

# PACK WC A POSER

# OREO-DUO SH/SV



## NOUVEAUTES - NEW MODEL - NOUVEAUTES - NEW MODEL

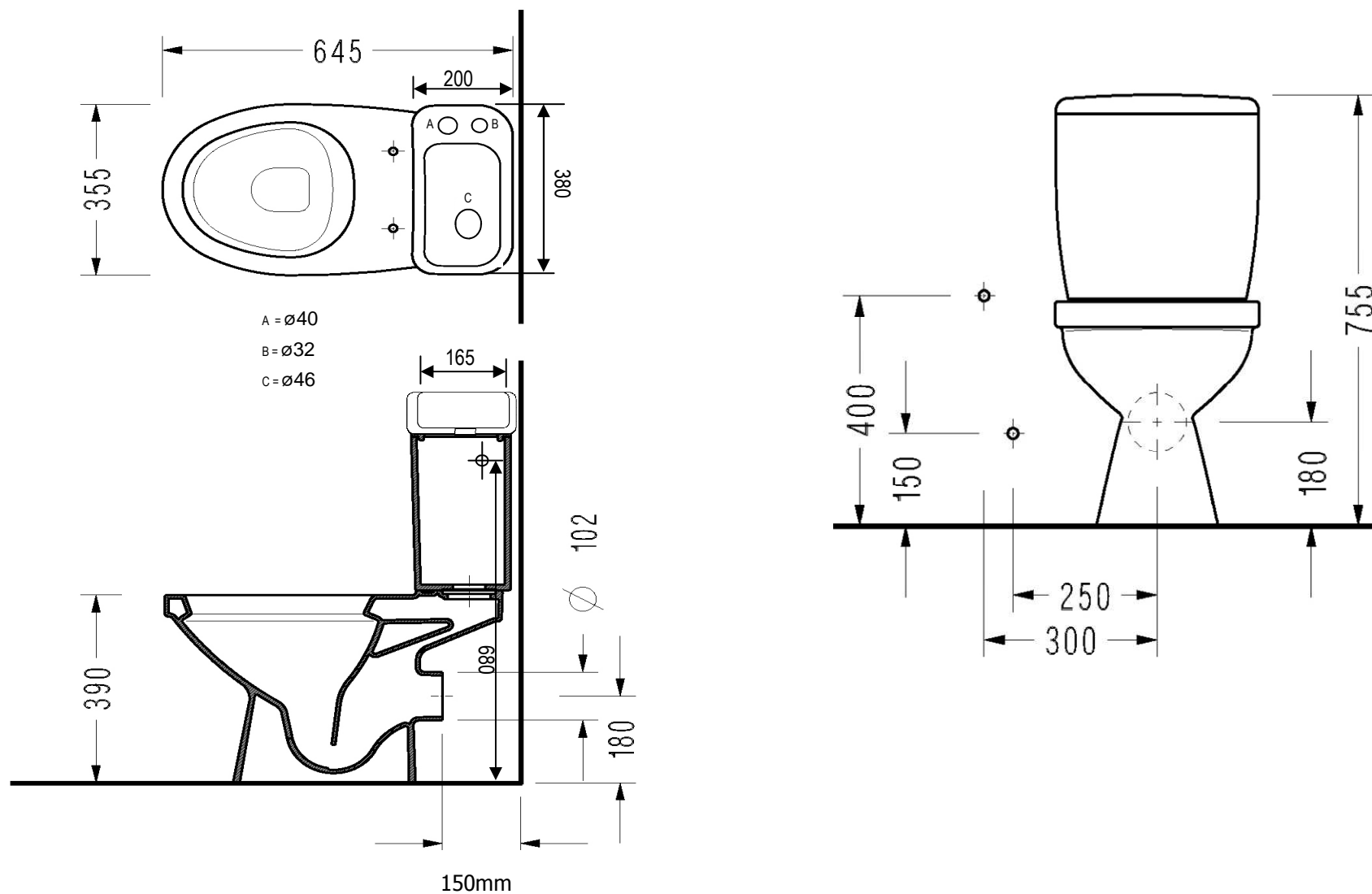
| Produit<br>Produit        | PACK WC AVEC LAVE MAINS   | PACK WC WITH HANDWASH BASIN INTEGRATED   |
|---------------------------|---|--|
| Composition<br>Include    | 1 CUVETTE CARENEE SH<br>"EXISTE EN SORTIE VERTICALE"<br>1 ABATTANT DUROPLAST 1960G<br>1 RESERVOIR<br>1 MECANISME 2,7/4L ECONOMISEUR D'EAU WIRQUIN<br>1 ROBINET FLOTTEUR SILENCIEUX WIRQUIN<br>1 LAVE MAINS INTEGRE<br>1 VIDAGE ECOULEMENT LIBRE<br>1 ROBINETTERIE CHROMEE<br>1 KIT FIXATIONS AU SOL | 1 PAN WC SH<br>"ALSO EXIST IN VERTICAL OUTLET"<br>1 SEAT COVER "DUROPLAST"<br>1 CISTERN<br>1 MECANISM 2,7/4L WATER SAVER "WIRQUIN"<br>1 SILENT FLOAT VALVE "WIRQUIN"<br>1 HANDWASH BASIN INTEGRATED<br>1 DRAIN<br>1 FAUCET<br>1 FLOOR FIXING |
| Matière<br>Material       | CERAMIQUE   | CERAMIC  |
| Coloris<br>Color          | BLANC   | WHITE  |
| Normes<br>Standards       | EN 997-A1   | EN 997-A1  |
| Dimensions<br>Sizes       | Larg(mm): 370<br>Prof(mm): 645<br>Haut(mm): 810   | Width(mm): 370<br>Depht(mm): 645<br>Height(mm): 810  |
| Poids (kg)<br>Weight (kg) | 35  | 35   |

**GD** GodartDistribution

Carvin - France - Téléphone : +33 (0)3 21 79 16 79 - Fax : +33 (0)3 21 74 13 33 - [www.godart-distribution.com](http://www.godart-distribution.com) - Email : [contact@godart-distribution.com](mailto:contact@godart-distribution.com)

# PACK WC A POSER

# OREO DUO SH



**GD** GodartDistribution

Carvin - France - Téléphone : +33 (0)3 21 79 16 79 - Fax : +33 (0)3 21 74 13 33 - [www.godart-distribution.com](http://www.godart-distribution.com) - Email : [contact@godart-distribution.com](mailto:contact@godart-distribution.com)