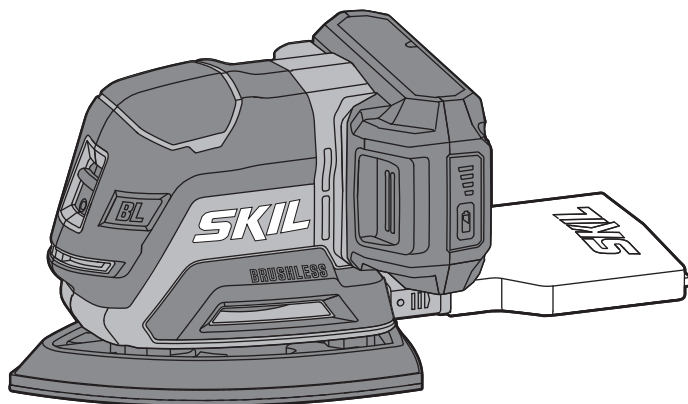


SKIL®

BRUSHLESS CORDLESS MULTI SANDER 3715 (SR1*3715**)



GB	ORIGINAL INSTRUCTIONS	8	UA	ОРИГІНАЛЬНА ІНСТРУКЦІЯ З ЕКСПЛУАТАЦІЇ	65
F	NOTICE ORIGINALE	11	GR	ΠΡΩΤΟΤΥΠΟ ΟΔΗΓΙΩΝ ΧΡΗΣΗΣ	69
D	ORIGINALBETRIEBSANLEITUNG	15	RO	INSTRUCȚIUNI DE FOLOSIRE ORIGINALE	73
NL	ORIGINELE GEBRUIKSAANWIJZING	18	BG	ОРИГИНАЛНО РЪКОВОДСТВО ЗА ЕКСПЛОАТАЦИЯ	76
S	BRUKSANVISNING I ORIGINAL	22	SK	PŔVODNÝ NÁVOD NA POUŽITIE	80
DK	ORIGINAL BRUGSANVISNING	25	HR	ORIGINALNE UPUTE ZA RAD	84
N	ORIGINAL BRUKSANVISNING	28	SRB	ORIGINALNO UPUTSTVO ZA RAD	87
FIN	ALKUPERÄISET OHJEET	32	SLO	IZVIRNA NAVODILA	90
E	MANUAL ORIGINAL	35	EST	ALGUPÄRANE KASUTUSJUHEND	94
P	MANUAL ORIGINAL	39	LV	ORIĢINĀLĀ LIETOŠANAS PAMĀCĪBA	97
I	ISTRUZIONI ORIGINALI	42	LT	ORIGINALI INSTRUKCIJA	101
H	EREDETI HASZNÁLATI UTASÍTÁS	46	MK	ИЗВОРНО УПАТСТВО ЗА РАБОТА	104
CZ	PŔVODNÍM NÁVODEM K POUŽÍVÁNÍ	50	AL	UDHËZIMET ORIGJINALE	108
TR	ORİJİNAL İŞLETME TALİMATI	53	AR	دليل الاستعمال	120
PL	INSTRUKCJA ORYGINALNA	56	FA	راهنمای اصلی	118
RU	ПОДЛИННИК РУКОВОДСТВА ПО ЭКСПЛУАТАЦИИ	60			



EAC




www.skil.com



<p>(GB)</p>	<p>EU Declaration of conformity</p> <p>Cordless multi sander Article number</p>	<p>We declare under our sole responsibility that the stated products comply with all applicable provisions of the directives and regulations listed below and are in conformity with the following standards.</p> <p>Technical file at: ★</p>
<p>(F)</p>	<p>Déclaration de conformité UE</p> <p>Ponceuse orbitale spéciale sans fil Numéro d'article</p>	<p>Nous déclarons sous notre propre responsabilité que les produits décrits sont en conformité avec les directives, règlements normatifs et normes énumérés ci-dessous.</p> <p>Dossier technique auprès de: ★</p>
<p>(D)</p>	<p>EU-Konformitätserklärung</p> <p>Akku-Exzenterschleifer Sachnummer</p>	<p>Wir erklären in alleiniger Verantwortung, dass die genannten Produkte allen einschlägigen Bestimmungen der nachfolgend aufgeführten Richtlinien und Verordnungen entsprechen und mit folgenden Normen übereinstimmen.</p> <p>Technische Unterlagen bei: ★</p>
<p>(NL)</p>	<p>EU-conformiteitsverklaring</p> <p>Oplaadbare excenterschuurmachine Productnummer</p>	<p>Wij verklaren op eigen verantwoordelijkheid dat de genoemde producten voldoen aan alle desbetreffende bepalingen van de hierna genoemde richtlijnen en verordeningen en overeenstemmen met de volgende normen.</p> <p>Technisch dossier bij: ★</p>
<p>(S)</p>	<p>EU-konformitetsförklaring</p> <p>Sladdlös slipmaskin med slumpvisa cirkelrörelser Produktnummer</p>	<p>Vi förklarar under eget ansvar att de nämnda produkterna uppfyller kraven i alla gällande bestämmelser i de nedan angivna direktiven och förordningarnas och att de stämmer överens med följande normer.</p> <p>Teknisk dokumentation: ★</p>
<p>(DK)</p>	<p>EU-overensstemmelseserklæring</p> <p>Batteridrevet vilkårlig orbitalsliber Typenummer</p>	<p>Vi erklærer som eneansvarlige, at det beskrevne produkt er i overensstemmelse med alle gældende bestemmelser i følgende direktiver og forordninger og opfylder følgende standarder.</p> <p>Tekniske bilag ved: ★</p>
<p>(N)</p>	<p>EU-samsvarserklæring</p> <p>Trådløs, tilfeldig bane slipmaskin uten Produktnummer</p>	<p>Vi erklærer under eneansvar at de nevnte produktene er i overensstemmelse med alle relevante bestemmelser i direktivene og forordningene nedenfor og med følgende standarder.</p> <p>Teknisk dokumentasjon hos: ★</p>
<p>(FIN)</p>	<p>EU-vaatimustenmukaisuusvakuutus</p> <p>Akkukäyttöinen hiomakone satunnaisella heiluriliikkeellä Tuotenumero</p>	<p>Vakuutamme täten, että mainitut tuotteet vastaavat kaikkia seuraavien direktiivien ja asetusten asiaankuuluvia vaatimuksia ja ovat seuraavien standardien vaatimusten mukaisia.</p> <p>Tekniset asiakirjat saatavana: ★</p>
<p>(E)</p>	<p>Declaración de conformidad UE</p> <p>Lijadora orbital aleatoria sin cable Número de artículo</p>	<p>Declaramos bajo nuestra exclusiva responsabilidad, que los productos nombrados cumplen con todas las disposiciones correspondientes de las directivas y los reglamentos mencionados a continuación y están en conformidad con las siguientes normas.</p> <p>Documentos técnicos de: ★</p>
<p>(P)</p>	<p>Declaração de conformidade CE</p> <p>Lixadora orbital aleatória sem fios Número do produto</p>	<p>Declaramos sob nossa exclusiva responsabilidade que os produtos mencionados cumprem todas as disposições e os regulamentos indicados e estão em conformidade com as seguintes normas.</p> <p>Documentação técnica pertencente à: ★</p>
<p>(I)</p>	<p>Dichiarazione di conformità UE</p> <p>Levigatrice rotorbitale senza filo Codice prodotto</p>	<p>Dichiariamo sotto la nostra piena responsabilità che i prodotti indicati sono conformi a tutte le disposizioni pertinenti delle direttive e dei regolamenti elencati di seguito, nonché alle seguenti normative.</p> <p>Documentazione tecnica presso: ★</p>
<p>(H)</p>	<p>EU konformitási nyilatkozat</p> <p>Vezeték nélküli excentercsiszoló Cikkszám</p>	<p>Egyedüli felelőséggel kijelentjük, hogy a megnevezett termékek megfelelnek az alábbiakban felsorolásra kerülő irányelvek és rendeletek valamennyi idevágó előírásainak és megfelelnek a következő szabványoknak.</p> <p>Műszaki dokumentumok megőrzési pontja: ★</p>
<p>(CZ)</p>	<p>EU prohlášení o shodě</p> <p>Akumulátorová kruhová bruska Objednací číslo</p>	<p>Prohlašujeme na výhradní zodpovědnost, že uvedený výrobek splňuje všechna příslušná ustanovení níže uvedených směrnic a nařízení a je v souladu s následujícími normami.</p> <p>Technické podklady u: ★</p>
<p>(TR)</p>	<p>AB Uygunluk beyanı</p> <p>Eksantrik zımpara Ürün kodu</p>	<p>Tek sorumlu olarak, tanımlanan ürünün aşağıdaki yönetmelik ve direktiflerin geçerli bütün hükümlerine ve aşağıdaki standartlara uygun olduğunu beyan ederiz.</p> <p>Teknik belgelerin bulunduğu yer: ★</p>
<p>(PL)</p>	<p>Deklaracja zgodności UE</p> <p>Akumulatorowa szlifierka oscylacyjna Numer katalogowy</p>	<p>Oświadczamy z pełną odpowiedzialnością, że niniejsze produkty odpowiadają wszystkim wymaganiom poniżej wyszczególnionych dyrektyw i rozporządzeń, oraz że są zgodne z następującymi normami.</p> <p>Dokumentacja techniczna: ★</p>
<p>(RU)</p>	<p>Заявление о соответствии ЕС</p> <p>Аккумуляторная эксцентрировая шлифовальная машина Товарный номер</p>	<p>Мы заявляем под нашу единоличную ответственность, что названные продукты соответствуют всем действующим предписаниям нижеуказанных директив и распоряжений, а также нижеуказанных норм.</p> <p>Техническая документация хранится у: ★</p>
<p>(UA)</p>	<p>Заява про відповідність ЄС</p> <p>Бездротова эксцентрикова шліфувальна машина Товарний номер</p>	<p>Ми заявляємо під нашу одноособову відповідальність, що названі вироби відповідають усім чинним положенням нищезначених директив і розпоряджень, а також нижчеозначеним нормам.</p> <p>Технічна документація зберігається у: ★</p>

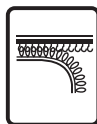
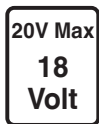
(GR)	Δήλωση πιστότητας ΕΕ Επιαναφορτιζόμενο εκκεντρο τριβείο Αριθμός ευρετηρίου	Δηλώνουμε με αποκλειστική μας ευθύνη, ότι τα αναφερόμενα προϊόντα αντιστοιχούν σε όλες τις σχετικές διατάξεις των πιο κάτω αναφερόμενων οδηγιών και κανονισμών και ταυτίζονται με τα ακόλουθα πρότυπα. Τεχνικά έγγραφα στη: *	
(RO)	Declarație de conformitate UE Șlefuitor cu excentric cu acumulator Număr de identificare	Declarăm pe proprie răspundere că produsele menționate corespund tuturor dispozițiilor relevante ale directivelor și reglementărilor enumerate în cele ce urmează și sunt în conformitate cu următoarele standarde. Documentație tehnică la: *	
(BG)	ЕС декларация за съответствие Акумулаторен ексцентършлайф Каталожен номер	С пълна отговорност ние декларираме, че посочените продукти отговарят на всички валидни изисквания на директивите и разпоредбите по-долу и съответства на следните стандарти. Техническа документация при: *	
(SK)	EU vyhlásenie o zhode Bezdrôtová excentrická bruska Vecné číslo	Vyhlasujeme na výhradnú zodpovednosť, že uvedený výrobok spĺňa všetky príslušné ustanovenia nižšie uvedených smerníc a nariadení a je v súlade s nasledujúcimi normami. Technické podklady má spoločnosť: *	
(HR)	EU izjava o skladnosti Bežična ekscentrična brusilica Kataloški broj	Pod punom odgovornošću izjavljujemo da navedeni proizvodi odgovaraju svim relevantnim odredbama direktiva i propisima navedenima u nastavku i da su skladni sa sljedećim normama. Tehnička dokumentacija se može dobiti kod: *	
(SRB)	EU-izjava o usaglašenosti Bežična šlajferica sa randomiziranom orbitom Broj predmeta	Na sopstvenu odgovornost izjavljujemo, da navedeni proizvodi odgovaraju svim dotičnim odredbama naknadno navedenih smernica u uredbama i da su u skladu sa sledećim standardima. Tehnička dokumentacija kod: *	
(SLO)	Izjava o skladnosti ES Brezžični izsredni brusilnik Številka artikla	Izjavljamo pod izključno odgovornostjo, da je omenjen izdelek v skladu z vsemi relevantnimi določili direktiv in uredb ter ustreza naslednjim standardom. Tehnična dokumentacija pri: *	
(EST)	EL-vastavusdeklaratsioon Juhtmeta eksentriklihvmasinad Tootenumber	Kinnitame ainuvastutajatena, et nimetatud tooted vastavad järgnevalt loetletud direktiivide ja määruste kõiki dele asjaomastele nõuetele ja on kooskõlas järgmistega normidega. Tehnilised dokumendid saadaval: *	
(LV)	Deklarācija par atbilstību EK standartiem Bezvadu ekscentra slīpmašīna Izstrādājuma numurs	Mēs ar pilnu atbildību paziņojam, ka šeit aplūkote izstrādājumi atbilst visiem tālāk minētajās direktīvās un rīkojumos ietvertajām saistošajām noslādnēm, kā arī sekojošiem standartiem. Tehnisķā dokumentācija no: *	
(LT)	ES atitikties deklaracija Akumulatorinės atsitiktiniu būdu besisukančios juostinės šlifavimo staklės Gaminio numeris	Atsakingai pareiškiame, kad išvardyti gaminiai atitinka visus privalomus žemiau nurodytų direktyvų ir reglamentų reikalavimus ir šiuos standartus. Techninė dokumentacija saugoma: *	
(MK)	EU-Изјава за сообразност Безжична шмиргла со произволна орбита Број на артикл	Со целосна одговорност изјавуваме, дека опишаните производи се во согласност со сите релевантни одредби на следните регулативи и прописи и се во согласност со следните норми. Техничка документација кај: *	
(AL)	EU Deklarata e konformitetit Zmerilues me bateri Numri i nenit	Ne deklarojmë me përgjegjësinë tonë të vetme se produktet e paraqitura janë në përputhje me të gjitha dispozitat e zbatueshme të direktivave dhe rregulloreve të listuara më poshtë dhe janë në përputhje me standardet si më poshtë. Dosja teknike në: *	
	3715	SR1*3715**	2006/42/EC 2014/30/EU 2011/65/EU EN 62841-1:2015 + A11:2022 EN 62841-2-4:2014 EN 55014-1:2021 EN 55014-2:2021 EN 63000:2018
			SKIL [®] Skil BV Rithmeesterpark 22 A1 4838 GZ Breda The Netherlands
			Olaf Dijkgraaf Approval Manager 
			Skil BV, Rithmeesterpark 22 A1, 4838 GZ Breda, NL 30.01.2024



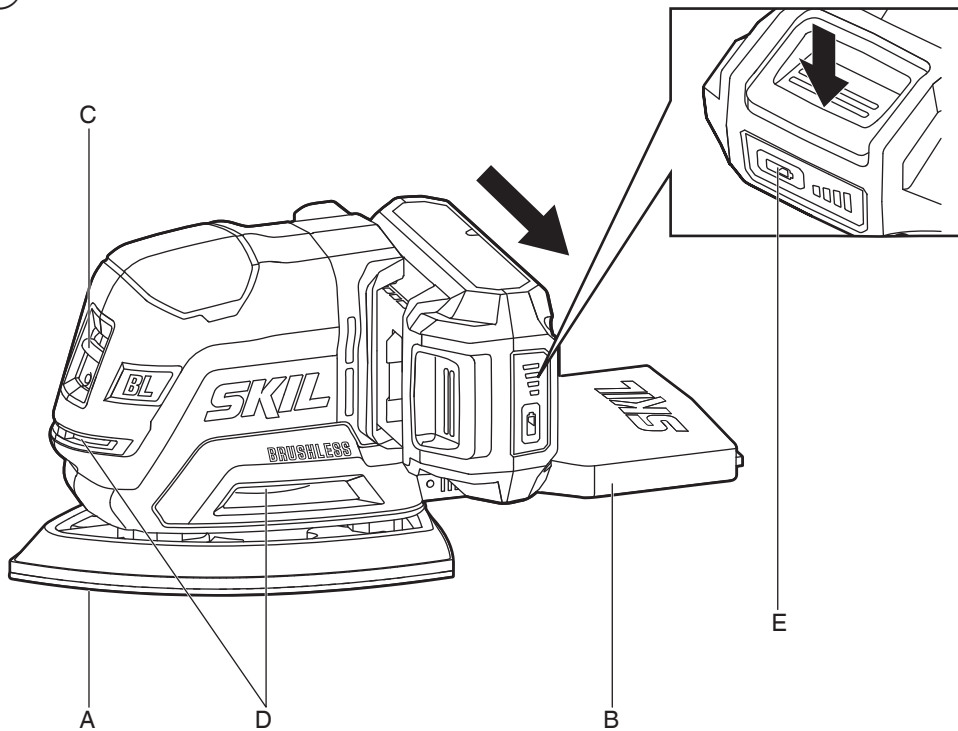
Declaration of Conformity		We declare under our sole responsibility that the stated products comply with all applicable provisions of the directives and regulations listed below and are in conformity with the following standards
Cordless multi sander	Article number	Technical file at: Chervon Europe Ltd., 34 Bridge Street, Reading, RG1 2LU, United Kingdom
3715	SR1*3715**	Supply of Machinery (Safety) Regulations 2008 (SI 2008/1597) Electromagnetic Compatibility Regulations 2016 (SI 2016/1091) The Restriction of the Use of Certain Hazardous Substances in Electrical and Electronic Equipment Regulations 2012 (SI 2012/3032) EN 62841-1:2015 + A11:2022 EN 62841-2-4:2014 EN 55014-1:2021 EN 55014-2:2021 EN 63000:2018
		SKIL ® Chervon Europe Ltd., 34 Bridge Street, Reading, RG1 2LU, United Kingdom, as authorized representative (in terms of above regulations) acting on behalf of Skil BV, Rithmeesterpark 22 A1, 4838GZ Breda, The Netherlands
		James McCrory Technical Service Manager  Place of issue: Reading Date of issue: 30/01/2024

1

3715



2



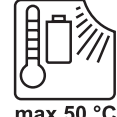
3



4



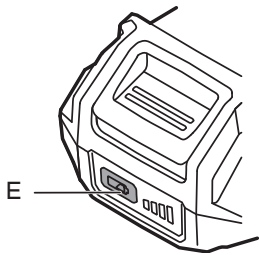
5



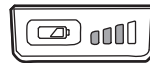
6



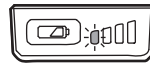
7



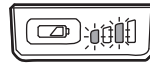
7 a



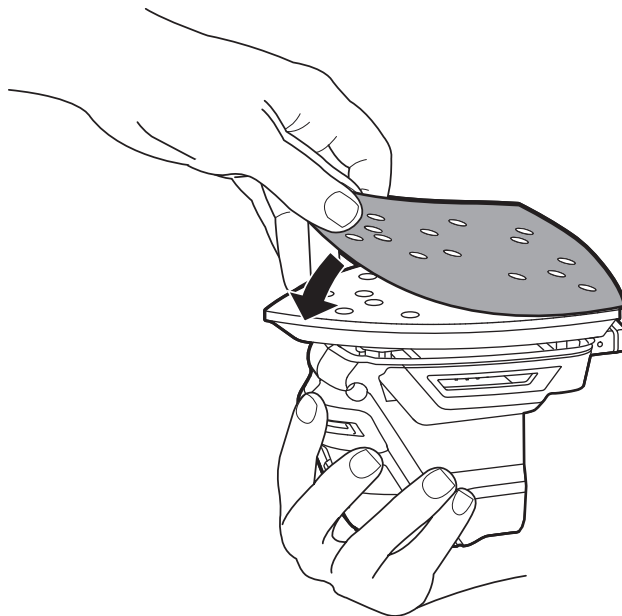
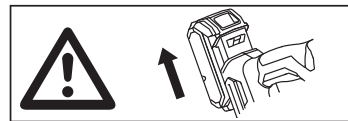
7 b



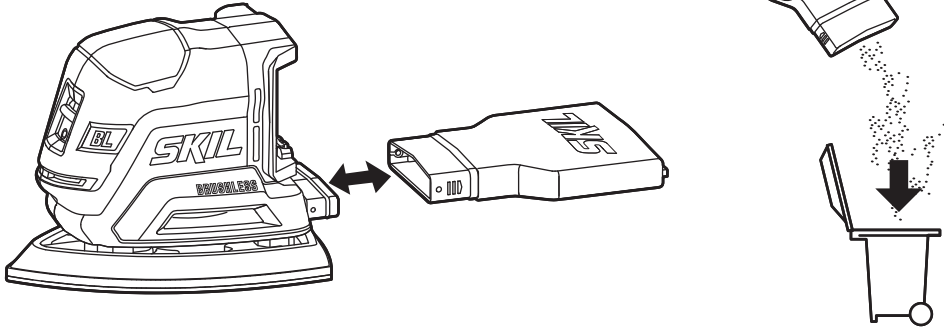
7 c



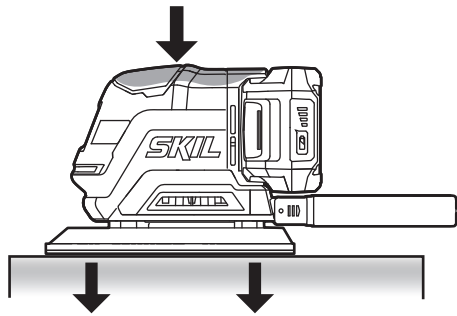
8



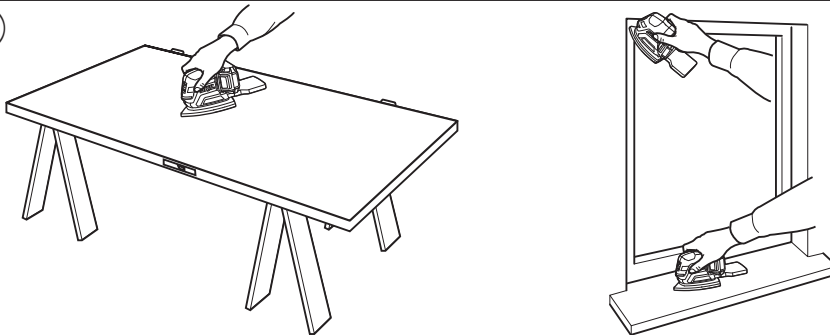
9



10



11



ACCESSORIES



WWW.SKIL.COM

Brushless cordless multi sander 3715

INTRODUCTION

- This tool is intended for dry sanding of wood, plastic, metal, filler and painted surfaces
- This tool is not intended for sanding gypsum
- Read and save this instruction manual ③

TECHNICAL DATA ①

TOOL ELEMENTS ②

- A Backing pad
- B Dust bag
- C On/off switch
- D Ventilation slots
- E Battery level indicator

SAFETY

GENERAL POWER TOOL SAFETY WARNINGS

⚠ WARNING Read all safety warnings, instructions, illustrations and specifications provided with this power tool. Failure to follow all instructions listed below may result in electric shock, fire and/or serious injury.

Save all warnings and instructions for future reference.

The term "power tool" in the warnings refers to your mains-operated (corded) power tool or battery-operated (cordless) power tool.

1) WORK AREA SAFETY

- a) **Keep work area clean and well lit.** Cluttered or dark areas invite accidents.
- b) **Do not operate power tools in explosive atmospheres, such as in the presence of flammable liquids, gases or dust.** Power tools create sparks which may ignite the dust or fumes.
- c) **Keep children and bystanders away while operating a power tool.** Distractions can cause you to lose control.

2) ELECTRICAL SAFETY

- a) **Power tool plugs must match the outlet. Never modify the plug in any way. Do not use any adapter plugs with earthed (grounded) power tools.** Unmodified plugs and matching outlets will reduce risk of electric shock.
- b) **Avoid body contact with earthed or grounded surfaces such as pipes, radiators, ranges and refrigerators.** There is an increased risk of electric shock if your body is earthed or grounded.
- c) **Do not expose power tools to rain or wet conditions.** Water entering a power tool will increase the risk of electric shock.
- d) **Do not abuse the cord. Never use the cord for carrying, pulling or unplugging the power tool. Keep cord away from heat, oil, sharp edges or moving parts.** Damaged or entangled cords increase the risk of electric shock.
- e) **When operating a power tool outdoors, use an**

extension cord suitable for outdoor use. Use of a cord suitable for outdoor use reduces the risk of electric shock.

- f) **If operating a power tool in a damp location is unavoidable, use a residual current device (RCD) protected supply.** Use of an RCD reduces the risk of electric shock.
- #### 3) PERSONAL SAFETY
- a) **Stay alert, watch what you are doing and use common sense when operating a power tool. Do not use a power tool while you are tired or under the influence of drugs, alcohol or medication.** A moment of inattention while operating power tools may result in serious personal injury.
 - b) **Use personal protective equipment. Always wear eye protection.** Protective equipment such as a dust mask, non-skid safety shoes, hard hat, or hearing protection used for appropriate conditions will reduce personal injuries.
 - c) **Prevent unintentional starting. Ensure the switch is in the off-position before connecting to power source and/or battery pack, picking up or carrying the tool.** Carrying power tools with your finger on the switch or energising power tools that have the switch on invites accidents.
 - d) **Remove any adjusting key or wrench before turning the power tool on.** A wrench or a key left attached to a rotating part of the power tool may result in personal injury.
 - e) **Do not overreach. Keep proper footing and balance at all times.** This enables better control of the power tool in unexpected situations.
 - f) **Dress properly. Do not wear loose clothing or jewellery. Keep your hair and clothing away from moving parts.** Loose clothes, jewellery or long hair can be caught in moving parts.
 - g) **If devices are provided for the connection of dust extraction and collection facilities, ensure these are connected and properly used.** Use of dust collection can reduce dust-related hazards.
 - h) **Do not let familiarity gained from frequent use of tools allow you to become complacent and ignore tool safety principles.** A careless action can cause severe injury within a fraction of a second.
- #### 4) POWER TOOL USE AND CARE
- a) **Do not force the power tool. Use the correct power tool for your application.** The correct power tool will do the job better and safer at the rate for which it was designed.
 - b) **Do not use the power tool if the switch does not turn it on and off.** Any power tool that cannot be controlled with the switch is dangerous and must be repaired.
 - c) **Disconnect the plug from the power source and/or remove the battery pack, if detachable, from the power tool before making any adjustments, changing accessories, or storing power tools.** Such preventive safety measures reduce the risk of starting the power tool accidentally.
 - d) **Store idle power tools out of the reach of children and do not allow persons unfamiliar with the power tool or these instructions to operate the power tool.** Power tools are dangerous in the hands of untrained users.
 - e) **Maintain power tools and accessories. Check for**

misalignment or binding of moving parts, breakage of parts and any other condition that may affect the power tool's operation. If damaged, have the power tool repaired before use. Many accidents are caused by poorly maintained power tools.

- f) **Keep cutting tools sharp and clean.** Properly maintained cutting tools with sharp cutting edges are less likely to bind and are easier to control.
 - g) **Use the power tool, accessories and tool bits etc., in accordance with these instructions, taking into account the working conditions and the work to be performed.** Use of the power tool for operations different from those intended could result in a hazardous situation.
 - h) **Keep handles and grasping surfaces dry, clean and free from oil and grease.** Slippery handles and grasping surfaces do not allow for safe handling and control of the tool in unexpected situations.
- 5) BATTERY TOOL USE AND CARE**
- a) **Recharge only with the charger specified by the manufacturer.** A charger that is suitable for one type of battery pack may create a risk of fire when used with another battery pack.
 - b) **Use power tools only with specifically designated battery packs.** Use of any other battery packs may create a risk of injury and fire.
 - c) **When battery pack is not in use, keep it away from other metal objects like paper clips, coins, keys, nails, screws, or other small metal objects that can make a connection from one terminal to another.** Shorting the battery terminals together may cause burns or a fire.
 - d) **Under abusive conditions, liquid may be ejected from the battery; avoid contact. If contact accidentally occurs, flush with water. If liquid contacts eyes, additionally seek medical help.** Liquid ejected from the battery may cause irritation or burns.
 - e) **Do not use a battery pack or tool that is damaged or modified.** Damaged or modified batteries may exhibit unpredictable behaviour resulting in fire, explosion or risk of injury.
 - f) **Do not expose a battery pack or tool to fire or excessive temperature.** Exposure to fire or temperature above 130°C may cause explosion.
 - g) **Follow all charging instructions and do not charge the battery pack or tool outside the temperature range specified in the instructions.** Charging improperly or at temperatures outside the specified range may damage the battery and increase the risk of fire.

6) SERVICE

- a) **Have your power tool serviced by a qualified repair person using only identical replacement parts.** This will ensure that the safety of the power tool is maintained.
- b) **Never service damaged battery packs.** Service of battery packs should only be performed by the manufacturer or authorized service providers.

SAFETY INSTRUCTIONS FOR SANDERS

GENERAL

- This tool should not be used by people under the age of 16 years
- This tool is not suitable for wet sanding
- **Do not work materials containing asbestos** (asbestos

is considered carcinogenic)

- Remove battery from tool before making any adjustments or changing accessories

ACCESSORIES

- SKIL can assure flawless functioning of the tool only when original accessories are used
- Do not continue to use worn, torn or heavily clogged sanding sheets

BEFORE USE

- Avoid damage that can be caused by screws, nails and other elements in your workpiece; remove them before you start working
- The noise level when working can exceed 85 dB(A); wear ear protection
- Dust from material such as paint containing lead, some wood species, minerals and metal may be harmful (contact with or inhalation of the dust may cause allergic reactions and/or respiratory diseases to the operator or bystanders); **wear a dust mask and work with a dust extraction device when connectable**
- Certain kinds of dust are classified as carcinogenic (such as oak and beech dust) especially in conjunction with additives for wood conditioning; **wear a dust mask and work with a dust extraction device when connectable**
- Follow the dust-related national requirements for the materials you want to work with
- Wear protective gloves, safety glasses, close-fitting clothes and hair protection (for long hair)
- **Secure the workpiece** (a workpiece clamped with clamping devices or in a vice is held more securely than by hand)
- When sanding metal, sparks are generated; do not use dust box and keep other persons and combustible material from work area

DURING USE

- Do not touch the moving sanding sheet
- In case of electrical or mechanical malfunction, immediately switch off the tool and remove battery

AFTER USE

- When you put away the tool, switch off the motor and ensure that all moving parts have come to a complete standstill

BATTERIES

- **The battery supplied, if any, is partially charged.** (to ensure full capacity of the battery, completely charge the battery in the battery charger before using your power tool for the first time)
- **Only use the following batteries and chargers with this tool**
 - SKIL battery: BR1*31****
 - SKIL charger: CR1*31****
- Do not use the battery when damaged; it should be replaced
- Do not disassemble the battery
- Do not expose tool/battery to rain
- Permitted ambient temperature (tool/charger/battery):
 - when charging 4...40°C
 - during operation -20...+50°C
 - during storage -20...+50°C

EXPLANATION OF SYMBOLS ON TOOL/BATTERY

- ③ Read the instruction manual before use
- ④ Batteries may explode when disposed of in fire, so do not burn battery for any reason
- ⑤ Store tool/charger/battery in locations where temperature

will not exceed 50°C

- ⑥ Do not dispose of electric tools and batteries together with household waste material

USE

- Charging battery
 - ! **read the safety warnings and instructions provided with the charger**
- Removing/installing the battery ②
- Battery level indicator ⑦
 - press the battery level indicator button E to show the current battery level ⑦a
 - ! **when the lowest level of the battery indicator starts flashing after pressing button E ⑦b, the battery is empty**
 - ! **when 2 levels of the battery indicator start flashing after pressing button E ⑦c, the battery is not within the allowable operating temperature range**
- Battery protection

The tool is suddenly being switched off or prevented from being switched on, when

 - **the load is too high** --> remove load and restart
 - **the battery temperature is not within the allowable operating temperature range of -20 to +50°C** --> 2 levels of the battery level indicator start flashing when pressing button E ⑦c; wait until battery has returned within the allowable operating temperature range
 - **the battery is nearly empty (to protect against deep discharge)** --> a low battery level or flashing low battery level ⑦b is shown by the battery level indicator when pressing button E; charge battery
 - ! **do not continue to press the on/off switch after the tool is switched off automatically; battery may be damaged**
- Mounting of sanding sheet ⑧
 - ! **remove battery from tool before making any adjustments or changing accessories**
 - ! **the dust suction requires the use of perforated sanding sheets**
 - ! **perforation in sanding sheet should correspond with perforation in sanding foot**
 - ! **replace worn sanding sheets in time**
 - ! **always use the tool with the total sanding surface covered with sanding paper**
 - mount VELCRO sanding sheet as illustrated
- Dust suction
 - ! **do not use dust bag when sanding metal**
 - Dust bag ⑨
 - mount dust bag B
 - empty dust bag regularly for optimal dust pick-up performance
- On/off switch
 - switch on/off the tool by pushing switch C ② forward/backwards
 - ! **before the sanding surface reaches the workpiece, you should switch on the tool**
 - ! **before switching off the tool, you should lift it from the workpiece**
- Holding and guiding the tool ⑩
 - ! **while working, always hold the tool at the grey-coloured grip area(s)**
 - guide the tool parallel to the working surface
 - do not apply too much pressure on the tool; let the

- sanding surface do the work for you
- do not tilt the tool in order to avoid unwanted sanding marks
- keep ventilation slots D ② uncovered

APPLICATION ADVICE

- Use the tool for sanding large surfaces, corners and edges ⑪
- Never use the same sanding sheet for wood and metal
- Recommended sanding sheet grits:
 - for removing paint and for sanding of extremely rough wood use coarse grit sizes (40, 60)
 - for sanding of rough or plain wood use medium grit sizes (80, 100, 120)
 - for smoothing of wood and surfaces with old paint as well as for finishing of bare wood use fine grit sizes (180, 240, 320)
- Use different grit sizes when the working surface is rough:
 - start sanding with coarse or medium grit
 - finish with fine grit
- For more information see www.skil.com

MAINTENANCE / SERVICE

- Always keep tool and cord clean (especially ventilation slots D ②)
 - remove adhering sanding dust with a brush
 - remove battery from tool before cleaning
- If the tool should fail despite the care taken in manufacturing and testing procedures, repair should be carried out by an after-sales service centre for SKIL power tools
 - send the tool **undismantled** together with proof of purchase to your dealer or the nearest SKIL service station (addresses as well as the service diagram of the tool are listed on www.skil.com)
- Be aware that damage due to overload or improper handling of the tool will be excluded from the warranty (for the SKIL warranty conditions see www.skil.com or ask your dealer)

ENVIRONMENT


Only for EU countries

- **Do not dispose of electric tools, accessories and packaging together with household waste material**
 - in observance of European Directive 2012/19/EC on waste of electric and electronic equipment and its implementation in accordance with national law, electric tools that have reached the end of their life must be collected separately and returned to an environmentally compatible recycling facility
 - symbol ⑥ will remind you of this when the need for disposing occurs
 - ! **prior to disposal protect battery terminals with heavy tape to prevent short-circuit**

Only for UK countries

- **Do not dispose of electric tools, accessories and packaging together with household waste material**
 - in observance of on Waste Electric and Electronic Equipment Regulations 2013 (SI 2013/3113), electric tools that have reached the end of their life must be collected separately and returned to an environmentally

compatible recycling facility

- symbol  will remind you of this when the need for disposing occurs

! prior to disposal protect battery terminals with heavy tape to prevent short-circuit


NOISE / VIBRATION

- Measured in accordance with EN 62841 the sound pressure level of this tool is 82 dB(A) and the sound power level 90 dB(A) (uncertainty K = 3 dB), and the vibration 3.46 m/s² (triax vector sum; uncertainty K = 1.5 m/s²)
 - The vibration emission level has been measured in accordance with a standardised test given in EN 62841; it may be used to compare one tool with another and as a preliminary assessment of exposure to vibration when using the tool for the applications mentioned
 - using the tool for different applications, or with different or poorly maintained accessories, may significantly **increase** the exposure level
 - the times when the tool is switched off or when it is running but not actually doing the job, may significantly **reduce** the exposure level
- ! protect yourself against the effects of vibration by maintaining the tool and its accessories, keeping your hands warm, and organizing your work patterns**

F

Multiponceuse à moteur sans balai sans fil 3715

INTRODUCTION

- Cet outil est conçu pour le ponçage à sec du bois, plastique, métal et mastic et des surfaces peintes
- Cet outil n'est pas conçu pour le ponçage du gypse
- Lisez et conservez ce manuel d'instruction 

CARACTERISTIQUES TECHNIQUES

ELEMENTS DE L'OUTIL

- A Support plateau
- B Sac à poussière
- C Interrupteur marche/arrêt
- D Fentes de ventilation
- F Indicateur de niveau de charge de la batterie

SECURITE

AVERTISSEMENTS DE SECURITE GENERAUX POUR L'OUTIL ELECTRIQUE

! AVERTISSEMENT Lisez tous les avertissements de sécurité, toutes les instructions, illustrations et caractéristiques fournies avec cet outil électrique.

Le non-respect du suivi de toutes les instructions reprises ci-dessous peut provoquer un électrochoc, un incendie et/ou des blessures graves.

Conservez tous les avertissements et toutes les

instructions pour pouvoir s'y reporter ultérieurement.

Le terme "outil électrique" dans les avertissements se rapporte à des outils électriques raccordés au secteur (avec câble de raccordement) et à des outils électriques à batterie (sans câble de raccordement).

1) SECURITE DE LA ZONE DE TRAVAIL

- a) **Maintenez l'endroit de travail propre et bien éclairé.**
Un lieu de travail en désordre ou mal éclairé augmente le risque d'accidents.
- b) **N'utilisez pas l'outil électrique dans un environnement présentant des risques d'explosion et où se trouvent des liquides, des gaz ou poussières inflammables.** Les outils électriques génèrent des étincelles risquant d'enflammer les poussières ou les vapeurs.
- c) **Tenez les enfants et autres personnes éloignés durant l'utilisation de l'outil électrique.** En cas d'inattention vous risquez de perdre le contrôle sur l'outil électrique.

2) SECURITE RELATIVE AU SYSTEME ELECTRIQUE

- a) **La fiche de secteur de l'outil électrique doit être appropriée à la prise de courant. Ne modifiez en aucun cas la fiche. N'utilisez pas de fiches d'adaptateur avec des outils électriques avec mise à la terre.** Les fiches non modifiées et les prises de courant appropriées réduisent le risque de choc électrique.
 - b) **Évitez le contact physique avec des surfaces mises à la terre telles que tuyaux, radiateurs, fours et réfrigérateurs.** Il y a un risque élevé de choc électrique au cas où votre corps serait relié à la terre.
 - c) **N'exposez pas l'outil électrique à la pluie ou à l'humidité.** La pénétration d'eau dans un outil électrique augmente le risque d'un choc électrique.
 - d) **N'utilisez pas le câble à d'autres fins que celles prévues, n'utilisez pas le câble pour porter l'outil électrique ou pour l'accrocher ou encore pour le débrancher de la prise de courant. Maintenez le câble éloigné des sources de chaleur, des parties grasses, des bords tranchants ou des parties de l'outil électrique en rotation.** Un câble endommagé ou torsadé augmente le risque d'un choc électrique.
 - e) **Au cas où vous utiliseriez l'outil électrique à l'extérieur, utilisez une rallonge autorisée homologuée pour les applications extérieures.** L'utilisation d'une rallonge électrique homologuée pour les applications extérieures réduit le risque d'un choc électrique.
 - f) **Si l'usage d'un outil dans un emplacement humide est inévitable, utilisez un disjoncteur de fuite à la terre.** L'utilisation d'un disjoncteur de fuite à la terre réduit le risque de choc électrique.
- #### 3) SECURITE DES PERSONNES
- a) **Restez vigilant, surveillez ce que vous faites. Faites preuve de bon sens en utilisant l'outil électrique. N'utilisez pas l'outil électrique lorsque vous êtes fatigué ou après avoir consommé de l'alcool, des drogues ou avoir pris des médicaments.** Un moment d'inattention lors de l'utilisation de l'outil électrique peut entraîner de graves blessures sur les personnes.
 - b) **Portez des équipements de protection. Portez**

- toujours des lunettes de protection.** Le fait de porter des équipements de protection personnels tels que masque anti-poussières, chaussures de sécurité antidérapantes, casque de protection ou protection acoustique suivant le travail à effectuer, réduit le risque de blessures.
- c) **Évitez tout démarrage intempestif. S'assurez que l'interrupteur est en position arrêt avant de brancher l'outil au secteur et/ou au bloc de batteries, de le ramasser ou de le porter.** Porter les outils en ayant le doigt sur l'interrupteur ou brancher des outils dont l'interrupteur est en position marche est source d'accidents.
- d) **Enlevez tout outil de réglage ou toute clé avant de mettre l'outil électrique en fonctionnement.** Une clé ou un outil se trouvant sur une partie en rotation peut causer des blessures.
- e) **Ne surestimez pas vos capacités. Veillez à garder toujours une position stable et équilibrée.** Ceci vous permet de mieux contrôler l'outil électrique dans des situations inattendues.
- f) **Portez des vêtements appropriés. Ne portez pas de vêtements amples ni de bijoux. Gardez les cheveux et les vêtements à distance des parties en mouvement.** Des vêtements amples, des bijoux ou des cheveux longs peuvent être happés par des pièces en mouvement.
- g) **Si des dispositifs servant à aspirer ou à recueillir les poussières doivent être utilisés, vérifiez que ceux-ci soient effectivement raccordés et qu'ils sont correctement utilisés.** L'utilisation des collecteurs de poussière réduit les dangers dus aux poussières.
- h) **Restez vigilant et ne pas négligez les principes de sécurité de l'outil sous prétexte que vous avez l'habitude de l'utiliser.** Une fraction de seconde d'inattention peut provoquer une blessure grave.
- 4) UTILISATION ET EMPLOI SOIGNEUX DE L'OUTIL ELECTRIQUE**
- a) **Ne surchargez pas l'outil électrique. Utilisez l'outil électrique approprié au travail à effectuer.** Avec l'outil électrique approprié, vous travaillerez mieux et avec plus de sécurité à la vitesse pour laquelle il est prévu.
- b) **N'utilisez pas un outil électrique dont l'interrupteur est défectueux.** Un outil électrique qui ne peut plus être mis en ou hors fonctionnement est dangereux et doit être réparé.
- c) **Débranchez la fiche de la source d'alimentation et/ ou enlevez le bloc de batteries, s'il est amovible, avant tout réglage, changement d'accessoires ou avant de ranger l'outil électrique.** De telles mesures de sécurité préventives réduisent le risque de démarrage accidentel de l'outil électrique.
- d) **Gardez les outils électriques non utilisés hors de portée des enfants. Ne permettez pas l'utilisation de l'outil électrique à des personnes qui ne se sont pas familiarisées avec celui-ci ou qui n'ont pas lu ces instructions.** Les outils électriques sont dangereux lorsqu'ils sont utilisés par des personnes non initiées.
- e) **Observez la maintenance des outils électriques et des accessoires. Vérifiez que les parties en mouvement fonctionnent correctement et qu'elles ne soient pas coincées, et contrôlez si des parties sont cassées ou endommagées de telle sorte que le bon fonctionnement de l'outil électrique s'en trouve entravé. Faites réparer les parties endommagées avant d'utiliser l'outil électrique.** De nombreux accidents sont dus à des outils électriques mal entretenus.
- f) **Maintenez les outils de coupe aiguisés et propres.** Des outils soigneusement entretenus avec des bords tranchants bien aiguisés se coincent moins souvent et peuvent être guidés plus facilement.
- g) **Utilisez l'outil électrique, les accessoires, les outils à monter etc. conformément à ces instructions. Tenez compte également des conditions de travail et du travail à effectuer.** L'utilisation de l'outil électrique à d'autres fins que celles prévues peut entraîner des situations dangereuses.
- h) **Il faut que les poignées et les surfaces de préhension restent sèches, propres et dépourvues d'huiles et de graisses.** Des poignées et des surfaces de préhension glissantes rendent impossibles la manipulation et le contrôle en toute sécurité de l'outil dans les situations inattendues.
- 5) UTILISATION ET EMPLOI SOIGNEUX DES APPAREILS SANS FIL**
- a) **Ne chargez les accumulateurs que dans des chargeurs recommandés par le fabricant.** Un chargeur approprié à un type spécifique d'accumulateur peut engendrer un risque d'incendie lorsqu'il est utilisé avec d'autres accumulateurs.
- b) **Dans les outils électriques, n'utilisez que les accumulateurs spécialement prévus pour celui-ci.** L'utilisation de tout autre accumulateur peut entraîner des blessures et des risques d'incendie.
- c) **Tenez l'accumulateur non-utilisé à l'écart de toutes sortes d'objets métalliques tels qu'agrafes, pièces de monnaie, clés, clous, vis ou autres, étant donné qu'un pontage peut provoquer un court-circuit.** Un court-circuit entre les contacts d'accu peut provoquer des brûlures ou un incendie.
- d) **En cas d'utilisation abusive, du liquide peut sortir de l'accumulateur. Évitez tout contact avec ce liquide. En cas de contact par mégarde, rincez soigneusement avec de l'eau. Au cas où le liquide rentrerait dans les yeux, consultez en plus un médecin.** Le liquide qui sort de l'accumulateur peut entraîner des irritations de la peau ou causer des brûlures.
- e) **Ne pas utiliser un bloc de batteries ou un outil fonctionnant sur batteries qui a été endommagé ou modifié.** Les batteries endommagées ou modifiées peuvent avoir un comportement imprévisible provoquant un feu, une explosion ou un risque de blessure.
- f) **Ne pas exposer un bloc de batteries ou un outil fonctionnant sur batteries au feu ou à une température excessive.** Une exposition au feu ou à une température supérieure à 130°C peut provoquer une explosion.
- g) **Suivre toutes les instructions de charge et ne pas charger le bloc de batteries ou l'outil fonctionnant sur batteries hors de la plage de températures spécifiée dans les instructions.** Un chargement incorrect ou à des températures hors de la plage spécifiée de températures peut endommager la batterie et augmenter le risque de feu.

6) SERVICE

- a) **Ne faites réparer votre outil électrique que par un personnel qualifié et seulement avec des pièces de rechange d'origine.** Ceci permet d'assurer la sécurité de l'outil électrique.
- b) **Ne jamais effectuer d'opération d'entretien sur des blocs de batteries endommagés.** Il convient que l'entretien des blocs de batteries ne soit effectué que par le fabricant ou les fournisseurs de service autorisés.

INSTRUCTIONS DE SECURITE POUR PONCEUSES

GENERALITES

- Cet outil ne doit pas être utilisé par des personnes de moins de 16 ans
- Cet outil ne convient pas pour des surfaces à poncer imperméabilisées
- **Ne travaillez pas de matériaux contenant de l'amiante** (l'amiante est considéré comme étant cancérigène)
- Retirez la batterie de l'outil avant d'effectuer des réglages ou de changer d'accessoire

ACCESSOIRES

- SKIL ne peut se porter garant du bon fonctionnement de cet outil que s'il a été utilisé avec les accessoires d'origine
- N'utilisez plus les feuilles de ponçage usées, fissurées ou fortement encrassées

AVANT L'USAGE

- Faites attention aux vis, clous ou autres éléments qui pourraient se trouver dans la pièce à travailler et qui risqueraient d'endommager très fortement votre outil; enlevez-les avant de commencer le travail
- Le niveau sonore en fonctionnement peut dépasser 85 dB(A); munissez-vous de casques anti-bruit
- La poussière de matériaux, tels que la peinture contenant du plomb, certaines espèces de bois, certains minéraux et différents métaux, peut être nocive (le contact avec la poussière ou son inhalation peut provoquer des réactions allergiques et/ou des maladies respiratoires chez l'opérateur ou des personnes se trouvant à proximité); **portez un masque antipoussières et travaillez avec un appareil de dé poussiérage lorsqu'il est possible d'en connecter un**
- Certains types de poussières sont classifiés comme étant cancérigènes (tels que la poussière de chêne ou de hêtre), en particulier en combinaison avec des additifs de traitement du bois; **portez un masque antipoussières et travaillez avec un appareil de dé poussiérage lorsqu'il est possible d'en connecter un**
- Suivez les directives nationales relatives au dé poussiérage pour les matériaux à travailler
- Portez des gants de protection, des lunettes de protection, des vêtements près du corps et un protège cheveux (pour des cheveux longs)
- **Fixez solidement la pièce à travailler** (une pièce fixée à l'aide de dispositifs de fixation est davantage assurée que si elle était tenue à la main)
- Lorsque vous poncez du métal, des étincelles se produisent; n'utilisez pas le réservoir à poussière et tenez toute autre personne ou tout matériel combustible éloignés de votre lieu de travail

PENDANT L'USAGE

- Ne touchez pas la feuille de ponçage en rotation
- En cas de dysfonctionnement électrique ou mécanique,

mettez directement l'outil hors service et retirez la batterie

APRES L'USAGE

- Lorsque vous rangez votre outil, le moteur doit être coupé et les pièces mobiles complètement arrêtées

BATTERIES

- **La batterie fournie, le cas échéant, est partiellement chargée** (pour garantir la capacité totale de la batterie, chargez intégralement la batterie dans le chargeur de batterie avant d'utiliser l'outil à moteur pour la première fois)
- **Utilisez uniquement les batteries et les chargeurs suivants avec l'outil**
 - Batterie SKIL : BR1*31****
 - Chargeur SKIL : CR1*31****
- N'utilisez pas la batterie lorsque celle-ci est endommagée ; remplacez-la
- Ne démontez pas la batterie
- N'exposez jamais l'outil/la batterie à la pluie
- Plage de températures autorisées (outil/chargeur/batterie):
 - pendant la charge 4...40°C
 - pendant le fonctionnement -20...+50°C
 - pour le stockage -20...+50°C

EXPLICATION DES SYMBOLES SUR L'OUTIL/LA BATTERIE

- ③ Veuillez lire le mode d'emploi avant d'utiliser l'outil
- ④ La batterie explosera si elle est jetée au feu - ne la brûlez en aucun cas
- ⑤ Rangez l'outil/le chargeur/la batterie dans des endroits où la température n'excède pas 50°C
- ⑥ Ne jetez pas les outils électriques et les piles dans les ordures ménagères

UTILISATION

- Chargement de la batterie
 - ! **lisez les avertissements de sécurité et les instructions fournis avec le chargeur**
- Retirer/installer la batterie ②
- Indicateur de niveau de charge de la batterie ⑦
 - appuyez sur le bouton indicateur de niveau de charge de la batterie E pour afficher le niveau de charge actuel de la batterie ⑦a
 - ! **si le niveau le plus bas de l'indicateur de la batterie commence à clignoter après avoir appuyé sur le bouton E ⑦b, la batterie est déchargée**
 - ! **si 2 les niveaux de l'indicateur de la batterie commencent à clignoter après avoir appuyé sur le bouton E ⑦c, la batterie n'est pas située dans la plage de températures de fonctionnement autorisée**
- Protection de la batterie
 - L'outil est soudainement mis hors tension ou la mise sous tension est empêchée lorsque
 - **la charge est trop élevée** --> retirez la charge et recommencez
 - **la température n'est pas située dans la plage de températures de fonctionnement autorisée de -20 à +50°C** --> 2 les niveaux de l'indicateur de niveau de charge de la batterie commencent à clignoter lorsque vous appuyez sur le bouton E ⑦c; attendez que la batterie soit revenue dans la plage de températures de fonctionnement autorisée

- la batterie est presque déchargée (pour empêcher qu'elle ne se décharge complètement) --> un niveau de batterie faible ou un niveau de batterie clignotant ⑦b apparaît sur l'indicateur de charge de la batterie lorsque vous appuyez sur le bouton E; chargez la batterie

! ne continuez pas à appuyer sur la commande marche/arrêt après l'arrêt automatique de l'outil; cela pourrait endommager la batterie

- Montage des feuilles de ponçage ⑧

! retirez la batterie de l'outil avant d'effectuer des réglages ou de changer d'accessoire

! l'aspiration des poussières exige des feuilles de ponçage perforées

! la perforation du papier devrait correspondre à la perforation de la semelle de ponçage

! quand les feuilles sont usagées n'attendez pas pour les changer

! utilisez toujours cet outil avec la surface de ponçage complètement recouverte d'une feuille de ponçage

- montez une feuille de ponçage VELCRO comme illustré
- Aspiration des poussières
- ! n'utilisez pas le sac à poussières pour le ponçage des métaux**

Sac à poussière ⑨

- montez le sac à poussières B
- videz le sac à poussières régulièrement pour une récupération optimale des poussières
- Interrupteur marche/arrêt
- mettez en marche/arrêtez votre outil en poussant l'interrupteur C ② vers l'avant/l'arrière
- ! l'outil doit être mis en marche avant que la surface de ponçage ne touche la pièce à poncer**
- ! avant d'arrêter l'outil, vous devriez le soulever de la pièce à travailler**
- Tenue et guidage de l'outil ⑩
- ! lorsque vous travaillez, tenez toujours l'outil par la(les) zone(s) de couleur grise**
- le guidage doit se faire parallèlement à la surface à travailler
- n'appliquez pas une pression excessive sur l'outil; le ponçage se fait de lui-même
- n'inclinez pas trop l'outil pour éviter toute marque de ponçage
- veillez à ce que les fentes de ventilation D ② soient découvertes

CONSEILS D'UTILISATION

- Utilisez l'outil pour les grandes surfaces de ponçage, les angles et les bords ⑪
- Ne jamais travaillez le bois et le métal avec une même feuille de ponçage
- Grain de feuilles de ponçage recommandé:
 - pour enlever la peinture et pour poncer du bois très brut, utilisez du gros grain (40, 60)
 - pour poncer du bois brut ou commun, utilisez du grain moyen (80, 100, 120)
 - pour polir du bois et des surfaces couvertes d'ancienne peinture ainsi que pour polir du bois nu, utilisez du grain fin (180, 240, 320)
- Procédez par étapes, quand la surface à travailler est

brute:

- commencez à poncer avec du grain gros ou moyen
- terminez par du grain fin
- Pour plus d'informations, voir www.skil.com

ENTRETIEN / SERVICE APRES-VENTE

- Gardez toujours votre outil et le câble propres (spécialement les aérations D ②)
 - éliminez les poussières de ponçage qui adhèrent à l'outil avec un pinceau
 - retirez la batterie de l'outil avant de procéder au nettoyage
- Si, malgré tous les soins apportés à la fabrication et au contrôle de l'outil, celui-ci devait avoir un défaut, la réparation ne doit être confiée qu'à une station de service après-vente agréée pour outillage SKIL
 - retournez l'outil **non démonté** avec votre preuve d'achat au revendeur ou au centre de service après-vente SKIL le plus proche (les adresses ainsi que la vue éclatée de l'outil figurent sur www.skil.com)
- Veuillez noter que tout dégât causé par une surcharge ou une mauvaise utilisation de l'outil ne sera pas couvert par la garantie (pour connaître les conditions de la garantie SKIL, surfez sur www.skil.com ou adressez-vous à votre revendeur)

ENVIRONNEMENT

- **Ne jetez pas les outils électriques, les piles, les accessoires et l'emballage dans les ordures ménagères** (pour les pays européens uniquement)
 - conformément à la directive européenne 2012/19/EG relative aux déchets d'équipements électriques ou électroniques, et à sa transposition dans la législation nationale, les outils électriques usés doivent être collectés séparément et faire l'objet d'un recyclage respectueux de l'environnement
 - le symbole ⑥ vous le rappellera au moment de la mise au rebut de l'outil
- ! avant d'envoyer les batteries au recyclage, pour éviter un éventuel court-circuit, il convient de revêtir les bornes d'un épais ruban adhésif isolant**



BRUIT / VIBRATION

- Mesurés selon EN 62841, le niveau de pression sonore de cet outil est de 82 dB(A), le niveau de puissance acoustique est de 90 dB(A) (incertitude K = 3 dB), et la vibration 3,46 m/s² (somme vectorielle triax ; incertitude K = 1,5 m/s²)
- Le niveau de vibrations émises a été mesuré conformément à l'essai normalisé de la norme EN 62841; il peut être utilisé pour comparer plusieurs outils et pour réaliser une évaluation préliminaire de l'exposition aux vibrations lors de l'utilisation de l'outil pour les applications mentionnées

- l'utilisation de l'outil dans d'autres applications, ou avec des accessoires différents ou mal entretenus, peut considérablement **augmenter** le niveau d'exposition
 - la mise hors tension de l'outil et sa non-utilisation pendant qu'il est allumé peuvent considérablement **réduire** le niveau d'exposition
- ! protégez-vous contre les effets des vibrations par un entretien correct de l'outil et de ses accessoires, en gardant vos mains chaudes et en structurant vos schémas de travail**

D

Bürstenloser Akku-Multischleifer

3715

EINLEITUNG

- Dieses Werkzeug ist bestimmt zum trockenen Schleifen von Holz, Kunststoff, Metall, Spachtelmasse und lackierten Oberflächen
- Dieses Werkzeug eignet sich nicht für das Schleifen von Gips
- Bitte diese Bedienungsanleitung sorgfältig lesen und aufbewahren ③

TECHNISCHE DATEN ①

WERKZEUGKOMPONENTEN ②

- A Schleifteller
- B Staubbeutel
- C Ein/Aus-Schalter
- D Lüftungsschlitze
- E Akkuladeanzeige

SICHERHEIT

ALLGEMEINE SICHERHEITSHINWEISE FÜR ELEKTROWERKZEUGE

⚠️ WARNUNG Lesen Sie alle Sicherheitshinweise, Anweisungen, Abbildungen und technischen Daten dieses Elektrogeräts. Die Nichtbeachtung der nachfolgenden Anweisungen kann zu Stromschlägen, Bränden bzw. ernsthaften Verletzungen führen.

Bewahren Sie alle Sicherheitshinweise und Anweisungen für die Zukunft auf.

Der in den Sicherheitshinweisen verwendete Begriff "Elektrowerkzeug" bezieht sich auf netzbetriebene Elektrowerkzeuge (mit Netzkabel) und auf akkubetriebene Elektrowerkzeuge (ohne Netzkabel).

1) ARBEITSPLATZSICHERHEIT

- a) Halten Sie Ihren Arbeitsbereich sauber und gut beleuchtet. Unordnung oder unbeleuchtete Arbeitsbereiche können zu Unfällen führen.
- b) Arbeiten Sie mit dem Elektrowerkzeug nicht in explosionsgefährdeter Umgebung, in der sich brennbare Flüssigkeiten, Gase oder Stäube befinden. Elektrowerkzeuge erzeugen Funken, die den Staub oder die Dämpfe entzünden können.

c) Halten Sie Kinder und andere Personen während der Benutzung des Elektrowerkzeuges fern.

Bei Ablenkung können Sie die Kontrolle über das Elektrowerkzeug verlieren.

2) ELEKTRISCHE SICHERHEIT

- a) Der Anschlussstecker des Elektrowerkzeuges muss in die Steckdose passen. Der Stecker darf in keiner Weise verändert werden. Verwenden Sie keine Adapterstecker gemeinsam mit schutzgeerdeten Elektrowerkzeugen. Unveränderte Stecker und passende Steckdosen verringern das Risiko eines elektrischen Schlages.
 - b) Vermeiden Sie Körperkontakt mit geerdeten Oberflächen, wie von Rohren, Heizungen, Herden und Kühlschränken. Es besteht ein erhöhtes Risiko durch elektrischen Schlag, wenn Ihr Körper geerdet ist.
 - c) Halten Sie das Elektrowerkzeug von Regen oder Nässe fern. Das Eindringen von Wasser in ein Elektrogerät erhöht das Risiko eines elektrischen Schlages.
 - d) Zweckentfremden Sie das Kabel nicht, um das Elektrowerkzeug zu tragen, aufzuhängen oder um den Stecker aus der Steckdose zu ziehen. Halten Sie das Kabel fern von Hitze, Öl, scharfen Kanten oder sich bewegenden Elektrowerkzeugeteilen. Beschädigte oder verwickelte Kabel erhöhen das Risiko eines elektrischen Schlages.
 - e) Wenn Sie mit einem Elektrowerkzeug im Freien arbeiten, verwenden Sie nur Verlängerungskabel, die auch für den Außenbereich zugelassen sind. Die Anwendung eines für den Außenbereich geeigneten Verlängerungskabels verringert das Risiko eines elektrischen Schlages.
 - f) Wenn der Betrieb des Elektrowerkzeuges in feuchter Umgebung nicht vermeidbar ist, verwenden Sie einen Fehlerstromschutzschalter. Der Einsatz eines Fehlerstromschutzschalters verringert das Risiko eines elektrischen Schlages.
- #### 3) SICHERHEIT VON PERSONEN
- a) Seien Sie aufmerksam, achten Sie darauf, was Sie tun, und gehen Sie mit Vernunft an die Arbeit mit einem Elektrowerkzeug. Benutzen Sie das Elektrowerkzeug nicht, wenn Sie müde sind oder unter dem Einfluss von Drogen, Alkohol oder Medikamenten stehen. Ein Moment der Unachtsamkeit beim Gebrauch des Elektrowerkzeuges kann zu ernsthaften Verletzungen führen.
 - b) Tragen Sie persönliche Schutzausrüstung und immer eine Schutzbrille. Das Tragen persönlicher Schutzausrüstung, wie Staubmaske, rutschfeste Sicherheitsschuhe, Schutzhelm oder Gehörschutz, je nach Art und Einsatz des Elektrowerkzeuges, verringert das Risiko von Verletzungen.
 - c) Vermeiden Sie eine unbeabsichtigte Inbetriebnahme. Vergewissern Sie sich, dass das Elektrowerkzeug ausgeschaltet ist, bevor Sie es an die Stromversorgung und/oder den Akku anschließen, es aufnehmen oder tragen. Wenn Sie beim Tragen des Elektrowerkzeuges den Finger am Schalter haben oder das Elektrowerkzeug eingeschaltet an die Stromversorgung anschließen, kann dies zu Unfällen führen.
 - d) Entfernen Sie Einstellwerkzeuge oder

Schraubenschlüssel, bevor Sie das Elektrowerkzeug einschalten. Ein Werkzeug oder Schlüssel, der sich in einem drehenden Elektrowerkzeugeteil befindet, kann zu Verletzungen führen.

- e) **Überschätzen Sie sich nicht. Sorgen Sie für einen sicheren Stand und halten Sie jederzeit das Gleichgewicht.** Dadurch können Sie das Elektrowerkzeug in unerwarteten Situationen besser kontrollieren.
- f) **Tragen Sie geeignete Kleidung. Tragen Sie keine weite Kleidung oder Schmuck. Halten Sie Haare und Kleidung fern von sich bewegenden Teilen.** Lockere Kleidung, Schmuck oder lange Haare können von sich bewegenden Teilen erfasst werden.
- g) **Wenn Staubabsaug- und -auffangeinrichtungen montiert werden können, vergewissern Sie sich, dass diese angeschlossen sind und richtig verwendet werden.** Verwendung einer Staubabsaugung verringert Gefährdungen durch Staub.
- h) **Wiegen Sie sich nicht in falscher Sicherheit und setzen Sie sich nicht über die Sicherheitsregeln für Elektrowerkzeuge hinweg, auch wenn Sie nach vielfachem Gebrauch mit dem Elektrowerkzeug vertraut sind.** Achtloses Handeln kann binnen Sekundenbruchteilen zu schweren Verletzungen führen.
- 4) **SORGFÄLTIGER UMGANG UND GEBRAUCH VON ELEKTROWERKZEUGEN**
 - a) **Überlasten Sie das Elektrowerkzeug nicht. Verwenden Sie für Ihre Arbeit das dafür bestimmte Elektrowerkzeug.** Mit dem passenden Elektrowerkzeug arbeiten Sie besser und sicherer im angegebenen Leistungsbereich.
 - b) **Benutzen Sie kein Elektrowerkzeug, dessen Schalter defekt ist.** Ein Elektrowerkzeug, das sich nicht mehr ein- oder ausschalten lässt, ist gefährlich und muss repariert werden.
 - c) **Ziehen Sie den Stecker aus der Steckdose und/oder entfernen Sie einen abnehmbaren Akku, bevor Sie Geräteeinstellungen vornehmen, Zubehörteile wechseln oder das Elektrowerkzeug weglegen.** Diese Vorsichtsmaßnahme verhindert den unbeabsichtigten Start des Elektrowerkzeuges.
 - d) **Bewahren Sie unbenutzte Elektrowerkzeuge außerhalb der Reichweite von Kindern auf. Lassen Sie Personen das Elektrowerkzeug nicht benutzen, die mit diesem nicht vertraut sind oder diese Anweisungen nicht gelesen haben.** Elektrowerkzeuge sind gefährlich, wenn Sie von unerfahrenen Personen benutzt werden.
 - e) **Pflegen Sie Elektrowerkzeuge und Zubehör mit Sorgfalt. Kontrollieren Sie, ob bewegliche Elektrowerkzeugeteile einwandfrei funktionieren und nicht klemmen, ob Teile gebrochen oder so beschädigt sind, dass die Funktion des Elektrowerkzeuges beeinträchtigt ist. Lassen Sie beschädigte Teile vor dem Einsatz des Elektrowerkzeuges reparieren.** Viele Unfälle haben ihre Ursache in schlecht gewarteten Elektrowerkzeugen.
 - f) **Halten Sie Schneidwerkzeuge scharf und sauber.** Sorgfältig gepflegte Schneidwerkzeuge mit scharfen Schneidkanten verklemmen sich weniger und sind leichter zu führen.
 - g) **Verwenden Sie Elektrowerkzeug, Zubehör,**

Einsatzwerkzeuge usw. entsprechend diesen Anweisungen. Berücksichtigen Sie dabei die Arbeitsbedingungen und die auszuführende Tätigkeit. Der Gebrauch von Elektrowerkzeugen für andere als die vorgesehenen Anwendungen kann zu gefährlichen Situationen führen.

- h) **Halten Sie Griffe und Griffflächen trocken, sauber und frei von Öl und Fett.** Rutschige Griffe und Griffflächen erlauben keine sichere Bedienung und Kontrolle des Elektrowerkzeuges in unvorhergesehenen Situationen.
- 5) **SORGFÄLTIGER UMGANG UND GEBRAUCH VON AKKUGERÄTEN**
 - a) **Laden Sie die Akkus nur in Ladegeräten auf, die vom Hersteller empfohlen werden.** Für ein Ladegerät, das für eine bestimmte Art von Akku geeignet ist, besteht Brandgefahr, wenn es mit anderen Akkus verwendet wird.
 - b) **Verwenden Sie nur die dafür vorgesehenen Akkus in den Elektrowerkzeugen.** Der Gebrauch von anderen Akkus kann zu Verletzungen und Brandgefahr führen.
 - c) **Halten Sie den nicht benutzten Akku fern von Büroklammern, Münzen, Schlüsseln, Nägeln, Schrauben oder anderen kleinen Metallgegenständen, die eine Überbrückung der Kontakte verursachen könnten.** Ein Kurzschluss zwischen den Akkukontakten kann Verbrennungen oder Feuer zur Folge haben.
 - d) **Bei falscher Anwendung kann Flüssigkeit aus dem Akku austreten. Vermeiden Sie den Kontakt damit. Bei zufälligem Kontakt mit Wasser abspülen. Wenn die Flüssigkeit in die Augen kommt, nehmen Sie zusätzlich ärztliche Hilfe in Anspruch.** Austretende Akkuflüssigkeit kann zu Hautreizungen oder Verbrennungen führen.
 - e) **Benutzen Sie keinen beschädigten oder veränderten Akku.** Beschädigte oder veränderte Akkus können sich unvorhersehbar verhalten und zu Feuer, Explosion oder Verletzungsgefahr führen.
 - f) **Setzen Sie einen Akku keinem Feuer oder zu hohen Temperaturen aus.** Feuer oder Temperaturen über 130°C können eine Explosion hervorrufen.
 - g) **Befolgen Sie alle Anweisungen zum Laden und laden Sie den Akku oder das Akkuwerkzeug niemals außerhalb des in der Betriebsanleitung angegebenen Temperaturbereichs.** Falsches Laden oder Laden außerhalb des zugelassenen Temperaturbereichs kann den Akku zerstören und die Brandgefahr erhöhen.
- 6) **SERVICE**
 - a) **Lassen Sie Ihr Elektrowerkzeug nur von qualifiziertem Fachpersonal und nur mit Original-Ersatzteilen reparieren.** Damit wird sichergestellt, dass die Sicherheit des Elektrowerkzeuges erhalten bleibt.
 - b) **Warten Sie niemals beschädigte Akkus.** Sämtliche Wartung von Akkus sollte nur durch den Hersteller oder bevollmächtigte Kundendienststellen erfolgen.

SICHERHEITSHINWEISE FÜR SCHLEIFER

ALLGEMEINES

- Der Benutzer dieses Werkzeuges sollte älter als 16 Jahre sein
- Dieses Werkzeug ist für Naßschleifen nicht geeignet

- **Bearbeiten Sie kein asbesthaltiges Material** (Asbest gilt als krebserregend)
- Die Batterie aus dem Werkzeug herausnehmen, bevor Einstellungen vorgenommen oder Zubehörteile gewechselt wird

ZUBEHÖR

- SKIL kann nur dann die einwandfreie Funktion des Werkzeuges zusichern, wenn Original-Zubehör verwendet wird
- Verwenden Sie verschlissene, eingerissene oder stark zugesetzte Schleifpapiere nicht weiter

VOR DER ANWENDUNG

- Beschädigungen durch Schrauben, Nägel und ähnliches an Ihrem Werkstück vermeiden; diese vor Arbeitsbeginn entfernen
- Der Geräuschpegel beim Arbeiten kann 85 dB(A) überschreiten; Gehörschutz tragen
- Staub von Materialien wie Farbe, die Blei enthält, einigen Holzarten, Mineralien und Metall kann schädlich sein (Kontakt mit oder Einatmen des Staubs kann zu allergischen Reaktionen und/oder Atemwegserkrankheiten beim Bediener oder Umstehenden führen); **tragen Sie eine Staubmaske und arbeiten Sie mit einem Staubabsaugungssystem, wenn ein solches angeschlossen werden kann**
- Bestimmte Arten von Staub sind als karzinogen klassifiziert (beispielsweise Eichen- und Buchenholzstaub), insbesondere in Verbindung mit Zusätzen für die Holzvorbehandlung; **tragen Sie eine Staubmaske und arbeiten Sie mit einem Staubabsaugungssystem, wenn ein solches angeschlossen werden kann**
- Beachten Sie die für Ihr verwendetes Verbrauchsmaterial gültigen nationalen Staubschutzvorgaben
- Tragen Sie Schutzhandschuhe, Schutzbrille, enganliegende Kleidung und Haarschutz (bei langen Haaren)
- **Sichern Sie das Werkstück** (ein mit Spannvorrichtungen oder Schraubstock festgehaltenes Werkstück ist sicherer gehalten als mit der Hand)
- Beim Schleifen von Metall entstehen Funken; verwenden Sie die Staubbox nicht und halten Sie andere Personen sowie brennbare Materialien von Ihrem Arbeitsbereich fern

WÄHREND DER ANWENDUNG

- Nicht mit dem laufenden Schleifpapier in Berührung kommen
- Bei elektrischer oder mechanischer Fehlfunktion das Werkzeug sofort ausschalten und den Akku entfernen ziehen

NACH DER ANWENDUNG

- Sobald Sie sich von Ihrem Werkzeug entfernen, sollte dieses ausgeschaltet werden und die sich bewegenden Teile vollkommen zum Stillstand gekommen sein

BATTERIEN

- **Der mitgelieferte Akku, falls vorhanden, ist nur teilgeladen.** (um die volle Kapazität des Akkus nutzen zu können, laden Sie den Akku im Ladegerät vollständig auf, bevor Sie das Elektrowerkzeug zum ersten Mal verwenden)
- **Nur die mit diesem Werkzeug mitgelieferten Batterien und Ladegeräte verwenden**
 - SKIL-Batterie: BR1*31****
 - SKIL-Ladegerät: CR1*31****
- Beschädigte Batterien nicht weiter verwenden, sondern

ersetzen

- Die Batterie nicht auseinandernehmen
- Das Werkzeug/die Batterie niemals Regen aussetzen
- Erlaubte Umgebungstemperatur (Werkzeug/Ladegerät/Batterie):
 - beim Laden 4...40°C
 - beim Betrieb -20...+50°C
 - bei Lagerung -20...+50°

ERKLÄRUNG DER SYMBOLE AUF DEM WERKZEUG/ AKKU

- ③ Die Bedienungsanleitung vor dem Gebrauch lesen
- ④ Batterien werden bei Kontakt mit Feuer explodieren, die Batterien daher niemals verbrennen
- ⑤ Bewahren Sie das Werkzeug/Ladegerät/Batterie stets bei Raumtemperaturen unter 50°C auf
- ⑥ Elektrowerkzeuge und Batterien nicht in den Hausmüll werfen

BEDIENUNG

- Aufladen des Akkus
 - ! **Lesen Sie die mit dem Ladegerät gelieferten Sicherheitshinweise**
- Entfernen/Einlegen von Batterien ②
- Akkuladeanzeige ⑦
 - Drücken Sie die auf die Akkustandsanzeige E, um den aktuellen Akkustand anzuzeigen ⑦a
 - ! **Wenn der niedrigste Wert der Akkustandsanzeige nach dem Drücken der Taste E ⑦b blinkt, ist der Akku leer**
 - ! **Wenn die Werte 2 der Akkustandsanzeige nach dem Drücken der Taste E ⑦c blinken, befindet sich der Akku nicht im zulässigen Betriebstemperaturbereich**
- Batterieschutz
 - Das Gerät wird plötzlich ausgeschaltet oder kann nicht mehr eingeschaltet werden, wenn
 - **die Last zu hoch ist** --> Last entfernen und neu starten
 - **die Akkutemperatur nicht im zulässigen Betriebstemperaturbereich von -20 bis +50° C liegt** --> 2 Werte der Akkustandsanzeige blinken nach dem Drücken der Taste E ⑦c; warten, bis sich der Akku wieder innerhalb des zulässigen Betriebstemperaturbereichs befindet
 - **der Akku fast leer ist (zum Schutz vor Tiefentladung)** --> ein niedriger Akkustand oder ein blinkender Akkustand ⑦b wird von der Akkustandsanzeige angezeigt, wenn die Taste E gedrückt wird; Akku laden
 - ! **nach einer automatischen Ausschaltung des Werkzeugs nicht weiterhin auf den Ein-/Ausschalter drücken; der Akku kann beschädigt werden**
- Schleifpapierbefestigung ⑧
 - ! **die Batterie aus dem Werkzeug herausnehmen, bevor Einstellungen vorgenommen oder Zubehörteile gewechselt wird**
 - ! **für die Staubabsaugung brauchen Sie gelochtes Schleifpapier**
 - ! **die Löcher im Schleifpapier sollten mit denen der Schleifplatte übereinstimmen**
 - ! **abgenutztes Schleifpapier rechtzeitig erneuern**
 - ! **benutzen Sie das Werkzeug nur wenn die gesamte**

Schleiffläche mit Schleifpapier bedeckt ist

- VELCRO-Schleifpapier wie dargestellt befestigen

- Staubabsaugung

! Staubbeutel nicht verwenden beim Schleifen von Metall

Staubbeutel ⑨

- Staubbeutel B befestigen

- regelmäßige Entleerung des Staubbeutels sorgt für optimale Staubaufnahme

- Ein-/Aus-Schalter

- Werkzeug ein-/ausschalten durch Schalter C ② nach vorn/rückwärts zu schieben

! bevor die Schleiffläche das Werkstück berührt, muß Ihr Werkzeug erst eingeschaltet werden

! vor dem Ausschalten des Werkzeuges sollte dieses vom Werkstück abgenommen werden

- Halten und Führen des Werkzeuges ⑩

! Werkzeug beim Arbeiten immer am grauen Griffbereich fassen

- halten Sie Ihr Werkzeug parallel zu der zu

bearbeitenden Oberfläche

- nicht zu viel Druck auf das Werkzeug ausüben; lassen Sie die Schleiffläche für Sie arbeiten

- verkanten Sie das Werkzeug nicht, damit ungewollte Schleifspuren vermieden werden

- Lüftungsschlitze D ② unbedeckt halten

ANWENDUNGSHINWEISE

- Das Werkzeug zum Schleifen großer Flächen, Ecken und Kanten verwenden ⑪
- Nie mit demselben Schleifpapier Holz und Metall bearbeiten
- Empfohlene Schleifpapierkörnung:
 - zum Entfernen von Farbe und zum Schleifen von extrem rohem Holz grobe Körnungsgrößen (40, 60) verwenden
 - zum Schleifen von Rohholz oder einfachem Holz mittlere Körnungsgrößen (80, 100, 120) verwenden
 - zum Glätten von Holz und Oberflächen mit alter Farbe sowie zum Trockenschleifen von unbehandelten Holzoberflächen feine Körnungsgrößen (180, 240, 320) verwenden
- Verwenden Sie verschiedene Körnungsgröße wenn die zu bearbeitende Oberfläche roh ist:
 - schleifen Sie anfangs mit der Grob- oder Mittelkörnung
 - beenden Sie mit der Feinkörnung
- Für weitere Informationen verweisen wir auf www.skil.com

WARTUNG / SERVICE

- Halten Sie Werkzeug und Kabel immer sauber (insbesondere die Lüftungsschlitze D ②)
 - anhaftenden Schleifstaub mit einem Pinsel entfernen
 - Vor der Montage die Batterie aus dem Werkzeug entfernen
- Sollte das Elektrowerkzeug trotz sorgfältiger Herstellungs- und Prüfverfahren einmal ausfallen, ist die Reparatur von einer autorisierten Kundendienststelle für SKIL-Elektrowerkzeuge ausführen zu lassen
 - das Werkzeug **unzerlegt**, zusammen mit dem Kaufbeleg, an den Lieferer oder die nächste SKIL-Vertragswerkstätte senden (die Anschriften so wie die

Ersatzteilzeichnung des Werkzeuges finden Sie unter www.skil.com)

- Beachten Sie, dass ein falscher oder unsachgemäßer Gebrauch des Werkzeuges zum Erlöschen der Garantie führt (die SKIL-Garantiebedingungen finden Sie unter www.skil.com oder fragen Sie Ihren Händler)

UMWELT

- **Elektrowerkzeuge, Batterien, Zubehör und Verpackungen nicht in den Hausmüll werfen** (nur für EU-Länder)
 - gemäss Europäischer Richtlinie 2012/19/EG über Elektro- und Elektronik- Altgeräte und Umsetzung in nationales Recht müssen nicht mehr gebrauchsfähige Elektrowerkzeuge getrennt gesammelt und einer umweltgerechten Wiederverwertung zugeführt werden
 - hieran soll Sie Symbol ⑥ erinnern
- **! bevor Sie die Batterie entsorgen, schützen Sie die Batterieenden mit einem schweren Band, um so Kriechströme zu vermeiden**

GERÄUSCH / VIBRATION

- Gemessen nach EN 62841 beträgt der Schalldruckpegel dieses Werkzeugs 82 dB(A) und der Schalleistungspegel 90 dB(A) (Unsicherheit K = 3 dB), und die Schwingung 3,46 m/s² (Triaxvektorsumme; Unsicherheit K = 1,5 m/s²)
- Die Vibrationsemissionsstufe wurde mit einem standardisierten Test gemäß EN 62841 gemessen; Sie kann verwendet werden, um ein Werkzeug mit einem anderen zu vergleichen und als vorläufige Beurteilung der Vibrationsexposition bei Verwendung des Werkzeugs für die angegebenen Anwendungszwecke
 - die Verwendung des Werkzeugs für andere Anwendungen oder mit anderem oder schlecht gewartetem Zubehör kann die Expositionsstufe erheblich **erhöhen**
 - Zeiten, zu denen das Werkzeug ausgeschaltet ist, oder wenn es läuft aber eigentlich nicht eingesetzt wird, können die Expositionsstufe erheblich **verringern**
- **! schützen Sie sich vor den Auswirkungen der Vibration durch Wartung des Werkzeugs und des Zubehörs, halten Sie Ihre Hände warm und organisieren Sie Ihren Arbeitsablauf**

NL

Borstelloze snoerloze multi 3715 schuurmachine

INTRODUCTIE

- Deze machine is bestemd voor het droog schuren van hout, kunststof, metaal, plamuur en gelakte oppervlakken
- Deze machine is niet bedoeld voor het schuren van gips
- Lees en bewaar deze gebruiksaanwijzing ③

TECHNISCHE GEGEVENS ①

MACHINE-ELEMENTEN ②

- A Steunschijf
- B Stofzak

- C Aan/uit schakelaar
- D Ventilatie-openingen
- E Batterijniveau-indicator

VEILIGHEID

ALGEMENE VEILIGHEIDSWAARSCHUWINGEN VOOR ELEKTRISCHE GEREEDSCHAPPEN

WAARSCHUWING Lees alle veiligheidswaarschuwingen, instructies, afbeeldingen en specificaties die met dit elektrische gereedschap zijn meegeleverd. Het niet volgen van alle hieronder genoemde instructies kan elektrische schokken, brand en/of ernstig letsel tot gevolg hebben.

Bewaar alle waarschuwingen en voorschriften voor toekomstig gebruik.

Het in de waarschuwingen gebruikte begrip “elektrisch gereedschap” heeft betrekking op elektrische gereedschappen voor gebruik op het stroomnet (met netsnoer) en op elektrische gereedschappen voor gebruik met een accu (zonder netsnoer).

1) VEILIGHEID VAN DE WERKOMGEVING

- a) **Houd uw werkomgeving schoon en opgeruimd.** Een rommelige of onverlichte werkomgeving kan tot ongevallen leiden.
- b) **Werk met het gereedschap niet in een omgeving met explosiegevaar waarin zich brandbare vloeistoffen, gassen of stof bevinden.** Elektrische gereedschappen veroorzaken vonken die het stof of de dampen tot ontsteking kunnen brengen.
- c) **Houd kinderen en andere personen tijdens het gebruik van het elektrische gereedschap uit de buurt.** Wanneer u wordt afgeleid, kunt u de controle over het gereedschap verliezen.

2) ELEKTRISCHE VEILIGHEID

- a) **De aansluitstekker van het gereedschap moet in het stopcontact passen. De stekker mag in geen geval worden veranderd. Gebruik geen adapterstekkers in combinatie met geaarde gereedschappen.** Onveranderde stekkers en passende stopcontacten beperken het risico van een elektrische schok.
- b) **Voorkom aanraking van het lichaam met geaarde oppervlakken, bijvoorbeeld van buizen, verwarmingen, fornuizen en koelkasten.** Er bestaat een verhoogd risico door een elektrische schok wanneer uw lichaam geaard is.
- c) **Houd het gereedschap uit de buurt van regen en vocht.** Het binnendringen van water in het elektrische gereedschap vergroot het risico van een elektrische schok.
- d) **Gebruik de kabel niet voor een verkeerd doel, om het gereedschap te dragen of op te hangen of om de stekker uit het stopcontact te trekken. Houd de kabel uit de buurt van hitte, olie, scherpe randen en bewegende gereedschapsdelen.** Beschadigde of in de war geraakte kabels vergroten het risico van een elektrische schok.
- e) **Wanneer u buitenshuis met elektrisch gereedschap werkt, dient u alleen verlengkabels te gebruiken die voor gebruik buitenshuis zijn goedgekeurd.**

Het gebruik van een voor gebruik buitenshuis geschikte verlengkabel beperkt het risico van een elektrische schok.

- f) **Als het gebruik van het elektrische gereedschap in een vochtige omgeving onvermijdelijk is, dient u een aardlekschakelaar te gebruiken.** Het gebruik van een aardlekschakelaar vermindert het risico van een elektrische schok.
- ### 3) PERSOONLIJKE VEILIGHEID
- a) **Wees alert, let goed op wat u doet en ga met verstand te werk bij het gebruik van het elektrische gereedschap. Gebruik het gereedschap niet wanneer u moe bent of onder invloed staat van drugs, alcohol of medicijnen.** Een moment van onoplettendheid bij het gebruik van het gereedschap kan tot ernstige verwondingen leiden.
 - b) **Draag persoonlijke beschermende uitrusting en altijd een veiligheidsbril.** Het dragen van persoonlijke beschermende uitrusting zoals een stofmasker, slipvaste werkschoenen, een veiligheidshelm of gehoorbescherming, afhankelijk van de aard en het gebruik van het elektrische gereedschap, vermindert het risico van verwondingen.
 - c) **Voorkom per ongeluk inschakelen. Controleer dat het elektrische gereedschap uitgeschakeld is voordat u de stekker in het stopcontact steekt of de accu aansluit en voordat u het gereedschap oppakt of draagt.** Wanneer u bij het dragen van het elektrische gereedschap uw vinger aan de schakelaar hebt of wanneer u het gereedschap ingeschakeld op de stroomvoorziening aansluit, kan dit tot ongevallen leiden.
 - d) **Verwijder instelgereedschappen of schroef sleutels voordat u het gereedschap inschakelt.** Een instelgereedschap of sleutel in een draaiend deel van het gereedschap kan tot verwondingen leiden.
 - e) **Probeer niet ver te reiken. Zorg ervoor dat u stevig staat en steeds in evenwicht blijft.** Daardoor kunt u het gereedschap in onverwachte situaties beter onder controle houden.
 - f) **Draag geschikte kleding. Draag geen loshangende kleding of sieraden. Houd haren en kleding uit de buurt van bewegende delen.** Loshangende kleding, sieraden en lange haren kunnen door bewegende delen worden meegenomen.
 - g) **Wanneer stofafzuigings- of stofopvangvoorzieningen kunnen worden gemonteerd, dient u zich ervan te verzekeren dat deze zijn aangesloten en juist worden gebruikt.** Het gebruik van een stofafzuiging beperkt het gevaar door stof.
 - h) **Ondanks het feit dat u eventueel heel goed vertrouwd bent met het gebruik van gereedschappen, moet u ervoor zorgen dat u niet nonchalant wordt en veiligheidsvoorschriften voor het gereedschap gaat negeren.** Een onoplettende handeling kan binnen een fractie van een seconde ernstig letsel veroorzaken.
- ### 4) GEBRUIK EN ONDERHOUD VAN ELEKTRISCHE GEREEDSCHAPPEN
- a) **Overbelast het gereedschap niet. Gebruik voor uw werkzaamheden het daarvoor bestemde elektrische gereedschap.** Met het passende elektrische gereedschap werkt u beter en veiliger binnen het aangegeven capaciteitsbereik.

- b) **Gebruik geen elektrisch gereedschap waarvan de schakelaar defect is.** Elektrisch gereedschap dat niet meer kan worden in- of uitgeschakeld, is gevaarlijk en moet worden gerepareerd.
- c) **Trek de stekker uit het stopcontact en/of neem de accu (indien uitneembaar) uit het elektrische gereedschap voordat u het elektrische gereedschap instelt, accessoires wisselt of het elektrische gereedschap opbergt.** Deze voorzorgsmaatregel voorkomt onbedoeld starten van het elektrische gereedschap.
- d) **Bewaars niet-gebruikte elektrische gereedschappen buiten bereik van kinderen. Laat het gereedschap niet gebruiken door personen die er niet mee vertrouwd zijn en deze aanwijzingen niet hebben gelezen.** Elektrische gereedschappen zijn gevaarlijk wanneer deze door onervaren personen worden gebruikt.
- e) **Verzorg het gereedschap zorgvuldig. Controleer of bewegende delen van het gereedschap correct functioneren en niet vastklemen en of onderdelen zodanig gebroken of beschadigd zijn dat de werking van het gereedschap nadelig wordt beïnvloed. Laat beschadigde delen repareren voordat u het gereedschap gebruikt.** Veel ongevallen hebben hun oorzaak in slecht onderhouden elektrische gereedschappen.
- f) **Houd snijdende inzetgereedschappen scherp en schoon.** Zorgvuldig onderhouden snijdende inzetgereedschappen met scherpe snijkanten klemmen minder snel vast en zijn gemakkelijker te geleiden.
- g) **Gebruik elektrische gereedschappen, toebehoren, inzetgereedschappen en dergelijke volgens deze aanwijzingen. Let daarbij op de arbeidsomstandigheden en de uit te voeren werkzaamheden.** Het gebruik van elektrische gereedschappen voor andere dan de voorziene toepassingen kan tot gevaarlijke situaties leiden.
- h) **Houd handgrepen en greepvlakken droog, schoon en vrij van olie en vet.** Gladde handgrepen en greepvlakken verhinderen dat het gereedschap in onverwachte situaties veilig kan worden gehanteerd en bediend.
- 5) GEBUIK EN ONDERHOUD VAN ACCUGEREEDSCHAPPEN**
- a) **Laad accu's alleen op in opladers die door de fabrikant worden geadviseerd.** Voor een oplader die voor een bepaald type accu geschikt is, bestaat brandgevaar wanneer deze met andere accu's wordt gebruikt.
- b) **Gebruik alleen de daarvoor bedoelde accu's in de elektrische gereedschappen.** Het gebruik van andere accu's kan tot verwondingen en brandgevaar leiden.
- c) **Voorkom aanraking van de niet-gebruikte accu met paperclips, munten, sleutels, spijkers, schroeven en andere kleine metalen voorwerpen die overbrugging van de contacten kunnen veroorzaken.** Kortsluiting tussen de accucontacten kan brandwonden of brand tot gevolg hebben.
- d) **Bij verkeerd gebruik kan vloeistof uit de accu lekken. Voorkom contact. Spoel bij onvoorzien contact met water af. Wanneer de vloeistof in de ogen komt, dient u bovendien een arts te raadplegen.** Gelekte accuvloeistof kan tot huidirritaties

- en verbrandingen leiden.
- e) **Gebruik accu of gereedschap niet, als deze beschadigd of veranderd zijn.** Beschadigde of veranderde accu's kunnen onvoorspelbaar gedrag vertonen, waardoor een brand, explosie of het gevaar van letsel kan ontstaan.
- f) **Stel accu of gereedschap niet bloot aan vuur of overmatige temperaturen.** Blootstelling aan vuur of temperaturen boven 130°C kan een explosie veroorzaken.
- g) **Volg alle aanwijzingen voor het laden en laad de accu of het gereedschap niet buiten het temperatuurbereik dat in de aanwijzingen is vermeld.** Verkeerd laden of laden bij temperaturen buiten het vastgelegde bereik kan de accu beschadigen en het risico van brand vergroten.
- 6) SERVICE**
- a) **Laat het gereedschap alleen repareren door gekwalificeerd en vakkundig personeel en alleen met originele vervangingsonderdelen.** Daarmee wordt gewaarborgd dat de veiligheid van het gereedschap in stand blijft.
- b) **Voer nooit servicewerkzaamheden aan beschadigde accu's uit.** Service van accu's dient uitsluitend te worden uitgevoerd door de fabrikant of erkende servicewerkplaatsen.

VEILIGHEIDSVOORSCHRIFTEN VOOR SCHUURMACHINES

ALGEMEEN

- Deze machine mag niet worden gebruikt door personen onder de 16 jaar
- Deze machine is niet geschikt voor schuren met water
- **Bewerk geen asbesthoudend materiaal** (asbest geldt als kankerverwekkend)
- Verwijder de batterij uit de machine voordat u instellingen verandert of een accessoire verwisselt

ACCESSOIRES

- SKIL kan alleen een correcte werking van de machine garanderen, indien originele accessoires worden gebruikt
- Gebruik versleten, gescheurd of ernstig beschadigd schuurpapier niet meer

VOÓR GEBUIK

- Voorkom schade, die kan ontstaan door schroeven, spijkers en andere voorwerpen in uw werkstuk; verwijder deze, voordat u aan een karwei begint
- Tijdens het werken kan het geluidsniveau 85 dB(A) overschrijden; draag oorbeschermers
- Stof van materiaal zoals loodhoudende verf, sommige houtsoorten, mineralen en metaal kunnen schadelijk zijn (contact met of inademing van de stof kan allergische reacties en/of ademhalingsziekten bij gebruiker of omstanders veroorzaken); **draag een stofmasker en werk met een stofopvang-voorziening als die kan worden aangesloten**
- Bepaalde soorten stof zijn geclassificeerd als kankerverwekkend (zoals stof van eiken en beuken), met name in combinatie met toevoegingsmiddelen voor houtverzorging; **draag een stofmasker en werk met een stofopvang-voorziening als die kan worden aangesloten**
- Neem voor de door u te bewerken materialen de nationale voorschriften aangaande stofopvang in acht

- Draag beschermende handschoenen, veiligheidsbril, nauw sluitende kleding en haarbescherming (bij lange haren)
- **Zet het werkstuk vast** (een werkstuk, dat is vastgezet met klemmen of in een bankschroef, zit steviger vast dan wanneer het met de hand wordt vastgehouden)
- Bij het schuren van metaal ontstaan vonken; gebruik de stofcontainer niet en houd andere personen en brandbaar materiaal van het werkgebied weg

TIJDENS GEBRUIK

- Kom niet in aanraking met het draaiend schuurpapier
- In geval van elektrische of mechanische storing, de machine onmiddellijk uitschakelen en de batterij verwijderen

NA GEBRUIK

- Als u de machine wegzet moet de motor uitgeschakeld zijn en de bewegende delen tot stilstand zijn gekomen

BATTERIJEN

- **De meegeleverde accu, wanneer aanwezig, is deels opgeladen** (om een volledige capaciteit van de batterij te garanderen, moet u de batterij volledig opladen in de oplader voordat u uw elektrische gereedschap voor de eerste keer gebruikt)
- **Gebruik uitsluitend de volgende batterijen en opladers voor deze machine**
 - SKIL-batterij: BR1*31****
 - SKIL-oplader: CR1*31****
- Gebruik de batterij niet, wanneer deze beschadigd is; vervang deze
- Haal de batterij niet uit elkaar
- Stel machine/batterij niet bloot aan regen
- Toegestane omgevingstemperatuur (machine/oplader/batterij):
 - bij het laden 4...40°C
 - bij het gebruik -20...+50°C
 - bij opslag -20...+50°C

UITLEG VAN SYMBOLEN OP MACHINE/BATTERIJ

- ③ Lees de gebruiksaanwijzing vóór gebruik
- ④ Batterijen exploderen als zij in vuur worden gegooid, dus verbrand de batterij in geen geval
- ⑤ Bewaar de machine/oplader/batterij op een plaats, waar de temperatuur niet hoger dan 50°C kan worden
- ⑥ Geef elektrisch gereedschap en batterijen niet met het huisvuil mee

GEBRUIK

- Opladen batterij
 - ! lees de veiligheidswaarschuwingen en -voorschriften die bij de oplader worden geleverd
- Verwijderen/installeren van de batterij ②
- Batterijniveau-indicator ⑦
 - druk op de batterijniveau-indicatorknop E om het huidige batterijniveau ⑦a aan te geven
 - ! wanneer het laagste niveau van de batterij-indicator gaat knippen nadat er op knop E ⑦b is gedrukt, is de batterij leeg
 - ! wanneer 2 niveaus van de batterij-indicator gaan knippen nadat er op knop E ⑦c is gedrukt, is de batterij niet binnen het toegestane bedrijfstemperatuurbereik
- Batterijbescherming
 - De machine wordt plotseling uitgeschakeld of kan niet meer worden ingeschakeld, wanneer
 - de belasting te hoog is --> hef de belasting op en

start opnieuw

- **de temperatuur van de batterij niet binnen het toegestane bedrijfstemperatuurbereik ligt van -20 tot +50°C** --> 2 niveaus van de batterijniveau-indicator gaan knippen als er op knop E ⑦c wordt gedrukt; wacht tot de batterij weer binnen het toegestane bedrijfstemperatuurbereik zit

- **de batterij bijna leeg is (ter bescherming tegen diepe ontlading)** --> er wordt (knipperend) een laag batterijniveau ⑦b aangegeven door de batterijniveau-indicator als er op knop E wordt gedrukt; batterij opladen

! blijf niet op de aan/uit-schakelaar drukken nadat de machine automatisch is uitgeschakeld; de batterij kan beschadigd worden

- Bevestigen van schuurpapier ⑧

! verwijder de batterij uit de machine voordat u instellingen verandert of een accessoire verwisselt

! ten behoeve van stofafzuiging altijd geperforeerd schuurpapier gebruiken

! perforatie van het schuurpapier moet

corresponderen met perforatie in de schuurvoet

! vervang versleten schuurpapier tijdig

! gebruik de machine alleen wanneer het hele

schuuroppervlak met schuurpapier bedekt is

- breng VELCRO-schuurpapier aan zoals afgebeeld

- Stofafzuiging

! gebruik de stofzak niet bij het schuren van metaal Stofzak ⑨

- stofzak B bevestigen

- ledig de stofzak regelmatig voor optimale stofafzuiging

- Aan/uit schakelaar

- schakel machine aan/uit door schakelaar C ② naar voren/achteren te schuiven

! voordat het schuuroppervlak in aanraking komt met het werkstuk, moet u de machine aanzetten

! voordat u de machine uitschakelt, dient u deze van het werkstuk op te lichten

- Vasthouden en leiden van de machine ⑩

! houd de machine tijdens het werk altijd vast bij het(de) grijs-gekleurde greepvlak(ken)

- geleid uw machine parallel aan het werkoppervlak

- oefen niet te veel druk uit op de machine; laat het

schuuroppervlak het werk voor u doen

- zet uw machine niet schuin op het werkstuk ter

voorkoming van ongewenste schuursporen

- houd ventilatie-openingen D ② onbedekt

TOEPASSINGSADVIES

- Gebruik de machine voor het schuren van grote oppervlakken, hoeken en randen ⑪
- Gebruik nooit hetzelfde schuurpapier voor hout en metaal
- Aanbevolen schuurpapierkorrel:
 - gebruik korrelgrootte "grof" voor het verwijderen van verf en schuren van uiterst ruw hout (40, 60)
 - gebruik korrelgrootte "middel" voor het schuren van ruw of gewoon hout (80, 100, 120)
 - gebruik korrelgrootte "fijn" voor het glad maken van hout en oppervlakken met oude verf evenals voor het afwerken van kaal hout (180, 240, 320)

- Gebruik verschillende korrelgroottes, wanneer het te schuren oppervlak ruw is:
 - begin te schuren met korrel grof of middel
 - eindig met korrel fijn
- Voor meer informatie zie www.skil.com

ONDERHOUD / SERVICE

- Houd machine en snoer altijd schoon (met name de ventilatie-openingen D ②)
 - veeg achtergebleven schuurstof met een kwast weg
 - verwijder vóór het reinigen de batterij uit de machine
- Mocht het elektrische gereedschap ondanks zorgvuldige fabricage- en testmethoden toch defect raken, dient de reparatie te worden uitgevoerd door een erkende klantenservice voor SKIL elektrische gereedschappen
 - stuur de machine **ongedemonteerd**, samen met het aankoopbewijs, naar het verkoopadres of het dichtstbijzijnde SKIL service-station (de adressen evenals de onderdeeltekening van de machine vindt u op www.skil.com)
- Denk erom, dat beschadigingen als gevolg van overbelasting of onjuist gebruik van de machine niet onder de garantie vallen (voor de garantievoorwaarden van SKIL zie www.skil.com of raadpleeg uw dealer)

MILIEU

- **Geef elektrisch gereedschap, batterijen, accessoires en verpakkingen niet met het huisvuil mee** (alleen voor EU-landen)
 - volgens de Europese richtlijn 2012/19/EG inzake oude elektrische en elektronische apparaten en de toepassing daarvan binnen de nationale wetgeving, dient afgedankt elektrisch gereedschap gescheiden te worden ingezameld en te worden afgevoerd naar een recycle-bedrijf, dat voldoet aan de geldende milieu-eisen
 - symbool ⑥ zal u in het afdankstadium hieraan herinneren
- ! **bescherm de batterij-contacten met stevig plakband voordat ze afgedankt worden, om kortsluiting te voorkomen**

GELUID / VIBRATIE

- Gemeten in navolging van EN 62841 is het geluidsdruk-niveau van deze machine 82 dB(A) en het geluidsvermogensniveau 90 dB(A) (onzekerheid K = 3 dB), en de trilling 3,46 m/s² (triax vector som; onzekerheid K = 1,5 m/s²)
- Het trillingsemissieniveau is gemeten in overeenstemming met een gestandaardiseerde test volgens EN 62841; deze mag worden gebruikt om twee machines met elkaar te vergelijken en als voorlopige beoordeling van de blootstelling aan trilling bij gebruik van de machine voor de vermelde toepassingen
 - gebruik van de machine voor andere toepassingen, of met andere of slecht onderhouden accessoires, kan het blootstellingsniveau aanzienlijk **verhogen**
 - wanneer de machine is uitgeschakeld of wanneer deze loopt maar geen werk verricht, kan dit het blootstellingsniveau aanzienlijk **reduceren**
- ! **bescherm uzelf tegen de gevolgen van trilling door de machine en de accessoires te onderhouden,**

uw handen warm te houden en uw werkwijze te organiseren

S

Borstlös, sladdlös multislipmaskin

3715

INTRODUKTION

- Det här verktyget är avsett för torr slipning av trä, plast, metall, fyllmassa och målade ytor
- Det här verktyget är inte avsett för slipning av gips
- Läs och spara denna instruktionsbok ③

TEKNISKA DATA ①

VERKTYGSELEMENT ②

- A Underlagsplatta
- B Dampmåse
- C Till/från strömbrytare
- D Ventilationsöppningar
- E Batteriindikator

SÄKERHET

ALLMÄNNA SÄKERHETSANVISNINGAR FÖR ELVERKTYG

⚠ VARNING Studera alla varningar, anvisningar, bilder och specifikationer gällande säkerhet som medföljer verktyget. Om anvisningarna inte följs kan det resultera i elektriska stötar, brand och/eller allvarliga personskador.

Förvara alla varningar och anvisningar för framtida bruk.

Nedan använt begrepp "elverktyg" hänför sig till nätdrivna elverktyg (med nätsladd) och till batteridrivna elverktyg (sladdlösa).

1) ARBETSPLATSSÄKERHET

- a) **Håll arbetsplatsen ren och välbelyst.** Oordning på arbetsplatsen eller dåligt belyst arbetsområde kan leda till olyckor.
- b) **Använd inte elverktyg i explosionsfarlig omgivning med brännbara vätskor, gaser eller damm.** Elverktygen alstrar gnistor som kan antända dammet eller gaserna.
- c) **Håll under arbetet med elverktyg barn och obehöriga personer på betryggande avstånd.** Om du störs av obehöriga personer kan du förlora kontrollen över elverktyg.

2) ELEKTRISK SÄKERHET

- a) **Elverktygets stickpropp måste passa till vägguttaget. Stickproppen får absolut inte förändras. Använd inte adapterkontakter tillsammans med skyddsjordade elverktyg.** Oförändrade stickproppar och passande vägguttag reducerar risken för elektriskt slag.
- b) **Undvik kroppscontact med jordade ytor som t. ex. rör, värmeelement, spisar och kylskåp.** Det finns en

- större risk för elektriskt slag om din kropp är jordad.
- c) **Skydda elverktuget mot regn och väta.** Tränger vatten in i ett elverktyg ökar risken för elektriskt slag.
 - d) **Missbruka inte nätsladden och använd den inte för att bära eller hänga upp elverktuget och inte heller för att dra stickproppen ur vägguttaget. Håll nätsladden på avstånd från värme, olja, skarpa kanter och rörliga maskindelar.** Skadade eller tilltrasslade ledningar ökar risken för elektriskt slag.
 - e) **När du arbetar med ett elverktyg utomhus använd endast förlängningssladdar som är godkända för utomhusbruk.** Om en lämplig förlängningssladd för utomhusbruk används minskar risken för elektriskt slag.
 - f) **Använd en jordfelsbrytare om det inte är möjligt att undvika elverktugets användning i fuktig miljö.** Genom att använda en jordfelsbrytare minskas risken för elstöt.
- 3) PERSONSÄKERHET**
- a) **Var uppmärksam, kontrollera vad du gör och använd elverktuget med förnuft. Använd inte elverktuget när du är trött eller om du är påverkad av droger, alkohol eller mediciner.** Under användning av elverktyg kan även en kort uppmärksamhet leda till allvarliga kroppsskador.
 - b) **Bär alltid personlig skyddsutrustning och skyddsglasögon.** Användning av personlig skyddsutrustning som t. ex. dammfiltermask, halkfria säkerhetsskor, skyddshjälm och hörselskydd reducerar alltefter elverktugets typ och användning risken för kroppsskada.
 - c) **Undvik oavsiktlig igångsättning. Kontrollera att elverktuget är fränkopplat innan du ansluter stickproppen till vägguttaget och/eller ansluter/bort batteriet, tar upp eller bär elverktuget.** Om du bär elverktuget med fingret på strömställaren eller ansluter påkopplat elverktyg till nätströmmen kan olycka uppstå.
 - d) **Ta bort alla inställningsverktyg och skruvnycklar innan du kopplar på elverktuget.** Ett verktyg eller en nyckel i en roterande komponent kan medföra kroppsskada.
 - e) **Överskatta inte din förmåga. Se till att du står stadigt och håller balansen.** I detta fall kan du lättare kontrollera elverktuget i oväntade situationer.
 - f) **Bär lämpliga kläder. Bär inte löst hängande kläder eller smycken. Håll håret och kläderna på avstånd från de rörliga delarna.** Löst hängande kläder, smycken och långt hår kan dras in av roterande delar.
 - g) **Vid elverktyg med dammutsugnings- och uppsamlingsutrustning kontrollera att anordningarna är rätt monterade och används på korrekt sätt.** Användning av dammutsugning minskar de risker damm orsakar.
 - h) **Låt inte vanan att ofta använda verktygen göra att du blir slarvig och ignorerar verktygets säkerhetsprinciper.** En vårdslös åtgärd kan leda till allvarlig personskada inom bråkdelen av en sekund.
- 4) OMSORGSFULL HANTERING OCH ANVÄNDNING AV ELVERKTYG**
- a) **Överbelasta inte elverktuget. Använd för aktuellt arbete avsett elverktyg.** Med ett lämpligt elverktyg kan du arbeta bättre och säkrare inom angivet effektområde.
 - b) **Ett elverktyg med defekt strömställare får inte längre användas.** Ett elverktyg som inte kan kopplas in eller ur är farligt och måste repareras.
 - c) **Dra stickproppen ur vägguttaget och/eller ta bort batteriet, om det kan tas ut ur elverktuget, innan inställningar utförs, tillbehörsdelar byts ut eller elverktuget lagras.** Denna skyddsåtgärd förhindrar oavsiktlig inkoppling av elverktuget.
 - d) **Förvara elverktuget oåtkomliga för barn. Låt elverktuget inte användas av personer som inte är förtrogna med dess användning eller inte läst denna anvisning.** Elverktuget är farliga om de används av oerfarna personer.
 - e) **Underhåll elverktyg och tillbehör omsorgsfullt. Kontrollera att rörliga komponenter fungerar felfritt och inte kärvar, att komponenter inte brustit eller skadats; orsaker som kan leda till att elverktugets funktioner påverkas menligt. Låt skadade delar repareras innan elverktuget återanvänds.** Många olyckor orsakas av dåligt skötta elverktyg.
 - f) **Håll skärverktygen skarpa och rena.** Omsorgsfullt skötta skärverktyg med skarpa egg kommer inte så lätt i kläm och går lättare att styra.
 - g) **Använd elverktuget, tillbehör, insatsverktyg osv. enligt dessa anvisningar. Ta hänsyn till arbetsvillkoren och arbetsmomenten.** Används elverktuget på icke ändamålsenligt sätt kan farliga situationer uppstå.
 - h) **Håll handtag och greppytor torra, rena och fria från olja och fett.** Hala handtag och greppytor ger ingen säker hantering och kontroll över verktyget i oväntade situationer.
- 5) OMSORGSFULL HANTERING OCH ANVÄNDNING AV SLADDLÖSA ELVERKTYG**
- a) **Ladda batterierna endast i de laddare som tillverkaren rekommenderat.** Om en laddare som är avsedd för en viss typ av batterier används för andra batterityper finns risk för brand.
 - b) **Använd endast batterier som är avsedda för aktuellt elverktyg.** Används andra batterier finns risk för kroppsskada och brand.
 - c) **Håll gem, mynt, nycklar, spikar, skruvar och andra små metallföremål på avstånd från reservbatterier för att undvika en bygling av kontaktarna.** En kortslutning av batteriets kontakter kan leda till brännskador eller brand.
 - d) **Om batteriet används på fel sätt finns risk för att vätska rinner ur batteriet. Undvik kontakt med vätskan. Vid oavsiktlig kontakt spola med vatten. Om vätska kommer i kontakt med ögonen uppsök dessutom läkare.** Batterivätskan kan medföra hudirritation eller brännskada.
 - e) **Använd inte batteriet eller verktyg som är skadade eller modifierade.** Skadade eller modifierade batterier kan bete sig oväntat vilket leder till brand, explosion eller risk för personskador.
 - f) **Du ska inte exponera ett batteri eller verktyg för brand eller för hög temperatur.** Exponering för brand eller temperaturer över 130°C kan leda till explosion.
 - g) **Följ alla laddningsinstruktioner och ladda inte batteriet eller verktyget utanför det temperaturomfång som specificeras i instruktionerna.** En olämplig laddning eller en laddning vid en temperatur som ligger utanför det specificerade

området kan skada batteriet och öka brandrisken.

6) SERVICE

- a) **Låt elverket repareras endast av kvalificerad fackpersonal och med originalreservdelar.** Detta garanterar att elverktygets säkerhet upprätthålls.
- b) **Utför aldrig service på skadade batterier.** Service på batterier får endast utföras av tillverkaren eller auktoriserade tjänsteleverantörer.

SÄKERHETSANVISNINGAR FÖR SLIPMASKINER

ALLMÄNT

- Den här maskinen ska inte användas av personer under 16 år
- Denna maskin är inte lämplig till vattenslipning
- **Asbesthaltigt material får inte bearbetas** (asbest anses vara cancerframkallande)
- titta aldrig ner i luftutsläppet/munstycket

TILLBEHÖR

- SKIL kan endast garantera att maskinen fungerar felfritt om originaltillbehör används
- Förslitna, rivna eller kraftigt insatta slippapper får ej användas

FÖRE ANVÄNDNINGEN

- Undvik skador genom att ta bort skruvar, spikar eller andra föremål ur arbetsstycket; ta dem bort innan du startar ett arbete
- Ljudnivån vid arbete kan överskrida 85 dB(A); använd hörselskydd
- Viss typ av damm, exempelvis färg som innehåller bly, vissa träsorter, mineraler och metaller kan vara hälsovådliga om de inhaleras (hudkontakt eller inandning kan ge allergisk reaktion och/eller luftvägsproblem/sjukdom hos personer i närheten); **använd andningsskydd och arbeta med en dammuppsamlare om sådan anslutning finns**
- Vissa typer av damm är klassificerade så som carcinogena (t.ex. ek- och björkdamm) särskilt i kombination med tillsatser för arbete med; **använd andningsskydd och arbeta med en dammuppsamlare om sådan anslutning finns**
- Följ de nationella krav, som finns angående damm, för de material du skall arbeta med
- Använd skyddshandskar, skyddsglasögon, åtsittande kläder och hårmät (för långt hår)
- **Sätt fast arbetsstycket** (ett arbetsstycke fastsatt med skruvtvingar eller i ett skruvstöd är mera stabilt än om det hålls fast för hand)
- Vid slipning av metall bildas gnistor; använd inte dammuppsamlaren och håll andra personer och antändbart material på avstånd från arbetsområdet

UNDER ANVÄNDNINGEN

- Berör inte roterande slippapper
- I händelse av onormala elektriska eller mekaniska störningar, stäng genast av maskinen och ta ut batteriet

EFTER ANVÄNDNINGEN

- När du ställer ifrån dig maskinen måste motorn vara fränslagen och de rörliga delarna ska ha stannat fullständigt

BATTERIERNA

- **Det medföljande batteriet, om något, är delvis laddat** (i syfte att garantera batteriets fulla kapacitet ska det laddas helt och hållet i batteriladdaren innan verktyget används för första gången)
- **Använd endast följande batterier och laddare med**

det här verktyget

- SKIL-batteri: BR1*31****
- SKIL-laddare: CR1*31****

- Använd inte batteriet om det är skadat; det ska bytas ut
- Demontera inte batteriet
- Utsätt inte verktyget/batteriet för regn
- Tillåten omgivningstemperatur (verktyg/laddare/batteri):
 - vid laddning 4...40°C
 - vid drift -20...+50°C
 - vid förvaring -20...+50°C

FÖRKLARING AV SYMBOLER PÅ VERKTYGET/ BATTERIET

- ③ Läs bruksanvisningen före användning
- ④ Batterierna kan explodera om de utsätts för eld, undanhåll batterierna från heta källor
- ⑤ Förvara maskinen/laddaren/batteriet i lokaler, där temperaturen inte överstiger 50°C
- ⑥ Elektriska verktyg och batterier får inte kastas i hushållssoporna

ANVÄNDNING

- Laddning av batteri
- ! **läs säkerhetsvarningarna och anvisningarna som levereras med laddaren**

- Ta bort/sätta i batteriet ②

- Batteriindikator ⑦

- tryck på indikatorknappen E för batterinivå för att visa aktuell batterinivå ⑦a

! **när batteriindikatorns lägsta nivå börjar att blinka efter att knappen E ⑦b tryckts in, är batteriet tomt**

! **när batteriindikatorns lägsta nivåer 2 börjar blinka efter knappen E ⑦c tryckts in, är batteriet inte inom tillåtet driftstemperaturområde**

- Batteriskydd

Verktyget stängs plötsligt av eller förhindras att startas när

- **belastningen är för hög** --> ta bort belastning och starta om

- **batteriets temperatur över- eller underskrider arbetsområdet -20 till +50°C** --> batteriindikatorns nivåer 2 börjar blinka när knappen E ⑦c trycks in; vänta tills batteriet återigen är inom tillåtet driftstemperaturområde

- **batteriet är nästan tomt (för att skydda fullständig urladdning)** --> en låg batterinivå eller blinkande låg batterinivå ⑦b visas av batteriindikatorn när knappen E trycks på; ladda batteriet

! **fortsätt inte trycka på till-/frånknappen efter att verktyget stängts av automatiskt; batteriet kan skadas**

- Montering av slippapper ③

! **ta ut batteriet ur maskinen innan du gör några justeringar eller byter tillbehör**

! **dammuppsamlingen kräver perforerat slippapper**

! **perforering i slippappret ska överensstämma med hålen i slippattan**

! **byt slitna slippapper i tid**

! **använd maskinen alltid med hela slipytan täckt med slippapper**

- montera VELCRO-slippapperet enligt bilden

- Dammuppsugning

! **använd inte dammpåsen för slipning av metall**
Dampåse ④

- monterer damppåsen B
- tøm damppåsen regelbundet for at få b st damppudsugning
- Till/fr n str mbrytare
- s tt p /st ng av maskinen genom att trycka str mbrytaren C ② fram t/bak t
- ! innan slipytan s tts till arbetsstycket skall maskinen ha startats**
- ! maskinen skall tas bort fr n arbetsstycket innan den st ngs av**
- Fattning och styrning av maskinen ⑩
- ! under arbeet, h ll alltid verktuget i det gr  greppet**
- styr maskinen parallellt mot arbesytan
- l gg inte f r mycket tryck p  maskinen; l t slipytan g ra arbeet  t dig
- luta ej maskinen f r att undvika o nskade slipm rken
- h ll ventilations ppningarna D ② ej  vert ckta

ANV NDNINGSTIPS

- Anv nd verktuget f r slipning av stora ytor, h rn och kanter ①
- Anv nd aldrig samma slippapper f r tr  og metall
- Rekommenderede slippapperkorn:
 - vid borttagning av f rg og slipning av ekstremt ohyvlat tr  anv nds grova kornstorlekar (40, 60)
 - vid slipning av ohyvlat eller hvylat tr  anv nds medelgrova kornstorlekar (80, 100, 120)
 - vid finbearbening av tr  og ytor med gammel f rg, s v l som slipning av naturtr  anv nds fina kornstorlekar (180, 240, 320)
- Anv nd olika korn vid arbee med ohyvlade ytor:
 - b rja slipa med grov eller medium korn
 - avsluta med fin korn
- Bes k www.skil.com f r mer information

UNDERH LL / SERVICE

- H ll alltid din maskin og sladden ren (specielt ventilations ppningarna D ②)
 - avl gsna med en pensel sliddamm som s tter sig p  maskinen
 - ta bort batteriet fr n verktuget f re reng ring
- Om i elverktuget trots exakt tillverkning og str ng kontroll st rning skulle oppst , b r reparation utf ras av auktoriserad serviceverkstad f r SKIL elverktug
 - s nd in verktuget i **odemonterat skick** tillsammans med ink psbevis till f rs ljarer eller till n rmaste SKIL serviceverkstad (adresser till servicestationer og spr ngskisser av maskiner finns p  www.skil.com)
- Observera att skada till f ljgd av  varsamhet eller  verbelastning inte t cks av garantin (f r SKIL garantivillkor g  till www.skil.com eller fr ga  terf rs ljarer)

MILJ 

- **Elektriske verktug, batterier, tillbeh r og f rpackning f r inte kastas i hush llssoporna** (g ller endast EU-l nder)
 - enligt direktivet 2012/19/EG som avser  ldre elektrisk og elektronisk utrustning og dess till mpning enligt nationell lagstiftning ska uttj nta elektriske verktug sorteres separat og l mnas till milj v nlig  tervinning

- symbolen ⑥ kommer att p minna om dette n r det  r tid att kassera

! f re avyttring av batterierne, tejsa kontaktytterne med kraftig tejsa f r att undvika kortslutning

LJUD / VIBRATION

- Det her verktugets ljudtrycksniv  som m tts enligt EN 62841  r 82 dB(A), ljudeffektniv n  r 90 dB(A) (os kerhet K = 3 dB) og vibrationen 3,46 m/s² (triax vektorsumma; os kerhet K = 1,5 m/s²)
- Vibrationsemissionsv rde har oppm tts enligt ett standardiserat test i enlighet med EN 62841; dette v rde kan anv ndas f r  t j mf ra vibrationen hos olika verktug og som en ungef rlig uppsk tning av hur stor vibration anv ndaren uts tts f r n r verktuget anv ndes enligt det avsedde syftet
 - om verktuget anv ndes p  ett annat  n det avsedde syftet eller med fel eller d ligt underh llna tillbeh r kan dette drastisk  ka vibrationsniv n
 - n r verktuget st ngs av eller  r p  men inte anv nds, kan dette avsev rt minske vibrationsniv n
- ! skydd dig mot vibration genom  t underh lla verktuget og dess tillbeh r, h lla h nderne varme og styra opp ditt arbess tt**

DK

Ledningsfri multisliber uden 3715 b rste

INLEDNING

- Dette v rkt j er beregnet til t r slibning af tr , plast, metal, spartelmasse og lakerede overflader
- Dette v rkt j er ikke beregnet til slibning af gips
- L s og gem denne betjeningsvejledning ③

TEKNISKE DATA ①

V RKT JETS DELE ②

- A S l
- B St vpose
- C T nd/sluk afbryder
- D Ventilationshuller
- E Indikator f r batteritilstand

SIKKERHED

GENERELLE SIKKERHEDSINSTRUKSER FOR EL-V RKT J

⚠ ADVARSEL L s alle sikkerhedsadvarsler, instruktioner, illustrationer og specifikationer, der leveres med dette elektriske v rkt j. Hvis alle instruktioner opf rt herunder ikke f lges, kan det medf re elektrisk st d, brand og/eller alvorlige kv stelser.

Gem alle advarsler og instruktioner til senere brug.

Begrebet "elv rkt j" i advarslerne refererer til elv rkt j, der k rer p  lysnettet (med netkabel) samt batteridrevet v rkt j (uden netkabel).

1) SIKKERHED PÅ ARBEJDSPLADSEN

- a) **Sørg for, at arbejdsområdet er rent og ryddeligt.** Uorden eller uoplyste arbejdsområder øger faren for uheld.
 - b) **Brug ikke elværktøjet i eksplosionstruede omgivelser, hvor der er brændbare væsker, gasser eller støv.** Elværktøj kan slå gnister, der kan tændende støv eller dampe.
 - c) **Sørg for, at andre personer og ikke mindst børn holdes væk fra arbejdsområdet, når el-værktøjet er i brug.** Hvis man distraheres, kan man miste kontrollen over elværktøjet.
- ## 2) ELEKTRISK SIKKERHED
- a) **Elværktøjets stik skal passe til kontakten. Stikket må under ingen omstændigheder ændres. Brug ikke adapterstik sammen med jordforbundet elværktøj.** Uændrede stik, der passer til kontakterne, nedsætter risikoen for elektrisk stød.
 - b) **Undgå kropskontakt med jordforbundne overflader som f.eks. rør, radiatorer, komfurer og køleskabe.** Hvis din krop er jordforbundet, øges risikoen for elektrisk stød.
 - c) **Elværktøjet må ikke udsættes for regn eller fugt.** Indtrængning af vand i et elværktøj øger risikoen for elektrisk stød.
 - d) **Brug ikke ledningen til formål, den ikke er beregnet til. Du må aldrig bære elværktøjet i ledningen, hænge elværktøjet op i ledningen eller rykke i ledningen for at trække stikket ud af kontakten.** Beskyt ledningen mod varme, olie, skarpe kanter eller maskindele, der er i bevægelse. Beskadigede eller indviklede ledninger øger risikoen for elektrisk stød.
 - e) **Hvis elværktøjet benyttes i det fri, må der kun benyttes en forlængerledning, der er egnet til udendørs brug.** Brug af forlængerledning til udendørs brug nedsætter risikoen for elektrisk stød.
 - f) **Hvis det ikke kan undgås at bruge elværktøjet i fugtige omgivelser, skal der bruges et HFI-relæ.** Brug af et HFI-relæ reducerer risikoen for at få elektrisk stød.
- ## 3) PERSONLIG SIKKERHED
- a) **Det er vigtigt at være opmærksom, se, hvad man laver, og bruge el-værktøjet fornuftigt. Brug ikke noget el-værktøj, hvis du er træt, har nydt alkohol eller er påvirket af medikamenter eller euforiserende stoffer.** Få sekundær uopmærksomhed ved brug af el-værktøjet kan føre til alvorlige personskader.
 - b) **Brug beskyttelsesudstyr og hav altid beskyttelsesbriller på.** Brug af sikkerhedsudstyr som f.eks. støvmaske, skridsikret fodtøj, beskyttelseshjelm eller høreværn afhængig af maskintype og anvendelse nedsætter risikoen for personskader.
 - c) **Undgå utilsigtet igangsætning. Kontrollér, at el-værktøjet er slukket, før du tilslutter det til strømtilførslen og/eller akkuen, løfter eller bærer det.** Undgå at bære el-værktøjet med fingeren på afbryderen og sørg for, at el-værktøjet ikke er tændt, når det slutes til nettet, da dette øger risikoen for personskader.
 - d) **Gør det til en vane altid at fjerne indstillingsværktøj eller skruenøgle, før el-værktøjet tændes.** Hvis et stykke værktøj eller en nøgle sidder i en roterende maskindel, er der risiko for personskader.
 - e) **Undgå en unormal legemssposition. Sørg for at**

stå sikkert, mens der arbejdes, og kom ikke ud af balance. Dermed har du bedre muligheder for at kontrollere el-værktøjet, hvis der skulle opstå uventede situationer.

- f) **Brug egnet arbejdstøj. Undgå løse beklædningsgenstande eller smykker. Hold hår og tøj væk fra dele, der bevæger sig.** Dele, der er i bevægelse, kan gribe fat i løstsiddende tøj, smykker eller langt hår.
 - g) **Hvis støvudsugnings- og opsamlingsudstyr kan monteres, er det vigtigt, at dette tilsluttes og benyttes korrekt.** Brug af en støvopsugning kan reducere støvmængden og dermed den fare, der er forbundet støv.
 - h) **Selvom du kender værktøjet godt og er vant til at bruge det, skal du alligevel være opmærksom og overholde sikkerhedsanvisningerne.** Et øjeblikvis uopmærksomhed kan medføre alvorlige personskader.
- ## 4) OMHYGGELIG OMGANG MED OG BRUG AF EL-VÆRKTØJ
- a) **Undgå overbelastning af el-værktøjet. Brug altid et el-værktøj, der er beregnet til det stykke arbejde, der skal udføres.** Med det passende el-værktøj arbejder man bedst og mest sikkert inden for det angivne effektområde.
 - b) **Brug ikke et el-værktøj, hvis afbryder er defekt.** Et el-værktøj, der ikke kan startes og stoppes, er farlig og skal repareres.
 - c) **Træk stikket ud af stikkontakten og/eller fjern akkuen, hvis den er aftagelig, før maskinen indstilles, før skift af tilbehørsdele eller før el-værktøjet lægges til opbevaring.** Disse sikkerhedsforanstaltninger forhindrer utilsigtet start af el-værktøjet.
 - d) **Opbevar ubenyttet el-værktøj uden for børns rækkevidde. Lad aldrig personer, der ikke er fortrolige med el-værktøjet eller ikke har gennemlæst disse instrukser, benytte el-værktøjet.** El-værktøj er farligt, hvis det benyttes af ukyndige personer.
 - e) **Vedligehold el-værktøj og tilbehørsdele. Kontroller, om bevægelige maskindele fungerer korrekt og ikke sidder fast, og om delene er brækket eller beskadiget, således at el-værktøjets funktion påvirkes. Få beskadigede dele repareret, inden el-værktøjet tages i brug.** Mange uheld skyldes dårligt vedligeholdte el-værktøjer.
 - f) **Sørg for, at skæreværktøjer er skarpe og rene.** Omhyggeligt vedligeholdte skæreværktøjer med skarpe skærekanten sætter sig ikke så hurtigt fast og er nemmere at føre.
 - g) **Brug el-værktøj, tilbehør, indsatsværktøj osv. iht. disse instrukser. Tag hensyn til arbejdsforholdene og det arbejde, der skal udføres.** Anvendelse af el-værktøjet til formål, som ligger uden for det fastsatte anvendelsesområde, kan føre til farlige situationer.
 - h) **Hold håndtag og gribeblader tørre, rene og fri for olie og smørefedt.** Hvis håndtag og gribeblader er glatte, kan værktøjet ikke håndteres og styres sikkert, hvis der sker noget uventet.
- ## 5) OMHYGGELIG OMGANG MED OG BRUG AF AKKU-VÆRKTØJER
- a) **Oplad kun akkuer i ladeaggregater, der er anbefalet**

af fabrikanten. Et ladeaggregat, der er egnet til en bestemt type akkuer, må ikke benyttes med andre akkuer - brandfare.

- b) **Brug kun de akkuer, der er beregnet til værktøjet.** Brug af andre akkuer øger risikoen for personskader og er forbundet med brandfare.
 - c) **Ikke benyttede akkuer må ikke komme i berøring med kontorclips, mønter, nøgler, søm, skruer eller andre små metalgenstande, da disse kan kortslutte kontakterne.** En kortslutning mellem akku-kontakterne øger risikoen for personskader i form af forbrændinger.
 - d) **Hvis akkuen anvendes forkert, kan der slippe væske ud af akkuen. Undgå at komme i kontakt med denne væske. Hvis det alligevel skulle ske, skylles med vand. Søg læge, hvis væsken kommer i øjnene.** Akku-væske kan give hudirritation eller forbrændinger.
 - e) **Brug ikke akkuer eller værktøj, som er beskadiget eller modificeret.** Beskadigede eller modificerede akkuer kan opføre sig uforudsigeligt og forårsage brand, eksplosion eller fare for personskade.
 - f) **Akkuer eller værktøj må ikke udsættes for ild eller meget høje temperaturer.** Ild eller temperaturer over 130°C kan medføre eksplosion.
 - g) **Følg alle instruktioner for opladning. Akkuen må ikke oplades ved temperaturer uden for det område, der er angivet i instruktionerne.** Forkert opladning eller opladning ved temperaturer uden for det angivne område kan medføre skader på akkuen og forøge brandfaren.
- 6) SERVICE**
- a) **Sørg for, at el-værktøj kun reparerer af kvalificerede fagfolk og at der kun benyttes originale reservedele.** Dermed sikres størst mulig maskinsikkerhed.
 - b) **Beskadigede akkuer må aldrig reparerer.** Reparation af akkuer må kun udføres af producenten eller autoriserede reparatører.

SIKKERHEDSINSTRUKSER FOR SLIBEMASKINER

GENERELT

- Dette værktøj må ikke bruges af personer under 16 år
- Denne værktøj er ikke egnet til vandslibning
- **Bearbejd ikke asbestholdigt materiale** (asbest er kræftfremkaldende)
- Fjern batteriet fra værktøjet, før du foretager justeringer på værktøjet eller udskifter tilbehør

TILBEHØR

- SKIL kan kun sikre en korrekt funktion af værktøjet, hvis der benyttes originalt tilbehør
- Slidte, revnede eller hårdt angrebne slibepapir må ikke benyttes

INDEN BRUG

- Undgå skader forårsaget af skruer, søm eller andre materialer i arbejdsstykket; fjern disse før De begynder at arbejde
- Under arbejde med værktøjet kan lydniveauet overstige 85 dB(A); brug høreværn
- Støv fra materiale som f.eks. maling, der indeholder bly, nogle træsorter, mineraler og metal kan være skadeligt (kontakt med eller indånding af støvet kan forårsage allergiske reaktioner og/eller sygdomme i luftvejene hos den, der anvender værktøjet, eller hos omkringstående); **bær en støvmaske og arbej med en støvudsugningsanordning, hvor en sådan kan sluttes til**
- Visse slags støv er klassificeret som kræftfremkaldende

(som f.eks. støv fra eg og bøg) især i forbindelse med tilsætningsstoffer til træbehandling; **bær en støvmaske og arbej med en støvudsugningsanordning, hvor en sådan kan sluttes til**

- Følg de nationale krav, hvad angår støv, for de materialer, du ønsker at arbejde med
- Bær beskyttelseshandsker, beskyttelsesbriller, tætsiddende tøj og hårbeskyttelse (for langt hår)
- **Fastgør emnet** (det er sikrere at holde emner i en fastgøringsanordning eller skruestik end med hånden)
- Ved slibning af metal, opstår gnister; brug ikke støvboks og hold andre personer, såvel som brandbare materialer væk fra arbejdsstedet

UNDER BRUG

- Undgå berøring med det løbende slibepapir
- I tilfælde af elektrisk eller mekanisk fejlfunktion skal der straks slukkes for værktøjet og batteriet tages ud

EFTER BRUG

- Efter endt arbejde skal afbryderen afbrydes og alle bevægelige dele være stoppet før værktøjet sættes til side

BATTERIERNE

- **Det medfølgende batteri (hvis et følger med) er delvist opladet** (for at sikre fuld kapacitet af batteriet skal det oplades helt i batteriopladeren, inden du anvender dit elværktøj første gang)
- **Anvend kun de følgende batterier og batteriopladere, der leveres med dette værktøj**
 - SKIL-batteri: BR1*31****
 - SKIL-oplader: CR1*31****
- Brug ikke batteriet, hvis det er beskadiget. Det skal udskiftes
- Adskil ikke batteriet
- Udsæt ikke værktøjet/batteriet for regn
- Tilladt omgivelsestemperatur (værktøj/oplader/batteri):
 - ved opladning 4...40°C
 - ved drift -20...+50°C
 - ved opbevaring -20...+50°C

FORKLARING TIL SYMBOLERNE PÅ VÆRKTØJET/ BATTERI

- ③ Læs instruktionen inden brugen
- ④ Batterier vil eksplodere, hvis de kommer i ild, så forsøg aldrig at brænde batteriet
- ⑤ Opbevar værktøj/opladeren/batteriet i et lokale, hvor temperaturen ikke overstiger 50°C
- ⑥ Elværktøj og batterier må ikke bortskaffes som almindeligt affald

BETJENING

- Opladning af batteriet
 - ! **Læs sikkerhedsadvarslerne og -anvisningerne, der følger med opladeren**
- Afmontering/montering af batteriet ②
- Indikator for batteritilstand ⑦
 - tryk på indikatorknappen for batteriniveau E for at se batteriets aktuelle status ⑦a
 - ! **batteriet er fladt, hvis den nederste statusindikator begynder at blinke, efter at der er blevet trykket på E ⑦b**
 - ! **hvis 2 niveauer for batteriindikatoren begynder at blinke, efter at der er blevet trykket på knappen E ⑦c, er batteriet ikke i det temperaturområde, hvor betjening er tilladt**
- Batteribeskyttelse

Værktøjet slukker med det samme eller forhindrer at blive startet, hvis

- belastningen er for stor --> fjern belastning og genstart
- batteritemperaturen ikke er inden for det tilladte driftstemperaturområde fra -20 til +50° C --> 2 niveauer for batteriindikatoren begynder at blinke, efter at der er blevet trykket på knappen E ⑦c; vent, indtil batteriet er vendt tilbage til det tilladte driftstemperaturområde
- batteriet er næsten tomt (for at beskytte mod dyb afladning) --> et lavt batteriniveau eller et lavt batteriniveau, hvor indikatoren blinker ⑦b vises af batteriindikatoren, hvis der trykkes på knappen E; oplad batteri

! undlad at betjene kontakten, efter at der er slukket for værktøjet, da det kan beskadige batteriet

- Påsætning af slibepapir ⑧
 - ! fjern batteriet fra værktøjet, før du foretager justeringer på værktøjet eller udskifter tilbehør**
 - ! støvopsugning kræver perforeret slibepapir**
 - ! perforeringen i slibepapiret skal passe til perforeringen i sålen**
 - ! skift slibepapiret i tide**
 - ! anvend værktøjet altid med hele slibefladen dækket med slibepapir**
 - monter VELCRO-slibepapiret som vist på illustrationen
- Støvsugning
 - ! brug ikke støvposen når metal slibes**
 - Støvpose ⑨
 - monter støvposen B
 - tøm støvposen med regelmæssige mellemrum for optimal støvsugning
- Tænd/sluk afbryder
 - tænd/sluk værktøjet ved at trykke afbryderen C ② fremad/bagover
 - ! tænd for værktøjet før det berører arbejdsemnet**
 - ! før der slukkes for værktøjet, skal det løftes op fra arbejdsemnet**
- Håndtering og styring af værktøjet ⑩
 - ! under arbejde, hold altid om værktøjet på de grå markerede grebsområde(r)**
 - hold altid værktøjet parallelt med emnets overflade
 - pres ikke for hårdt på værktøjet; lad slibefladen gøre arbejdet for dig
 - rejs ikke dit værktøj lodret, hvis slibemærker i emnet vil undgås
 - hold ventilationshullerne D ② utildækkede

GODE RÅD

- Til slibning af store overflader, hjørner og kanter bruges værktøjet ⑪
- Brug aldrig det samme slibepapir til slibning af metal og træ
- Anbefalet slibepapirkorn:
 - ved fjernelse af maling og ved slibning af meget ru træ bruges grove kornstørrelser (40, 60)
 - ved slibning af ru eller almindelig træ bruges mellem kornstørrelse (80, 100, 120)
 - ved pudsnings af træ og overflader med gammel maling såvel som ved pudsnings af ubehandlet træ bruges fin kornstørrelse (180, 240, 320)
- Brug forskellige kornstørrelser når arbejdsemnets overflade er ru:
 - begynd at slibe med en grov eller mellem kornstørrelse

- slut med en fin kornstørrelse
- Se yderligere oplysninger på www.skil.com

VEDLIGEHOLDELSE/SERVICE

- Hold værktøjet og ledningen ren (især ventilationshullerne D ②)
 - fjern fasthængende slibestøv med en pensel
 - tag batteriet ud af værktøjet inden rengøring
- Skulle elværktøjet trods omhyggelig fabrikation og kontrol skulle holde op med at fungere, skal reparationen udføres af et autoriseret serviceværksted for SKIL-elektroværktøj
 - send det **ikke adskilte** værktøj sammen med et købsbevis til forhandleren eller nærmeste SKIL-serviceværksted (adresser og reservedelstegning af værktøjet findes på www.skil.com)
- Husk, at beskadigelse som følge af overbelastning eller forkert håndtering af værktøjet ikke er omfattet af garantien (se www.skil.com vedrørende SKIL-garantibetingelserne, eller spørg din forhandler)

MILJØ

- **Elværktøj, batterier, tilbehør og emballage må ikke bortskaffes som almindeligt affald** (kun for EU-lande)
 - i henhold til det europæiske direktiv 2012/19/EF om bortskaffelse af elektriske og elektroniske produkter og gældende national lovgivning, skal brugt elværktøj indsamles separat og bortskaffes på en måde, der skåner miljøet mest muligt
 - symbolet ⑥ erindrer dig om dette, når udskiftning er nødvendig
- ! beskyt batteri terminaler med bredt tape for at undgå kortslutning**

STØJ / VIBRATION

- Målt i henhold til EN 62841 er lydtryksniveauet for dette værktøj 82 dB(A) og lydeffektniveauet 90 dB(A) (usikkerhed K = 3 dB), og vibrationen 3,46 m/s² (triax vector sum; usikkerhed K = 1.5 m/s²)
- Vibrationsniveauet er målt i henhold til den standardiserede test som anført i EN 62841. Det kan benyttes til at sammenligne to stykker værktøj og som en foreløbig bedømmelse af udsættelsen for vibrationer, når værktøjet anvendes til de nævnte form
 - anvendes værktøjet til andre formål eller med andet eller dårligt vedligeholdet tilbehør, kan dette **øge** udsættelsesniveauet betydeligt
 - de tidsrum, hvor værktøjet er slukket, eller hvor det kører uden reelt at udføre noget arbejde, kan **reducere** udsættelsesniveauet betydeligt
- ! beskyt dig selv imod virkningerne af vibrationer ved at vedligeholde værktøjet og dets tilbehør, ved at holde dine hænder varme og ved at organisere dine arbejdsmonstre**

N

**Børsteløs, trådløs
flerputeslipemaskin**

3715

INTRODUKSJON

- Dette verktøyet er beregnet til tørr sliping av tre, plast,

- metall, sparkelmasse og lakkerte overflater
- Dette verktøyet er ikke beregnet på sliping av gips
- Les og ta vare på denne brukerveiledningen ③

TEKNISKE DATA ①

VERKTØYELEMENTER ②

- A Bakpute
- B Støvpose
- C Av/på bryter
- D Ventilasjonsåpninger
- E Batterinivåindikator

SIKKERHET

GENERELLE ADVARSLER FOR ELEKTROVERKTØY

⚠ ADVARSEL Les alle sikkerhetsadvarsler, instruksjoner, illustrasjoner og spesifikasjoner som følger med dette elektroverktøyet. Hvis du unnlater å følge noen av instruksjonene som er listet opp ovenfor, kan det føre til elektrisk støt, brann og/eller alvorlige personskader.

Ta godt vare på alle advarslene og informasjonene.

Det nedenstående anvendte uttrykket "elektroverktøy" gjelder for strøm-drevne (med ledning) og batteridrevne elektroverktøy (uten ledning).

1) SIKKERHET PÅ ARBEIDSPLASSEN

- a) **Hold arbeidsområdet rent og ryddig.** Rotete arbeidsområder eller arbeidsområder uten lys kan føre til ulykker.
- b) **Ikke arbeid med elektroverktøyet i eksplosjonsfarlige atmosfærer – der det befinner seg brennbare væsker, gass eller støv.** Elektroverktøy lager gnister som kan antenne støv eller damper.
- c) **Hold barn og andre personer unna når elektroverktøyet brukes.** Hvis du blir forstyrret under arbeidet, kan du miste kontrollen over elektroverktøyet.

2) ELEKTRISK SIKKERHET

- a) **Støpselet til elektroverktøyet må passe inn i stikkkontakten. Støpselet må ikke forandres på noen som helst måte. Ikke bruk adapterstøpsler sammen med jordede maskiner.** Bruk av støpsler som ikke er forandret på og passende stikkontakter reduserer risikoen for elektriske støt.
- b) **Unngå kroppskontakt med jordede overflater slik som rør, ovner, komfyrer og kjøleskap.** Det er større fare ved elektriske støt hvis kroppen din er jordet.
- c) **Hold elektroverktøyet unna regn eller fuktighet.** Dersom det kommer vann i et elektroverktøy, øker risikoen for elektriske støt.
- d) **Ikke bruk ledningen til andre formål, f.eks. til å bære elektroverktøyet, henge den opp eller trekke den ut av stikkkontakten. Hold ledningen unna varme, olje, skarpe kanter eller maskindeler som beveger seg.** Med skadede eller opphopede ledninger øker risikoen for elektriske støt.
- e) **Når du arbeider utendørs med et elektroverktøy, må du kun bruke en skjøteledning som er godkjent til**

utendørs bruk. Når du bruker en skjøteledning som er egnet for utendørs bruk, reduseres risikoen for elektriske støt.

- f) **Hvis det ikke kan unngås å bruke elektroverktøyet i fuktige omgivelser, må du bruke en jordfeilbryter.** Bruk av en jordfeilbryter reduserer risikoen for elektriske støt.
- #### 3) PERSONSIKKERHET
- a) **Vær oppmerksom, pass på hva du gjør, gå fornuftig frem når du arbeider med et elektroverktøy. Ikke bruk elektroverktøyet når du er trett eller er påvirket av narkotika, alkohol eller medikamenter.** Et øyeblikks uoppmerksomhet ved bruk av elektroverktøyet kan føre til alvorlige skader.
 - b) **Bruk personlig verneutstyr og husk alltid å bruke vernebriller.** Bruk av personlig sikkerhetsutstyr som støvmaske, sklifaste arbeidssko, hjelm eller hørselvern – avhengig av type og bruk av elektroverktøyet – reduserer risikoen for skader.
 - c) **Unngå å starte verktøyet ved en feiltagelse. Forviss deg om at elektroverktøyet er slått av før du kobler det til strømmen og/eller batteriet, løfter det opp eller bærer det.** Hvis du holder fingeren på bryteren når du bærer elektroverktøyet eller kobler elektroverktøyet til strømmen i innkoblet tilstand, kan dette føre til uhell.
 - d) **Fjern innstillingsverktøy eller skrunøkler før du slår på elektroverktøyet.** Et verktøy eller en nøkkel som befinner seg i en roterende maskindel, kan føre til skader.
 - e) **Ikke overvurder deg selv. Sørg for å stå stødig og i balanse.** Dermed kan du kontrollere elektroverktøyet bedre i uventede situasjoner.
 - f) **Bruk alltid egnede klær. Ikke bruk vide klær eller smykker. Hold hår og klær unna deler som beveger seg.** Løstsittende tøy, smykker eller langt hår kan komme inn i deler som beveger seg.
 - g) **Hvis det kan monteres støvavsug- og oppsamlingsinnretninger, må du forviss deg om at disse er tilkoblet og brukes på korrekt måte.** Bruk av et støvavsug reduserer faren på grunn av støv.
 - h) **Selv når du er blitt vant til verktøyet, må du ikke bli sløv og ignorere sikkerhetsreglene for verktøyet.** En uforsiktig handling kan forårsake alvorlig personskade i løpet av et brøkdels sekund.
- #### 4) AKTSOM HÅNTERING OG BRUK AV ELEKTROVERKTØY
- a) **Ikke overbelast elektroverktøyet. Bruk et elektroverktøy som er beregnet til den type arbeid du vil utføre.** Med et passende elektroverktøy arbeider du bedre og sikrere i det angitte effektområdet.
 - b) **Ikke bruk elektroverktøy med defekt på-/avbryter.** Et elektroverktøy som ikke lenger kan slås av eller på, er farlig og må repareres.
 - c) **Trekk støpselet ut av stikkkontakten og/eller fjern batteriet (hvis demonterbart) før du utfører innstillinger på elektroverktøyet, skifter tilbehørsdeler eller legger elektroverktøyet bort.** Disse tiltakene forhindrer en utilsiktet startung av elektroverktøyet.
 - d) **Elektroverktøy som ikke er i bruk må oppbevares utilgjengelig for barn. Ikke la elektroverktøyet brukes av personer som ikke er fortrolig med dette eller ikke har lest disse anvisningene.** Elektroverktøy er farlige når de brukes av uerfarne personer.

- e) **Vær nøye med vedlikeholdet av elektroverktøyet og tilbehøret. Kontroller om bevegelige maskindeler fungerer feilfritt og ikke klemmes fast, og om deler er brukt eller skadet, slik at dette innvirker på elektroverktøyet funksjon. La skadede deler repareres før elektroverktøyet brukes.** Dårlig vedlikeholdte elektroverktøy er årsaken til mange uhell.
- f) **Hold skjæreverktøyene skarpe og rene.** Godt stelte skjæreverktøy med skarpe skjær setter seg ikke så ofte fast og er lettere å føre.
- g) **Bruk elektroverktøy, tilbehør, verktøy osv. i henhold til disse anvisningene. Ta hensyn til arbeidsforholdene og arbeidet som skal utføres.** Bruk av elektroverktøy til andre formål enn det som er angitt kan føre til farlige situasjoner.
- h) **Hold håndtak og gripeflater tørre, rene og uten olje eller fett.** Glatte håndtak og gripeflater hindrer sikker håndtering og styring av verktøyet i uventede situasjoner.
- 5) AKTSOM HÅNDTERING OG BRUK AV BATTERIDREVNE VERKTØY**
- a) **Lad batteriet kun opp i ladere som er anbefalt av produsenten.** Det oppstår brannfare hvis en lader som er egnet til en bestemt type batterier, brukes med andre batterier.
- b) **Bruk derfor kun riktig type batterier for elektroverktøyene.** Bruk av andre batterier kan medføre skader og brannfare.
- c) **Hold batteriet som ikke er i bruk unna binders, mynter, nøkler, spikre, skruer eller andre mindre metallgjenstander, som kan lage en forbindelse mellom kontaktene.** En kortslutning mellom batterikontaktene kan føre til forbrenninger eller brann.
- d) **Ved gal bruk kan det lekkte væske ut av batteriet. Unngå kontakt med denne væsken. Ved tilfeldig kontakt må det skylles med vann. Hvis det kommer væske i øynene, må du i tillegg oppsøke en lege.** Batterivæske som renner ut kan føre til irrasjoner på huden eller forbrenninger.
- e) **Ikke bruk batteriet eller verktøyet hvis det er skadet eller modifisert.** Ødelagte eller modifiserte batterier kan oppføre seg uforutsigbart, noe som kan føre til brann, eksplosjon eller fare for personskade.
- f) **Ikke utsett batteriet eller verktøyet for åpen ild eller for høye temperaturer.** Eksponering for ild eller temperaturer over 130 °C kan forårsake eksplosjon.
- g) **Følg alle ladeinstruksjoner, og ikke lad batteriet eller verktøyet utenfor temperaturområdet som er spesifisert i bruksanvisningen.** Feil lading eller lading ved temperaturer utenfor det spesifiserte temperaturområdet, kan skade batteriet og øke brannfaren.
- 6) SERVICE**
- a) **Maskinen din skal alltid kun repareres av kvalifisert fagpersonale og kun med originale reservedeler.** Slik opprettholdes elektroverktøyet sikkerhet.
- b) **Ikke utfør service på ødelagte batterier.** Service på batterier skal alltid utføres av produsenten eller godkjente forhandlere.

SIKKERHETSANVISNINGER FOR SLIPERE

GENERELL

- Verktøyet må ikke brukes av personer under 16 år

- Dette verktøyet passer ikke for vannsliping
- **Ikke bearbeid asbestholdig material** (asbest kan fremkalle kreft)
- Fjern batteriet fra verktøyet før du foretar noen justeringer eller endrer tilbehør

TILBEHØR

- SKIL kan kun garantere et feilfritt verktøy dersom originaltilbehør brukes
- Slitte, revnet eller tiltettet slipepapir må ikke brukes videre

FØR BRUK

- Unngå skade pga. skruer, spiker eller andre elementer i arbeidsstykket; fjernes før man starter jobben
- Støynivået under arbeid kan overskride 85 dB(A); bruk hørselvern
- Støv fra materialer som blyholdig maling, visse tresorter, mineraler og metall kan være skadelig (kontakt med eller inhalering av støv kan gi allergiske reaksjoner og/eller sykdommer i åndedretsorganene for brukeren eller personer i nærheten); **bruk støvmaske og arbeid med støvfjerningsutstyr når det er mulig**
- Visse typer støv er klassifisert som kreftfremkallende (som f.eks. støv fra eik og bøk), spesielt sammen med tilsetningsstoffer for trebehandling; **bruk støvmaske og arbeid med støvfjerningsutstyr når det er mulig**
- Følg de nasjonale krav, når det gjelder støv for de materialer du ønsker å arbeide med
- Bruk beskyttelsesansikts, vernebriller, tetsittende klær og hårmnett (ved langt hår)
- **Sett fast arbeidsstykket** (et arbeidsstykke som er sikret med klemmer, sitter sikrere enn om det holdes fast for hånd)
- Ved sliping av metall vil det gnistre; bruk ikke støvboks og hold andre personer og brennbar materiale unna arbeidsområdet

UNDER BRUK

- Ikke berør slipepapiret når det er igang
- Hvis det skulle oppstå en elektrisk eller mekanisk svikt, må du umiddelbart slå av verktøyet og ta ut batteriet

ETTER BRUK

- Når du setter bort verktøyet må bryteren slås av, bevegelige deler må være helt stoppet

BATTERIENE

- **Batteriet som følger med, hvis det finnes, er delvis oppladet** (for å få batteriets fulle kapasitet, lad batteriet helt opp ved bruk av batteriladere før verktøyet tas i bruk for første gang)
- **Bare bruk følgende batterier og ladere med dette verktøyet**
 - SKIL-batteri: BR1*31****
 - SKIL-lader: CR1*31****
- Bruk ikke batteriet når det er skadet; det må byttes ut umiddelbart
- Ikke demonter batteriet
- Ikke utsett verktøyet/batteriet for regn
- Tillatt omgivelsestemperatur (verktøy/lader/batteri):
 - ved lading 4...+40 °C
 - ved drift -20...+50°C
 - ved lagring -20...+50 °C

FORKLARING AV SYMBOLER PÅ VERKTØY/BATTERI

- ③ Les instruksjonsboken for bruk
- ④ Batterier vil eksplodere hvis de blir brent, derfor må man aldri brenne batteriene
- ⑤ Oppbevar verktøy/lader/batteriet på et sted der temperaturen ikke overstiger 50 °C
- ⑥ Kast aldri elektroverktøy og batterier i

BRUK

- Batteriladning
 - ! les sikkerhetsadvarslene og instruksene levert med laderen**
- Fjerne/installere batteriet ②
- Indikator for batteristatus ⑦
 - trykk inn indikatorknappen for batteriladning E for å se inneværende batteriladningen ⑦a
 - ! hvis indikatoren for batteriladning begynner å blinke etter du har trykket på knappen E ⑦b, er batteriet tomt**
 - ! hvis 2 indikatoren for batteriladning begynner å blinke etter du har trykket på knappen E ⑦c, er batteriet ikke innenfor tillatt driftstemperaturområdet**
- Batterivern
 - Verktøyet blir plutselig slått av eller blir forhindret fra å startes når
 - **belastningen er for høy** --> fjern belastningen og start på nytt
 - **batteriets temperatur ikke er innenfor tillatt driftstemperaturområdet som er -20 til 50°C** --> 2 indikatoren for batteriladning begynner å blinke etter du har trykket på knappen E ⑦c; vent til batteriet er innenfor det tillatte driftstemperaturområdet
 - **batteriet er nesten tomt (for å beskytte mot full utladning)** --> et lavt batterinivå eller et blinkende lavt batteri nivå ⑦b vises ved at indikatoren for batteriladning begynner å blinke etter du har trykket på knappen E; lad batteriet
 - ! ikke fortsett å skru verktøyet av og på etter at det er slått av automatisk; dette kan skade batteriet**
- Montering av slipepapir ⑧
 - ! fjern batteriet fra verktøyet før du foretar noen justeringer eller endrer tilbehør**
 - ! støvavsuguet krever perforert slipepapir**
 - ! perforeringen i slipepapiret må passe til slipesålen**
 - ! bytt brukte slipepapir i tide**
 - ! bruk alltid verktøyet med hele slipeflaten dekket med slipepapir**
 - monter VELCRO (borrelås) slipepapir som vist
- Støvsuging
 - ! bruk ikke støvposen ved sliping av metall**
 - Støvpose ⑨
 - monter støvposen B
 - tøm støvposen regelmessig for optimalt støvavsug
- Av/på bryter
 - slå på/av verktøyet ved å trykke bryteren C ② fremover/bakover
 - ! før slipeflate kommer i kontakt med arbeidsstykket, bør du slå på verktøyet**
 - ! før verktøyet slås av, løft det bort fra arbeidsstykket**
- Grep og styring av verktøyet ⑩
 - ! under arbeid, hold verktøyet alltid i grått (gråe) grepsområde(r)**
 - før verktøyet parallelt med arbeidsoverflaten
 - ikke øv for mye press på verktøyet; la slipeflaten gjøre jobben for deg
 - unngå å føre verktøyet på skrå, da dette vil føre til riper
 - hold ventilasjonsåpningen D ② utilddekket

BRUKER TIPS

- Bruk verktøyet til å slippe store overflater, hjørner og kanter ⑪
- Bearbeid aldri tre og metall med samme slipepapir
- Anbefalt slipepapir korning:
 - for fjerning av maling og sliping av ekstremt ujevnt treverk, bruk sandpapir med grov korning (40, 60)
 - for sliping av ujevnt eller uhøvlet treverk, bruk sandpapir med middels korning (80, 100, 120)
 - for finsliping av tre og overflater med gammel maling og finsliping av ubehandlet tre, bruk sandpapir med fin korning (180, 240, 320)
- Bruk forskjellig korning når arbeidsflaten er ujevn:
 - start sliping med grov eller medium korning
 - avslutt med fin korning
- Se www.skil.com for mer informasjon

VEDLIKEHOLD / SERVICE

- Hold alltid verktøyet og kabelen ren (spesielt ventilasjonshullene D ②)
 - fjern slipestøv med en pensel
 - ta batteriet ut av verktøyet før rengjøring
- Hvis elektroverktøyet til tross for omhyggelige produksjons- og kontrollmetoder en gang skulle svikte, må reparasjonen utføres av et autorisert serviceverksted for SKIL-elektroverktøy
 - send verktøyet i **montert** tilstand sammen med kjøpebevis til forhandleren eller nærmeste SKIL servicesenter (adresser liksom service diagram av verktøyet finner du på www.skil.com)
- Vær klar over at skade som skyldes overbelastning eller feilbehandling av verktøyet ikke dekkes av garantien (for SKIL garanti-betingelser se www.skil.com eller spør din forhandler)

MILJØ

- Kast aldri elektroverktøy, batterier, tilbehør og emballasje i husholdningsavfallet** (kun for EU-land)
 - i henhold til EU-direktiv 2012/19/EF om kasserte elektriske og elektroniske produkter og direktivets iverksetting i nasjonal rett, må elektroverktøy som ikke lenger skal brukes, samles separat og returneres til et miljøvennlig gjenvinningsanlegg
 - symbolet ⑥ er påtrykt som en påminnelse når utskiftning er nødvendig
 - ! før batteriene kastes, tape over polene med tykk tape for å unngå kortslutning**

STØY / VIBRASJON

- Målt i samsvar med EN 62841, lydtrykksnivået til dette verktøyet er 82 dB(A) og lydeffektnivået er 90 dB(A) (usikkerhet K = 3 dB) og vibrasjonen 3,46 m/s² (triaks vektorsum usikkerhet K = 1,5 m/s²)
- Vibrasjonsnivået er målt i samsvar med en standardisert test som er angitt i EN 62841; den kan brukes til å sammenligne et verktøy med et annet, og som et foreløpig overslag over eksponering for vibrasjoner ved bruk av verktøyet til de oppgavene som er nevnt
 - bruk av verktøyet til andre oppgaver, eller med annet eller mangelfullt vedlikeholdt utstyr, kan gi en vesentlig **økning** av eksponeringsnivået
 - tidsrommene når verktøyet er avslått eller når det går

men ikke arbeider, kan gi en vesentlig **reduksjon** av eksponeringsnivået

! beskytt deg selv mot virkningene av vibrasjoner ved å vedlikeholde verktøyet og utstyret, holde hendene varme og organisere arbeidsmåten din

FIN

Harjaton akkukäyttöinen yhdistelmähiomakone 3715

ESITTELY

- Tätä työkalua on tarkoitettu puun, muovin, metallin, spakkelin ja lakattujen pintojen kuivahiontaan
- Tätä työkalua ei ole tarkoitettu kipsin hiontaan
- Lue ja säilytä tämä ohjekirja ③

TEKNISEET TIEDOT ①

LAITTEEN OSAT ②

- A Hiomalautanen
- B Pölypussi
- C Virtakytkin
- D Ilmanvaihto-aukko
- E Akun lataustilan merkkivalo

TURVALLISUUS

YLEISET SÄHKÖTYÖKALUJEN TURVALLISUUTEEN LIITTYVÄT VAROITUKSET

VAROITUS: Pehedy kaikkiin tämän sähkötyökalun mukana toimitettuihin varoituksiin, ohjeisiin, kuviin ja teknisiin tietoihin. Jos kaikkia alla olevia ohjeita ei noudateta, seurauksena voi olla sähköisku, tulipalo ja/tai vakava loukkaantuminen.

Säilytä kaikki turvallisuus- ja muut ohjeet tulevaisuuttä varten.

Turvallisuusohjeissa käytetty käsite "sähkötyökalu" käsittää verkkokäyttöisiä sähkötyökaluja (verkkojohdolla) ja akkukäyttöisiä sähkötyökaluja (ilman verkkojohtoa).

1) TYÖPAIKAN TURVALLISUUS

- Pidä työskentelyalue puhtaana ja hyvin valaistuna.** Työpaikan epäjärjestys tai valaisemattomat työalueet voivat johtaa tapaturmiin.
- Älä työskentele sähkötyökalulla räjähdysalttiissa ympäristössä, jossa on palavaa nestettä, kaasua tai pölyä.** Sähkötyökalu muodostaa kipinöitä, jotka saattavat sytyttää pölyn tai höyryt.
- Pidä lapset ja sivulliset loitolla sähkötyökalua käyttäessäsi.** Voit menettää laitteesi hallinnan, huomiosi suuntautuessa muualle.

2) SÄHKÖTURVALLISUUS

- Sähkötyökalun pistotulpan tulee sopia pistorasiaan.** Pistotulppaa ei saa muuttaa millään tavalla. Älä käytä mitään pistorasia-adaptoreita maadoitettujen sähkötyökalujen kanssa. Alkuperäisessä kunnossa olevat pistotulpat ja sopivat pistorasiat vähentävät

sähköiskun vaaraa.

- Vältä koskettamista maadoitettuja pintoja, kuten putkia, pattereita, liesiä tai jääkaappeja.** Sähköiskun vaara kasvaa, jos kehosi on maadoitettu.
 - Älä aseta sähkötyökalua alttiiksi sateelle tai kosteudelle.** Veden tunkeutuminen sähkötyökalun sisään kasvattaa sähköiskun riskiä.
 - Älä käytä verkkojohtoa väärin. Älä käytä sitä sähkötyökalun kantamiseen, vetämiseen tai pistotulpan irrottamiseen pistorasiasta.** Pidä johto loitolla kuumuudesta, öljystä, terävistä reunoista ja liikkuvista osista. Vahingoittuneet tai sotkeutuneet johdot kasvattavat sähköiskun vaaraa.
 - Käyttäessäsi sähkötyökalua ulkona, käytä ainoastaan ulkokäyttöön soveltuvaa jatkojohtoa.** Ulkokäyttöön soveltuvan jatkojohdon käyttö pienentää sähköiskun vaaraa.
 - Jos sähkötyökalun käyttö kosteassa ympäristössä ei ole vältettävissä, tulee käyttää maavuotokatkaisijaa.** Maavuotokatkaisijan käyttö vähentää sähköiskun vaaraa.
- #### 3) HENKILÖTURVALLISUUS
- Ole valpas, kiinnitä huomiota työskentelyysi ja noudata tervettä järkeä sähkötyökalua käyttäessäsi. Älä käytä sähkötyökalua, jos olet väsynyt tai huumeiden, alkoholin tahi lääkkeiden vaikutuksen alaisena.** Hetken tarkkaamattomuus sähkötyökalua käytettäessä, saattaa johtaa vakavaan loukkaantumiseen.
 - Käytä suojavarusteita. Käytä aina suojalaseja.** Henkilökohtaisen suojavarustuksen käyttö, kuten pölynaamarin, luistamattomien turvakenkien, suojakypärän tai kuulonsuojaimien, riippuen sähkötyökalun lajista ja käyttötavasta, vähentää loukkaantumisriskiä.
 - Vältä tahatonta käynnistämistä. Varmista, että sähkötyökalu on poiskytkettyä, ennen kuin liität sen sähköverkkoon ja/tai liität akun, otat sen käteen tai kannat sitä.** Jos kannat sähkötyökalua sormi käynnistyskytkimellä tai kytket sähkötyökalun pistotulpan pistorasiaan, käynnistyskytkimen ollessa käyntiasennossa, altistat itsesi onnettomuuksille.
 - Poista kaikki säätötyökalut ja ruuvitalat, ennen kuin käynnistät sähkötyökalun.** Työkalu tai avain, joka sijaitsee laitteen pyörivässä osassa, saattaa johtaa loukkaantumiseen.
 - Älä yllarvioi itseäsi. Huolehdi aina tukevasta seisoma-asennosta ja tasapainosta.** Täten voit paremmin hallita sähkötyökalua odottamattomissa tilanteissa.
 - Käytä tarkoitukseen soveltuvia vaatteita. Älä käytä löysiä työvaatteita tai koruja. Pidä hiukset ja vaatteet pois liikkuvien osien ulottuvilta.** Väljät vaatteet, korut ja pitkät hiukset voivat takertua liikkuviin osiin.
 - Jos pölynimu- ja keräilylaitteita voidaan asentaa, tulee sinun tarkistaa, että ne on liitetty ja että ne käytetään oikealla tavalla.** Pölynimulaitteiston käyttö vähentää pölyn aiheuttamia vaaroja.
 - Työskentele keskittyneesti ja noudata aina turvallisuusmääräyksiä.** Hetkellinenkin huolimattomuus voi aiheuttaa vakavia vammoja.
- #### 4) SÄHKÖTYÖKALUJEN KÄYTTÖ JA HOITO
- Älä ylikuormita laitetta. Käytä kyseiseen työhön**

tarkoitettua sähkötyökäluä. Sopivaa sähkötyökäluä käyttäen työskentelet paremmin ja varmemmin tehoalueella, jolle sähkötyökälu on tarkoitettu.

- b) **Älä käytä sähkötyökäluä, jota ei voida käynnistää ja pysäyttää käynnistyskytkimestä.** Sähkötyökälu, jota ei enää voida käynnistää ja pysäyttää käynnistyskytkimellä, on vaarallinen ja se täytyy korjata.
- c) **Irrota pistotulppa pistorasiasta ja/tai irrota akku (jos irrotettava) sähkötyökäluästä, ennen kuin suoritat säätöjä, vaihdat tarvikkeita tai viet sähkötyökäluä varastoon.** Nämä turvatoimenpiteet pienentävät sähkötyökäluä tahattoman käynnistysriskin.
- d) **Säilytä sähkötyökäluä poissa lasten ulottuvilta, kun niitä ei käytetä. Älä anna sellaisten henkilöiden käyttää sähkötyökäluä, jotka eivät tunne sitä tai jotka eivät ole lukeneet tätä käyttöohjetta.** Sähkötyökäluä ovat vaarallisia, jos niitä käyttävät kokemattomat henkilöt.
- e) **Pidä sähkötyökäluä ja tarvikkeet hyvässä kunnossa.** Tarkista, että liikkuvat osat toimivat moitteettomasti, eivätkä ole puristuksessa sekä, että siinä ei ole murtuneita tai vahingoittuneita osia, jotka saattaisivat vaikuttaa haitallisesti sähkötyökäluä toimintaan. Anna korjauttaa mahdolliset viat ennen käyttöönottoa. Monen tapaturman syyt löytyvät huonosti huolletuista laitteista.
- f) **Pidä leikkausterät terävinä ja puhtaina.** Huolellisesti hoidetut leikkaustyökäluä, joiden leikkausreunat ovat teräviä, eivät tartu helposti kiinni ja niitä on helpompi hallita.
- g) **Käytä sähkötyökäluä, tarvikkeita, vaihtotyökäluä jne. näiden ohjeiden mukaisesti. Ota tällöin huomioon työolosuhteet ja suoritettava toimenpide.** Sähkötyökäluä käyttö muuhun kuin sille määrättyyn käyttöön, saattaa johtaa vaarallisiin tilanteisiin.
- h) **Pidä kahvat ja kädensijat kuivina ja puhtaina (öljyttöminä ja rasvattomina).** Jos kahvat ja kädensijat ovat liukkaita, et pysty yllättävissä tilanteissa ohjaamaan ja hallitsemaan työkaluä turvallisesti.
- 5) AKKUKÄYTTÖISTEN SÄHKÖTYÖKÄLUJEN KÄYTTÖ JA HOITO**
- a) **Lataa akku vain valmistajan määräämässä latauslaitteessa.** Latauslaite, joka soveltuu määrätyn tyyppiselle akulle, saattaa muodostaa tulipalovaaran erilaista akkuä ladattaessa.
- b) **Käytä sähkötyökäluä ainoastaan kyseiseen sähkötyökäluäun tarkoitettua akkuä.** Jonkun muun akun käyttö saattaa johtaa loukkaantumiseen ja tulipaloon.
- c) **Pidä irrallista akkuä loitolla metalliesineistä, kuten paperinliittimistä, kolikoista, avaimista, nauloista, ruuveista tai muista pienistä metalliesineistä, jotka voivat oikosulkea akun koskettimet.** Akkukoskettimien välinen oikosulku saattaa aiheuttaa palovammoja tai johtaa tulipaloon.
- d) **Väärästä käytöstä johtuen saattaa akusta vuotaa nestettä, jota ei tule koskettaa. Jos nestettä vahingossa joutuu iholle, huuhtele kosketuskohta vedellä. Jos nestettä pääsee silmiin, tarvitaan tämän lisäksi lääkärin apua.** Akusta vuotava neste saattaa aiheuttaa ärsytystä ja palovammoja.
- e) **Älä käytä akkuä tai työkaluä, joka on vioittunut tai johon on tehty muutoksia.** Jos akut ovat vioittuneet

tai niihin on tehty muutoksia, ne voivat toimia ennalta arvaamattomasti ja aiheuttaa tulipalon, räjähdysten tai loukkaantumisvaaran.

- f) **Älä altista akkuä tai työkaluä tulelle tai äärimmäisille lämpötiloille.** Tullelle tai yli 130°C asteen lämpötilalle altistaminen saattaa aiheuttaa räjähdysten.
- g) **Noudata latausohjeita ja lataa akku tai työkalu ohjeenmukaisen lämpötila-alueen rajoissa.** Lataaminen virheellisesti tai ohjeiden vastaisessa lämpötilassa saattaa vaurioittaa akkuä ja lisätä palovaaraa.
- 6) HUOLTO**
- a) **Anna koulutettujen ammattihenkilöiden korjata sähkötyökäluäsi ja hyväksy korjauksiin vain alkuperäisiä varaosia.** Täten varmistat, että sähkötyökälu säilyy turvallisena.
- b) **Älä missään tapauksessa yritä itse korjata vaurioituneita akkuä.** Akkuä saa korjata vain valmistaja tai valtuutettu huoltopiste.

HIOMAKONEEN TURVALLISUUSOHJEET

YLEISTÄ

- Tätä työkaluä saavat käyttää vain 16 vuotta täyttäneet henkilöt
- Tämä kone ei ole tarkoitettu vesihiontaan
- **Älä koskaan työstä asbestipitoista ainetta** (asbestia pidetään karsinogeenisena)
- Irrota akku työkaluästä ennen säätöjen tekemistä tai tarvikkeiden vaihtamista

VARUSTEET

- SKIL pystyy takaamaan työkaluä moitteettoman toiminnan vain, kun käytetään alkuperäisiä tarvikkeita
- Älä jatka kuluneiden, repeytyneiden tai voimakkaasti tukkeutuneiden paperin käyttämistä

ENNEN KÄYTTÖÄ

- Vältä vaaralliset vahingot, jotka voivat aiheutua nauloista, ruuveista tai muista aineista työstettävissä materiaalissa; poista ne ennen työskentelyä aloittamista
- Työskenneltäessä melutaso saattaa ylittää 85 dB(A); jolloin suositellaan kuulosuojaimien käyttöä
- Materiaaleista, kuten lyijypitoinen maali, jotkut puulajit, mineraalit ja metalli, tuleva pöly voi olla vahingollista (kosketuksiin joutuminen pölyn kanssa tai sen sisään hengittäminen voi aiheuttaa käyttäjälle tai sivustakatojille allergiareaktioita ja/tai hengitysvairoja); **käytä pölynaamaria ja työskentele pölynpoistolaitteen kanssa, kun sellainen on liitettävissä**
- Tietänyttyypiset pölyt on luokiteltu karsinogeenisiksi (kuten tammi- ja pyökkipöly) erityisesti puun käsittelyyn käytettävien lisäaineiden yhteydessä; **käytä pölynaamaria ja työskentele pölynpoistolaitteen kanssa, kun sellainen on liitettävissä**
- Noudata maakohtaisia pölyyn liittyviä säätöjä
- Käytä suojakäsineitä, suojauslasia, vartalonsuojainta vaatetusta ja suojaa pitkät hiukset
- **Kiinnitä työstettävä kappale** (kiinnittimeen tai puristimeen kiinnitetty työstettävä kappale pysyy tukevammin paikoillaan kuin käsin pidettäessä)
- Metallia hiottaessa syntyy kipinöitä; älä käytä pölylaatikkoa ja huolehdi siitä, ettei lähellä ole muita henkilöitä eikä tulenarkoja materiaaleja

KÄYTÖN AIKANA

- Älä kosketa liikkuvaa hiomapaperiin

- Jos huomaat sähköisen tai mekaanisen vian, sammuta kone heti ja irrota akku

KÄYTÖN JÄLKEEN

- Kun panet koneen pois, sammuta moottori ja varmista, että kaikki liikkuvat osat ovat pysähtyneet

AKKU

- **Mukana toimitettu akku, jos sellainen on, toimitetaan osittain ladattuna** (varmista akun täysi kapasiteetti lataamalla se täyteen akkulaturissa, ennen kuin käytät sähkötyökälua ensimmäistä kertaa)
- **Käytä tämän työkalun yhteydessä vain seuraavia akkuja ja latureita**
 - SKIL-akku: BR1*31****
 - SKIL-laturi: CR1*31****
- Älä käytä vahingoittunutta akkua, vaan vaihda se
- Älä pura akkua
- Suojele konettasi/akkua sateelta
- Sallittu ympäristön lämpötila (työkalu/latauslaite/akku):
 - ladattaessa 4...+40°C
 - käytössä -20...+50°C
 - varastoinnissa -20...+50°C

TYÖKALUN/AKUN SYMBOLIEN SELITYKSET

- ③ Lue käyttöohjeet ennen käyttöä
- ④ Akut räjähtävät, jos ne hävitetään polttamalla, joten älä missään tapauksessa polta niitä
- ⑤ Säilytä konettasi/latauslaitetta/akkua paikoissa, joissa lämpötila ei nouse yli 50°C
- ⑥ Älä hävitä sähkötyökälua ja paristoja tavallisen kotitalousjätteen mukana

KÄYTTÖ

- Akun lataus
- **lue laturin mukana toimitetut varoitukset ja ohjeet**
- Akun poistaminen/asentaminen ②
- Akun lataustilan merkkivalo ⑦
 - paina akun varaustilan painiketta E akun senhetkisen varauksen esittämiseksi ⑦a
 - ! **jos varaustilan ilmaisimen alin taso alkaa vilkkua, kun olet painanut painiketta E ⑦b, akku on tyhjä**
 - ! **jos varaustilan ilmaisimen 2 tasoa alkaa vilkkua, kun olet painanut painiketta E ⑦c, akku ei ole sallitulla käyttölämpötila-alueella**
- Akun suojaus

Työkalu kytkeytyy äkillisesti pois päältä tai sen päälle kytkeminen estetään, jos

 - **kuormitus on liian suuri** --> poista kuorma ja käynnistä työkalu uudestaan
 - **akun lämpötila ei ole sallitulla käyttölämpötila-alueella -20...+50 °C** --> varaustilan ilmaisimen 2 tasoa alkaa vilkkua, kun painat painiketta E ⑦c - odota kunnes akku on palautunut sallitulle käyttölämpötila-alueelle
 - **akku on lähes tyhjä (sen suojaamiseksi syväpurkaukselta)** --> varaustilan ilmaisimessa näkyy matala varaustila tai vilkkuva matala varaustila ⑦b, kun painat painiketta E - lataa akku
 - ! **älä paina käynnistyskytkintä sen jälkeen, kun työkalu on kytkeytynyt pois päältä automaattisesti; akku voi vahingoittua**
- Hiomapaperin kiinnittäminen ⑧
 - ! **irrota akku työkalusta ennen säätöjen tekemistä tai tarvikkeiden vaihtamista**
 - ! **pölynimu vaatii rei'itetyn hiomapaperin käyttöä**
 - ! **hiomapaperin rei'ityksen tulee vastata hiomatason**

rei'itystä

! **vaihda hiomapaperi uuteen ajoissa**

! **aina käytä konetta koko hiomapinnan ollessa peitettyinä hiomapaperilla**

- kiinnitä VELCRO-hiomapaperi kuvatulla tavalla
- Pölynimu
 - ! **älä käytä pölypussi metallihionnassa**
 - Pölypussi ⑨
 - asenna pölypussi B
 - tyhjennä pölypussi säännöllisesti optimaalisen pölynimurin saavuttamiseksi
- Virtakytkin
 - käynnistä/sammuta koneesi painamalla kytkin C ② eteenpäin/taaksepäin
 - ! **koneen tulee olla käynnissä ennen kuin se koskettaa työkalua**
 - ! **ennen koneen sammuttamista se tulee nostaa irti työkalupaleesta**
- Koneen pitäminen ja ohjaaminen ⑩
 - ! **pidä työkalusta kiinni aina työskentelyn aikana harmaan värisestä kädensija(o)sta**
 - ohjaa koneen työstettävän pinnan suuntaisesti
 - älä kohdista liian paljon painetta työkaluun, anna sen tehdä työtä puolestasi
 - älä kallista konetta, kallistaminen voi aiheuttaa syviä ei-toivottuja hiontajälkiä
 - pidä ilmanvaihto-aukkoja D ② peittämättöminä

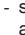
VINKKEJÄ

- Käytä työkalua suurten hiottavien pintojen, kulmien ja reunojen kanssa työskennellessä ⑪
- Älä koskaan hio puuta ja metallia samalla hiomapaperilla
- Hiomapaperit karkeus suositus:
 - käytä maalin poistamiseen ja erittäin karkean puun hiontaan karkeita papereita (40, 60)
 - käytä karkean tai höylätyn puun hiontaan keskikarkeita papereita (80, 100, 120)
 - käytä puun ja öljymaalilla käsitelyjen pintojen tasoittamiseen sekä paljaan puun viimeistelyyn hienoja papereita (180, 240, 320)
- Käytä eri hiomapaperikarkeuksia kun hiot karkeaa pintaa:
 - aloita karkealla tai keskikarkealla
 - viimestele työ hienolla
- Lisätietoja on tarjolla web-osoitteessa www.skil.com

HOITO / HUOLTO

- Pidä työkalu ja johto puhtaina (varmista erityisesti ilma-aukkojen puhtaus D ②)
 - poista kiinnitettynyt pöly siveltimellä
 - poista akku työkalusta ennen puhdistusta
- Jos sähkötyökäluksä, huolellisesta valmistuksesta ja koestusmenettelystä huolimatta esiintyy vikaa, tulee korjaus antaa SKIL sopimushuollon tehtäväksi
 - toimita työkalu sitä osiin **purkamatta** lähimpään SKIL-huoltoon (osoitteet ja työkalun huoltokaava ovat tarjolla web-osoitteessa www.skil.com) ostotodiste mukaan liitettynä
- Ota huomioon, että takuu ei kata työkalun ylikuormituksesta tai väärästä käsittelystä johtuvia vahinkoja (katso SKILin takuehdot osoitteesta www.skil.com tai kysy jälleenmyyjältä)

YMPÄRISTÖNSUOJELU

- **Älä hävitä sähkötyökäluä, paristoja, tarvikkeita tai pakkausta tavallisen kotitalousjätteen mukana** (koskee vain EU-maita)
 - vanhoja sähkö- ja elektroniikkalaitteita koskevan EU-direktiivin 2012/19/ETY ja sen maakohtaisten sovellusten mukaisesti käytetyt sähkötyökäluet on toimitettava ongelmajätteen keräyspisteeseen ja ohjattava ympäristöystävälliseen kierrätykseen
 - symboli  muistuttaa tästä, kun käytöstä poisto tulee ajankohtaiseksi
- ! **poistaessasi akun käytöstä peitä plus- ja miinusnapa sähköteipillä oikosulun estämiseksi**


MELU / TÄRINÄ

- Tämän työkalun standardin EN 62841 mukaisesti mitattu äänenpainotaso on 82 dB(A) ja äänenvoimakkuus 90 dB(A) (epävarmuus K = 3 dB), ja värinä 3,46 m/s²* (triaxvektorisumma, epävarmuus K = 1.5 m/s²)
- Värinäsuojitus on mitattu standardin EN 62841 mukaisen standarditestin mukaisesti; sitä voidaan käyttää verrattaessa yhtä laitetta toiseen sekä alustavana värinälle altistumisen arviona käytettäessä laitetta manituissa käyttötarkoituksissa
 - laitteen käyttö eri käyttötarkoituksiin tai erilaisten tai huonosti ylläpidettyjen lisälaitteiden kanssa voi lisätä merkittävästi altistumistasoa
 - laitteen ollessa sammuksissa tai kun se on käynnissä, mutta sillä ei tehdä työtä, altistumistaso voi olla huomattavasti pienempi
- ! **suojaudu värinän vaikutuksilta ylläpitämällä laite ja sen lisävarusteet, pitämällä kädet lämpiminä ja järjestämällä työmenetelmät**

E

Multilijadora inalámbrica sin escobillas 3715

INTRODUCCIÓN

- Esta herramienta está diseñada para lijar en seco madera, materiales plásticos, metal, emplastecido y superficies pintadas
- Esta herramienta no está concebida para lijar yeso
- Lea y conserve este manual de instrucciones 

DATOS TÉCNICOS

ELEMENTOS DE LA HERRAMIENTA

- A Disco de apoyo
- B Bolsa de polvo
- C Interruptor de activación/desactivación
- D Ranuras de ventilación
- E Indicador del nivel de carga de la batería

SEGURIDAD

ADVERTENCIAS DE PELIGRO GENERALES PARA HERRAMIENTAS ELÉCTRICAS

 **ADVERTENCIA** Lea todas las advertencias

de seguridad, instrucciones, ilustraciones y especificaciones entregadas con esta herramienta eléctrica. El incumplimiento de alguna de las instrucciones que figuran a continuación puede ser causa de descargas eléctricas, incendios o lesiones graves.

Guardar todas las advertencias de peligro e instrucciones para futuras consultas.

El término "herramienta eléctrica" empleado en las siguientes advertencias de peligro se refiere a herramientas eléctricas de conexión a la red (con cable de red) y a herramientas eléctricas accionadas por acumulador (o sea, sin cable de red).

1) SEGURIDAD DEL PUESTO DE TRABAJO

- a) **Mantenga limpia y bien iluminada su área de trabajo.** El desorden o una iluminación deficiente en las áreas de trabajo pueden provocar accidentes.
- b) **No utilice la herramienta eléctrica en un entorno con peligro de explosión, en el que se encuentren combustibles líquidos, gases o material en polvo.** Las herramientas eléctricas producen chispas que pueden llegar a inflamar los materiales en polvo o vapores.
- c) **Mantenga alejados a los niños y otras personas de su área de trabajo al emplear la herramienta eléctrica.** Una distracción le puede hacer perder el control sobre la herramienta.

2) SEGURIDAD ELÉCTRICA

- a) **El enchufe de la herramienta eléctrica debe corresponder a la toma de corriente utilizada. No es admisible modificar el enchufe en forma alguna. No emplear adaptadores en herramientas eléctricas dotadas con una toma de tierra.** Los enchufes sin modificar adecuados a las respectivas tomas de corriente reducen el riesgo de una descarga eléctrica.
- b) **Evite que su cuerpo toque partes conectadas a tierra como tuberías, radiadores, cocinas y refrigeradores.** El riesgo de quedar expuesto a una descarga eléctrica es mayor si su cuerpo tiene contacto con tomas de tierra.
- c) **No exponga las herramientas eléctricas a la lluvia o a condiciones de humedad.** Existe el peligro de recibir una descarga eléctrica si penetran líquidos en la herramienta eléctrica.
- d) **No utilice el cable de red para transportar o colgar la herramienta eléctrica, ni tire de él para sacar el enchufe de la toma de corriente. Mantenga el cable de red alejado del calor, aceite, esquinas cortantes o piezas móviles.** Los cables de red dañados o enredados pueden provocar una descarga eléctrica.
- e) **Al trabajar con la herramienta eléctrica en la intemperie utilice solamente cables de prolongación homologados para su uso en exteriores.** La utilización de un cable de prolongación adecuado para su uso en exteriores reduce el riesgo de una descarga eléctrica.
- f) **Si el funcionamiento de una herramienta eléctrica en un lugar húmedo fuese inevitable, utilice un cortacircuito de fuga a tierra.** El uso de un cortacircuito de fuga a tierra reduce el riesgo de descarga eléctrica.

3) SEGURIDAD DE PERSONAS

- a) **Esté atento y emplee la herramienta eléctrica con prudencia. No utilice la herramienta eléctrica si estuviese cansado, ni bajo los efectos de alcohol, drogas o medicamentos.** El no estar atento durante el uso de una herramienta eléctrica puede provocarle serias lesiones.
- b) **Utilice un equipo de protección personal y en todo caso unas gafas de protección.** El riesgo a lesionarse se reduce considerablemente si, dependiendo del tipo y la aplicación de la herramienta eléctrica empleada, se utiliza un equipo de protección adecuado como una mascarilla antipolvo, zapatos de seguridad con suela antideslizante, casco, o protectores auditivos.
- c) **Evite una puesta en marcha fortuita. Asegurarse de que la herramienta eléctrica esté desconectada antes de conectarla a la toma de corriente y/o al montar el acumulador, al recogerla, y al transportarla.** Si transporta la herramienta eléctrica sujetándola por el interruptor de conexión/desconexión, o si introduce el enchufe en la toma de corriente con la herramienta eléctrica conectada, ello puede dar lugar a un accidente.
- d) **Retire las herramientas de ajuste o llaves fijas antes de conectar la herramienta eléctrica.** Una herramienta o llave colocada en una pieza rotativa puede producir lesiones graves al accionar la herramienta eléctrica.
- e) **Sea precavido. Trabaje sobre una base firme y mantenga el equilibrio en todo momento.** Ello le permitirá controlar mejor la herramienta eléctrica en caso de presentarse una situación inesperada.
- f) **Lleve puesta una vestimenta de trabajo adecuada. No utilice vestimenta amplia ni joyas. Mantenga su pelo y vestimenta alejados de las piezas móviles.** La vestimenta suelta, las joyas y el pelo largo se pueden enganchar con las piezas en movimiento.
- g) **Siempre que sea posible utilizar equipos de aspiración o captación de polvo, asegúrese que éstos estén montados y que sean utilizados correctamente.** El empleo de estos equipos reduce los riesgos derivados del polvo.
- h) **No permita que la familiaridad ganada por el uso frecuente de la herramienta eléctrica lo deje creerse seguro e ignorar las normas de seguridad.** Una acción negligente puede causar lesiones graves en una fracción de segundo.

4) CUIDADO Y UTILIZACIÓN DE HERRAMIENTAS ELÉCTRICAS

- a) **No sobrecargue la herramienta eléctrica. Use la herramienta eléctrica prevista para el trabajo a realizar.** Con la herramienta eléctrica adecuada podrá trabajar mejor y con mayor seguridad dentro del margen de potencia indicado.
- b) **No utilice herramientas eléctricas con un interruptor defectuoso.** Las herramientas eléctricas que no se puedan conectar o desconectar son peligrosas y deben repararse.
- c) **Saque el enchufe de la red y/o retire el acumulador desmontable de la herramienta eléctrica, antes de realizar un ajuste, cambiar de accesorio o al guardar la herramienta eléctrica.** Esta medida preventiva reduce el riesgo de conectar accidentalmente la herramienta eléctrica.

- d) **Guarde las herramientas eléctricas fuera del alcance de los niños y de las personas que no estén familiarizadas con su uso.** Las herramientas eléctricas utilizadas por personas inexpertas son peligrosas.
- e) **Cuide la herramienta eléctrica y los accesorios con esmero. Controle si funcionan correctamente, sin atascarse, las partes móviles de la herramienta eléctrica, y si existen partes rotas o deterioradas que pudieran afectar al funcionamiento de la herramienta eléctrica.** Si la herramienta eléctrica estuviese defectuosa haga repararla antes de volver a utilizarla. Muchos de los accidentes se deben a herramientas eléctricas con un mantenimiento deficiente.
- f) **Mantenga los útiles limpios y afilados.** Los útiles mantenidos correctamente se dejan guiar y controlar mejor.
- g) **Utilice herramientas eléctricas, accesorios, útiles, etc. de acuerdo con estas instrucciones, teniendo en cuenta las condiciones de trabajo y la tarea a realizar.** El uso de herramientas eléctricas para trabajos diferentes de aquellos para los que han sido concebidas puede resultar peligroso.
- h) **Mantenga las empuñaduras y las superficies de las empuñaduras secas, limpias y libres de aceite y grasa.** Las empuñaduras y las superficies de las empuñaduras resbaladizas no permiten un manejo y control seguro de la herramienta eléctrica en situaciones imprevistas.

5) CUIDADO Y UTILIZACIÓN DE HERRAMIENTAS ACCIONADAS POR ACUMULADOR

- a) **Cargue los acumuladores únicamente con los cargadores recomendados por el fabricante.** Existe riesgo de incendio al intentar cargar acumuladores de un tipo diferente al previsto para el cargador.
- b) **Emplee únicamente los acumuladores previstos para la herramienta eléctrica.** El uso de otro tipo de acumuladores puede provocar daños e incluso un incendio.
- c) **Si no utiliza el acumulador, guárdelo separado de clips, monedas, llaves, clavos, tornillos o demás objetos metálicos que pudieran puentear sus contactos.** El cortocircuito de los contactos del acumulador puede causar quemaduras o un incendio.
- d) **La utilización inadecuada del acumulador puede provocar fugas de líquido. Evite el contacto con él. En caso de un contacto accidental enjuagar el área afectada con abundante agua. En caso de un contacto con los ojos recurra además inmediatamente a un médico.** El líquido del acumulador puede irritar la piel o producir quemaduras.
- e) **No emplee acumuladores o útiles dañados o modificados.** Los acumuladores dañados o modificados pueden comportarse en forma imprevisible y producir un fuego, explosión o peligro de lesión.
- f) **No exponga un acumulador o una herramienta eléctrica al fuego o a una temperatura demasiado alta.** La exposición al fuego o a temperatura sobre 130°C puede causar una explosión.
- g) **Siga todas las instrucciones para la carga y no cargue nunca el acumulador o la herramienta eléctrica a una temperatura fuera del margen correspondiente especificado en las instrucciones.** Una carga inadecuada o a temperaturas fuera del

margen especificado puede dañar el acumulador y aumentar el riesgo de incendio.

6) SERVICIO

- a) **Únicamente haga reparar su herramienta eléctrica por un profesional, empleando exclusivamente piezas de repuesto originales.** Solamente así se mantiene la seguridad de la herramienta eléctrica.
- b) **No repare los acumuladores dañados.** El entretenimiento de los acumuladores sólo debe ser realizado por el fabricante o un servicio técnico autorizado.

INSTRUCCIONES DE SEGURIDAD PARA LIJADORAS

GENERAL

- Esta herramienta no debe utilizarse por personas menores de 16 años
- Esta herramienta no es adecuada para lijar con agua
- **No trabaje materiales que contengan amianto** (el amianto es cancerígeno)
- Extraiga la batería de la herramienta antes de realizar cualquier ajuste o cambiar los accesorios

ACCESORIOS

- SKIL únicamente puede garantizar un funcionamiento correcto de la herramienta al emplear accesorios originales
- No utilizar hojas de lijado desgastadas, desgarradas o excesivamente embazadas

ANTES DEL USO

- Evite los daños que puedan causar los tornillos, clavos y otros objetos sobre la pieza de trabajo; retírelos antes de empezar a trabajar
- El nivel de ruido, con la herramienta trabajando, podrá sobrepasar 85 dB(A); usar protectores auditivos
- El polvo del material, como la pintura que contiene plomo, algunas especies de madera, minerales y metal podrían ser dañinos (el contacto o inhalación del polvo podría producir reacciones alérgicas y trastornos respiratorios al operador o a otras personas que se encuentren en la zona); **utilice una máscara contra el polvo y trabaje con un dispositivo de extracción de polvo cuando lo conecte**
- Ciertos tipos de polvo están catalogados como cancerígenos (por ejemplo el polvo de roble y de haya) especialmente junto con aditivos para el acondicionamiento de la madera; **utilice una máscara contra el polvo y trabaje con un dispositivo de extracción de polvo cuando lo conecte**
- Siga la normativa nacional en cuanto a extracción de polvo, en función de los materiales que vayan a ser utilizados
- Llevar guantes protectores, gafas de protección, vestimenta ceñida al cuerpo y protección adecuada para pelo largo
- **Asegure la pieza de trabajo** (una pieza de trabajo fijada con unos dispositivos de sujeción o en un tornillo de banco, se mantiene sujeta de forma mucho más segura que con la mano)
- Al lijar metal se generen chispas; no utilizar la caja de polvo y mantenga a otras personas y materiales combustibles alejados de la zona de trabajo

DURANTE EL USO

- Evitar el contacto con la hoja de lijado en marcha
- En caso de producirse una avería eléctrica o mecánica, apague inmediatamente la herramienta y extraiga la

batería

DESPUÉS DEL USO

- Ponga atención al guardar su herramienta de que el motor esté apagado y las partes móviles se hayan detenido por completo

BATERÍAS

- **Si se entrega una batería, está parcialmente cargada** (para garantizar la capacidad total de la batería cárguela completamente en el cargador antes de utilizar por primera vez la herramienta eléctrica)
- **Utilice únicamente los siguientes cargadores y baterías con esta herramienta**
 - Batería SKIL: BR1*31****
 - Cargador SKIL: CR1*31****
- No utilice la batería si está deteriorada, es necesario cambiarla
- No desarme la batería
- No exponga la herramienta/batería a la lluvia
- Temperatura ambiente permitida (herramienta/cargador/batería):
 - durante la carga 4...40°C
 - durante el servicio -20...+50°C
 - durante el almacenamiento -20...+50°C

EXPLICACIÓN DE SÍMBOLOS DE HERRAMIENTA/BATERÍA

- ③ Lea el manual de instrucciones antes de utilizarla
- ④ Las baterías estallarán si se tiran al fuego, por ningún motivo caliente las baterías
- ⑤ Guarde la herramienta/cargador/batería en un lugar donde la temperatura no exceda los 50°C
- ⑥ No deseche las herramientas eléctricas y las pilas junto con los residuos domésticos

USO

- Recargue de la batería
 - ! **lea las instrucciones y la advertencias de seguridad entregadas con el cargador**
- Extracción/instalación de la batería ②
- Indicador del nivel de batería ⑦
 - pulse el botón indicador de nivel de la batería E para mostrar el nivel actual de carga ⑦a
 - ! **cuando empieza a parpadear el nivel inferior del indicador de la batería al pulsar el botón E ⑦b, la batería está descargada**
 - ! **cuando los niveles 2 del indicador de la batería empiezan a parpadear al pulsar el botón E ⑦c, la batería no se encuentra dentro del rango admisible de temperaturas de funcionamiento**
- Protección de la batería
 - La herramienta se apaga inmediatamente, o se impide su encendido, cuando
 - **la carga es demasiado elevada** --> retire la carga y vuelva a poner en marcha
 - **la temperatura de la batería no se encuentra dentro del rango admisible de temperaturas de funcionamiento entre -20 °C y +50 °C** --> los niveles 2 del indicador de nivel de la batería comienzan a parpadear al pulsar el botón E ⑦c; espere a que la batería vuelva a estar dentro del rango admisible de temperaturas de funcionamiento
 - **la batería está casi descargada (como protección frente a una descarga intensa)** --> el indicador de nivel de la batería señala un nivel bajo de carga o un

nivel bajo de carga intermitente ⑦b al pulsar el botón E; cargue la batería

! no continúe pulsando el interruptor de encendido después de que se apague automáticamente la herramienta; se puede dañar la batería

- Montaje de la hoja de lija ⑧
 - ! **extraiga la batería de la herramienta antes de realizar cualquier ajuste o cambiar los accesorios**
 - ! **la succión de polvo requiere que se usen hojas de lija perforadas**
 - ! **las perforaciones de las hojas de lija deben corresponderse con las perforaciones de la lijadora**
 - ! **cambie a tiempo las hojas de lija pasadas**
 - ! **utilizar la herramienta siempre con toda la superficie de lijado cubierta con hoja de lija**
 - monte la hoja de lijado VELCRO de la forma ilustrada
- Aspiración de polvo
 - ! **no utilice la bolsa de polvo al lijar metal**
 - Bolsa de polvo ⑨
 - monte la bolsa de polvo B
 - vacíe con regularidad la bolsa de polvo para una aspiración óptima del polvo
- Interruptor de activación/desactivación
 - ponga en marcha/pare su herramienta apretando el interruptor C ② hacia adelante/atrás
 - ! **antes de trabajar sobre una pieza, se debe poner en marcha su herramienta**
 - ! **antes de desactivar la herramienta, debe retirarla de la pieza de trabajo**
- Sujeción y manejo de la herramienta ⑩
 - ! **durante el trabajo, sujete siempre la herramienta por la(s) zona(s) de empuñadura de color gris**
 - guíe la herramienta paralela a la superficie de trabajo
 - no ejerza demasiada presión en la herramienta; deje que la superficie para lijar haga su trabajo
 - no incline su herramienta para evitar marcas de lijado no deseadas
 - mantenga las ranuras de ventilación D ② descubiertas

CONSEJOS DE APLICACIÓN

- Utilice la herramienta para lijar grandes superficies, esquinas y bordes ⑪
- No tratar jamás madera y metal con la misma hoja de lija
- Grano recomendado de las hojas de lija:
 - para quitar pintura y para lijar madera muy basta, use lijas de grano grueso (40, 60)
 - para lijar madera en crudo o lisa, use lijas de grano medio (80, 100, 120)
 - para pulir madera y superficies con pintura vieja, o también para el acabado de madera sin pintar, use lijas de grano fino (180, 240, 320)
- Utilice diferentes granos de lija si la superficie de trabajo es basta:
 - empiece con el grano basto o medio
 - acabe con grano fino
- Si desea más información, visite www.skil.com

MANTENIMIENTO / SERVICIO

- Mantenga limpio el cable eléctrico y la herramienta (sobre todo las ranuras de ventilación D ②)
 - eliminar el polvo adherido con un pincel

- extraiga la batería de la herramienta antes de la limpieza

- Si a pesar de los esmerados procesos de fabricación y control, la herramienta llegase a averiarse, la reparación deberá encargarse a un servicio técnico autorizado para herramientas eléctricas SKIL
 - envíe la herramienta **sin desmontar** junto con una prueba de su compra a su distribuidor o a la estación de servicio más cercana de SKIL (los nombres así como el despiece de piezas de la herramienta figuran en www.skil.com)
- Tenga presente que los daños debido a sobrecargas o al manejo inadecuado de la herramienta serán excluidos de la garantía (consulte las condiciones de garantía de SKIL en www.skil.com o consulte a su distribuidor)

AMBIENTE

- **No deseche las herramientas eléctricas, las pilas, los accesorios y embalajes junto con los residuos domésticos** (sólo para países de la Unión Europea)
 - de conformidad con la Directiva Europea 2012/19/CE sobre residuos de aparatos eléctricos y electrónicos y su aplicación de acuerdo con la legislación nacional, las herramientas eléctricas cuya vida útil haya llegado a su fin se deberán recoger por separado y trasladar a una planta de reciclaje que cumpla con las exigencias ecológicas
 - símbolo ⑥ llamará su atención en caso de necesidad de tirarlas
- ! **es prioritario disponer de terminales protectores de baterías para evitar un corto circuito**

RUIDOS / VIBRACIONES

- Realizando mediciones según EN 62841, el nivel de presión acústica de esta herramienta es 82 dB(A) y el nivel de potencia acústica es de 90 dB(A) (incertidumbre K = 3 dB), y la vibración 3,46 m/s² suma vectorial triaxial; incertidumbre K = 1,5 m/s²)
- El nivel de emisión de vibraciones ha sido medido según una prueba estándar proporcionada en EN 62841; puede utilizarse para comparar una herramienta con otra y como valoración preliminar de la exposición a las vibraciones al utilizar la herramienta con las aplicaciones mencionadas
 - al utilizarla para distintas aplicaciones o con accesorios diferentes o con un mantenimiento deficiente, podría **aumentar** de forma notable el nivel de exposición
 - en las ocasiones en que se apaga la herramienta o cuando está funcionando pero no está realizando ningún trabajo, se podría **reducir** el nivel de exposición de forma importante
- ! **protéjase contra los efectos de la vibración realizando el mantenimiento de la herramienta y sus accesorios, manteniendo sus manos calientes y organizando sus patrones de trabajo**



Lixadora multifunções sem fios 3715 e sem escovas

INTRODUÇÃO

- Esta ferramenta é determinada para lixar a seco madeira, plástico, metal, mastique e superfícies pintadas
- Esta ferramenta não se destina a lixar gesso
- Leia e guarde este manual de instruções ③

DADOS TÉCNICOS ①

ELEMENTOS DA FERRAMENTA ②

- A Prato de borracha
- B Saco do pó
- C Interruptor para ligar/desligar
- D Aberturas de ventilação
- E Indicador do nível de carregamento da bateria

SEGURANÇA

INDICAÇÕES GERAIS DE SEGURANÇA PARA FERRAMENTAS ELÉTRICAS

⚠ AVISO Leia todos os avisos de segurança, instruções, ilustrações e especificações fornecidas com esta ferramenta eléctrica. O incumprimento de todas as instruções enumeradas abaixo poderá resultar em choque eléctrico, incêndio e/ou lesão grave.

Guarde bem todas as advertências e instruções para futura referência.

O termo “ferramenta eléctrica” utilizado a seguir nas indicações de advertência, refere-se a ferramentas eléctricas operadas com corrente de rede (com cabo de rede) e a ferramentas eléctricas operadas com acumulador (sem cabo de rede).

1) SEGURANÇA DA ÁREA DE TRABALHO

- a) **Mantenha a sua área de trabalho limpa e arrumada.** Desordem ou áreas de trabalho com fraca iluminação podem causar acidentes.
- b) **Não trabalhar com a ferramenta eléctrica em áreas com risco de explosão, nas quais se encontrem líquidos, gases ou pós inflamáveis.** Ferramentas eléctricas produzem faíscas que podem provocar a ignição de pó e vapores.
- c) **Mantenha crianças e outras pessoas afastadas da ferramenta eléctrica durante o trabalho com a ferramenta.** Distrações podem causar a falta de controlo sobre o aparelho.

2) SEGURANÇA ELÉTRICA

- a) **As fichas das ferramentas eléctricas devem caber na tomada. A ficha não deve ser modificada de modo algum. Não utilize quaisquer fichas de adaptação junto com ferramentas eléctricas ligadas à terra.** Fichas sem modificações e tomadas adequadas reduzem o risco de choques eléctricos.
- b) **Evite que o corpo entre em contacto com superfícies ligadas à terra, como por exemplo**

tubos, radiadores, fogões e geladeiras. Há um risco elevado de choques eléctricos, caso o corpo for ligado à terra.

- c) **A ferramenta eléctrica não deve ser exposta à chuva nem humidade.** A penetração de água na ferramenta eléctrica aumenta o risco de choques eléctricos.
 - d) **O cabo do aparelho não deve ser utilizado para o transporte, para pendurar o aparelho, nem para puxar a ficha da tomada. Mantenha o cabo afastado de calor, óleo, cantos afiados ou partes em movimento do aparelho.** Cabos danificados ou torcidos aumentam o risco de choques eléctricos.
 - e) **Ao trabalhar com a ferramenta eléctrica ao ar livre, use um cabo de extensão apropriado para áreas externas.** O uso de um cabo apropriado para áreas externas reduz o risco de choques eléctricos.
 - f) **Se não for possível evitar o funcionamento da ferramenta eléctrica em áreas húmidas, deverá ser utilizado uma disjuntor de corrente de avaria.** A utilização de um disjuntor de corrente de avaria reduz o risco de um choque eléctrico.
- #### 3) SEGURANÇA DE PESSOAS
- a) **Esteja alerta, observe o que está a fazer, e tenha prudência ao trabalhar com a a ferramenta eléctrica. Não use a ferramenta eléctrica se estiver fatigado ou sob a influência de drogas, álcool ou medicamentos.** Um momento de falta de atenção durante a operação da ferramenta eléctrica pode causar graves lesões.
 - b) **Utilizar equipamento de protecção pessoal e sempre óculos de protecção.** A utilização de equipamento de protecção pessoal, como máscara de protecção contra pó, sapatos de segurança antiderrapantes, capacete de segurança ou protecção auricular, de acordo com o tipo e aplicação da ferramenta eléctrica, reduz o risco de lesões.
 - c) **Evitar uma colocação em funcionamento involuntária. Assegure-se de que a ferramenta eléctrica esteja desligada, antes de conectá-la à alimentação de rede e/ou ao acumulador, antes de levantá-la ou de transportá-la.** Se tiver o dedo no interruptor ao transportar a ferramenta eléctrica ou se o aparelho for conectado à alimentação de rede enquanto estiver ligado, poderão ocorrer acidentes.
 - d) **Remover chaves de ajustes ou chaves de fenda, antes de ligar a ferramenta eléctrica.** Uma chave de fenda ou chave de ajuste que se encontre numa parte móvel do aparelho, pode levar a lesões.
 - e) **Não se sobrestime. Mantenha uma posição firme e mantenha sempre o equilíbrio.** Desta forma poderá ser mais fácil controlar o aparelho em situações inesperadas.
 - f) **Use roupa apropriada. Não use roupa larga ou jóias. Mantenha os cabelos e roupas afastados de partes em movimento.** Roupas largas, jóias ou cabelos longos podem ser agarradas por partes em movimento.
 - g) **Se for prevista a montagem de dispositivos de aspiração de pó e de dispositivos de recolha, assegure-se de que estão conectados e que sejam utilizados de forma correcta.** A utilização de uma aspiração de pó pode reduzir o perigo devido ao pó.
 - h) **Não deixe que a familiaridade resultante de uma utilização frequente de ferramentas permita que**

você se torne complacente e ignore os princípios de segurança da ferramenta. Uma acção descuidada pode causar ferimentos graves numa fração de segundo.

4) USO E TRATAMENTO DE FERRAMENTAS ELÉTRICAS

- a) **Não sobrecarregue a ferramenta eléctrica. Use para o seu trabalho a ferramenta eléctrica correcta.** A ferramenta correcta realizará o trabalho de forma melhor e mais segura dentro da faixa de potência indicada.
 - b) **Não utilize a ferramenta eléctrica se o interruptor não puder ser ligado nem desligado.** Qualquer ferramenta eléctrica que não possa ser controlada através do interruptor de ligar-desligar, é perigosa e deve ser reparada.
 - c) **Puxar a ficha da tomada e/ou remover o acumulador, se amovível, antes de executar ajustes na ferramenta, de substituir acessórios ou de guardar a ferramenta.** Esta medida de segurança evita que a ferramenta eléctrica seja ligada acidentalmente.
 - d) **Guarde ferramentas eléctricas que não estiverem sendo utilizadas, for a do alcance de crianças. Não permita que o aparelho seja utilizado por pessoas não familiarizadas com o mesmo ou que não tenham lido estas instruções.** Ferramentas eléctricas são perigosas nas mãos de pessoas sem treinamento.
 - e) **Trate a ferramenta eléctrica e os acessórios com cuidado. Verifique se as partes móveis do aparelho funcionam perfeitamente e não emperram, se há peças quebradas ou danificadas, que possam influenciar o funcionamento do aparelho. Peças danificadas devem ser reparadas antes da utilização do aparelho.** Muitos acidentes tem como causa uma manutenção insuficiente das ferramentas eléctricas.
 - f) **Mantenha as ferramentas de corte sempre afiadas e limpas.** Ferramentas de cortes devidamente tratadas, com cantos afiados travam com menos frequência e podem ser controladas com maior facilidade.
 - g) **Use a ferramenta eléctrica, os acessórios os bits da ferramenta etc., de acordo com estas instruções. Considere também as condições de trabalho e o trabalho a ser efectuado.** A utilização da ferramenta eléctrica para outros fins que os previstos, pode resultar em situações perigosas.
 - h) **Mantenha os punhos e as superfícies de agarrar secas, limpas e livres de óleo e massa consistente.** Punhos e superfícies de agarrar escorregadias não permitem o manuseio e controlo seguros da ferramenta em situações inesperadas.
- #### 5) USO E TRATAMENTO DE APARELHOS COM ACUMULADOR
- a) **Apenas deverá carregar em carregadores, acumuladores recomendados pelo fabricante.** Um carregador que é apropriado para um tipo de acumulador, pode causar um incêndio se se for utilizado para carregar outros acumuladores.
 - b) **Apenas utilize nas ferramentas eléctricas os acumuladores previstos.** A utilização de outros acumuladores pode levar a lesões e riscos de incêndio.
 - c) **Quando o acumulador não estiver em uso, mantenha-o afastado de outros objectos de metal, como por exemplo agrafos, moedas, chaves, pregos, parafusos, ou outros pequenos objectos**

metálicos que possam ligar em ponte os contactos. Um curto circuito entre os contactos do acumulador pode causar queimaduras ou incêndio.

- d) **Aplicações inadequadas podem provocar fugas do líquido do acumulador. Evite o contacto com este líquido. No caso de um contacto accidental, lave imediatamente com água fresca. Se o líquido entrar em contacto com os olhos, procure um auxílio médico.** O líquido que escapa do acumulador pode levar a irritações ou queimaduras da pele.
 - e) **Não use um acumulador ou uma ferramenta danificada ou modificada.** Os acumuladores danificados ou modificados exibem um comportamento imprevisível podendo causar incêndio, explosão ou risco de lesão.
 - f) **Não exponha o acumulador ou a ferramenta ao fogo ou temperatura excessiva.** Exposição ao fogo ou a uma temperatura acima de 130°C pode causar explosão.
 - g) **Siga todas as instruções de carregamento e não carregue o acumulador ou a ferramenta fora da faixa de temperatura especificada no manual de instruções.** Carregar indevidamente ou em temperaturas fora da faixa especificada pode danificar o acumulador e aumentar o risco de incêndio.
- #### 6) SERVIÇO
- a) **A sua ferramenta eléctrica só deve ser reparada por pessoal qualificado e só devem ser colocadas peças sobressalentes originais.** Desta forma é assegurada a segurança da ferramenta eléctrica.
 - b) **Nunca tente reparar acumuladores danificados.** A reparação de acumuladores deve ser realizada apenas pelo fabricante ou agentes de assistência autorizados.

INSTRUÇÕES DE SEGURANÇA PARA LIXADEIRAS

GENERAL

- Esta ferramenta não deve ser utilizada por pessoas menores de 16 anos
- Esta ferramenta não é aconselhada para trabalhos em superfícies molhadas
- **Não processar material que contenha asbesto** (asbesto é considerado como sendo cancerígeno)
- Retire a bateria da ferramenta antes de efectuar qualquer regulação ou mudar de acessório

ACESSÓRIOS

- A SKIL só pode garantir um funcionamento perfeito da ferramenta, quando utilizada com os acessórios originais
- Folhas de lixadeira gastas, rasgadas ou muito sujos não devem continuar a ser utilizadas

ANTES DA UTILIZAÇÃO

- Evite danificar a ferramenta em superfícies com pregos ou parafusos; remova-os antes de começar a trabalhar
- O nível de ruído durante o trabalho pode exceder 85 dB(A); utilize protectores auriculares
- O pó do material, como tinta com chumbo, algumas espécies de madeira, minerais e metais, pode ser prejudicial (contacto ou inalação do pó pode provocar reacções alérgicas e/ou doenças respiratórias ao operador ou às pessoas presentes); **use máscara respiratória e trabalhe com um dispositivo de extracção de pó quando ligado a**
- Determinados tipos de pó são classificados como substâncias cancerígenas (como pó de carvalho e faia), em especial, juntamente com aditivos para

condicionamento da madeira; **use máscara respiratória e trabalhe com um dispositivo de extracção de pó quando ligado a**

- Siga o regulamento nacional quanto a extracção de pó, em função dos materiais que vão ser utilizados
- Usar luvas protectoras, óculos de protecção, roupas justas e uma protecção para cabelos (no caso de cabelos compridos)
- **Fixe a peça de trabalho** (uma peça de trabalho fixa com dispositivos de fixação ou num torno fica melhor fixa do que manualmente)
- Ao lixar metais, devido às faíscas produzidas, não use a caixa de pó e mantenha afastadas outras pessoas e materiais combustíveis à área de trabalho

DURANTE A UTILIZAÇÃO

- Não entrar em contacto com a folha de lixadeira em funcionamento
- Em caso de anomalias eléctricas ou mecânicas, desligue imediatamente a ferramenta e retire a bateria

APÓS A UTILIZAÇÃO

- Quando guardar a ferramenta, deverá certificar-se que o motor esta devidamente parado assim como todas as peças rotativas

BATERIAS

- **A bateria fornecida vem parcialmente carregada.** (para assegurar a capacidade total da bateria, carregue completamente a bateria no carregador antes de usar a sua ferramenta eléctrica pela primeira vez)
- **Utilize apenas as seguintes baterias e carregadores com esta ferramenta**
 - Bateria SKIL: BR1*31****
 - Carregador SKIL: CR1*31****
- Não utilize baterias danificadas; devem ser substituídas imediatamente
- Não desmonte a bateria
- Não exponha a ferramenta/bateria à chuva
- Temperatura ambiente permitida (ferramenta/carregador/bateria):
 - durante o carregamento 4...40°C
 - durante o funcionamento -20...+50°C
 - durante o armazenamento -20...+50°C

EXPLICAÇÃO DOS SÍMBOLOS DA FERRAMENTA/BATERIA

- ③ Leia o manual de instruções antes de utilizar o equipamento
- ④ As baterias explodirão quando colocadas num fogo, por isso, não queime as baterias por nenhum motivo
- ⑤ Guarde a ferramenta/carregador/bateria em locais onde a temperatura não exceda os 50°C
- ⑥ Não deite ferramentas eléctricas e pilhas no lixo doméstico

MANUSEAMENTO

- Recarga da bateria
 - ! **leia os avisos de segurança e as instruções fornecidos com o carregador**
- Remover/instalar a bateria ②
- Indicador de nível da bateria ⑦
 - prima o botão do indicador de nível da bateria E para apresentar o nível atual da bateria ⑦a
 - ! **quando o nível mais baixo do indicador da bateria ficar intermitente depois de premir o botão E ⑦b, a bateria está vazia**
 - ! **quando os níveis 2 do indicador da bateria**

ficarem intermitentes depois de premir o botão E ⑦c, a bateria não está dentro do intervalo da temperatura de funcionamento permitido

- Protecção da bateria
 - A ferramenta desliga-se repentinamente ou não se liga quando
 - **a carga é muito elevada** --> retire carga e recomece
 - **a temperatura da bateria não está dentro do intervalo da temperatura de funcionamento de -20 a +50°C** --> Os níveis 2 do indicador do nível da bateria ficam intermitentes quando premir o botão E ⑦c; aguarde até a bateria voltar ao intervalo de temperatura de funcionamento permitido
 - **a bateria está quase vazia (para proteção contra uma descarga profunda)** --> um nível baixo da bateria ou um nível da bateria baixo intermitente ⑦b aparece através do indicador de nível da bateria quando prime o botão E; carregue a bateria
 - ! **não continue a premir o interruptor de ligar/desligar após a desactivação automática da ferramenta; pode danificar a bateria**
- Montagem das folhas de lixa ③
 - ! **retire a bateria da ferramenta antes de efectuar qualquer regulação ou mudar de acessório**
 - ! **a aspiração de pó requer folhas de lixa perfuradas**
 - ! **a perfuração da folha de lixa deverá corresponder à perfuração da ferramenta**
 - ! **troque as folhas de lixas gastas atempadamente**
 - ! **utilizar sempre a ferramenta com toda a superfície de lixagem coberta por folha de lixa**
 - monte a folha de lixa VELCRO como ilustrado
- Aspiração de pó
 - ! **não utilizar o saco de pó ao lixar metais**
 - Saco do pó ④
 - monte o saco do pó B
 - esvazie regularmente o saco do pó para uma melhor recolha do pó
- Interruptor para ligar/desligar
 - ligue/desligue a ferramenta puxando o interruptor C ② para a frente/trás
 - ! **a ferramenta deve estar ligada antes que a base alcance a peça a trabalhar**
 - ! **antes de desligar a ferramenta, deve levantá-la da peça de trabalho**
- Segurar e guiar a ferramenta ⑩
 - ! **durante o trabalho, segure sempre a ferramenta na(s) área(s) de fixação cinzenta(s)**
 - guie a ferramenta paralelamente à peça a trabalhar
 - não aplique demasiada pressão na ferramenta; deixe que a ferramenta trabalhe por si
 - não incline a ferramenta de modo a evitar marcas indesejáveis
 - mantenha as aberturas de ventilação D ② destapadas

CONSELHOS DE APLICAÇÃO

- Utilize a ferramenta para superfícies de trabalho grandes, cantos e arestas ①
- Nunca trabalhar madeira e metal com a mesma folha de lixa
- Grãos de folhas de lixa recomendados:
 - para remover tinta e lixar madeira extremamente irregular, utilize grãos de lixa grossos (40, 60)
 - para lixar madeira plana ou irregular, utilize grãos de

lixa médios (80, 100, 120)

- para alisar madeira e superfícies com tinta velhas, assim como fazer o acabamento de madeira em bruto, utilize grãos de lixa finos (180, 240, 320)
- Use diferentes grãos de lixa quando trabalhar madeira dura:
 - comece com grão grosso ou médio
 - acabe com grão fino
- Para mais informação, consulte www.skil.com

MANUTENÇÃO / SERVIÇO

- Mantenha a ferramenta e o fio sempre limpos (especialmente as ranhuras de respiração D ②)
 - remover o pó de lixa aderido com um pincel
 - retire a bateria da ferramenta antes de limpar
- Se a ferramenta falhar apesar de cuidadosos processos de fabricação e de teste, a reparação deverá ser executada por uma oficina de serviço autorizada para ferramentas eléctricas SKIL
 - envie a ferramenta **sem desmontar**, juntamente com a prova de compra, para o seu revendedor ou para o centro de assistência SKIL mais próximo (os endereços assim como a mapa de peças da ferramenta estão mencionados no www.skil.com)
- Não se esqueça de que os danos provocados por sobrecarga ou manuseamento incorrecto da ferramenta estão excluídos da garantia (para mais informações sobre as condições da garantia da SKIL, consulte www.skil.com ou pergunte ao seu revendedor)

AMBIENTE

- **Não deite ferramentas eléctricas, pilhas, acessórios e embalagem no lixo doméstico** (apenas para países da UE)
 - de acordo com a directiva europeia 2012/19/CE sobre ferramentas eléctricas e electrónicas usadas e a transposição para as leis nacionais, as ferramentas eléctricas usadas devem ser recolhidas em separado e encaminhadas a uma instalação de reciclagem dos materiais ecológica
 - símbolo ⑥ lhe avisará em caso de necessidade de arranja-las
- ! proteja os terminais da bateria com fita isoladora antes de a expor de modo a evitar curto-circuitos**

RUÍDO / VIBRAÇÃO

- O nível de pressão sonora desta ferramenta, medido de acordo com a EN 62841, é de 82 dB(A) e o nível de potência acústica é de 90 dB(A) (incerteza K = 3 dB), e a vibração 3,46 m/s² (soma do vector triax; incerteza K = 1,5 m/s²)
- O nível de emissão de vibrações foi medido de acordo com um teste normalizado fornecido na EN 62841; pode ser utilizado para comparar uma ferramenta com outra e como uma avaliação preliminar de exposição à vibração quando utilizar a ferramenta para as aplicações mencionadas
 - utilizar a ferramenta para diferentes aplicações ou com acessórios diferentes ou mantidos deficientemente, pode **augmentar** significativamente o nível de exposição
 - o número de vezes que a ferramenta é desligada

ou quando estiver a trabalhar sem fazer nada, pode **reduzir** significativamente o nível de exposição

! proteja-se contra os efeitos da vibração, mantendo a ferramenta e os acessórios, mantendo as mãos quentes e organizando os padrões de trabalho

1

Levigatrice multifunzione senza filo brushless [motore senza spazzole] 3715

INTRODUZIONE

- Questo utensile serve per la smerigliatura a secco del legno, della plastica, di metallo, del riempimento e delle superfici verniciate
- Questo utensile non è inteso per la sabbatura di gesso
- Leggete e conservate questo manuale di istruzione ③

DATI TECNICI ①

ELEMENTI UTENSILE ②

- A Platorello
- B Sacchetto della polvere
- C Interruttore di acceso/spento
- D Feritoie di ventilazione
- E Indicatore del livello batteria

SICUREZZA

AVVERTENZE GENERALI DI PERICOLO PER ELETTROUTENSILI

AVVERTENZA Leggere tutte le avvertenze di sicurezza, istruzioni, illustrazioni e specifiche fornite con l'utensile. La mancata osservanza di tutte le istruzioni sottoelencate potrebbe causare delle scariche elettriche, principi d'incendio e/o gravi lesioni.

Conservare tutte le avvertenze di pericolo e le istruzioni operative per ogni esigenza futura.

Il termine "elettroutensile" utilizzato nelle avvertenze di pericolo si riferisce ad elettroutensili alimentati dalla rete (con linea di allacciamento) ed ad elettroutensili alimentati a batteria (senza linea di allacciamento).

1) SICUREZZA DELLA POSTAZIONE DI LAVORO

- Mantenere pulito ed ordinato il posto di lavoro.** Il disordine o le zone di lavoro non illuminate possono essere fonte di incidenti.
- Evitare d'impiegare l'elettroutensile in ambienti soggetti al rischio di esplosioni nei quali si trovino liquidi, gas o polveri infiammabili.** Gli elettroutensili producono scintille che possono far infiammare la polvere o i gas.
- Mantenere lontani i bambini ed altre persone durante l'impiego dell'elettroutensile.** Eventuali distrazioni potranno comportare la perdita del controllo sull'elettroutensile.

2) SICUREZZA ELETTRICA

- a) **La spina per la presa di corrente dovrà essere adatta alla presa. Evitare assolutamente di apportare modifiche alla spina. Non impiegare spine adattatrici assieme ad elettroutensili con collegamento a terra.** Le spine non modificate e le prese adatte allo scopo riducono il rischio di scosse elettriche.
- b) **Evitare il contatto fisico con superfici collegate a terra, come tubi, riscaldamenti, cucine elettriche e frigoriferi.** Sussiste un maggior rischio di scosse elettriche nel momento in cui il corpo è messo a massa.
- c) **Custodire l'elettroutensile al riparo dalla pioggia o dall'umidità.** L'eventuale infiltrazione di acqua in un elettroutensile va ad aumentare il rischio d'insorgenza di scosse elettriche.
- d) **Non usare il cavo per scopi diversi da quelli previsti al fine di trasportare o appendere l'elettroutensile, oppure di togliere la spina dalla presa di corrente.** Mantenere l'elettroutensile al riparo da fonti di calore, dall'olio, dagli spigoli o da pezzi in movimento. I cavi danneggiati o aggrovigliati aumentano il rischio d'insorgenza di scosse elettriche.
- e) **Qualora si voglia usare l'elettroutensile all'aperto, impiegare solo ed esclusivamente cavi di prolunga omologati per l'impiego all'esterno.** L'uso di un cavo di prolunga omologato per l'impiego all'esterno riduce il rischio d'insorgenza di scosse elettriche.
- f) **Qualora non fosse possibile evitare di utilizzare l'elettroutensile in ambiente umido, utilizzare un interruttore di messa a terra.** L'uso di un interruttore di messa a terra riduce il rischio di una scossa elettrica.

3) SICUREZZA DELLE PERSONE

- a) **È importante concentrarsi su ciò che si sta facendo e a maneggiare con giudizio l'elettroutensile durante le operazioni di lavoro. Non utilizzare l'elettroutensile in caso di stanchezza o sotto l'effetto di droghe, bevande alcoliche e medicinali.** Un attimo di distrazione durante l'uso dell'elettroutensile potrà causare lesioni gravi.
- b) **Indossare sempre equipaggiamento protettivo individuale. Usare sempre protezioni per gli occhi.** Se si avrà cura d'indossare equipaggiamento protettivo individuale come la maschera antipolvere, la calzatura antisdrucciolevole di sicurezza, il casco protettivo o la protezione dell'udito, a seconda dell'impiego previsto per l'elettroutensile, si potrà ridurre il rischio di ferite.
- c) **Evitare l'accensione involontaria dell'elettroutensile. Prima di collegarlo alla rete di alimentazione elettrica e/o alla batteria ricaricabile, prima di prenderlo oppure prima di iniziare a trasportarlo, assicurarsi che l'elettroutensile sia spento.** Tenendo il dito sopra l'interruttore mentre si trasporta l'elettroutensile oppure collegandolo all'alimentazione di corrente con l'interruttore inserito, si vengono a creare situazioni pericolose in cui possono verificarsi seri incidenti.
- d) **Togliere gli attrezzi di regolazione o la chiave inglese prima di accendere l'elettroutensile.** Un elettroutensile o una chiave inglese che si trovino in una parte dell'elettroutensile in rotazione potranno causare lesioni.
- e) **È importante non sopravvalutarsi. Avere cura**

di mettersi in posizione sicura e di mantenere l'equilibrio. In tale maniera sarà possibile controllare meglio l'elettroutensile in situazioni inaspettate.

- f) **Indossare vestiti adeguati. Evitare di indossare vestiti lenti o gioielli. Tenere capelli e vestiti lontani da parti in movimento.** Vestiti lenti, gioielli o capelli lunghi potranno impigliarsi in pezzi in movimento.
 - g) **Se sussiste la possibilità di montare dispositivi di aspirazione o di captazione della polvere, assicurarsi che gli stessi siano stati installati correttamente e vengano utilizzati senza errori.** L'utilizzo di un'aspirazione polvere può ridurre lo svilupparsi di situazioni pericolose dovute alla polvere.
 - h) **Una volta presa confidenza con gli utensili, evitare di trascurare le norme di sicurezza.** Una mancanza di attenzione può causare gravi lesioni in una frazione di secondo.
- ## 4) MANEGGIO ED IMPIEGO ACCURATO DI ELETTROUTENSILI
- a) **Non sovraccaricare l'elettroutensile. Impiegare l'elettroutensile adatto per sbrigare il lavoro.** Utilizzando l'elettroutensile adatto si potrà lavorare meglio e con maggior sicurezza nell'ambito della gamma di potenza indicata.
 - b) **Non utilizzare elettroutensili con interruttori difettosi.** Un elettroutensile che non si può più accendere o spegnere è pericoloso e dovrà essere riparato.
 - c) **Prima di procedere ad operazioni di regolazione sull'elettroutensile, prima di sostituire parti accessorie oppure prima di posare l'elettroutensile al termine di un lavoro, estrarre sempre la spina dalla presa della corrente e/o estrarre la batteria ricaricabile, se rimovibile.** Tale precauzione eviterà che l'elettroutensile possa essere messo in funzione inavvertitamente.
 - d) **Custodire gli elettroutensili non utilizzati al di fuori della portata dei bambini. Non fare usare l'elettroutensile a persone che non sono abituate ad usarlo o che non abbiano letto le presenti istruzioni.** Gli elettroutensili sono pericolosi se utilizzati da persone inesperte.
 - e) **Eseguire la manutenzione degli elettroutensili e degli accessori. Verificare che le parti mobili dell'elettroutensile funzionino perfettamente e non s'incepiscono, che non ci siano pezzi rotti o danneggiati al punto tale da limitare la funzione dell'elettroutensile stesso. Far riparare le parti danneggiate prima d'impiegare l'elettroutensile.** Numerosi incidenti vengono causati da elettroutensili la cui manutenzione è stata effettuata poco accuratamente.
 - f) **Mantenere affilati e puliti gli elettroutensili da taglio.** Gli elettroutensili da taglio curati con particolare attenzione e con taglienti affilati s'incepiscono meno frequentemente e sono più facili da condurre.
 - g) **Utilizzare elettroutensili, accessori, attrezzi, ecc. in conformità con le presenti istruzioni. Osservare le condizioni di lavoro ed il lavoro da eseguirsi durante l'impiego.** L'impiego di elettroutensili per usi diversi da quelli consentiti potrà dar luogo a situazioni di pericolo.
 - h) **Mantenere impugnature e superfici di presa asciutte, pulite e prive di olio e grasso.** Impugnature e superfici di presa scivolose non consentono di

manipolare e controllare l'utensile in caso di situazioni inaspettate.

5) MANEGGIO ED IMPIEGO ACCURATO DI ACCUMULATORI

- a) **Caricare l'accumulatore solo ed esclusivamente nei dispositivi di carica consigliati dal produttore.** Per un dispositivo di carica previsto per un determinato tipo di accumulatore, sussiste pericolo di incendio, se utilizzato con un accumulatore di tipo diverso.
- b) **Utilizzare negli elettrotensili solo ed esclusivamente gli accumulatori previsti allo scopo.** L'uso di accumulatori di tipo diverso potrà dare insorgenza a lesioni e comportare il rischio d'incendi.
- c) **Tenere l'accumulatore non utilizzato lontano da graffette, monete, chiavi, chiodi, viti o da altri oggetti in metallo di piccole dimensioni che potrebbero causare un ponte tra i contatti.** Un eventuale corto circuito tra i contatti dell'accumulatore potrà dare origine a bruciacature o ad incendi.
- d) **In caso di impiego sbagliato, potranno insorgere fuoriuscite di liquido dall'accumulatore. Evitarne il contatto. In caso di contatto casuale, sciacquare con acqua. Qualora il liquido dovesse entrare in contatto con gli occhi, chiedere immediato consiglio al medico.** Il liquido fuoriuscito dall'accumulatore potrà causare irritazioni cutanee o bruciacature.
- e) **Non utilizzare una batteria ricaricabile, né un elettrotensile, qualora siano danneggiati o siano stati modificati.** Batterie danneggiate o modificate possono comportare problemi non prevedibili, causando incendi, esplosioni e possibili lesioni.
- f) **Non esporre una batteria ricaricabile o un elettrotensile al fuoco o a temperature eccessive.** L'esposizione al fuoco o a temperature superiori a 130°C può causare esplosioni.
- g) **Rispettare tutte le istruzioni di carica e non caricare la batteria ricaricabile o l'elettrotensile fuori dal campo di temperatura indicato nelle istruzioni stesse.** Una carica non corretta, o fuori dal campo di temperatura indicato, può comportare danni alla batteria ed aumentare il pericolo di incendio.

6) ASSISTENZA

- a) **Fare riparare l'elettrotensile solo ed esclusivamente da personale specializzato e solo impiegando pezzi di ricambio originali.** In tale maniera potrà essere salvaguardata la sicurezza dell'elettrotensile.
- b) **Non sottoporre in alcun caso a manutenzione batterie ricaricabili danneggiate.** La manutenzione di batterie ricaricabili andrà effettuata esclusivamente dal produttore o da fornitori di servizi appositamente autorizzati.

ISTRUZIONI DI SICUREZZA PER LEVIGATRICI

NOTE GENERALI

- Questo utensile non dev'essere utilizzato da persone di età inferiore ai 16 anni
- Questo utensile non può lavorare con acqua
- **Non lavorare mai materiali contenenti amianto** (l'amianto è ritenuto materiale cancerogeno)
- Rimuovere la batteria dall'utensile prima di svolgere una regolazione o sostituire un accessorio

ACCESSORI

- La SKIL garantisce un perfetto funzionamento dell'utensile soltanto se vengono utilizzati accessori originali
- Non continuare ad usare fogli usurati, stagliati oppure già troppo carichi di materiale levigato

PRIMA DELL'USO

- Evitate possibili danneggiamenti da viti e chiodi sporgenti; rimuoverli prima di iniziare la lavorazione
- Durante le operazioni di lavoro il livello di rumorosità può superare 85 dB(A); utilizzare le cuffie di protezione
- Le polveri di materiali come vernici contenenti piombo, alcune specie di legno, minerali e metallo possono essere nocive (il contatto con queste polveri o la loro inalazione possono causare reazioni allergiche e/o disturbi respiratori all'operatore o ad altre persone presenti sul posto); **indossare una maschera protettiva per la polvere e utilizzare un dispositivo per l'estrazione della polvere se è presente una presa di collegamento**
- Alcuni tipi di polvere sono classificati come cancerogeni (quali le polveri di quercia e faggio) specialmente se associate ad additivi per il trattamento del legno; **indossare una maschera protettiva per la polvere e utilizzare un dispositivo per l'estrazione della polvere se è presente una presa di collegamento**
- Rispettare le istruzioni nazionali riguardanti l'estrazione della polvere per i materiali in lavorazione
- Portare guanti protettivi, occhiali di protezione, abiti adatti ed aderenti al corpo e una protezione per i capelli (in caso di capelli lunghi)
- **Fissare il pezzo da lavorare** (un pezzo in lavorazione rimane bloccato in posizione con maggiore sicurezza se fissato con appositi dispositivi di serraggio o con una morsa e non tenendolo con la mano)
- Nella levigatura del metallo vengono generate scintille; non utilizzare la scatola della polvere e allontanare altre persone e materiali infiammabili dall'area di lavoro

DURANTE L'USO

- Evitare di toccare il foglio mentre questo si trova in movimento
- Nel caso di cattivo funzionamento elettrico o meccanico, spegnere subito l'utensile e rimuovere la batteria

DOPO L'USO

- Quando riponete l'utensile accertatevi che non ci siano parti in movimento e che il motore sia spento

BATTERIE

- **Se inclusa, la batteria è parzialmente carica.** (per garantire la piena capacità della batteria, caricarla completamente con il caricabatteria prima del primo uso dell'elettrotensile)
- **Usare solamente le batterie fornite con questo utensile**
 - Batteria SKIL: BR1*31****
 - Caricabatteria SKIL: CR1*31****
- Non usare a batteria quando è danneggiata; deve essere sostituita immediatamente
- Non smontare la batteria
- Non esporre utensile/batteria alla pioggia
- Temperatura ambientale consentita (utensile/caricabatteria/batteria):
 - in fase di ricarica 4...40°C
 - in fase d'esercizio -20...+50°C
 - in fase di stoccaggio -20...+50°C

SPIEGAZIONE DEI SIMBOLI PRESENTI SULL'UTENSILE/

BATTERIA

- ③ Leggere il manuale di istruzioni prima dell'uso
- ④ Le batterie esplodono se gettate nel fuoco, pertanto non bruciare le batterie per alcun motivo
- ⑤ Riponetene utensile/caricabatteria/batteria in luoghi ove non si superino i 50°C
- ⑥ Non gettare l'elettrotennente e le batterie con i rifiuti domestici

USO

- Ricarica batteria
 - ! leggere le avvertenze di sicurezza e le istruzioni fornite con il caricabatteria
- Rimozione/installazione della batteria ②
- Indicatore del livello batteria ⑦
 - premere il pulsante dell'indicatore del livello batteria E per visualizzare il livello attuale ⑦a
 - ! se il livello più basso dell'indicatore del livello batteria inizia a lampeggiare dopo aver premuto il pulsante E ⑦b, la batteria è scarica
 - ! se i 2 livelli dell'indicatore del livello batteria iniziano a lampeggiare dopo aver premuto E ⑦c, la temperatura della batteria non rientra nel campo dei valori di impiego consentiti
- Protezione per la batteria
 - L'utensile si spegne improvvisamente o non può essere acceso, quando
 - il carico è troppo alto --> rimuovere il carico e riavviare
 - la temperatura della batteria non rientra nel campo dei valori di impiego massimi di -20 e +50°C --> 2 i livelli dell'indicatore del livello batteria iniziano a lampeggiare se si preme il pulsante E ⑦c; attendere finché la batteria non è rientrata nel campo dei valori di impiego consentiti
 - la batteria è quasi scarica (per proteggerla contro la scarica profonda) --> l'indicatore del livello batteria mostra un livello batteria basso o un livello batteria lampeggiante ⑦b se si preme il pulsante E; caricare la batteria
 - ! non continuare a premere l'interruttore on/off dopo che l'utensile si è spento automaticamente: ciò potrebbe danneggiare la batteria
- Montaggio del foglio abrasivo ⑧
 - ! rimuovere la batteria dall'utensile prima di svolgere una regolazione o sostituire un accessorio
 - ! per non ostacolare l'aspirazione impiegare solo foglio abrasivo perforato
 - ! i fori del foglio devono corrispondere ai fori della piastra
 - ! sostituire il foglio abrasivo consumato per tempo
 - ! usare l'utensile sempre con l'intera superficie levigante coperta da foglio abrasivo
 - montare il foglio abrasivo di VELCRO come illustrato
- Aspirazione della polvere
 - ! non usare il sacchetto raccogli-polvere durante al smerigliatura di metallo
 - Sacchetto della polvere ⑨
 - montare il sacchetto raccogli-polvere B
 - svuotare regolarmente il sacchetto della polvere per ottimale raccolta della polvere
- Interruttore di acceso/spento

- attivate/disattivate l'utensile premendo in avanti/indietro l'interruttore C ②

! prima che la superficie levigante raggiunga il pezzo in lavorazione, l'utensile deve essere acceso

! prima di spegnere l'utensile, dovrete sollevarlo dal pezzo di lavorazione

- Tenuta e guida dell'utensile ⑩
 - ! durante la lavorazione, impugnare l'utensile sempre in corrispondenza della(e) area(e) grigia(e)
 - tenere l'utensile parallelo alla superficie di lavoro
 - non applicare troppa pressione all'utensile; lasciare che sia la superficie levigante a lavorare per voi
 - non inclinare l'utensile per evitare segni di levigatura non voluti
 - tenere scoperte le feritoie di ventilazione D ②

CONSIGLIO PRATICO

- Utilizzare l'utensile per superfici di lavoro grandi, angoli e bordi ⑪
- Mai eseguire lavorazioni con lo stesso foglio abrasivo su legno e su metallo
- Fogli abrasivi a grana raccomandata per i seguenti usi:
 - per rimuovere vernice e per la sabbatura di legno particolarmente ruvido, utilizzare una grana ruvida (40, 60)
 - per la sabbatura di legno ruvido o grezzo, utilizzare una grana media (80, 100, 120)
 - per levigare legno e superfici con vernice vecchia e per la finitura di legno nudo, utilizzare una grana fine (180, 240, 320)
- Uso di diverse dimensioni di grana per superfici ruvide:
 - iniziare con un foglio a grana ruvida o media
 - terminare con un foglio a grana fine
- Per ulteriori informazioni consultare il sito www.skil.com

MANUTENZIONE / ASSISTENZA

- Tenete sempre puliti utensile e cavo (soprattutto le feritoie di ventilazione D ②)
 - asportare con un pennello la polvere da levigatura che sia rimasta attaccata
 - rimuovere la batteria dall'utensile prima della pulizia
- Se nonostante gli accurati procedimenti di produzione e di controllo l'utensile dovesse guastarsi, la riparazione va fatta effettuare da un punto di assistenza autorizzato per gli elettrotennenti SKIL
 - inviare l'utensile non smontato assieme alle prove di acquisto al rivenditore oppure al più vicino centro assistenza SKIL (l'indirizzo ed il disegno delle parti di ricambio dell'utensile sono riportati su www.skil.com)
- Tenere presente che danni causati da sovraccarico o utilizzo improprio sono esclusi dalla garanzia (per la condizioni di garanzia SKIL, visitare il sito www.skil.com o contattare il proprio rivenditore)

TUTELA DELL'AMBIENTE

- Non gettare l'elettrotennente, le batterie, gli accessori e l'imballaggio con i rifiuti domestici (solo per Paesi UE)
 - secondo la Direttiva Europea 2012/19/CE sui rifiuti di utensili elettrici ed elettronici e la sua attuazione in conformità alle norme nazionali, gli elettrotennenti

esauti devono essere raccolti separatamente, al fine di essere reimpiagati in modo eco-compatibile

- il simbolo ⑥ vi ricorderà questo fatto in fase di smaltimento

! prima dello smaltimento proteggere i terminali delle batterie con nastro pesante per prevenire cortocircuiti

RUMOROSITÀ / VIBRAZIONE

- Misurato secondo EN 62841, il livello di pressione sonora garantito di questo utensile è di 82 dB(A), il livello di rumorosità è di 90 dB(A) (incertezza K = 3 dB) e il livello delle vibrazioni di 3,46 m/s² (somma vettoriale di tre direzioni; incertezza K = 1.5 m/s²)
 - Il livello di emissione delle vibrazioni è stato misurato in conformità a un test standardizzato stabilito dalla norma EN 62841; questo valore può essere utilizzato per mettere a confronto un utensile con un altro o come valutazione preliminare di esposizione alla vibrazione quando si impiega l'utensile per le applicazioni menzionate
 - se si utilizza l'utensile per applicazioni diverse, oppure con accessori differenti o in scarse condizioni, il livello di esposizione potrebbe **umentare** notevolmente
 - i momenti in cui l'utensile è spento oppure è in funzione ma non viene effettivamente utilizzato per il lavoro, possono contribuire a **ridurre** il livello di esposizione
- ! proteggersi dagli effetti della vibrazione effettuando la manutenzione dell'utensile e dei relativi accessori, mantenendo le mani calde e organizzando i metodi di lavoro**

H

Kefe és vezeték nélküli multicsiszoló

3715

BEVEZETÉS

- Ez a szerszám fa, műanyagok, fémek, kitöltő anyagokkal bevont vagy festett felületek szárazcsiszolására szolgál
- Ez a szerszám nem alkalmas gipsz csiszolásra
- Olvassa el figyelmesen és őrizze meg a használati utasítást ③

MŰSZAKI ADATOK ①

SZERSZÁMGÉP ELEMEI ②

- A Tányér
- B Porzsák
- C Be/ki kapcsológomb
- D Szellőzőnyílások
- E Akkumulátor töltöttségi-szint jelző

BIZTONSÁG

ÁLTALÁNOS BIZTONSÁGI ELŐÍRÁSOK AZ ELEKTROMOS KÉZISZERSZÁMOKHOZ

FIGYELMEZTETÉS Olvassa el a szerszámgéphez tartozó biztonsági figyelmeztetéseket, utasításokat, ábrákat és specifikációkat. Az alábbi utasítások figyelmen

kívül hagyása elektromos áramütéshez, tűzhöz és/vagy súlyos balesethez vezethet.

Őrizze meg a jövőbeli használatra is valamennyi biztonsági előírást és utasítást.

Az alább alkalmazott "elektromos kéziszerszám" fogalom a hálózati elektromos kéziszerszámokat (hálózati csatlakozó kábelrel) és az akkumulátoros elektromos kéziszerszámokat (hálózati csatlakozó kábel nélküli) foglalja magában.

1) MUNKAHELYI BIZTONSÁG

- Tartsa tisztán és tartsa rendben a munkahelyét.**
Rendetlen munkahelyek vagy megvilágítatlan munkaterületek balesetekhez vezethetnek.
- Ne dolgozzon az elektromos kéziszerszámmal olyan robbanásveszélyes környezetben, ahol éghető folyadékok, gázok vagy porok vannak.** Az elektromos kéziszerszámok szikrákat bocsáthatnak ki, amelyek meggyújthatják a port vagy a gőzöket.
- Tartsa távol a gyerekeket és az idegen személyeket a munkahelytől, ha az elektromos kéziszerszámot használja.** Ha elvonják a figyelmét a munkától, könnyen elvesztheti az uralmát a berendezés felett.

2) ELEKTROMOS BIZTONSÁGI ELŐÍRÁSOK

- A készülék csatlakozó dugójának bele kell illeszkednie a dugaszolóaljzatba. A csatlakozó dugót semmilyen módon sem szabad megváltoztatni. Védőföldeléssel ellátott készülékekkel kapcsolatban ne használjon csatlakozó adaptert.** A változtatás nélküli csatlakozó dugók és a megfelelő dugaszoló aljzatok csökkentik az áramütés kockázatát.
 - Ne érjen hozzá földelt felületekhez, mint csövekhez, fűtőtestekhez, kályhákhoz és hűtőszekrényekhez.** Az áramütési veszély megnövekszik, ha a teste le van földelve.
 - Tartsa távol az elektromos kéziszerszámot az esőtől és a nedvesség hatásaitól.** Ha víz hatol be egy elektromos kéziszerszámba, ez megnöveli az áramütés veszélyét.
 - Ne használja a kábelt a rendeltetésétől eltérő célokra, vagyis a szerszámot soha ne hordozza vagy akassza fel a kábelnél fogva, és soha ne húzza ki a hálózati csatlakozó dugót a kábelnél fogva. Tartsa távol a kábelt hőforrásoktól, olajtól, éles élektől, sarkaktól és mozgó gépkalkatrészekről.** Egy megrongálódott vagy csomókkal teli kábel megnöveli az áramütés veszélyét.
 - Ha egy elektromos kéziszerszámmal a szabad ég alatt dolgozik, csak a szabadban való használatra engedélyezett hosszabbítót használjon.** A szabadban való használatra engedélyezett hosszabbító használata csökkenti az áramütés veszélyét.
 - Ha nem lehet elkerülni az elektromos kéziszerszám nedves környezetben való használatát, alkalmazzon egy földzárlat megszakítót.** Egy földzárlat megszakító alkalmazása csökkenti az áramütés kockázatát.
- #### 3) SZEMÉLYI BIZTONSÁGI ELŐÍRÁSOK
- Munka közben mindig figyeljen, ügyeljen arra, amit csinál, és meggondoltan dolgozzon az elektromos kéziszerszámmal. Ha fáradt, ha kábítószerek vagy alkohol hatása alatt áll, vagy orvosságokat vett be, ne használja a berendezést.** A berendezéssel végzett

munka közben már egy pillanatnyi figyelmetlenség is komoly sérülésekhez vezethet.

- b) **Viseljen személyi védőfelszerelést és mindig viseljen védőszemüveget.** A személyi védőfelszerelések, mint porvédő álarc, csúszásbiztos védőcipő, védősapka és fülvédő használata az elektromos kéziszerszám használata jellegének megfelelően csökkenti a személyes sérülések kockázatát.
- c) **Kerülje el a készülék akaratlan üzembe helyezését. Győződjön meg arról, hogy az elektromos kéziszerszám ki van kapcsolva, mielőtt bedugná a csatlakozó dugót a dugaszolóaljzatba, csatlakoztatná az akkumulátor-csomagot, és mielőtt felvenné és vinni kezdené az elektromos kéziszerszámot.** Ha az elektromos kéziszerszám felemelése közben az újját a kapcsolón tartja, vagy ha a készüléket bekapcsolt állapotban csatlakoztatja az áramforráshoz, ez balesetekhez vezethet.
- d) **Az elektromos kéziszerszám bekapcsolása előtt okvetlenül távolítsa el a beállító szerszámokat vagy csavarkeycsokat.** Az elektromos kéziszerszám forgó részeiben felejtett beállító szerszám vagy csavarkeycs sérüléseket okozhat.
- e) **Ne becsülje túl önmagát. Kerülje el a normálistól eltérő testtartást, ügyeljen arra, hogy mindig biztosan álljon és az egyensúlyát megtartsa.** Így az elektromos kéziszerszám felett váratlan helyzetekben is jobban tud uralkodni.
- f) **Viseljen megfelelő ruhát. Ne viseljen bő ruhát vagy ékszereket. Tartsa távol a haját és a ruháját a mozgó részekről.** A bő ruhát, az ékszereket és a hosszú hajat a mozgó alkatrészek magukkal rántathatják.
- g) **Ha az elektromos kéziszerszámra fel lehet szerelni a por elszívásához és összegyűjtéséhez szükséges berendezéseket, ellenőrizze, hogy azok megfelelő módon hozzá vannak kapcsolva a készülékhez és rendeltetésüknek megfelelően működnek.** A porgyűjtő berendezések használata csökkenti a munka során keletkező por veszélyes hatását.
- h) **Ne hagyja, hogy az elektromos kéziszerszám gyakori használata során szerzett tapasztalatok olyan önelégültté tegyék, hogy figyelmen kívül hagyja az idevonatkozó biztonsági alapelveket.** Egy gondatlan művelet egy másodperc törtrésze alatt súlyos sérüléseket okozhat.
- 4) AZ ELEKTROMOS KÉZISZERSZÁMOK GONDOS KEZELÉSE ÉS HASZNÁLATA**
- a) **Ne terhelje túl az elektromos kéziszerszámot. A munkájához csak az arra szolgáló elektromos kéziszerszámot használja.** Egy alkalmas elektromos kéziszerszámmal a megadott teljesítménytartományon belül jobban és biztonságosabban lehet dolgozni.
- b) **Ne használjon olyan elektromos kéziszerszámot, amelynek a kapcsolója elromlott.** Egy olyan elektromos kéziszerszám, amelyet nem lehet sem be-, sem kikapcsolni, veszélyes és meg kell javíttatni.
- c) **Húzza ki a csatlakozó dugót a dugaszolóaljzattól és/vagy távolítsa el az akkumulátor-csomagot (ha az leválasztható) az elektromos kéziszerszámtól, mielőtt az elektromos kéziszerszámon beállítási munkákat végez, tartozékokat cserél vagy a**

szerszámot tárolásra elteszi. Ez az elővigyázatossági intézkedés meggátolja a szerszám akaratlan üzembe helyezését.

- d) **A használaton kívüli elektromos kéziszerszámokat olyan helyen tárolja, ahol azokhoz gyerekek ne férhess nek hozzá. Ne hagyja, hogy olyan személyek használják az elektromos kéziszerszámot, akik nem ismerik a szerszámot, vagy nem olvasták el ezt az útmutatót.** Az elektromos kéziszerszámok veszélyesek, ha azokat gyakorlatlan személyek használják.
- e) **Az elektromos kéziszerszámot és tartozékait gondosan tartsa karban. Ellenőrizze, hogy a mozgó alkatrészek kifogástalanul működnek-e, nincsenek-e beszorulva, és nincsenek-e eltörve vagy megrongálódva olyan alkatrészek, amelyek hatással lehetnek az elektromos kéziszerszám működésére. A megrongálódott részeket a készülék használata előtt javíttassa meg.** Sok olyan baleset történik, amelyet az elektromos kéziszerszám nem kielégítő karbantartására lehet visszavezetni.
- f) **Tartsa tisztán és éles állapotban a vágószerszámokat.** Az éles vágóélekkel rendelkező és gondosan ápolat vágószerszámok ritkábban ékelődnek be és azokat könnyebben lehet vezetni és irányítani.
- g) **Az elektromos kéziszerszámokat, tartozékokat, betétszerszámokat stb. csak ezen előírásoknak használja. Vegye figyelembe a munkafeltételeket és a kivitelezendő munka sajátosságait.** Az elektromos kéziszerszám eredeti rendeltetésétől eltérő célokra való alkalmazása veszélyes helyzetekhez vezethet.
- h) **Tartsa szárazon, tisztán és olaj- és zsírmentes állapotban a fogantyúkat és markoló felületeket.** A csúszós fogantyúk és markoló felületek váratlan helyzetekben lehetetlenné teszik az elektromos kéziszerszám biztonságos kezelését és irányítását.
- 5) AZ AKKUMULÁTOROS KÉZISZERSZÁMOK GONDOS KEZELÉSE ÉS HASZNÁLATA**
- a) **Az akkumulátort csak a gyártó által ajánlott töltőkészülékekben töltsé fel.** Ha egy bizonyos akkumulátortípus feltöltésére szolgáló töltőkészülékben egy másik akkumulátort próbál feltölteni, tűz keletkezhet.
- b) **Az elektromos kéziszerszámban csak az ahhoz tartozó akkumulátort használja.** Más akkumulátorok használata személyi sérüléseket és tüzet okozhat.
- c) **Tartsa távol a használaton kívüli akkumulátort irodai kapcsolóktól, pénzérméktől, kulcsoktól, szögektől, csavaroktól és más kisméretű fémtárgyaktól, amelyek áthidalhatják az érintkezőket.** Az akkumulátor érintkezői közötti rövidzárlat égési sérüléseket vagy tüzet okozhat.
- d) **Hibás alkalmazás esetén az akkumulátorból folyadék léphet ki. Kerülje el az érintkezést a folyadékkal. Ha véletlenül mégis érintkezésbe jutott az akkumulátorfolyadékkal, azonnal öblítse le vízzel az érintett felületet. Ha a folyadék a szemébe jutott, keressen fel ezen kívül egy orvost.** A kilépő akkumulátorfolyadék irritációkat vagy égéses bőrsérüléseket okozhat.
- e) **Sohase használjon egy akkumulátor csomagot, ha az megrongálódott, vagy ha változtatásokat hajtott végre rajta.** A megrongálódott vagy megváltoztatott akkumulátorok előreláthatatlan módon viselkedhetnek, amely tűzhöz, robbanáshoz vagy

sérülésveszélyhez vezet.

- f) **Ne tegye ki az akkumulátor csomagokat tűz, vagy extrém hőmérséklet hatásának.** Ha az akkumulátort tűznek, vagy 130°C-ot meghaladó hőmérsékletnek teszi ki, ez robbanást okozhat.
- g) **Tartsa be valamennyi töltési előírást és ne töltsen fel az akkumulátort, ha annak a hőmérséklete az utasításokban megadott hőmérséklet tartományon kívül van.** Az akkumulátor nem megfelelő módon, vagy a megdott hőmérséklet tartományon kívüli feltöltése megrongálhatja az akkumulátort és megnövelheti a tűzveszélyt.
- 6) **SZERVIZ**
- a) **Az elektromos kéziszerszámot csak szakképzett személyzet és csak eredeti pótalkatrészek felhasználásával javíthatja.** Ez biztosítja, hogy az elektromos kéziszerszám biztonságos szerszám maradjon.
- b) **Sohase szervizeljen megrongálódott akkumulátor csomagokat.** Az akkumulátor csomagokat csak a gyártónak, vagy az erre feljogosított szolgáltatóknak szabad szervizelniük.

BIZTONSÁGI ELŐÍRÁSOK CSISZOLÓKHOZ

ÁLTALÁNOS TUDNIVALÓK

- A készüléket csak 16 éven felüli személyek használják
- Ez a készülék nedves csiszolási munkálatokhoz nem használható
- **Ne munkáljon meg a berendezéssel azbesztes tartalmazó anyagokat** (az azbesztesnek rákkeltő hatása van)
- Vegye ki az akkumulátort a szerszámot, mielőtt beállításokat végezne vagy tartozékcseré előtt

TARTOZÉKOK

- SKIL cég kizárólag eredeti alkatrészek és kiegészítők alkalmazása esetén tudja garantálni a gép problémamentes működését
- Ne üzemeltesse a csiszológépet kopott, szakadt vagy erősen szoruló csiszoló papírral

HASZNÁLAT ELŐTT

- Ügyeljen arra, hogy a munkadarabban lévő csavar, szög vagy hasonló sérüléseket ne okozhasson; a munka megkezdése előtt eltávolítandó
- Munka közben a zaj meghaladhatja a 85 dB(A); használjon fülvédőt
- Az anyagból származó por, mint például az ólomot, néhány fafajtát, ásványi anyagokat és fémeket tartalmazó festék, káros lehet (a por érintése vagy belégzése allergiás reakciókat és/vagy légzőszervi betegségeket okozhat a kezelő, illetve a közelben állók esetében); **viseljen pormaszkot és amennyiben csatlakoztatható, dolgozzon porszívó berendezéssel**
- Bizonyos porfajták rákkeltő besorolással rendelkeznek (ilyen például a tölgy- és a bükkfa pora), különösen a fa kondicionálására szolgáló adalékokkal együtt; **viseljen pormaszkot és amennyiben csatlakoztatható, dolgozzon porszívó berendezéssel**
- Kövesse a por kezelésével kapcsolatos helyi előírásokat azon termékkel kapcsolatosan, amellyel dolgozni kíván
- Viseljen védőkesztyűt, védőszemüveget, testhez álló ruházatot és ügyeljen haja védelmére (hosszú haj esetén)
- **Rögzítse a munkadarabot** (befogókészülékkel vagy

satuval befogott munkadarabot sokkal biztonságosabban lehet rögzíteni mint a kézzel tartottat)

- Fém csiszolásakor szikra keletkezik; ne használjon porzsákat; ügyeljen arra, hogy senki ne tartózkodjon a munkaterületen, és ne legyen a közelben gyúlékony anyag

HASZNÁLAT KÖZBEN

- Ne nyúljon a mozgásban lévő csiszoló papírral
- Normálistól eltérő működés valamint szokatlan, idegen hangok esetén a készüléket azonnal kapcsolja ki és a távolítsa el az akkumulátort

A HASZNÁLATOT KÖVETŐEN

- A gépet soha ne hagyja bekapcsolt állapotban, ha már nem dolgozik vele

AKKUMULÁTOR

- **A tartozék akkumulátor részlegesen van feltöltve** (az akkumulátor teljes kapacitásának biztosításához teljes töltöttségi állapotig töltsen azt a kéziszerszám első használatát megelőzően)
- **Csak a következő akkumulátorokkal és töltőkkel használja a szerszámot**
 - SKIL akkumulátor: BR1*31****
 - SKIL töltő: CR1*31****
- A hibás akkumulátor ne használja, hanem cserélje ki
- Ne szerelje szét az akkumulátort
- A gépet/akkumulátort óvja az esőtől
- Megengedett környezeti hőmérséklet (szerszám/töltő készülék/akkumulátor):
 - a töltés során 4...40°C
 - az üzemeltetés során -20...+50°C
 - a tárolás során -20...+50°C

A KÉSZÜLÉKEN/AKKUMULÁTORON TALÁLHATÓ SZIMBÓLUMOK MAGYARÁZATA

- ③ Használat előtt olvassa el a használati utasítást
- ④ Ha az akkumulátorok tűzbe kerülnek, akkor felrobbanhatnak, ezért semmilyen okból ne égesse el az akkumulátorokat
- ⑤ A gépet/töltőkészüléket/akkumulátort ne tárolja 50°C feletti helyiségben
- ⑥ Ne dobja az elektromos kéziszerszámokat és elemek a háztartási szemétkébe

KEZELÉS

- Az akkumulátor töltése
 - ! **olvassa el a töltővel kapott biztonsági figyelmeztetéseket és utasításokat**
 - Akkumulátorok eltávolítása/telepítése ②
 - Akkumulátor töltöttségi-szint jelző ⑦
 - nyomja meg az akkumulátor töltöttségi szintjelző gombot E az aktuális akkumulátorszint kijelzéséhez ⑦a
 - ! **amikor a E ⑦b gomb megnyomása után a legalacsonyabb akkumulátor töltöttség jelző villog, az akkumulátor lemerült**
 - ! **ha a 2 akkumulátor töltöttségi szint jelző indikátor elkezd villogni a E ⑦c gomb megnyomása után, az akkumulátor hőmérséklete a megengedett működési tartományon kívül van**
- Az akkumulátor védelme
 - A gép hirtelen kikapcsol vagy nem lehet visszakapcsolni, ha
 - **a teher túl nagy** --> távolítsa el a terhet és kezdje újra
 - **az akkumulátor hőmérséklete nem a megengedett**

-20 és +50 °C működési tartományon belül van --> a 2 akkumulátor töltöttségi szintet jelző indikátor elkezd villogni a E ⑦c gomb megnyomása után; várja meg, míg az akkumulátor hőmérséklete ismét a megengedett működési tartományon belül van

- az akkumulátor majdnem teljesen lemerült/üres (mély kisülés elleni védelem) --> ⑦b alacsony akkumulátor töltöttséget vagy villogó akkumulátor töltöttséget jelez az indikátor, ha megnyomja a E gombot; töltsé fel az akkumulátort
! ha a készülék automatikusan kikapcsolt, ne próbálja nyomogatni a be-/kikapcsoló gombot, mert az akkumulátor megsérülhet

- Csiszolópapír rögzítés ⑧
! vegye ki az akkumulátort a szerszámot, mielőtt beállításokat végezne vagy tartozékcsere előtt
! a porleszíváshoz perforált, lyukacsos csiszolópapírra van szüksége
! a csiszolópapíron lévő perforálásoknak a csiszolótalpon lévő lyukakkal egybe kell esniük
! az elhasznált csiszolópapírt időben ki kell cserélni
! a készüléket mindig úgy használja, hogy a csiszolópapír fedje a teljes felületet
 - helyezze fel a VELCRO csiszolópapírt az ábra alapján
- Por elszívás
! ne használjon porzsákat fém csiszolásakor
Porzsák ⑨
 - az B porzsákat szerelje fel
 - a porzsákat időben történő ürítése segíti a tökéletes porgyűjtést
- Be/ki kapcsológomb
 - a gépet az C ② kapcsoló előre/hátranyomásával kapcsolhatja be/ki
 - ! először kapcsoljuk be a gépet, és csak azután vezessük a munkadarabra**
 - ! kikapcsolás előtt készülékét távolítsa el a munkadarabtól**
- A gép vezetése és tartása ⑩
! munka közben mindvégig tartsa gépet a szürke színű markolati terület(ek)en
 - a gépet tartsa párhuzamosan a megmunkálandó felülettel
 - ne gyakoroljon túl nagy nyomást a gépre; hagyja azt egyedül dolgozni
 - mindig a teljes felülettel csiszoljon, hogy a nemkívánatos csiszolási nyomokat elkerülje
 - a szellőzőnyílásokat D ② mindig tartsa szabadon

HASZNÁLAT

- Használja a szerszámot nagyobb felületek, sarkak és szélek csiszolásához ⑪
- Soha ne használjuk ugyanazt a csiszolópapírt fa és fém esetén
- Ajánlott szemcsefinomságok:
 - festék eltávolításához és nagyon durva fafelület csiszolásához használjon nagy szemcse nagyságú csiszolópapírt (40, 60)
 - durva vagy sima fafelület csiszolásához használjon közepes szemcse nagyságú csiszolópapírt (80, 100, 120)
 - régi festékréteget hordozó fafelület és festetlen fafelület simítására használjon finom szemcse nagyságú csiszolópapírt (180, 240, 320)

- Nyers felület megmunkálásánál használjunk különböző szemcse nagyságú csiszolópapírt:
 - először durva vagy közepes szemcse nagyságú
 - végül finom szemcse
- A további információkért lásd a www.skil.com oldalt

KARBANTARTÁS / SZERVIZ

- Mindig tartsa tisztán a gépet és a vezetéket (különös tekintettel a szellőzőnyílásokra D ②)
 - kefe segítségével távolítsa el a szerszámra tapadt csiszolóport
 - távolítsa el az akkumulátort a tisztítás előtt
- Ha a gép a gondos gyártási és ellenőrzési eljárás ellenére egyszer mégis meghibásodna, akkor a javítással csak SKIL elektromos kéziszerszám-műhely ügyfélszolgálatát szabad megbízni
 - küldje az **összeszerelt** gépet a vásárlást bizonyító számlával együtt a kereskedő vagy a legközelebbi SKIL szervizállomás címére (a címlista és a gép szervizdiagramja a www.skil.com címen található)
- Vegye figyelembe, hogy a garancia nem fedi le a túlterhelés és a gép helytelen használatából miatti okozott károkat (a SKIL garanciális feltételeit elolvashatja a www.skil.com oldalon, vagy kérdezze meg kereskedőjét)

KÖRNYEZET

- **Az elektromos kéziszerszámokat, elemek, tartozékokat és csomagolást ne dobja a háztartási szemétkébe** (csak EU-országok számára)
 - a használt villamos és elektronikai készülékekről szóló 2012/19/EK irányelv és annak a nemzeti jogba való átültetése szerint az elhasznált elektromos kéziszerszámokat külön kell gyűjteni, és környezetbarát módon újra kell hasznosítani
 - erre emlékeztet a ④ jelzés, amennyiben felmerül az intézkedésre való igény
- ! az akkumulátor hatástalanítása előtt az akkumulátor végelt erős szalaggal biztosítsuk, hogy a kúszóáramokat kiküszöbölhessük**

ZAJ / REZGÉS

- Az EN 62841-es szabványnak megfelelően végzett mérés szerint a szerszám hangnyomása 82 dB(A), hangerőszintje 90 dB(A) (bizonytalanság K = 3 dB), a vibráció pedig 3,46 m/s² (háromtengelyű vektor összege; bizonytalanság K = 1,5 m/s²)
- A rezgés-kibocsátási szint mérése az EN 62841 szabványban meghatározott szabványosított teszttel összhangban történt; ez egy eszköznek egy másik eszközzel történő összehasonlítására, illetve a rezgésnek való kitettség előzetes felmérésére használható fel az eszköznek az említett alkalmazásokra történő felhasználása során
 - az eszköznek eltérő alkalmazásokra, vagy eltérő, illetve rosszul karbantartott tartozékokkal történő felhasználása jelentősen **emelheti** a kitettség szintjét
 - az idő, amikor az eszköz ki van kapcsolva, vagy amikor ugyan működik, de ténylegesen nem végez munkát, jelentősen **csökkentheti** a kitettség szintjét
- ! az eszköz és tartozékai karbantartásával, kezének melegen tartásával, és munkavégzésének megszervezésével védje meg magát a rezgések hatásaitól**

Bez kabelová multifunkční bruska s bezkartáčovým motorem 3715

ÚVOD

- Toto nářadí je určeno k broušení dřeva za sucha, plastů, kovů, tmelu a lakovaných povrchů
- Tento nástroj není určen k broušení sádrokartonu
- Tento návod s pokyny si pečlivě přečtěte a uschovejte ③

TECHNICKÁ DATA ①

SOUČÁSTI NÁSTROJE ②

- A Unašeč
- B Prachový sáček
- C Spínač "zapnuto/vypnuto"
- D Větrací štěrbiny
- E Indikátor akumulátoru

BEZPEČNOST

OBECNÉ BEZPEČNOSTNÍ POKYNY PRO ELEKTRONÁŘADÍ

VAROVÁNÍ Přečtěte si veškerá bezpečnostní upozornění, pokyny, obrázky a technické údaje, které jsou s tímto elektrickým nástrojem dodávány. Nedodržení všech níže uvedených pokynů může vést k úrazu elektrickým proudem, požáru a/nebo vážnému zranění.

Všechny pokyny a výstrahy uchovejte pro budoucí potřebu.

Ve varovných upozorněních použitý pojem "elektronářadí" se vztahuje na elektronářadí provozované na el. síti (se síťovým kabelem) a na elektronářadí provozované na akumulátoru (bez síťového kabelu).

1) BEZPEČNOST PRACOVNÍHO MÍSTA

- a) **Udržujte Vaše pracovní místo čisté a uklizené.** Nepořádek nebo neosvětlené pracovní oblasti mohou vést k úrazům.
- b) **Se strojem nepracujte v prostředích ohrožených explozí, kde se nacházejí hořlavé kapaliny, plyny nebo prach.** Elektronářadí vytváří jiskry, které mohou prach nebo páry zapálit.
- c) **Děti a jiné osoby udržujte při použití elektronářadí daleko od Vašeho pracovního místa.** Při rozptýlení můžete ztratit kontrolu nad strojem.

2) ELEKTRICKÁ BEZPEČNOST

- a) **Připojovací zástrčka stroje musí lícovat se zásuvkou. Zástrčka nesmí být žádným způsobem upravena. Společně se stroji s ochranným uzemněním nepoužívejte žádné adaptérové zástrčky.** Neupravené zástrčky a vhodné zásuvky snižují riziko elektrického úderu.
- b) **Zabraňte kontaktu těla s uzemněnými povrchy, jako např. potrubí, topení, sporáky a chladničky. Je-li**

Vaše tělo uzemněno, existuje zvýšené riziko elektrického úderu.

- c) **Chraňte stroj před deštěm a vlhkem.** Vniknutí vody do elektrického stroje zvyšuje nebezpečí elektrického úderu.
 - d) **Dbejte na účel kabelu, nepoužívejte jej k nošení či zavěšení stroje nebo vytažení zástrčky ze zásuvky. Udržujte kabel daleko od tepla, oleje, ostrých hran nebo pohyblivých dílů stroje.** Poškozené nebo spletené kabely zvyšují riziko elektrického úderu.
 - e) **Pokud pracujete s elektronářadím venku, použijte pouze takové prodlužovací kabely, které jsou schváleny i pro venkovní použití.** Použití prodlužovacího kabelu, jež je vhodný pro použití venku, snižuje riziko elektrického úderu.
 - f) **Pokud se nelze vyhnout provozu elektronářadí ve vlhkém prostředí, použijte ochranný jistič.** Nasazení ochranného jističe snižuje riziko úderu elektrickým proudem.
- ### 3) BEZPEČNOST OSOB
- a) **Budte pozorní, dávejte pozor na to, co děláte a přistupujte k práci s elektronářadím rozumně. Stroj nepoužívejte pokud jste unaveni nebo pod vlivem drog, alkoholu nebo léků.** Moment nepozornosti při použití elektronářadí může vést k vážným poraněním.
 - b) **Noste osobní ochranné pomůcky a vždy ochranné brýle.** Nošení osobních ochranných pomůcek jako maska proti prachu, bezpečnostní obuv s protiskluzovou podrážkou, ochranná přilba nebo sluchátka, podle druhu nasazení elektronářadí, snižují riziko poranění.
 - c) **Zabraňte neúmyslnému uvedení do provozu. Přesvědčte se, že je elektronářadí vypnuté dříve než jej uchopíte, ponesejte či připojíte na zdroj proudu a/ nebo akumulátor.** Máte-li při nošení elektronářadí prst na spínači nebo pokud stroj připojíte ke zdroji proudu zapnutý, pak to může vést k úrazům.
 - d) **Než stroj zapnete, odstraňte seřizovací nástroje nebo šroubovák.** Nástroj nebo klíč, který se nachází v otáčivém dílu stroje, může vést k poranění.
 - e) **Nepřeceňujte se. Zajistěte si bezpečný postoj a vždy udržujte rovnováhu.** Tím můžete stroj v neočekávaných situacích lépe kontrolovat.
 - f) **Noste vhodný oděv. Nenoste žádný volný oděv nebo šperky. Vlasy a oděv udržujte daleko od pohybujících se dílů.** Volný oděv, šperky nebo dlouhé vlasy mohou být zachyceny pohybujícími se díly.
 - g) **Lze-li namontovat odsávací či zachycující přípravky, přesvědčte se, že jsou připojeny a správně použity.** Použití odsávání prachu může snížit ohrožení prachem.
 - h) **Dbejte na to, abyste při častém používání nářadí nebyli méně ostražití a nezapomínali na bezpečnostní zásady.** Nedbalé ovládání může způsobit těžké poranění za zlomek sekundy.
- ### 4) SVĚDOMITÉ ZACHÁZENÍ A POUŽÍVÁNÍ ELEKTRONÁŘADÍ
- a) **Stroj nepřetěžujte. Pro svou práci použijte k tomu určený stroj.** S vhodným elektronářadím budete pracovat v udané oblasti výkonu lépe a bezpečněji.
 - b) **Nepoužívejte žádné elektronářadí, jehož spínač je vadný.** Elektronářadí, které nelze zapnout či vypnout je nebezpečné a musí se opravit.
 - c) **Než provedete seřízení stroje, výměnu dílů příslušenství nebo stroj odložíte, vytáhněte**

- zástrčku ze zásuvky a/nebo odstraňte odpojitelny akumulátor.** Toto preventivní opatření zabrání neúmyslnému zapnutí stroje.
- d) **Uchovávejte nepoužívané elektronářadí mimo dosah dětí. Nenechte stroj používat osobám, které se strojem nejsou seznámeny nebo nečetly tyto pokyny.** Elektronářadí je nebezpečné, je-li používáno nezkušenými osobami.
- e) **Pečujte o elektronářadí a příslušenství svědomitě. Zkontrolujte, zda pohyblivé díly stroje bezvadně fungují a nevzpříčují se, zda díly nejsou zlomené nebo poškozené tak, že je omezena funkce stroje. Poškozené díly nechte před nasazením stroje opravit.** Mnoho úrazů má příčinu ve špatně udržovaném elektronářadí.
- f) **Řezné nástroje udržujte ostré a čisté.** Pečlivě ošetrované řezné nástroje s ostrými řeznými hranami se méně vzpříčují a dají se lehčeji vést.
- g) **Používejte elektronářadí, příslušenství, nasazovací nástroje apod. podle těchto pokynů. Respektujte přítom pracovní podmínky a prováděnou činnost.** Použití elektronářadí pro jiné než určující použití může vést k nebezpečným situacím.
- h) **Udržujte rukojeti a úchytné plochy suché, čisté a bez oleje a maziva.** Kluzké rukojeti a úchytné plochy neumožňují bezpečnou manipulaci a ovládání nářadí v neočekávaných situacích.
- 5) SVĚDOMITÉ ZACHÁZENÍ A POUŽÍVÁNÍ AKUMULÁTOROVÉHO NÁŘADÍ**
- a) **Akumulátory nabíjete pouze v nabíječce, která je doporučena výrobcem.** Pro nabíječku, která je vhodná pro určitý druh akumulátorů, existuje nebezpečí požáru, je-li používána s jinými akumulátory.
- b) **Do elektronářadí používejte pouze k tomu určené akumulátory.** Použití jiných akumulátorů může vést k poraněním a požárům.
- c) **Nepoužívaný akumulátor uchovávejte mimo kancelářské sponky, mince, klíče, hřebíky, šrouby nebo jiné drobné kovové předměty, které mohou způsobit přemostění kontaktů.** Zkrat mezi kontakty akumulátoru může mít za následek opálení nebo požár.
- d) **Při špatném použití může z akumulátoru vytéci kapalina. Zabraňte kontaktu s ní. Při náhodném kontaktu opláchněte místo vodou. Pokud kapalina vnikne do očí, navštivte navíc i lékaře.** Vytékající akumulátorová kapalina může způsobit podráždění pokožky nebo popálení.
- e) **Nepoužívejte akumulátor nebo nářadí, které jsou poškozené nebo upravené.** Poškozené nebo upravené akumulátory se mohou chovat nepředvídaně a způsobit požár, výbuch nebo poranění.
- f) **Nevystavujte akumulátor nebo nářadí ohni nebo nadměrné teplotě.** Vystavení ohni nebo teplotě nad 130°C může způsobit výbuch.
- g) **Dodržujte všechny pokyny pro nabíjení a nenabíjejte akumulátor nebo nářadí mimo teplotní rozsah uvedený v pokynech.** Nesprávné nabíjení nebo nabíjení při teplotách mimo uvedený rozsah může poškodit akumulátor a zvýšit riziko požáru.
- 6) SERVIS**
- a) **Nechte Váš stroj opravit pouze kvalifikovaným odborným personálem a pouze s originálními náhradními díly.** Tím bude zajištěno, že bezpečnost

stroje zůstane zachována.

- b) **Nikdy neprovádějte servis poškozených akumulátorů.** Servis akumulátorů by měl provádět pouze výrobce nebo autorizovaná opravna.

BEZPEČNOSTNÍ PŘEDPISY PRO BRUSKY

OBECNĚ

- Tento nástroj nesmí používat osoby mladší 16 let
- Tento nářadí není vhodný k broušení za mokra
- **Nepracovávají žádný materiál obsahující azbest** (azbest je karcinogenní)
- Před nastavením nebo výměnou příslušenství vždy vytáhněte akumulátor

PŘÍSLUŠENSTVÍ

- SKIL zajistí bezvadnou funkci nářadí pouze tehdy, používáte-li původní značkové
- Opatřebované, natřené nebo zanesené brusný papír vždy ihned vyměňte

PŘED POUŽITÍM

- Vrtačku nepoužívejte je-li navlhla a nepracuje v blízkosti snadno zápalných nebo výbušných materiálů; před zahájením práce je odstraňte
- Hladina hluku může při práci přesáhnout 85 dB(A); vhodným prostředkem si chráňte udi
- Prach z látek, jako jsou barvy obsahující olovo, některé druhy dřeva, minerály a kovy, může být škodlivý (kontakt s prachem nebo jeho vdechnutí může způsobit alergickou reakci a/nebo vyvolat respirační choroby u obsluhy nebo přihlízejících); **nošte protiprachovou masku a pracujte se zařízením na odsávání prachu, pokud je možné jej připojit**
- Některé druhy prachu jsou klasifikovány jako karcinogenní (například dubový a bukový prach) zejména ve spojení s přísadami pro úpravu dřeva; **nošte protiprachovou masku a pracujte se zařízením na odsávání prachu, pokud je možné jej připojit**
- Dodržujte stanovená nařízení pro práci v prašném prostředí
- Při práci použijte ochranné rukavice, ochranné brýle, síťku na vlasy (dlouhé) a oděv, který se nástrojem nemůže zachytit
- **Zajistěte obráběný díl** (obráběný díl uchycený pomocí upínacích zařízení nebo ve svěráku je mnohem bezpečnější než v ruce)
- Při broušení vznikají jiskry; nepoužívejte lapač prachu a pracoviště udržujte čisté a nepouštějte k němu neoprávněné osoby

BĚHEM POUŽITÍ

- Nedotýkejte se pohybujícího se brusného papíru
- V případě atypického chování nebo cizích hluků ihned vypněte nářadí a vyjměte akumulátor

PO POUŽITÍ

- Jakmile se hodláte vzdálit od nářadí, měl byste ho vypnout a vyčkat, dokud se pohybující části nezastaví

AKUMULÁTORY

- **Dodaný akumulátor je případně částečně nabitý** (v zájmu zajištění maximální kapacity akumulátoru jej před prvním použitím vašeho elektronástroje úplně dobijte v nabíječce)
- **Používejte pouze následující akumulátory a nabíječky dodávané s tímto nástrojem**
 - Akumulátor SKIL: BR1*31****
 - Nabíječka SKIL: CR1*31****
- Poškozený akumulátor nepoužívejte, nahraďte jej novým
- Akumulátor nerozebírejte

- Nevystavujte nástroj/akumulátor dešti
- Povolená teplota prostředí (nářadí/nabíječka/akumulátor):
 - při nabíjení 4...40°C
 - při provozu -20...+50°C
 - při skladování -20...+50°C

VYSVĚTLENÍ SYMBOLŮ NA NÁSTROJI/BATERII

- ③ Před použitím si přečtěte návod k použití
- ④ Baterie při vhození do ohně explodují, proto je nikdy nevhazujte do otevřeného plamene
- ⑤ Nářadí/nabíječ/akumulátor ukládejte na vhodné, suché a zajištěné místo, v prostorách s teplotou maximálně 50°C
- ⑥ Nevyhazujte elektrické nářadí a baterie do komunálního odpadu

OBSLUHA

- Nabíjení akumulátorů
 - ! přečtěte si bezpečnostní upozornění a pokyny, které byly dodány spolu s nabíječkou
- Vyjmutí/instalace akumulátoru ②
- Indikátor akumulátoru ⑦
 - stiskněte tlačítko indikátoru akumulátoru E, aby ukazovalo aktuální úroveň nabití ⑦a
 - ! když po stisknutí tlačítka E ⑦b začne blikat nejnižší úroveň indikátoru akumulátoru, akumulátor je vypnutý
 - ! když úrovně 2 indikátoru akumulátoru začnou blikat po stisknutí tlačítka E ⑦c, akumulátor není v rozsahu přípustných provozních teplot
- Ochrana baterie
 - Nářadí se najednou vypne nebo mu je zabráněno v zapnutí, když
 - je zátěž příliš vysoká --> odstraňte zátěž a proveďte restart
 - teplota akumulátoru není v rozsahu přípustných provozních teplot -20 až +50 °C --> úrovně 2 indikátoru akumulátoru začnou blikat po stisknutí tlačítka E ⑦c; počkejte, dokud se akumulátor nevrátí do rozsahu přípustných provozních teplot
 - Akumulátor je téměř vybitý (ochrana před přílišným vybitím) --> při stisknutí tlačítka E indikátor akumulátoru zobrazí nízkou úroveň baterie nebo blikající nízkou úroveň akumulátoru ⑦b; vyměňte akumulátor
 - ! po automatickém vypnutí nástroje netiskněte vypínač; mohlo by dojít k poškození akumulátoru
- Připevňování brusného papíru ⑩
 - ! před nastavením nebo výměnou příslušenství vždy vytáhněte akumulátor
 - ! pro odsávání je nutné používat perforovaný brusný papír
 - ! otvory v brousící papíru musí souhlasit s otvory v brousící desu
 - ! opotřebovaný papír včas vyměňte
 - ! vždy nářadí tak, že celý brusný povrch pokryjete brusným papírem
 - upevněte brusný papír VELCRO podle obrázku
- Odsávání prachu
 - ! při broušení kovů prachový sáček nepoužívejte
 - Prachový sáček ⑨
 - namontovat prachový sáček B
 - k zajištění optimálního odsávání prachu pravidelně vyprázdněte prachový sáček
- Spínač "zapnuto/vypnuto"

- zapněte/vypněte nářadí pomocí spínače C ② posunutím dopředu/směru

! brusku nejprve zapněte a pak přiložte brousící plochou na obráběný předmět

! před vypnutím nářadí nejprve odejměte od obrobku

- Držení a vedení nástroje ⑩
 - ! při práci vždy držte nástroj v šedé zbarvené oblasti rukojeti
 - udržujte brusku rovnoběžně s obráběnou plochou
 - na nářadí příliš netlačte, nechte pracovat brousící plochu za vás
 - zabráněte tak vzniku nežadoucích rýh na obráběném materiálu
 - udržujte větrací štěrby D ② nezakryté

NÁVOD K POUŽITÍ

- Nástroj použijte k opracování velkých ploch, rohů a hran ⑪
- Dřevo a kovy se nesmí brousit stejným brusným papírem
- Doporučená zrnitost brousícího papíru:
 - k odstraňování nátěrů a broušení hrubého dřevěného povrchu použijte hrubozrný brusný materiál (40, 60)
 - k broušení hrubého nebo hladkého dřeva použijte brusný materiál se střední zrnitostí (80, 100, 120)
 - k vyhlazování dřeva a povrchů se starým nátěrem a ke konečné úpravě neošetřeného dřeva použijte brusný materiál s jemnou zrnitostí (180, 240, 320)
- Použijte různé zrnění, jestliže je opracovaná plocha hrubá:
 - zpočátku použijte papír se hrubým nebo středním zrněním
 - práci dokončete papírem s jemným zrněním
- Další informace najdete na www.skil.com

ÚDRŽBA / SERVIS

- Nástroj a přírodní šňůru udržujte čisté (zejména větrací štěrby D ②)
 - brusný prach Inoucí k nástroji odstraňte kartáčem
 - před montáží vyjměte akumulátor z nástroje
- Pokud dojde i přes pečlivou výrobu a náročnou kontrolu k poruše nástroje, světe provedení opravy autorizovanému servisnímu středisku pro elektronářadí firmy SKIL
 - zašlete nástroj nerozebraný spolu s potvrzením o nákupu své prodejně nebo nejbližšímu servisu značky SKIL (adresy a servisní schéma nástroje najdete na www.skil.com)
- Uvědomte si, že na poškození způsobené přetížením nebo nesprávným zacházením se nevztahuje záruka (záruční podmínky společnosti SKIL najdete na adrese www.skil.com nebo se obraťte na prodejce)

ŽIVOTNÍ PROSTŘEDÍ

- Elektrické nářadí, baterie, doplňky a balení nevyhazujte do komunálního odpadu (jen pro státy EU)
 - podle evropské směrnice 2012/19/EG o nakládání s použitými elektrickými a elektronickými zařízeními a odpovídajících ustanovení právních předpisů jednotlivých zemí se použitá elektrická nářadí, musí sbírat odděleně od ostatního odpadu a podrobit ekologicky šetrnému recyklování

- symbol ⑥ na to upozorňuje

! u vyřazených akumulátorů zakryjte kontakty izolační páskou, zabráníte tím plazivým proudům

HLUČNOSTI / VIBRACÍ

- Při měření v souladu s normou EN 62841 je hladina akustického tlaku tohoto nástroje 82 dB(A), hladina hlučnosti 90 dB(A) (nepřesnost K = 3 dB) a vibrace 3,46 m/s² (celkové hodnoty vibrací; nepřesnost K = 1,5 m/s²)
 - Úroveň vibrací byla měřena v souladu se standardizovaným testem podle EN 62841; je možné ji použít ke srovnání jednoho přístroje s druhým a jako předběžné posouzení vystavování se vibracím při používání přístroje k uvedeným aplikacím
 - používání přístroje k jiným aplikacím nebo s jiným či špatně udržovaným příslušenstvím může zásadně zvýšit úroveň vystavení se vibracím
 - doba, kdy je přístroj vypnutý nebo kdy běží, ale ve skutečnosti není využíván, může zásadně snížit úroveň vystavení se vibracím
- ! chraňte se před následky vibrací tak, že budete dbát na údržbu přístroje a příslušenství, budete si udržovat teplé ruce a uspořádáte si své pracovní postupy**

TR

Firčásavý šarží multi zimpára 3715 GİRİŞ

- Bu aletle tahta, plastik, metal, macunlu ve boyalı yüzeylerin kuru zimparası için geliştirilmiştir
- Bu alet alçı taşı zimparalamaya yönelik değildir
- Bu kullanma kılavuzunu okuyun ve saklayın ③

TEKNİK VERİLER ①

ALET BİLEŞENLERİ ②

- A Zimpára tablası
- B Toz torbası
- C Açma/kapama şalteri
- D Havalandırma yuvaları
- E Batarya şarj süre göstergesi

GÜVENLİK

GENEL ELEKTRİK EL ALETİ GÜVENLİK UYARILARI

⚠ UYARI Bu elektrikli alet ile birlikte verilen tüm uyarıları, talimatları, resimleri ve özellikleri okuyun. Aşağıda listelenen talimatların tamamına uyulmaması durumunda elektrik çarpması, yangın ve/veya ciddi yaralanmalar meydana gelebilir.

Tüm uyarı ve talimatları ilerde kullanmak üzere saklayın.

Uyarı ve talimat hükümlerinde kullanılan "elektrikli el aleti" kavramı, akım şebekesine bağlı (şebeke bağlantı kablosu ile) aletlerle akü ile çalışan aletleri (akım şebekesine bağlantısı olmayan aletler) kapsamaktadır.

1) ÇALIŞMA YERİ GÜVENLİĞİ

- Çalıştığınız yeri temiz ve düzenli tutun.** Düzensizlik veya yetersiz aydınlatma kazalara neden olabilir.
- Yanıcı sıvıların, gazların veya tozların bulunduğunu patlama tehlikesi olan yer ve mekânlarda aletle çalışmayın.** Elektrikli el aletleri, toz veya buharların tutuşmasına veya yanmasına neden olan kıvılcımlar çıkarırlar.
- Elektrikli el aletle çalışırken çocukları ve başkalarını çalışma alanınızın uzağında tutun.** Yakınızdaki bulunan kişiler dikkatinizi dağıtabilir ve bu da alet üzerindeki kontrolünüzü kaybetmenize neden olabilir.

2) ELEKTRİKSEL GÜVENLİK

- Aletin bağlantı fişi prize uymalıdır. Fişi hiçbir şekilde değiştirmeyin. Koruyucu topraklamalı aletlerle adaptörlü fiş kullanmayın.** Değiştirilmemiş, orijinal fiş ve uygun prizler elektrik çarpmaya tehlikesini azaltır.
 - Borular, kalorifer tesisatı, ısıtıcılar ve buzdolapları gibi topraklanmış yüzeylerle bedensel temasa geçmekten kaçının.** Eğer bedeniniz topraklanacak olursa yüksek bir elektrik çarpmaya tehlikesi ortaya çıkar.
 - Aleti yağmur ve nemden koruyun.** Elektrikli el aletinin içine suyun sızması elektrik çarpmaya tehlikesini yükseltir.
 - Kabloyu kendi amacı dışında kullanmayın; örneğin aleti kablodan tutarak taşımayın, aleti kablo ile asmayın veya kablodan çekerek fişi prizden çıkarmayın. Kabloyu aşırı sıcaktan, yağlardan, keskin kenarlı cisimlerden veya aletin hareketli parçalarından uzak tutun.** Hasarlı veya dolaşmış kablo elektrik çarpmaya tehlikesini yükseltir.
 - Elektrikli el aletle açık havada çalışırken mutlaka açık havada kullanılmaya uygun uzatma kablosu kullanın.** Açık havada kullanılmaya uygun uzatma kablosunun kullanılması elektrik çarpmaya tehlikesini azaltır.
 - Elektrikli el aletinin nemli ortamlarda çalıştırılması şartsa, mutlaka kaçak akım cihazı (RCD) kullanın.** RCD kullanımını elektrik çarpmaya tehlikesini azaltır.
- ### 3) KİŞİLERİN GÜVENLİĞİ
- Dikkatli olun, ne yaptığınız dikkat edin ve elektrikli el aletle çalışırken makul hareket edin. Yorgunsanız, ilaç kullanıyorsanız veya uyuşturucu madde ya da alkol etkisi altındaysanız aleti kullanmayın.** Aleti kullanırken bir anlık dikkatsizliğiniz ciddi yaralanmalara yol açabilir.
 - Daima kişisel korunma donanımları ve bir koruyucu gözlük kullanın.** Elektrikli el aletinin türü ve kullanımına uygun olarak kullanacağınız toz maskesi, kaymayan sağlam iş ayakkabıları, koruyucu kask veya koruyucu kulaklık gibi kişisel korunma donanımlarını kullanmanız yaralanma tehlikesini büyük ölçüde azaltır.
 - Aleti yanlışlıkla çalıştırmaktan kaçının. Akım ikmal şebekesine ve/veya aküye bağlamadan, elinize alıp taşımadan önce elektrikli el aletinin kapalı durumda olduğundan emin olun.** Elektrikli el aletinin parmağınızın şalter üzerinde dururken taşırsanız ve alet açıkken fişi prize sokarsanız kazalara neden olabilirsiniz.
 - Aleti çalıştırmadan önce ayar aletlerini veya tornavidaları aletten uzaklaştırın.** Dönen alet parçasına temas halinde bulunan bir uç veya anahtar yaralanmalara neden olabilir.
 - Kendinize çok fazla güvenmeyin. Duruşunuzun güvenli olmasına dikkat edin ve daima dengenizi koruyun.** Bu sayede aleti beklenmedik durumlarda daha

iyi kontrol edersiniz.

- f) **Uygun iş elbiseleri giyin. Geniş giysiler giymeyin ve takı takmayın. Saçlarınızı ve giysilerinizi aletin hareketli parçalarından uzak tutun.** Bol giysiler, takılar veya uzun saçlar aletin hareketli parçaları tarafından tutulabilir.
- g) **Aletinize toz emme donanımı ve toz tutma donanımı takılabiliyorsa, bunların bağlı olup olmadığını ve doğru işlev görüp görmediklerini kontrol edin.** Toz emme donanımının kullanımı tozdan kaynaklanabilecek tehlikeleri azaltır.
- h) **Aletleri sık kullanmanız sebebiyle kazandığınız alışkanlıklar, güvenlik prensiplerine uymazını önlememelidir.** Dikkatsiz bir hareket, bir anda ciddi yaralanmalara yol açabilir.
- 4) ELEKTRİKLİ EL ALETLERİYLE DİKKATLİ ÇALIŞMAK VE ALETİ DOĞRU KULLANMAK**
- a) **Aleti aşırı ölçüde zorlamayın. İşinize uygun elektrikli el aletini kullanın.** Uygun elektrikli el aleti ile belirtilen performans alanında daha iyi ve daha güvenli çalışırsınız.
- b) **Açma/kapama şalteri arızalı olan elektrikli el aletini kullanmayın.** Açılıp kapanamayan bir elektrikli el aleti tehlikelidir ve onarılması gerekir.
- c) **Alette bir ayarlama işlemine başlamadan, herhangi bir aksesuarı değiştirirken veya aleti elinizden bırakırken fişi prizden çekin veya aküyü çıkarın.** Bu önlenebilir, elektrikli el aletinin yanlışlıkla çalışmasını önler.
- d) **Kullanım dışında iken elektrikli el aletinizi çocukların ulaşamayacağı bir yerde saklayın. Aleti kullanmayı bilmeyen veya bu güvenlik talimatını okumayan kişilerin aleti kullanmasına izin vermeyin.** Deneyimsiz kişiler tarafından kullanıldıkları takdirde elektrikli el aletleri tehlikeli olabilirler.
- e) **Elektrikli el aletinin ve aksesuarların bakımını özenle yapın. Aletin hareketli parçalarının kusursuz işlev görüp görmediklerini ve sıkışmadıklarını, parçaların kırık veya hasarlı olup olmadıklarını kontrol edin, aksi takdirde alet işlevini tam olarak yerine getiremez. Aleti kullanmadan önce hasarlı parçaları onartın.** Birçok iş kazası aletlerin kötü ve yetersiz bakımından kaynaklanır.
- f) **Kesici uçları keskin ve temiz tutun.** İyi bakım görmüş kesici uçlar daha ender sıkışır ve daha iyi yönlendirilirler.
- g) **Elektrikli el aletlerini, aksesuarı, uçları ve benzerlerini bu güvenlik talimatına uygun olarak kullanın. Aleti kullanırken çalışma koşullarını ve yaptığınız işi daima dikkate alın.** Elektrikli el aletlerini kendileri için öngörülen işlerin dışında kullanmak tehlikeli durumların ortaya çıkmasına neden olabilir.
- h) **Tutamak ve kavrama yüzeylerini kuru, yağsız ve temiz tutun.** Kaygan tutamak ve kavrama yüzeyleri, aletin beklenmeyen durumlarda güvenli şekilde tutulmasını ve kontrol edilmesini engeller.
- 5) AKÜLÜ ALETLERLE DİKKATLİ ÇALIŞMAK VE ALETLERİ DOĞRU KULLANMAK**
- a) **Aküleri sadece üretici tarafından tavsiye edilen şarj cihazlarında şarj edin.** Belirli bir tür akü için geliştirilmiş bir şarj cihazının değişik bir akü için kullanılması yangın tehlikesine yol açar.
- b) **Elektrikli el aletlerinde sadece o alet için öngörülen aküleri kullanın.** Başka akülerin kullanılması yaralanmalara ve yangın tehlikesinin ortaya çıkmasına

neden olabilir.

- c) **Kullanım dışında bulunan aküleri, kontaklar arasında köprüleme yapma olasılığı bulunan büro ataçları, madeni paralar, anahtarlar, çiviler, vidalar veya diğer küçük metal eşya ve cisimlerden uzak tutun.** Akü kontakları arasındaki bir kısma devre yanmalara veya yangın çıkmasına neden olabilir.
- d) **Yanlış kullanım durumunda akünün dışına sıvılar sızabilir. Bu sıvılara temas etmeyin. Yanlışlıkla aküden sıızan sıvılara temas ederseniz, temas yerini hemen su ile yıkayın. Eğer söz konusu sıvı gözünüze kaçacak olursa hemen bir hekime başvurun.** Aküden dışarı sıızan sıvılar cildinizde tahrişlere veya yanmalara neden olabilir.
- e) **Hasarlı veya değiştirilmiş akü veya el aleti kullanmayın.** Hasarlı veya değiştirilmiş aküler beklenmedik davranışlara yol açarak yangın, patlama ve yaralanmalara neden olabilir.
- f) **Akü veya aleti ateşe veya yüksek sıcaklıklara maruz bırakmayın.** Ateşe veya 130°C üstündeki sıcaklıklara maruz kalma patlamalara yol açabilir.
- g) **Tüm şarj talimatlarını uygulayın ve akü ya da aleti talimatlarda belirtilen sıcaklık aralığının dışında şarj etmeyin.** Hatalı şarj veya belirtilen aralık dışındaki sıcaklıklarda şarj aküye zarar vererek yangın riskini yükseltir.
- 6) SERVİS**
- a) **Aleti sadece uzman bir elemana ve orijinal yedek parçalar kullanılarak onartın.** Böylelikle aletin güvenliğini korumuş olursunuz.
- b) **Hasarlı akülerde onarım işlemi yapmayın.** Akülerin onarımı sadece üretici veya yetkili servisler tarafından yapılmalıdır.

ZIMPARALAR İÇİN GÜVENLİK TALİMATI

GENEL

- Bu alet 16 yaşın altındaki kişiler tarafından kullanılmamalıdır
- Bu alet sulu zımparalama işlerine uygun değildir
- **Bu alette asbest içeren malzemeleri işlemeyin** (asbest kanserojen bir madde kabul edilir)
- Herhangi bir ayarlama yapmadan ve aksesuarları değiştirmeden önce bataryayı aletten sökün

AKSESUARLAR

- SKIL sadece orijinal aksesuarlar kullanıldığında aletin düzgün çalışmasını garanti eder
- Aşınmış, yırtılmış veya gözenekleri aşırı ölçüde dolmuş zımpara kağıtlarını kullanmayın

KULLANMADAN ÖNCE

- İş parçasının vida, çivi ve benzeri malzeme tarafından hasar görmemesi için dikkatli olun; çalışmaya başlamadan önce bunları çıkartın
- Cihaz çalışırken gürültü seviyesi 85 dB(A) desibele kadar çıkabilir; kulak koruyucu kullanın
- Kurşun içeren boya, bazı aışar türleri, mineral ve metal gibi malzemelerden çıkan toz zararlı olabilir (tozla temasta bulunulması veya solunması operatörde veya yakında bulunan kişilerde alerjik reaksiyonlara ve/veya solunum yolu hastalıklarına neden olabilir); **toz maskesi takın ve toz ekstraksiyon cihazıyla çalışın (bağlanabiliyorsa)**
- Bazı toz tipleri (örneğin meşe ve kayın ağacı tozu), bilhassa aışar yenileme katkı maddeleriyle birlikte,

karsinojenik olarak sınıflandırılır; **toz maskesi takın ve toz ekstraksiyon cihazı ile çalışın (bağlanabiliyorsa)**

- Çalışmak istediğiniz malzemelerin, toz ile ilgili ulusal taleplerini takip edin
- Korumayı iş eldivenleri giyin, koruyucu gözlük, dar giysiler ve saç koruyucu (saçlarınız uzunsa)
- **Çalıştığınız parçayı sabitleyin** (kıskaçlarla ya da mengeneyle sabitlenmiş bir iş parçası elle tutulan işten daha güvenilirdir)
- Metalleri zımparalarken kıvılcımlar oluşur; toz torbası kullanmayın ve diğer çalışanları ve yanıcı malzemeleri çalışma alanınızdan uzak tutun

KULLANIM SIRASINDA

- Hareket halindeki zımpara kağıdına dokunmayın
- Elektriksel veya mekaniksel hatalı çalışma durumunda aleti hemen kapatın ve bataryayı çıkarın

KULLANIMDAN SONRA

- Aletinizi bırakıp gitmeden önce mutlaka kapatın ve döner parçaların tam olarak durmasını bekleyin

BATARYALAR

- **Ürünle birlikte verilen akü (varsa) kısmen şarj edilmiştir** (bataryanın tam kapasiteyle çalışmasını sağlamak için, elektrikli aletinizi ilk kez kullanmadan önce bataryayı batarya şarj cihazında tamamen şarj edin)
- **Bu aletle sadece aşağıdaki bataryaları ve şarj cihazlarını kullanın**
 - SKIL bataryası: BR1*31****
 - SKIL şarj cihazı: CR1*31****
- Hasarlı bataryaları kullanmayın, yenileyin
- Bataryayı sökmeyin
- Aleti/bataryayı yağmur altında bırakmayın
- İzin verilen ortam sıcaklığı (aleti/şarj cihazını/batarya):
 - şarjda 4...+40°C
 - işletmede -20...+50°C
 - depolamada -20...+50°C

ALET/BATARYA ÜZERİNDE BULUNAN İŞARETLERİN AÇIKLAMASI

- ③ Kullanmadan önce kılavuzu okuyun
- ④ Piller ateşe maruz kaldığında patlar, bu yüzden herhangi bir nedenle pili yakmayın
- ⑤ Aleti, şarj cihazını ve bataryayı daima 0°- 50° arasındaki oda sıcaklığında saklayın
- ⑥ Elektrikli aletlerini ve pilleri evdeki çöp kutusuna atmayın

KULLANIM

- Bataryanın şarjı
! şarj cihazı ile birlikte verilen güvenlik uyarıları ve talimatlarını okuyun
- Bataryanın çıkarılması/takılması ②
- Batarya şarj süre göstergesi ⑦
 - mevcut batarya seviyesini ⑦a göstermek için batarya seviyesi gösterge düğmesine E basın
 - ! düğmeye E ⑦b bastıktan sonra batarya göstergesinin en düşük seviyesi yanıp sönmeye başladığında bataryanın şarjı bitmiş demektir**
 - ! düğmeye E ⑦c bastıktan sonra batarya göstergesinin 2 seviyeleri yanıp sönmeye başladığında batarya, izin verilen çalışma sıcaklığı aralığında değil demektir**
- Pili koruma
Aşağıdaki durumlarda alet aniden kapanır veya tekrar çalıştırılmaz
 - **yük çok yüksek olduğunda** --> yükü kaldırın ve yeniden çalıştırın

- **akü sıcaklık aralığı olan -20 ila +50°C içinde değilse** --> düğmeye E ⑦c bastıktan sonra akü göstergesinin 2 seviyeleri yanıp sönmeye başladığında; bataryanın yeniden izin verilen çalışma sıcaklık aralığına dönmelerini bekleyin
- **batarya bitmeye yakınken (aşırı boşalmaya karşı koruma sağlamak için)** --> düğmeye E basıldığında batarya seviye göstergesi tarafından düşük batarya seviyesi veya yanıp sönen düşük batarya seviyesi ⑦b gösterilir; bataryayı şarj edin
- ! alet otomatik olarak kapandıktan sonra açma/kapama düğmesine basmayın; pil hasar görebilir**
- Zımpara kağıdı tespiti ⑧
 - ! herhangi bir ayarlama yapmadan ve aksesuarları değiştirmeden önce bataryayı aletten sökün**
 - ! toz emdirme için delikli zımpara kağıtlarına ihtiyacınız vardır**
 - ! zımpara kağıdının delikleri zımpara levhasının deliklerine uymalıdır**
 - ! aşınmış zımpara kağıtlarını zamanında yenileyin**
 - ! aletin daima tüm zımparalama yüzeyini zımpara kağıdı ile kaplayarak kullanın**
 - VELCRO zımpara kağıdını gösterilen şekilde takın
- Toz emme
 - ! metalleri zımparalarken toz torbası kullanmayın**
 - Toz torbası ⑨
 - toz torbasını B bağlayın
 - toz torbasının düzenli olarak temizlenmesi toz tutma kapasitesini optimal düzeyde tutar
- Açma/kapama şalteri
 - aleti açık/kapalı konuma C ② şalterini ileriye/geriye getirerek çalıştırabilirsiniz
 - ! aletin zımparalama yüzeyi iş parçasına temas etmeden önce aletin çalıştırılması gerekir**
 - ! aleti kapatmadan önce iş parçası üzerinden kaldırın**
- Aletin tutulması ve kullanılması ⑩
 - ! çalışma esnasında, aleti daima gri renkli bölge(ler) den tutun**
 - aleti, işlediğiniz yüzeye paralel olarak tutun
 - alet üzerinde fazla baskı uygulamayın; bırakın aletin zımparalama yüzeyi sizin için çalışsın
 - aletin yüzeye olan paralellliğini bozmayın, aksi takdirde işlenen yüzeyde istenmeyen zımpara izleri oluşur
 - havalandırma yuvalarını D ② açık tutun

UYGULAMA ÖNERİLERİ

- Geniş yüzeyleri, köşeleri ve kenarları zımparalamak için bu aleti kullanın ⑪
- Aynı zımpara kağıdı ile hiçbir zaman hem tahta, hem de metalleri zımparalamayın
- Önerilen zımpara kağıdı kum kalınlıkları:
 - boya çıkarmak ve son derece pürüzlü odunları zımparalamak için kalın boyda kum (40, 60) kullanın
 - pürüzlü ve düz odunları zımparalamak için orta boy kum (80, 100, 120) kullanın
 - odun ve yüzeyleri eski bir boya ile düzeltmek ve çıplak odunları cilalamak için ince boy kum (180, 240, 320) kullanın
- İşlediğiniz yüzey ham ise çeşitli kum büyüklüğündeki zımpara kağıtları kullanın:
 - başlangıçta iri veya orta kum büyüklüğündeki zımpara kağıtları ile çalışın

- işin sonunda ince kum kalınlığındaki zımpara kağıtları kullanın
- Daha fazla bilgi için www.skil.com adresine bakın

BAKIM / SERVİS

- Aleti ve kablosunu daima temiz tutun (özellikle havalandırma yuvalarını D ②)
- yapışan zımpara tozunu bir fırça ile temizleyin
- temizlemeden önce aletten bataryayı çıkarın
- Dikkatli biçimde yürütülen üretim ve test yöntemlerine rağmen alet arıza yapacak olursa, onarım SKIL elektrikli aletleri için yetkili bir serviste yapılmalıdır
- aleti **ambalajıyla** birlikte satın alma belgenizi de ekleyerek satıcınıza veya en yakın SKIL servisine ulaştırın (adresler ve aletin servis şemaları www.skil.com adresinde listelenmiştir)
- Aşırı yüklenme ve yanlış kullanımın aleti garanti kapsamından çıkaracağını unutmayın (SKIL garanti koşulları için www.skil.com adresine bakın veya satıcınıza başvurun)

ÇEVRE

- **Elektrikli aletlerini, piller, aksesuarları ve ambalajları evdeki çöp kutusuna atmayın** (sadece AB ülkeleri için)
- kullanılmış elektrikli aletleri, elektrik ve elektronik eski cihazlar hakkındaki 2012/19/EC Avrupa yönergelerine göre ve bu yönergeler ulusal hukuk kurallarına göre uyarlanarak, ayrı olarak toplanmalı ve çevre şartlarına uygun bir şekilde tekrar değerlendirmeye gönderilmelidir
- sembol ⑥ size bunu anımsatmalıdır
- ! **bataryayı tasfiye etmeden önce, kaçak akımları önlemek üzere batarya uçlarını ağır bir bantla sarın**

GÜRÜLTÜ / TİTREŞİM

- EN 62841 uyarınca ölçülen bu aletin ses basıncı seviyesi 82 dB(A) ve ses gücü seviyesi 90 dB(A) (tolerans K = 3 dB), titreşimi ise 3,46 m/s² (triaks vektör toplamı; tolerans K = 1,5 m/s²)
- Titreşim emisyon seviyesi EN 62841'de sunulan standart teste göre ölçülmüştür; bu seviye, bir aleti bir başkasıyla karşılaştırmak amacıyla ve aletin söz konusu uygulamalarda kullanılması sırasında titreşime maruz kalma derecesinin ön değerlendirmesi olarak kullanılabilir
- aletin farklı uygulamalar için veya farklı ya da bakımı yetersiz yapılmış aksesuarlarla kullanılması, maruz kalma seviyesini belirgin biçimde **artırabilir**
- aletin kapalı olduğu veya çalıştığı ancak gerçek anlamda iş yapmadığı zamanlarda, maruz kalma seviyesi belirgin biçimde **azalabilir**
- ! **aletin ve aksesuarlarının bakımını yaparak, ellerinizi sıcak tutarak ve iş modellerinizi düzenleyerek kendinizi titreşimin etkilerinden koruyun**

PL

Bezszcotkowa akumulatorowa 3715 szlifierka wielofunkcyjna

WSTĘP

- Niniejsze narzędzie przeznaczone jest do szlifowania na sucho drewna, plastiku, metalu, kitu i powierzchni pomalowanych
- Niniejsze narzędzie nie jest przeznaczone do wygładzania papierem ściernym gipsu
- Przeczytać i zachować niniejszą instrukcję obsługi ③

DANE TECHNICZNE ①

ELEMENTY NARZĘDZIA ②

- A Talerz szlifierski
- B Worek na pył
- C Włacznik/wyłacznik
- D Szczeliny wentylacyjne
- E Wskaźnik poziomu naładowania akumulatora

BEZPIECZEŃSTWO

OGÓLNE OSTRZEŻENIA DOTYCZĄCE BEZPIECZEŃSTWA UŻYTKOWANIA ELEKTRONARZĘDZIA

⚠ OSTRZEŻENIE Należy przeczytać wszystkie ostrzeżenia dotyczące bezpieczeństwa, instrukcje, ilustracje i dane techniczne dostarczone z tym elektronarzędziem. Nieprzestrzeganie wszystkich poniższych instrukcji może skutkować porażeniem prądem, pożarem i/lub poważnym obrażeniem ciała.

Wszystkie ostrzeżenia i wskazówki należy zachować do dalszego zastosowania.

Użyte w poniższym tekście pojęcie "elektronarzędzie" odnosi się do elektronarzędzi zasilanych energią elektryczną z sieci (z przewodem zasilającym) i do elektronarzędzi zasilanych akumulatorami (bez przewodu zasilającego).

1) BEZPIECZEŃSTWO MIEJSCA PRACY

- a) **Miejsce pracy należy utrzymywać w czystości i dobrze oświetlone.** Nieporządek lub nie oświetlone miejsce pracy mogą doprowadzić do wypadków.
- b) **Nie należy pracować tym narzędziem w otoczeniu zagrożonym wybuchem, w którym znajdują się np. łatwopalne ciecze, gazy lub pyły.** Elektronarzędzia wytwarzają iskry, które mogą podpalić ten pył lub parę.
- c) **Elektronarzędzie trzymać podczas pracy z daleka od dzieci i innych osób.** Przy nieuwadze można stracić kontrolę nad narzędziem.

2) BEZPIECZEŃSTWO ELEKTRYCZNE

- a) **Wtyczka urządzenia musi pasować do gniazda. Nie wolno modyfikować wtyczki w jakikolwiek sposób. Nie należy używać wtyczek adapterowych razem z uziemionymi narzędziami.** Niezmienione wtyczki i pasujące gniazda zmniejszają ryzyko porażenia prądem.
- b) **Należy unikać kontaktu z uziemionymi powierzchniami jak rury, grzejniki, piece i lodówki.** Istnieje zwiększone ryzyko porażenia prądem, gdy Państwa ciało jest uziemnione.
- c) **Urządzenie należy przechowywać zabezpieczone przed deszczem i wilgocią.** Wniknięcie wody do elektronarzędzia podwyższa ryzyko porażenia prądem.
- d) **Nigdy nie należy używać kabla do innych czynności.**

- Nigdy nie używać kabla do noszenia urządzenia za kabel, zawieszania lub do wyciągania wtyczki z gniazda. Kabel należy trzymać z daleka od wysokich temperatur, oleju, ostrych krawędzi lub ruchomych części urządzenia. Uszkodzone lub poplątane kable zwiększają ryzyko porażenia prądem.
- e) **W przypadku, kiedy elektronarzędziem pracuje się na świeżym powietrzu należy używać kabla przedłużającego, który dopuszczony jest do używania na zewnątrz.** Użycie dopuszczonego do używania na zewnątrz kabla przedłużającego zmniejsza ryzyko porażenia prądem.
- f) **Jeżeli nie da się uniknąć zastosowania elektronarzędzia w wilgotnym otoczeniu, należy użyć wyłącznika ochronnego różnicowo-prądowego.** Zastosowanie wyłącznika ochronnego różnicowo-prądowego zmniejsza ryzyko porażenia prądem.
- 3) BEZPIECZENSTWO OSÓB**
- a) **Należy być uważnym, uważać na to co się robi i pracę elektronarzędziem rozpoczynać z rozsądkiem. Nie należy używać urządzenia gdy jest się zmęczonym lub pod wpływem narkotyków, alkoholu lub lekarstw.** Moment nieuwagi przy użyciu urządzenia może doprowadzić do poważnych urażeń ciała.
- b) **Należy nosić osobiste wyposażenie ochronne i zawsze okulary ochronne.** Noszenie osobistego wyposażenia ochronnego jak maska przeciwpyłowa, nie ślizgające się buty robocze, hełm ochronny lub ochrona słuchu, w zależności od rodzaju i zastosowania elektronarzędzia zmniejsza ryzyko obrażeń ciała.
- c) **Należy unikać niezamierzonego uruchomienia narzędzia. Przed włożeniem wtyczki do gniazdko i/ lub podłączeniem do akumulatora, a także przed podniesieniem lub przeniesieniem elektronarzędzia, należy upewnić się, że elektronarzędzie jest wyłączone.** Trzymanie palca na wyłączniku podczas przenoszenia elektronarzędzia lub podłączenie do prądu włączonego narzędzia, może stać się przyczyną wypadków.
- d) **Zanim urządzenie zostanie włączone należy usunąć narzędzia nastawcze lub klucze.** Narzędzie lub klucz, które znajdują się w ruchomych częściach urządzenia mogą doprowadzić do obrażeń ciała.
- e) **Nie należy przeceniać swoich możliwości. Należy dbać o bezpieczną pozycję pracy i zawsze utrzymywać równowagę.** Przez to możliwa jest lepsza kontrola urządzenia w nieprzewidywanych sytuacjach.
- f) **Należy nosić odpowiednie ubranie. Nie należy nosić luźnego ubrania lub biżuterii. Włosy i ubranie należy trzymać z daleka od ruchomych elementów.** Luźne ubranie, biżuteria lub długie włosy mogą zostać pociągnięte przez poruszające się części.
- g) **W przypadku, kiedy możliwe jest zamontowanie urządzeń odsysających lub podchwytyjących należy upewnić się, czy są one właściwie podłączone i prawidłowo użyte.** Użycie urządzenia odsysającego pył może zmniejszyć zagrożenie pyłami.
- h) **Nie wolno pozwolić, aby rutyna nabyta w wyniku wielokrotnego użycia elektronarzędzia, zastąpiła ścisłe przestrzeganie zasad bezpieczeństwa.** Niedbale obsługiwane elektronarzędzie może w ułamku sekundy wyrządzić istotne szkody lub spowodować ciężkie obrażenia.
- 4) UWAŻNE OBCOWANIE ORAZ UŻYCIE ELEKTRONARZĘDZIA**
- a) **Nie należy przeciążać urządzenia. Do pracy używać należy elektronarzędzia, które jest do tego przewidziane.** Odpowiednim narzędziem pracuje się lepiej i bezpieczniej w podanym zakresie prędkości.
- b) **Nie należy używać elektronarzędzia, którego włącznik/wyłącznik jest uszkodzony.** Elektronarzędzie, którego nie można włączyć lub wyłączyć jest niebezpieczne i musi zostać naprawione.
- c) **Przed rozpoczęciem jakichkolwiek prac nastawczych, przed wymianą osprzętu lub przed odłożeniem elektronarzędzia należy wyjąć wtyczkę z gniazda sieciowego i/lub usunąć akumulator.** Ten środek ostrożności zapobiega niezamierzonemu włączeniu się urządzenia.
- d) **Nie używane elektronarzędzia należy przechowywać poza zasięgiem dzieci. Nie należy udostępniać narzędzia osobom, które jego nie umieją lub nie przeczytały tych przepisów.** Używane przez niedoświadczone osoby elektronarzędzia są niebezpieczne.
- e) **Elektronarzędzia i osprzęt należy utrzymywać w nienagannym stanie technicznym. Należy kontrolować, czy ruchome części urządzenia funkcjonują bez zarzutu i nie są zablokowane, czy części nie są pęknięte lub uszkodzone, co mogłoby mieć wpływ na prawidłowe funkcjonowanie urządzenia. Uszkodzone narzędzie należy przed użyciem urządzenia oddać do naprawy.** Wiele wypadków spowodowanych jest przez niewłaściwą konserwację elektronarzędzi.
- f) **Osprzęt tnący należy utrzymywać ostry i czysty.** Starannie pielęgnowany osprzęt tnący z ostrymi krawędziami tnącymi blokuje się rzadziej i łatwiej się używa.
- g) **Elektronarzędzia, osprzęt, narzędzia itd. należy używać odpowiednio do tych przepisów. Uwzględnić należy przy tym warunki pracy i czynność do wykonania.** Użycie elektronarzędzi do innych niż przewidziane prace może doprowadzić do niebezpiecznych sytuacji.
- h) **Uchwyty i powierzchnie chwytowe powinny być zawsze suche, czyste, niezabrudzone olejem ani smarem.** Śliskie uchwyty i powierzchnie chwytowe nie pozwalają na bezpieczne trzymanie narzędzia i kontrolę nad nim w nieoczekiwanych sytuacjach.
- 5) UWAŻNE OBCOWANIE I UŻYWANIE NARZĘDZI ZASILANYCH AKUMULATORAMI**
- a) **Akumulatory należy ładować tylko w ładowarkach, które polecił producent.** W ładowarce, która nadaje się do ładowania określonych akumulatorów istnieje niebezpieczeństwo pożaru, gdy użyte zostaną inne akumulatory.
- b) **Do elektronarzędzi należy używać jedynie przewidzianych do tego akumulatorów.** Użycie innych akumulatorów może doprowadzić do obrażeń ciała i niebezpieczeństwa pożaru.
- c) **Nie używany akumulator należy trzymać z daleka od spinaczy, monet, kluczy, gwoździ, śrub lub innych małych przedmiotów metalowych, które mogłyby spowodować zwarcie kontaktów.** Zwarcie pomiędzy kontaktami akumulatora może spowodować oparzenia

lub pożar.

- d) **Przy niewłaściwym użyciu możliwe jest wydostanie się cieczy z akumulatora. Należy unikać kontaktu z nią. Przy przypadkowym kontakcie spłukać wodą. W przypadku, że ciecz dostała się do oczu należy dodatkowo skonsultować się z lekarzem.** Ciecz akumulatorowa może doprowadzić do podrażnienia skóry lub oparzeń.
- e) **Nie wolno użytkować uszkodzonych ani modyfikowanych akumulatorów i elektronarzędzi.** Uszkodzone lub przerabiane akumulatory mogą się nieprzewidzianie zachować, powodując niebezpieczne dla zdrowia skutki (zapłon, eksplozja, obrażenia ciała).
- f) **Akumulator należy trzymać z dala od ognia oraz chronić przed ekstremalnymi temperaturami.** Wskutek działania ognia lub temperatury przekraczającej 130°C akumulator może eksplodować.
- g) **Należy stosować się do wszystkich wskazówek dotyczących ładowania. Nie wolno ładować akumulatora lub elektronarzędzia w temperaturze znajdującej się poza zakresem sprecyzowanym w niniejszej instrukcji.** Niezgodne z instrukcją ładowanie lub ładowanie w temperaturze nie mieszczącej się w zalecanym zakresie może spowodować uszkodzenie akumulatora oraz zwiększa ryzyko pożaru.
- 6) SERWIS**
- a) **Naprawę urządzenia należy zlecić jedynie kwalifikowanemu fachowcowi i przy użyciu oryginalnych części zamiennych.** To gwarantuje, że bezpieczeństwo użytkowania zostanie zachowane.
- b) **Nie wolno w żadnym wypadku naprawiać uszkodzonego akumulatora.** Naprawy akumulatora można dokonywać wyłącznie u producenta lub w autoryzowanym punkcie serwisowym.

PRZEPISY BEZPIECZEŃSTWA SZLIFIEREK

OGÓLNE

- Narzędzie nie powinny używać dzieci poniżej 16 roku życia
- Elektronarzędzie nie jest przystosowane do szlifowania na mokro
- Nie należy obrabiać materiału zawierającego azbest** (azbest jest rakotwórczy)
- Przed dokonaniem jakiegokolwiek regulacji lub zmiany akcesoriów wyjąć z narzędzia akumulatora

AKCESORIA

- SKIL może zagwarantować bezawaryjne działanie narzędzia tylko przy korzystaniu z oryginalnego wyposażenia dodatkowego
- Nie należy korzystać ze zużytychł podanych albo mocno zapchanych papierów ściernych

PRZED UŻYCIEM

- Uwaga na gwoździe, śruby i inne twarde przedmioty; przed przystąpieniem do obróbki powinny być usunięte z obrabianego przedmiotu; usunąć je przed rozpoczęciem pracy
- Poziom hałasu podczas pracy może przekraczać 85 dB(A); używać nasuszniki do ochrony słuchu
- Pył pochodzący z takich materiałów, jak farby zawierające ołów, niektóre gatunki drzewa, minerały i metal może być szkodliwy (kontakt z nim lub wdychanie takiego pyłu może powodować reakcje alergiczne i/lub niewydolność oddechową u operatora

lub osób towarzyszących); **należy zakładać maskę przeciwpyłową i pracować z urządzeniem odsysającym, jeżeli można je podłączyć**

- Niektóre rodzaje pyłu są zaklasyfikowane jako rakotwórcze (takie, jak pył dębu i buka) szczególnie w połączeniu z dodatkami do kondycjonowania drewna; **należy zakładać maskę przeciwpyłową i pracować z urządzeniem odsysającym pył, jeżeli można je podłączyć**
- Należy stosować się do lokalnych wymogów dotyczących pracy w otoczeniu pyłu powstającego podczas obróbki materiału
- Do pracy należy nosić rękawice ochronne, okulary ochronne, dopasowane ubranie, oraz nakrycie głowy (w przypadku długich włosów)
- Należy zabezpieczyć miejsce przeznaczone do zszycia** (miejsce przeznaczone do zszycia umieszczone w zaciskach lub imadle jest utrzymywane w miejscu bezpieczniej niż w ręku)
- Przy szlifowaniu metalu występuje iskrzenie; nie wolno wtedy odpylnika a z obszaru pracy należy usunąć wszelkie materiały palne i zabronić tam wstępu osobom trzecim

PODZAS UŻYWANIA

- Nie wolno dotykać poruszającego się papieru ściernego
- W przypadku nieprawidłowego działania mechanicznych lub elektrycznych elementów urządzenia, należy bezwzględnie wyłączyć narzędzie i wyjąć akumulator

PO UŻYCIU

- Przed pozostawieniem elektronarzędzia należy odłączyć zasilanie elektryczne i odczekać do całkowitego zatrzymania się wrzeciona

AKUMULATORY

- Dostarczony akumulator, o ile występuje, jest częściowo naładowany** (aby zapewnić pełne naładowanie akumulatora, przed użyciem elektronarzędzia po raz pierwszy akumulator należy całkowicie naładować ładowarką)
- Do narzędzia należy stosować wyłącznie poniższe akumulatory i ładowarki**
 - Akumulator SKIL: BR1*31****
 - Ładowarka SKIL: CR1*31****
- Uszkodzony akumulator należy wymienić; nie należy używać go do pracy
- Nie rozbierać akumulatora
- Elektronarzędzia/akumulatora nie należy narażać na działanie opadów atmosferycznych
- Dopuszczalna temperatura otoczenia (narzędzie/ ładowarka/akumulator):
 - podczas ładowania 4...40°C
 - podczas pracy -20...+50°C
 - podczas przechowywania -20...+50°C

OBJAŚNIENIE SYMBOLI NA NARZĘDZIU/ AKUMULATORZE

- Przed użyciem przeczytaj instrukcję obsługi
- Akumulatory w kontakcie z ogniem mogą eksplodować, więc nie wolno ich pod żadnym pozorem spalać
- Narzędzie/ładowarka/akumulator powinny być zawsze przechowywane w pomieszczeniu o temperaturze poniżej 50°C
- Nie wyrzucaj elektronarzędzi i baterie wraz z odpadami z gospodarstwa domowego

UŻYTKOWANIE

- Ładowanie akumulatora

! przeczytać wszystkie ostrzeżenia dotyczące bezpieczeństwa oraz instrukcje dostarczone z ładowarką

- Usuwanie/montaż baterii ②
- Wskaźnik akumulatora ⑦
 - nacisnąć przycisk wskaźnika poziomu energii akumulatora E, aby wyświetlić bieżący poziom energii akumulatora ⑦a
- ! jeśli po naciśnięciu przycisku wskaźnik miga, wskazując najniższy poziom E ⑦b, akumulator jest wyczerpany**
- ! jeśli po naciśnięciu przycisku na wskaźniku migają 2 paski poziomu, E ⑦c, został przekroczony dopuszczalny limit temperatury roboczej akumulatora**
- System ochrony baterii
Urządzenie nagle wyłącza się lub nie można go włączyć, gdy
 - **obciążenie jest zbyt duże** --> usunąć obciążenie i uruchomić ponownie
 - **temperatura akumulatora jest poza dopuszczalnym zakresem wynoszącym od -20 do 50°C** --> 2 paski poziomu energii akumulatora na wskaźniku zaczną migać po naciśnięciu przycisku E ⑦c; poczekać, aż temperatura akumulatora powróci do dopuszczalnego zakresu
 - **akumulator jest prawie całkowicie wyczerpany (zabezpieczenie przed głębokim rozładowaniem)** --> naciśnięcie przycisku E powoduje wyświetlenie na wskaźniku niskiego poziomu akumulatora lub miganie paska niskiego poziomu akumulatora ⑦b; naładować akumulator
- ! po automatycznym wyłączeniu narzędzia nie naciskaj przycisku "on/off", ponieważ może to spowodować uszkodzenie akumulatora**
- Mocowanie papieru ściernego ③
 - ! przed dokonaniem jakiegokolwiek regulacji lub zmiany akcesoriów wyjąć z narzędzia akumulatora**
 - ! w przypadku wykorzystywania odsysania mocowane papiery ścierne powinny posiadać otwory**
 - ! rozmieszczenie otworów w papierze powinno być zgodne z położeniem odpowiednich otworów w płycie szlifierskiej elektronarzędzia**
 - ! zużyte papiery ścierne natychmiast wymienić**
 - ! podczas korzystania z elektronarzędzia całą jego powierzchnia szlifierską musi być pokryta papierem ściernym**
 - założyć papier ścierny VELCRO ("narzępę"), jak pokazano
- Odsysanie pyłu
 - ! nie używać worka na pył przy szlifowaniu metalu**
 - Worek na pył ⑨
 - zamocować worek na pył B
 - w celu zapewnienia optymalnego odpylania należy regularnie opróżniać worka na pył
- Włącznik/wyłącznik
 - uruchomić elektronarzędzie przesuwając włącznik/wyłącznik C ② do przodu/do tyłu
 - ! przed przystawieniem taśmy ściernej do powierzchni obrabianego przedmiotu należy uprzednio uruchomić elektronarzędzie**
 - ! przed wyłączeniem narzędzia należy unieść je**

ponad obrabiany przedmiot

- Utrzymywanie i prowadzenie narzędzia ⑩
 - ! podczas pracy zawsze trzymać narzędzie za uchwyt(y) ograniczone szarym kolorem**
 - elektronarzędzie prowadzić równoległe do powierzchni obrabianego przedmiotu
 - nie wywierać zbyt dużego nacisku na elektronarzędzie;
 - pozwólmy maszynie pracować za nas
 - nie należy przechylać elektronarzędzia dzięki czerni unikniemy wyszlifowywania niepożądanych zagłębień
 - szczeliny wentylacyjne D ② powinny być odkryte

WSKAZÓWKI UŻYTKOWANIA

- Narzędzia używać do szlifowania większych powierzchni, narożników i krawędzi ⑩
- Nie należy nigdy korzystać z tego samego papieru do szlifowania drewna i metalu
- Zalecane granulacje papierów:
 - do usuwania farb i szlifowania skrajnie nieobrobionych drewnianych powierzchni surowych należy stosować grube granulacje (40, 60)
 - do szlifowania nieobrobionych powierzchni drewnianych należy stosować średnie granulacje (80, 100, 120)
 - do wygładzania powierzchni drewnianych oraz pokrytych starą powłoką malarską, a także do oszlifowywania drewna nieobrobionego należy stosować drobne granulacje (180, 240, 320)
- W przypadku obróbki powierzchni surowej należy stosować różne granulacje papierów:
 - należy rozpoczynać od granulacji grubej lub średniej
 - zakończyć obróbkę stosując papiery o granulacji drobnej
- Więcej informacji można znaleźć pod adresem www.skil.com

KONSERWACJA / SERWIS

- Zawsze dbać o czystość narzędzia i przewodu zasilającego (a szczególnie otworów wentylacyjnych D ②)
 - usunąć nagromadzony pył posugując się szczotką
 - przed rozpoczęciem czyszczenia wyjąć akumulator z narzędzia
- Jeśli narzędzie, mimo dokładnej i wszechstronnej kontroli produkcyjnej ulegnie kiedykolwiek awarii, naprawę powinien przeprowadzić autoryzowany serwis elektronarzędzi firmy SKIL
 - odesłać **nierozebrany** narzędzie, wraz z dowodem zakupu, do dealera lub do najbliższego punktu usługowego SKIL (adresy oraz diagram serwisowy narzędzenia znajdują się na stronach www.skil.com)
- Prosimy pamiętać, że uszkodzenia spowodowane przeciążeniem lub niewłaściwym użytkowaniem narzędzia nie podlegają gwarancji (warunki gwarancji SKIL znajdują się na www.skil.com lub pytać swojego dealera)

ŚRODOWISKO

- **Nie wyrzucaj elektronarzędzi, baterie, akcesoriów i opakowania wraz z odpadami z gospodarstwa domowego** (dotyczy tylko państw UE)
 - zgodnie z Europejską Dyrektywą 2012/19/WE w

справле zużytego sprzętu elektrotechnicznego i elektronicznego oraz dostosowaniem jej do prawa krajowego, zużyte elektronarzędzia należy posegregować i zutylizować w sposób przyjazny dla środowiska

- в przypadku potrzeby pozbycia się narzędzia, akcesoriów i opakowania - symbol ⓘ przypomni Ci o tym

! przed oddaniem akumulatora do punktu odbioru surowców wtórnych zabezpieczyć taśmą jego styki w celu uniknięcia powstawania prądów pełzających

HAŁASU / WIBRACJE

- Poziom ciśnienia akustycznego mierzonego zgodnie z normą EN 62841 wynosi 82 dB(A), a poziom mocy akustycznej wynosi 90 dB(A) (odchylenie K = 3 dB) 3,46 m/s² (trójosiowa suma wektorowa; odchylenie K = 1,5 m/s²)
- Poziom emisji wibracji został zmierzony zgodnie z testem standaryzowanym podanym w EN 62841; może służyć do porównania jednego narzędzia z innym i jako ocena wstępna narażenia na wibracje w trakcie używania narzędzia do wymienionych zadań
 - używanie narzędzia do innych zadań, lub z innymi albo źle utrzymanymi akcesoriami, może znacząco **zwiększyć** poziom narażenia
 - przypadki, kiedy narzędzie jest wyłączone lub jest czynne, ale aktualnie nie wykonuje zadania, mogą znacząco **zmniejszyć** poziom narażenia

! należy chronić się przed skutkami wibracji przez konserwację narzędzia i jego akcesoriów, zakładanie rękawic i właściwą organizację pracy

RU

Бесщеточная аккумуляторная 3715 многофункциональная машина

В состав эксплуатационных документов, предусмотренных изготовителем для продукции, могут входить настоящее руководство по эксплуатации, а также приложения.

Информация о подтверждении соответствия содержится в приложении.

Срок службы изделия

Срок службы изделия составляет 7 лет. Не рекомендуется к эксплуатации по истечении 5 лет хранения с даты изготовления без предварительной проверки (дату изготовления см. на этикетке).

Перечень критических отказов и ошибочные действия персонала или пользователя

- не использовать с поврежденной рукояткой или поврежденным защитным кожухом
- не использовать при появлении дыма непосредственно из корпуса изделия
- не использовать с перебитым или оголенным электрическим кабелем
- не использовать на открытом пространстве во время дождя (в распыляемой воде)

- не включать при попадании воды в корпус
- не использовать при сильном искрении
- не использовать при появлении сильной вибрации

Критерии предельных состояний

- перетёрт или повреждён электрический кабель
- повреждён корпус изделия

Тип и периодичность технического обслуживания

Рекомендуется очистить инструмент от пыли после каждого использования.

Хранение

- необходимо хранить в сухом месте
- необходимо хранить вдали от источников повышенных температур и воздействия солнечных лучей
- при хранении необходимо избегать резкого перепада температур
- хранение без упаковки не допускается
- подробные требования к условиям хранения смотрите в ГОСТ 15150 (Условие 1)

Транспортировка

- категорически не допускается падение и любые механические воздействия на упаковку при транспортировке
- при разгрузке/погрузке не допускается использование любого вида техники, работающей по принципу зажима упаковки
- подробные требования к условиям транспортировки смотрите в ГОСТ 15150 (Условие 5)

ВНИМАНИЕ!

В случае возникновения перебоя в работе электроинструмента вследствие полного или частичного прекращения энергоснабжения или повреждения цепи управления энергоснабжением установите выключатель в положение Выкл., убедившись, что он не заблокирован (при его наличии) и отключите сетевую вилку от розетки или отсоедините съёмный аккумулятор (этим предотвращается неконтролируемый повторный запуск)

ВВЕДЕНИЕ

- Этот инструмент предназначен для сухой шлифовки обработки древесины, пластмасс, металлов, шпаклевки и окрашенных поверхностей
- Этот инструмент не предназначен для шлифовки гипса
- Прочитайте и сохраните с данной инструкцией ③

ТЕХНИЧЕСКИЕ ДАННЫЕ ①

СТРАНА ИЗГОТОВЛЕНИЯ

Сделано в Китае

ДЕТАЛИ ИНСТРУМЕНТА ②

- A** Опорная колодка
- B** Пылесборный мешок
- C** Выключатель вкл/выкл
- D** Вентиляционные отверстия
- E** Индикатор уровня заряда

БЕЗОПАСНОСТЬ

ОБЩИЕ УКАЗАНИЯ ПО ТЕХНИКЕ БЕЗОПАСНОСТИ ОБ- РАЩЕНИЯ С ЭЛЕКТРОИНСТРУМЕНТАМИ

⚠ ВНИМАНИЕ! Следует ознакомиться со всеми правилами техники безопасности, инструкциями, иллюстрациями и техническими данными, содержащимися в прилагаемых к этому электроинструменту материалах. Несоблюдение нижеперечисленных инструкций в полном объеме может повлечь поражение электрическим током, пожар и/или серьезную травму.

Сохраняйте эти инструкции и указания для будущего использования.

Использованное в настоящих инструкциях и указаниях понятие "электроинструмент" распространяется на электроинструмент с питанием от сети (с кабелем питания от электросети) и на аккумуляторный электроинструмент (без кабеля питания от электросети).

1) БЕЗОПАСНОСТЬ РАБОЧЕГО МЕСТА

a) **Соблюдайте чистоту и поддерживайте надлежащую освещенность на рабочем месте.** Беспорядок на рабочем месте или его плохое освещение могут привести к несчастным случаям.

b) **Не используйте с электроинструментом во взрывоопасной среде, т.е. в непосредственной близости от легковоспламеняющихся жидкостей, газов или пыли.** В процессе работы электроинструмент искрит и искры могут воспламенить газы или пыль.

c) **При работе с электроинструментом не допускайте детей или посторонних на Ваше рабочее место.** Отвлечение Вашего внимания может привести к потере контроля над работой электроинструмента.

2) ЭЛЕКТРИЧЕСКАЯ БЕЗОПАСНОСТЬ

a) **Штепсельная вилка кабеля питания электроинструмента должна соответствовать розетке электросети. Не вносите никаких изменений в конструкцию вилки. Не используйте адапторы для электроинструмента с защитным заземлением.** Заводские штепсельные вилки и соответствующие им сетевые розетки существенно снижают вероятность электрошока.

b) **Избегайте механических контактов с такими заземленными поверхностями, как трубопроводы, системы отопления, плиты и холодильники.** При соприкосновении человека с заземленными предметами во время работы инструментом вероятность электрошока существенно возрастает.

c) **Оберегайте электроинструмент от воздействия дождя и влаги.** Попадание воды в электроинструмент повышает вероятность электрического удара.

d) **Используйте кабель строго по назначению. Не допускается тянуть и передвигать электроинструмент за кабель или использовать**

кабель для вытягивания вилки из розетки. **Оберегайте кабель инструмента от воздействия высоких температур, масла, острых кромок или движущихся частей электроинструмента.** Поврежденный или спутанный кабель повышает возможность электрического удара.

- e) **При работе на улице используйте удлинитель, предназначенный для работы вне помещения.** Использование такого удлинителя снижает вероятность электрического удара.
- f) **Если невозможно избежать применения электроинструмента в сыром помещении, то устанавливайте устройство защиты от утечки в землю.** Использование устройства защиты от утечки в землю снижает риск электрического поражения.

3) ЛИЧНАЯ БЕЗОПАСНОСТЬ

a) **Будьте внимательны, следите за тем, что Вы делаете и выполняйте работу обдуманно. Не пользуйтесь электроинструментом, если Вы устали или находитесь под воздействием транквилизаторов, алкоголя или медицинских препаратов.** Секундная потеря концентрации в работе с электроинструментом может привести к серьезным травмам.

b) **Используйте средства индивидуальной защиты. Защитные очки обязательны.** Средства индивидуальной защиты, такие как противопылевой респиратор, нескользящая защитная обувь, шлем-каска, средства защиты органов слуха применяются в соответствующих условиях работы обстоятельствах и минимизируют возможность получения травм.

c) **Предотвращайте непреднамеренное включение электроинструмента. Перед подключением электроинструмента к электропитанию и/или к аккумулятору убедитесь в выключенном состоянии электроинструмента.** Если Вы при транспортировке электроинструмента держите палец на выключателе или включенный электроинструмент подключаете к сети питания, то это может привести к несчастному случаю.

d) **Во избежание травм перед включением электроинструмента удалите регулировочный или гаечный ключ из вращающейся части электроинструмента.**

e) **Не переоценивайте свои возможности. Твердо стойте на ногах и удерживайте равновесие.** В таком положении вы сможете лучше контролировать электроинструмент в неожиданных ситуациях.

f) **Используйте подходящую рабочую одежду. Не надевайте свободную одежду и украшения. Держите волосы и одежду вдали от движущихся частей.** Свободная одежда, украшения или длинные волосы легко могут попасть в движущиеся части электроинструмента.

g) **При наличии пылеотсасывающих и пылесборных приспособлений убедитесь в том, что они подсоединены и используются надлежащим образом.** Применение пылеотсоса может снизить опасности, создаваемые пылью.

h) **Хорошее знание электроинструментов, полученное в результате частого их использования, не должно приводить к самоуверенности и игнорированию**

техники безопасности обращения с электроинструментами. Одно небрежное действие за долю секунды может привести к серьезным травмам.

4) ЭКСПЛУАТАЦИЯ И УХОД ЗА ЭЛЕКТРОИНСТРУМЕНТОМ

- a) **Не перегружайте электроинструмент.** Используйте тот электроинструмент, который предназначен для данной работы. С подходящим электроинструментом Вы выполните работу лучше и надежней, используя весь диапазон его возможностей.
 - b) **Не используйте электроинструмент с неисправным выключателем.** Инструмент с неисправным выключателем опасен и подлежит ремонту.
 - c) **До начала наладки электроинструмента, замены принадлежностей или прекращения работы отключайте штепсельную вилку от розетки сети и/или выньте, если это возможно, аккумулятор.** Данная мера предосторожности предотвращает случайное включение электроинструмента.
 - d) **Храните неиспользуемый электроинструмент в недоступном для детей месте и не позволяйте использовать его лицам, не умеющим с ним обращаться или не ознакомленным с инструкцией по эксплуатации.** Электроинструменты представляют собой опасность в руках неопытных пользователей.
 - e) **Тщательно ухаживайте за электроинструментом и принадлежностями.** Проверяйте безупречность функции подвижных частей, лёгкость их хода, целостность всех частей и отсутствие повреждений, которые могут негативно сказаться на работе инструмента. При обнаружении повреждений сдайте инструмент в ремонт. Большое число несчастных случаев связано с неудовлетворительным уходом за электроинструментом.
 - f) **Резущие части инструмента необходимо поддерживать в заточенном и чистом состоянии.** При надлежащем уходе за режущими принадлежностями с острыми кромками они реже заклиниваются и инструмент лучше поддается контролю.
 - g) **Используйте электроинструмент, принадлежности, биты и т.д. в соответствии с данными инструкциями, исходя из особенностей условий и характера выполняемой работы.** Использование электроинструмента не по назначению может привести к опасным последствиям.
 - h) **Держите ручки и поверхности захвата сухими и чистыми, следите чтобы на них чтобы на них не было жидкой или неконсистентной смазки.** Скользкие ручки и поверхности захвата препятствуют безопасному обращению с инструментом и не дают надежно контролировать его в непредвиденных ситуациях.
- #### 5) ЭКСПЛУАТАЦИЯ И УХОД ЗА АККУМУЛЯТОРНЫМ ЭЛЕКТРОИНСТРУМЕНТОМ
- a) **Зарядка аккумуляторной батареи производится только на тех зарядных устройствах, которые**

рекомендованы изготовителем. Использование нерегламентированных зарядных устройств для зарядки аккумуляторной батареи может привести к возгоранию.

- b) **В электроинструменте надлежит использовать только те аккумуляторные батареи, которые предусмотрены для данного инструмента.** Использование других аккумуляторных батарей может привести к травмам и возникновению пожарной опасности.
 - c) **Не оставляйте аккумуляторную батарею рядом с металлическими предметами – канцелярскими скрепками, монетами, ключами, гвоздями, винтами и другими металлическими предметами, которые могут замкнуть контакты.** Короткое замыкание контактов аккумуляторной батареи может привести к травмам или пожару.
 - d) **В случаях ненадлежащего обращения с аккумуляторной батареей из нее может вытечь жидкость. Избегайте контакта с ней. При случайном попадании жидкости на кожу – промойте водой. При попадании жидкости в глаза, обратитесь также за помощью к врачу.** Вытекшая аккумуляторная жидкость может привести к раздражению кожи или ожогам.
 - e) **Не используйте поврежденные или измененные аккумуляторы или инструменты.** Поврежденные или измененные аккумуляторы могут повести себя непредсказуемо, что может привести к возгоранию, взрыву или риску получения травмы.
 - f) **Не кладите аккумулятор или инструмент в огонь и не подвергайте их воздействию высоких температур.** Огонь или температура выше 130°C могут привести к взрыву.
 - g) **Выполняйте все инструкции по зарядке и не заряжайте аккумулятор или инструмент при температуре, выходящей за указанный в инструкции диапазон.** Неправильная зарядка или зарядка при температурах, выходящих за указанный диапазон, могут повредить батарею и повысить риск возгорания.
- #### 6) СЕРВИСНОЕ ОБСЛУЖИВАНИЕ
- a) **Передавайте электроинструмент на сервисное обслуживание только квалифицированному персоналу, использующему только подлинные запасные части.** Это обеспечит сохранение безопасности электроинструмента.
 - b) **Никогда не обслуживайте поврежденные аккумуляторы.** Обслуживать аккумуляторы разрешается только производителю или авторизованной сервисной организации.

УКАЗАНИЯ ПО БЕЗОПАСНОСТИ ДЛЯ ШЛИФОВАЛЬНЫХ МАШИН

ОБЩЕЕ

- Инструмент нельзя использовать лицам в возрасте до 16 лет
- Данный инструмент не подходит для шлифования влажных поверхностей
- **Не обрабатывайте материалы с содержанием асбеста** (асбест считается канцерогеном)
- Выньте аккумулятор из инструмента перед тем, как

производить какое-либо регулирование в замену частей или

ПРИНАДЛЕЖНОСТИ

- SKIL обеспечивает надёжную работу инструмента только при использовании соответствующих приспособлений
- Не следует использовать изношенную, порванную или сильно загрязнённую шлифовальную листы

ПЕРЕД ИСПОЛЬЗОВАНИЕМ

- Избегайте повреждений, которые могут быть вызваны винтами, гвоздями и прочими элементами, находящимися в обрабатываемом предмете; перед началом работы их нужно удалить
- Поскольку уровень шума при работе данного инструмента может превышать 80 dB(A); всегда используйте защиту для ушей
- Пыль от таких материалов, как свинцовосодержащая краска, некоторые породы дерева, минералы и металл, может быть вредна (контакт с такой пылью или ее вдыхание может стать причиной возникновения у оператора или находящихся рядом лиц аллергических реакций и/или респираторных заболеваний); **надевайте респиратор и работайте с пылеудаляющим устройством при включении инструмента**
- Некоторые виды пыли классифицируются как канцерогенные (например, дубовая или буковая пыль), особенно в сочетании с добавками для кондиционирования древесины; **надевайте респиратор и работайте с пылеудаляющим устройством при включении инструмента**
- Следуйте принятым в вашей стране требованиям/ нормативам относительно пыли для тех материалов, с которыми вы собираетесь работать
- Необходимо носить защитные перчатки, защитные очки, плотно прилегающую одежду и защиту для волос (для длинных волос)
- **Закрепите обрабатываемую деталь** (обрабатываемая деталь, зафиксированная посредством зажимных устройств или тисков, закрепляется лучше, нежели при помощи рук)
- При обработке металлической поверхности наблюдается искрение; не следует использовать пылеприёмник, а также нельзя приёмник допускать в рабочую зону посторонних людей и воспламеняемые материалы

ВО ВРЕМЯ ИСПОЛЬЗОВАНИЯ

- Не следует прикасаться к движущейся шлифовальной листе
- В случае любой электрической или механической неисправности немедленно выключите инструмент и выньте аккумулятор

ПОСЛЕ ИСПОЛЬЗОВАНИЯ

- Перед тем как положить инструмент, выключите двигатель и убедитесь в том, что все движущиеся детали полностью остановились

АККУМУЛЯТОРЫ

- **Аккумулятор (при наличии) поставляется частично заряженным.** (чтобы воспользоваться полной емкостью аккумулятора, полностью зарядите аккумулятор в зарядном устройстве перед первым использованием электроинструмента)
- **При эксплуатации инструмента следует пользоваться только следующими аккумуляторами и зарядными устройствами**
 - Аккумулятор SKIL: BR1*31****

- Зарядное устройство SKIL: CR1*31****
- Запрещается пользоваться поврежденным аккумулятором; его необходимо заменить
- Запрещается разбирать аккумулятор
- Не оставляйте инструмент / аккумулятор под дождем
- Допустимая температура окружающей среды (инструмент/зарядное устройство/аккумулятор):
 - при зарядке 4...40°C
 - при эксплуатации -20...+50°C
 - при хранении -20...+50°C

ПОЯСНЕНИЯ К УСЛОВНЫМ ОБОЗНАЧЕНИЯМ НА ИНСТРУМЕНТЕ/АККУМУЛЯТОРНОЙ БАТАРЕЕ

- ③ Перед использованием ознакомьтесь с руководством по эксплуатации
- ④ При попадании в огонь батареи взрываются, поэтому ни в коем случае не сжигайте батареи
- ⑤ В зоне хранения инструмента, зарядного устройства и аккумулятора температура не должна подниматься выше 50°C
- ⑥ Не выкидывайте электроинструмент и батареи вместе с бытовым мусором

ИСПОЛЬЗОВАНИЕ

- Зарядка аккумулятора
 - ! **ознакомьтесь с прилагаемыми к зарядному устройству правилами техники безопасности**
- Извлечение / установка аккумулятора ②
- Индикатор уровня заряда ⑦
 - чтобы узнать текущий уровень заряда аккумулятора ⑦а, нажмите на кнопку индикатора уровня заряда J
 - ! **если после нажатия кнопки E ⑦b начинает мигать самый низкий уровень индикатора батареи, значит аккумулятор разряжен**
 - ! **если после нажатия кнопки E ⑦c начинают мигать уровни 2 индикатора батареи, значит температура аккумулятора находится за пределами допустимого диапазона рабочих температур**
- Защита аккумулятора
 - Инструмент внезапно выключается или не может быть включен, когда
 - **нагрузка слишком высока** --> уменьшите нагрузку и выполните перезапуск
 - **температура аккумулятора выходит за пределы допустимого диапазона рабочих температур от -20 до +50 °C** --> при нажатии кнопки E ⑦c начинают мигать уровни 2 индикатора уровня заряда батареи; дождитесь, пока температура аккумулятора вернется в допустимый диапазон рабочих температур
 - **аккумулятор почти разряжен (для защиты от глубокого разряда)** --> низкий уровень заряда батареи или мигающий низкий уровень заряда батареи ⑦b отображается индикатором уровня заряда батареи при нажатии кнопки E; зарядите аккумулятор
 - ! **в случае автоматического выключения инструмента не пытайтесь включить его снова, поскольку при этом может быть повреждена батарея**
- Установка шлифовочного листа ⑧
 - ! **выньте аккумулятор из инструмента перед тем,**

как производить какое-либо регулирование в замену частей или

! система отсасывания пыли требует использования перфорированных шлифовочных листов

! перфорация в шлифовочных листах должна соответствовать перфорации в основании шлифмашины

! меняйте стертые шлифовочные листы вовремя

! всегда используйте инструмент при условии, что шлифовочный лист не покрывает всю шлифовочную поверхность инструмента

- установите наждачный лист VELCRO как показано

- Отсасывание пыли

! не используйте пылесборный мешок при шлифовке металла

Пылесборный мешок ⑨

- установите пылесборный мешок В

- опустошайте пылесборный мешок регулярно для обеспечения оптимального отсоса пыли

- Выключатель вкл/выкл

- включите/отключите инструмент, нажав переключатель С ② вперед/назад

- опустошайте пылесборный мешок регулярно

! инструмент следует включить до того момента, когда шлифовальная поверхность достигнет обрабатываемого изделия

! перед тем как выключить инструмент, его следует поднять над обрабатываемым изделием

- Удержание и направление инструмента ⑩

! во время работы, всегда держите инструмент за места правильного хвата, которые обозначены серым цветом

- вести инструмент параллельно рабочей поверхности

- не прикладывайте излишнего давления на инструмент; позволить шлифовальной поверхности работать за вас

- не наклоняйте инструмент во избежание появления нежелательных глубоких царапин

- содержите вентиляционные отверстия D ② не закрытыми

СОВЕТЫ ПО ИСПОЛЬЗОВАНИЮ

- Инструмент предназначен для шлифования больших поверхностей, углов и кромок ⑪
- Никогда не следует использовать одни и те же шлифовальные листы для обработки металлической и деревянной поверхностей
- Рекомендуемая зернистость шлифовального листа:
 - для удаления краски и шлифовки полностью необработанной древесины используйте крупный размер зерна (40, 60)
 - для шлифовки необработанной и обработанной древесины используйте средний размер зерна (80, 100, 120)
 - для сглаживания древесины и поверхностей со старой краской, а также для финишной обработки неотделанной древесины используйте мелкий размер зерна (180, 240, 320)
- При обработке неровных поверхностей следует пользоваться шлифовальным листом разной зернистости:

- начинать шлифование грубым или средним листом
- отделять тонким листом
- Подробнее на сайте www.skil.com

ТЕХОБСЛУЖИВАНИЕ / СЕРВИС

- Всегда содержите инструмент и его шнур в чистоте (особенно вентиляционные отверстия D ②)
 - очистить прилипший материал обработки с инструмента с помощью щётки
 - перед чистой следует извлечь из инструмента аккумулятор
- Если инструмент, несмотря на тщательные методы изготовления и испытания, выйдет из строя, то ремонт следует производить силами авторизованной сервисной мастерской для электроинструментов фирмы SKIL
 - отправьте **неразобранный** инструмент со свидетельством покупки Вашему дилеру или в ближайшую станцию обслуживания фирмы SKIL (адреса и схема обслуживания инструмента приведены в вебсайте www.skil.com)
- Примите к сведению, что повреждения вследствие перегрузки или ненадлежащего обращения с инструментом не будут включены в гарантию (условия гарантии SKIL см. на сайте www.skil.com или узнайте у дилера в Вашем регионе)

ОХРАНА ОКРУЖАЮЩЕЙ СРЕДЫ

- **Не выкидывайте электроинструмент, батареи, принадлежности и упаковку вместе с бытовым мусором** (только для стран ЕС)
 - во исполнение европейской директивы 2012/19/ЕС об утилизации отслужившего свой срок электрического и электронного оборудования и в соответствии с действующим законодательством, утилизация электроинструментов производится отдельно от других отходов на предприятиях, соответствующих условиям экологической безопасности
 - значок ⑥ напомним Вам об этом, когда появится необходимость сдать электроинструмент на утилизацию
- ! перед тем как выбросить аккумуляторы или направить их на утилизацию, изолируйте клеммы аккумуляторов прочной изоляционной лентой для исключения короткого замыкания**

ШУМ / ВИБРАЦИЯ

- Согласно измерениям в соответствии с EN 62841 уровень звукового давления этого инструмента составляет 82 дБ(A), уровень звуковой мощности — 90 дБ(A) (погрешность K = 3 дБ), а вибрация 3,46 м/с² (векторная сумма по трем осям; погрешность K = 1,5 м/с²)
- Уровень вибрации был измерен в соответствии со стандартизированным испытанием, содержащимся в EN 62841; данная характеристика может использоваться для сравнения одного инструмента с другим, а также для предварительной оценки воздействия вибрации при использовании данного инструмента для указанных целей
 - при использовании инструмента в других целях

или с другими/неисправными вспомогательными приспособлениями уровень воздействия вибрации может значительно **повышаться**

- в периоды, когда инструмент отключен или функционирует без фактического выполнения работы, уровень воздействия вибрации может значительно **снижаться**

! защищайте себя от воздействия вибрации, поддерживая инструмент и его вспомогательные приспособления в исправном состоянии, поддерживая руки в тепле, а также правильно организуя свой рабочий процесс

UA

Бездротова бездротова 3715 універсальна шліфувальна машина

ВСТУП

- Цей інструмент призначено для сухого шліфування дерева, пластиків, металу, шпаклівок і фарбованих поверхонь
- Цей інструмент не призначений для шліфування гіпсу
- Прочитайте і збережіть цю Інструкцію з експлуатації

③

ТЕХНІЧНІ ДАНІ ①

ЕЛЕМЕНТИ ІНСТРУМЕНТА ②

- A Опорна накладка
- B Мішок
- C Вимикач живлення
- D Вентиляційні отвори
- E Індикатор рівня заряду батареї

БЕЗПЕКА

ЗАГАЛЬНІ ВКАЗІВКИ З ТЕХНІКИ БЕЗПЕКИ ПОВОДЖЕННЯ З ЕЛЕКТРОІНСТРУМЕНТАМИ

⚠ ПОПЕРЕДЖЕННЯ Уважно вивчіть запобіжні заходи та ілюстрації, а також прочитайте вказівки та технічні умови, що входять в комплект поставки цього електроінструменту. Недотримання нижчеперелічених вказівок у повному обсязі може спричинити ураження електричним струмом, пожежу та / або серйозну травму.

Добре зберігайте на майбутнє ці попередження і вказівки.

Під поняттям “електроприлад” в цих попередженнях мається на увазі електроприлад, що працює від мережі (з електрокабелем) або від акумуляторної батареї (без електрокабелю).

1) БЕЗПЕКА НА РОБОЧОМУ МІСЦІ

- a) **Примайте своє робоче місце в чистоті та прибирайте його.** Безлад або погане освітлення

на робочому місці можуть призводити до нещасних випадків.

- b) **Не працюйте з приладом у середовищі, де існує небезпена вибуху внаслідок присутності горючих рідин, газів або пилу.** Електроприлади можуть породжувати іскри, від яких може займатися пил або пари.
- c) **Під час працювання з приладом не підпускайте до робочого місця дітей та інших людей.** Ви можете втратити контроль над приладом, якщо Ваша увага буде відвернута.
- 2) **ЕЛЕКТРИЧНА БЕЗПЕКА**
 - a) **Штепсель приладу повинен пасувати до розетки. Не дозволяється що-небудь міняти в штепселі.** Для роботи з приладами, що мають захисне заземлення, не використовуйте адаптери. Використання оригінального штепселя та належної розетки зменшує ризик удару електричним струмом.
 - b) **Уникайте контакту частей тіла із заземленими поверхнями, як напр., трубами, батареями опалення, печами та холодильниками.** Коли Ваше тіло заземлене, існує збільшена небезпека удару електричним струмом.
 - c) **Захищайте прилад від дощу та вологи.** Попадання води в електроінструмент збільшує ризик удару електричним струмом.
 - d) **Не використовуйте кабелів для перенесення приладу, підвішування або витягування штепселя з розетки. Захищайте кабелів від жару, олії, гострих країв та деталей приладу, що рухаються.** Пошкоджений або закручений кабель збільшує ризик удару електричним струмом.
 - e) **Для зовнішніх робіт обов'язково використовуйте лише такий подовжувач, що допущений для зовнішніх робіт.** Використання подовжувача, що розрахований на зовнішні роботи, зменшує ризик удару електричним струмом.
 - f) **Якщо не можна запобігти використанню електроприладу у вологому середовищі, використовуйте пристрій захисту від витоку в землю.** Використання зростою захисту від витоку в землю зменшує ризик удару електричним струмом.
- 3) **БЕЗПЕКА ЛЮДЕЙ**
 - a) **Будьте уважними, слідуйте за тим, що Ви робите, та розсудливо поведіться під час роботи з електроприладом. Не користуйтеся приладом, якщо Ви стомлені або знаходитесь під дією наркотиків, спиртних напоїв або лік.** Мить неуважності при користуванні приладом може призводити до серйозних травм.
 - b) **Вдягайте особисте захисне спорядження та обов'язково вдягайте захисні окуляри.** Вдягання особистого захисного спорядження, як напр., - в залежності від виду робіт - захисної маски, спецвзуття, що не ковзається, каски або навушників, зменшує ризик травм.
 - c) **Уникайте ненавмисного вмикання. Перш ніж вмикати електроприлад в електромережу або встромляти акумуляторну батарею, брати його в руки або переносити, впевніться в тому, що електроприлад вимкнений.** Тримання пальця на вимикачі під час перенесення електроприладу або встромляння в розетку увімкненого приладу може

приводити до травм.

- d) **Перед тим, як вмикати прилад, приборіть налагоджувальні інструменти та гайковий ключ.** Знаходження налагоджувального інструмента або ключа в деталі, що обертається, може призводити до травм.
- e) **Не переоцінюйте себе. Зберігайте стійке положення та завжди зберігайте рівновагу.** Це дозволить Вам краще зберігати контроль над приладом у несподіваних ситуаціях.
- f) **Вдягайте придатний одяг. Не вдягайте просторий одяг та прикраси. Не підставляйте волосся й одяг до деталей, що рухаються.** Просторий одяг, прикраси та довге волосся можуть попадати в деталі, що рухаються.
- g) **Якщо існує можливість монтувати пиловідсмонтувальні або пилоуловлювальні пристрої, переконайтеся, щоб вони були добре під'єднані та правильно використовувалися.** Використання пиловідсмонтувального пристрою може зменшити небезпеки, зумовлені пилом.
- h) **Добре знання електроінструментів, отримане в результаті частого їх використання, не повинно призводити до самовпевненості й ігнорування принципів техніки безпеки.** Необережна дія може в одну мить призвести до важкої травми.
- 4) **ПРАВИЛЬНЕ ПОВОДЖЕННЯ ТА КОРИСТУВАННЯ ЕЛЕКТРОПРИЛАДАМИ**
 - a) **Не перевантажуйте прилад.** Використовуйте такий прилад, що спеціально призначений для певної роботи. З придатним приладом Ви з меншим ризиком отримаєте кращі результати роботи, якщо будете працювати в зазначеному діапазоні потужності.
 - b) **Не користуйтеся приладом з пошкодженням вимикачем.** Прилад, який не можна увімкнути або вимкнути, є небезпечним і його треба відремонтувати.
 - c) **Перед тим, як регулювати що-небудь на приладі, міняти приладдя або ховати прилад, витягніть штепсель із розетки та/або витягніть акумуляторну батарею, якщо вона знімається.** Ці попереджувальні заходи з техніки безпеки зменшують ризик ненавмисного запуску приладу.
 - d) **Зберігайте електроприлади, якими Ви саме не користуєтесь, далеко від дітей.** Не дозволяйте користуватися електроприладом особам, що не знайомі з його роботою або не читали ці вказівки. У разі застосування недосвідченими особами прилади несуть в собі небезпеку.
 - e) **Старанно доглядайте за електроінструментами і приладдям.** Перевірте, щоб рухомі деталі приладу бездоганно працювали та не заїдали, не були поламаними або настільки пошкодженими, щоб це могло вплинути на функціонування приладу. Пошкоджені деталі треба відремонтувати в авторизованій майстерні, перш ніж ними можна знову користуватися. Велика кількість нещасних випадків спричиняється поганим доглядом за електроприладами.
 - f) **Тримайте різальні інструменти добре нагостреними та в чистоті.** Старанно доглянути різальні інструменти з гострим різальним краєм

менше застряють та їх легше вести.

- g) **Використовуйте електроприлади, приладдя до них, робочі інструменти т.і. відповідно до цих вказівок.** Беріть до уваги при цьому умови роботи та специфіку виконуваної роботи. Використання електроприладів для робіт, для яких вони не передбачені, може призводити до небезпечних ситуацій.
- h) **Тримайте рукоятки і поверхні захвату сухими і чистими, слідуйте, щоб на них не було оливи або густого мастила.** Слизькі рукоятки і поверхні захвату унеможливають безпечно поводження з електроінструментом та його контролювання в неочікуваних ситуаціях.
- 5) **ПРАВИЛЬНЕ ПОВОДЖЕННЯ ТА КОРИСТУВАННЯ ЕЛЕКТРОПРИЛАДАМИ, ЩО ПРАЦЮЮТЬ НА АКУМУЛЯТОРНИХ БАТАРЕЯХ**
 - a) **Заряджуйте акумуляторні батареї лише в заряджувальних пристроях, рекомендованих виготовлювачем.** Використання заряджувального пристрою для акумуляторних батарей, для яких він не передбачений, може призводити до пожежі.
 - b) **Використовуйте в електроприладах лише рекомендовані акумуляторні батареї.** Використання інших акумуляторних батарей може призводити до травм та пожежі.
 - c) **Не зберігайте акумуляторну батарею, якою Ви саме не користуєтесь, поряд із канцелярськими скріпками, ключами, гвіздками, гвинтами та іншими невеликими металевими предметами, які можуть спричинити перемикання контактів.** Коротке замикання між контактами акумуляторної батареї може спричинити опіки або пожежу.
 - d) **При неправильному використанні з акумуляторної батареї може потекти рідина.** Уникайте контакту з нею. При випадковому контакті промийте відповідне місце водою. Якщо рідина потрапила в очі, додатково зверніться до лікаря. Акумуляторна рідина може спричинити подразнення шкіри або опік.
 - e) **Не використовуйте пошкоджені або модифіковані акумулятори або електроінструменти.** Пошкоджені або модифіковані акумулятори повестися неочікувано, що може призвести до пожежі, вибуху або ризику травми.
 - f) **Не піддавайте акумулятор або електроінструмент дії вогню або високим температур.** Вогонь або температури вищі за 130°C можуть призвести до вибуху.
 - g) **Виконуйте всі вказівки із заряджання і не заряджайте акумулятор або електроінструмент за температур, що виходять за вказані в інструкції мені.** Неправильне заряджання або заряджання за температур, що виходять за вказані межі, може пошкодити батарею і підвищити ризик займання.
- 6) **СЕРВІС**
 - a) **Віддавайте свій прилад на ремонт лише кваліфікованим фахівцям та лише з використанням оригінальних запчастин.** Це забезпечить безпечність приладу на довгий час.
 - b) **Ніколи не обслуговуйте пошкоджені акумулятори.** Обслуговувати акумулятори

дозволяється лише виробнику або авторизованим сервісним організаціям.

ПРАВИЛА ТЕХНІКИ БЕЗПЕКИ ДЛЯ ШЛІФУВАЛЬНОЇ МАШИНИ

ЗАГАЛЬНЕ

- Цей інструмент не можна використовувати особам віком до 16 років
- Цей інструмент не підходить для мокрої шліфівки
- **Не обробляйте матеріали, що містять асбест** (асбест вважається канцерогенним)
- Виймайте акумулятор з інструмента перед виконанням будь-яких регулювань або замінювання частин та приладдя

АКСЕСУАРИ

- SKIL гарантує надійну роботу інструмента тільки при використанні відповідного приладдя
- Не використовуйте зношені, порвані або засмічені наждачні листи

ПЕРЕД ВИКОРИСТАННЯМ

- Не допускайте пошкоджень, які можуть нанести шурупи, цвяхи і інші елементи вашому виробу; видаліть їх перед початком роботи
- Рівень шуму при роботі може перевищувати 85 дБ(а); використовуйте навушники
- Пил від таких матеріалів, як свинцовоутримуюча фарба, деякі породи дерева, мінерали й метал, може бути шкідливим (контакт із таким пилом або його вдихання може стати причиною виникнення в оператора або осіб, що перебувають поруч, алергійних реакцій і/або респіраторних захворювань); **надягайте респіратор і працюйте з пиловиділяючим пристроєм під час увімкнення інструмента**
- Деякі види пилу класифікуються як канцерогенні (наприклад, дубовий або буковий пил), особливо в сполученні з добавками для кондиціонування деревини; **надягайте респіратор і працюйте з пиловиділяючим пристроєм під час увімкнення інструмента**
- Слідуйте інструкціям по роботі з матеріалами, продукуючими пил
- Надягайте захисні рукавички, окуляри безпеки, щільно облягаючий одяг і захисну шапочку (для довгого волосся)
- **Зафіксуйте оброблювану деталь** (оброблювана деталь, зафіксована за допомогою затискних пристроїв або лещат, закріплюється краще, ніж вручну)
- При обробці металу можуть з'являтися іскри; не використовуйте пиловловлювач і видаліть займість матеріали з робочої зони

ПІД ЧАС ВИКОРИСТАННЯ

- Не торкайтеся до рухомого наждачного листа
- У разі електричної або механічної несправності негайно відключіть інструмент і вийміть акумулятор

ПІСЛЯ ВИКОРИСТАННЯ

- Коли ви закінчили роботу з інструментом, вимкніть мотор і переконайтеся, що всі рухомі частини повністю зупинилися

АКУМУЛЯТОР

- **Акумулятор, який постачається в комплекті (якщо є), є частково зарядженим** (повністю зарядіть акумулятор в зарядному пристрої перед

першим використанням свого електроінструменту, щоб забезпечити повну потужність акумулятора)

- **Використовуйте з інструментом тільки такі акумулятори і зарядні пристрої**
 - Акумулятор SKIL: BR1*31****
 - Зарядний пристрій SKIL: CR1*31****
- Не використовуйте пошкоджені акумулятор; його треба замінити
- Не розбирайте акумулятор
- Виключіть можливість потрапляння дощу на інструмент або акумулятор
- Дозволена температура довілля (інструмент/зарядний пристрій/акумулятор):
 - під час зарядження 4...40°C
 - під час роботи -20...+50°C
 - під час зберігання -20...+50°C

ПОЯСНЕННЯ ДО УМОВНИХ ПОЗНАЧЕНЬ НА ІНСТРУМЕНТІ/АКУМУЛЯТОРІ

- ③ Перед використанням прочитайте інструкцію із застосування
- ④ При влученні у вогонь батареї вибухають, тому в жодному разі не спалюйте батареї
- ⑤ Зберігайте інструмент/зарядний пристрій/акумулятор при температурі не більшій 50°C
- ⑥ Не викидайте електроінструмент та батареї разом зі звичайним сміттям

ВИКОРИСТАННЯ

- Зарядження акумулятора
! ознайомтеся з попередженнями і вказівками з техніки безпеки, які надаються з зарядним пристроєм
- Видалення/встановлення батареї ②
- Індикатор рівня заряду батареї ⑦
 - натисніть кнопку індикатора рівня заряду акумулятора Е, щоб дізнатися поточний рівень заряду ⑦а
 - ! якщо після натискання кнопки Е ⑦b починає блимати індикатор найнижчого рівня заряду батареї, то батарея розряджена**
 - ! якщо 2 увесь індикатор рівня заряду батареї після натискання кнопки Е ⑦c починає блимати, батарея не знаходиться в допустимому діапазоні робочих температур**
- Захист акумулятора
Інструмент раптово вимикається або не вмикається, якщо
 - **навантаження занадто високе** -- > приберіть навантаження і перезапустіть
 - **температура батареї не знаходиться в допустимому діапазоні робочих температур від -20 до +50°C** -- > 2 усі індикатори рівня заряду починають блимати при натисканні кнопки Е ⑦c; зачекайте, поки батарея не повернеться в допустимий діапазон робочих температур
 - **батарею майже розряджено (для захисту від глибокого розряду)** --> низький рівень заряду батареї або блимання низького рівня заряду батареї ⑦b показано індикатором рівня заряду батареї при натисканні кнопки Е; зарядіть батарею
- ! не продовжуйте роботу та не натискайте вмикач після автоматичного вимкнення**

- інструмента; такими діями можна пошкодити батарею
- Установка наждачного листа ⑧
 - ! виймайте акумулятор з інструмента перед виконанням будь-яких регулювань або замінування частин та приладдя
 - ! для засмоктування пилу потрібні перфоровані наждачні листи
 - ! перфорація в наждачному листі повинна співпадати з перфорацією в робочій пластині
 - ! своєчасно замінійте наждачні листи
 - ! завжди повністю закривайте робочу пластину наждачним папером
 - встановіть наждачний лист VELCRO як показано на малюнку
- Пиловловлювання
 - ! не використовуйте мішок при шліфуванні металу
 - Мішок ⑨
 - встановіть мішок В
 - регулярно спорожняйте мішок для оптимального засмоктування пилу
- Вимикач живлення
 - включає і вимикає інструмент натисненням перемикача С ② вперед/назад
 - ! перш ніж прикласти робочу поверхню до виробу потрібно включити інструмент
 - ! перш ніж вимкнути інструмент, його треба відвести від оброблюваного виробу
- Утримування і робота інструментом ⑩
 - ! під час роботи, завжди тримайте інструмент за частини захвату сірого кольору
 - направляйте інструмент паралельно робочій поверхні
 - не прикладайте до інструменту дуже великий тиск
 - не нахильте інструмент, щоб уникати небажаних ділянок
 - тримайте вентиляційні отвори D ② незакритими

ПОРАДИ ПО ВИКОРИСТАННЮ

- Використовуйте інструмент для шліфування великих поверхонь що обробляються, кутів і країв ⑪
- Ніколи не використовуйте один і той же наждачний лист для дерева і металу
- Рекомендовані наждачні листи:
 - для видалення фарби та шліфування повністю необробленої деревини використовуйте грубий розмір зерна (40, 60)
 - для шліфування необробленої чи обробленої деревини використовуйте середній розмір зерна (80, 100, 120)
 - для шліфування дерева та поверхонь із старою фарбою, а також для фінішної обробки необробленої деревини використовуйте дрібний розмір зерна (180, 240, 320)
- Використовуйте різні наждачні листи для необробленої поверхні:
 - починайте шліфувати крупним або середнім листом
 - завершуйте дрібним
- Дивіться додаткову інформацію на сайті www.skil.com

ДОГЛЯД/ОБСЛУГОВУВАННЯ

- Завжди тримайте інструмент та його шнур в чистоті (особливо вентиляційні отвори D ②)
 - видаліть налиплий пил щіткою
 - виймайте акумулятор з інструмента перед очищенням
- Якщо незважаючи на ретельну технологію виготовлення і перевірки інструмент все-таки вийде з ладу, його ремонт дозволяється виконувати лише в авторизованій сервісній майстерні для електрораїладів SKIL
 - надішліть **нерозібраний** інструмент разом з доказом купівлі до Вашого дилера або до найближчого центру обслуговування SKIL (адреси, а також діаграма обслуговування пристрою, подаються на сайті www.skil.com)
- Візьміть до відома, що ушкодження внаслідок перевантаження або неналежного поводження з інструментом не будуть включені в гарантію (умови гарантії SKIL див. на сайті www.skil.com або довідайтеся в дилера у Вашому регіоні)

ОХОРОНА НАВКОЛИШНЬОЇ СЕРЕДИ

- Не викидайте електрінструмент, батареї, належності та упаковку разом зі звичайним сміттям (тільки для країн ЄС)
 - відповідно до європейської директиви 2012/19/ЄС щодо утилізації старих електричних та електронних приладів, в залежності з місцевим законодавством, електрінструмент, який перебував в експлуатації повинен бути утилізований окремо, безпечним для навколишнього середовища шляхом
 - малюнок ⑥ нагадає вам про це
 - ! **перед тим, як позбутись акумулятора: заклейте грубою клейкою стрічкою клемми, щоб запобігти короткому замиканню**

ШУМ / ВІБРАЦІЯ

- За вимірами відповідно до EN 62841 рівень звукового тиску цього інструменту становлює 82 дБ(A) та рівень потужності звуку дорівнює 90 дБ(A) (коефіцієнт недостовірності K = 3 дБ), а вібрація 3,46 м/с² (трисекційна векторна сума; коефіцієнт недостовірності K = 1,5 м/с²)
- Рівень вібрації було виміряно у відповідності зі стандартизованим випробуванням, що міститься в EN 62841; дана характеристика може використовуватися для порівняння одного інструмента з іншим, а також для попередньої оцінки впливу вібрації під час застосування даного інструмента для вказаних цілей
 - при використанні інструмента в інших цілях або з іншими/несправними допоміжними пристосуваннями рівень впливу вібрації може значно **підвищуватися**
 - у періоди, коли інструмент вимикнений або функціонує без фактичного виконання роботи, рівень впливу вібрації може значно **знижуватися**
- ! **захищайте себе від впливу вібрації, підтримуючи інструмент і його допоміжні пристосування в справному стані, підтримуючи руки в теплі, а також правильно організовуючи свій робочий процес**

Άψηκτρο επαναφορτιζόμενο 3715 πολυτριβείο

ΕΙΣΑΓΩΓΗ

- Αυτό το εργαλείο προορίζεται για την ξηρή λείανση ξύλου, πλαστικών, μετάλλων, στόκου και βερνικωμένων επιφανειών
- Αυτό το εργαλείο δεν προορίζεται για το τρίψιμο γύψου
- Διαβάστε και φυλάξτε αυτές τις οδηγίες χρήσεως ③

ΤΕΧΝΙΚΑ ΧΑΡΑΚΤΗΡΙΣΤΙΚΑ ①

ΜΕΡΗ ΤΟΥ ΕΡΓΑΛΕΙΟΥ ②

- A Δίσκος συγκράτησης γυαλόχαρτου
- B Σάκκο συλλογής σκόνης
- C Διακόπτης εκκίνησης/στάσης
- D Σχισμές αερισμού
- E Ένδειξη κατάστασης μπαταρίας

ΑΣΦΑΛΕΙΑ

ΓΕΝΙΚΕΣ ΥΠΟΔΕΙΞΕΙΣ ΑΣΦΑΛΕΙΑΣ ΓΙΑ ΗΛΕΚΤΡΙΚΑ ΕΡΓΑΛΕΙΑ

⚠ ΠΡΟΕΙΔΟΠΟΙΗΣΗ Διαβάστε όλες τις προειδοποιήσεις ασφαλείας καθώς και τις οδηγίες, εικόνες και προδιαγραφές που παρέχονται με αυτό το ηλεκτρικό εργαλείο. Αμέλεια τήρησης όλων των οδηγιών που παρατίθενται παρακάτω μπορεί να προκαλέσει ηλεκτροπληξία, πυρκαγιά ή/και σοβαρό τραυματισμό.

Φυλάξτε όλες τις υποδείξεις ασφαλείας και τις οδηγίες για το μέλλον.

Ο ορισμός "ηλεκτρικό εργαλείο" που χρησιμοποιείται στις προειδοποιητικές υποδείξεις αναφέρεται σε ηλεκτρικά εργαλεία που τροφοδοτούνται από το ηλεκτρικό δίκτυο (μέ ηλεκτρικό καλώδιο) καθώς και σε ηλεκτρικά εργαλεία που τροφοδοτούνται από μπαταρία (χωρίς ηλεκτρικό καλώδιο).

1) ΑΣΦΑΛΕΙΑ ΣΤΟ ΧΩΡΟ ΕΡΓΑΣΙΑΣ

- a) Διατηρείτε το χώρο που εργάζεσθε καθαρό και καλά φωτισμένο. Αταξία στο χώρο που εργάζεσθε ή μη φωτισμένες περιοχές εργασίας μπορεί να οδηγήσουν σε ατυχήματα.
- b) Μην εργάζεσθε με το ηλεκτρικό εργαλείο σε περιβάλλον που υπάρχει κίνδυνος έκρηξης, στο οποίο υπάρχουν εύφλεκτα υγρά, αέρια ή σκόνη. Τα ηλεκτρικά εργαλεία μπορεί να δημιουργήσουν σπινθηρισμό ο οποίος μπορεί να αναφλέξει τη σκόνη ή τις αναθυμιάσεις.
- c) Όταν χρησιμοποιείτε το ηλεκτρικό εργαλείο κρατάτε τα παιδιά κι άλλα τυχόν πρόσωπα μακριά από το χώρο που εργάζεσθε. Σε περίπτωση που άλλα άτομα αποσπάσουν την προσοχή σας μπορεί να χάσετε τον έλεγχο του μηχανήματος.

2) ΗΛΕΚΤΡΙΚΗ ΑΣΦΑΛΕΙΑ

- a) Το φως του καλωδίου του ηλεκτρικού εργαλείου

πρέπει να ταιριάζει στην αντίστοιχη πρίζα. Δεν επιτρέπεται με κανένα τρόπο η μετασκευή του φως. Μη χρησιμοποιείτε προσαρμοστικά φως σε συνδυασμό με ηλεκτρικά εργαλεία συνδεδεμένα με τη γη (γειωμένα). Αθικτα φως και κατάλληλες πρίζες μειώνουν τον κίνδυνο ηλεκτροπληξίας.

- b) Αποφεύγετε την επαφή του σώματος σας με γειωμένες επιφάνειες όπως σωλήνες, θερμοαντλία σώματα (καλοριφέρ), κουζίνες και ψυγεία. Όταν το σώμα σας είναι γειωμένο αυξάνεται ο κίνδυνος ηλεκτροπληξίας.
 - c) Μην εκθέτετε το ηλεκτρικό εργαλείο στη βροχή ή την υγρασία. Η διείσδυση νερού στο ηλεκτρικό εργαλείο αυξάνει τον κίνδυνο ηλεκτροπληξίας.
 - d) Μη χρησιμοποιείτε το καλώδιο για να μεταφέρετε ή ν'αρτησετε το ηλεκτρικό εργαλείο ή για να βγάλετε το φως από την πρίζα. Κρατάτε το καλώδιο μακριά από υψηλές θερμοκρασίες, λάδια, κοφτερές ακμές η κινούμενα εξαρτήματα. Τυχόν χαλασμένα ή μπερδεμένα καλώδια αυξάνουν τον κίνδυνο ηλεκτροπληξίας.
 - e) Όταν εργάζεσθε με το ηλεκτρικό εργαλείο στο ύπαιθρο χρησιμοποιείτε πάντοτε καλώδια επιμήκυνσης (μπαλαντάζες) που έχουν εγκριθεί για χρήση σε εξωτερικούς χώρους. Η χρήση καλωδίων επιμήκυνσης εγκριμένων για εργασία σε εξωτερικούς χώρους μειώνει τον κίνδυνο ηλεκτροπληξίας.
 - f) Όταν η χρήση του ηλεκτρικού εργαλείου σε υγρό περιβάλλον είναι αναπόφευκτη, τότε χρησιμοποιήστε έναν προστατευτικό διακόπτη διαρροής. Η χρήση ενός προστατευτικού διακόπτη διαρροής ελαττώνει τον κίνδυνο ηλεκτροπληξίας.
- #### 3) ΑΣΦΑΛΕΙΑ ΠΡΟΣΩΠΩΝ
- a) Να είστε πάντοτε προσεκτικός/προσεκτική, να δίνετε προσοχή στην εργασία που κάνετε και να χειρίζεστε το ηλεκτρικό εργαλείο με περίσκεψη. Μην κάνετε χρήση του ηλεκτρικού εργαλείου όταν είστε κουρασμένοι/κουρασμένη ή όταν βρίσκεσθε υπό την επήρροη ναρκωτικών, οινοπνεύματος ή φαρμάκων. Μια στιγμήα απροσεξία κατά το χειρισμό του ηλεκτρικού εργαλείου μπορεί να οδηγήσει σε σοβαρούς τραυματισμούς.
 - b) Φοράτε προστατευτικά ενδύματα και πάντοτε προστατευτικά γυαλιά. Όταν φοράτε ενδύματα ασφαλείας, ανάλογα με το υπό χρήση ηλεκτρικό εργαλείο, όπως προστασία από σκόνη, αντιολισθητικά παπούτσια ασφαλείας, κράνη ή ωτασπίδες, μειώνεται ο κίνδυνος τραυματισμών.
 - c) Αποφεύγετε την αθέλητη εκκίνηση. Βεβαιωθείτε ότι το ηλεκτρικό εργαλείο έχει αποζηυχτεί πριν το συνδέσετε με το ηλεκτρικό δίκτυο ή/και με την μπαταρία καθώς και πριν το παραλάβετε ή το μεταφέρετε. Όταν μεταφέρετε το ηλεκτρικό εργαλείο έχοντας το δάχτυλό σας στο διακόπτη ή όταν συνδέσετε το μηχανήμα με την πηγή ρεύματος όταν αυτό είναι ακόμη συζευγμένο, τότε δημιουργείται κίνδυνος τραυματισμών.
 - d) Αφαιρείτε από τα ηλεκτρικά εργαλεία πριν τα θέσετε σε λειτουργία τυχόν συναρμολογημένα χρησιμοποιήσιμα εργαλεία ή κλειδιά. Ένα εργαλείο ή κλειδί συναρμολογημένο στο περιστρεφόμενο εξάρτημα ενός ηλεκτρικού εργαλείου μπορεί να

οδηγήσει σε τραυματισμούς.

- e) **Μην υπερεκτιμάτε τον εαυτό σας. Φροντίζετε για την ασφαλή στήριξη του σώματος σας και διατηρείτε πάντοτε την ισορροπία σας.** Αυτό σας επιτρέπει τον καλύτερο έλεγχο του ηλεκτρικού εργαλείου σε περιπτώσεις απροσδόκητων καταστάσεων.
- f) **Φοράτε κατάλληλη ενδυμασία εργασίας. Μη φοράτε φαρδιά ρούχα ή κοσμήματα. Κρατάτε τα μαλλιά και τα ρούχα σας μακριά από κινούμενα εξαρτήματα.** Χαλαρή ενδυμασία, κοσμήματα και μακριά μαλλιά μπορεί να εμπλακούν στα κινούμενα εξαρτήματα.
- g) **Αν υπάρχει η δυνατότητα συναρμολόγησης διατάξεων αναρρόφησης ή συλλογής σκόνης, βεβαιωθείτε αν οι διατάξεις αυτές είναι συνδεδεμένες καθώς και αν χρησιμοποιούνται σωστά.** Η χρήση μιας αναρρόφησης σκόνης μπορεί να ελαττώσει τον κίνδυνο που προκαλείται από τη σκόνη.
- h) **Μην εφησυχάζετε σε μια λάθος ασφάλεια και μην αψηφάτε τους κανόνες ασφαλείας για τα ηλεκτρικά εργαλεία, ακόμα και όταν μετά από συχνή χρήση είστε εξοικειωμένοι με το εργαλείο.** Ένας απρόσεκτος χειρισμός μπορεί μέσα σε κλάσματα του δευτερολέπτου να οδηγήσει σε σοβαρούς τραυματισμούς.
- 4) **ΧΡΗΣΗ ΚΙ ΕΠΙΜΕΛΗΣ ΧΕΙΡΙΣΜΟΣ ΤΩΝ ΗΛΕΚΤΡΙΚΩΝ ΕΡΓΑΛΕΙΩΝ**
 - a) **Μην υπερφορτώνετε το ηλεκτρικό εργαλείο. Χρησιμοποιείτε για την εκάστοτε εργασία σας το ηλεκτρικό εργαλείο που προορίζεται γι'αυτήν.** Με το κατάλληλο ηλεκτρικό εργαλείο εργάζεσθε καλύτερα και ασφαλέστερα στην αναφερόμενη περιοχή ισχύος.
 - b) **Μη χρησιμοποιήσετε ποτέ ένα ηλεκτρικό εργαλείο του οποίου ο διακόπτης ON/OFF είναι χαλασμένος.** Ένα ηλεκτρικό εργαλείο το οποίο δεν μπορεί να τεθεί πλέον σε ή εκτός λειτουργίας είναι επικίνδυνο και πρέπει να επισκευαστεί.
 - c) **Τραβήξτε το φως από την πρίζα και/ή απομακρύνετε μια αποσπώμενη μπαταρία, προτού εκτελέσετε ρυθμίσεις στο ηλεκτρικό εργαλείο, προτού αλλάξετε εξαρτήματα ή φυλάξετε το ηλεκτρικό εργαλείο.** Αυτά τα προληπτικά μέτρα ασφαλείας μειώνουν τον κίνδυνο από τυχόν αθέλητη εκκίνηση του ηλεκτρικού εργαλείου.
 - d) **Διαφυλάγετε τα ηλεκτρικά εργαλεία που δε χρησιμοποιείτε μακριά από παιδιά. Μην αφήνετε άτομα που δεν είναι εξοικειωμένα με το ηλεκτρικό εργαλείο ή δεν έχουν διαβάσει αυτές τις οδηγίες χρήσης να το χρησιμοποιήσουν.** Τα ηλεκτρικά εργαλεία είναι επικίνδυνα όταν χρησιμοποιούνται από άπειρα πρόσωπα.
 - e) **Φροντίζετε τα ηλεκτρικά εργαλεία και τα εξάρτημα με επιμέλεια. Ελέγχετε, αν τα κινούμενα εξαρτήματα λειτουργούν άψογα, χωρίς να μπλοκάρουν, ή μήπως έχουν σπάσει ή φθαρεί τυχόν εξαρτήματα τα οποία επηρεάζουν τον τρόπο λειτουργίας του ηλεκτρικού εργαλείου. Δώστε αυτά τα χαλασμένα εξαρτήματα για επισκευή πριν τα ξαναχρησιμοποιήσετε.** Η κακή συντήρηση των ηλεκτρικών εργαλείων αποτελεί αιτία πολλών ατυχημάτων.
 - f) **Διατηρείτε τα κοπτικά εργαλεία κοφτερά και καθαρά.** Τα κοπτικά εργαλεία που συντηρούνται

με προσοχή μπορούν να οδηγηθούν εύκολα και να ελεγχθούν καλύτερα.

- g) **Χρησιμοποιείτε τα ηλεκτρικά εργαλεία, τα εξαρτήματα, τα χρησιμοποιήσιμα εργαλεία κτλ. σύμφωνα με τις παρούσες οδηγίες καθώς. Λαμβάνετε ταυτόχρονα υπόψη σας τις συνθήκες εργασίας και την υπό εκτέλεση εργασία.** Η χρήση του ηλεκτρικού εργαλείου για άλλες εκτός από τις προβλεπόμενες εργασίες μπορεί να δημιουργήσει επικίνδυνες καταστάσεις.
- h) **Διατηρείτε τις λαβές και επιφάνειες λαβής στεγνές, καθαρές και ελεύθερες από λάδι και γράσο.** Οι ολισθηρές λαβές και επιφάνειες λαβής δεν επιτρέπουν κανέναν ασφαλή χειρισμό και έλεγχο του ηλεκτρικού εργαλείου σε τυχόν απρόβλεπτες καταστάσεις.
- 5) **ΧΡΗΣΗ ΚΙ ΕΠΙΜΕΛΗΣ ΧΕΙΡΙΣΜΟΣ ΕΡΓΑΛΕΙΩΝ ΜΠΑΤΑΡΙΑΣ**
 - a) **Φορτίζετε μόνο με φορτιστές που προβλπεί ο κατασκευαστής.** Η φόρτιση με φορτιστές που δεν προορίζονται για τον υπό φόρτιση τύπο του μπλοκ μπαταρίας δημιουργεί κίνδυνο πυρκαγιάς.
 - b) **Χρησιμοποιείτε τα ηλεκτρικά εργαλεία πάντοτε με τα προβλεπόμενα για αυτά μπλοκ μπαταρίας.** Η χρήση διαφορετικών μπλοκ μπαταρίας μπορεί να οδηγήσει σε τραυματισμούς ή πυρκαγιά.
 - c) **Διαφυλάγετε τις μπαταρίες που δε χρησιμοποιείτε μακριά από μεταλλικά αντικείμενα, π.χ. από συνδετήρες χαρτίων, νομίσματα, κλειδιά, καρφιά, βίδες ή άλλα παρόμοια μικροαντικείμενα, τα οποία θα μπορούσαν να επιγεφυρώσουν τις διάφορες μεμονωμένες επαφές.** Μια επιγεφυρώση από μεταλλικά αντικείμενα μπορεί να προκαλέσει βραχυκύκλωμα, σπινθηρισμό ή πυρκαγιά.
 - d) **Υπό δυσμενείς συνθήκες λειτουργίας μπορεί να διαρρεύσουν υγρά από την μπαταρία. Αποφεύγετε κάθε επαφή με μια μη στεγανή μπαταρία. Σε περίπτωση ακούσιας επαφής με τα υγρά, ξεπλύντε άμεσα με νερό την αντίστοιχη θψη επαφής. Εκτός από αυτό, αν τα υγρά διεισδύσουν στα μάτια σας, επισκεφτείτε χωρίς καθυστέρηση πνα γιατρό.** Τα διαρρποντα υγρά των μπαταριών μπορεί να προκαλέσουν ερεθισμούς ή και εγκαύματα.
 - e) **Μη χρησιμοποιείτε καμία χαλασμένη ή τροποποιημένη μπαταρία ή ηλεκτρικό εργαλείο.** Οι χαλασμένες ή τροποποιημένες μπαταρίες μπορεί να παρουσιάσουν μια απρόβλεπτη συμπεριφορά και να οδηγήσουν σε φωτιά, έκρηξη ή σε κίνδυνο τραυματισμού.
 - f) **Μην εκθέτετε μια μπαταρία ή ένα ηλεκτρικό εργαλείο σε φωτιά ή σε πολύ υψηλές θερμοκρασίες.** Η φωτιά ή οι θερμοκρασίες πάνω από 130°C μπορεί να προκαλέσουν μια έκρηξη.
 - g) **Τηρείτε όλες τις υποδείξεις για τη φόρτιση και μη φορτίζετε την μπαταρία ή το εργαλείο μπαταρίας ποτέ εκτός της περιοχής θερμοκρασίας που αναφέρεται στις οδηγίες λειτουργίας.** Η λάθος φόρτιση ή η φόρτιση εκτός της επιτρεπτής περιοχής θερμοκρασίας μπορεί να καταστρέψει την μπαταρία και να αυξήσει τον κίνδυνο πυρκαγιάς.
- 6) **ΣΕΡΒΙΣ**
 - a) **Δίνετε το ηλεκτρικό σας εργαλείο για επισκευή από άριστα ειδικευμένο προσωπικό, μόνο**

με γνήσια ανταλλακτικά. Ετσι εξασφαλίζεται η διατήρηση της ασφάλειας του ηλεκτρικού εργαλείου.

- b) **Μη συντηρήσει ποτέ χαλασμένες μπαταρίες.** Κάθε συντήρηση των μπαταριών πρέπει να πραγματοποιείται μόνο από τον κατασκευαστή ή από εξουσιοδοτημένα συνεργεία σέρβις πελατών.

ΥΠΟΔΕΙΞΕΙΣ ΑΣΦΑΛΕΙΑΣ ΓΙΑ ΤΡΙΒΕΙΑ

ΓΕΝΙΚΑ

- Αυτό το εργαλείο δεν πρέπει να χρησιμοποιείται από άτομα κάτω των 16 ετών
- Αυτό το εργαλείο δεν είναι κατάλληλο για λείανση με γρήση υγρών
- **Μην κατεργάζεστε υλικά που περιέχουν αμίαντο** (το αμίαντο θεωρείται σαν καρκινογόνο υλικό)
- Βγάλτε την μπαταρία από το εργαλείο προτού κάνετε οποιαδήποτε ρύθμιση ή αλλάξετε κάποιο εξάρτημα

ΕΞΑΡΤΗΜΑΤΑ

- Η SKIL εγγυάται την τέλεια λειτουργία του εργαλείου μόνο όταν χρησιμοποιούνται αυθεντικά εξάρτηματα
- Δεν επιτρέπεται η περαιτέρω χρήση γυαλόχαρτών που έχουν φθαρεί, σχιστεί ή έχουν χάσει τη λειαντική τους ικανότητα

ΠΡΙΝ ΑΠΟ ΤΗ ΧΡΗΣΗ

- Προφυλάξτε το εργαλείο από τυχόν φθορές από ξένα σώματα (βίδες, καρφιά ή άλλα) που ίσως είναι μέσα στο κομμάτι που θα δουλέψετε - αφαιρέστε τα πριν αρχίσετε την εργασία
- Η ηχητική στάθμη κατά την εργασία ενδέχεται να ξεπεράσει τα 85 dB(A) - γι' αυτό θα πρέπει να φοράτε προστασία ακοής
- Η σκόνη από υλικά όπως μμογιές που περιέχουν μόλυβδο, ορισμένα είδη ξύλου, ανόργανα στοιχεία και μέταλλα μπορεί να είναι επιβλαβής (η επαφή ή η εισπνοή της σκόνης μπορεί να προκαλέσει αλλεργικές αντιδράσεις ή/και αναπνευστικές ασθένειες στον χειριστή ή σε άτομα που παρίστανται) - **να φοράτε προσωπίδα προστασίας από τη σκόνη και να εργάζεστε με συσκευή αφαίρεσης σκόνης όταν είναι δυνατό**
- Ορισμένα είδη σκόνης ταξινομούνται ως καρκινογόνα (όπως η σκόνη από τη δρυ ή την οξιά) ιδιαίτερα σε συνδυασμό με πρόσθετα συντήρησης ξύλου - **να φοράτε προσωπίδα προστασίας από τη σκόνη και να εργάζεστε με συσκευή αφαίρεσης σκόνης όταν είναι δυνατό**
- Ακολουθήστε τις σχετικές με σκόνη εθνικές διατάξεις για τα υλικά που θέλετε να εργαστείτε
- Φοράτε προστατευτικά γάντια, προστατευτικά γυαλιά, εφαρμοστά ενδύματα και κάλυμμα μαλλιών (για μακριά μαλλιά)
- **Στερεώστε το κομμάτι εργασίας** (το κομμάτι εργασίας συγκρατείται καλύτερα με σφιγκτήρες ή σε μέγγενη παρά με το χέρι)
- Όταν λειανίετε μέταλλα παράγονται σπινθήρες - μη χρησιμοποιείτε το δοχείο συλλογής σκόνης και απομακρύνετε άλλα άτομα και εύφλεκτα υλικά από τον χώρο εργασίας

ΚΑΤΑ ΤΗ ΧΡΗΣΗ

- Μην έρχεστε σε επαφή με το κινούμενο γυαλόχαρτο
- Σε περίπτωση ηλεκτρικής ή μηχανικής δυσλειτουργίας, σταματήστε αμέσως το εργαλείο και βγάλτε την μπαταρία

ΜΕΤΑ ΤΗ ΧΡΗΣΗ

- Όταν τελειώσετε την δουλειά σας και ακουμπάτε το εργαλείο στο πλάι, κλείστε τον διακόπτη και βεβαιωθείτε ότι όλα τα κινούμενα μέρη του έχουν σταματήσει εντελώς

ΜΠΑΤΑΡΙΕΣ

- **Η παρεχόμενη συστοιχία μπαταριών είναι μερικώς φορτισμένη** (για να εξασφαλιστεί ότι η μπαταρία αποκτά τη μέγιστη χαμηλότερη, να φορτίζετε τελείως τη μπαταρία με τον φορτιστή της πριν από τη χρήση του ηλεκτρικού εργαλείου σας για πρώτη φορά)
- **Να χρησιμοποιείτε μόνο τις μπαταρίες και τους φορτιστές που παραδίδονται με το εργαλείο**
 - Μπαταρία SKIL: BR1*31****
 - Φορτιστής SKIL: CR1*31****
- Μην χρησιμοποιείτε την μπαταρία όταν έχει βλάβη; πρέπει να την αντικαθιστάτε
- Μην συναρμολογείτε τη μπαταρία
- Μην εκθέτετε το εργαλείο/την μπαταρία στη βροχή
- Επιτρεπτή θερμοκρασία περιβάλλοντος (εργαλείο/φορτιστή/μπαταρία):
 - κατά τη φόρτιση 4...40°C
 - κατά τη λειτουργία -20...+50°C
 - κατά την αποθήκευση -20...+50°C

ΕΠΕΞΗΓΗΣΗ ΤΩΝ ΣΥΜΒΟΛΩΝ ΣΤΟ ΕΡΓΑΛΕΙΟ/ΜΠΑΤΑΡΙΑ

- ③ Διαβάστε το εγχειρίδιο οδηγιών πριν από τη χρήση
- ④ Οι μπαταρίες θα εκραγούν εάν γίνει απόρριψή τους σε φωτιά, γι' αυτό μην καίτε τις μπαταρίες για οποιοδήποτε λόγο
- ⑤ Να αποθηκευτεί το εργαλείο/τον φορτιστή/την μπαταρία σε μέρη όπου η θερμοκρασία δεν θα ξεπεράσει τους 50°C
- ⑥ Μην πετάτε τα ηλεκτρικά εργαλεία και μπαταρίες στον κάδο οικιακών απορριμμάτων

ΧΡΗΣΗ

- Φόρτιση της μπαταρίας
 - ! **διαβάστε τις προειδοποιήσεις ασφαλείας και τις οδηγίες που παρέχονται με το φορτιστή**
 - Αφαίρεση/εγκατάσταση της μπαταρίας ②
 - Ένδειξη κατάστασης μπαταρίας ⑦
 - πιάστε το κουμπί του ενδεικτικού κατάστασης μπαταρίας E για να εμφανίσετε την τρέχουσα κατάσταση της μπαταρίας ⑦a
 - ! **όταν το ενδεικτικό κατώτατης στάθμης της μπαταρίας αρχίσει να αναβοσβήνει μετά από το πάτημα του πλήκτρου E ⑦b, η μπαταρία έχει αδειάσει**
 - ! **όταν τα επίπεδα 2 του ενδεικτικού της μπαταρίας αρχίσουν να αναβοσβήνουν μετά από το πάτημα του πλήκτρου E ⑦c, η μπαταρία δεν είναι εντός του επιτρεπόμενου εύρους θερμοκρασιών λειτουργίας**
- Προστασία της μπαταρίας
 - Το εργαλείο σβήνει αιφνίδια ή δεν είναι δυνατό το άναμμα του όταν
 - **το φορτίο είναι πολύ υψηλό** --> αφαιρέστε το φορτίο και επανεκκινήστε
 - **η θερμοκρασία της μπαταρίας δεν βρίσκεται εντός του επιτρεπόμενου εύρους θερμοκρασίας λειτουργίας, δηλαδή -20 έως +50°C** --> Τα επίπεδα 2 του ενδεικτικού της στάθμης της μπαταρίας

αρχίζουν να αναβοσβήνουν κατά το πάτημα του πλήκτρου E ⑦c. Περιμένετε μέχρι η μπαταρία να επανέλθει εντός του επιτρεπόμενου εύρους θερμοκρασίας λειτουργίας

- η μπαταρία έχει σχεδόν αδειάσει (για προστασία έναντι βαθείας εκφόρτισης) --> ανάβει ή αναβοσβήνει η χαμηλή στάθμη μπαταρίας ⑦b δίπλα στο ενδεικτικό στάθμης μπαταρίας κατά το πάτημα του πλήκτρου E. Φορτίστε τη μπαταρία
- ! μην συνεχίσετε να πατάτε το διακόπτη ενεργοποίησης/απενεργοποίησης μετά την αυτόματη απενεργοποίηση του εργαλείου - μπορεί να προκληθεί βλάβη στη μπαταρία**

- Τοποθέτηση γυαλόχαρτου ⑧

! βγάλτε την μπαταρία από το εργαλείο προτού κάνετε οποιαδήποτε ρύθμιση ή αλλάξετε κάποιο εξάρτημα

! το σύστημα απορρόφησης σκόνης απαιτεί τη χρήση διάτρητων φύλλων γυαλόχαρτου

! η διάτρηση στο γυαλόχαρτο πρέπει να αντιστοιχεί στη διάτρηση του λειαντικού πέλατος

! αλλάζετε έγκαιρα το φθαρμένο γυαλόχαρτο
! χρησιμοποιείτε το εργαλείο πάντα καλύπτοντας ολόκληρη τη λειαντική επιφάνεια με γυαλόχαρτο

- τοποθετήστε το αυτοκόλλητο γυαλόχαρτο (VELCRO) όπως δείχνει η εικόνα

- Απορρόφηση σκόνης

! μη χρησιμοποιείτε το σάκκο συλλογής σκόνης όταν λειανείτε μέταλλα

Σάκκο συλλογής σκόνης ⑨

- τοποθετήστε το σάκκο συλλογής σκόνης B
- να αδειάζετε κανονικά το σάκκο για καλύτερη συλλογή της σκόνης

- Διακόπτης εκκίνησης/στάσης

- ξεκινείτε/σταματήστε το εργαλείο σπρώχνοντας το διακόπτη C ② προς τα εμπρός/πίσω

! πρέπει να ξεκινήσετε το εργαλείο πριν η λειαντική επιφάνεια (το γυαλόχαρτο) φθάσει το κομμάτι που κατεργάζεσθε

! προτού σταματήσετε το εργαλείο πρέπει να το ανασηλώσετε από το κατεργαζόμενο κομμάτι

- Πώς να κρατάτε και να οδηγείτε το εργαλείο ⑩

! ενώ εργάζεστε, να κρατάτε πάντα το εργαλείο από τη/τις λαβή/ές με γκρι χρώμα

- οδηγείτε το εργαλείο σας παράλληλα προς την επιφάνεια εργασίας
- μην εφαρμόζετε υπερβολική πίεση στο εργαλείο - αφήστε την λειαντική επιφάνεια να δουλέψει για σάς
- μην κινείτε απότομα και μη γέρνετε το εργαλείο για να αποφύγετε σημάδια στη λειανόμενη επιφάνεια
- κρατάτε τις σχισμές αερισμού D ② ακάλυπτες

ΟΔΗΓΙΕΣ ΕΦΑΡΜΟΓΗΣ

- Χρησιμοποιείτε το εργαλείο για να τρίψετε μεγάλες επιφάνειες εργασίας, γωνίες και ακμές ⑪
- Ποτέ μην κατεργάζεστε ξύλα και μέταλλα με το ίδιο γυαλόχαρτο
- Συνιστώμενες ποιότητες γυαλόχαρτου:
 - για την αφαίρεση χρωμάτων και για το τρίψιμο εξαιρετικά άγριου ξύλου χρησιμοποιήστε χονδρό νούμερο γυαλόχαρτο (40, 60)

- για το τρίψιμο άγριου ή κοινού ξύλου χρησιμοποιήστε μεσαίο νούμερο γυαλόχαρτο (80, 100, 120)

- για την εξομάλυνση ξύλου και επιφανειών με παλαιά χρώματα καθώς και για το φινιρίσμα ακάλυπτου ξύλου χρησιμοποιήστε φιλό νούμερο γυαλόχαρτο (180, 240, 320)

- Να χρησιμοποιείτε διάφορα μεγέθη κόκκων όταν η επιφάνεια που κατεργάζεστε είναι άγρια:
 - Ξεκινήστε τη λείανση με χονδρούς κόκκους ή μεσαίου μεγέθους κόκκους
 - τελειώστε την κατεργασία με λεπτούς κόκκους
- Για περισσότερες πληροφορίες επισκεφθείτε τη σελίδα www.skil.com

ΣΥΝΤΗΡΗΣΗ / ΣΕΡΒΙΣ

- Κρατάτε πάντοτε το εργαλείο και το καλώδιο καθαρά (και ιδιαίτερα τις θυρίδες αερισμού D ②)
 - απομακρύνετε την κολλημένη σκόνη μ' ένα πινέλο
 - αφαιρέστε την μπαταρία από το εργαλείο πριν από τον καθαρισμό
- Αν παρ' όλες τις επιμελημένες μεθόδους κατασκευής και ελέγχου το εργαλείο σταματήσει κάποτε να λειτουργεί, τότε η επισκευή του πρέπει να ανατεθεί σ' ένα εξουσιοδοτημένο συνεργείο για ηλεκτρικά εργαλεία της SKIL
 - στείλτε το εργαλείο χωρίς να το αποσυρμολογήσετε μαζί με την απόδειξη αγοράς στο κατάστημα από το οποίο το αγοράσατε ή στον πλησιέστερο σταθμό τεχνικής εξυπηρέτησης της SKIL (θα βρείτε τις διευθύνσεις και το διάγραμμα συντήρησης του εργαλείου στην ιστοσελίδα www.skil.com)
- Να γνωρίζετε ότι βλάβες που προκαλούνται λόγω υπερφόρτωσης ή ακατάλληλου χειρισμού του εργαλείου, δεν καλύπτονται από την εγγύηση (για τους όρους της εγγύησης της SKIL επισκεφθείτε τη διεύθυνση www.skil.com ή απευθυνθείτε στον πλησιέστερο αντιπρόσωπο)

ΠΕΡΙΒΑΛΛΟΝ

- Μην πετάτε τα ηλεκτρικά εργαλεία, μπαταρίες, εξαρτήματα και συσκευασία στον κάδο οικιακών απορριμμάτων (μόνο για τις χώρες της ΕΕ)
 - σύμφωνα με την ευρωπαϊκή οδηγία 2012/19/EK περί ηλεκτρικών και ηλεκτρονικών συσκευών και την ενσωμάτωσή της στο εθνικό δίκαιο, τα ηλεκτρικά εργαλεία πρέπει να συλλέγονται ξεχωριστά και να επιστρέφονται για ανακύκλωση με τρόπο φιλικό προς το περιβάλλον
 - το σύμβολο ⑬ θα σας το θυμίσει αυτό όταν έλθει η ώρα να πετάξετε τις
- ! προτού πετάξετε τις μπαταρίες καλύψτε τις επαφές τους με μονωτική ταινία για να αποφύγετε τυχόν βραχυκυκλώματα**

ΘΟΡΥΒΟΣ / ΚΡΑΔΑΣΜΟΣ

- Βάσει της μέτρησης σύμφωνα με το πρότυπο EN 62841, η στάθμη ηχοπίεσης αυτού του εργαλείου είναι 82 dB(A) και η στάθμη ηχοπίεσης του 90 dB(A) (αβεβαιότητα K = 3 dB), και ο κραδασμός 3,46 m/s² (τριαξονικό διανυσματικό άθροισμα, αβεβαιότητα K = 1,5 m/s²)

- Το επίπεδο παραγωγής κραδασμών έχει μετρηθεί σύμφωνα με μια τυποποιημένη δοκιμή που αναφέρεται στο πρότυπο EN 62841 - μπορεί να χρησιμοποιηθεί για τη σύγκριση ενός εργαλείου με ένα άλλο, καθώς και ως προκαταρκτική αξιολόγηση της έκθεσης στους κραδασμούς όταν το εργαλείο χρησιμοποιείται για τις εφαρμογές που αναφέρονται
 - η χρήση του εργαλείου για διαφορετικές εφαρμογές ή με διαφορετικά ή κακοσυντηρημένα εξαρτήματα μπορεί να **αυξήσει** σημαντικά το επίπεδο έκθεσης
 - όταν το εργαλείο είναι απενεργοποιημένο ή δουλεύει αλλά δεν εκτελεί την εργασία, το επίπεδο έκθεσης μπορεί να **μειωθεί** σημαντικά
- ! προστατευτείτε από τις επιδράσεις των κραδασμών συντηρώντας σωστά το εργαλείο και τα εξαρτήματά του, διατηρώντας τα χέρια σας ζεστά και οργανώνοντας τον τρόπο εργασίας σας**

RO

Șlefuitor multifuncțional fără fir 3715 și fără perii

INTRODUCERE

- Această sculă se utilizează pentru șlefuirea uscată a lemnului, plasticului, metalului, chitului și a suprafețelor vopsite
- Această sculă nu este destinată sablării gipsului
- Citiți și păstrați acest manual de instrucțiuni ③

DATE TEHNICE ①

ELEMENTELE SCULEI ②

- A Platou de șlefuit
- B Sacul pentru praf
- C Întrerupător pornit/oprit
- D Fantele de ventilație
- E Indicator nivel încărcare acumulator

SIGURANȚĂ

INSTRUCȚIUNI GENERALE DE SIGURANȚĂ PENTRU SCULE ELECTRICE

AVERTISMENT Citiți toate avertismentele, instrucțiunile, ilustrațiile și specificațiile furnizate împreună cu această sculă electrică. Neconformarea la instrucțiunile de mai jos poate produce șoc electric, incendiu și/sau răniri grave.

Păstrați toate avertizările și instrucțiunile în vederea consultării ulterioare.

Termenul de "sculă electrică" folosit în indicațiile de avertizare se referă la sculele electrice alimentate de la rețea (cu cablu de alimentare) și la sculele electrice cu acumulator (fără cablu de alimentare).

1) SIGURANȚA LA LOCUL DE MUNCĂ

- a) **Păstrați-vă locul de muncă curat și bine iluminat.** Dezordinea la locul de muncă sau existența unor

- sectoare de lucru neiluminate poate duce la accidente.
 - b) **Nu folosiți mașina în medii cu pericol de explozie, acolo unde există lichide, gaze sau pulberi inflamabile.** Sculele electrice pot produce scântei care să aprindă pulberile sau vaporii.
 - c) **Nu permiteți accesul copiilor și al altor persoane în timpul lucrului cu mașina.** Dacă vi se distrage atenția puteți pierde controlul asupra mașinii.
- ### 2) SECURITATE ELECTRICĂ
- a) **Ștecherul de racordare a mașinii trebuie să se potrivească cu priza de alimentare. Nu este permisă în nici-un caz modificarea ștecherului. Nu folosiți adaptoare pentru ștechere la mașinile legate la pământ.** Ștecherele nemodificate și prizele de curent adecvate acestora reduc riscul de electrocutare.
 - b) **Evitați contactul corporal cu suprafețe legate la pământ ca țevi, radiatoare, plite electrice și frigider.** Există un risc crescut de electrocutare atunci când corpul dv. este și el legat la pământ.
 - c) **Nu lăsați mașina afară în ploaie sau în mediu umed.** Riscul de electrocutare crește atunci când într-o sculă electrică pătrunde apă.
 - d) **Nu trageți niciodată mașina de cordonul de alimentare pentru a o transporta, a o atârna sau a scoate ștecherul din priza de curent. Feriți cordonul de alimentare de căldură, ulei, mυχii ascuțite sau de subsansamble aflate în mișcare.** Un cordon de alimentare deteriorat sau înfășurat mărește riscul de electrocutare.
 - e) **Atunci când lucrați cu scula electrică în aer liber, folosiți numai cordoane prelungitoare autorizate pentru exterior.** Întrebuințarea unui cordon prelungitor adecvat utilizării în aer liber reduce riscul de electrocutare.
 - f) **Atunci când nu poate fi evitată utilizarea sculei electrice în mediu umed, folosiți un întrerupător de circuit cu împământare.** Folosirea unei întrerupător de circuit cu împământare reduce riscul de electrocutare.
- ### 3) SECURITATEA PERSOANELOR
- a) **Fiți vigilenți, fiți atenți la ceea ce faceți și procedați rațional atunci când lucrați cu scula electrică. Nu folosiți mașina dacă sunteți obosiți sau vă aflați sub influența drogurilor, alcoolului sau a medicamentelor.** Un moment de neatenție în timpul lucrului cu mașina poate duce la răniri grave.
 - b) **Purtați echipament de protecție personală și întotdeauna ochelari de protecție.** Folosirea echipamentelor de protecție a persoanei ca mască de protecție împotriva prafului, încălțăminte antiderapantă, cască de protecție sau aparat de protecție auditivă, în funcție de tipul și domeniul de folosire al sculei electrice, reduce riscul rănilor.
 - c) **Evitați o punere în funcțiune involuntară. Înainte de a introduce ștecherul în priză și/sau de a introduce acumulatorul în scula electrică, de a o ridica sau de a o transporta, asigurați-vă că aceasta este oprită.** Dacă atunci când transportați scula electrică țineți degetul pe întrerupător sau dacă porniți scula electrică înainte de a o racorda la rețeaua de curent, puteți provoca accidente.
 - d) **Înainte de a pune mașina în funcțiune scoateți afară cheile reglabile și fixe.** O cheie reglabilă sau fixă, aflată într-o componentă de mașină care se rotește, poate

provoca răniri.

- e) **Nu vă supraapreciați. Asigurați-vă o poziție stabilă și păstrați-vă întotdeauna echilibrul.** Astfel veți putea controla mai bine mașina în situații neașteptate.
- f) **Purtați îmbrăcăminte de lucru adecvată. Nu purtați haine largi sau podoabe. Feriți părul și îmbrăcăminte de piesele aflate în mișcare.** Îmbrăcăminte largă, podoabe și părul lung pot fi prinse de piesele aflate în mișcare.
- g) **Dacă există posibilitatea montării de echipamente și instalații de aspirare și colectare a prafului, asigurați-vă că acestea sunt conectate și folosite corect.** Folosirea unei instalații de aspirare a prafului poate duce la reducerea poluării cu praf.
- h) **Nu vă lăsați amăgiți de ușurința în operare dobândită în urma folosirii frecvente a sculelor electrice și nu ignorați principiile de siguranță ale acestora.** Neglijența poate provoca, într-o fracțiune de secundă, vătămări corporale grave

4) MANEVRAȚI ȘI FOLOȘIȚI CU GRIJĂ SCULELE ELECTRICE

- a) **Nu suprasolicitați mașina. Folosiți scula electrică destinată executării lucrării dumneavoastră.** Cu scula electrică potrivită lucrați mai bine și mai sigur în domeniul de putere specificat.
 - b) **Nu folosiți scula electrică dacă are întrerupătorul defect.** O sculă electrică, care nu mai poate fi pornită sau oprită este periculoasă și trebuie reparată.
 - c) **Scoateți ștecherul afară din priză și/sau îndepărtați acumulatoru dacă este detașabil, înainte de a executa reglaje, a schimba accesorii sau a depozita scula electrică.** Această măsură preventivă reduce riscul unei porniri involuntare a mașinii.
 - d) **În caz de nefolosire păstrați mașinile la loc inaccesibil copiilor. Nu permiteți persoanelor care nu sunt familiarizate cu mașina sau care n-au citit prezentele instrucțiuni, să folosească mașina.** Sculele electrice sunt periculoase atunci când sunt folosite de persoane fără experiență.
 - e) **Întrețineți sculele electrice și accesoriile acestora. Controlați dacă componentele mobile funcționează corect și dacă nu se blochează, dacă nu există piese defecte sau deteriorate, care să afecteze funcționarea mașinii. Înainte de a repune în funcțiune mașina, duceți-o la un atelier de asistență service pentru repararea sau înlocuirea pieselor deteriorate.** Multe accidente s-au datorat întreținerii defectuoase a sculelor electrice.
 - f) **Păstrați accesoriile bine ascuțite și curate.** Accesoriile atent întreținute, cu muchii tăietoare bine ascuțite se blochează mai greu și pot fi conduse mai ușor.
 - g) **Folosiți sculele electrice, accesoriile, dispozitivele de lucru etc. conform prezentelor instrucțiuni. Țineți seama de condițiile de lucru și de lucrarea care trebuie executată.** Întreținerea unor scule electrice destinate altor utilizări decât cele preconizate, poate duce la situații periculoase.
 - h) **Mențineți mânerul și zonele de prindere uscate, curate și feriți-le de ulei și onsoare.** Mânerul și zonele de prindere alunecoase nu permit manevrarea și controlul sigur al sculei electrice în situații neașteptate.
- 5) **MANEVRAȚI ȘI FOLOȘIȚI CU GRIJĂ SCULELE**

ELECTRICE CU ACUMULATOR

- a) **Folosiți pentru încărcarea acumulatorilor numai încărcătoarele recomandate de producător.** Dacă un încărcător destinat unui anumit tip de acumulator este folosit la încărcarea altor acumulatori există pericol de incendiu.
 - b) **Folosiți la sculele electrice numai acumulatorii prevăzuți în acest scop.** Întrebunțarea altor acumulatori decât cei specificați poate duce la răniri și pericol de incendii.
 - c) **Feriți acumulatorii nefolosiți de contactul cu agrafe de birou, monede, chei, cuie, șuruburi sau alte obiecte metalice mici, care pot produce o punte metalică între contactele acumulatorului.** Un scurtcircuit între poli de contact ai acumulatorului poate avea drept consecință arsuri sau incendii.
 - d) **Ca urmare a folosirii necorespunzătoare, din acumulator se poate scurge lichid. Evitați contactul cu acesta. În caz de contact accidental, clătiți cu apă. Dacă lichidul vă intră în ochi, pe lângă măsurile aminite consultați și un medic.** Lichidul care se scurge din acumulator poate provoca iritarea pielii sau arsuri.
 - e) **Nu folosiți un acumulator sau o sculă electrică cu acumulator deteriorat sau modificat.** Acumulatorii deteriorați sau modificați pot avea un comportament imprevizibil care să ducă la incendiu, explozie sau să genereze risc de vătămări corporale.
 - f) **Nu expuneți acumulatorul sau scula electrică la foc sau temperaturi excesive.** Expunerea la foc sau temperaturi de peste 130°C poate duce la explozii.
 - g) **Respectați toate instrucțiunile de încărcare și nu reincarcați acumulatorul sau scula electrică cu acumulator la temperaturi situate în afara domeniului de temperaturi specificat în instrucțiuni.** Încărcarea incorectă sau la temperaturi situate în afara domeniului de temperaturi specificat ar putea cauza deteriorarea acumulatorului și mări riscul de incendiu.
- 6) **SERVICIU**
- a) **Permiteți repararea mașinii dumneavoastră numai de către un specialist calificat și numai cu piese de schimb originale.** În acest mod este garantată menținerea siguranței de exploatare a mașinii.
 - b) **Nu întrețineți niciodată acumulatorii deteriorați.** Întreținerea acumulatorilor ar trebui efectuată numai de către producător sau de către furnizori de service autorizați de acesta.

INSTRUCȚIUNI DE SIGURANȚĂ PENTRU ȘLEFUITOARE

GENERALITĂȚI

- Această sculă nu trebuie să fie folosit de persoane sub 16 ani
- Această sculă nu este destinată pentru șlefuire umedă
- **Nu prelucrați materiale care conțin azbest** (azbestul este considerat a fi cancerigen)
- Scoateți bateria din sculă înainte de a face orice reglaje sau de a schimba accesorii

ACCESORII

- SKIL garantează funcționarea perfectă a aparatului numai dacă sunt folosite accesoriile originale
- Nu continuați să folosiți benzile de șlefuire uzate, rupte sau extrem de înbăcsite

ÎNAINTEA UTILIZĂRII

- Evitați daunele provocate de șuruburi, țițe și alte elemente din timpul lucrului; înlăturați aceste elemente înainte de a trece la acțiune
- Când este utilizat, nivelul de zgomot poate depăși 85 dB(A); este necesar să purtați echipament de protecție pentru urechi
- Praful rezultat din materiale precum vopseaua care conține plumb, unele specii de lemn, minerale și metale poate fi periculos (contactul cu praful sau inhalarea acestuia poate provoca reacții alergice și/sau afecțiuni respiratorii operatorului sau persoanelor care stau în apropiere); **purtați o mască de praf și lucrați cu un dispozitiv de extragere a prafului când poate fi conectat**
- Anumite tipuri de praf sunt clasificate ca fiind cancerigene (cum ar fi praful de stejar și fag) în special în combinație cu aditivi pentru tratarea lemnului; **purtați o mască de praf și lucrați cu un dispozitiv de extragere a prafului când poate fi conectat**
- Respectați reglementările naționale referitoare la aspirația prafului în funcție de materialele de lucru folosite
- Utilizați întotdeauna mănuși de protecție, ochelari de protecție, îmbrăcăminte strânsă pe corp și articole de protecție a părului (în caz de păr lung)
- **Securizați piesa de lucru** (o piesă de lucru fixată cu clame sau într-o menghină este ținută mult mai în siguranță decât manual)
- În timpul șlefuirii de metale sunt împrăștiate scântei; nu folosiți casetă pentru praf și nu permiteți prezența altor persoane sau a unor materiale inflamabile în perimetrul de activitate

ÎN TIMPUL FUNCȚIONĂRII

- Nu atingeți benzii mobilă de șlefuire
- În cazul unor defecțiuni electrice sau mecanice deconectați imediat instrumentul și scoateți bateria

DUPĂ UTILIZARE

- Când puneți instrumentul la o parte, deconectați motorul și asigurați-vă că toate elementele mobile și-au oprit complet mișcarea

BATERIILOR

- **Bateria furnizată, dacă există, este parțial încărcată** (pentru a asigura o capacitate maximă a bateriei, încărcați-o complet utilizând încărcătorul acesteia înainte de a utiliza scula electrică pentru prima dată)
- **Utilizați numai următoarele baterii și încărcătoare cu această sculă**
 - Baterie SKIL: BR1*31****
 - Încărcător SKIL: CR1*31****
- Nu utilizați bateria dacă este avariată; aceasta trebuie înlocuită
- Nu dezasaamblați bateria
- Nu expuneți scula/bateria la ploaie
- Temperatură ambiantă admisă (instrument/încărcător/acumulator):
 - în timpul încărcării 4...40°C
 - în timpul funcționării -20...+50°C
 - în timpul depozitării -20...+50°C

EXPLICAȚIA SIMBOLURILOR DE PE INSTRUMENT/ BATERIE

- ③ Citiți manual de instrucțiuni înainte de utilizare
- ④ Bateriile vor exploda când sunt aruncate în foc, deci nu ardeți bateriile sub niciun motiv
- ⑤ Păstrați instrumentul/încărcătorul/bateria la temperaturi cuprinse între 50°C și 0°C

- ⑥ Nu aruncați sculele electrice și bateriile direct la pubelele de gunoi

UTILIZAREA

- Încărcarea bateriei
 - ! **Citiți avertismentele de siguranță și instrucțiunile care au fost furnizate împreună cu încărcătorul**
- Scoaterea/instalarea bateriilor ②
- Indicator nivel încărcare acumulator ⑦
 - apăsați butonul care indică nivelul de încărcare a bateriei E pentru a afișa nivelul actual de încărcare al bateriei ⑦a
 - ! **când nivelul minim al indicatorului bateriei începe să lumineze intermitent după apăsarea butonului E ⑦b, bateria este descărcată**
 - ! **Când 2 nivelurile indicatorului bateriei încep să lumineze intermitent după apăsarea butonului E ⑦c, bateria nu se încadrează în intervalul permis de temperatură de funcționare**
- Protecția bateriei
 - Aparatul este oprit brusc sau împiedicat să fie pornit când
 - **sarcina este prea mare** --> îndepărtați sarcina și reporniți
 - **temperatura bateriei nu se încadrează în intervalul permis de temperatură de funcționare între -20 și +50 °C** --> nivelurile 2 ale indicatorului nivelului de încărcare al bateriei încep să lumineze intermitent la apăsarea butonului E ⑦c; așteptați până când bateria revine în intervalul permis de temperatură de funcționare
 - **bateria este aproape descărcată (pentru a proteja împotriva descărcării în totalitate)** --> un nivel de încărcare scăzut al bateriei sau un nivel de încărcare scăzut al bateriei care luminează intermitent ⑦b este afișat de indicatorul nivelului de încărcare al bateriei la apăsarea butonului E; încărcați bateria
 - ! **nu continuați să apăsați comutatorul pornit/oprit după oprirea automată a mașinii; în caz contrar, bateria poate fi deteriorată**
- Montarea benzii de șlefuire ⑧
 - ! **scoateți bateria din sculă înainte de a face orice reglaje sau de a schimba accesorii**
 - ! **aspiratorul de reziduu necesită folosirea benzilor perforate de șlefuire**
 - ! **perforațiile de pe benzii de șlefuire trebuie să corespundă cu perforațiile din stativul de șlefuire**
 - ! **înlocuiți la timp benzile de șlefuire uzate**
 - ! **folosiți întotdeauna suprafață de șlefuire a instrumentului acoperiți în totalitate cu hârtie de șlefuire**
 - montați benzii de șlefuire VELCRO conform ilustrației
- Aspirarea a prafului
 - ! **nu folosiți sacul pentru praf când șlefuiți metale**
 - Sacul pentru praf ⑨
 - montați sacul pentru praf B
 - goliți regulat sacul pentru praf pentru realizarea unui randament optimal de aspirare a prafului
- Întreprupător pornit/oprit
 - schimbați întreprupătorul instrumentului în poziția conectat/deconectat prin apăsarea întreprupătorului C ② înainte/înapoi
 - ! **înainte ca suprafața de șlefuire să atingă piesa de**

**prelucrat, va trebui să porniți instrumentul
! înainte de oprirea scula, trebuie să o ridicați de pe
piesa de prelucrat**

- Мănuirea și dirijarea sculei ⑩
- ! **în timp ce lucrați, țineți întotdeauna scula de zonă
(zonele) de prindere colorate gri**
- dirijați instrumentul paralel cu suprafața de prelucrat
- nu aplicați presiune prea mare asupra instrumentului;
lăsați ca suprafața de slefuire să lucreze pentru
dumneavoastră
- nu înclinați instrumentul, pentru a evita semne nedorite
de slefuire
- mențineți fantele de ventilație D ② neacoperite

SFATURI PENTRU UTILIZARE

- Utilizați scula pentru a șlefui suprafețe mari, colțuri și
margini ①
- Nu folosiți niciodată aceeași benzii de șlefuit pentru lemn
și metal
- Granulația recomandată a foilor de șlefuire:
 - pentru îndepărtarea vopselei și șlefuirea lemnului foarte
brut utilizați granulații aspre (40, 60)
 - pentru șlefuirea lemnului brut sau neted utilizați
granulații medii (80, 100, 120)
 - pentru netezirea lemnului și a suprafețelor cu vopsea
veche, precum și finisarea lemnului neprelucrat utilizați
granulații fine (180, 240, 320)
- Utilizați diferite granulații când suprafața de prelucrat este
brută:
 - începeți șlefuirea cu o granulație aspră sau medie
 - finisați cu o granulație fină
- Pentru mai multe informații, consultați www.skil.com

ÎNȚEȚINEREA / SERVICE

- Păstrați aparatul și cablul curat (mai ales fantele de
ventilație D ②)
 - înlăturați cu o perie praful rămas de la șlefuire
 - scoateți bateria din scula electrică înainte de curățare
- Dacă în ciuda procedurilor de fabricație și control
riguroase scula are totuși o pană, repararea acesteia se
va face numai la un atelier de asistență service autorizat
pentru scule electrice SKIL
 - trimiteți scula **în totalitatea lui** cu bonul de cumpărare
la distribuitorul sau la centrul de service SKIL cel mai
apropiat (adrese și diagrame de service se găsesc la
www.skil.com)
- Trebuie să fiți conștienți de faptul că deteriorarea datorată
suprasarcinii sau utilizării incorecte a sculei vor fi excluse
din garanție (pentru condițiile de garanție SKIL consultați
www.skil.com sau întrebați distribuitorul)

MEDIUL

- **Nu aruncați sculele electrice, bateriile, accesoriile
sau ambalajele direct la pubelele de gunoi** (numai
pentru țările din Comunitatea Europeană)
 - Directiva Europeană 2012/19/EC face referire la modul
de aruncare a echipamentelor electrice și electronice
și modul de aplicare a normelor în conformitate cu
legislația națională; sculele electrice în momentul în
care au atins un grad avansat de uzură și trebuie aruncate,
ele trebuie colectate separat și reciclate
într-un mod ce respectă normele de protecție a

mediului inconjurător

- simbolul ⑥ vă va reaminti acest lucru
- ! **înainte aruncare protejați terminalele bateriei
cu lentă protectoare pentru a preîntâmpina
scurtcircuitul**

ZGOMOT / VIBRAȚII

- Măsurate în conformitate cu EN 62841, nivelul de
presiune sonoră a acestui instrument este 82 dB(A)
și nivelul de zgomot 90 dB(A) (incertitudinea K = 3
dB) și vibrația 3,46 m/s² (suma vectorială triaxială;
incertitudinea K = 1,5 m/s²)
- Nivelul emisiilor de vibrații a fost măsurat în conformitate
cu un test standardizat precizat în EN 62841; poate fi
folosit pentru a compara o sculă cu alta și ca evaluare
preliminară a expunerii la vibrații atunci când folosiți scula
pentru aplicațiile menționate
 - utilizarea sculei pentru aplicații diferite sau cu accesorii
diferite și prost întreținute poate **crește** semnificativ
nivelul de expunere
 - momentele în care scula este oprită sau când
funcționează dar nu execută nicio lucrare, pot **reduce**
semnificativ nivelul de expunere
- ! **protejați-vă împotriva efectelor vibrațiilor prin
întreținerea sculei și a accesoriilor sale, păstrând
mâinile calde și organizând procesele de lucru**

BG

**Безщетков акумулаторен
мултишлайф** 3715

УВОД

- Този инструмент е предназначен за сухо шлифоване
на дърво, пластмаса, метал, запълващ материал и
боядисани повърхности
- Този инструмент не е предназначен за шлифоване
на гипс
- Прочетете и пазете това ръководство за работа ③

ТЕХНИЧЕСКИ ДАННИ ①

ЕЛЕМЕНТИ НА ИНСТРУМЕНТА ②

- A Подложки
- B Торбичката за прах
- C Прекъсвач за включване/изключване
- D Вентилационните отвори
- E Индикатор за капацитета на батерията

БЕЗОПАСНОСТ

**ОБЩИ УКАЗАНИЯ ЗА БЕЗОПАСНА РАБОТА С
ЕЛЕКТРОИНСТРУМЕНТИ**

⚠ ПРЕДУПРЕЖДЕНИЕ Прочете всички
предупреждения за безопасност, инструкции,
илюстрации и спецификации, доставени с този
електроинструмент. Неспазването на всички описани
по-долу инструкции може да доведе до токов удар,
пожар и/или тежко нараняване.

Запазете всички предупреждения и указания за

ползване в бъдеще.

Използваният по-долу термин "електроинструмент" се отнася до захранвани от електрическата мрежа електроинструменти (със захранващ кабел) и до захранвани от акумулаторна батерия електроинструменти (без захранващ кабел).

1) БЕЗОПАСНОСТ НА РАБОТНОТО МЯСТО

- a) **Поддържайте работното си място чисто и подредено.** Безпорядъкът или недостатъчното осветление могат да спомогнат за възникването на трудова злополука.
- b) **Не работете с електроинструмента в среда с повишена опасност от възникване на експлозия, в близост до леснозапалими течности, газове или прахообразни материали.** По време на работа в електроинструментите се отделят искри, които могат да възпламенят прахообразни материали или пари.
- c) **Дръжте деца и странични лица на безопасно разстояние, докато работите с електроинструмента.** Ако вниманието Ви бъде отклонено, може да загубите контрола над електроинструмента.

2) БЕЗОПАСНОСТ ПРИ РАБОТА С ЕЛЕКТРИЧЕСКИ ТОК

- a) **Щепселът на електроинструмента трябва да е подходящ за ползвания контакт. В никакъв случай не се допуска изменяне на конструкцията на щепсела. Когато работите със занулени електроуреди, не използвайте адаптери за щепсела.** Ползването на оригинални щепсели и контакти намалява риска от възникване на токов удар.
 - b) **Избягвайте допира на тялото Ви до заземени тела, напр. тръби, отоплителни уреди, пещи и хладилници.** Когато тялото Ви е заземено, рискът от възникване на токов удар е по-голям.
 - c) **Предпазвайте електроинструмента си от дъжд и влага.** Проникването на вода в електроинструмента повишава опасността от токов удар.
 - d) **Не използвайте захранващия кабел за цели, за които той не е предвиден, напр. за да носите електроинструмента за кабела или да извадите щепсела от контакта. Предпазвайте кабела от нагряване, омасляване, допир до остри ръбове или до подвижни звена на машини. Повредени или усукани кабели увеличават риска от възникване на токов удар.**
 - e) **Когато работите с електроинструмент навън, използвайте само удължителни кабели, предназначени за работа на открито.** Използването на удължител, предназначен за работа на открито, намалява риска от възникване на токов удар.
 - f) **Ако се налага използването на електроинструмента във влажна среда, използвайте предпазен прекъсвач за утечни токове.** Използването на предпазен прекъсвач за утечни токове намалява опасността от възникване на токов удар.
- ### 3) БЕЗОПАСЕН НАЧИН НА РАБОТА

- a) **Бъдете концентрирани, следете внимателно действията си и постъпвайте предпазливо и разумно. Не използвайте електроинструмента, когато сте уморени или под влиянието на наркотични вещества, алкохол или упойващи лекарства.** Един миг разсеяност при работа с електроинструмент може да има за последствие изключително тежки наранявания.
 - b) **Работете с предпазващо работно облекло и винаги с предпазни очила.** Носенето на подходящ за ползвания електроинструмент и извършваната дейност лични предпазни средства, като дихателна маска, здрави плътнотязворени обувки със стабилен грайфер, защитна каска или шумозаглушители (антифони), намалява риска от възникване на трудова злополука.
 - c) **Избягвайте опасността от включване на електроинструмента по невнимание. Преди да включите щепсела в захранващата мрежа или да поставите акумулаторната батерия, се уверявайте, че пусковият прекъсвач е в положение изключено.** Ако, когато носите електроинструмента, държите пръста си върху пусковия прекъсвач, или ако подавате захранващо напрежение на електроинструмента, когато е включен, съществува опасност от възникване на трудова злополука.
 - d) **Преди да включите електроинструмента, се уверявайте, че сте отстранили от него всички помощни инструменти и гаечни ключове.** Помощен инструмент, забравен на въртящо се звено, може да причини травми.
 - e) **Не надценявайте възможностите си. Работете в стабилно положение на тялото и във всеки момент поддържайте равновесие.** Така ще можете да контролирате електроинструмента по-добре и по-безопасно, ако възникне неочаквана ситуация.
 - f) **Работете с подходящо облекло. Не работете с широки дрехи или украшения. Дръжте носата и дрехите си на безопасно разстояние от движещи се звена.** Широките дрехи, украшенията, дългите коси могат да бъдат захванати и увлечени от въртящи се звена.
 - g) **Ано е възможно използването на външна аспирационна система, се уверявайте, че тя е включена и функционира изправно.** Използването на аспирационна система намалява рисковете, дължащи се на отделящата се при работа прах.
 - h) **Доброто познаване на електроинструмента вследствие на честа работа с него не е повод за намаляване на вниманието и пренебрегване на мерките за безопасност.** Едно невнимателно действие може да предизвика тежки наранявания само за части от секундата.
- ### 4) ВНИМАТЕЛНО ОТНОШЕНИЕ КЪМ ЕЛЕКТРОИНСТРУМЕНТИ
- a) **Не претоварвайте електроинструмента. Използвайте електроинструментите само съобразно тяхното предназначение.** Ще работите по-добре и по-безопасно, когато използвате подходящия електроинструмент в зададения от производителя диапазон на натоварване.

- b) **Не използвайте електроинструмент, чиито пусков пренъсвач е повреден.** Електроинструмент, който не може да бъде изключван и включван по предвидения от производителя начин, е опасен и трябва да бъде ремонтиран.
- c) **Преди да извършвате каквито и да е дейности по електроинструмента, напр. настройване, смяна на работен инструмент, както и когато го прибирате, изключвайте щепсела от контакта, респ. изваждайте батерията, ако е възможно.** Тази мярка премахва опасността от задействане на електроинструмента по невнимание.
- d) **Съхранявайте електроинструментите на места, където не могат да бъдат достигнати от деца. Не допускайте те да бъдат използвани от лица, които не са запознати с начина на работа с тях и не са прочели тези инструкции.** Когато са в ръцете на неопитни потребители, електроинструментите могат да бъдат изключително опасни.
- e) **Поддържайте добре електроинструментите си и аксесоарите им. Проверявайте дали подвижните звена функционират безукорно, дали не заклинват, дали има счупени или повредени детайли, които нарушават или изменят функциите на електроинструмента. Преди да използвате електроинструмента, се погрижете повредените детайли да бъдат ремонтирани.** Много от трудовите злополуки се дължат на недобре поддържани електроинструменти и уреди.
- f) **Поддържайте режещите инструменти винаги добре заточени и чисти.** Добре поддържаните режещи инструменти с остри ръбове оказват по-малко съпротивление и се водят по-леко.
- g) **Използвайте електроинструментите, допълнителните приспособления, работните инструменти и т.н., съобразно инструкциите на производителя. С дейности и процедури, евентуално предписани от различни нормативни документи.** Използването на електроинструменти за различни от предвидените от производителя приложения повишава опасността от възникване на трудови злополуки.
- h) **Поддържайте дръжките и ръкохватните сухи, чисти и неомаслени.** Хлъзгавите дръжки и ръкохватки не позволяват безопасна работа и доброто контролиране на електроинструмента при възникване на неочаквана ситуация.
- 5) **ВНИМАТЕЛНО ОТНОШЕНИЕ КЪМ АКУМУЛАТОРНИ ЕЛЕКТРОИНСТРУМЕНТИ**
- a) **За зареждането на акумулаторните батерии използвайте само зарядните устройства, препоръчвани от производителя.** Когато използвате зарядни устройства за зареждане на неподходящи акумулаторни батерии, съществува опасност от възникване на пожар.
- b) **За захранване на електроинструментите използвайте само предвидените за съответния модел акумулаторни батерии.** Използването на различни акумулаторни батерии може да предизвика трудова злополука и/или пожар.
- c) **Предпазвайте неизползваните акумулаторни батерии от контакт с големи или малки метални предмети, напр. кламери, монети, ключове,**

- пирони, винтове и др.п., тъй като те могат да предизвикат късо съединение. Последствията от късото съединение могат да бъдат изгаряния или пожар.
- d) **При неправилно използване от акумулаторна батерия от нея може да изтече електролит. Избягвайте контакта с него. Ако въпреки това на кожата Ви попадне електролит, изланнете мястото обилно с вода. Ако електролит попадне в очите Ви, незабавно се обърнете за помощ към очен лекар.** Електролитът може да предизвика изгаряния на кожата.
- e) **Не използвайте акумулаторна батерия или електроинструмент, които са повредени или с изменена конструкция.** Повредени или изменени акумулаторни батерии могат да се възпламенят, експлодират или да предизвикат наранявания.
- f) **Не излагайте акумулаторната батерия на високи температури или огън.** Излагането на огън или температури над 130°C могат да предизвикат експлозии.
- g) **Спазвайте всички указания за зареждане на акумулаторната батерия; не я зареждайте, ако температурата ѝ е извън диапазона, посочен в инструкциите.** Неправилното зареждане или зареждането при температури извън допустимия диапазон могат да уредят батерията и увеличават опасността от пожар.
- 6) **ПОДДЪРЖАНЕ**
- a) **Допускайте ремонтът на електроинструментите Ви да се извършва само от квалифицирани специалисти и само с използването на оригинални резервни части.** По този начин се гарантира съхраняване на безопасността на електроинструмента.
- b) **Никога не ремонтирайте повредени акумулаторни батерии.** Ремонтът на акумулаторни батерии трябва да се извършва само от производителя или от оторизиран сервиз.

УКАЗАНИЯ ЗА БЕЗОПАСНА РАБОТА ЗА ШЛИФОВЪЧНА МАШИНИ

ОБЩИ

- Машината не трябва да се използва от лица под 16 години
- Уредът не е подходящ за мокро шлифоване
- **Не обработвайте азбестосъдържащ материал** (азбестът е канцерогенен)
- Изваждайте батерията от инструмента преди всякакви регулировки или смяна на принадлежности

АКСЕСОАРИ

- SKIL може да осигури безаварийна работа на електроинструмента само ако се използват оригинални допълнителни приспособления
- Не използвайте износени, разкъсани или силно замърсени шлифовъчни листове

ПРЕДИ УПОТРЕБА

- Избягвайте повреди, които могат да бъдат причинени от винтове, гвоздеи и други метални елементи в обработвания детайл; отстранете ги преди да започнете работа
- При работа нивото на шума може да надвиши 85 dB(A); носете анттифони

- Прахът от някои материали, като например съдържаща олово боя, някои видове дървесина, минерали и метали може да бъде вреден (контакт или вдишване на такъв прах могат да причинят алергични реакции и/или респираторни заболявания на оператора или стоящите наблизо лица); **използвайте противопрахова маска и работете с аспириращо прахта устройство, когато такова може да бъде свързано**
- Определени видове прах са класифицирани като карциногенни (като прах от дъб и бук) особено когато са комбинирани с добавки за подобряване на състоянието на дървесината; **използвайте противопрахова маска и работете с аспириращо прахта устройство, когато такова може да бъде свързано**
- Следвайте дефинираните по БДС изисквания относно запрашеността за материалите, които желаете да обработвате
- Носете предпазни ръкавици, очила за безопасност, прилепващо по тялото облекло и вземете предпазни мерки за косата си (при дълга коса)
- **Обезопасете работния материал** (материал, затегнат в затягащ инструмент или в менгеме е по-устойчив, отколкото ако се държи в ръка)
- При шлифване на метал се образуват искри; не използвайте колектор за прах и дръжте други лица и възпламеняващ се материал извън обсега на действие

ПРИ УПОТРЕБА

- Не докосвайте шлифовъчния лист
- В случай на електрическа или механична неизправност изключете незабавно инструмента и извадете батерията

СЛЕД РАБОТА

- Преди да приберете инструмента, изключете мотора и се уверете, че всички движещи се части са преустановили движението

БАТЕРИИ

- **Доставената в комплекта батерия е частично заредена** (за да осигурите пълен капацитет на батерията, заредете напълно батерията в зарядното устройство за батерия, преди да използвате вашия електроинструмент за първи път)
- **Използвайте само следните батерии и зарядни устройства с този инструмент**
- SKIL батерия: BR1*31****
- SKIL зарядно устройство: CR1*31****
- Не използвайте батерията, когато е повредена; тя трябва да бъде заменена
- Не разглобявайте батерията
- Не излагайте на дъжд инструмента/батерията
- Допустима околна температура (инструмент/ зарядното устройство/батерия):
- при зареждане 4...40°C
- по време на работа -20...+50°C
- при съхраняване -20...+50°C

ОБЪСНЕНИЕ НА СИМВОЛИТЕ ПО ИНСТРУМЕНТА/ АКУМУЛАТОРНАТА БАТЕРИЯ

- ③ Преди употреба прочетете ръководството с указания
- ④ Хвърлен в огън, акумулаторът ще експлодира, така че не изгаряйте акумулатора по каквато и да е причина
- ⑤ Съхранявайте инструмента/зарядното устройство/ батерията в помещението при температури, не

по-високи от 50°C

- ⑥ Не изхвърляйте електроуредите и батерии заедно с битови отпадъци

УПОТРЕБА

- Зареждане на акумулатора
! прочетете предупрежденията и инструкциите за безопасност, доставени със зарядното устройство
- Изваждане/поставяне на батерията ②
- Индикатор за капацитета на батерията ⑦
- натиснете бутона за индикатор на нивото на заряд на батерията Е за показване на текущото ниво на заряд на батерията ⑦а
! когато най-ниското ниво на индикатора за заряд на батерията започне да мига след натискане на бутона Е ⑦b, батерията е празна
! когато 2 нивата на индикатора за заряд на батерията започнат да мигат след натискане на бутона Е ⑦c, батерията не е в допустимия работен температурен диапазон
- Защита на батерията
Инструментът внезапно се изключва или не позволява да се включи, когато
- **натоварването е прекалено голямо** --> премахнете натоварването и рестартирайте
- **температурата на батерията е извън допустимия работен температурен диапазон от -20 до +50°C** --> 2 нивата на индикатора за заряд на батерията започват да мигат, когато натискате бутона Е ⑦c; изчакайте, докато батерията си възвърне допустимия работен температурен диапазон
- **батерията е почти празна (за предпазване срещу пълно разреждане)** --> ниско ниво на батерията или мигащо ниско ниво на батерията ⑦b е показано чрез индикатора за заряд на батерията, когато натискате бутона Е; заредете батерията
! след автоматичното изключване на инструмента не продължавайте да натискате спусъка, понеже може да се повреди акумулаторът
- Поставяне на шлифовъчния лист ⑧
! изваждайте батерията от инструмента преди всякакви регулировки или смяна на принадлежности
! прахоизсмукването изисква използването на перфорирани шлифовъчни листове
! перфорацията на шлифовъчния лист трябва да съвпадне с перфорацията в шлифовъчната основа
! сменяйте своевременно износените шлифовъчни листове
! използваните апарата с цялата шлифовъчна повърхност винаги напълно покрита с шлифовъчен лист
- монтирайте шлифовъчния лист от ВЕЛПРО, както е показано
- Изсмукване на праха
! не използвайте торбичката за прах при шлифване на метал
Торбичката за прах ⑨

- монтирайте торъчката за стружки В
- изпразвайте торъчката за прах редовно за оптимален резултат при прахоизсмукването
- Прекъсвач за включване/изключване
 - включвайте/изключвайте апарата като придвижвате ключ С ② съответно напред/назад
 - ! включете апарата преди да докосне работната повърхност**
 - ! преди да изключите инструмента, трябва да я вдигнете от работната повърхност**
- Държане и насочване на инструмента ⑩
 - ! по време на работа, винаги дръжте уреда за оцветената(ите) в сиво зона(и) за хващане**
 - движете апарата успоредно на работната повърхност
 - не упражнявайте особен натиск върху апарата; оставете шлифовъчната повърхност сама да върши работа
 - не повдигайте апарата за да предотвратите нежелателни следи по работната повърхност
 - оставяйте вентилационните отвори D ② непокрити

УКАЗАНИЯ ЗА РАБОТА

- Използвайте инструмента за шлифване на големи повърхности, тъгли и ръбове ⑪
- Не използвайте никога един и същи шлифовъчен лист за дърво и метал
- Препоръчва се шлифовъчна хартия със следната зърнистост:
 - за остраняване на боя и за шлифване на много необработено дърво, използвайте груби едрозърнести пясъчинки с размери (40, 60)
 - за шлифване на необработено или обикновено дърво, използвайте средни едрозърнести пясъчинки с размери (80, 100, 120)
 - за изглаждане на дървен материал и повърхности със стара боя, както и за окончателно обработване на голо дърво, използвайте фини пясъчинки с размери (180, 240, 320)
- Използвайте при грапава повърхност различна зърнистост на шлифовъчната хартия:
 - започнете с едра и средна зърнистост
 - завършете политурата с фина зърнистост
- За повече информация вижте www.skil.com

ПОДДРЪЖКА / СЕРВИЗ

- Поддържайте винаги електроинструмента и хранящия кабел чисти (особено вентилационните отвори D ②)
 - почиствайте полепил се сружков прах с четка
 - извадете батерията от инструмента преди почистване
- Ако въпреки прецизното производство и внимателно изпитване възникне повреда, инструмента да се занесе за ремонт в оторизиран сервиз за електроинструменти на SKIL
 - занесете инструмента в **неразглобен вид** заедно с доказателство за покупката му в търговския обект, откъдето сте го закупили, или в най-близкия сервиз на SKIL (адресите, както и схемата за сервизно обслужване на електроинструмента, можете да намерите на адрес www.skil.com)

- Имайте предвид, че повреда поради претоварване или неправилно манипулиране с инструмента ще бъдат изключени от гаранцията (за условията на гаранцията от SKIL виж на интернет адрес: www.skil.com или попитайте вашия дилър)

ОПАЗВАНЕ НА ОКОЛНАТА СРЕДА

- **Не изхвърляйте електроуредите, батерии, приспособленията и опанковите заедно с битови отпадъци** (само за страни от ЕС)
 - съобразно Директивата на ЕС 2012/19/EG относно износени електрически и електронни уреди и отразяването ѝ в националното законодателство износените електроуреди следва да се събират отделно и да се предават за рециклиране според изискванията за опазване на околната среда
 - за това указва символът ⑥ тогава когато трябва да бъдат унищожени
 - ! преди да изхвърлите батерията, защитете изходите ѝ с дебела лепенка, за да няма опасност от възникване на късо съединение**

ШУМ / ВИБРАЦИИ

- Измерено в съответствие с EN 62841, нивото на звуковото налягане на този инструмент е 82 dB(A), а нивото на звуковата мощност 90 dB(A) (неопределеност K = 3 dB), и вибрацията 3,46 m/s² (триаксална векторна сума; неопределеност K = 1,5 m/s²)
- Нивото на предадените вибрации е измерено в съответствие със стандартизирания тест, определен в EN 62841; то може да се използва за сравнение на един инструмент с друг и като предварителна оценка на подлагането на вибрации при използването на инструмента за посочените приложения
 - използването на инструмента за различни от тези приложения или с други, или лошо поддържани аксесоари може значително **да повиши** нивото на което сте подложени
 - периодите от време, когато инструмента е изключен или съответно включен, но с него не се работи в момента могат значително **да намалят** нивото на което сте подложени
 - ! предпазвайте се от ефентите от вибрациите, като поддържате инструмента и аксесоарите му, пазите ръцете си топли и организирате вашите модели на работа**

SK

Bezdrôtová multifunkčná brúska 3715 bez komutátora

ÚVOD

- Tento nástroj je určený na suché brúsenie drevených, plastových, kovových, náterových a lakovaných povrchov
- Tento nástroj nie je vhodný na brúsenie omietok
- Prečítajte a uschovajte tento návod na použitie ③

TECHNICKÉ ÚDAJE ①

ČASTI NÁSTROJA ②

- A Brúsný tanier
- B Prachové vrecko
- C Vypínač zapnutie/vypnutie
- D Vetracie štrbiny
- E Indikátor nabitia akumulátora

BEZPEČNOSŤ

VŠEOBECNÉ BEZPEČNOSTNÉ UPOZORNENIA TÝKAJÚCE SA ELEKTRICKÉHO NÁRADIA

⚠ VÝSTRAHA Prečítajte si všetky bezpečnostné výstrahy, pokyny, ilustrácie a technické údaje, ktoré sú dodané s týmto elektrickým nástrojom. Nedodržanie všetkých nižšie uvedených pokynov môže viesť k poraneniu elektrickým prúdom, požiaru a/alebo vážnemu poraneniu.

Všetky upozornenia a pokyny si odložte na ďalšie použitie.

Pojem „elektrické náradie“ používaný v nasledujúcom texte sa vzťahuje na ručné elektrické náradie napájané zo siete (s prírodnou šnúrou) a na ručné elektrické náradie napájané akumulátorovou batériou (bez prírodnej šnúry).

1) BEZPEČNOSŤ NA PRACOVISKU

- a) **Udržiavajte svoje pracovisko čisté a upratané.** Neporiadok na pracovisku alebo neosvetlené časti pracoviska môžu viesť k úrazom.
- b) **Nepracujte elektrickým náradím v prostredí ohrozenom výbuchom, v ktorom sa nachádzajú horľavé kvapaliny, plyny alebo prach.** Elektrické náradie produkuje iskry, ktoré môžu prach alebo pary zapáliť.
- c) **Deti a iné osoby udržiavajte počas práce od ručného elektrického náradia v dostatočnej vzdialenosti.** V prípade odpútania Vašej pozornosti by ste mohli stratiť kontrolu nad náradím.

2) ELEKTRICKÁ BEZPEČNOSŤ

- a) **Zástrčka prírodnej šnúry sa musí hodiť do napájacej zásuvky. Zástrčka sa v žiadnom prípade nesmie meniť. Pri uzemnených spotrebičoch nepoužívajte spolu s nimi žiadne adaptéry.** Nezmenená zástrčka a vhodná zásuvka znižujú riziko zásahu elektrickým prúdom.
- b) **Vyhýbajte sa telesnému kontaktu s povrchovými plochami uzemnených spotrebičov, ako sú elektrické rúry, vyhrievacie telesá, sporáky a chladničky.** Keď je Vaše telo uzemnené, riziko zásahu elektrickým prúdom je vyššie.
- c) **Chráňte ručné elektrické náradie pred dažďom a vlhkom.** Vniknutie vody do ručného elektrického náradia zvyšuje riziko zásahu elektrickým prúdom.
- d) **Nepoužívajte prírodnú šnúru na prenášanie náradia, na jeho vešanie, ani za ňu nevyťahujte zástrčku zo zásuvky. Prírodnú šnúru chráňte pred horúčavou, olejom, ostrými hranami alebo pohybujúcimi sa časťami náradia.** Poškodené alebo zauzlené šnúry zvyšujú riziko zásahu elektrickým prúdom.
- e) **Ak pracujete s ručným elektrickým náradím vonku, používajte len také predĺžovacie šnúry, ktoré sú schválené pre používanie vo vonkajších priestoroch.** Používanie predĺžovacej šnúry určenej do

vonkajšieho prostredia znižuje riziko zásahu elektrickým prúdom.

- f) **Ak sa nedá vyhnúť použitiu ručného elektrického náradia vo vlhkom prostredí, použite prerušovač uzemňovacieho obvodu.** Používanie prerušovača uzemňovacieho obvodu znižuje riziko zásahu elektrickým prúdom.

3) BEZPEČNOSŤ OSÔB

- a) **Buďte pozorní, dávajte pozor na to, čo robíte a k práci s elektrickým náradím pristupujte rozumne. Nepoužívajte elektrické náradie, keď ste unavení alebo keď ste pod vplyvom drog, alkoholu alebo liekov.** Chvíľa nepozornosti pri používaní náradia môže viesť k vážnym poraneniam.
 - b) **Noste osobné ochranné pomôcky, ochranný odev a vždy majte nasadené ochranné okuliare.** Nosenie pracovného odevu a používanie ochranných pomôcok ako ochrannej dýchacej masky, bezpečnostných protišmykových topánok, prilby alebo chrániča sluchu, podľa druhu elektrického náradia, znižuje riziko poranenia.
 - c) **Vyhýbajte sa neúmyselnému uvedeniu ručného elektrického náradia do činnosti. Pred zasunutím zástrčky do zásuvky a/alebo pred pripojením akumulátora, pred chytením alebo prenášaním ručného elektrického náradia sa vždy presvedčte sa, či je ručné elektrické náradie vypnuté.** Ak budete mať pri prenášaní ručného elektrického náradia prst na vypínači, alebo ak ručné elektrické náradie pripojíte na elektrickú sieť zapnutú, môže to mať za následok nehodu.
 - d) **Skôr ako ručné elektrické náradie zapnete, odstráňte nastavovacie a montážne nástroje.** Nástroj alebo kľúč, ktorý sa nachádza v pohyblivej časti náradia, môže spôsobiť poranenie.
 - e) **Neprečeňte sa. Zabezpečte si pevný postoj a neprestajne udržiavajte rovnováhu.** Taktó budete môcť ručné elektrické náradie v neočakávaných situáciách lepšie kontrolovať.
 - f) **Pri práci noste vhodný pracovný odev. Nenoste široké odevy a nemajte na sebe šperky. Vyvarujte sa toho, aby sa vaše vlasy a odev dostali do blízkosti pohyblivých častí.** Voľný odev, dlhé vlasy alebo šperky môžu byť zachytené rotujúcimi časťami ručného elektrického náradia.
 - g) **Ak možno namontovať zariadenie na odsávanie alebo zachytávanie prachu, presvedčte sa, či je pripojené a správne používané.** Používanie odsávacieho zariadenia a zariadenia na zachytávanie prachu znižuje riziko ohrozenia zdravia prachom.
 - h) **Nepodliehajte falošnému pocitu istoty získanej z častého používania náradia a nekonajte v rozpore s princípmi bezpečného používania náradia.** Nepozorná práca môže v priebehu zlomkov sekundy viesť k ťažkému poraneniu.
- #### 4) STAROSTLIVÉ ZAOBCHÁDZANIE S ELEKTRICKÝM NÁRADÍM A JEHO POUŽÍVANIE
- a) **Náradie nepreťažujte. Pre svoju prácu používajte určené elektrické náradie.** Pomocou vhodného ručného elektrického náradia budete môcť v uvedenom rozsahu výkonu pracovať lepšie a bezpečnejšie.
 - b) **Nepoužívajte žiadne ručné elektrické náradie, ktoré má pokazený vypínač.** Ručné elektrické náradie, ktoré

sa už nedá zapínať alebo vypínať, je nebezpečné a treba ho dať opraviť.

- c) **Skôr ako začnete náradie nastavovať alebo prestavovať, vymieňať príslušenstvo alebo odložiť náradie, vždy vyťahnite koncovku sieťovej šnúry zo zásuvky a/alebo vyberte akumulátor, ak sa dá vybrať.** Toto preventívne opatrenie zabraňuje neúmyselnému spusteniu ručného elektrického náradia.
- d) **Nepoužívané ručné elektrické náradie uschovávajú mimo dosahu detí. Nedopusťte, aby ručné elektrické náradie používali osoby, ktoré s ním nie sú dôkladne oboznámené, alebo ktoré si neprečítali tento Návod na používanie.** Ak ručné elektrické náradie používajú neskúsené osoby, stáva sa nebezpečným nástrojom.
- e) **Ručné elektrické náradie a príslušenstvo starostlivo ošetrte.** Skontrolujte, či pohyblivé súčiastky náradia bezchybne fungujú a neblokujú a či nie sú zlomené alebo poškodené niektoré súčiastky, ktoré by mohli negatívne ovplyvniť fungovanie ručného elektrického náradia. Pred použitím ručného elektrického náradia dajte poškodené súčiastky opraviť. Nejednen úraz bol spôsobený zle udržiavaným náradím.
- f) **Používané nástroje udržiavajte ostré a čisté.** Starostlivo ošetrované nástroje s ostrými reznými hranami sa menej často zablokujú a ich vedenie je podstatne ľahšie.
- g) **Používajte ručné elektrické náradie, príslušenstvo, pracovné nástroje a pod. podľa týchto pokynov. Zohľadnite pritom konkrétne pracovné podmienky a činnosť, ktorú máte vykonať.** Používanie ručného elektrického náradia na iné ako určené účely môže viesť k nebezpečným situáciám.
- h) **Rukováti a úchopové povrchy udržiavajte suché, čisté a bez oleja alebo mazacieho tuku.** Šmykľavé rukováti a úchopové povrchy neumožňujú bezpečnú manipuláciu u ovládanie náradia v neočakávaných situáciách.
- 5) **STAROSTLIVÉ ZAOBCHÁDZANIE S ELEKTRICKÝM NÁRADÍM NAPÁJANÝM AKUMULÁTOROM A JEHO POUŽÍVANIE**
 - a) **Akumulátory nabíjajte len v takých nabíjačkách, ktoré odporúča výrobca.** Ak nabíjate nabíjačkou určenou pre určitý druh akumulátorov iné akumulátory, hrozí nebezpečenstvo požiaru.
 - b) **Do ručného elektrického náradia používajte len určené akumulátory.** Používanie iných akumulátorov môže mať za následok poranenie, alebo môže spôsobiť vznik požiaru.
 - c) **Keď akumulátor nepoužívate, zabezpečte, aby sa nemohol dostať do styku s kancelárskymi sponami, mincami, klúčmi, klincami, skrutkami alebo inými drobnými predmetmi, ktoré by mohli spôsobiť premostenie kontaktov.** Skrat medzi kontaktmi akumulátora môže spôsobiť popálenie alebo požiar.
 - d) **Ak sa akumulátor používa nevhodne, môže z neho unikáť kvapalina.** Vyhybajte sa kontaktu s ňou. V prípade náhodného kontaktu umyte postihnuté miesto vodou. Ak sa dostane akumulátorová kvapalina do očí, vyhľadajte okrem toho aj lekársku pomoc. Vytiekajúca kvapalina môže spôsobiť podráždenie pokožky alebo popálenie.
 - e) **Nepoužívajte poškodený alebo upravený akumulátor alebo náradie.** Poškodené alebo upravené akumulátory môžu neočakávane reagovať a

spôsobiť požiar, výbuch alebo zranenie.

- f) **Akumulátory alebo náradie nevhádzajte do ohňa alebo nevystavujte nadmerným teplotám.** Vystavenie pôsobeniu ohňa alebo teploty nad 130°C môže spôsobiť výbuch.
- g) **Dodržujte pokyny na nabíjanie a akumulátory alebo náradie nenabíjajte mimo teplotného rozsahu uvedeného v pokynoch.** Nesprávne nabíjanie alebo teploty mimo špecifikovaného rozsahu môžu poškodiť akumulátor a zvýšiť riziko požiaru.
- 6) **SERVIS**
 - a) **Ručné elektrické náradie zverte do opravy len kvalifikovanému personálu a používajte len originálne náhradné súčiastky.** Tým sa zabezpečí zachovanie bezpečnosti ručného elektrického náradia.
 - b) **Nikdy neopravujte poškodené akumulátory.** Akumulátory môže opravovať len výrobca alebo autorizovaný servis.

BEZPEČNOSTNÉ POKYNY PRE BRÚSKY

VŠEOBECNE

- Tento nástroj by nemali používať osoby mladšie ako 16 rokov
- Tento nástroj sa nehodí na brúsenie vlhkého povrchu
- **Neobrábajte materiál, ktorý obsahuje azbest** (azbest sa považuje za rakovinotvorný materiál)
- Pred nastavením alebo výmenou príslušenstva alebo vždy vyťahnite batériu

PRÍSLUŠENSTVO

- SKIL zabezpečí hladký chod nástroja len ak sa používa pôvodné príslušenstvo
- Nepoužívajte opotrebené, poťhané alebo silne znečistené brúsne plochy

PRED POUŽITÍM

- Zabráňte poškodeniu náradia skrutkami, klincami a inými kovovými predmetmi v obrobk; zoberte ich dole prv než začnete pracovať
- Hlasitosť zapnutého prístroja môže byť viac aké 85 dB(A); chráňte si uši ochrannými krycimi prostriedkami
- Prach z materiálu, akým je náter obsahujúci olovo, niektoré druhy dreva, minerály a kovy môže byť škodlivý (styk alebo nadýchanie prachu môže spôsobiť alergické reakcie a/alebo respiračné ochorenia obsluhy a okolostojacich osôb); **používajte ochrannú masku tváre a pracujte so zariadením na odsávanie prachu, ak je takéto zariadenie možné pripojiť**
- Určité druhy prachu sú klasifikované ako karcinogénne (akým dubový a bukový prach), a to hlavne v spojení s prísadami pre úpravu dreva; **používajte ochrannú masku tváre a pracujte so zariadením na odsávanie prachu, ak je takéto zariadenie možné pripojiť**
- Dodržujte stanovené nariadenia pre prácu v prašnom prostredí
- Používajte ochranné rukavice, ochranné okuliare, priliehavý oblek a v prípade dlhých vlasov aj pokrývku hlavy
- **Zaistíte obrábaný diel** (obrábaný diel uchytený pomocou upínacích zariadení alebo vo zveráku je oveľa bezpečnejší kým v ruke)
- Pri brúsení sa tvoria iskry; nepoužívajte prachová schránka a dbajte na to, aby sa v pracovnom priestore nezdržovala iná osoba a nebol horľavý materiál

POČAS PRÁCE

- Nedotýkajte sa pohyblivej brúsnej plochy

- V prípade elektrickej alebo mechanickej poruchy zastavte okamžite nástroj a vyťahnite batériu

PO PRÁCI

- Skôr než nástroj položíte, presvedčte sa že je motor vypnutý a že sú všetky pohyblivé súčiastky zastavené

BATÉRIÍ

- **Dodaná batéria je prípadne čiastočne nabitá** (na zaručenie úplnej kapacity batérie ju pred prvým používaním nástroja úplne nabite v nabíjačke)
- **S týmto nástrojom používajte len nasledujúce batérie a nabíjačky**
 - Batéria SKIL: BR1*31****
 - Nabíjačka SKIL: CR1*31****
- Nepoužívajte batériu, keď je poškodená; mala by sa vymeniť
- Batériu nerozoberajte
- Nástroj ani batériu nevystavujte dažďu
- Povolená teplota okolia (nástroj/nabíjačka/akumulátor):
 - pri nabíjaní 4...40°C
 - pri prevádzke -20...+50°C
 - pri skladovaní -20...+50°C

VYSVETLENIE SYMBOLOV UMiestnených NA NÁSTROJI/AKUMULÁTORE

- ③ Pred použitím si prečítajte návod na obsluhu
- ④ Batérie po vzhodení do ohňa vybuchnú a preto batériu zo žiadneho dôvodu do ohňa nevhadzujte
- ⑤ Nástroj, nabíjačku a batériu skladujte na miestach, kde teplota neprekročí 50°C
- ⑥ Nevyhadzujte elektrické náradie a batérie do komunálneho odpadu

POUŽITIE

- Nabíjanie batérie
 - ! **prečítajte si bezpečnostné výstrahy a pokyny dodané s nabíjačkou**
- Vybíjanie/vloženie batérie ⑦
- Indikátor nabitia akumulátora ⑦
 - Stlačením tlačidla indikátora úrovne nabitia batérie E zobrazíte aktuálnu úroveň nabitia batérie ⑦a
 - ! **Keď po stlačení tlačidla E ⑦b začne blikať indikátor najnižšej úrovne nabitia batérie, znamená to, že batéria je prázdna**
 - ! **Keď začne blikať indikátor úrovni nabitia batérie 2 po stlačení tlačidla E ⑦c, znamená to, že batéria nemá povolený rozsah prevádzkových teplôt**
- Ochrana batérie
 - Nástroj sa náhle vypína alebo sa nedá zapnúť v prípade, že
 - **záťaž je príliš vysoká** --> odstráňte záťaž a reštartujte ho
 - **batéria nemá povolený rozsah prevádzkových teplôt od -20 do +50 °C** --> indikátor úrovni nabitia batérie 2 začne po stlačení tlačidla E ⑦c blikať; počkajte, kým teplota batérie znova neklesne do povoleného prevádzkového rozsahu
 - **batéria je takmer vybitá (v záujme zaistenia ochrany pred hlbokým vybitím)** --> batéria ukazuje nízku úroveň nabitia alebo indikátor nízkej úrovne nabitia batérie ⑦b po stlačení tlačidla E blikať; batériu nabite
 - ! **potom ako sa nástroj automaticky vypne, nestláčajte tlačidlo zapnúť/vypnúť, môže sa poškodiť batéria**

- Namontovanie brúsiacich plôch ⑧
 - ! **pred nastavením alebo výmenou príslušenstva alebo vždy vyťahnite batériu**
 - ! **I'ah prachu vyžaduje aby sa použili perforované brúsiace plochy**
 - ! **perforácie na brúsiacich plochách sa majú zhodovať s perforáciami na brúsiacej nohe**
 - ! **na čas vyměňte opotrebené brúsiace plochy**
 - ! **nástroj vždy použite tak, aby celá brúsna plocha bola pokrytá brusným papierom**
 - podľa obrázku namontujte brúsiacu plochu so suchým zipsom
- Odsávanie prachu
 - ! **nepoužívajte prachové vrečko keď brúsíte kov**
 - Prachové vrečko ⑨
 - namontujte prachové vrečko B
 - vyprázdňte vrečko na prach pravidelne aby sa čo najviac zvýšil výkon sania prachu
- Vypínač zapnutie/vypnutie
 - nástroj vypnite/zapnite stlačením vypínača C ② dopredu/dozadu
 - ! **nástroj je treba zapnúť predtým než sa dotkne povrchu brúseného kusu**
 - ! **pred vypnutím nástroja by ste ho mali zdvihnúť z miesta obrábania**
- Držanie a vedenie nástroja ⑩
 - ! **počas práce vždy držte nástroj v oblasti sivého držadla(iel)**
 - nástrojom pohybujte rovnobežne s pracovným kusom
 - pri práci netlačte príliš silno na nástroj, nechajte ho voľne pohybovať po brúsenom kuse
 - nástroj sa nemá klopiť alebo týmto dôjde k tvorbe rýh na brúsennej ploche
 - vetracie štrbiny D ② udržiavajte nezakryté

RADA NA POUŽITIE

- Nástroj používajte na brúsenie veľkých plôch, rohov a okrajov ⑪
- Nikdy sa nesmie používať tá istá brúsna plocha aj na drevo aj na kov
- Doporučené druhy brúsnych pásov:
 - na odstránenie náterov a pri brúsení extrémne drsného dreveného povrchu použite brúsny papier s veľkým zrnom (40, 60)
 - na brúsenie rovného dreveného povrchu použite brúsny papier so stredne veľkým zrnom (80, 100, 120)
 - na vyhladenie dreva alebo povrchov so starými nátermi, ako aj na konečnú úpravu surového dreva používajte brúsny papier s jemným zrnom (180, 240, 320)
- K úprave hrubých povrchov používajte brúsne pásy s rôznou zrnou veľkosťou:
 - najprv použijte hrubozrný alebo strednozrný pás
 - k dokončeniu slúži jemnozrný pás
- Ďalšie informácie nájdete na adrese www.skil.com


ÚDRŽBA / SERVIS

- Nástroj a sieťovú šnúru udržiavajte stále čisté (zvlášť vetracie štrbiny D ②)
 - pomocou kefy odstráňte nalepený brúsny prach
 - pred čistením vyberte akumulátor z nástroja
- Ak by nástroj napriek starostlivej výrobe a kontrole

predsa len prestal niekedy fungovať, treba dať opravu vykonať autorizovanej servisnej opravovni elektrického náradia SKIL

- pošlite nástroj **bez rozmontovania** spolu s dôkazom o kúpe; vášmu dilerovi alebo do najbližšieho servisného strediska SKIL (zoznam adries servisných stredísk a servisný diagram nástroja sú uvedené na www.skil.com)
- Uvedomte si, že poškodenie spôsobené preťažením alebo nesprávnym zaobchádzaním bude zo záruky vylúčené (záručné podmienky spoločnosti SKIL nájdete na stránke www.skil.com alebo si ich vyžiadajte u svojho predajcu)

ŽIVOTNÉ PROSTREDIE

- **Elektrické náradie, batérie, príslušenstvo a balenia nevyhadzujte do komunálneho odpadu** (len pre štáty EÚ)
 - podľa európskej smernice 2012/19/EG o nakladaní s použitými elektrickými a elektronickými zariadeniami a zodpovedajúcich ustanovení právnych predpisov jednotlivých krajín sa použité elektrické náradie musí zbierať oddelene od ostatného odpadu a podrobiť ekologicky šetrnej recyklácii
 - pripomenie vám to symbol , keď ju bude treba likvidovať
- ! **pred likvidáciou ochráňte vývody batérie hrubou páskou, aby ste zabránili skratu**


HLUK / VIBRÁCIE

- Hladina akustického tlaku nameraná v súlade s normou EN 62841 je 82 dB(A) a hladina akustického výkonu je 90 dB(A) (neistota K = 3 dB) a vibrácie 3,46 m/s² (triaxový vektorový súčet; neistota K = 1,5 m/s²)
- Hladina emisií od vibrácií bola nameraná v súlade s normalizovaným testom uvedeným v norme EN 62841; môže sa používať na vzájomné porovnávanie náradí a na predbežné posúdenie vystavenia účinkom vibrácií pri používaní náradia pre uvedené aplikácie
 - používanie náradia na rôzne aplikácie, alebo v spojení s rôznymi alebo nedostatočne udržiavanými doplnkami môže značne **zvýšiť** úroveň vystavenia
 - časové doby počas ktorých je je náradie vypnuté alebo počas ktorých náradie beží ale v skutočnosti nevykonáva prácu môžu značne **znižiť** úroveň vystavenia
- ! **chráňte sa pred účinkami vibrácií tak, že budete náradie a jeho príslušenstvo správne udržiavať, tak že nebudete pracovať so studenými rukami a tak že si svoje pracovné postupy správne zorganizujete**

HR

Bežični višenamjenski uređaj za 3715 brušenje bez četkica

UVOD

- Ovaj je uređaj predviđen za suho brušenje drva, plastike, kitanih i obojanih površina
- Ovaj je uređaj nije namijenjen za brušenje gipsa
- Pažljivo pročitajte i sačuvajte ove upute za rukovanje 

TEHNIČKI PODACI

DIJELOVI ALATA

- A Brusni tanjur
- B Vrećica za prašinu
- C Prekidač za uključivanje/isključivanje
- D Otvori za strujanje zraka
- E Pokazivač stanja napunjenosti baterije

SIGURNOST

OPĆA SIGURNOSNA UPOZORENJA ZA ELEKTRIČNE ALATE

UPOZORENJE Pročitajte sva sigurnosna upozorenja, upute, ilustracije i specifikacije isporučene s ovim električnim alatom. Zbog nepridržavanja svih uputa koje su navedene u nastavku može doći do nastanka strujnog udara, požara i/ili teške ozljede.

Sva upozorenja i upute sačuvajte kao referencu za buduće upotrebe.

U daljnjem tekstu korišten pojam “električni alat” odnosi se na električne alate s priključkom na električnu mrežu (s mrežnim kabelom) i na električne alate s napajanjem iz aku baterije (bez mrežnog kabela).

1) SIGURNOST NA RADNOM MJESTU

- Vaše radno područje održavajte čisto i uredno.** Nered ili neosvijetljeno radno područje mogu doći do nezgoda.
- S uređajem ne radite u okolini ugroženoj eksplozijom, u kojoj se nalaze zapaljive tekućine, plinovi ili prašina.** Električni alati proizvode iskre koje mogu zapaliti prašinu ili pare.
- Djecu i ostale osobe držite dalje tijekom korištenja električnog alata.** Ako bi skrenuli pozornost sa posla mogli bi izgubiti kontrolu nad uređajem.

2) ELEKTRIČNA SIGURNOST

- Priključni utikač uređaja treba odgovarati utičnici. Na utikaču se ni u kojem slučaju ne smiju izvoditi izmjene. Ne koristite adapterske utikače zajedno sa uređajima koji su zaštićeni uzemljenjem.** Originalni utikač i odgovarajuće utičnice smanjuju opasnost od električnog udara.
- Izbjegavajte dodir tijela s uzemljenim površinama kao što su cijevi, centralno grijanje, štednjaci i hladnjaci.** Postoji povećana opasnost od električnog udara ako je vaše tijelo uzemljeno.
- Držite uređaj dalje od kiše ili vlage.** Prodiranje vode u električni uređaj povećava opasnost od električnog udara.
- Priključni kabel ne koristite za nošenje, vješanje ili za izvlačenje utikača iz utičnice. Držite kabel dalje od izvora topline, ulja, oštrih rubova ili pomičnih dijelova uređaja.** Oštećen ili usukan kabel povećava opasnost od električnog udara.
- Ako s električnim uređajem radite na otvorenom, koristite samo produžni kabel odobren za uporabu na otvorenom.** Primjena produžnog kabela prikladnog za uporabu na otvorenom smanjuje opasnost od

električnog udara.

- f) **Ako se ne može izbjeći uporaba električnog alata u vlažnoj okolini, upotrijebite sigurnosna sklopka za propuštanje u zemlju.** Upotrebom sigurnosne sklopke za propuštanje u zemlju smanjuje se opasnost od električnog udara.
- 3) SIGURNOST LJUDI**
- a) **Budite oprezni, pazite što činite i postupajte razumno kod rada s električnim alatom. Ne koristite uređaj ako ste umorni ili pod utjecajem opojnih sredstava, alkohola ili lijekova.** Trenutak nepažnje kod uporabe uređaja može doći do ozbiljnih ozljeda.
- b) **Nosite sredstva osobne zaštite i uvijek zaštitne naočale.** Nošenje sredstava osobne zaštite, kao što je zaštitna maska, sigurnosne cipele koje ne klize, zaštitne kacige ili štitnika za sluh, ovisno od vrste i primjene električnog alata, smanjuje opasnost od nezgoda.
- c) **Izbjegavajte nehotično puštanje u rad. Prije nego što ćete utaknuti utikač u utičnicu i/ili staviti aku-bateriju, provjerite je li električni alat isključen.** Ako kod nošenja električnog alata imate prst na prekidaču ili se uključen uređaj priključi na električno napajanje, to može dovesti do nezgoda.
- d) **Prije nego što uređaj uključite, uklonite alate za podešavanje ili vijčane ključeve.** Alat ili ključ koji se nalazi u rotirajućem dijelu uređaja može doći do nezgoda.
- e) **Ne precjenjujte svoje sposobnosti. Zauzmite siguran i stabilan položaj tijela i držite u svakom trenutku ravnotežu.** Na taj način možete uređaj bolje kontrolirati u neočekivanim situacijama.
- f) **Nosite prikladnu odjeću. Ne nosite široku odjeću ili nakit. Kosu i odjeću držite dalje od pomičnih dijelova.** Široku odjeću, dugu kosu ili nakit mogu zahvatiti pomični dijelovi.
- g) **Ako se mogu montirati naprave za usisavanje i hvatanje prašine, provjerite da li su iste priključene i da li se pravilno koriste.** Primjena naprave za usisavanje može smanjiti ugroženost od prašine.
- h) **Nemojte postati previše bezbrižni i zanemariti sigurnosne upute zato što alat često upotrebljavate i smatrate da ste ga dobro upoznali.** Samo jedan trenutak nepažnje dovoljan je za nastanak ozbiljnih ozljeda.
- 4) BRIŽLJIVA UPORABA ELEKTRIČNIH ALATA**
- a) **Ne preopterećujte uređaj. Koristite za vaše radove za to predviđen električni alat.** S odgovarajućim električnim alatom radit ćete bolje i sigurnije, u navedenom području učinka.
- b) **Ne koristite električni alat čiji je prekidač neispravan.** Električni alat koji se više ne može uključiti ili isključiti, opasan je i treba se popraviti.
- c) **Alat prije podešavanja, izmjene pribora i odlaganja isključite iz izvora napajanja i/ili izvadite komplet baterije, ako se vadi iz uređaja.** Ovim mjerama opreza izbjeći će se nehotično uključivanje električnog alata.
- d) **Nekorištene električne alate spremite izvan dosega djece. Ne dopustite da uređaj koriste osobe koje s njim nisu upoznate ili koje nisu pročitale upute za uporabu.** Električni alati su opasni ako ih koriste neiskusne osobe.
- e) **Redovno održavajte električne alate i pribor. Kontrolirajte da li pomični dijelovi uređaja**

besprijekorno rade i da nisu zaglavljani, te da li su dijelovi polomljeni ili tako oštećeni da negativno djeluju na funkciju uređaja. Popravite oštećene dijelove prije uporabe uređaja. Mnoge nezgode imaju svoj uzrok u loše održavanim uređajima.

- f) **Rezne alate održavajte oštrim i čistim.** Pažljivo održavani rezni alati s oštrim oštricama neće se zaglaviti i lakši su za vođenje.
- g) **Koristite električne alate, pribor, radne alate, itd., prema navedenim uputama. Pri tome uzmite u obzir radne uvjete i radove koje se izvode.** Uporaba električnih alata za neke druge primjene različite od predviđenih, može doći do opasnih situacija.
- h) **Drške i zahvatne površine održavajte suhima, čistima i pazite da na njih ne dospiju ulje ili mast.** Skliske drške i zahvatne površine onemogućuju sigurno rukovanje i alat se teško kontrolira u neočekivanim situacijama.
- 5) BRIŽLJIVA UPORABA AKUMULATORSKIH UREĐAJA**
- a) **Aku-baterije punite samo s punjačima koje preporučuje proizvođač.** Punjač koji je prikladan za jednu određenu vrstu aku-baterije, postoji opasnost od požara ako bi se koristio s nekom drugom aku-baterijom.
- b) **Koristite isključivo samo aku-baterije koje su za određene električne alate predviđene.** Uporaba neke druge aku-baterije može doći do ozljeda i opasnosti od požara.
- c) **Nekorištenu aku-bateriju držite dalje od uredskih spajalica, kovanica, ključeva, čavala, vijaka ili drugih sitnih metalnih predmeta koji bi mogli prouzročiti premošćenje, kontakata.** Kratki spoj između kontakata aku-baterije može doći do opekline ili do požara.
- d) **Kod pogrešne primjene aku-baterije tekućina može iz nje isteći. Izbjegavajte dodir s ovom tekućinom. Kod slučajnog dodira s tekućinom, odmah s vodom isprati. Ako bi tekućina dospjela u oči, odmah zatražite liječničku pomoć.** Isteška tekućina može doći do nadražaja kože ili opekline.
- e) **Ne upotrebljavajte oštećene ili izmijenjene komplete baterija ni alate.** Oštećene ili izmijenjene baterije podložne su nepredvidivom ponašanju i mogu uzrokovati požar, eksploziju ili ozljede.
- f) **Držite alat i komplet baterija dalje od vatre i visokih temperatura.** Izlaganje vatri ili temperaturi višoj od 130°C može uzrokovati eksploziju.
- g) **Poštujte sve upute za punjenje i komplet baterija i alat ne punite pri temperaturama izvan vrijednosti koje su propisane i navedene u uputama.** Nepravilno punjenje ili punjenje pri temperaturama višim od propisanih može oštetiti bateriju i povećati opasnost od požara.
- 6) SERVISIRANJE**
- a) **Popravak uređaja prepustite samo kvalificiranom stručnom osoblju i samo s originalnim rezervnim dijelovima.** Na taj će se način postići održanje stalne sigurnosti uređaja.
- b) **Nikada ne servisirajte oštećene komplete baterija.** Servisiranje kompleta baterija smiju obavljati isključivo proizvođači i ovlašteni serviseri.

UPUTE ZA SIGURAN RAD S BRUSILICAMA

OPĆENITO

- Uređaj ne bi smjele koristiti osobe mlađe od 16 godina
- Ovaj je uređaj nije prikladan za mokro brušenje
- **Ne obrađujte materijal koji sadrži azbest** (azbest se smatra kancerogenim)
- Bateriju uklonite iz alata prije ugađanja ili mijenjanja alata

PRIBOR

- SKIL može osigurati besprijekoran rad uređaja samo ako se koristi originalni pribor
- Ne koristiti više istrošene, napukle ili jako začepljene brusne papire

PRIJE UPORABE

- Izbjegavajte oštećenja od vijaka, čavala i sličnih predmeta na vašem izratku; prije početka rada ih izvadite
- Razina buke kod rada može premašiti 85 dB(A); nositi štitnike za sluh
- Prašina od materijala kao što su boje koje sadrže olovo, neke vrste drveća, minerali i metal mogu biti opasne (dodir s prašinom ili njeno udisanje mogu prouzročiti alergične reakcije i/ili respiratorna oboljenja rukovatelja ili posmatrača); **nosite masku za zaštitu od prašine i radite s uređajem za ekstrakciju prašine ukoliko ga možete priključiti**
- Određene vrste prašine klasificiraju se kao karcinogenske (kao što su prašina hrastovine i bukovine), osobito u sudejstvu s aditivima za kondicioniranje drveta; **nosite masku za zaštitu od prašine i radite s uređajem za ekstrakciju prašine ukoliko ga možete priključiti**
- Nacionalni uvjeti za materijale s kojima želite raditi
- Nosite zaštitne rukavice, zaštitne naočale, tijesno pripijenu odjeću i mrežicu za kosu (ako nosite dugu kosu)
- **Osigurajte izradak** (izradak je sigurnije pričvršćen pomoću stezaljke ili škripa nego da ga držite rukom)
- Kod brušenja metala dolazi do iskrenja; ne koristite dodatak za prašinu, a ostale osobe kao i zapaljive materijale držite dalje od radnog područja

TJEEKOM UPORABE

- Ne dirati brusni papir koji je u pokretu
- U slučaju neuobičajenog ponašanja uređaja ili neobičnih šumova, uređaj treba odmah isključiti i izvaditi bateriju

NAKON UPORABE

- Čim se odmaknete od alata trebate ga isključiti, a pomični se dijelovi trebaju potpuno zaustaviti

AKU-BATERIJE

- **Ako je isporučena baterija, ona će biti djelomično napunjena** (da biste zajamčili potpuni kapacitet baterije, bateriju u potpunosti napunite punjačem prije prve uporabe električnog alata)
- **S ovim alatom rabite samo sljedeće baterije i punjače**
 - Baterija marke SKIL: BR1*31****
 - Punjač marke SKIL: CR1*31****
- Ne rabite bateriju kada je oštećena; treba je zamijeniti
- Ne rastavljajte bateriju
- Ne izlažite kiši alat/bateriju
- Dopuštena okolišna temperatura (uređaj/punjač/baterija):
 - kod punjenja 4...40°C
 - tijekom rada -20...+50°C
 - kod skladištenja -20...+50°C

POJAŠNENJE SIMBOLA NA UREĐAJU/BATERIJI

- ③ Prije upotrebe pročitajte korisnički priručnik
- ④ U dodiru s vatrom baterije će eksplodirati, stoga ne spaljujte bateriju iz bilo kojih razloga

- ⑤ Uređaj/punjač/bateriju spremajte uvijek kod temperatura prostorije nižih od 50°C
- ⑥ Ne bacajte električne alate i baterij u kućni otpad

POSLUŽIVANJE

- Punjenje aku-baterije
 - ! **pročitajte sigurnosna upozorenja i upute isporučene s punjačem**
- Uklanjanje/ugradnja baterije ②
- Pokazivač stanja napunjenosti baterije ⑦
 - pritisnite gumb pokazivača razine napunjenosti baterije E radi prikaza aktualne razine napunjenosti baterije ⑦a
 - ! **kada najniža razina baterije započne bljeskati nakon pritiska gumba E ⑦b, baterija je prazna**
 - ! **kada 2 razine pokazivača baterije započnu bljeskati nakon pritiska gumba E ⑦c, baterija nije unutar dopuštenog radnog temperaturnog raspona**
- Zaštita baterije
 - Uređaj se iznenadno isključuje ili ne može uključiti, kada je
 - **opterećenje previsoko** --> uklonite opterećenje i ponovno pokrenite
 - **temperatura baterije nije unutar dopuštenog radnog temperaturnog raspona od -20 do +50 °C** --> 2 razine pokazivača razine baterije počinju bljeskati pri pritiskanju gumba E ⑦c; pričekajte dok se baterija ne vrati unutar dopuštenog radnog temperaturnog raspona
 - **baterija je gotovo prazna (za zaštitu od potpunog pražnjenja)** --> niska razina baterije ili bljeskajuća niska razina baterije ⑦b pokazuje se putem pokazivača stanja napunjenosti baterije pri pritiskanju gumba E; napunite bateriju
 - ! **nemojte dalje pritiskati prekidač za uključivanje/isključivanje nakon što se alat automatski isključio; time možete oštetiti bateriju**
- Pričvršćenje brusnog papira ⑧
 - ! **bateriju uklonite iz alata prije ugađanja ili mijenjanja alata**
 - ! **za usisavanje prašine trebate perforirani brusni papir**
 - ! **rupe u perforiranom papiru trebaju se podudarati s onima za brusnu ploču**
 - ! **istrošeni brusni papir treba pravovremeno zamijeniti**
 - ! **uređaj koristite samo ako je kompletna površina brušenja pokrivena brusnim papirom**
 - VELCRO brusni papir staviti kao na ilustraciji
- Usisavanje prašine
 - ! **vrećicu za prašinu ne koristiti kod brušenja metala**
 - Vrećica za prašinu ⑨
 - priključiti vrećicu za prašinu B
 - redovito prazniti vrećicu za prašinu jamči se optimalno usisavanje prašine
- Prekidač za uključivanje/isključivanje
 - uređaj uključiti/isključiti pomicanjem prekidača C ② prema naprijed/natrag
 - ! **prije nego što brusna površina trake dodirne izradak, uređaj se treba prvo uključiti**
 - ! **prije isključivanja alata, isti se treba skinuti sa izratka**
- Držanje i vođenje uređaja ⑩

! alat kod primjene, držati samo na sivo označenim područjima

- držite vaš uređaj paralelno s obrađivanom površinom
- kod obrade površine ne djelovati prevelikim pritiskom na uređaj
- ne nagibajte uređaj, na taj će se način izbjeći neželjeni tragovi brušenja
- otvore za strujanje zraka D ② držite nepokriveno

SAVJETI ZA PRIMJENU

- Rabite alat za brušenje velikih površina, kutova i rubova ①
- Nikada sa istom brusnom trakom ne obrađivati drvo i metal
- Preporučena zrnatost brusnog papira:
 - za skidanje stare boje i brušenje izuzetno hrapavog drva koristite hrapavi papir (zrnatost 40, 60)
 - za brušenje hrapavog ili sirovog drva koristite papir (zrnatost 80, 100, 120)
 - za ravnanje drva ili površina prebojanih starom bojom kao i završnu obradu neobrađenog drva koristite glatki papir (zrnatost 180, 240, 320)
- Ako je obrađivana površina hrapava, koristite različite veličine zrnatosti:
 - u početku brusite s grubom i srednjom zrnatošću
 - završite sa finom zrnatošću
- Više informacija navedeno je na mrežnom mjestu www.skil.com

ODRŽAVANJE / SERVISIRANJE

- Održavajte čistim uređaj i kabel (osobito otvore za hlađenje D ②)
 - nakupljenu prašinu od brušenja očistiti četkom
 - bateriju uklonite iz alata prije čišćenja
- Ako bi uređaj unatoč brižljivih postupaka izrade i ispitivanja ipak prestao raditi, popravak treba prepustiti ovlaštenom servisu za SKIL električne alate
 - uređaj treba **nerastavljeno** predati, zajedno s računom o kupnji u najbližu SKIL ugovornu servisnu radionicu (popise servisa, kao i oznake rezervnih dijelova uređaja možete naći na adresi www.skil.com)
- Imajte na umu kako jamstvo ne obuhvaća štete nastale zbog preopterećenja ili nepravilnog rukovanja alatom (za uvjete iz SKIL jamstva, posjetite www.skil.com ili upitajte svog prodavača)

ZAŠTITA OKOLIŠA

- **Električne alate, baterij, pribor i ambalažu ne bacajte u kućni otpad** (samo za EU-države)
 - prema Europskoj direktivi 2012/19/EG o staroj električnoj i elektroničkoj opremi i njoj primjeni u skladu sa nacionalnim zakonom, istrošeni električni alati moraju se sakupljati odvojeno i odvesti u posebne pogone za reciklažu
 - na to podsjeća simbol ⑥ kada se javi potreba za odlaganjem
- ! **prije nego što aku-bateriju zbrinete u otpad, zaštitite njene polove**

BUKA / VIBRACIJA

- Mjerene u skladu s normom EN 62841, razina zvučnog tlaka ovoga alata je 82 dB(A), razina zvučne snage

90 dB(A) (nesigurnost $K = 3$ dB), a vibracija $3,46 \text{ m/s}^2$ (troaksijalna vektorska suma; nesigurnost $K = 1,5 \text{ m/s}^2$)

- Razina emitiranja vibracija izmjerena je sukladno normiranom testu danom u EN 62841; ona se može koristiti za usporedbu jedne alatke s drugom, te preliminarnu procjenu izloženosti vibracijama pri uporabi alatke za navedene namjene
 - uporaba ove alatke za druge namjene ili s drugim ili slabo održavanim nastavcima, može u značajnoj mjeri **uvećati** razinu izloženosti
 - vrijeme tokom kojega je alatka isključena, ili je uključena ali se njome ne radi, može značajno **umanjiti** razinu izloženosti

! **zaštitite se od posljedica vibracija održavanjem alatke i njezinih nastavaka, održavanjem Vaših ruku toplima, te organiziranjem Vaših obrazaca rada**

SRB

Bežična višenamenska brusilica 3715 bez četkica

UPUTSTVO

- Ovaj alat je namenjen za suvo brušenje drveta, plastike, metala, gitovanih i obojenih površina
- Ovaj alat nije namenjen za brušenje gipsa
- Pažljivo pročitajte i sačuvajte ova uputstva za rukovanje ③

TEHNIČKI PODACI ①

ELEMENTI ALATA ②

- A Potporni jastučići
- B Kesa za prašinu
- C Prekidač za uključivanje/isključivanje
- D Prerezi za hlađenje
- E Indikator kapaciteta baterije

SIGURNOST

OPŠTA SIGURNOSNA UPOZORENJA ZA ELEKTRIČNI ALAT

UPOZORENJE Pročitajte sva bezbednosna upozorenja, uputstva, ilustracije i specifikacije priložene uz ovaj električni alat. Ukoliko se ne slede sva uputstva navedena u nastavku može doći do strujnog udara, požara i/ili ozbiljne povrede.

Sačuvajte sva upozorenja i uputstva za buduću upotrebu.

Pojam upotrebljen u upozorenjima "električni alat" odnosi se na električne alate sa radom na mreži (sa mrežnim kablom) i na električne alate sa radom na akumulator (bez mrežnog kabla).

1) SIGURNOST NA RADNOM MESTU

- a) **Držite Vaše područje rada čisto i pospremljeno.** Nered ili neosvetljena radna područja mogu voditi nesrećama.

- b) **Ne koristite električni alat tamo gde postoji opasnost od eksplozije kao npr. u prisustvu zapaljivih tečnosti, gasova ili prašine.** Električni alati proizvode varnice, koje mogu zapaliti prašinu ili isparenja.
- c) **Za vreme korišćenja električnog alata držite podalje decu i druge osobe.** Kod skretanja možete izgubiti kontrolu nad alatom.

2) ELEKTRIČNA SIGURNOST

- a) **Utišač električnog alata mora odgovarati utičnici.** Nikada nemojte modifikovati utikač. **Ne upotrebljavajte adaptere utikača sa uzemljenim električnim alatom.** Nemodifikovani utikači i odgovarajuće utičnice smanjuju rizik od električnog udara.
 - b) **Izbegavajte telesni kontakt sa uzemljenim gornjim površinama, kao što su cevi, grejanja, šporeti i rashladni ormani.** Postoji povećani rizik od električnog udara, ako je Vaše telo uzemljeno.
 - c) **Ne izlažite električni alat kiši ili vlažnim uslovima.** Prorod vode u električni alat povećava rizik od električnog udara.
 - d) **Ne zloupotrebljavajte kabl.** Nikada nemojte koristiti kabl za nošenje i vučenje električnog alata ili za izvlačenje iz utičnice. Držite kabl dalje od vreline, ulja, oštih ivica ili pokretnih delova. Oštećeni ili umršeni kablovi povećavaju rizik električnog udara.
 - e) **Ako sa nekim električnim alatom radite u prirodi, upotrebljavajte samo produžne kablove koji su dozvoljeni za spoljno područje.** Upotreba produžnog kabla pogodnog za spoljno područje smanjuje rizik od električnog udara.
 - f) **Ako rad električnog alata ne može da se izbegne u vlažnoj okolini, koristite prekidač strujne zaštite pri kvaru.** Upotreba prekidača strujne zaštite pri kvaru smanjuje rizik od električnog udara.
- ### 3) SIGURNOST OSOBA
- a) **Budite oprezni, pazite na to šta radite i razumno rukujte Vašim električnim alatom.** Ne koristite električni alat dok ste umorni ili pod uticajem narkotika, alkohola ili lekova. Momenat nepažnje kod upotrebe električnog alata može rezultirati ozbiljnim povredama.
 - b) **Nosite ličnu zaštitnu opremu i uvek zaštitne naočare.** Nošenje lične zaštitne opreme, kao maske za prašinu, sigurnosne cipele koje ne klizaju, zaštitni šlem ili zaštitu za sluh, zavisno od vrste i upotrebe električnog alata, smanjujete rizik od povreda.
 - c) **Sprečite nenamerno puštanje u rad. Pre priključivanja na struju i/ili na akumulatorsku bateriju, podizanja ili nošenja alata uverite se da je prekidač isključen.** Nošenje električnog alata sa prstom na prekidaču ili priključivanje na struju uključenog električnog alata vodi do nesreće.
 - d) **Uklonite bilo kakve ključeve za podešavanje ili ključeve za zavrtnjeve, pre nego što uključite električni alat.** Ostavljanje ključa za zavrtnjeve ili ključa prikačene na rotirajući deo električnog alata može rezultirati ličnom povredom.
 - e) **Ne zauzimajte neadekvatan položaj. Sve vreme držite ravnotežu i pravilan položaj nogu.** Ovo omogućava bolje upravljanje električnim alatom u neočekivanim situacijama.
 - f) **Nosite pogodno odelo. Ne nosite široko odelo ili**

nakit. Držite kosu i odeću dalje od pokretnih delova. Opušteno odelo, nakit ili duža kosa mogu biti zahvaćeni od rotirajućih delova.

- g) **Ako se mogu montirati uredjaji za usisavanje prašine i uredjaji za hvatanje prašine, uverite se da li su priključeni i ispravno koriste.** Upotreba usisavanja prašine može smanjiti opasnosti od prašine.
 - h) **Ne dozvolite da pouzdanje koje ste stekli čestom upotrebom alata utiče na to da postanete neoprezni i da zanemarite sigurnosne principe za upotrebu alata.** Neoprezno delovanje može prouzrokovati teške povrede u deliću sekunde.
- ## 4) BRIŽLJIVO OPHODJENJE I KORIŠĆENJE ELEKTRIČNIH ALATA
- a) **Ne preopterećujte električni alat. Koristite električni alat koji odgovara Vašoj primeni.** Sa odgovarajućim električnim alatom radite bolje i sigurnije tempom za koji je projektovan.
 - b) **Ne upotrebljavajte električni alat, čiji je prekidač u kvaru.** Električni alat koji više ne može da se uključi ili isključi je opasan i mora da se popravi.
 - c) **Izvučite utikač iz utičnice i/ili izvadite akumulatorsku bateriju, ukoliko je to moguće, iz električnog alata pre nego što izvršite bilo kakva podešavanja, promenu pribora ili pre nego što uskladištite električni alat.** Takve preventivne sigurnosne mere smanjuju rizik od slučajnog pokretanja električnog alata.
 - d) **Čuvajte električne alate koje ne koristite izvan domašaja dece i ne dozvoljavajte osobama, koje nisu upoznate sa ovim električnim alatom ili sa ovim uputstvima, da rukuju električnim alatom.** U rukama neobučenih korisnika električni alati postaju opasni.
 - e) **Održavajte električni alat i pribore. Proverite da li su pokretni delovi u ravni i da li negde zapinju, da nije došlo do lomljenja delova i svako drugo stanje koje može uticati na rad električnog alata. Ukoliko je oštećen, odnesite električni alat na popravku pre korišćenja.** Mnoge nesreće su prouzrokovane lošim održavanjem električnih alata.
 - f) **Držite alate za sečenje oštre i čiste.** Brižljivo negovani alati za sečenje sa oštrim sečivima manje slepljuju i lakše se vode.
 - g) **Upotrebljavajte električne alate, pribor, alate koji se umeću itd. prema ovim uputstvima. Obratite pažnju pritom na uputstva za rad i posao koji treba izvesti.** Upotreba električnih alata za druge od propisanih namena može voditi opasnim situacijama.
 - h) **Održavajte drške i prihvatne površine suvim, čistim i bez ostataka ulja ili masnoće.** Klizave drške ili prihvatne površine ne omogućavaju bezbedno rukovanje i upravljanje alatom u neočekivanim situacijama.
- ## 5) BRIŽLJIVO OPHODJENJE I KORIŠĆENJE APARATA SA AKUMULATOROM
- a) **Punite akumulator samo u aparatima za punjenje koje propisuje proizvođač.** Za aparat za punjenje koji je pogodan za određenu vrstu akumulatora, postoji opasnost od požara, ako se upotrebljava sa drugim akumulatorom.
 - b) **Upotrebljavajte samo za to predviđene akumulatora u električnim alatima.** Upotreba drugih akumulatora može voditi povredama i opasnosti od požara.
 - c) **Držite ne korišćen akumulator podalje od kancelarijskih spajalica, novčića, ključeva, eksera,**

zavrtnja ili drugih malih metalnih predmeta koji mogu prouzrokovati premošćavanje kontakata. Kratak spoj između kontakata akumulatora može imati za posledicu zagorevanje ili vatru.

- d) **Kod pogrešne primene može izaći tečnost iz akumulatora; izbegavajte kontakt sa njom. Kod slučajnog kontakta isperite sa vodom. Ako tečnost dodje u dodir sa očima, potražite i lekarsku pomoć dodatno.** Tečnost akumulatora koja može izaći napolje može voditi nadražajima kože ili opekotinama.
- e) **Ne koristite akumulatorsku bateriju ili alat koji je oštećen ili modifikovan.** Oštećeni ili modifikovani akumulatori se mogu ponašati nepredviđeno što može rezultirati požarom, eksplozijom ili povredom.
- f) **Ne izlažite akumulatorsku bateriju ili alat vatri ili visokim temperaturama.** Izlaganje vatri ili temperaturama iznad 130°C može prouzrokovati eksploziju.
- g) **Pridržavajte se svih uputstava u vezi sa punjenjem i ne punite akumulatorsku bateriju ili alat izvan temperaturnog opsega naznačenog u uputstvima.** Nepropisno punjenje ili punjenje na temperaturama izvan naznačenog opsega može oštetiti akumulator i povećati rizik od požara.
- 6) **SERVISIRANJE**
- a) **Vaš električni alat dajte na servisiranje samo kvalifikovanom licu za popravku, koristeći pritom samo identične rezervne delove.** Ovo će osigurati očuvanje bezbednosti električnog alata.
- b) **Nikada ne servisirajte oštećene akumulatorske baterije.** Servisiranje akumulatorskih baterija treba da vrši isključivo proizvođač ili ovlašćeni serviseri.

UPUTSTVA O SIGURNOSTI SA BRUSILICOM

OPŠTA

- Ovaj alat ne treba da koriste osobe ispod 16 godina
- Ovaj alat nije podesan za mokro brušenje
- **Ne obradjujte nikakav materijal koji sadrži azbest** (azbest važi kao izazivač raka)
- Uklonite bateriju iz alata pre svakog podešavanja ili promene pribora

PRIBOR

- SKIL može priznati garanciju samo ukoliko je korišćen originalni pribor
- Nemojte da koristite istrošen, pohaban ili veoma zapušen brusni papir

PRE UPOTREBE

- Izbegavajte oštećenja od šrafova, eksera i drugih predmeta na vašem području rada; uklonite ih pre nego što započnete rad
- Buka koju alat proizvodi tokom rada može da premaši 85 dB(A); nosite zaštitu za sluh
- Prašina od materijala, kao što su boja koja sadrži olovo, neke vrste drveta, minerali i metal, može biti opasna (dodir ili udisanje prašine može prouzrokovati alergijske reakcije i/ili respiratorna oboljenja rukavica i lica u blizini); **nosite masku protiv prašine i radite uz uključeni uređaj za ekstrakciju prašine kada radite na mestima gde ju je moguće priključiti**
- Određene vrste prašine su klasifikovane kao kancerogene (kao što su prašina hrastovine i bukovine), posebno u sadejstvu sa aditivima za pripremu drveta; **nosite masku protiv prašine i radite uz uključeni**

uređaj za ekstrakciju prašine kada radite na mestima gde ju je moguće priključiti

- Prati nacionalne propise vezane za prašinu koja se proizvodi prilikom rada na obrađivanim materijalima
- Nosite zaštitne rukavice, zaštitne naočari, odeću pripijenu uz telo i zaštitu za kosu (ukoliko je dugačka)
- **Obezbedite radni predmet** (radni predmet stegnut pomoću stega ili nečeg sličnog je mnogo stabilniji nego kada se drži rukom)
- Kod brušenja metala, dolazi do varničenja; nemojte da koristite dodatak za prašinu, a ostale osobe i zapaljivi materijali treba da budu dalje od područja rada

TOKOM UPOTREBE

- Nemojte da dirate brusni papir koji je u pokretu
- U slučaju da dođe do električnog ili mehaničkog kvara, odmah isključite alat i uklonite bateriju

NAKON UPOTREBE

- Kada završite rad sa alatom, isključite motor i proverite da li su se zaustavili svi pokretni delovi

BATERIJA

- **Ako je baterija priložena, ona će biti delimično napunjena** (da biste obezbedili pun kapacitet baterije, bateriju napunite do kraja u punjaču baterije pre prvog korišćenja električnog alata)
- **Koristite samo sledeće baterije i punjače sa ovim alatom**
 - SKIL baterija: BR1*31****
 - SKIL punjač: CR1*31****
- Nemojte koristiti oštećenu bateriju; treba je zameniti
- Nemojte da rastavljate bateriju
- Nemojte izlagati alat/bateriju kiši
- Dozvoljena ambijentalna temperatura (alat/punjač/bateriju):
 - prilikom punjenja 4...40°C
 - prilikom režima rada -20...+50°C
 - prilikom skladištenja -20...+50°C

OBJAŠNENJE SIMBOLA NA ALATU/BATERIJI

- ③ Pročitajte uputstvo za korišćenje pre prve upotrebe
- ④ Baterije će eksplodirati ako se izlože vatri, zato nikada ne palite baterije
- ⑤ Odlazite alat/punjač/bateriju na msetima gde temperatura neće preći 50°C
- ⑥ Ne odlazite električne alate i baterije u kućne otpatke

UPUTSTVO ZA KORIŠĆENJE

- Punjenje baterije
! pročitajte bezbednosna upozorenja i uputstva priložena uz punjač
- Uklanjanje/postavljanje baterije ②
- Indikator kapaciteta baterije ⑦
 - pritisnite dugme indikatora baterije E za prikaz trenutnog nivoa baterije ⑦a
 - ! kada najniži nivo indikatora baterije počne da treperi nakon pritiska dugmeta E ⑦b, baterija je prazna**
 - ! kada 2 nivoi indikatora baterije počnu da trepere nakon pritiska na dugme E ⑦c, baterija nije u dozvoljenom opsegu radne temperature**
- Zaštita baterije
Alat se momentalno isključuje ili ne može da se uključi kada
 - **je opterećenje suviše veliko** --> uklonite opterećenje i ponovo pokrenite
 - **temperatura baterije nije u dozvoljenom radnom**

opsegu temperature od -20 do +50°C --> 2 nivoi indikatora za nivo baterije počinju da trepere kada pritisnete dugme E ⑦c; sačekajte dok se baterija ne vrati u dozvoljeni temperaturni opseg

- **baterija je skoro prazna (za zaštitu od dubinskog pražnjenja)** --> nizak nivo baterije ili treperenje za nizak nivo baterije ⑦b prikazuje indikator za nivo baterije kada se pritisne dugme E; napunite bateriju
! prestanite da pritiskate prekidač za uključivanje/isključivanje nakon automatskog isključivanja alata jer možete oštetiti bateriju

- Postavljanje brusnog papira ⑧
! uklonite bateriju iz alata pre svakog podešavanja ili promene pribora
! za usisavanje prašine je potreban perforiran brusni papir
! perforacija brusnog papira treba da se podudara sa perforacijom brusne ploče
! pravovremeno zamenite istrošen brusni papir
! čitava površina brušenja treba da bude prekrivena brusnim papirom kada koristite alat
- postavite VELCRO brusni papir kao što je prikazano na slici
- Usisavanje prašine
! nemojte da koristite kesu za prašinu kada brusite metal

Kesa za prašinu ⑨

- montirajte kesu za prašinu B
- radi optimalnog usisavanja prašine redovno praznite kesu za prašinu

- Prekidač za uključivanje/isključivanje
- alat uključujete/isključujete pomeranjem prekidača C ② napred/nazad
! alat treba da uključite pre nego što brusna površina dodirne područje rada
! uređaj treba da ga podignete sa područja rada pre nego što ga isključite
- Držanje i upravljanje alata ⑩
! dok radite, uvek držite alat za mesto(a) koje(a) su označena sivom bojom
- držite alat paralelno sa površinom koju obrađujete
- nemojte mnogo da pritiskate električni alat na površinu za brušenje
- nemojte da naginjete alat, da biste izbegli pojavljivanje neželjenih tragova brušenja
- prorezi za hlađenje D ② moraju da budu otvoreni

SAVETI ZA PRIMENU

- Koristite alat za brušenje velikih površina, uglova i ivica ⑪
- Nemojte nikada da koristite isti brusni list za drvo i metal
- Preporučena zrnastost brusnog papira:
 - za uklanjanje boje, a za brušenje veoma hrapavog drveta koristite brusni papir grube zrnastosti (40, 60)
 - za brušenje hrapavog ili sirovog drveta koristite brusni papir srednje zrnastosti (80, 100, 120)
 - za glačanje drveta i površina sa starom bojom kao i za finu obradu neobrađenog drveta koristite brusni papir fine zrnastosti (180, 240, 320)
- Koristite različit stepen zrnastosti kada je površina za obradu hrapava:
 - brušenje započnite papirom sa grubom ili srednjom zrnastošću

- završite papirom sa finom zrnastošću
- Za više informacija pogledajte www.skil.com

ODRŽAVANJE / SERVIS

- Alat i kabl uvek održavajte čistim (posebno otvore za hlađenje D ②)
 - četkicom uklonite nakupljenu prašinu od brušenja
 - pre čišćenja uklonite bateriju iz alata
- Ako bi alat i pored brižljivog postupka izrade i kontrole nekada otkazao, popravku mora vršiti neki autorizovani servis za SKIL-električne alate
 - pošaljite **nerastavljeni** alat zajedno sa potvrdom o kupovini vašem nabavljaču ili najbližem SKIL servisu (adrese i oznake rezervnih delova možete naći na www.skil.com)
- Imajte na umu da za oštećenja nastala usled preopterećenja ili nepravilnog rukovanja neće važiti garancija (za uslove SKIL garancije posetite www.skil.com ili pitajte svog prodavca)

ZAŠTITA OKOLINE

- **Električne alate, baterije, pribora i ambalaže ne odlažite u kućne otpatke** (samo za EU-države)
 - prema Europskoj direktivi 2012/19/EG o staroj električnoj i elektronskoj opremi i njenoj upotrebi u skladu sa nacionalnim pravom, električni alati koji su istrošeni moraju biti sakupljeni odvojeno i dostavljeni pogonu za reciklažu
 - simbol ⑥ će vas podsetiti na to**! da bi se izbegli kratki spojevi je baterija zaštićena debljom trakom**

BUKA / VIBRACIJE

- Izmeren u skladu sa standardom EN 62841 nivo pritiska zvuka ovog alata je 82 dB(A) a nivo jačine zvuka 90 dB(A) (neizvesnost K = 3 dB), i vibracija 3,46 m/s² (troosni vektorski zbir; neizvesnost K = 1,5 m/s²)
- Nivo emisije vibracija izmeren je u skladu sa standardizovanim testom datim u EN 62841; on se može koristiti za upoređenje jedne alatke sa drugom, kao i za preliminarnu procenu izloženosti vibracijama pri korišćenju ove alatke za pomenute namene
 - korišćenje alatke u drugačije svrhe ili sa drugačijim ili slabo održavanim nastavcima može značajno **povećati** nivo izloženosti
 - vreme kada je alatka isključena ili kada je uključena, ali se njome ne radi, može značajno **smanjiti** nivo izloženosti**! zaštitite se od posledica vibracija održavanjem alatke i njenih nastavaka, održavajući Vaše ruke toplim i organizovanjem Vaših radnih obrazaca**

(SLO)

brezkrtačni brezlični univerzalni 3715 brusilnik

UVOD

- To orodje je namenjeno za suho brušenje lesa, plastike, kovine, polnil i barvanih površin
- To orodje ni namenjeno za brušenje mavca
- Preberite in shranite navodila za uporabu ③

TEHNIČNI PODATKI ①

DELI ORODJA ②

- A Brusilni krožnik
- B Vrečka za prah
- C Stikalo vklopi/izklopi
- D Ventilacijske reže
- E Indikator stanja akumulatorja

VARNOST

SPLOŠNA VARNOSTNA OPOZORILA ZA ELEKTRIČNA ORODJA

⚠ OPOZORILO Preberite vsa varnostna opozorila, navodila in tehnične podatke ter si oglejte slike, ki so priloženi temu električnemu orodju. Neupoštevanje spodaj navedenih navodil se lahko odrazi v električnem udaru, požaru in/ali hudih poškodbah.

Vsa opozorila in navodila shranite, saj jih boste v prihodnosti morda potrebovali.

Pojem "električno orodje", ki se pojavlja v nadaljnjem besedilu, se nanaša na električna orodja z električnim pogonom (z električnim kablom) in na akumulatorska električna orodja (brez električnega kabla).

1) VARNOST NA DELOVNEM MESTU

- a) **Poskrbite, da bo Vaše delovno mesto vedno čisto in urejeno.** Nered ali neosvetljena delovna področja lahko povzročijo nezgode.
- b) **Prosimo, da orodja ne uporabljate v okolju, kjer je nevarnost za eksplozije in v katerem se nahajajo gorljive tekočine, plini in prah.** Električna orodja povzročajo iskre, zato se gorljivi prah ali pare lahko vnamejo.
- c) **Ne dovolite otrokom in drugim osebam, da bi se medtem ko delate, približali električnemu orodju.** Druge osebe lahko odvrnejo Vašo pozornost drugam in izgubili boste nadzor nad orodje.

2) ELEKTRIČNA VARNOST

- a) **Vtič mora ustrezati električni vtičnici in ga pod nobenim pogojem ne smete spreminjati.** Uporaba adapterskih vtičev v kombinaciji z ozemljena orodja ni dovoljena. Originalni oziroma nespremenjeni vtiči in ustrezne vtičnice zmanjšujejo tveganje električnega udara.
- b) **Izogibajte se telesnemu stiku z ozemljenimi površinami, na primer s cevmi, grelci, štedilniki in hladilniki.** Če je ozemljeno tudi vaše telo, obstaja povečano tveganje električnega udara.
- c) **Zavarujte orodje pred dežjem ali vlago.** Vdor vode v električno orodje povečuje tveganje električnega udara.
- d) **Električnega kabla ne uporabljajte za prenašanje ali obežanje orodja in ne vlecite vtič iz vtičnice tako, da vlečete za kabel.** Zavarujte kabel pred vročino, oljem, ostrimi robovi in premikajočimi se deli orodja. Poškodovani ali prepleteni kabli povečujejo tveganje električnega udara.
- e) **Če z električnim orodjem delate na prostem, uporabljajte izključno kabelski podaljšek, ki je**

atestiran za delo na prostem. Uporaba kabelskega podaljška, primerne za delo na prostem, zmanjšuje tveganje električnega udara.

- f) **Če je uporaba električnega orodja v vlažnem okolju neizogibna, uporabljajte prekinjevalec električnega tokokroga.** Prekinjevalca električnega tokokroga zmanjšuje tveganje električnega udara.
- #### 3) OSEBNA VARNOST
- a) **Bodite zbrani in pazite, kaj delate.** Dela z električnim orodjem se lotite razumno. Nikoli ne uporabljajte orodja, če ste utrujeni in če ste pod vplivom mamil, alkohola ali zdravil. En sam trenutek nepazljivosti pri uporabi orodja ima lahko za posledico resne telesne poškodbe.
 - b) **Uporabljajte osebna zaščitna sredstva in vedno nosite zaščitna očala.** Uporaba osebnih zaščitnih sredstev, na primer maske proti prahu, nehrsečih zaščitnih čevljev, zaščitne čelade in glušnikov, odvisno od vrste in uporabe električnega orodja, zmanjšuje tveganje telesnih poškodb.
 - c) **Izogibajte se nenamernemu zagonu. Pred priključitvijo električnega orodja na električno omrežje in/ali na akumulator in pred dviganjem ali nošenjem se prepričajte, če je električno orodje izklopljeno.** Prenašanje naprave s prstom na stikalo ali priključitev vklopljenega električnega orodja na električno omrežje je lahko vzrok za nezgodo.
 - d) **Pred vklopom orodja odstranite z nje nastavitvena orodja ali vijaki ključ.** Orodje ali ključ, ki se nahajata na vrtečem se delu električnega orodja, lahko povzročita nezgodo.
 - e) **Ne precenjujte se in poskrbite za varno stojišče in stalno ravnostje.** Tako boste lahko v nepričakovani situaciji bolje obvladali orodje.
 - f) **Oblecite se primerno. Ne nosite ohlapnih oblačil ali nakita. Las in oblačil ne približujte premikajočim se delom.** Ohlapna oblačila, nakit ali dolgi lasje se lahko ujamejo v premikajoče se dele.
 - g) **Če je možno na orodje namestiti priprave za odsesavanje in prestrazanje prahu, prepričajte se, ali so le-te priključene in, če jih pravilno uporabljate.** Uporaba priprave za odsesavanje prahu zmanjšuje zdravstveno ogroženost zaradi prahu.
 - h) **Naj seznanjenost z orodjem, ki jo pridobite s pogosto uporabo, ne bo razlog za to, da postanete lahkomišeln in ignorirate varnostna načela.** V delčku sekunde lahko nepozorno dejanje pripelje do hude poškodbe.
- #### 4) RAVNANJE IN NEGA ROČNEGA ORODJA
- a) **Ne preobremenjujte orodja. Za določeno delo uporabljajte električno orodje, ki je predvideno za opravljanje tega dela.** Z ustreznim električnim orodjem boste delo opravili boljše in varneje, ker je bilo v ta namen tudi konstruirano.
 - b) **Električno orodje, ki ima pokvarjeno stikalo, ne uporabljajte.** Električno orodje, ki ga ni možno vklopiti ali izklopiti, je nevarno in ga je potrebno popraviti.
 - c) **Izvlčite vtič iz vtičnice in/ali odstranite akumulatorsko baterijo, če jo je mogoče izvzeti, še preden orodje popravljate, menjujete pribor ali ga shranite.** Ti preventivni varnostni ukrepi zmanjšajo tveganje za nenamenski zagon orodja.
 - d) **Kadar orodja ne uporabljate ga shranjujte izven**

dozega otrok. Osebam, ki orodja ne poznajo ali niso prebrale teh navodil, orodja ne dovolite uporabljati. Električna orodja so nevarna, če jih uporabljajo neizkušene osebe.

- e) **Vzdržujte električna orodja in pribor. Preverite, če premikajoči se deli orodja delujejo brezhibno in če se ne zatikajo, oziroma, če kakšen del orodja ni zlomljen ali poškodovan do te mere, da bi oviral njegovo delovanje. Pred nadaljnjo uporabo je potrebno poškodovani del popraviti.** Vzrok za številne nezgode so ravno slabo vzdrževana električna orodja.
- f) **Rezalna orodja naj bodo ostra in čista.** Skrbno negovana rezalna orodja z ostrimi rezili se manj zatikajo in so boljje vodljiva.
- g) **Električna orodja, pribor, nastavke in podobno uporabljajte v skladu s temi navodili. Pri tem upoštevajte delovne pogoje in vrsto dela, ki ga nameravate opraviti.** Zaradi uporabe električnega orodja v druge, nepredvidene namene, lahko nastanejo nevarne situacije.
- h) **Ročaji in površine za prijemanje naj bodo suhe, čiste in brez olja ali maščobe.** Gladki ročaji in površine za prijemanje ne omogočajo varne uporabe in nadzora orodja v nepričakovanih situacijah.
- 5) **SKRBNO RAVNANJE Z AKUMULATORSKIMI NAPRAVAMI IN NJIHOVA UPORABA**
 - a) **Prosimo, da akumulatorske baterije polnite samo v polnilnikih, ki jih priporoča proizvajalec.** Na polnilniku, predvidenem za polnjenje določene vrste akumulatorskih baterij, lahko pride do požara, če ga uporabljate za polnjenje drugih vrst akumulatorskih baterij.
 - b) **Za pogon akumulatorskih orodij uporabljajte samo zanje predvidene akumulatorske baterije.** Uporaba drugačnih akumulatorskih baterij lahko povzroči telesne poškodbe ali požar.
 - c) **Kadar akumulatorska baterija ni v orodju, pazite, da ne pride v stik s kovinskimi predmeti kot so pisarniške sponke, kovanci, ključji, žebliji, vijaki ali ostalimi kovinskimi predmeti, ki bi lahko povzročili stik med obema poloma akumulatorja.** Kratek stik med kontakti akumulatorske baterije lahko povzroči opekline ali požar.
 - d) **Pri napačni uporabi lahko iz akumulatorske baterije priteče tekočina. Izogibajte se stiku z njo. V primeru naključnega stika prizadeto mesto spirajte z vodo. Če pride akumulatorska tekočina v oči, po spiranju poiščite tudi zdravniško pomoč.** Iztekanje tekočine iz akumulatorja lahko povzroči draženje kože ali opekline.
 - e) **Ne uporabljajte poškodovanih ali prilagojenih akumulatorskih baterij oz. orodij.** Poškodovane ali prilagojene akumulatorske baterije se lahko nepredvidljivo obnašajo, kar lahko povzroči požar, eksplozijo ali tveganje za poškodbe.
 - f) **Akumulatorske baterije ali orodja ne izpostavljajte ognju ali previsoki temperaturi.** Izpostavljenost ognju ali vročini nad 130°C lahko povzroči eksplozijo.
 - g) **Upoštevajte navodila za polnjenje in ne polnite akumulatorske baterije ali orodja pri temperaturi, ki je izven območja, navedenega v navodilih.** Če orodje polnite na nepravilen način ali pri temperaturah, ki so izven določenega območja, lahko pride do poškodb akumulatorske baterije, kar poveča tveganje za požar.

6) SERVISIRANJE

- a) **Popravilo orodja lahko opravi samo usposobljena strokovna oseba in to izključno z originalnimi nadomestnimi deli.** Le tako bo ohranjena nadaljnja varnost orodja.
- b) **Nikdar ne popravljajte poškodovanih akumulatorskih baterij.** Akumulatorske baterije naj popravlja le proizvajalec ali pooblaščen serviser.

VARNOSTNA NAVODILA ZA UPORABO BRUSILNIKA

SPLOŠNO

- Orodja naj ne bi uporabljale osebe mlajše od 16 let
- To orodje ni primerno za uporabo v mokrih okoljih
- **Ne obdelujte materiala, ki vsebuje azbest** (azbest povzroča rakasta obolenja)
- Preden orodje kakor koli prilagajate ali zamenjate pribor, z orodja odstranite akumulator

PRIBOR

- SKIL zagotavlja brezhibno delovanje orodja le z uporabo originalnega dodatnega pribora
- Ne uporabljajte izrabljenih in raztrganih brusnih papirjev, ki so že močno grudasti

PRED UPORABO

- Izogibajte se poškodb zaradi vijakov, žebeljev ali drugih elementov v obdelovancu; odstranite jih pred začetkom dela
- Med delom lahko nivo hrupa presega 85 dB(A); uporabljajte zaščito proti hrupu
- Prah materialov, kot so barve, ki vsebujejo svinec, nekatere vrste lesa, mineralov ali kovin so lahko škodljivi (ob stiku ali vdihavanju lahko prah pri delavcu ali pri drugih prisotnih povzroči alergijsko reakcijo in/ali bolezni dihal); **nosite masko za prah in pri delu uporabljajte napravo za odsesavanje prahu, kjer je le-to možno priključiti**
- Nekatere vrste prahu so klasificirane kot kancerogene (kot npr. prah hrasta in bukve) še posebno ob sočasni uporabi z dodatki za obdelavo lesa; **nosite masko za prah in pri delu uporabljajte napravo za odsesavanje prahu, kjer je le-to možno priključiti**
- Upoštevajte nacionalne zahteve glede prahu za materiale katere želite obdelovati
- Uporabljajte zaščitne rokavice, zaščitna očala, tesno oprijeta oblačila in zaščito za lase (velja za dolge lase)
- **Zavarujte obdelovanec** (obdelovanec stisnjen v prižem ali primežu je bolj varen kot v roki)
- Pri brušenju kovinskih delov se iskri; ne uporabljajte dodatka za prah, z delovnega področja odstranite vnetljive materiale in ne dovolite, da se področju dela približujejo druge osebe

MED UPORABO

- Ne dotikajte se premikajoče se brusnega papirja
- V primeru električnih ali mehanskih okvar takoj izklopite orodje in odstranite akumulator

PO UPORABI

- Ko orodje postavite v stran, izklopite motor in pazite, da se vsi premikajoči se deli orodja popolnoma zaustavijo

AKUMULATORJI

- **Baterija, če je priložena, je delno napolnjena** (če želite zagotoviti polno zmogljivost akumulatorja, ga pred prvo uporabo popolnoma napolnite s polnilnikom za akumulator)
- **S tem orodjem lahko uporabljate samo te akumulatorje in polnilnike**

- Akumulator SKIL: BR1*31****
- Polnilnik SKIL: CR1*31****
- Ne uporabljajte poškodovanega akumulatorja, ampak ga zamenjajte
- Akumulatorja ne razstavljajte
- Orodja/akumulatorja ne izpostavljajte dežju
- Dovoljena temperatura okolice (orodje/polnillec/akumulator):
 - pri polnjenju 4...40°C
 - pri delu -20...+50°C
 - pri skladiščenju -20...+50°C

POJASNILO OZNAK NA ORODJU/BATERIJI

- ③ Pred uporabo preberite navodila za uporabo
- ④ Baterije lahko pri izpostavljanju odprtemu ognju eksplodirajo, zato jih nikoli ne sežigajte
- ⑤ Shranjujte orodje, polnillec in akumulator v prostoru, kjer temperatura ne bo preseгла 50°C
- ⑥ Ne odstranjujte električnega orodja in baterije s hišnimi odpadki

UPORABA

- Polnjenje akumulatorja
 - ! **Preberite varnostna opozorila in navodila, priložena polnilniku**
- Odstranitev/namestitev akumulatorja ②
- Indikator stanja akumulatorja ⑦
 - pritisnite gumb indikatorja raven napoljenosti akumulatorja E, da prikažete trenutno raven napoljenosti akumulatorja ⑦a
 - ! **ko začne utripati najnižji raven indikatorja akumulatorja po pritisku gumba E ⑦b, je akumulator prazen**
 - ! **ko začne utripati ravni 2 indikatorja akumulatorja po pritisku gumba E ⑦c, akumulator ni v dovoljenem razponu delovne temperature**
- Zaščita akumulatorja
 - Orodje se nenadoma izklopi ali pa ga ni mogoče vklopiti, kadar
 - **previsoka obremenitev** --> odstranite obremenitev in zaženite znova
 - **temperatura baterije ni v dovoljenem razponu delovne temperature od -20 do +50 °C** --> 2 ravni indikatorja napoljenosti akumulatorja začnejo utripati, ko pritisnete gumb E ⑦c; počakajte, da se akumulator vrne v dovoljeni razpon delovne temperature
 - **akumulator je skoraj prazen (zaščitite ga pred popolno izpraznitvijo)** --> indikator napoljenosti akumulatorja prikaže nizko raven napoljenosti akumulatorja ali utripajočo nizko raven napoljenosti akumulatorja ⑦b, ko pritisnete gumb E; napolnite akumulator
 - ! **po samodejnem izklopu ne pritiskajte stikala za vklop/izklop; baterija se lahko poškoduje**
- Namestitev brusnega papirja ⑧
 - ! **preden orodje kakor koli prilagajate ali zamenjate pribor, z orodja odstranite akumulator**
 - ! **za sesanje prahu potrebujete perforiran brusni papir**
 - ! **perforirani deli na brusnem papirju bi se morali ujemati s perforiranimi deli na brusni plošči**
 - ! **pravočasno zamenjajte brusne papirje**
 - ! **vedno uporabljajte orodje tako, da je celotna brusna površina prekrita z brusnim papirjem**

- namestite brusni papir VELCRO, kot kaže slika
- Odsesavanje prahu
 - ! **vrečko za prah ne uporabljajte pri brušenju kovine**
 - Vrečka za prah ⑨
 - namestite vrečko za prah B
 - redno praznite vrečko za prah za najboljše delovanje
- Stikalo vklopi/izklopi
 - vklopite/izklopite orodje, tako da potisnete stikalo C ② naprej/nazaj
 - ! **orodje bi morali vklopiti, preden se z brusno površino dotaknete predmeta, ki ga obdelujete**
 - ! **preden orodje izklopite, bi ga morali odmakniti od predmeta, ki ga obdelujete**
- Držanje in vodenje orodja ⑩
 - ! **med delom vedno držite orodje za sivo obarvano mesto oprijema**
 - orodje naj teče vzporedno z delovno površino
 - na brusilnik ne pritiskajte premočno; naj to namesto vseh naredi brusna površina
 - da bi se izognili neželenim brusnim madežem, orodja med delom ne nagibajte
 - ventilacijske reže D ② morajo biti nepokrite

UPORABNI NASVETI

- Uporabljajte orodje za brušenje velikih površin, vogalov in robov ⑪
- Nikoli ne uporabljajte istega brusnega papirja za les in kovino
- Priporočljiva zrnatost brusnega papirja:
 - za odstranjevanje barve in za brušenje izredno trdega lesa uporabite brusni papir grobe zrnatosti (40, 60)
 - za brušenje hrapavega ali gladkega lesa uporabite brusni papir srednje zrnatosti (80, 100, 120)
 - za glajenje lesa in površin s staro barvo ter za končno obdelavo surovega lesa uporabite brusni papir fine zrnatosti (180, 240, 320)
- Če je delovna površina hrapava, uporabljajte različno zrnatost brusnega papirja:
 - začnite brusiti z brusnim papirjem grobe ali srednje grobe zrnatosti
 - zaključite z brusnim papirjem fine zrnatosti
- Za več informacij obiščite spletno stran www.skil.com

VZDRŽEVANJE/SERVISIRANJE

- Priključni kabel in orodje naj bosta vedno čista (posebej še prezačevalne odprtine D ②)
 - brusni prah odstranjujte s ščetko
 - pred čiščenjem odstranite akumulator iz orodja
- Če bi kljub skrbnim postopkom izdelave in preizkušanja prišlo do izpada delovanja orodja, naj popravilo opravi servisna delavnica, pooblaščen za popravila SKILevih električnih orodij
 - pošljite **nerazstavljeno** orodje skupaj s potrdilom o nakupu pri vašemu prodajalcu v najbližjo SKIL servisno delavnico (naslovi, kot tudi spisek rezervnih delov se nahaja na www.skil.com)
- Zavedajte se, da garancija ne vključuje poškodb zaradi preobremenitve orodja ali nepravilne rabe (glede SKILovih garancijskih pogojev obiščite www.skil.com ali povprašajte prodajalca)

OKOLJE

- Elektrilise oodja, baterije, pribora in embalaže ne odstranijate s hišnimi odpadki (samo za države EU)
 - v skladu z Evropsko direktivo 2012/19/EG o odpadni električni in elektronski opremi in z njenim izvajanjem v nacionalni zakonodaji je treba električna orodja ob koncu njihove življenjske dobe ločeno zbirati in jih predati v postopek okolju prijaznega recikliranja
 - ko je potrebno odstranjevanje, naj vas o načinu spomni simbol ⑥
- ! preden akumulator zavrzete, prilepate kontakte z debelejšim izolirnim trakom, da preprečite kratek stik

HRUP / VIBRACIJA

- Raven zvočnega tlaka tega oodja, ki je bila izmerjena v skladu s standardom EN 62841, je 82 dB(A), raven zvočne moči je 90 dB(A) (odstopanje K = 3 dB), skupne vrednosti vibracij 3,46 (triosna vektorska vsota; odstopanje K = 1,5 m/s²)
- Raven oddajanja vibracij je bila izmerjena v skladu s standardiziranimi testi, navedenimi v EN 62841; uporabiti jo je mogoče za primerjavo različnih oodij med seboj in za predhodno primerjavo izpostavljenosti vibracijam pri uporabi oodja za namene, ki so omenjeni
 - uporaba oodja za drugačne namene ali uporaba skupaj z drugimi, slabo vzdrževanimi nastavki lahko znatno poveča raven izpostavljenosti
 - čas, ko je orodje izklopljeno ali ko teče, vendar z njim ne delamo, lahko znatno zmanjša raven izpostavljenosti
- ! pred posledicami vibracij se zaščitite z vzdrževanjem oodja in pripadajočih nastavkov, ter tako, da o vaše roke tople, vaši delovni vzorci pa organizirani

EST

Harjadeta juhtmeta 3715
mitmeotstarbeline lihvmasin

SISSEJUHTATUS

- See tööriist on ette nähtud puidu, plastmaterjalide, metalli, pahtlisegu ja lakitud pindade kuivilhvimiseks
- See tööriist pole mõeldud kipsi lihvimiseks
- Palun lugege käesolev kasutusjuhend hoolikalt läbi ja hoidke alles ③

TEHNILISED ANDMED ①

SEADME OSAD ②

- A Alusketas
- B Tolmukott
- C Töölüüti (sisse/välja)
- D Ohutusavad
- E Aku laetuse astme indikaator

OHUTUS

ÜLDISED OHUTUSNÕUDED ELEKTRILISTE TÖÖRIISTADE KASUTAMISEL

⚠ HOIATUS Lugege kõiki hoiatusi, juhiseid, kirjeldusi ja spetsifikatsioone, mis käivad tööriistaga kaasas. Kui kõiki allpool loetletud juhiseid ei õnnestu järgida, võite saada elektrilöögi, võib tekkida tulekahju ja/või saada raskelt vigastada.

Hoidke kõik ohutusnõuded ja juhised edaspidiseks alles.

Allpool kasutatud mõiste "elektriline tööriist" käib võrgutoitega (toitejuhtmega) elektriliste tööriistade ja akutoitega (ilma toitejuhtmeta) elektriliste tööriistade kohta.

1) OHUTUSNÕUDED TÖÖPIIRKONNAS

- a) Hoidke töökoht puhas ja korras. Segadus või valgustamata tööpiirkonnad võivad põhjustada õnnetusi.
- b) Ärge kasutage seadet plahvatusohtlikus keskkonnas, kus leidub tuleohtlikke vedelikke, gaase või tolmu. Elektrilistest tööriistadest lööb sädemeid, mis võivad tolmu või auru süüdata.
- c) Kui kasutate elektrilist tööriista, hoidke lapsed ja teised isikud töökohast eemal. Kui Teie tähelepanu kõrvale juhitakse, võib seade Teie kontrolli alt väljuda.

2) ELEKTRIOHUTUS

- a) Seadme pistik peab pistikupesasa sobima. Pistiku kallal ei tohi teha mingeid muudatusi. Ärge kasutage kaitsemaandusega seadmete puhul adapterpistikuid. Muutmata pistikud ja sobivad pistikupesad vähendavad elektrilöögi saamise riski.
 - b) Vältige kehakontakti maandatud pindadega, nagu torud, radiaatorid, pliidid ja külmikud. Kui Teie keha on maandatud, on elektrilöögi risk suurem.
 - c) Hoidke seadet vihma ja niiskuse eest. Kui elektriseadmesse on sattunud vett, on elektrilöögi saamise risk suurem.
 - d) Ärge kasutage toitejuhet selleks mitte ettenähtud otstarbel seadme kandmiseks, ülesriputamiseks ega pistiku pistikupesast väljatõmbamiseks. Hoidke toitejuhet kuumuse, õli, teravate servade ja seadme liikuvate osade eest. Kahjustatud või keerduläinud toitejuhtmed suurendavad elektrilöögi saamise riski.
 - e) Kui töötate elektrilise tööriistaga vabas õhus, kasutage ainult selliseid pikendusjuhtmeid, mida on lubatud kasutada ka välistingimustes. Välistingimustes kasutamiseks sobiva pikendusjuhtme kasutamine vähendab elektrilöögi saamise riski.
 - f) Kui elektrilise tööriista kasutamine niiskes keskkonnas on vältimatu, kasutage maandusega lekkevoolukaitset. Maandusega lekkevoolukaitsme kasutamine vähendab elektrilöögi ohtu.
- #### 3) INIMESTE TURVALISUS
- a) Olge tähelepanelik, jälgige, mida Te teete, ning toimige elektrilise tööriistaga töötades mõistlikult. Ärge kasutage seadet, kui olete väsinud või uimastite, alkoholi või ravimite mõju all. Hetkeline tähelepanematus seadme kasutamisel võib põhjustada tõsiseid vigastusi.
 - b) Kandke isikukaitsevahendeid ja alati kaitseprille. Isikukaitsevahendid, nagu tolumask, libisemiskindlad turvajalatsid, kaitsekiiver või kuulmiskaitsevahendid, kandmine – sõltuvalt elektrilise tööriista tüübist ja kasutusala – vähendab vigastuste riski.
 - c) Vältige seadme tahtmatut käivitamist. Enne pistiku

ühendamist pistikupesasa, aku ühendamist seadme külge, seadme ülestõstmist ja kandmist veenduge, et elektriline tööriist on välja lülitatud. Kui hoiate elektrilise tööriista kandmisel sõrme lüliti või ühendate vooluvõrku sisselülitatud seadme, võivad tagajärjeks olla õnnetused.

- d) **Enne seadme sisselülitamist eemaldage selle küljest reguleerimis- ja nutrivõtmed.** Seadme pöörleva osa küljes olev reguleerimis- või nutrivõti võib põhjustada vigastusi.
- e) **Ärge hinnake end üle. Võtke stabiilne tööasend ja hoidke kogu aeg tasakaalu.** Nii saate seadet ootamatutes olukordades paremini kontrollida.
- f) **Kandke sobivat rõivastust. Ärge kandke laiu riideid ega ehteid. Hoidke juuksed ja rõivad seadme liikuvatest osadest eemal.** Lotendavad riided, ehted või pikad juuksed võivad sattuda seadme liikuvate osade vahele.
- g) **Kui on võimalik paigaldada tolmuemaldus- ja tolmu kogumisseadiseid/seadmeid, veenduge, et need oleksid seadmega ühendatud ja et neid kasutatakse õigesti.** Tolmuemaldusseadise kasutamine vähendab tolmu põhjustatud ohtu.
- h) **Ärge muutuge tööriista sagedasest kasutamisest hooletuks ja ärge eirake ohutusnõudeid.** Hooletus võib sekundi mürdosa jooksul kaasa tuua raskeid vigastusi.
- 4) ELEKTRILISTE TÖÖRIISTADE HOOLIKAS KÄSITSEMINE JA KASUTAMINE**
- a) **Ärge koormake seadet üle. Kasutage töö tegemiseks selleks ettenähtud elektrilist tööriista.** Sobiva elektrilise tööriista tööotade paremini ja turvalisemalt ettenähtud võimsusvahemikus.
- b) **Ärge kasutage elektrilist tööriista, mille lüliti on rikkis.** Elektriline tööriist, mida ei ole enam võimalik sisse ja välja lülitada, on ohtlik ning seda tuleb remontida.
- c) **Tõmmake pistik pistikupesast välja ja/või eemaldage seadmest aku, kui on eemaldatav, enne seadme reguleerimist, tarvikute vahetamist ja seadme ärapanekut.** See ettevaatusabinõu väldib seadme tahtmatut käivitamist.
- d) **Kasutusvälisel ajal hoidke elektrilisi tööriistu lastele kättesaamatult. Ärge laske seadet kasutada isikutel, kes seda ei tunne või pole siintoodud juhiseid lugenud.** Kogenematute kasutajate käes kujutavad elektrilised tööriistad ohtu.
- e) **Hoolitsege elektriliste tööriistade ja tarvikute eest korralikult.** Kontrollige, kas seadme liikuvad osad funktsioneerivad korralikult ja ei kiildu kinni, ning ega mõned osad ei ole katki või sel määral kahjustatud, et võiksid mõjutada seadme töökindlust. Laske kahjustatud osad enne seadme kasutamist parandada. Paljude õnnetuste põhjuseks on halvasti hooldatud elektrilised tööriistad.
- f) **Hoidke lõiketarvikud teravad ja puhtad.** Hoolikalt hoitud, teravate lõikeservadega lõiketarvikud kiilduvad harvemini kinni ja neid on lihtsam juhtida.
- g) **Kasutage elektrilist tööriista, lisavarustust, tarvikuid jne vastavalt siintoodud juhistele. Arvestage seejuures töötingimuste ja teostatava töö iseloomuga.** Elektriliste tööriistade kasutamine mitte ettenähtud otstarbel võib põhjustada ohtlikke olukordi.
- h) **Hoidke käepidemed ja haardepinnad kuiva ja**

puhtana ning vabana õlist ja määrdeainetest.

Libedad käepidemed ja haardepinnad ei luba tööriista ohutult käsitseda ja ootamatutes olukordades kontrolli all hoida.

5) AKUTÖÖRIISTADE HOOLIKAS KÄSITSEMINE JA KASUTAMINE

- a) **Laadige akusid ainult tootja poolt soovitatud akulaadijatega.** Akulaadija, mis sobib teatud tüüpi akudele, muutub tuleohtlikuks, kui seda kasutatakse teiste akudega.
- b) **Kasutage elektrilistes tööriistades ainult selleks ettenähtud akusid.** Teiste akude kasutamine võib põhjustada vigastusi ja tulekahjuohtu.
- c) **Hoidke kasutusel mitteolevad akud eemal kirjaklambritest, müntidest, võtmetest, naeltest, kruvidest või teistest väikestest metallsemetest, mis võivad kontaktid omavahel ühendada.** Akukontaktide vahel tekkinga lühise tagajärjeks võivad olla põletused või tulekahju.
- d) **Väärkasutage korral võib akudelil välja voolata. Vältige sellega kokkupuudet. Juhusliku kokkupuute korral loputage kahjustatud kohta veega. Kui vedelik satub silma, pöörduge lisaks arsti poole.** Väljavoolav akudelil võib põhjustada nahaärritust või põletust.
- e) **Ärge kasutage akut ega tööriista, mis on kahjustada saanud või mida on modifitseeritud.** Kahjustada saanud või modifitseeritud akud võivad põhjustada tulekahju, plahvatuse, kehavigastusi ja varalist kahju.
- f) **Kaitske akut ja elektrilist tööriista leekide ja väga kõrgete temperatuuride eest.** Kokkupuude leekidega või üle 130°C temperatuuriga võib põhjustada plahvatuse.
- g) **Järgige kõiki laadimisjuhiseid ja ärge laadige akut väljaspool juhistes määratletud temperatuurivahemikku.** Nõuetele mittevastav laadimine või laadimine väljaspool ettenähtud temperatuurivahemikku võib akut kahjustada ja suurendada tulekahju ohtu.
- 6) TEENINDUS**
- a) **Laske seadet parandada ainult kvalifitseeritud spetsialistidel ja ainult originaalvaruosadega.** Nii tagate seadme püsimise turvalisena.
- b) **Ärge kunagi käidelda kahjustada saanud akusid.** Akusid võivad käidelda vaid tootja esindajad või volitatud hooldekeskuse töötajad.

OHUTUSJUHISED LIHVMAŠINATE KOHTA

ÜLDIST

- Tööriista kasutaja peab olema vähemalt 16 aastat vana
- See tööriist ei sobi märglihvimiseks
- **Asbestisisaldava materjali töötlemine on keelatud** (asbest võib tekitada vähki)
- Enne tööriista reguleerimist või tarvikute vahetust võtke aku välja

TARVIKUD

- SKIL tagab seadme häireteta töö üksnes originaaltarvikute kasutamisel
- Ärge kasutage ülemäära kulunud, rebenenud või muul viisil vigastatud lihvpabereid

ENNE KASUTAMIST

- Vältige töödeldavas esemes olevatest kruvidest, naeltest vms põhjustatud kahjustusi; eemaldage need enne töö

alustamist

- Töötamise ajal võib müratase ületada 85 dB(A); kandke kuulmiskaitsevahendeid
- Värviga kaetud juhtmed, mõned puiduliigid, mineraalid ja metall eraldavad tolmu, mis võib olla kahjulik (kokkupuude tolmuuga või selle sissehingamine võib seadme kasutajal või läheduses viibivatel inimestel põhjustada allergilisi reaktsioone ja/või hingamisteede haigusi); **kandke tolumumaski ja vajaduse korral töötage külgeühendatava tolmuemaldusseadmega**
- Teatud tüüpi tolmu on klassifitseeritud kantserogeensena (nt tammest ja kasest eralduv tolmu), eriti koos puidu niiskuse reguleerimiseks kasutatavate lisanditega; **kandke tolumumaski ja vajaduse korral töötage külgeühendatava tolmuemaldusseadmega**
- Erinevate materjalide töötlemisel tekkiva tolmu käitlemisel tuleb järgida kehtivaid nõudeid
- Metallide lihvimisel lendub sademeid; ärge kasutage tolmu kotti ning jälgige, et läheduses ei oleks teisi inimesi ega tuleohtlikke materjale

KASUTAMISE AJAL

- Vältige kokkupuudet liikuva lihvpaperiga
- Seadme elektrilise või mehhaanilise häire korral lülitage seade viivitamata välja ja eemaldage aku

PÄRAST KASUTAMIST

- Enne tööriista juurest lahkumist lülitage see välja ning oodake, kuni selle liikuvad osad on täielikult seiskunud

AKUD

- **Kaasasolev aku (kui selline komplektis sisaldub) on osaliselt laetud** (aku täisjõudluse tagamiseks laadige aku enne elektrilise tööriista esimest kasutamist akulaadidajas korralikult täis)
- **Kasutage selle tööriistaga ainult järgmisi akusid ja laadijaid**
 - SKILi aku: BR1*31****
 - SKILi laadija: CR1*31****
- Ärge kasutage kahjustatud akusid, vaid vahetage need välja
- Ärge võtke akut lahti
- Ärge jätke tööriista/akut vihma kätte
- Ümbritseva keskkonna lubatud temperatuur (tööriista/laadijat/akut):
 - laadimisel 4...40°C
 - töötamisel -20...+50°C
 - säilitamisel -20...+50°C

TÖÖRIISTAL/AKUL OLEVATE SÜMBOLITE SELGITUS

- ③ Enne kasutamist tutvuge kasutusjuhendiga
- ④ Tulle visatud akud plahvatavad, seepärast ei tohi akut mingil põhjusel põletada
- ⑤ Hoidke tööriista/laadijat/akut toatemperatuuril vahemikus 0° kuni 50°C
- ⑥ Ärge visake kasutusõlmatuks muutunud elektrilisi tööriistu ja patareisid ära koos olmejäätmetega

KASUTAMINE

- Aku laadimine
 - ! lugege laadijaga kaasasolevaid ohutusohiatusi ja juhiseid

- Aku eemaldamine/paigaldamine ②
- Aku laetuse astme näidik ⑦
 - vajutage aku täitetaseme nuppu E, et kuvada praegune aku täitetas ⑦a
 - ! kui aku laetuse indikaatori madalam tase hakkab vilkuma, vajutades nupuke E ⑦b, on aku tühi
 - ! kui 2 taseme aku laetuse indikaatoril hakkavad vilkuma, vajutades nupule E ⑦c, ei ole aku selle lubatud töötemperatuuri vahemikus
- Aku kaitse
 - Tööriist lülitatakse järsku välja või takistatakse selle sisselülitamist, kui
 - koormus on liiga suur --> eemaldage koormus ja taaskäivitage
 - aku temperatuur ei ole lubatud töötemperatuuri vahemikus -20 kuni +50 °C --> 2 aku laetuse taseme indikaatorid hakkavad vilkuma, kui vajutatakse nuppu E ⑦c; oodake, kuni aku naaseb lubatud töötemperatuuri vahemikku
 - aku on peaaegu tühi (et kaitsta täieliku tühjenemise eest) --> madal akutase või vilkuv madal akutase ⑦b kuvatakse aku laetuse astme indikaatoril, vajutades nupule E; laadige akut
 - ! ärge vajutage enam lülile (sisse/välja), kui tööriist on end automaatselt välja lülitanud, sest see võib akut kahjustada
- Lihvpaberi kinnitamine ⑧
 - ! enne tööriista reguleerimist või tarvikute vahetust võtke aku välja
 - ! tolmu eemaldamiseks vajate aukudega lihvpaperit
 - ! lihvpaperi augud peaksid lihvplaadi omadega ühtima
 - ! vahetage kulunud lihvpaper õigeaegselt välja
 - ! kasutage tööriista ainult siis, kui kogu lihvimispiind on lihvpaperiga kaetud
 - paigaldage vastavalt joonisele VELCRO lihvpaper
- Tolmu eemaldamine
 - ! ärge kasutage tolmu kotti metalli lihvimisel
 - Tolmukott ⑨
 - paigaldage sinna tolmu kotti B
 - tühjendage tolmu kotti regulaarselt tagab optimaalse tolmuimevõimsuse säilimise
- Töölülit (sisse/välja)
 - seadme sisselülitamiseks lükake töölülit C ② ettepoole, väljalülitamiseks tahapoole
 - ! enne lihvitava pinna kokkupuutumist töödeldava esemega tuleb tööriist sisse lülitada
 - ! enne tööriista väljalülitamist tuleb see töödeldavalt esemelt eemaldada
- Tööriista hoidmine ja juhtimine ⑩
 - ! töötamise ajal hoidke tööriista kinni korpuse ja käepideme halli värvi osadest
 - hoidke tööriista paralleelselt töödeldava pinnaga
 - ärge suruge tööriistale liigselt; laske lihvitava pinnal enda heaks töötada
 - vältimaks soovimatuid lihvimisjärgi ärge kallutage tööriista
 - hoidke õhutusavad D ② kinnikatmata

TÖÖJUHISED

- Kasutage tööriista suurte pindade, nurkade ja servade ⑪ lihvimiseks
- Ärge kunagi töödelge ühe ja sama lihvpaperiga puitu ja

metalli

- Lihvpaberi soovitatav karedus:
 - värvi eemaldamiseks ja väga ebatasase puidu lihvimiseks kasutage jämedate teradega suurus (40, 60)
 - kareda või tavalise puidu lihvimiseks kasutage keskmiste teradega suurus (80, 100, 120)
 - puidu ja vana värviga pindade silendamiseks ning palja puidu viimistlemiseks kasutage peene teraa suurus (180, 240, 320)
- Kui töödeldav pind on kare, kasutage erineva karedusega lihvpabereid:
 - lihvide algul jämeda või keskmise karedusega lihvpaberiga
 - lõpetage vähekareda lihvpaberiga
- Lisateavet lugege aadressilt www.skil.com

HOOLDUS/TEENINDUS

- Hoidke seade ja toitejuhe alati puhtad (eriti õhusavas D ②)
 - külgekleepunud lihvimistolm eemaldage pintsliga
 - enne puhastamist eemaldage tööriistast aku
- Tööriist on hoolikalt valmistatud ja testitud; kui tööriist sellest hoolimata rikki läheb, tuleb see lasta parandada SKILi elektriliste käsitööriistade volitatud remonditöökojas
 - toimetage **lahtimonteerimata** seade koos ostukuutungiga tarnijale või lähimasse SKILi lepingulisse töökotta (aadressid ja tööriista varuosade joonise leiata aadressil www.skil.com)
- Arvestage sellega, et garantii ei hõlma seadme ülekoormamisest või ebaõigest käsitsemisest tulenevaid kahjustusi (teavet SKILi garantiitingimuste kohta vaadake veebilehelt www.skil.com või küsige kohalikult müügiesindajalt)

KESKKOND

- **Ärge visake kasutuskõlbmatuks muutunud elektrilisi tööriistu, patareisid, lisatarvikuid ja pakendeid ära koos olmejäätmetega** (üksnes EL liikmesriikidele)
 - vastavalt Euroopa Parlamendi ja nõukogu direktiivile 2012/19/EÜ elektri- ja elektroonikaseadmete jäätmete kohta ning direktiivi nõuete kohaldamisele liikmesriikides tuleb kasutuskõlbmatuks muutunud elektrilised tööriistad koguda eraldi ja keskkonnasäästlikult korduvkasutada või ringlusse võtta
 - seda meenutab Teile sümbol ⑥
- ! enne aku kahjutustamist katke selle otsad kaitseks tugeva teibiga, et vältida lühisahela teket**

MÜRA / VIBRATSIION

- Standardiga EN 62841 kooskõlas mõõdetud tööriista helirõhu tase on 82 dB(A) ja helivõimsuse tase 90 dB(A) (määramatus K = 3 dB), ja vibratsioon 3,46 m/s² (ruumiliste vektorite summa; mõõtemääramatus K = 1,5 m/s²)
- Tekkiva vibratsiooni tase on mõõdetud vastavalt standardis EN 62841 kirjeldatud standarditud testile; seda võib kasutada tööriistade võrdlemiseks ja tööriista kasutamisel ettenähtud töödeks esineva vibratsiooni esialgselt hindamiseks

- tööriista kasutamisel muudeks rakendusteks või teiste/halvasti hooldatud tarvikute kasutamisel võib vibratsioon märkimisväärselt **suureneda**
 - ajal, kui tööriist on väljalülitatud või on küll sisselülitatud, kuid tegelikult seda ei kasutata, võib vibratsioon märkimisväärselt **väheneda**
- ! enda kaitsmiseks vibratsiooni eest hoolitage tööriista ja selle tarvikuid korralikult, hoidke oma käed soojad ja tagage sujuv töökorraldus**

LV

Bezvadu ekscentra slīpmašīna 3715 ar BL motoru

IEVADS

- Šis instruments ir paredzēts koka, plastmasas, metāla, pildvielas un krāsotu virsmu sausai slīpēšanai
- Šis instruments nav paredzēts gīpša slīpēšanai
- Izlasiet un saglabājiet šo pamācību ③

TEHNISKIE PARAMETRI ①

INSTRUMENTA ELEMENTI ②

- A Slīpēšanas pamatne
- B Putekļu maiss
- C Ieslēgšanas/izslēgšanas slēdzis
- D Ventilācijas atveres
- E Akumulatora uzlādes pakāpes indikators

DROŠĪBA

VISPĀRĒJIE NOTEIKUMI ELEKTROINSTRUMENTU DROŠAI LIETOŠANAI

BRĪDINĀJUMS Iepazīstieties ar visiem šī elektroinstrumenta drošas lietošanas noteikumiem, norādījumiem, attēliem un specifikācijām. Visu turpmāk sniegto norādījumu neizpildes rezultātā lietotājs var ciest no elektrošoka, var izvērsties ugunsnelaime un/vai rasties smagi ievainojumi.

Saglabājiet visus noteikumus un norādījumus turpmākai atsaucēi.

Noteikumos minētais termins "elektroinstruments" nozīmē ar strāvu darbināmu (ar vadu aprīkotu) vai ar akumulatoru darbināmu (bezvadu) elektroinstrumentu.

1) DROŠĪBA DARBA VIETĀ

- Sekojiēt, lai darba vieta būtu tīra un sakārtota.** Nekārtīgā darba vieta vai sliktā apgaismojumā var viegli notikt nelaimes gadījums.
- Nelietojiet elektroinstrumentu eksplozīvu vai ugunsdrošu vielu tuvumā un vietās ar paaugstinātu gāzes vai putekļu saturu gaisā.** Darba laikā instruments nedaudz dzirksteļo, un tas var izsaukt viegli degošu putekļu vai tvaiku aizdegšanos.
- Lietojot elektroinstrumentu, neļaujiet nepiederošām personām un jo īpaši bērniem tuvoties darba vietai.** Citu personu klātbūtne var novērst uzmanību, un tā

rezultātā jūs varat zaudēt kontroli pār instrumentu.

2) ELEKTRODROŠĪBA

- a) Elektroinstrumenta kontaktdakšai jābūt piemērotai elektrotīkla kontaktligzdai. Kontaktdakšas konstrukciju nedrīkst nekādā veidā mainīt. Nelietojiet kontaktdakšas salāgotājus, ja elektroinstruments caur kabeli tiek savienots ar aizsargzēmējuma ķēdi. Neizmainītas konstrukcijas kontaktdakša, kas piemērota kontaktligzdai, ļauj samazināt elektriskā trieciena saņemšanas risku.
 - b) **Darba laikā nepieskarieties sazemētiem priekšmetiem, piemēram, caurulēm, radiatoriem, plītiņiem vai ledusskapjiem.** Pieskaroties sazemētām virsmām, pieaug risks saņemt elektrisko triecienu.
 - c) **Nelietojiet elektroinstrumentu lietus laikā, neturiet to mitrumā.** Mitrumam iekļūstot instrumentā, pieaug risks saņemt elektrisko triecienu.
 - d) **Nenesiet un nepiekariet elektroinstrumentu aiz elektrokabeļa. Neraujiet aiz kabeļa, ja vēlaties atvienot instrumentu no elektrotīkla kontaktligzdas. Sargājiet elektrokabeli no karstuma, eļļas, asām šķautnēm un instrumenta kustīgajām daļām.** Bojāts vai samezģojies elektrokabelis var būt par cēloni elektriskajam triecienam.
 - e) **Darbinot elektroinstrumentu ārpus telpām, izmantojiet tā pievienošanai vienīgi tādus pagarinātājkabeļus, kuru lietošana ārpus telpām ir atļauta.** Lietojot elektrokabeli, kas piemērots darbam ārpus telpām, samazinās risks saņemt elektrisko triecienu.
 - f) **Ja elektroinstrumentu tomēr nepieciešams lietot vietās ar paaugstinātu mitrumu, izmantojiet tā pievienošanai noplūdes strāvas aizsargreleju.** Lietojot noplūdes strāvas aizsargreleju, samazinās risks saņemt elektrisko triecienu.
- ## 3) PERSONISKĀ DROŠĪBA
- a) **Darba laikā saglabājiet paškontroli un rīkojieties saskaņā ar veselo saprātu. Pārtrauciet darbu, ja jūtaties noguris vai atrodaties alkohola, narkotiku vai medikamentu izraisītā reibumā.** Strādājot ar elektroinstrumentu, pat viens neuzmanības mirklis var būt par cēloni nopietnam savainojumam.
 - b) **Izmantojiet individuālos darba aizsardzības līdzekļus un darba laikā vienmēr nēsājiet aizsargbrilles.** Individuālo darba aizsardzības līdzekļu (putekļu maskas, neslidošu apavu un aizsargķiveres vai ausu aizsargu) pielietošana atbilstoši elektroinstrumenta tipam un veicamā darba raksturam ļauj izvairīties no savainojumiem.
 - c) **Nepieļaujiet elektroinstrumenta patvaļīgu ieslēgšanos. Pirms elektroinstrumenta pievienošanas elektrotīklam, akumulatora ievietošanas vai izņemšanas, kā arī pirms elektroinstrumenta pārņemšanas pārliecinieties, ka tas ir izslēgts.** Pārņemot elektroinstrumentu, ja pirksts atrodas uz ieslēdzēja, kā arī pievienojot to elektrobarošanas avotam laikā, kad elektroinstruments ir ieslēgts, var viegli notikt nelaimes gadījums.
 - d) **Pirms instrumenta ieslēgšanas neaizmirstiet izņemt no tā regulējošos instrumentus vai skrūvjatslēgas.** Patronatslēga vai skrūvjatslēga, kas instrumenta ieslēgšanas brīdī nav izņemta no tā, var radīt savainojumu.

- e) **Strādājot ar elektroinstrumentu, ieturiet stingru stāju. Darba laikā vienmēr saglabājiet līdzsvaru un centieties nepaslidēt.** Tas atvieglos instrumenta vadību neparedzētās situācijās.
 - f) **Izvēlieties darbam piemērotu apģērbu. Darba laikā nenēsājiet brīvi plandošas drēbes un rotaslietas. Netuviniet garus matus un drēbes elektroinstrumenta kustīgajām daļām.** Vaļīgas drēbes, rotaslietas un gari mati var iekerties instrumenta kustīgajās daļās.
 - g) **Ja elektroinstrumenta konstrukcija ļauj tam pievienot ārējo putekļu uzsūkšanas vai savākšanas/uzkrāšanas ierīci, sekojiet, lai tā tiktu pievienota elektroinstrumentam un pareizi darbotos.** Pielietojot putekļu uzsūkšanu vai savākšanu/uzkrāšanu, samazinās to kaitīgā ietekme uz strādājošās personas veselību.
 - h) **Nepaļaujieties uz iemaņām, kas tiek iegūtas, bieži lietojot instrumentus, neieslēgstiet pašapmierinātībā un neignorējiet instrumenta drošas lietošanas principus.** Neuzmanīgas rīcības dēļ dažās sekundēs daļās var gūt nopietnu savainojumu.
- ## 4) ELEKTROINSTRUMENTU LIETOŠANA UN APKOPE
- a) **Nepārslogojiet elektroinstrumentu. Katram darbam izvēlieties piemērotu instrumentu.** Elektroinstruments darbosies labāk un drošāk pie nominālās slodzes.
 - b) **Nelietojiet elektroinstrumentu, ja ir bojāts tā ieslēdzējs.** Elektroinstruments, ko nevar ieslēgt un izslēgt, ir bīstams lietošanai un to nepieciešams remontēt.
 - c) **Pirms elektroinstrumenta apkopes, regulēšanas vai darbinstrumenta nomaiņas atvienojiet tā kontaktdakšu no barojošā elektrotīkla vai izņemiet no tā akumulatoru, ja tas ir izņemams.** Šādi iespējams samazināt elektroinstrumenta nejaušas ieslēgšanas risku.
 - d) **Elektroinstrumentu, kas netiek darbināts, uzglabājiet piemērotā vietā, kur tas nav sasniedzams bērniem un personām, kuras neprot rīkoties ar instrumentu.** Ja elektroinstrumentu lieto nekompetentas personas, tas var apdraudēt cilvēku veselību.
 - e) **Savlaicīgi apkalpojiet elektroinstrumentus un to piederumus. Pārbaudiet, vai kustīgās daļas darbojas bez traucējumiem un nav iespīlētas, vai kāda no daļām nav salauzta vai bojāta, vai katra no tām pareizi funkcionē un pilda tai paredzēto uzdevumu. Nodrošiniet, lai bojātās daļas tiktu savlaicīgi nomainītas vai remontētas pilnvarotā remontu darbnīcā.** Daudzi nelaimes gadījumi notiek tāpēc, ka elektroinstruments pirms lietošanas nav pienācīgi apkalpots.
 - f) **Savlaicīgi notīriet un uzasiniet griezošos darbinstrumentus.** Rūpīgi kopti instrumenti, kas apgādāti ar asiem griezējinstrumentiem, ļauj strādāt daudz ražīgāk un ir vieglāk vadāmi.
 - g) **Lietojiet vienīgi tādus elektroinstrumentus, papildpiederumus, darbinstrumentus utt., kas paredzēti attiecīgajam pielietojuma veidam. Bez tam jāņem vērā arī konkrētie darba apstākļi un pielietojuma īpatnības.** Elektroinstrumentu lietošana citiem mērķiem, nekā to ir paredzējusi ražotājfirma, ir bīstama un var novest pie neparedzamām sekām.
 - h) **Uzturiet elektroinstrumenta rokturus un**

noturvirmsmas sausas un tīras, sargājiet tās no eļļas un smērvielām. Slīdeni rokturi un noturvirmsmas traucē efektīvi rīkoties ar elektroinstrumentu un to droši vadīt neparedzētās situācijās.

5) AKUMULATORA ELEKTROINSTRUMENTU LIETOŠANA

a) Akumulatora uzlādei lietojiet tikai tādu uzlādes ierīci, ko ir ieteikusi elektroinstrumenta ražotājfirma.

Katra uzlādes ierīce ir paredzēta tikai noteikta tipa akumulatoram, un mēģinājums to lietot cita tipa akumulatoru uzlādei var novest pie uzlādes ierīces un/ vai akumulatora aizdegšanās.

b) Pievienojiet elektroinstrumentam tikai tādu akumulatoru, ko ir ieteikusi instrumenta ražotājfirma. Cita tipa akumulatoru lietošana var novest pie elektroinstrumenta un/vai akumulatora aizdegšanās.

c) Laikā, kad akumulators ir atvienots no elektroinstrumenta, nepieļaujiet, lai tā kontakti saskartos ar saspaudēm, monētām, atslēgām, naglām, skrūvēm vai citiem nelieliem metāla priekšmetiem, kas varētu izraisīt īsslēgumu. Īsslēgums starp akumulatora kontaktiem var izsaukt tā aizdegšanos un būt par cēloni ugunsgrēkam.

d) Nepareizi lietojot akumulatoru, no tā var izplūst šķidrās elektrolīts. Nepieļaujiet, ka elektrolīts nonāktu saskarē ar ādu. Ja tas tomēr nejausi ir noticis, noskalojiet elektrolītu ar ūdeni. Ja elektrolīts nonāk acīs, nekavējoties griezieties pie ārsta. No akumulatora izplūdušais elektrolīts var izsaukt ādas iekaisumu vai pat apdegumu.

e) Nelietojiet akumulatoru vai elektroinstrumentu, ja tas ir bojāts vai modificēts. Bojāti vai modificēti akumulatori var radīt neparedzētas situācijas, kuru rezultātā var notikt aizdegšanās vai sprādziens, kā arī var rasties savainojuma risks.

f) Neturiet elektroinstrumentu vai akumulatoru uguns tuvumā vai vietā ar augstu temperatūru. Elektroinstrumenta vai akumulatora atrašanās uguns tuvumā vai vietā, kur temperatūra pārsniedz 130°C, var izraisīt sprādzienu.

g) Levērojiet visas uzlādes instrukcijas un neuzlādējiet akumulatoru vai elektroinstrumentu pie temperatūras, kas atrodas ārpus instrukcijā norādīto pieļaujamo temperatūras vērtību diapazona robežām. Uzlādējot akumulatoru neatbilstošā veidā vai pie temperatūras, kas atrodas ārpus pieļaujamo temperatūras vērtību diapazona robežām, tas var tikt bojāts, kā arī var pieaugt aizdegšanās risks.

6) APKALPOŠANA

a) Nodrošiniet, lai Instrumenta remontu veiktu kvalificēts personāls, nomaīnai izmantojot oriģinālās rezerves daļas un piederumus. Tikai tā iespējams panākt instrumenta ilgstošu un nevainojamu darbību bez atteikumiem.

b) Nekādā gadījumā neveiciet bojātu akumulatoru apkalpošanu. Akumulatoru apkalpošanu drīkst veikt tikai ražotājfirma vai pilnvarots servisa speciālists.

DARBA DROŠĪBAS NOTEIKUMI SLĪPMAŠĪNĀM

VISPĀRĒJA INFORMĀCIJA

- Šo instrumentu nedrīkst izmantot personas, kas jaunākas

par 16 gadiem

- Šis instruments nav paredzēts mitrai slīpēšanai
- **Neapstrādājiet materiālus, kas satur azbestu** (azbestam piemīt kancerogēnas īpašības)
- Pirms instrumenta regulēšanas vai piederumu nomaīņas izņemiet no instrumenta akumulatoru

PIEDERUMI

- Firma SKIL garantē instrumenta nevainojamu darbību tikai tad, ja tiek lietoti oriģinālie papildpiederumi
- Nelietojiet nolietotas, deformētas vai stipri piesārņotas slīpēšanas loksnes

PIRMS DARBA UZSĀKŠANAS

- Izvairieties no instrumenta bojājumiem, ko var radīt apstrādājamajā priekšmetā esošās skrūves, naglas vai citi līdzīgi objekti; pirms darba uzsākšanas atbrīvojiet apstrādājamo materiālu no šādiem priekšmetiem
- Darba laikā instrumenta radītā trokšņa līmenis var pārsniegt 85 dB(A); lietojiet ausu aizsargus
- Materiāla, piemēram svīnu saturošas krāsas, dažu koka šķirņu, minerālu un metāla, putekļi var būt kaitīgi (saskare ar putekļiem vai to ieelpošana var izraisīt alerģiskas reakcijas un/vai elpošanas ceļu saslimšanas operatoram vai klātesošajiem); **izmantojiet putekļu masku un putekļsūcēju, ja to iespējams pievienot**
- Dažu veidu putekļi ir klasificēti kā kancerogēni (piemēram, ozola vai dižskābarža putekļi), jo īpaši apvienojumā ar koksnes kondicionēšanas piedevām; **izmantojiet putekļu masku un putekļsūcēju, ja to iespējams pievienot**
- Levērojiet ar putekļu savākšanu saistītos nacionālos noteikumus, kas attiecas uz apstrādājamajiem materiāliem
- Darba laikā nēsājiet aizsargcimdus un aizsargbrilles, uzvelciet pieguļošas drēbes un nosedziet matus ar saturošu galvassegu (ja jums ir gari mati)
- **Nostipriniet apstrādājamo detaļu** (to ir drošāk nostiprināt ar spailēm vai skrūvspīlēm, nevis turēt rokā)
- Slīpējot metālu, veidojas dzirksteles; šādā gadījumā neizmantojiet putekļu konteineru un sekojiet, lai darba vietas tuvumā neatrastos citas personas vai ugunsnedroši materiāli

DARBA LAIKĀ

- Nepieskarieties kustīgajai slīpēšanas loksnei
- Elektriska vai mehāniska rakstura kļūmes gadījumā nekavējoties izslēdziet instrumentu un izņemiet akumulatoru

PĒC DARBA PABEIGŠANAS

- Pirms instrumenta novietošanas izslēdziet tā elektrodzinēju un nogaidiet, līdz ir pilnīgi apstājušās visas instrumenta kustīgās daļas

AKUMULATORI

- **Komplektā iekļautais akumulators, ja tāds ir, nav pilnībā uzlādēts** (lai nodrošinātu pilnu akumulatora jaudu, pirms elektroinstrumenta pirmās izmantošanas reizes uzlādējiet to pilnībā, izmantojot uzlādes ierīci)
- **Izmantojiet tikai instrumenta piegādes komplektā ietilpstošos akumulatorus un uzlādes ierīces**
 - SKIL akumulators: BR1*31****
 - SKIL uzlādes ierīce: CR1*31****
- Nelietojiet bojātu akumulatoru; tas nekavējoties jānomaina
- Neizjauciet akumulatoru
- Neatstājiet instrumentu/akumulatoru lietū
- Pieļaujama apkārtējā gaisa temperatūra (instrumenta/ lādētājs/akumulators):

- uzlādes laikā 4...40°C
- darba laikā -20...+50°C
- uzglabāšanas laikā -20...+50°C

UZ INSTRUMENTA/AKUMULATORA ATTĒLOTO SIMBOLU SKAIDROJUMS

- ③ Pirms izstrādājuma lietošanas izlasiet tā lietošanas pamācību
- ④ Nekādā gadījumā neievietojiet akumulatoru ugunī, jo tas var izraisīt sprādzienu
- ⑤ Uzglabājiet instrumentu, uzlādes ierīci un akumulatoru vietā, kur temperatūra nepārsniedz 50°C
- ⑥ Neizmetiet elektroiekārtas un baterijas ar sadzīves materiālus atkritumu

DARBS

- Akumulatora uzlādēšana
 - ! **izlasiet uzlādes ierīces komplektā iekļautos drošas lietošanas noteikumus un norādījumus**
- Akumulatora izņemšana/ievietošana ②
- Akumulatora uzlādes pakāpes indikators ⑦
 - lai uzzinātu akumulatora uzlādes līmeni ⑦a, nospiediet akumulatora līmeņa rādītāja pogu E
 - ! **ja pēc pogas E ⑦b nospiešanas sāk mirgot zemākā akumulatora līmeņa rādītāja iedaļa, akumulators ir tukšs**
 - ! **ja pēc pogas E ⑦c nospiešanas sāk mirgot akumulatora līmeņa rādītāja iedaļas 2, akumulatora temperatūra ir ārpus atļautā darba diapazona**
- Akumulatora aizsardzība
 - lerīce tiek tūlīt izslēgta vai arī to nav iespējams ieslēgt, ja
 - **slodze ir pārāk liela** --> samaziniet slodzi un ieslēdziet to no jauna
 - **akumulatora temperatūra ir ārpus atļautā darba diapazona no -20 līdz +50 °C** --> nospiežot pogu E ⑦c, sāk mirgot akumulatora 2 līmeņa rādītāja iedaļas; pagaidiet, līdz akumulatora temperatūra atkal ir atļautajā darba diapazonā
 - **akumulators ir gandrīz tukšs (aizsardzībai pret pilnīgu izlādi)** --> nospiežot pogu E, akumulatora līmeņa rādītājā ir attēlota zemākā akumulatora līmeņa rādītāja iedaļa vai mirgojoša zemākā akumulatora līmeņa rādītāja iedaļa ⑦b; uzlādējiet akumulatoru
 - ! **pēc instrumenta automatiskas izslēgšanās nedrīkst spiest tā ieslēdzēju, jo tā var sabojāt akumulatoru**
- Slīpēšanas loksnes nostiprināšana ⑧
 - ! **pirms instrumenta regulēšanas vai piederumu nomaiņas izņemiet no instrumenta akumulatoru**
 - ! **ja vēlaties pielietot putekļu uzsūkšanu, lietojiet perforētas slīpēšanas loksnes**
 - ! **atvērumiem slīpēšanas loksne jāsakrīt ar atvērumiem slīpēšanas pamatnē**
 - ! **savlaicīgi nomainiet nolietotās slīpēšanas loksnes**
 - ! **strādājiet ar instrumentu vienīgi tad, ja visa tās pamatne ir nosepta ar slīpēšanas loksni**
 - nostipriniet VELCRO tipa (pašnoturošas) slīpēšanas loksnes, kā parādīts attēlā
- Putekļu uzsūkšana
 - ! **nelietojiet putekļu maisu, slīpējot metālu**
 - Putekļu maiss ⑨
 - pievienojiet putekļu maisu B
 - lai nodrošinātu optimālu putekļu uzsūkšanu, regulāri

- iztukšojiet putekļu savācējmaisu
- Ieslēgšanas/izslēgšanas slēdzis
 - ieslēdziet/izslēdziet instrumentu, pārvietojot ieslēdzēju C ② uz priekšu/atpakaļ
 - ! **instrumentam jābūt ieslēgtam jau pirms slīpēšanas loksnes saskaršanās ar apstrādājamā priekšmeta virsmu**
 - ! **pirms instrumenta izslēgšanas paceliet to no apstrādājamā priekšmeta virsmas**
- Instrumenta turēšana un vadīšana ⑩
 - ! **darba laikā vienmēr turiet instrumentu aiz pelēkās krāsas noturvirsmas(ām)**
 - darba laikā virziet instrumentu paralēli apstrādājamajai virsmai
 - neizdariet uz instrumentu pārāk lielu spiedienu; ļaujiet slīpēšanas loksnei darīt darbu jūsu vietā
 - lai novērstu nevēlamu švīku veidošanos uz apstrādājamās virsmas, darba laikā nenolieciet instrumentu sānu virzienā
 - nenosprostojiet instrumenta ventilācijas atveres D ②


PRAKTISKI PADOMI

- Izmantojiet instrumentu lielu virsmu, stūru un malu slīpēšanai ⑪
- Nekādā gadījumā nelietojiet vienu un to pašu slīpēšanas loksni koka un metāla apstrādei
- Ieteicamā slīpēšanas loksņu gaudainība:
 - krāsas noņemšanai un sevišķi raupja koka slīpēšanai izmantot rupjas gaudainības loksnes (40, 60)
 - raupju vai līdzenu koka virsmu slīpēšanai izmantot vidējas gaudainības loksnes (80, 100, 120)
 - koka un virsmu, uz kurām ir veca krāsa, izlīdzināšanai un nepārklātu koka virsmu apstrādei izmantot smalkas gaudainības loksnes (180, 240, 320)
- Raupju virsmu slīpēšanu veiciet pakāpeniski, izmantojot dažādas gaudainības slīpēšanas loksnes:
 - uzsāciet slīpēšanu, izmantojot slīpēšanas loksnes ar rupju vai vidēju gaudainību
 - nobeidziet slīpēšanu, izmantojot slīpēšanas loksnes ar smalku gaudainību
- Papildu informāciju skatīt tīmekļa vietnē www.skil.com

APKALPOŠANA / APKOPE

- Uzturiet tīru instrumentu un elektrokabeli (īpaši ventilācijas atveres D ②)
 - ar suku notīriet no instrumenta tam pieļiņušos putekļus
 - pirms tīrīšanas izņemiet no instrumenta akumulatoru
- Ja, neraugoties uz augsto izgatavošanas kvalitāti un rūpīgo pērcēzošanas pārbaudi, instruments tomēr sabojājas, tas jānogādā remontam firmas SKIL pilnvarotā elektroinstrumentu remonta darbnīcā
 - nogādājiet instrumentu **neizjauktā veidā** kopā ar iegādes dokumentiem tuvākajā tirdzniecības vietā vai firmas SKIL pilnvarotā pēciegādes apkalpošanas un remonta iestādē (adreses un instrumenta apkalpošanas shēma ir sniegta interneta vietnē www.skil.com)
- Ievērojiet, ka garantijā neietilpst pārslodzes vai nepareizas instrumenta ekspluatācijas izraisītie bojājumi (SKIL garantijas noteikumus skatiet www.skil.com vai vērsieties pie izplatītāja)

APKĀRTĒJĀS VIDES AIZSARDZĪBA

- **Neizmetiet elektroiekartas, baterijas, piederumus un iesaiņojuma materiālus sadzīves atkritumos** (tikai ES valstīm)
 - saskaņā ar Eiropas Savienības direktīvu 2012/19/ES par nolietotajām elektriskajām un elektroniskajām iekārtām un tās atspoguļojumiem nacionālajā likumdošanā, nolietotās elektroiekartas ir jāsavāc, jāizjauc un jānogādā atsevišķai pārstrādei apkārtējai videi nekaitīgā veidā
 - īpašs simbols  atgādina par nepieciešamību izstrādājumus izmantot videi nekaitīgā veidā
- ! **pirms akumulatora utilizācijas tā kontakti jāaplīmē ar izolācijas lenti, lai nepieļautu īssavienojuma rašanos starp tiem**


TROKSNIS / VIBRĀCIJA

- Veicot mērījumus atbilstoši EN 62841, šī instrumenta akustiskā spiediena līmenis ir 82 dB(A), akustiskās jaudas līmenis ir 90 dB(A) (nenoteiktība K = 3 dB), bet vibrācija 3,46 m/s² (triaksiālā vektora summa; nenoteiktība K = 1.5 m/s²)
- Vibrācijas līmenis ir noteikts, izmantojot standartā EN 62841 paredzēto procedūru; to var izmantot, lai salīdzinātu instrumentus un provizoriski izvērtētu vibrācijas iedarbību, lietojot instrumentu minētajiem mērķiem
 - instrumenta izmantošana citiem mērķiem vai ar citiem vai nepietiekami kopīgiem piederumiem var ievērojami **palielināt** kopējo vibrācijas iedarbības pakāpi
 - laika periodi, kad instruments ir izslēgts vai arī ir ieslēgts, taču darbs ar to nenotiek, var ievērojami **samazināt** kopējo vibrācijas iedarbības pakāpi
- ! **pasargājiet sevi no vibrācijas iedarbības, veicot instrumenta un tā piederumu tehnisko apkopi, novēršot roku atdzišanu un pareizi organizējot darbu**

LT

Akumulatorinē daugiafunkcē 3715 šlifavimo mašina su bešepečiu variklio

ĮVADAS

- Šis prietaisas skirtas medienos, plastmasės, metalo, glaisto ir lakuotų paviršių šlifavimui sausuju būdu
- Šis prietaisas nes skirtas gipsui šlifuoti
- Perskaitykite ir išsaugokite šią naudojimo instrukciją 


TECHNINIAI DUOMENYS

PRIETAISO ELEMENTAI

- A Šlifavimo padas
- B Dulkių maišelis
- C Įjungimo/išjungimo jungiklis
- D Ventilacinės angos
- E Akumulatoriaus įkrovos indikatorius

SAUGA

BENDRIEJI ELEKTRINIŲ ĮRANKIŲ SAUGOS ĮSPĖJIMAI

 **ĮSPĖJIMAS** Perskaitykite visus su šiuo elektriniu prietaisu pateiktus saugos perspėjimus, instrukcijas, paveikslėlius ir specifikacijas. Nepaisant toliau pateiktų instrukcijų galite patirti elektros smūgį, įvykti gaisras ir / ar patirti rimtų sužalojimų.

Išsaugokite visus įspėjimus ir instrukcijas ateičiai.

Terminas „elektros įrankis“ įspėjimuose reiškia jūsų iš elektros tinklo (laidais) maitinamus įrankius arba elektros įrankius, veikiančius nuo baterijų (belaidžius).

1) DARBO VIETOS SAUGUMAS

- a) **Darbo vieta turi būti švari ir tvarkinga.** Tinkama ar blogai apšviesta darbo vieta gali tapti nelaimingų atsitikimų priežastimi.
- b) **Nedirbkite tokioje aplinkoje, kur yra degių skysčių, dujų ar dulkių.** Elektriniai įrankiai gali kibirkščiuoti, o nuo kibirkščių dulkės arba susikaupę garai gali užsidegti.
- c) **Dirbdami su elektriniu įrankiu neleiskite šalia būti žiūrovams, vaikams ir lankytojams.** Nukreipę dėmesį į kitus asmenis galite nebesuvaldyti prietaiso.

2) ELEKTROSAUGA

- a) **Maitinimo laido kištukas turi atitikti tinklo rozetės tipą.** Kištuko jokių būdų negalima modifikuoti. **Nenaudokite jokių kištuko adapterių su žemintais prietaisais.** Originalūs kištukai, tiksliai tinkantys elektros tinklo rozetei, sumažina elektros smūgio pavojų.
- b) **Venkite kūno kontakto su žemintais paviršiais, tokiais kaip vamzdžiai, šildytuvai, viryklės ar šaldytuvai.** Egzistuoja padidinta elektros smūgio rizika, jei Jūsų kūnas bus žemintas.
- c) **Saugokite prietaisą nuo lietaus ir drėgmės.** Jei vanduo patenka į elektrinį prietaisą, padidėja elektros smūgio rizika.
- d) **Nenaudokite maitinimo laido ne pagal paskirtį, t. y. neneškite prietaiso paėmę už laido, nekabinkite prietaiso už laido, netraukite už jo, norėdami išjungti kištuką iš rozetės.** Laidą klokite taip, kad jo neveiktų karštis, jis neišsitemptų alyva ir jo nepažeistų aštrios detalės ar judančios prietaiso dalys. Pažeisti arba susipynę laidai gali tapti elektros smūgio priežastimi.
- e) **Jei su elektriniu įrankiu dirbate lauke, naudokite tik tokius ilginimo kabelius, kurie tinka lauko darbams.** Naudojant lauko darbams pritaikytus ilginimo kabelius, sumažinamas elektros smūgio pavojus.
- f) **Jei su elektriniu įrankiu neišvengiamai reikia dirbti drėgnoje aplinkoje, naudokite žemiminio grandinės pertraukiklį.** Naudojant žemiminio grandinės pertraukiklį, sumažėja elektros smūgio pavojus.

3) ŽMONIŲ SAUGA

- a) **Būkite atidūs, sutelkite dėmesį į tai, ką Jūs darote ir, dirbdami su elektriniu įrankiu, vadovaukitės sveiku protu. Nedirbkite su prietaisu, jei esate pavargę arba vartojate narkotikus, alkoholį ar medikamentus.** Akimirksniu neatidumas naudojant prietaisą gali tapti rimtų sužalojimų priežastimi.
- b) **Naudokite asmenines apsaugos priemones ir visuomet užsidėkite apsauginius akinius.** Naudojant asmenines apsaugos priemones, pvz., respiratorių ar apsauginę kaukę, neslystančius batus, apsauginį šalną, klausos apsaugos priemones ir kt., rekomenduojamas dirbant su tam tikros rūšies įrankiais, sumažėja rizika

susižeisti.

- c) **Saugokitės, kad neįjungtumėte prietaiso atsitiktinai. Prieš prijungdami elektrinį įrankį prie elektros tinklo ir/arba akumulatoriaus, prieš pakeldami ar nešdami įsitinkite, kad jis yra išjungtas.** Jeigu nešdami elektrinį įrankį pirštą laikysite ant jungiklio arba prietaisą įjungsite į elektros tinklą, kai jungiklis yra įjungtas, gali įvykti nelaimingas atsitikimas.
- d) **Prieš įjungdami prietaisą pašalinkite reguliavimo įrankius arba veržlių raktus.** Prietaiso besisukančioje dalyje esantis įrankis ar raktas gali tapti sužalojimų priežastimi.
- e) **Nepervirkinkite savo galimybių. Dirbdami atsistokite patikimai ir visada išlaikykite pusiausvyrą.** Patikima stovėseną ir tinkama kūno laikysena leis geriau kontroliuoti prietaisą netikėtose situacijose.
- f) **Dėvėkite tinkamą aprangą. Nedėvėkite plaučių drabužių ir papuošalų. Saugokite plaukus ir drabužius nuo besisukančių elektrinio įrankio dalių.** Laisvus drabužius, papuošalus bei ilgus plaukus gali įtraukti besisukančios dalys.
- g) **Jei yra numatyta galimybė prijungti dulkių nusiurbimo ar surinkimo įrenginius, visada įsitinkite, ar jie yra prijungti ir ar teisingai naudojami.** Naudojant dulkių nusiurbimo įrenginius sumažėja kenksmingas dulkių poveikis.
- h) **Dažnai naudodami įrankį ir gerai su juo susipažinę pernelyg neatsipalaiduokite ir nepradėkite nepaisyti įrankio saugos principų.** Neatidus veiksmas gali sukelti sunkią traumą per sekundės dalį.
- 4) RŪPESTINGA ELEKTRINIŲ ĮRANKIŲ PRIEŽIŪRA IR NAUDOJIMAS**
 - a) **Neperkraukite prietaiso. Naudokite Jūsų darbui tinkamą elektrinį įrankį.** Su tinkamu elektriniu įrankiu Jūs dirbsite geriau ir saugiau, jei neviršysite nurodyto galingumo.
 - b) **Nenaudokite elektrinio įrankio su sugedusiu jungikliu.** Elektrinis įrankis, kurio nebegalima įjungti ar išjungti, yra pavojingas ir jį reikia remontuoti.
 - c) **Prieš reguliuodami prietaisą, keisdami darbo įrankius ar prieš valydami prietaisą, iš elektros tinklo lizdo ištraukite kištuką ir/arba išimkite akumuliatorių, jeigu jis išimamas.** Ši saugumo priemonė apsaugos jus nuo netikėto prietaiso įsijungimo.
 - d) **Nenaudojamą prietaisą sandėliuokite vaikams ir nemokantiems juo naudotis asmenims neprieinamoje vietoje.** Elektriniai įrankiai yra pavojingi, kai juos naudoja nepatyrę asmenys.
 - e) **Pržiūrėkite elektrinį įrankį ir priedus. Tikrinkite, ar besisukančios prietaiso dalys tinkamai veikia ir niekur neklūva, ar nėra sulūžusių ar šiaip pažeistų dalių, kurios įtakotų prietaiso veikimą.** Prieš vėl naudojant prietaisą pažeistas prietaiso dalys turi būti suremontuotos. Daugelio nelaimingų atsitikimų priežastis yra blogai prižiūrimi elektriniai įrankiai.
 - f) **Pjovimo įrankiai turi būti aštrūs ir švarūs.** Rūpestingai prižiūrėti pjovimo įrankiai su aštriomis pjaujamosiomis briaunomis mažiau stringa ir juos yra lengviau valdyti.
 - g) **Elektrinį įrankį, papildomą įrangą, darbo įrankius ir t. t. naudokite taip, kaip nurodyta šioje instrukcijoje. Taip pat atsižvelkite į darbo sąlygas bei atliekamo darbo pobūdį.** Naudojant elektrinius įrankius ne pagal jų

paskirtį galima sukelti pavojingas situacijas.

- h) **Rankenos ir suėmimo paviršiai turi būti sausi, švarūs, ant jų neturi būti alyvos ir tepalų.** Dėl slidžių rankenų ir suėmimo paviršių negalėsite saugiai išlaikyti ir suvaldyti įrankio netikėtose situacijose.
- 5) RŪPESTINGA AKUMULIATORIŲ ĮRANKIŲ PRIEŽIŪRA IR NAUDOJIMAS**
 - a) **Akumulatoriaus krovimui naudoti tik tuos įkroviklius, kuriuos rekomenduoja gamintojas.** Naudojant kitokio tipo akumulatoriams skirtą įkroviklį, kyla gaisro pavojus.
 - b) **Su prietaisu galima naudoti tik jam skirtą akumuliatorių.** Naudojant kitokius akumuliatorius atsiranda pavojus susižeisti bei sukelti gaisrą.
 - c) **Nelaikykite sąvaržėlių, monetų, raktų, vinių, varžtų ar kitokių metalinių daiktų arti ištraukto iš instrumento akumulatoriaus kontaktų.** Užtrūpinus akumulatoriaus kontaktus galima nusidėginti ar sukelti gaisrą.
 - d) **Netinkamai naudojant akumuliatorių, iš jo gali ištekėti skystis. Venkite kontakto su šiuo skysčiu. Jei skystis pateko ant odos, nuplaukite jį vandeniu, jei pateko į akis - nedelsiant kreipkitės į gydytoją.** Akumulatoriaus skystis gali sukelti odos sudirginimą ar nudegimus.
 - e) **Nenaudokite pažeisto arba perdaryto akumulatoriaus arba įrankio.** Sugadinti arba perdaryti akumuliatoriai gali veikti nenusipėjimai – sukelti gaisrą, sprogimą arba traumų pavojų.
 - f) **Saugokite akumuliatorių arba įrankį nuo ugnies ir aukštos temperatūros.** Patekęs į ugnį arba aukštesnę nei 130°C temperatūrą, jis gali sprogti.
 - g) **Vykdykite visas įkrovimo instrukcijas ir nekraukite akumulatoriaus arba įrankio temperatūroje, neatitinkančioje instrukcijoje nurodyto temperatūros diapazono ribų.** Netinkamai kraunant arba jeigu temperatūra neatitinka nurodyto diapazono ribų, gali sugesti akumuliatorius ir kilti gaisras.
- 6) APTARNAVIMAS**
 - a) **Prietaisą turi remontuoti tik kvalifikuotas specialistas ir naudoti tik originalias atsargines dalis.** Taip galima garantuoti, jog prietaisas išliks saugus.
 - b) **Niekada neatlikite pažeisto akumulatoriaus techninės priežiūros.** Akumuliatorių techninę priežiūrą turi atlikti tik gamintojas arba įgaliotasis techninės priežiūros atstovas.

SAUGOS NUORODOS DIRBANTIEMS SU ŠLIFAVIMO PRIETAISAIS

BENDROJI DALIS

- Šį prietaisą turėtų naudoti tik asmenys, kuriems 16 ir daugiau metų
- Šis prietaisas netinka ruošiniams šlifuoti šlapiuoju būdu
- **Draudžiama apdirbti medžiagas, kurių sudėtyje yra asbesto** (asbestos pasižymi vėžį sukeliančiu poveikiu)
- Atlikdami bet kokius pakeitimus arba pavyzdžiui keisdami priedus, išimkite bateriją

PRIEDAI

- SKIL gali garantuoti neprikaištingą prietaiso veikimą tik tuo atveju, jei naudojama originali papildoma įranga ir priedai
- Draudžiama naudoti nusidėvėjusius, įplyšusius ar labai

užterštus šlifavimo popieriaus lapelius

PRIEŠ EKSPLOATACIJĄ

- Saugokite, kad nepažeistumėte prietaiso į ruošinyje esančius varžtus, vinis ir pan; prieš pradėdami darbą juos pašalinkite
- Darbo metu triukšmo lygis gali viršyti 85 dB(A); naudoti klausos apsaugos priemonės
- Kai kurių medžiagų, kaip antai dažų, kurių sudėtyje yra švino, kai kurių medžių rūšių medienos, mineralų ir metalo dulkės gali būti kenksmingos (kontaktas su šiomis dulėmis arba įkvėptos dulės gali sukelti operatoriui arba šalia esantiems žmonėms alergines reakcijas ir/arba kvėpavimo sistemos susirgimus); **mūvėkite priešdulkinę puskaukę arba dirbdami naudokite dulkių ištraukimo įrenginį, jei jį galima prijungti**
- Kai kurių rūšių dulės priskiriamos kancerogeninėms (pvz., ažuolo arba buko medienos dulės), ypač susimaišiusios su medienos taurinimui naudojamais priedais; **mūvėkite priešdulkinę puskaukę arba dirbdami naudokite dulkių ištraukimo įrenginį, jei jį galima prijungti**
- Vadovaukitės Jūsų šalyje taikomų direktyvų reikalavimais, skirtais medžiagoms, su kuriomis norite dirbti
- Užsidėkite apsauginius pirštines, užsidėkite apsauginius akinius, dėvėkite priglundusius drabužius ir apsauginę kepuraitę (jei Jūsų plaukai ilgi)
- **Saugiai laikykite tvirtinamą dirbinį** (dirbinį, kuris segamas ar kalamas kablių kalimo įrankiais, saugiau laikyti spaustuvu nei ranka)
- Šlifuojant metalą kyla kibirkštys; nenaudokite dulkių surinkimo dėžutės ir pasirūpinkite, kad Jums dirbant aplink nebūtų kitų asmenų, kuriuos galėtų sužeisti lekiančios kibirkštys, o taip pat - degių medžiagų

EKSPLOATACIJA

- Nelieskite rankomis švytuojančio šlifavimo popieriaus lapelio
- Atsiradus mechaninio ar elektrinio pobūdžio trūkščių, tuoj pat išjunkite prietaisą ir išimkite bateriją

PO EKSPLOATACIJOS

- Prieš padėdami prietaisą jį išjunkite ir palaukite, kol visos besisukančios jo dalys visiškai sustos

AKUMULIATORIAI

- **Pridedama baterija yra iš dalies įkrauta** (norint užtikrinti baterijos galingumą, visiškai įkraukite bateriją įkroviklyje prieš pirmą kartą naudodami elektrinį įrankį)
- **Naudokite tik tokias kartu su šiuo prietaisu tiekiamas baterijas**
 - „SKIL“ baterija: BR1*31****
 - „SKIL“ įkroviklis: CR1*31****
- Nenaudokite pažeistų akumuliatorių baterijų, jas būtina pakeisti
- Negalima išmontuoti baterijos
- Jokių būdu nepalikite prietaiso / baterijų, kai lyja
- Leidžiamoji aplinkos temperatūra (prietaiso/įkroviklio/akumuliatorių):
 - įkraunant 4...40°C
 - įrankiu veikiant -20...+50°C
 - sandėliuojant -20...+50°C

ANT PRIETAISO/BATERIJOS ESANČIŲ SIMBOLIŲ

REIKŠMĖS

- ③ Prieš naudodami įrankį perskaitykite instrukcijų vadovą
- ④ Įmesti į ugnį akumuliatoriai sprogs, jų nedeginkite jokiais sumetimais
- ⑤ Patalpos, kurioje laikomas prietaisas, akumuliatorių įkroviklis ar akumuliatorius, temperatūra neturi viršyti

50°C

- ⑥ Nemeskite elektrinių įrankių ir baterijos į buitinių atliekų konteinerius

NAUDOJIMAS

- Akumuliatoriaus įkrovimas
 - ! **Skaitykite saugos įspėjimus ir instrukcijas, pateiktas kartu su įkrovikliu**
- Baterijų išėmimas ir įdėjimas ②
- Akumuliatoriaus įkrovos indikatorius ⑦
 - paspaudus akumuliatoriaus įkrovos lygio indikatorius mygtuką E rodomas esamas akumuliatoriaus įkrovos lygis, ⑦a pav.
 - ! **jei paspaudus mygtuką E ima mirksėti žemiausio akumuliatoriaus įkrovos lygio indikatorius, kaip parodyta ⑦b pav., akumuliatorius yra išsikrovęs**
 - ! **jei paspaudus mygtuką E ima mirksėti 2 akumuliatoriaus įkrovos lygio indikatorius segmentai, kaip parodyta ⑦c pav., akumuliatoriaus temperatūra yra už leidžiamosios darbinės temperatūros intervalo ribų**
- Akumuliatoriaus apsauga
 - Prietaisas staiga išsijungia arba jo nepavyksta įjungti, jei
 - **apkrova yra per didelė** --> pašalinkite apkrovą ir vėl paleiskite prietaisą
 - **akumuliatoriaus temperatūra nepatenka į leidžiamosios darbinės temperatūros intervalą (nuo -20 iki 50 °C)** --> paspaudus mygtuką E ima mirksėti 2 akumuliatoriaus įkrovos lygio indikatorius segmentai, kaip parodyta ⑦c pav.; palaukite, kol akumuliatoriaus temperatūra grįš į leidžiamosios darbinės temperatūros intervalą
 - **akumuliatorius beveik išsikrovęs (apsauga nuo visiško išsikrovimo)** --> paspaudus mygtuką E įsižiebja arba mirksi žemo akumuliatoriaus įkrovos lygio indikatorius, kaip parodyta ⑦b pav.; pakeiskite akumuliatorių
 - ! **jei instrumentas išsijungė automatiškai, nelaiykite nuspaudę jo jungiklio, nes taip galima sugadinti akumuliatorių**
 - Šlifavimo popieriaus pritvirtinimas ⑧
 - ! **atlikdami bet kokius pakeitimus arba pavyzdžiui keisdami priedus, išimkite bateriją**
 - ! **norint, kad dulkės būtų nusiurbiamos, reikia naudoti skylėtą šlifavimo popieriaus lapelį**
 - ! **šlifavimo popieriaus skylės turi sutapti su skylėmis šlifavimo plokštėje**
 - ! **laiku pakeiskite nusidėvėjusį šlifavimo popieriaus lapelį**
 - ! **prietaisą leidžiama naudoti tik tuomet, kai šlifavimo popierius uždengia visą šlifavimo plokštę**
 - uždėkite VELCRO (kibus sujungimas) šlifavimo popieriaus lapelį, kaip parodyta paveikslėlyje
 - Dulkių nusiurbimas
 - ! **nenaudokite dulkių maišelio šlifuodami metalą**
 - Dulkių maišelis ⑨
 - sumontuokite dulkių maišelio B
 - reguliariai išvalykite dulkių surinkimo maišelį, tuomet dulkių nusiurbimas bus optimalus
 - Įjungimo/išjungimo jungiklis
 - prietaisas įjungiamas ir išjungiamas jungiklį C ② perstumiant jį priekį arba atgal

! visų pirma įjunkite prietaisą ir tik po to pradėkite šlifuoti, t.y. šlifavimo plokštė ruošinį turi paliesti prietaisui esant jau įjungtam

! prieš išjungdami prietaisą atitraukite jį nuo ruošinio

- Prietaiso laikymas ir valdymas ⑩
- ! **dirbdami laikykite prietaisą už pilkos spalvos suėmimo vietas(-ų)**
 - prietaisą laikykite lygiagrečiai apdirbamam paviršiui
 - nespauskite prietaiso per stipriai; leiskite šlifavimo plokštei atlikti darbą už jus
 - nevartykite prietaiso, nes šlifuojant gali likti įbrėžimų
 - ventiliacines angas D ② laikykite neuždengtas

NAUDOJIMO PATARIMAI

- Prietaisą naudokite, kuomet šlifuojate didesnius plotus, kampus ir kraštus ①
- Nenaudokite to paties šlifavimo popieriaus medžio ir metalo ruošinių apdirbimui
- Rekomenduojamas šlifavimo popieriaus rupumas:
 - nuimti dažus ir nušlifuoti itin šiurkščius medinius paviršius, didelio grūdėtumo (40, 60)
 - šlifuoti šiurkščią ar neapdorotą medieną, vidutinio grūdėtumo (80, 100, 120)
 - nupoliruoti medieną ir paviršius su senais dažais bei neapdorotą medieną, smulkaus grūdėtumo (180, 240, 320)
- Šlifodami grubius paviršius naudokite skirtingo rupumo šlifavimo popierius:
 - iš pradžių šlifukite rupiu arba vidutinio rupumo popieriumi
 - baigdami šlifuoti naudokite smulkaus rupumo popierių
- Daugiau informacijos rasite internete www.skil.com

PRIEŽIŪRA / SERVISAS

- Periodiškai valykite prietaisą ir kabelį (ypač ventiliacines angas D ②)
 - susikaupusius šlifavimo dulkes išvalykite šepetėliu
 - prieš valant, išimkite bateriją iš įrankio
- Jeigu prietaisas, nepaisant gamykloje atliekamo kruopštaus gamybos ir kontrolės proceso, vis dėlto sugestų, jo remontas turi būti atliekamas įgaliotose SKIL elektrinių įrankių remonto dirbtuvėse
 - **neišardyta** prietaisą kartu su pirkimo čekiu siųskite tiekėjui arba į artimiausią SKIL firmos įgaliotą elektros prietaisų techninio aptarnavimo tarnybą (adresus bei atsarginių dalių brėžinius rasite www.skil.com)
- Turėkite omeny, kad garantija netaikoma, jei gedimas atsiranda dėl perkrovos ar netinkamo naudojimo (dėl SKIL garantijos sąlygų žr. www.skil.com arba kreipkitės į jus aptarnaujantį prekybos atstovą)

APLINKOSAUGA

- **Nemeskite elektrinių įrankių, baterijos, papildomos įrangos ir pakuotės į buitinių atliekų konteinerius** (galioja tik ES valstybėms)
 - pagal ES Direktyvą 2012/19/EG dėl naudotų elektrinių ir elektroninių prietaisų atliekų utilizavimo ir pagal vietinius valstybės įstatymus atitarnavę elektriniai įrankiai turi būti surenkami atskirai ir gabunami į antrinių žaliavų tvarkymo vietas, kur jie turi būti sunaikinami ar

perdirbami aplinkai nekenksmingu būdu
- apie tai primins simbolis ⑥, kai reikės išmesti atitarnavusį prietaisą

! prieš išmesdami bateriją apvyniokite jos galus, kad netyčia nekiltų paviršinio nuotėkio srovė

TRIUKŠMINGUMAS / VIBRACIJA

- Išmatuotas pagal EN 62841, šio instrumento garso slėgio lygis yra 82 dB(A), garso galios lygis 90 dB(A) (neapibrėžtis K = 3 dB), vibracija 3,46 m/s² (triacio vektorius suma; neapibrėžtis K = 1,5 m/s²)
 - Vibracijos sklaidos lygis išmatuotas pagal standarte EN 62841 išdėstytus standartizuoto bandymo reikalavimus; ši vertė gali būti naudojama vienam įrankiui palyginti su kitu bei išankstiniams vibracijos poveikiui įvertinti, kai įrankis naudojamas paminėtais būdais
 - naudojant įrankį kitokiais būdais arba su kitokiais bei netinkamai prižiūrimais priedais, gali žymiai **padidėti** poveikio lygis
 - laikotarpiams, kai įrankis išjungtas arba yra įjungtas, tačiau juo nedirbama, gali žymiai **sumažėti** poveikio lygis
- ! apsisaugokite nuo vibracijos poveikio prižiūradami įrankį ir jo priedus, laikydami rankas šiltai ir derindami darbo ciklus su pertraukėlėmis**

МК

**Безжична повећенаменска 3715
брусилка со мотор без четки**

УПАТСТВО

- Овој алат е наменет за суво брусење на дрво, пластика, метал и гитувани и обоени површини
- Овој алат не е наменет за чистење гипс
- Внимателно прочитајте го и зачувајте го ова упатство за ракување ③

ТЕХНИЧКИ ПОДАТОЦИ ①

ЕЛЕМЕНТИ НА АЛАТОТ ②

- A Потпорна подлошка
- B Кеса за прашина
- C Прекинувач за вклучување/исклучување
- D Отвори за вентилација
- E Индикатор за нивото на батеријата

БЕЗБЕДНОСТ

ОПШТИ ПРЕДУПРЕДУВАЊА ЗА БЕЗБЕДНОСТ НА ЕЛЕКТРИЧНИТЕ АЛАТИ

⚠ ПРЕДУПРЕДУВАЊЕ Прочитајте ги сите безбедносни предупредувања, упатства, слики и спецификации што се обезбедуваат со овој алат. Непочитувањето на сите упатства подолу може да доведе до електричен удар, пожар и/или сериозна повреда..

Чувајте ги сите предупредувања и упатства за понатамошно упатување.

Поимот “електричен алат”, кој се користи во понатамошниот текст, се однесува на вашиот електричен алат (со приклучен кабел) и на електрични алати со погон на батерии (без приклучен кабел).

1) БЕЗБЕДНОСТ НА РАБОТНОТО МЕСТО

- a) **Одржувајте го вашето работно место чисто и уредно.** Неуреден или темен работен простор може да предизвикаат незгоди.
- b) **Немојте да работите со уредот во средина во која има опасност од експлозија, во која има запалливи течности, гасови и прашина.** Електричните алати произведуваат искри кои можат да запалат прашина или пара.
- c) **За време на употребата на електричниот алат, децата и останатите лица држете ги подалеку од местото каде работите.** Одвркање, би можеле да изгубите контрола врз уредот.

2) ЕЛЕКТРИЧНА СИГУРНОСТ

- a) **Утикач мора да одговара на приклучокот.** Никане не смее да се прават измени на штекерот. Не користете адаптерски штекер заедно со уредот кој е заштитно заземјен. Не променети штекери и соодветни приклучоци го намалуваат ризикот од електричен удар.
 - b) **Избегнувајте допир на телото со заземјени површини, како што се цевни, радијатори, рерни и фриидери.** Постои зголемена опасност од струен удар, доколку Вашето тело е заземјено.
 - c) **Чувајте го уредот подалеку од дожд и влага.** Продирањето на вода во електричниот уред ја зголемува опасноста од струен удар.
 - d) **Не злоупотребувајте го приклучниот кабел за носење, бесење на уредот или за извлекување на штекерот од мрежниот приклучок.** Чувајте го кабелот подалеку од топлина, масло, остри рабови или деловите на апаратот кои се движат. Оштетени или заплеткани кабли ја зголемуваат опасноста од струен удар.
 - e) **Кога го употребувате поленачот надвор, користете продолжен кабел кој е соодветен за употреба на отворен простор.** Примената на продолжен кабел соодветен за работа на отворен простор ја намалува опасноста од струен удар.
 - f) **Доколку не може да се избегне работа со електричниот алат во влажна средина, користете прекинувач за струјна заштита при технички проблеми.** Употребата на прекинувачот за струјна заштита при технички проблеми го намалува ризикот од електричен удар.
- ## 3) ЛИЧНА ЗАШТИТА
- a) **Бидете внимателни, внимавајте што правите и постапувајте внимателно додека работите со електричниот алат. Не работете со уредот доколку сте уморни или под дејство на дрога, алкохол или лекови.** Еден момент на невнимание при употребата може да доведе до сериозни повреди.
 - b) **Носете ја личната заштитна опрема и секогаш носете заштитни очила.** Носењето на личната заштитна опрема, како што е маската за прашина, безбедносната облека која не се лизга, заштитен шлем или штитник за слух, зависно од видот и

примената на електричниот алат, ја намалува опасноста од повреда.

- c) **Избегнувајте невнимателно вклучување за време на работата. Осигурајте се прекинувачот да биде во “OFF” позиција пред да го ставите штекерот во приклучокот.** Доколку го носите електричниот алат со прстот на прекинувачот или го приклучувате апаратот кој е приклучен со напојување на струја, може да предизвикаат незгоди.
 - d) **Пред вклучување на уредот, тргнете ги алатите за подесување или клучот за навртување.** Алатот или клучот кој се наоѓа во вртливиот дел на уредот, може да предизвика незгода.
 - e) **Не ги преценувајте своите способности.** Завземете сигурен и стабилен став и во сеној момент одржувајте рамнотежа. На тој начин можете подобро да го контролирате уредот во неочекувани ситуации.
 - f) **Носете соодветна облека. Не носете широка облека или накит.** Носата и алиштата треба да бидат подалеку од подвижните делови. Широка облека, накитот или долгата коса може да се закачат за подвижните делови.
 - g) **Доколку може да се монтираат направи за вшмукување и фаѓање прашина, проверете дали се вклучени и дали можат исправно да се користат.** Примената на овие направи ја намалува опасноста од прашината.
 - h) **Не дозволувајте искуството стекнато со честа употреба на алатите да ве направи спонојни и да ги игнорирате безбедносните принципи при неговото користење.** Невнимателно движење може да предизвика сериозни повреди во дел од секунда.
- ## 4) ВНИМАТЕЛНА УПОТРЕБА И РАКУВАЊЕ СО ЕЛЕКТРИЧНИТЕ АЛАТИ
- a) **Не го преоптеретувајте уредот.** При вашата работа користете го предвидениот електричен алат за таа употреба. Со соодветниот електричен алат ќе работите подобро и посигурно во наведената функционална област.
 - b) **Не користете електричен алат чиј прекинувач е неисправен.** Електричниот алат кој повеќе не може да се вклучува и исклучува е опасен и мора да се поправи.
 - c) **Исклучете го електричниот алат од струја и/или извадете го комплетот со батерии, ако се одделува, пред да правите неканви прилагодувања, менувате дополнителна опрема или да го складирате електричниот алат.** Со овие мерки на внимателност ќе се избегне невнимателното вклучување на уредот.
 - d) **Тргнете го електричниот алат кој не го користите од допирот на децата. Не допуштајте работа со уредот на лица кои не се запознаени со него или кои го немаат прочитано ова упатство.** Електричните алати се опасни доколку со нив работат неискусни лица.
 - e) **Одржувајте го електричниот алат и дополнителната опрема. Имајте контрола околу тоа дали движечките делови на уредот работат беспрекорно и дали не се заглавени, дали деловите се скршени или оштетени до таа мерка**

што не може да се обезбеди функционирање на уредот. Пред примената, овие оштетени делови треба да се поправат. Причина за многу незгоди е лошо одржуваниот електричен алат.

- f) **Алатите за сечење одржувајте ги остри и чисти.** Внимателно одржуваните алати за сечење со остри очтрици помалку ќе се заглавуваат и со нив работата ќе биде полесна.
- g) **Електричниот алат, прибор, работни алати итн.,** треба да ги користите според овие упатства, и на начин кој е опишан за соодветниот тип на уред. При тоа, земете ги предвид работните услови и работата која се извршува. Употребата на електричните алати за други цели кои не се предвидени, може да предизвика опасни ситуации.
- h) **Рачките и површините за држење одржувајте ги суви, чисти и неизмастени.** Рачките и површините за држење што се лизгаат не овозможуваат безбедно ракување и контрола на алатот во неочекувани ситуации.
- 5) **ВНИМАТЕЛНО РАКУВАЊЕ И КОРИСТЕЊЕ НА АПАРАТ СО АКУМУЛАТОР**
 - a) **Полнете го акумулаторот само во апаратите за полнење кои се пропишани од страна на производителот.** За апаратот за полнење кој е соодветен за определен вид на акумулатори, постои опасност од пожар, доколку се употребува со други акумулатори.
 - b) **Користете ги електричните алати само со специфично назначени пакувања на батерии.** Користењето на друг вид на батерии може да доведе до ризик од повреда или пожар.
 - c) **Кога батериите не се користат, држете ги настрана од метални предмети како штрафчиња, парички, клучеви, клинци, навртки или други, мали предмети кои може да направат краток спој.** Краткиот спој кај батериите може да предизвика изгореници или пожар.
 - d) **При погрешна примена може да излезе течност од акумулаторот; избегнувајте контакт со неа.** При случаен контакт, измијте се со вода. Ако течноста дојде во допир со очите, побарајте и лекарска помош дополнително. Течноста која може да излезе од акумулаторот може да доведе до надразнување на кожата и изгореници.
 - e) **Не употребувајте комплет со батерии или алат кој е оштетен или изменет.** Оштетени или изменети батерии може да реагираат непредвидливо и да предизвикаат пожар, експлозија или опасност од повреда.
 - f) **Не го изложувајте комплетот со батерии или алатот на оган или висока температура.** Изложувањето на оган или температура над 130°C може да предизвика експлозија.
 - g) **Следете ги сите инструкции за полнење и не го полнете комплетот со батерии или алатот надвор од температурниот опсег наведен во инструкциите.** Неправилното полнење или на температура надвор од наведениот опсег може да ја оштети батеријата и да ја зголеми опасноста од пожар.
- 6) **СЕРВИСИРАЊЕ**
 - a) **Електричниот алат сервисирајте го кај**

квалификувано лице кое користи само идентични резервни делови. Со ова се обезбедува безбедно одржување на електричниот алат.

- b) **Никогаш не поправајте оштетени комплети со батерии.** Поправката на комплети со батерии треба да ја врши само производителот или овластен сервис.

БЕЗБЕДНОСНИ УПАТСТВА ЗА БРУСИЛКА

ОПШТИ

- Овој алат не треба да го користат лица под 16 години
- Овој алат не е соодветен за брусење во влажна средина
- **Не обработувајте ниванов материјал кој содржи азбест** (азбестот важи за предизвикувач на рак)
- Отстранете ја батеријата од алатот пред секое подесување или промена на приборот

ПРИБОР

- SKIL може да признае гаранција само доколку е користен оригинален прибор
- Не користете изабени, искинати или хартија со многу налепен слој од брусење

ПРЕД УПОТРЕБА

- Избегнувајте оштетувања од штрафови, шајки и други предмети во местото каде работите; тргнете ги пред да почнете со работа
- Нивото на бучава додека работите може да изнесува повеќе од 85 dB(A); носете заштита за ушите
- Прашината од материјали како боја која содржи олово, некои видови дрво, минерали и метали, може да биде штетна за здравјето (контактот со прашина или нејзиното вдишување може да шредизвика алергии и/или болести на дишните органи за оној кој работи со алатот или луѓето во близина); **носете маска за прашина и работете со правосмукалки доколку можете да ги поврзете**
- Некои видови на прашина се канцерогени (како на пример прашина од даб или буква), особено заедно со адитиви за одржување на дрвото; **носете маска за прашина и работете со правосмукалки доколку можете да ги поврзете**
- Следете ги процедурите на вашата земја за прашина која се јавува како резултат од материјалите со кои работите
- Носете заштитни ракавици, заштитни очила, тесна облека и заштита за коса (доколку имате долга коса)
- **Зацврстете го материјалот кој го обработувате** (обработка која е зацврстена со стегли или во менгеме е побезбедна отколку да ја држите со раце)
- При брусење на метал доаѓа до појава на искри; не користете кутија за прашина/правосмукалка а останатите лица и запалливи материјали треба да се наоѓаат подалеку од местото каде се работи

ВО ТЕКОТ НА УПОТРЕБАТА

- Не допирајте ја брусната хартија која се движи
- Во случај да дојде до електричен или механички дефект, веднаш исклучете го алатот и отстранете ја батеријата

ПО УПОТРЕБА

- Кога ќе ја завршите работата со алатот, исклучете го моторот и проверете дали сите подвижни делови се застанати

АКУМУЛАТОРСКА БАТЕРИЈА

- **Обезбедената батерија, доколку ја има, е**

делумно наполнета (за да се обезбеди целосен капацитет на батеријата, целосно наполнете ја батеријата во полначот на батеријата пред да го употребите вашиот електричен алат за првпат)

- **Користете ги исклучиво следниве батерии и полначи со овој алат**
 - Батерија SKIL: BR1*31****
 - Полнач SKIL: CR1*31****
- Оштетената батерија не треба понатаму да се користи туку да се замени
- Не ја расклопувајте батеријата
- Никогаш не ги изложувајте на дожд алатот/батеријата
- Дозволена температура на околината (алатка/полнач/батерија):
 - при полнење 4...40°C
 - при работа -20...+50°C
 - при складирање -20...+50°C

ОБЈАСНУВАЊЕ НА СИМБОЛИТЕ ЗА АЛАТОТ/БАТЕРИЈАТА

- ③ Пред употреба прочитајте го прирачникот за употреба
- ④ Во допир со оган батериите ќе експлодираат, затоа не ги палете батериите од која било причина
- ⑤ Секогаш чувајте ги апаратот/полначот/батеријата во просторија на температура пониска од 50°C
- ⑥ Не се ослободувајте од електрични алати и батерии во домашниот отпад

УПОТРЕБА

- Полнење на акумулаторска батерија
! прочитајте ги безбедносните предупредувања и упатствата дадени со полначот
- Вадење/инсталирање на батеријата ②
- Индикатор за нивото на батеријата ⑦
 - притиснете на индикаторот за нивото на батеријата Е за да се прикаже тековното ниво на батеријата ⑦а
 - ! ако по притискање на копчето Е ⑦b почне да трепка индикаторот за најниско ниво на батеријата, тогаш батеријата е празна**
 - ! кога ќе почне да трепка индикаторот за нивоата на батеријата 2 по притискање на копчето Е ⑦с, батеријата не е во рамните на дозволиениот опсег за работна температура**
- Заштита на батеријата
Алатот наеднаш се исклучува или не може да се вклучи, кога
 - **товарот е преголем** --> отстранете го товарот и почнете повторно
 - **температурата на батеријата не е во рамните на дозволиениот опсег на работна температура од -20 до +50°C** --> 2 нивоата на индикаторот за ниво на батеријата почнуваат да трепкаат кога ќе го притиснете копчето Е ⑦с; почекајте батеријата да се врати во рамните на дозволиениот опсег на работна температура
 - **батеријата е скоро празна (заштита од целосно празнење)** --> на индикаторот за нивото на батеријата ќе се прикаже ниско ниво на батеријата или ќе трепка за ниско ниво на батеријата ⑦b кога ќе притиснете на копчето Е; наполнете ја батеријата

! не продолжувајте да притиснете на прекинувачот за вклучување/исклучување откако алатот ќе се исклучи автоматски; батеријата ќе се оштети

- Постапување хартија за брусење ⑧
 - ! отстранете ја батеријата од алатот пред секое подесување или промена на приборот**
 - ! вшмукувањето прашина изискува употреба на перфорирани хартии за брусење**
 - ! перфорацијата на брусната хартија треба да е соодветна на перфорацијата на брусната плоча**
 - ! навремено заменете ја истрошената брусна хартија**
 - ! целосната површина за брусење треба да биде прекриена со брусна хартија кога ќе го користите алатот**
 - поставете хартија за брусење од ВЕЛКРО како што е прикажано
- Вшмукување прашина
 - ! не користете ја кесата за прашина за собирање прашина кога брусите метал**
 - Кеса за прашина ⑨
 - монтирајте кесата за прашина В
 - празнете ја редовно кесата за прашина за да постигнете оптимално собирање на прашината
- Прекинувач за вклучување/исклучување
 - алатот вклучете/исклучете го со поместување на прекинувачот С ② напред/назад
 - ! алатот треба да го вклучите пред брусната површина да го допре местото на кое работите**
 - ! уредот треба да се подигне од работната површина пред тој да биде исклучен**
- Држење и насочување на алатот ⑩
 - ! додена работите, секогаш држете го алатот за местото (местата) кое (кои) се означени со сива боја**
 - држете го алатот паралелно со површината која ја обработувате
 - не применувајте многу притисок врз алатот и оставете ја површината за чистење да ја заврши работата за вас
 - не го навалувајте алатот за да избегнете појава на несакани траги од брусењето
 - отворите за ладење D ② држете ги отворени

СОВЕТИ ЗА ПРИМЕНА

- Користете го алатот за брусење големи површини, агли и рабови ⑪
- Никогаш не користете ја истата брусна хартија и за дрво и за метал
- Препорачана рапавост на брусната хартија:
 - користете фина шмиргла (40, 60) за отстранување боја и за брусење на исклучително грубо дрво
 - користете средно груба шмиргла (80, 100, 120) за брусење грубо или мазно дрво
 - користете фина шмиргла за мазнење на дрво и површини со стара боја, како и за завршна обработка на голо дрво (180, 240, 320)
- Користете разни големини на шмиргли кога површината е груба:
 - започнете да пескарите со груба или средна шмиргла

- завршете со фината шмиргла
- За повеќе информации видете на www.skil.com

ОДРЖУВАЊЕ/СЕРВИСИРАЊЕ

- Алатот и кабелот секогаш да се одржуваат чисти (особено отворите за ладење D ②)
- со четкичка отстранете ја насобраната прашина од брусењето
- отстранете ја батеријата од алатот пред чистење
- Доколку алатот и покрај внимателното работење и контрола некогаш откаже, поправката мора да ја изврши некој овластен SKIL сервис за електрични алати
- во случај на примедба, испратете го алатот **нерасклопен**, заедно со сметкопотврдата, до вашиот продавач или најблискиот SKIL сервис (адресите се наведени на www.skil.com)
- Имајте предвид дека оштетувањето настанато заради преоптоварување или неправилно ракување со алатот ја отфрла гаранцијата (видете на www.skil.com или прашајте го продавачот за условите на гаранцијата на SKIL)

ЗАШТИТА НА ЖИВОТНАТА СРЕДИНА

- **Не се ослободувајте од електрични алати, батерии, уреди или амбалажа преку нивно фрлање во домашното губре (само за земјите на ЕУ)**
- според Европската Директива 2012/19/ЕС за ослободување од електрична и електронска опрема и нејзина имплементација во согласност со националните закони, електричните алати кои го достигнале крајот на својот животен век мора да бидат собрани посебно и да бидат вратени во соодветен објект за рециклирање
- симболот ⑥ ќе ве потсетува на ова кога ќе дојде време алатот да го фрлите
- ! пред да се фрли акумулаторската батерија во отпад, заштитете ги нејзините полови**

БУЧАВА / ВИБРАЦИИ

- Измерено во согласност со EN 62841, нивото на звучен притисок на оваа алатка е 82 dB(A) и нивото на звучна моќност 90 dB(A) (несигурност K = 3 dB), и вибрацијата 3,46 m/s² (трианс векторна сума; несигурност K = 1.5 m/s²)
- Нивото на емитирање на вибрации кое е наведено на задниот дел на ова упатство е измерено во согласност со стандардизиранiot тест даден во EN 62841; може да се користи за да се спореди еден алат со друг, и како првична оценка за изложеноста на вибрации кога се користи алатот за споменатите примени
- користењето на алатот за разни примени, или со различни или неправилно чувани делови, може да доведе до значајно **зголемување** на нивото на изложеност
- кога алатот е исклучен или кога алатот е вклучен но не врши некаква работа, може да дојде до значително **намалување** на нивото а изложеност
- ! заштитете се од ефектите на вибрациите преку одржување на алатот и неговите делови,**

одржување на топлината во вашите раце, и организирање на вашата работа

AL

Smerilues për shumë përdorime 3715 me motor pa furça

HYRJE

- Kjo vegël është e projektuar për smerilimin në të thatë të drurit, plastikës, metalit, mbushësve dhe sipërfaqeve të lyera
- Kjo vegël nuk është e projektuar për smerilimin e gipsit
- Lexoni dhe ruani këtë manual të përdorimit ③

TË DHËNAT TEKNIKE ①

ELEMENTET E VEGËL ②

- A Fleta mbështetëse
- B Qesja e plhurave
- C Çelësi i ndezjes/fikjes
- D Të çarat e ajrosjes
- E Treguesi i nivelit të baterisë

SIGURIA

PARALAJMËRIME TË PËRGJITHSHME TË SIGURISË PËR PAJISJET ELEKTRIKE

! PARALAJMËRIM: Lexoni të gjitha paralajmërimet, udhëzimet, ilustrimet dhe specifikimet e dhëna me këtë mjet pune. Mosrespektimi i të gjitha udhëzimeve të renditura më poshtë mund të rezultojë në goditje elektrike, zjarr dhe/ose dëmtime të rënda.

Ruani të gjitha paralajmërimet dhe udhëzimet për referencë në të ardhmen.

Termi "pajisje elektrike" në paralajmërimet i referohet pajisjes elektrike që përdoret nga priza (me kablo) ose pajisjes elektrike me bateri (pa kablo).

1) SIGURIA E ZONËS SË PUNËS

- a) **Mbajeni zonën e punës të pastër dhe të ndriçuar mirë.** Zonat e çrregullta ose të errëta janë një ftesë për aksidente.
- b) **Mos i përdorni pajisjet elektrike në situata me mundësi shpërthimi, si në prani të lëngjeve, gazeve ose plhurave të djegshëm.** Pajisjet elektrike shkaktojnë shkëndija që mund të ndezin plhurat ose avujt.
- c) **Mbajini fëmijët dhe personat e tjerë larg gjatë përdorimit të veglës së punës.** Tërheqja e vëmendjes mund të shkaktojë humbjen e kontrollit.

2) SIGURIA ELEKTRIKE

- a) **Spinat e veglës së punës duhet të përputhen me prizën. Mos modifikoni kurrë spinën në asnjë mënyrë. Mos përdorni asnjë spinë përshtatëse me veglat e punës me tokëzim.** Spinat e pamodifikuara dhe prizat përshtatëse do të zvogëlojnë rrezikun e goditjes elektrike.

- b) **Shmangni kontaktin trupor me sipërfaqe të tokëzuar si tuba, radiatorë, soba dhe frigoriferë.**
Ka një rrezik më të madh të goditjeve elektrike nëse trupi është i tokëzuar.
- c) **Mos ekspozoni veglat e punës në shi ose në kushte me lagështi.** Uji që hyn në veglën e punës do të rritë rrezikun e goditjes elektrike.
- d) **Mos abuzoni me kordonin. Mos e përdorni kurrë kordonin për transportin, tërheqjen ose heqjen e spinës së veglës së punës.** Mbajni kordonin larg nga nxehtësia, vaji, anët e mprehta ose pjesët që lëvizin. Kordonët e dëmtuar ose e bllokuar rrisin rrezikun e goditjes elektrike.
- e) **Kur përdorni një vegël pune në mjedise të jashtme, përdorni një kordon zgjatues të përshtatshëm për përdorim në mjedise të jashtme.** Përdorimi i një kordoni të përshtatshëm për përdorime në mjedise të jashtme zvogëlon rrezikun e goditjes elektrike.
- f) **Nëse përdorimi i veglës së punës në një vend me lagështi është i pashmangshëm, përdorni një automat qarku me shkarkesë me tokëzim.** Përdorimi i një automati me shkarkesë me tokëzim zvogëlon rrezikun e goditjes elektrike.
- 3) SIGURIA PERSONALE**
- a) **Qëndroni në gatishmëri, shikoni se çfarë po bëni dhe përdorni gjykimin kur përdorni një vegël pune.** Mos e përdorni një vegël pune kur jeni i lodhur ose nën ndikimin e ilaçeve, alkoolit ose mjekimit. Një moment humbje e vëmendjes gjatë përdorimit të veglave të punës mund të shkaktojë dëmtime të rënda personale.
- b) **Përdorni pajisje personale mbrojtëse. Mbani gjithmonë pajisje për mbrojtjen e syve.** Pajisjet mbrojtëse si maska kundër pluhurit, këpucët që nuk rrëshqasin, kaskat ose pajisjet për mbrojtjen e veshëve për kushtet përkatëse do të zvogëlojnë dëmtimet personale.
- c) **Parandaloni ndezjen e rastësishme. Sigurohuni që çelësi është në pozicionin fikur para se të lidhni burimin e energjisë dhe/ose baterinë, para se të merrni ose të transportoni pajisjen.** Transportimi i veglave të punës me gishtin në çelës ose aktivizimi i veglave të punës që kanë çelësin të ndezur është një ftesë për aksidente.
- d) **Hiqni çdo çelës ose çelës përshtatës para ndezjes së veglës së punës.** Një çelës i lënë i lidhur me një pjesë rrotulluese të veglës së punës mund të shkaktojë dëmtime personale.
- e) **Mos u zgjasni. Mbani një vendosje të mirë të këmbëve dhe një ekuilibër të mirë në çdo moment.** Kjo gjë bën të mundur një kontroll më të mirë të veglës së punës në situata të papritura.
- f) **Vishuni në mënyrën e duhur. Mos vishni veshje të gjera ose bizhuteri. Mbani flokët, veshjet dhe dorashkat larg nga pjesët lëvizëse.** Veshjet e gjera, bizhuteritë ose flokët e gjatë mund të kapen nga pjesët në lëvizje.
- g) **Nëse janë ofruar pajisje për lidhjen e pajisjeve të mbledhjes dhe nxjerrjes së pluhurave, sigurohuni që ato të jenë të lidhura dhe të përdoren si duhet.** Përdorimi i mbledhjes së pluhurave mund të zvogëlojë rreziqet në lidhje me pluhurat.
- h) **Mos lejoni që familjarizimi i fituar nga përdorimi**

- i shpeshtë i veglave t'ju lejojë të tregoheni të vetëkënaqur dhe të shpërfillni parimet e sigurisë për pajisjet. Një veprim i pakujdesshëm mund të shkaktojë dëmtime të rënda në më pak se një sekondë.
- 4) PËRDORIMI DHE KUJDESI PËR VEGLËN E PUNËS**
- a) **Mos ushtroni forcë mbi veglën e punës. Përdorni veglën e punës të duhur për përdorimin tuaj.** Vegla e punës e duhur do të realizojë një punë më të mirë dhe më të sigurt dhe me shpejtësinë që ajo është e projektuar.
- b) **Mos përdorni veglën e punës nëse çelësi nuk e ndez apo e fik.** Çdo vegël pune që nuk mund të kontrollohet me anë të çelësit është e rrezikshme dhe duhet të riparohet.
- c) **Shkëputni spinën nga burimi i energjisë dhe/ose baterinë nga vegla e punës para se të bëni rregullime të tjera, të ndryshoni aksesoret ose të ruani veglat e punës.** Këto masa parandaluese të sigurisë ulin rrezikun e ndezjes aksidentale të veglës së punës.
- d) **Mbani veglat e punës larg fëmijëve dhe mos lejoni personat e pamësuar me veglën e punës ose këto udhëzime për përdorimin e pajisjes.** Veglat e punës janë të rrezikshme në duart e përdoruesve të patrajnuar.
- e) **Mirëmbani veglat e punës. Kontrolloni për mospërshtatje ose bllokim të pjesëve lëvizëse, thyerje të pjesëve dhe gjendje të tjera që mund të ndikojnë në funksionimin e veglës së punës.** Nëse dëmtohet, riparojeni veglën e punës para përdorimit. Shumë aksidente shkaktohen nga veglat e punës jo të mirëmbajtura si duhet.
- f) **Mbajini pajisjet prerëse të pastra dhe të mprehta.** Pajisjet e prerjes të mirëmbajtura dhe me anë të mprehta kanë më pak mundësi për t'u bllokuar dhe janë më të lehta për t'u kontrolluar.
- g) **Përdorni veglat e punës, aksesoret dhe puntot, etj. në përputhje me këto udhëzime, duke marrë parasysh kushtet e punës dhe punën që do të kryhet.** Përdorimi i veglave për përdorime të ndryshme nga ato të përcaktuara mund të shkaktojë rreziqe.
- h) **Mbajini dorezat dhe sipërfaqet ku mbaheni të thata, të pastra dhe pa vajra ose graso.** Dorezat dhe sipërfaqet ku mbaheni, kur janë të rrëshqitshme, nuk ju lejojnë ta menaxhoni dhe ta kontrolloni në mënyrë të sigurt pajisjen në situata të papritura.
- 5) PËRDORIMI DHE KUJDESI PËR VEGLËN ME BATERI**
- a) **Karikojeni vetëm me karikuesin e përcaktuar nga prodhuesi.** Një karikues që është i përshtatshëm për një lloj baterie mund të krijojë rrezik për zjarr kur përdoret me një bateri tjetër.
- b) **Përdorni veglat e punës vetëm me bateritë e përcaktuara respektivisht.** Përdorimi i çdo baterie tjetër mund të krijojë rrezik për dëmtime dhe zjarr.
- c) **Kur bateria nuk është në përdorim, mbajeni larg nga objektet e tjera metalike si kapëset e letrës, monedhat, çelësat, gozhdët, vidat ose objektet e tjera të vogla metalike që mund të bëjnë lidhjen e një terminali me terminalin tjetër.** Lidhja e shkurtër e terminaleve të baterisë mund të shkaktojë djegie ose zjarr.
- d) **Në kushte abuzimi, nga bateria mund të rrjedhin lëngje; shmangni kontaktin me to. Në rast se ndodh aksidentalisht kontakti, shpërlajeni me ujë. Në rast**

se lëngu bie në kontakt me sytë, kërkoni edhe ndihmë mjekësore. Lëngu i rrjedhur nga bateria mund të shkaktojë acarime ose djegie.

- e) **Mos e përdorni një pako baterish ose një vegël që është e dëmtuar apo e modifikuar.** Bateritë e dëmtuara ose të modifikuara mund të shfaqin sjellje të paparashikuara, duke shkaktuar zjarr, shpërthim ose rrezik për lëndimin tuaj.
- f) **Mos e ekspozoni një pako baterish ose një vegël ndaj zjarrit ose temperaturës shumë të lartë.** Ekspozimi ndaj zjarrit ose një temperature mbi 130°C mund të shkaktojë shpërthim.
- g) **Ndiqni të gjitha udhëzimet për karikimin dhe mos e karikoni pakon e baterive ose veglën jashtë gamës së temperaturës që specifikohet tek udhëzimet.** Karikimi i papërshtatshëm ose në temperatura jashtë gamën së specifikuar mund të dëmtojë baterinë dhe të rritë rrezikun për zjarr.
- 6) **SHËRBIMI**
- a) **Shërbimi i veglës së punës duhet të kryhet nga një person i kualifikuar për riparimet duke përdorur vetëm pjesë ndërrimi identike.** Kjo gjë do të sigurojë ruajtjen e sigurisë së veglave të punës.
- b) **Mos kryeni asnjëherë shërbimin për pakot e baterive.** Shërbimi për pakot e baterive duhet të kryhet vetëm nga prodhuesi ose ofruesit e autorizuar të shërbimit.

UDHËZIMET PËR SIGURINË PËR SMERILUESET

TË PËRGJITHSHME

- Kjo pajisje nuk duhet të përdoret nga personat nën moshën 16 vjeç
- Kjo vegël nuk është e përshtatshme për smerilim në lagështi
- **Mos punoni me materiale që përmbajnë asbest** (asbesti konsiderohet kancerogjen)
- Hiqeni baterinë nga pajisja para se të bëni ndonjë rregullim ose të ndërroni ndonjë aksesor

AKSESORËT

- SKIL mund të garantojë funksionimin pa probleme të veglës vetëm kur përdoren aksesorët origjinalë
- Mos vazhdoni të përdorni fletat e smerilimit të konsumuara, të çara ose shumë të bllokuara

PARA PËRDORIMIT

- Shmangni dëmtimet që mund të shkaktohen nga vidat, gozhdët dhe elementet e tjera në materialin e punës; hiqni ato para se të filloni punën
- Niveli i zhurmës gjatë punës mund të kalojë 85 dB(A); mbani mbrojtëse për veshët
- Pluhurat nga materialet si boja me plumb, disa lloje drurësh, mineralesh dhe metalesh mund të jenë të dëmshme (kontakti ose thithja e pluhurave mund të shkaktojë reagime alergjike dhe/ose sëmundje respiratore për përdoruesin ose personat përreth); **mbani një maskë për pluhurat dhe punoni me një pajisje për heqjen e pluhurave kur mund të lidhet**
- Disa lloje pluhurash skanë klasifikuar si kancerogjene (si pluhuri i lisit dhe i ahut) veçanërisht në ndërthurje me lëndët shtesë për kondicionimin e drurit; **mbani një maskë për pluhurat dhe punoni me një pajisje për heqjen e pluhurave kur mund të lidhet**
- Respektoni kërkesat kombëtare në lidhje me pluhurat për materialet me të cilat dëshironi të punoni

- Mbani doreza mbrojtëse, syze mbrojtëse, rroba të ngushta dhe mbrojtëse për flokët (për flokët e gjatë)
- **Siguroni materialin e punës** (një material i shtrënguar me një pajisje shtrëngimi ose morskë mbahet në mënyrë më të sigurt se sa me dorë)
- Kur smeriloni metale, krijohen shkëndija; mos përdorni kuti pluhurash dhe mbajini personat e tjera dhe materialet e djegshme larg nga zona e punës

GJATË PËRDORIMIT

- Mos e prekni fletën e smerilimit në lëvizje
- Në rast të një defekti elektrik ose mekanik, fikni menjëherë mjetin dhe hiqni baterinë

PAS PËRDORIMIT

- Kur ta largoni pajisjen, fikeni motorin dhe sigurohuni që të gjitha pjesët lëvizëse të kenë ndalur plotësisht

BATERIVE

- **Nëse përfshihet bateria, ajo jepet e karikuar pjesërisht** (për të siguruar kapacitet të plotë të baterisë, karikojeni baterinë plotësisht në karikuesin e baterisë para se ta përdorni mjetin për herë të parë)
- **Përdorni vetëm bateritë dhe karikuesit e mëposhtëm me këtë mjet**
 - Bateria SKIL: BR1*31****
 - Karikues SKIL: CR1*31****
- Mos e përdorni baterinë kur është dëmtuar; ajo duhet ndërruar
- Mos e çmontoni baterinë
- Mos e ekspozoni mjetin/baterinë në shi
- Lejohet temperatura e ambientit (vegël/karikuesin/bateri):
 - kur karikoni 4...40°C
 - gjatë punës -20...+50°C
 - gjatë magazinimit -20...+50°C

SHPJEGIMI I SIMBOLEVE NË VEGËL/BATERI

- ③ Lexoni manualin e udhëzimeve para përdorimit
- ④ Bateritë mund të shpërthejnë kur hidhen në zjarr, prandaj mos i digjni bateritë për asnjë arsye
- ⑤ Ruajeni veglën/karikuesin/baterinë në vende ku temperatura nuk do të kalojë 50°C
- ⑥ Mos i hidhni veglat elektrike dhe bateritë së bashku me materialet e mbeturinave familjare

PËRDORIMI

- Karikimi i baterisë
! lexoni paralajmërimet dhe udhëzimet e sigurisë të dhëna me karikuesin
- Heqja/instalimi i baterisë ②
- Treguesi i nivelit të baterisë ⑦
- shtypni butonin tregues të nivelit të baterisë E për të treguar nivelin aktual të baterisë ⑦a
! kur fillon të pulsojë niveli më i ulët i treguesit të baterisë pasi keni shtypur butonin E ⑦b, bateria është bosh
! kur fillojnë të pulsojnë nivelet 2 të treguesit të baterisë pasi keni shtypur butonin E ⑦c, bateria nuk është brenda temperaturës së lejuar
- Mbrojtja e baterisë
Mjeti fiket papritur ose nuk ndizet kur
 - **ngarkesa është shumë e lartë** --> hiqeni ngarkesën dhe ndizeni përsëri
 - **temperatura e baterisë nuk është brenda nivelit të lejuar të temperaturës nga -20 në +50°C** --> 2 nivelet e treguesit të nivelit të baterisë fillojnë të pulsojnë kur shtypni butonin E ⑦c; prisni derisa bateria

të jetë brenda temperaturës së lejuar

- **bateria është thuhajse bosh (për t'u mbrojtur nga dëmtimi për shkak të shkarkimit të thellë)** --> niveli i ulët i baterisë ose pulsimi për shkak të nivelit të ulët të baterisë ⑦ b tregohet në treguesin e nivelit të baterisë kur shtypni E; karikoni baterinë
- ! **mos vazhdoni të shtypni çelësin e ndezjes/fikjes pasi pajisja të fiket automatikisht; bateria mund të dëmtohet**
- Montoni i fletës së smerilimit ⑧
- ! **hiqeni baterinë nga pajisja para se të bëni ndonjë rregullim ose të ndërtoni ndonjë aksesor**
- ! **thithja e pluhurave kërkon që të përdoren fletë smerilimi me vrimë**
- ! **vrimat në fletën e smerilimit duhet të përputhen me vrimat në këmbën e smerilimit**
- ! **ndërroni fletët e konsumuara të smerilimit në kohën e duhur**
- ! **përdorni gjithmonë pajisjen me të gjithë sipërfaqen e smerilimit të mbuluar me letërën e smerilimit**
 - montoni fletën e smerilimit VELCRO si në ilustrim
- Thithja e pluhurave
- ! **mos përdorni qesen e pluhurave me korrent kur smeriloni metale**
- Qesja e pluhurave ⑨
 - montoni qesen e pluhurave B
 - boshatisni rregullisht qesen e pluhurave për një rendiment optimal në mbledhjen e pluhurave
- Çelësi i ndezjes/fikjes
 - ndizeni/fikeni pajisjen duke e shtyrë çelësin C ② përpara/prapa
- ! **para se sipërfaqja e smerilimit të arrijë te materiali i punës, duhet ta ndizni pajisjen**
- ! **para se ta fikni veglën, ju duhet ta ngrini atë nga materiali i punës**
- Mbajta dhe drejtimi i veglës ⑩
- ! **gjatë punës, mbajeni gjithmonë veglën në zonën(at) e dorezës me ngjyrë gri**
 - lëizeni pajisjen paralel me sipërfaqen e punës
 - mos ushtroni shumë tryzni mbi pajisje; lëreni sipërfaqen e smerilimit që të punojë për ju
 - mos e anoni veglën për të shmangur shenja të padëshiruara nga smerilimi
 - mbajni të çarat e ajrimit D ② të pambuluara

KËSHILLË PËR PËRDORIMIN

- Përdorni mjetin për të fërkuar sipërfaqe të mëdha, cepa dhe anë ⑪
- Mos përdorni kurrë të njëjtën fletë smerilimi për dru dhe për metale
- Aftësitë gërryese të rekomanduara për fletën e smerilimit:
 - për heqjen e bojës dhe për smerilimin e drurit shumë të ashpër, përdorni nivele të ashpra të aftësisë gërryese (40, 60)
 - për smerilimin e drurit të ashpër ose të thjeshtë, përdorni nivele mesatare të aftësisë gërryese (80, 100, 120)
 - për zbutjen e drurit ose të sipërfaqeve me bojë të vjetër, si dhe për lustër në dru të thjeshtë, përdorni nivele për aftësi gërryese të imët (180, 240, 320)
- Përdorni nivele të ndryshme të aftësisë gërryese kur sipërfaqja e punës është e ashpër:

- filloni smerilimin me aftësi gërryese të ashpër ose mesatare
- lustroni me aftësi gërryese të imët
- Për më shumë informacion, shikoni www.skil.com

MIRËMBAJTJA / SHËRBIMI

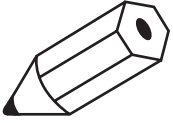
- Mbajeni gjithmonë veglën dhe kordonin të pastër (veçanërisht të çarat e ajrosjes D ②)
 - hiqni pluhurin e smerilimit që ngjitet me anë të një furçe
 - hiqeni baterinë nga mjeti para se ta pastroni
- Nëse pajisja ka defekt pavarësisht kujdesit në prodhim dhe procedurat e provave, riparimi duhet të kryhet nga një qendër e shërbimit pas shitjes për veglat e punës të SKIL
 - dërgoni veglën të çmontuar së bashku me vërtetimin e blerjes të shitësisë ose të qendra më e afërt e shërbimit e SKIL (adresat si dhe diagrami i shërbimit i veglës janë të paraqitura në www.skil.com)
- Kini parasysh se dëmtimet për shkak të mbingarkesës ose manovrimit të papërshtatshëm të veglës janë të përjashtuara nga garancia (për kushtet e garancisë së SKIL vizitoni www.skil.com ose pyetni shitësin tuaj)

MJEDISI

- **Mos i hidhni veglat elektrike, bateritë, aksesorët dhe paketimin së bashku me materialet e mbeturinave familjare** (vetëm për vendet e BE-së)
 - në respektim të Direktivës evropiane 2012/19/EC për pajisjet elektrike dhe elektronike si mbetje dhe zbatimin e saj në përputhje me ligjet kombëtare, pajisjet elektrike që kanë arritur në fund të jetëgjatësisë së tyre duhet të mbledhen të ndara dhe të kthehen në një objekt riciklimi në përputhje me mjedisin.
 - simboli ⑬ do t'ju kujtojë për këtë gjë kur të jetë nevoja për t'i hedhur
- ! **para hedhjes mbroni terminalet e baterisë me ngjytë të fortë për të parandaluar qarkun e shkurtër**

ZHURMA / VIBRIMI

- I matur sipas EN 62841, niveli i presionit të zhurmës së këtij mjeti është 82 dB(A) dhe niveli i fuqisë së zhurmës 90 dB(A) (pasiguria K = 3 dB), dhe dridhja 3,46 m/s² (shuma e vektorit triax; pasiguria K = 1.5 m/s²)
- Niveli i emetimit të vibrimit është matur në përputhje me një provë të standardizuar të dhënë në EN 62841; ajo mund të përdoret për të krahasuar një vegël me një tjetër dhe si një vlerësim paraprak i ekspozimit ndaj vibrimit kur përdorni pajisjen për proceset e përmendura
 - përdorimi i pajisjes për procese të ndryshme, ose me aksesorë të ndryshëm dhe të mirëmbajtur keq, mund të rritë ndjeshëm nivelin e ekspozimit
 - kohët kur pajisja është e fikur dhe kur është e ndezur por jo në punë, mund të zvogëlojnë ndjeshëm nivelin e ekspozimit
- ! **mbroni veten nga efektet e vibrimit duke mirëmbajtur pajisjen dhe aksesorët e saj, duke i mbajtur duart e ngrohta dhe duke organizuar mënyrën tuaj të punës**



A series of horizontal lines for writing, starting from the top line and extending down to the bottom line of the page.

- اگر باتری آسیب دیده است از آن استفاده نکنید؛ باید آنرا عوض کنید
- باتری را از هم باز نکنید
- ابزار باتری نباید در معرض باران قرار داده شود
- دمای محیطی مجاز (ابزار شارژر باتری):
- هنگام شارژ ۴... ۰ °C درجه سانتیگراد
- هنگام کار ۲۰... ۵۰ °C درجه سانتیگراد
- قرار دادن در محل نگهداری ۲۰... ۵۰ °C درجه سانتیگراد

شرح علائم و نمادهای ابزار باتری

- Ⓟ پیش از کار حتماً دفترچه راهنما را مطالعه کنید
- Ⓛ اگر باتری در آتش انداخته شود امکان انفجار آن وجود دارد. بنابراین هرگز و به هیچ دلیلی باتری را نرسوزانید
- Ⓛ ابزار شارژر را در مکانی نگهدارید که دمای آن از ۵۰ °C درجه سانتیگراد تجاوز نمی کند

- Ⓛ ابزارهای برقی باتری ها، آنها را نباید همراه با زباله های عادی خانگی دور انداخت

استفاده

- شارژ کردن باتری
- ! **هشدارها و دستورالعمل های ارائه شده همراه شارژر را مطالعه کنید**
- برداشتن/قرار دادن باتری Ⓛ
- نشانگر شارژر باتری Ⓛ
- برای نمایش سطح کنونی باتری Ⓛ a دکمه نشانگر شارژر باتری E را فشار دهید
- ! **اگر با فشار دادن دکمه Ⓛ b، نشانگر پایین ترین سطح باتری شروع به چشمک زدن می کند، باتری تخلیه شده است**
- ! **هنگامی که سطوح Ⓛ نشانگر باتری بعد از فشار دادن دکمه Ⓛ c شروع به چشمک زدن می کند، باتری در محدوده دمای کاری مجاز نیست**
- محافظت باتری

ابزار در شرایط زیر نگاهان خاموش شده و یا روشن نمی شود

- بار وارده خیلی زیاد است -- بار برداشته و دوباره راه اندازی کنید
- دمای باتری در محدوده دمای کاری مجاز ۰-۲۰ تا ۵۰ °C درجه سانتیگراد نیست
- << A سطوح نشانگر شارژر باتری در هنگام فشار دادن دکمه Ⓛ E شروع به چشمک زدن می کنند، صبر کنید تا باتری به محدوده دمای کاری مجاز بازگردد
- باتری عملاً تخلیه شده است (برای محافظت در برابر تخلیه عمیق) -- یک سطح باتری ضعیف یا سطح باتری ضعیف چشمک Ⓛ b در صورت فشار دادن دکمه E روی نشانگر سطح باتری دیده خواهد شد؛ باتری را شارژ کنید
- ! **بعد از خاموش شدن خودکار ابزار کلید روشن/خاموش را مرتب فشار ندهید؛ امکان دارد باتری آسیب ببیند**

- سوار کردن کاغذ سنبله Ⓛ
- ! **پیش از انجام هرگونه تغییر و یا عوض کردن متعلقات، باتری را از ابزار خارج کنید**
- ! **به دلیل قابلیت مکش گرد و غبار این دستگاه باید حتماً از کاغذ سنبله های سوراخدار استفاده کنید**
- ! **سوراخهای روی کاغذ سنبله باید با سوراخهای زیره دستگاه سنبله زن هماهنگی داشته باشد**

- ! **کاغذ سنبله های مستعمل را به موقع عوض کنید**
- ! **همیشه موقع استفاده از ابزار باید کل سطح سنبله زنی آن با کاغذ سنبله پوشانیده شده باشد**
- کاغذ سنبله چسبی را مطابق شکل قرار دهید
- مکش گرد و غبار
- ! **هنگام سنبله زنی فلزات نباید از کیسه جمع آوری گرد و غبار استفاده کنید**

کیسه جمع آوری گرد و غبار Ⓛ

- کیسه جمع آوری گرد و غبار B را سوار کنید
- به منظور حفظ کیفیت یهونه جمع آوری، باید کیسه جمع آوری گرد و غبار را بطور مرتب خالی کنید
- کلید روشن/خاموش
- با فشار دادن کلید Ⓛ 1 به جلو عقب می توان ابزار را روشن/خاموش کرد
- ! **شما باید ابزار را پیش از رسیدن سطح سنبله به قطعه کاری روشن کنید**
- ! **ابزار را باید قبل از خاموش کردن از روی قطعه کاری برداشت**
- نگهداشتن و هدایت ابزار Ⓛ
- ! **هنگام کار باید همیشه ابزار را از جا(های) دست خاکستری رنگ بگیرید**
- ابزار را موازی سطح کار حرکت دهید
- فشار بیش از حد به ابزار وارد نکنید؛ بگذارید سطح سنبله به جای شما کار

کند

- برای جلوگیری از ایجاد ردهای ناخواسته سنبله هرگز ابزار را کج نکنید
- شیارهای تهبویه Ⓛ D را مسدود نکنید

توصیه های کاربردی

- اگر باتری به همراه محصول عرضه شده است، شارژ آن کامل نیست Ⓛ
- هرگز از یک کاغذ سنبله یکسان برای چوب و فلزات استفاده نکنید
- درجه بندی پیشنهادی کاغذ سنبله:
- برای پاک کردن رنگ و سنبله زنی چوب های بسیار ضخمت از درجه بندی های درشت (۴۰، ۶۰) استفاده کنید
- برای سنبله زنی چوب ضخمت یا هموار از درجه بندی های متوسط استفاده کنید (۸۰، ۱۰۰، ۱۲۰)
- برای صاف کردن سطوح و سطوح دارای رنگ کهنه و نیز پرداخت کاری چوب تخت از درجه بندی های ریز (۱۸۰، ۲۴۰، ۳۲۰) استفاده کنید
- اگر سطح خیلی زخمخت است از چند نوع درجه بندی استفاده کنید:
- ابتدا با درجه بندی زیر یا متوسط سنبله بزنید
- کار را با درجه بندی نرم به پایان برید
- برای اطلاعات بیشتر به www.skil.com مراجعه کنید

نگهداری / سرویس- خدمات

- همیشه ابزار و سیم برق را تمیز نگهدارید (بخصوص شیارهای تهبویه Ⓛ D)
- گردهای چسبیده سنبله را با یک برس پاک کنید
- پیش از تمیز کردن باید باتری را از ابزار جدا کنید
- اگر ابزار علیرغم تمام وقت و مراقبتی که در فرایندهای تولید و تست بکار برده شده از کار افتاد، تعمیرات باید فقط در مراکز خدمات پس از فروش ابزارهای برقی SKIL انجام شود
- ابزار را بصورت باز نشده همراه با رسید خرید به فروشنده یا نزدیک ترین مرکز خدمات SKIL بفراستید (آدرسها به همراه نمودار نقشه های سرویس ابزار در www.skil.com موجود است)
- توجه داشته باشید که خرابی و خسارت ناشی از اضافه بار یا کار کردن نادرست یا ابزار مشمول ضمانت نخواهند بود (برای آگاهی از شرایط ضمانت SKIL به نشانی www.skil.com مراجعه کرده یا از فروشنده خود سوال کنید)

محیط زیست

- ابزارهای برقی، باتری ها، لوازم و بسته بندی آنها را نباید همراه با زباله های عادی خانگی دور انداخت فقط مخصوص کشورهای عضو اتحادیه اروپا)
- با توجه به مصوبه اروپایی EC/۱۹/۲۰۱۱ اروپا درباره لوازم برقی و الکترونیکی مستعمل و اجزای این مصوبه مطابق با قوانین کشوری، ابزارهای برقی که به پایان عمر مفید خود رسیده اند باید جداگانه جمع آوری شده و به یک مرکز بازیافت مناسب و سازگار با محیط زیست انتقال یابند
- تااعلامت Ⓛ یادآور این مسئله در هنگام دور انداختن است
- ! **قبل از دور انداختن باتری حتماً باید روی پایانه های باتری را با نوار چسب سنگین بپوشانید تا اتصال کوتاه نکند**

صدا / ارتعاشات

- برطبق اندازه گیری های انجام شده بر اساس استاندارد EN ۱۲۸۴۱، میزان فشار صوتی این ابزار ۸۲ دسی بل و میزان توان صوتی آن ۹۰ دسی بل (عدم قطعیت K = ۳ دسی بل). و میزان ارتعاشات آن ۳،۶۱ متر/مخرد ثانیه (جمع بردارهای سه جهتی: عدم قطعیت K = ۱،۵ متر/مخرد ثانیه) می باشد
- میزان انتشار ارتعاشات بر اساس تست استاندارد شده ای که در EN ۱۲۸۴۱ معرفی شده است اندازه گیری کردید: از این ارقام می توان برای مقایسه یک ابزار با دیگری و بعنوان ارزیابی اولیه در معرض قرارگیری ارتعاشات هنگام کار با ابزار در کاربری های فوق استفاده کرد
- استفاده کردن از ابزار برای کاربردهای متفاوت، یا با لوازم و متعلقات متفاوتتفرقه با لوازم و متعلقاتی که بد نگهداری شده اند، می تواند میزان در معرض قرارگیری را بطور قابل ملاحظه ای افزایش دهد
- معروضی که ابزار خاموش است یا روشن است ولی کاری با آن انجام نمی شود، میزان در معرض قرارگیری را بطور قابل توجهی کاهش می یابد
- ! **نگهداری مناسب از ابزار و لوازم و متعلقات آن، گرم نگهداشتن دست های خود، و سازمان دهی طرح های کاری می توانبد خود را در برابر اثرات ارتعاش محافظت کنید**

- لتلمیس الخشب والأسطح ذات الطلاء القديم بالإضافة إلى تنظيف الخشب المكشوف. استخدم الحبيبات الناعمة أحجام ۱۸۰، ۱۴۰، ۳۱۰
- استخدام أحجام صخور رميلية مختلفة عندما يكون سطح العمل خشن:
- ابدأ الصنفرة باستخدام الصخور الرميلية الخشنة أو المتوسطة
- قم بالتنظيف باستخدام صخور رميلية ناعمة
- مزيد من المعلومات زر موقعنا www.skil.com

الصيانة / الخدمة

- احرص دائمًا على نظافة الآداة والسلك (وخصوصًا فتحات التهوية D ①):
- قم بإزالة الغبار اللصق الناتج عن الصنفرة باستخدام فرشاة
- أزل البطارية من الآداة قبل التنظيف
- إذا تعذر تشغيل الآداة على الرغم من الحذر الشديد في إجراءات التصنيع والأختبار، فيجب القيام بالإصلاحات بواسطة مركز خدمة ما بعد البيع لأدوات الطاقة التابع لشركة SKIL.
- قم بإرسال الآداة دون تفكيكها بالإضافة إلى إثبات الشراء إلى البائع أو أقرب محطة خدمة SKIL (العناوين بالإضافة إلى مخطط الخدمة متاحان على www.skil.com)
- كن على علم بأن التلف الناتج عن زيادة التحميل أو التعامل مع الآداة بطريقة خاطئة سيتم استثناءه من الضمان (العرفه شروط ضمان SKIL انظر www.skil.com أو قم بسؤال بائع المعدات)

البيئة المحيطة

- لا تتخلص من الأدوات الكهربائية والبطاريات والملحقات ومواد التغليف مع النفايات المنزلية (لدول الاتحاد الأوروبي فقط):
- وفقًا لتوجيه الأوروبي ۱۲/۱۹/۲۰۰۲ EC حول نفايات المعدات الكهربائية والإلكترونية وتطبيقه بالتوافق مع القانون المحلي، يجب جميع الأدوات الكهربائية منتهية الصلاحية بشكل منفصل وإرسالها إلى أحد منشآت إعادة التصنيع المتوافقة مع البيئة
- سيذرك الرمز ① بهذا عند الحاجة إلى التخلص من أية أداة.
- ! قبل التخلص من البطارية، قم بحماية الأطراف بشرط قوي لمنع حدوث دارة قصيرة

الوضوء / الاهتزاز

- عند القياس بالتوافق مع EN 12۸۴1، يكون مستوى ضغط صوت هذه الآداة هو ۸۲ ديسيبل (A) ومستوى صوت الطاقه ۹۰ ديسيبل (A) (الاحتمالية $K = 1.5$ ديسيبل).
- والامتزاز ۳،۴۱ م/ث^۲ بمجموعة الكميات الموضحة، الاحتمالية $K = 1.5$ م/ث^۲
- تم قياس مستوى الاهتزاز بالتوافق مع الاختبار المعياري المحد في EN 12۸۴1، يمكن استخدامه لمقارنة أداة بأداة أخرى وتقييم تهديد التعرض للاهتزاز عند استخدام الآداة في التطبيقات الموضحة:
- قد يؤدي استخدام الآداة في تطبيقات مختلفة أو مع ملحقات مختلفة أو ذات صيانة رديئة إلى زيادة مستوى التعرض بصورة كبيرة:
- إن الفترة الزمنية التي يتم خلالها إيقاف تشغيل الآداة أو عندما تكون قيد التشغيل لكنها لا تؤدي أي مهام، تؤدي إلى تقليل مستوى التعرض بصورة كبيرة:
- ! قم بحماية نفسك من تأثيرات الاهتزاز من خلال صيانة الآداة وملحقاتها، والحفاظ على يدك دافئتين وتنظيم أنماط العمل لديك:

FA

تدريب سول شارب هراك دن ج هاداب نس ۳۷۱۵

مقدمه

- این ابزار صرفاً برای سنباده زنی خشک، چوب، پلاستیک، فلزات، بتونه و سطوح رنگ شده طراحی شده است
- این ابزار برای سنباده زنی گچ مناسب نیست
- لطفاً این فرجه را رها نکنیم را مطالعه کرده و نگهدارید ③

اطلاعات فنی ①

اجزای ابزار ②

- A صفحه زیرین
- B کیسه جمع آوری گرد و غبار
- C کلید روشن خاموش
- D سببهای تهویه
- E نشانگر شارژ باتری

ایمنی

راهنمای های ایمنی عمومی برای ابزارهای الکتریکی

⚠ هشدار تمامی هشدارهای ایمنی، دستورالعمل ها، تصاویر و مشخصات فنی ارائه شده همراه با این ابزار الکتریکی را مطالعه کنید در صورت عدم رعایت هشدارهای زیر خطر برق گرفتگی، آتش سوزی و/یا بروز جراحت های شدید وجود خواهد داشت.

همه هشدارها و راهنمایی ها را برای استفاده آتی نگهداری کنید.

در این هشدارها عبارت "ابزار الکتریکی" به معنی ابزارهای الکتریکی فاقد باتری (با سیم برق) و یا ابزارهای الکتریکی باتری دار (شارژی) است

- 1) ایمنی محل کار
 - أ) محل کار خود را تمیز، مرتب و مجهز به نور کافی نگهدارید. محیط کار نامرتب و کم نور میتواند باعث سوانح کاری شود.
 - ب) با ابزار الکتریکی در محیط هایی که در آن خطر انفجار وجود داشته و حاوی مایعات، گازها و غبارهای محترقه باشد، کار نکنید. ابزارهای الکتریکی جرقه هایی ایجاد می کنند که می توانند باعث آتش گرفتن گرد و بخارهای موجود در هوا شوند.
 - ت) هنگام کار با ابزار الکتریکی، کودکان و سایر افراد را از دستگاه دور نگهدارید. در صورتیکه حواس شما پرت شود، ممکن است کنترل دستگاه از دست شما خارج شود.
 - ث) ایمنی الکتریکی
 - أ) دوشاخه ابزار الکتریکی باید با پریز برق تناسب داشته باشد. هیچگونه تغییری در دوشاخه ندهید. مبدل دوشاخه نباید همراه با ابزار الکتریکی دارای اتصال به زمین (ارت شده) استفاده شود. مبدل دوشاخه نباید همراه با ابزار الکتریکی دارای اتصال به زمین (ارت شده) استفاده شود.
 - ب) از تماس بدنی با قطعات دارای سیم، اتصال به زمین (ارت شده) مانند لوله، شلوار، اجاق برقی و یخچال خود داری کنید. در صورتیکه بدن شما با سیم دارای اتصال به زمین (ارت شده) تماس پیدا کند، خطر برق گرفتگی بیشتر خواهد شد.
 - ت) دستگاه را از باران و رطوبت دور نگهدارید. نفوذ آب به ابزار الکتریکی خطر شوک الکتریکی را افزایش می دهد.
 - ث) از سیم به درستی استفاده کنید. از سیم دستگاه برای کارهایی چون حمل ابزار الکتریکی، آویزان کردن آن و یا خارج کردن دوشاخه از برق استفاده نکنید. دستگاه را در مقابل حرارت، روغن، لبه های تیز و بخش های متحرک دستگاه دور نگهدارید. کابل های آسیب دیده و یا گره خورده خطر شوک الکتریکی را افزایش می دهند.
 - ج) در صورتیکه با ابزار الکتریکی در محیط باز کار می کنید، تنها از کابل را بطی استفاده کنید که برای محیط باز نیز مناسب باشد. کابل های رابط مناسب برای محیط باز، خطر برق گرفتگی را کم می کنند.
 - ح) در صورت لزوم کار با ابزار الکتریکی در محیط و اماکن مرطوب، در اینصورت باید از یک کلید حفاظتی جریان خطا و نشستی زمین (کلید قطع کننده اتصال یا زمین) استفاده کنید. استفاده از کلید حفاظتی جریان خطا و نشستی زمین خطر برق گرفتگی را کمتر می کند.
- ۳) رعایت ایمنی اشخاص
 - أ) حواس خود را خوب جمع کنید، به کار خود دقت کنید و با فکر و هوش کامل با ابزار الکتریکی کار کنید. در صورت خستگی و یا در صورتیکه مواد مخدر، الکل و دارو استفاده کرده اید، با ابزار الکتریکی کار نکنید. یک خطه بی توجهی هنگام کار با ابزار الکتریکی، میتواند جراحات های شدیدی به همراه داشته باشد. همواره از تجهیزات ایمنی شخصی استفاده کنید. همواره از عینک ایمنی استفاده کنید. استفاده از تجهیزات ایمنی مانند ماسک ایمنی، کفش های ایمنی ضد لغزش، کلاه ایمنی و گوشی ایمنی متناسب با نوع کار با ابزار الکتریکی، خطر مجروح شدن را تقلیل می دهد.
 - ت) مواظب باشید که ابزار الکتریکی بطور ناخواسته بکار نیفتد. قبل از وارد کردن دوشاخه دستگاه در پریز برق، اتصال آن به باطری، برداشتن آن و یا حمل دستگاه، باید دقت کنید که ابزار الکتریکی خاموش باشد. در صورتیکه هنگام حمل

- المعدلة سلوكيات غير متوقعة ينجم عنها حدوث حريق أو انفجار أو خطر التعرض للإصابة.
- ح) تجنب تعريض حزمة البطاريات أو الأداة للهبب أو درجة الحرارة الزائدة. التعريض للهبب أو درجة حرارة أعلى من ٠٣١ درجة مئوية قد يتسبب في حدوث انفجار.
- خ) اتبع كل تعليمات الشحن ولا تقم بشحن حزمة البطاريات أو الأداة خارج نطاق درجة الحرارة المحدد في التعليمات. إن الشحن على نحو غير صحيح أو عند درجات حرارة تتجاوز النطاق المحدد قد يتسبب في تلف البطارية وزيادة خطر حدوث حريق.
- ١٦) الخدمة
- أ) اسمح بتصليح عدتك الكهربائية فقط من قبل المتخصصين فقط وباستعمال قطع الغيار الأصلية. يؤمن ذلك المحافظة على أمان الجهاز.
- ب) تجنب تماماً خدمة حزم بطاريات تالفة. ينبغي إجراء أعمال الخدمة على حزم البطاريات بعرفة الشركة المصنعة أو مزودي الخدمة المعتمدين فقط.

تعليمات السلامة الخاصة بأدوات الصنفرة الرملية

- شرح الرموز الموجودة على الأداة/البطارية
- ٢) قم بقراءة دليل الإرشادات قبل الاستخدام
- ٤) قد تنفجر البطاريات عندما يتم التخلص منها بإشعال النار بها. لذا لا تقم بإحراقها لأي سبب من الأسباب
- ٤) قم بتخزين الأداة/الشاحن/البطارية في أماكن لا تتجاوز درجة الحرارة فيها ٥٠ درجة مئوية؛
- ١) لا تتخلص من الأدوات الكهربائية والبطاريات مع النفايات المنزلية

الاستخدام

- شحن البطارية
- اقرأ تحذيرات السلامة والتعليمات المرفقة بالشاحن
- فك/تركيب البطارية ٢)
- ميين مستوى البطارية ٧)
- اضغط زر مؤشر مستوى البطارية E لعرض مستوى البطارية الحالي a) ٧
- عندما يبدأ المستوى الأقل في مؤشر البطارية بالوميض بعد الضغط على الزر E، b) تكون البطارية فارغة
- عندما يبدأ ٢ من مستويات مؤشر البطارية بالوميض بعد الضغط على الزر E، c) لا تكون البطارية ضمن نطاق درجة حرارة التشغيل المسموح بها
- حماية البطارية
- يتم إيقاف تشغيل الأداة أو منع تشغيلها بصورة مفاجئة عندما يكون الحمل زائداً -- قم بإزالة الحمل وإعادة البدء
- لا تكون درجة حرارة البطارية ضمن نطاق درجة حرارة التشغيل المسموح بها من ٢٠ إلى ٥٠ درجة مئوية -- يبدأ ٢ من مستويات مؤشر مستوى البطارية بالوميض عند الضغط على الزر E، c)؛ انتظر حتى تعود البطارية إلى نطاق درجة حرارة التشغيل المسموح بها
- البطارية شبيهة بقارعة الحمايشها ضد التفرغ التام (الشحنة) -- يظهر انخفاض مستوى البطارية أو انخفاض مستوى البطارية الواضح b) من خلال مؤشر مستوى البطارية عند الضغط على زر E؛ اثنح البطارية
- لا تستمر في الضغط على مفتاح تشغيل/إيقاف تشغيل بعد إيقاف تشغيل الأداة تلقائياً، فرما تتسبب في إتلاف البطارية
- تركيب لوح الصنفرة ٨)
- إزالة البطارية من الأداة قبل إجراء أي عمليات ضبط أو تغيير على أي من الملحقات

- تتطلب شق الأثرية استخدام ألواح صنفرة مثقوبة
- يجب أن تتوافق ثقب ألواح الصنفرة مع الثقب الموجودة في طرف الصنفرة
- قم باستبدال ألواح الصنفرة التالفة في الحال
- قم دائماً باستخدام الأداة أثناء تغطية سطح الصنفرة بالكامل بورق الصنفرة

- قم بتثبيت لوح صنفرة فلكرو كما هو موضح في الشكل
- شق الغبار

لا تستخدم كيس الغبار عند صنفرة المعادن

- كيس غبار ٩)
- ركّب كيس الغبار B
- قم بتفريغ صندوق الغبار بانتظام للحصول على أفضل أداء لالتقاط الغبار
- مفتاح التشغيل/إيقاف
- قم بتشغيل/إيقاف الأداة بالضغط على الزر C ١) للأمام/للخلف
- قبل ملاسمة سطح الصنفرة لقطعة العمل. يجب عليك القيام بتشغيل الأداة
- قبل إيقاف تشغيل الأداة، يجب أن ترفعها عن قطعة العمل؛
- إمساك الأداة وتوجيهها ٥)
- أثناء العمل، امسك الأداة دائماً من منطقة (مناطق) المقبض رمادية اللون
- قم بتوجيه الأداة بشكل موازي لسطح العمل
- لا تضغط بشدة على الأداة ودع سطح الصنفرة يقوم بالعمل
- لا تقم بإزالة الأداة حتى تنفاد حدوث علامات صنفرة غير مرغوبة
- احرص على أن تكون فتحات التهوية D ٦) غير مغلقة؛

توصيات الاستخدام

- قم باستخدام الأداة لصنفرة أسطح العمل الكبيرة، والأركان والحواف ١١)
- لا تقم مطلقاً باستخدام نفس لوح الصنفرة للأخشاب والمعادن
- اصور لوح الصنفرة الموصى بها؛
- لإزالة الطلاء ولصنفرة الخشب شديد الخشونة، استخدم الحصاة الخشنة أحجام (٤٠، ١٠)
- لصنفرة الخشب الخشن أو العادي، استخدم الحصاة المتوسطة أحجام (٨٠، ١٠٠)

- لا يجب استخدام هذه الأداة من قبل الأشخاص الأقل من ١٦ عام؛
- هذه الأداة غير مناسبة للصنفرة الرطبة
- لا تعمل باستخدام مواد تشتمل على الألبستوس أو يعتبر الألبستوس مادة مسرطنة؛
- إزالة البطارية من الأداة قبل إجراء أي عمليات ضبط أو تغيير على أي من الملحقات
- الملحقات
- تضمن SKIL التشغيل السليم للأداة عند استخدام الملحقات الأصلية؛
- لا تستمر في استخدام ألواح الصنفرة التالفة أو المرزقة أو المسدودة بشكل كبير قبل الاستخدام
- تجنب التلف الذي قد يتسبب فيه البراغي والسمامير والعناصر الأخرى الموجودة في القطعة التي تعمل بها. قم بفكهم قبل بدء العمل؛
- قد يزيد مستوى الضوضاء أثناء العمل عن ٨٥ ديسيبل (A). لذا قم بإرتداء واقيات للآذن
- الغبار الناتج من المواد كالطلاء الذي يحتوي على رصاص وبعض أنواع الأخشاب والمعادن والمكونات المعدنية قد يكون ضاراً (ملازمة) أو استنشاق الغبار قد يتسبب في إصابة المشغل أو من يجاوره بأمراض الحساسية أو أمراض الجهاز التنفسي؛
- قم بإرتداء قناع للغبار مع العمل باستخدام جهاز شطف للغبار، طالما أمكن توصيله
- ثمة أنواع معينة من الغبار تُصنّف على أنها مواد مسيئة للسرطان (مثل غبار خشب البلوغ والزان) خاصة عند استخدامها مع مواد مضافة معالجة الخشب؛ قم بإرتداء قناع للغبار مع العمل باستخدام جهاز شطف للغبار، طالما أمكن توصيله
- التزم بالمتطلبات الوطنية الخاصة بالغبار عند العمل باستخدام المواد المطلوبة
- قم بإرتداء قفازات واقية ونظارات واقية وملابس محكمة على الجسم وواقي الشعر (للشعر الطويل)
- ثبت قطعة العمل (الإمساك بقطعة عمل مثبتة بآهجرة تثبيت أو في ملزمة أكثر أمثاً من مسكها باليد)؛
- عند صنفرة المعادن، تتولد شرارة لا تقم باستخدام صندوق الغبار واحرص على بقاء الأفراد والمواد الأخرى القابلة للاشتعال بعيداً عن منطقة العمل
- أثناء الاستخدام
- لا تلمس لوح الصنفرة المتحرك
- في حالة حدوث خلل كهربائي أو ميكانيكي، أوقف تشغيل الأداة فوراً وأزل البطارية بعد الاستخدام
- عندما تضع الأداة جانباً، أوقف تشغيل المحرك وتأكد من توقف جميع الأجزاء المتحركة بشكل تام
- البطاريات
- البطارية المرفقة -إن وجدت- مشحونة جزئياً (لضمان السعة الكاملة للبطارية. قم بشحن البطارية بالكامل في شاحن البطارية قبل استخدام الأداة الكهربائية لأول مرة)
- استخدم البطاريات والشواحن التي تدر مع هذه الأداة فقط
 - بطارية BR1: SKIL: ٢١٠٠٠٠٠٠
 - شاحن CR1: SKIL: ٢١٠٠٠٠٠٠
- لا تستخدم البطارية إذا تعرضت للتلف؛ يجب استبدالها
- لا تقم بتفكيك البطارية
- لا تعرض الأداة/البطارية للأحطار.
- درجة الحرارة المحيطة المسموح بها (الأداة/الشاحن/البطارية):
 - عند الشحن ٤...٤٠° مئوية
 - أثناء التشغيل ٤٠...٥٠° مئوية
 - أثناء التخزين ٢٠...٥٠° مئوية

تام ادخ تس ال ا دد ع ت مل ا ؤرف ن ص ل ا ا ا ا شرف ن و د ب ؤ ي ك ل س ال ل ا

مقدمة

- تم تصميم هذه الأداة للصنفة الجافة للأخشاب والبلاستيك والمعادن والحشوات والأسطح المطلية
- لم يتم تصميم هذه الأداة للجبس الرملي
- اقرأ دليل التعليمات هذا واحتفظ به (2)

البيانات الفنية (1)

مكونات الأداة (2)

- | | |
|---|---------------------|
| A | الحشية الداعمة |
| B | كيس غبار |
| C | مفتاح التشغيل/إيقاف |
| D | فتحات التهوية |
| E | مبين مستوى البطارية |

أمان

تحذيرات السلامة العامة للأداة الكهربائية

أ) خذير اقرأ كل تحذيرات السلامة والتعليمات والأشكال الإيضاحية والمواصفات المرفقة مع هذه الأداة الكهربائية فقد يؤدي الإخفاق في الالتزام بكل التعليمات المبينة فيما يلي إلى التعرض لصدمة كهربائية وأو حريق وأو إصابة خطيرة:

احتفظ بكل التحذيرات للرجوع إليها في المستقبل

التحذيرات إلى الأداة الكهربائية الخاصة بك التي « الأداة الكهربائية » يشير المصطلح تعمل بطاقة المأخذ الرئيسي باستخدام سلك (أو بطاقة البطارية) بدون سلك:

- الأمين يمكن الشغل
 - حافظ على نظافة وحسن إضاءة مكان شغلك. الفوضى في مكان الشغل ومجالات العمل الغير مضاعة قد تؤدي إلى حدوث الحوادث.
 - لا تشتغل بالبعده الكهربائية في محيط معرض لخطر الإنفجار والذي تتوفر فيه السوائل أو الغازات أو الأبخرة القابلة للاشتعال. العدد الكهربائي تشكل الشرر الذي قد يتطاير. فيسعمل الأبخرة والأبخرة.
 - حافظ على بقاء الأطفال وغيرهم من الأشخاص على بعد عندما تستعمل البعده الكهربائي. قد تنفذ السيطرة على الجهاز عند التلهي.
- الأمين الكهربائي
 - يجب أن يتلامس قايس وصل البعده الكهربائي مع القايس. لا يجوز تغيير القايس بأي حال من الأحوال. لا تستعمل القوايس المهايئة مع العدد الكهربائي المؤرضة تأريض وقائي. تخفض القوايس التي لم يتم تغييرها والقايس الملائمة من خطر الصدمات الكهربائية.
 - جنب ملامسة السطوح المؤرضة كالأنياب ورادياتورات التدفئة والمدافئ أو البرادات بواسطة جسمك. يزداد خطر الصدمات الكهربائية عندما يكون جسمك مؤرض.
- أبعد البعده الكهربائي عن الأمطار أو الرطوبة. يزداد خطر الصدمات الكهربائية إن تسرب الماء إلى داخل البعده الكهربائي.
- يجب عدم إساءة استخدام الكابل. لا تسن استعمال الكابل حمل البعده الكهربائي أو لتعليقها أو لنسحب القايس من القايس. حافظ على إبعاد الكابل عن الحرارة والزيت والحواف الحادة أو عن أجزاء الجهاز المتحركة. تزيد الكابلات التالفة أو المتشابكة من خطر الصدمات الكهربائية.
- استخدم فقط كابلات التمديد الصالحة للإستعمال الخارجي أيضا عندما تشتغل بالبعده الكهربائي في الحلاء. يخفض استعمال كابل تمديد مخصص للإستعمال الخارجي من خطر الصدمات الكهربائية.
- إن لم يكن بالإمكان عدم تشغيل البعده الكهربائي في الأجواء الرطبة. فاستخدم مفتاح للوقاية من التيار المتردد. إن استخدام مفتاح للوقاية من التيار المتردد يقلل خطر الصدمات الكهربائية.
- أمان الأشخاص
 - كن يقظا وانتبه إلى ما تفعله وقيم بالعمل بواسطة البعده الكهربائي بتعقل..

لا تستخدم بعهه كهربائية عندما تكون متعب أو عندما تكون تحت تأثير المخدرات أو الكحول أو الأدوية. عدم الإنتباه للحظة واحدة عند إستخدام البعده الكهربائي قد يؤدي إلى إصابة خطيرة.

(ب) ارتد عتاد الوقاية الخاص. وارتد دائما نظارات واقية. يجب إرتداء عتاد الوقاية الخاص. كفتاح الوقاية من الغبار. وأحذية الأمان الواقية من الإزلاق والحوذ واقية الأذنين.

حسب نوع وإستعمال البعده الكهربائي. من خطر الإصابة بجروح.

(ت) جنب التشغيل بشكل غير مقصود. تأكد من كون البعده الكهربائي مطفاة قبل وصلها بإمداد التيار الكهربائي وأو بالمركب. وقبل رفعها أو حملها. إن كنت تضع إصبعك على المفتاح أثناء حمل البعده الكهربائي أو إن وصلت الجهاز بالشبكة الكهربائية عندما يكون قيد التشغيل. فقد يؤدي ذلك إلى حدوث الحوادث.

(ث) انزع عدد الضبط أو مفتاح الربط قبل تشغيل البعده الكهربائي. قد تؤدي البعده أو المفتاح التواجد في جزء دوار من الجهاز إلى الإصابة بجروح.

(ج) جنب أوضاع الجسد غير الطبيعي. قف بأمان وحافظ على توازنك دائما.

سيسمح لك ذلك من السيطرة على الجهاز بشكل أفضل في المواقف غير المتوقعة.

(ح) ارتد ملابس مناسبة. لا ترتدي الثياب الفضفاضة أو الحلي. حافظ على إبقاء الشعر والثياب والقفازات على بعد عن أجزاء الجهاز المتحركة. قد تشابك الثياب الفضفاضة والحلي والشعر الطويل بالأجزاء المتحركة.

(خ) إن جاز تركيب جهاز شطف وتجميع الغبار. فتأكد من أنها موصولة وأنه يتم استخدامها بشكل سليم. قد يقلل إستخدام جهيزات لشطف الأبخرة من المخاطر الناتجة عن الأبخرة.

(د) لا تعد اعتيادك على الاستخدام المتكرر للأدوات يسمح لك بتجاهل مبادئ سلامة الأداة؛ قد يتسبب الاستخدام بدون احترازا في حدوث إصابة بالغة في غضون ثواني:

(4) حسن معاملة واستخدام العدد الكهربائي

(أ) لا تفرط في تحميل الجهاز. إستخدم لتنفيذ أشغالك البعده الكهربائي المخصصة لذلك. إنك تعمل بشكل أفضل وأكثر أمانا بواسطة البعده الكهربائي الملائمة في مجال الأداء المذكور.

(ب) لا تستخدم البعده الكهربائي إن كان مفتاح تشغيلها تالف. البعده الكهربائي التي لم تعد تسمح بتشغيلها أو بإطفاؤها خطيرة ويجب أن يتم تصليحها.

(ت) اسحب القايس من القايس / أو انزع المركب قبل ضبط الجهاز وقبل إستبدال التوابع أو قبل وضع الجهاز جانبها. تمنع إجراءات الاحتياط هذه تشغيل البعده الكهربائي بشكل غير مقصود.

(ث) احتفظ بالعدد الكهربائي التي لا يتم إستخدامها بعيدا عن منال الأطفال. لا تسمح باستخدام البعده الكهربائي لمن لاخبرة له بها أو لمن لم يقرأ تلك التعليمات.

(ج) اعتن بالعدد الكهربائي بشكل جيد. تحقق عما إذا كانت أجزاء الجهاز المتحركة تعمل بشكل سليم وبأنها غير مستعصية عن الحركة أو إن كانت هناك أجزاء مكسورة أو تالفة لدرجة تؤثر فيها على حسن أداء البعده الكهربائي. ينبغي تصليح هذه الأجزاء التالفة قبل إعادة تشغيل الجهاز. الكثير من الحوادث مصدرها البعد الكهربائي التي تم صيانتها بشكل ردي:

(ح) حافظ على إبقاء عدد القطع نظيفة وحادة. إن عدد القطع ذات حواف القطع الحادة التي تم صيانتها بعناية تتكليس بشكل أقل ويمكن توجيهها بشكل أيسر.

(خ) استخدم العدد الكهربائي والتوابع وعدد التشغيل والإخ. حسب هذه التعليمات. تراعى أثناء ذلك شروط التشغيل والعمل المراد تنفيذه. استخدام البعده الكهربائي لغبر الأشغال المخصصة لأجلها قد يؤدي إلى حدوث الحالات الخطيرة.

(د) احرص على جفاف القمايض وأسطح الإمساك ونظافتها ولها من الزيت والشحم؛ لا تسمح القمايض وأسطح الإمساك الزلقة باستخدام والتحكم الآمن في الأداة في الحالات غير المتوقعة:

(هـ) حسن معاملة واستخدام العدد الزهودة بركم

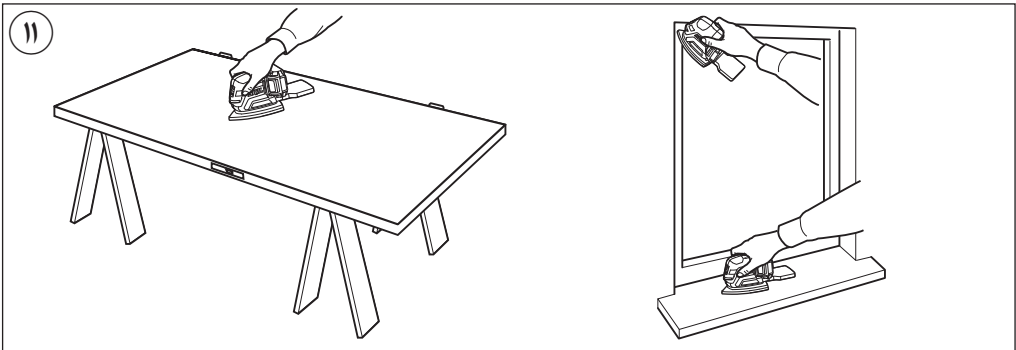
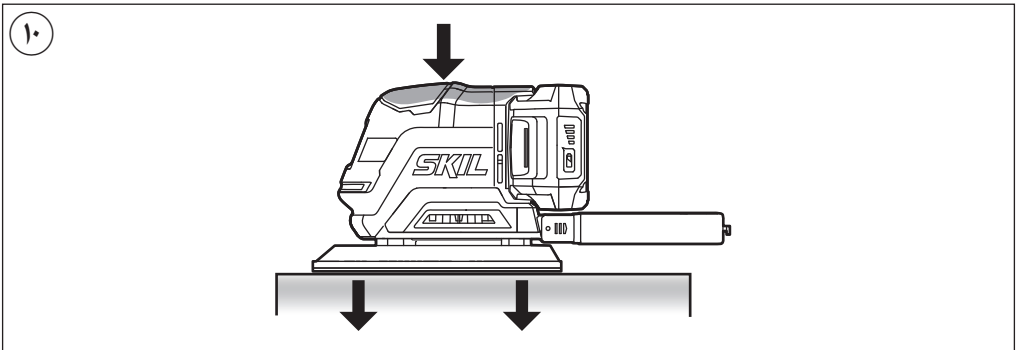
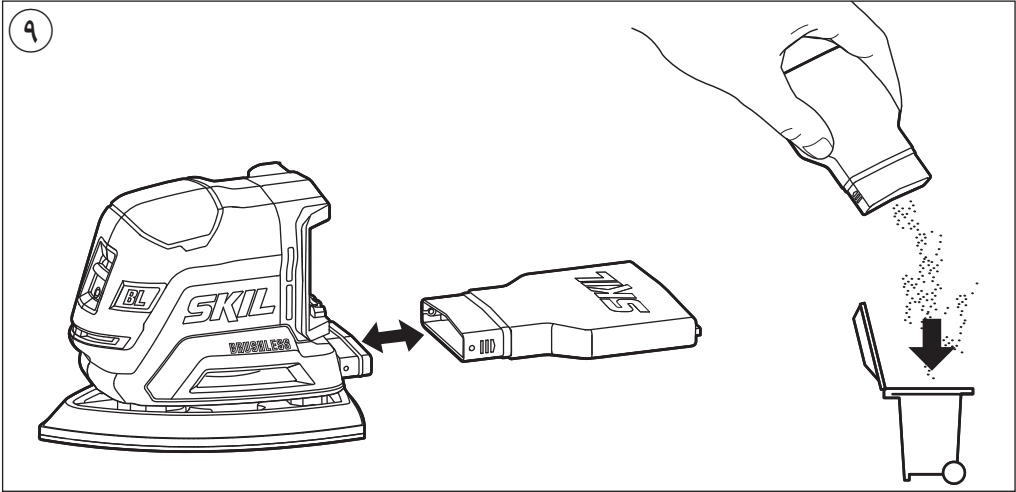
(أ) اشحن المراكم فقط في أجهزة الشحن التي ينصح باستخدامها من طرف المنتج. يعم خطر نشوب الحرائق بأجهزة الشحن المخصصة لنوع معين من المراكم إن تم إستخدامها مع نوع آخر من المراكم.

(ب) استخدم المراكم فقط المراكم المخصصة لذلك. قد يؤدي استخدام المراكم الأخرى إلى الإصابات إلى خطر نشوب الحرائق.

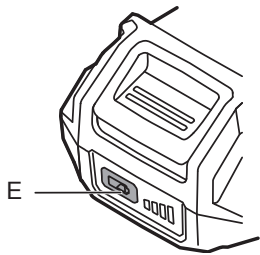
(ت) حافظ على إبعاد المراكم الذي لا يتم إستعماله عن مشابه الورق وقطع النقود المعدنية والمناشير والسامبر والوالاب أو غيرها من الأغراض المعدنية الصغيرة التي قد تقوم بتوصيل الملامسين ببعضها البعض. قد يؤدي تقصير الدارة الكهربائية في ملامس المراكم على الإحترق أو إلى إندلاع النار.

(ث) قد يتسرب السائل من المراكم عند سوء الإستعمال. جنب ملامسته. اشطفه بالماء في حال ملامسته صدفة. إن وصل السائل إلى العينين. فراجع الطبيب إضافة إلى ذلك قد يؤدي سائل المراكم المنسرب إلى تهيج البشرة أو إلى الإحترق.

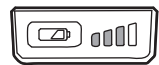
(ج) لا تستخدم حزمة بطاريات أو أداة تالفة أو معدلة. قد تظهر البطاريات التالفة أو



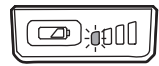
V



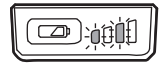
V a



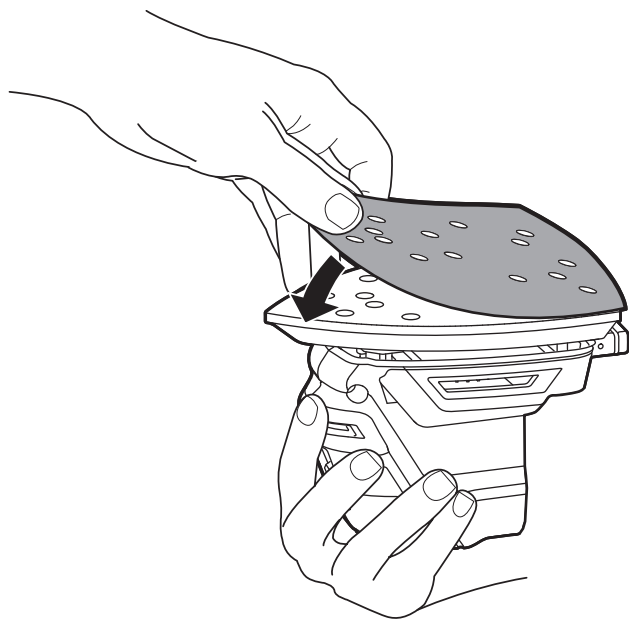
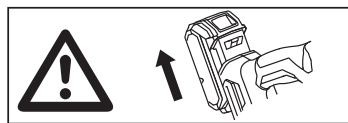
V b



V c

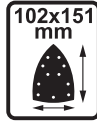
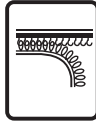
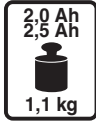
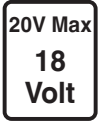


A

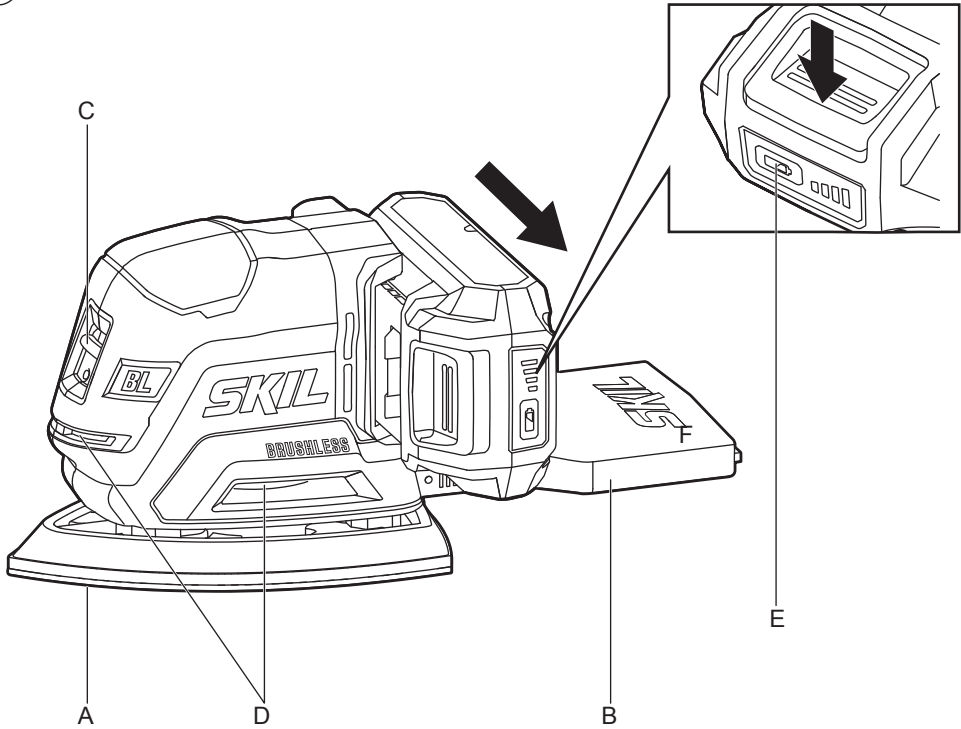


1

3715



2



3



4



5



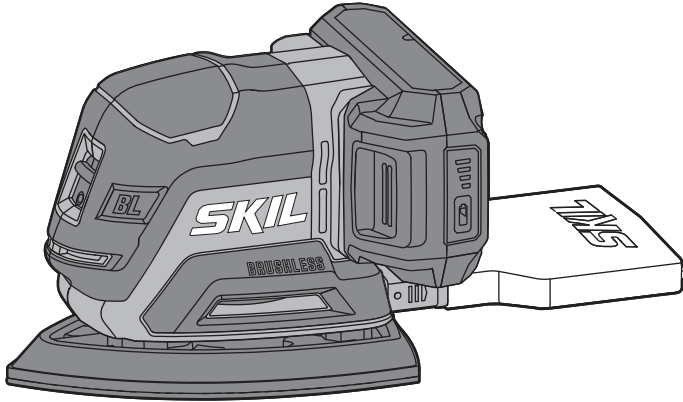
6



أداة الصنفرة المتعددة الاستخدامات
اللاسلكية بدون فرش

SKIL®

3715



دليل الاستعمال **AR**
راهنماي اصلي **FA**

