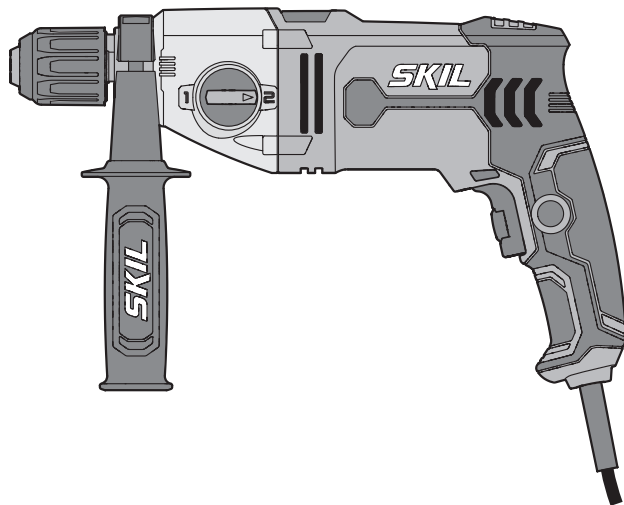


SKIL®

IMPACT DRILL 6745 (HD1*6745**)



GB	ORIGINAL INSTRUCTIONS	9	UA	ОРИГІНАЛЬНА ІНСТРУКЦІЯ З ЕКСПЛУАТАЦІЇ	60
F	NOTICE ORIGINALE	11	GR	ΠΡΟΤΟΤΥΠΟ ΟΔΗΓΙΩΝ ΧΡΗΣΗΣ	63
D	ORIGINALBETRIEBSANLEITUNG	15	RO	INSTRUCȚIUNI DE FOLOSIRE ORIGINALE	67
NL	ORIGINELE GEBRUIKSAANWIJZING	18	BG	ОРИГИНАЛНО РЪКОВОДСТВО ЗА ЕКСПЛОАТАЦИЯ	70
S	BRUKSANVISNING I ORIGINAL	22	SK	PŮVODNÝ NÁVOD NA POUŽITIE	74
DK	ORIGINAL BRUGSANVISNING	24	HR	ORIGINALNE UPUTE ZA RAD	77
N	ORIGINAL BRUKSANVISNING	27	SRB	ORIGINALNO UPUTSTVO ZA RAD	80
FIN	ALKUPERÄISET OHJEET	30	SLO	IZVIRNA NAVODILA	83
E	MANUAL ORIGINAL	33	EST	ALGUPÄRANE KASUTUSJUHEND	86
P	MANUAL ORIGINAL	36	LV	ORIĢINĀLĀ LIETOŠANAS PAMĀCĪBA	89
I	ISTRUZIONI ORIGINALI	40	LT	ORIGINALI INSTRUKCIJA	92
H	EREDETI HASZNÁLATI UTASÍTÁS	43	MK	ИЗБОРНО УПАТСТВО ЗА РАБОТА	95
CZ	PŮVODNÍM NÁVODEM K POUŽÍVÁNÍ	46	AL	UDHËZIMET ORIGINALE	99
TR	ORİJİNAL İŞLETME TALİMATI	49	AR	دليل الاستعمال	110
PL	INSTRUKCJA ORYGINALNA	52	FA	راهنمای اصلی	108
RU	ПОДЛИННИК РУКОВОДСТВА ПО ЭКСПЛУАТАЦИИ	55			



EAC

www.skil.com



GB	EU Declaration of conformity		We declare under our sole responsibility that the stated products comply with all applicable provisions of the directives and regulations listed below and are in conformity with the following standards.
	Impact drill	Article number	Technical file at:*
F	Déclaration de conformité UE		Nous déclarons sous notre propre responsabilité que les produits décrits sont en conformité avec les directives, règlements normatifs et normes énumérés ci-dessous.
	Perceuse à percussion	Numéro d'article	Dossier technique auprès de:*
D	EU-Konformitätserklärung		Wir erklären in alleiniger Verantwortung, dass die genannten Produkte allen einschlägigen Bestimmungen der nachfolgend aufgeführten Richtlinien und Verordnungen entsprechen und mit folgenden Normen übereinstimmen.
	Schlagbohrmaschine	Sachnummer	Technische Unterlagen bei:*
NL	EU-conformiteitsverklaring		Wij verklaren op eigen verantwoordelijkheid dat de genoemde producten voldoen aan alle desbetreffende bepalingen van de hierna genoemde richtlijnen en verordeningen en overeenstemmen met de volgende normen.
	Klopboormachine	Productnummer	Technisch dossier bij:*
S	EU-konformitetsförklaring		Vi förklarar under eget ansvar att de nämnda produkterna uppfyller kraven i alla gällande bestämmelser i de nedan angivna direktiven och förordningarna och att de stämmer överens med följande normer.
	Slagborrmaskin	Produktnummer	Teknisk dokumentation:*
DK	EU-overensstemmelseserklæring		Vi erklærer som eneansvarlige, at det beskrevne produkt er i overensstemmelse med alle gældende bestemmelser i følgende direktiver og forordninger og opfylder følgende standarder.
	Slagboremaskine	Typenummer	Tekniske bilag ved:*
N	EU-samsvarserklæring		Vi erklærer under eneansvar at de nevnte produktene er i overensstemmelse med alle relevante bestemmelser i direktivene og forordningene nedenfor og med følgende standarder.
	Slagbormaskin	Produktnummer	Teknisk dokumentasjon hos:*
FIN	EU-vaatimustenmukaisuusvakuutus		Vakuutamme täten, että mainitut tuotteet vastaavat kaikkia seuraavien direktiivien ja asetusten asiaankuuluvia vaatimuksia ja ovat seuraavien standardien vaatimusten mukaisia.
	Iskuporakone	Tuotenumero	Tekniset asiakirjat saatavana:*
E	Declaración de conformidad UE		Declaramos bajo nuestra exclusiva responsabilidad, que los productos nombrados cumplen con todas las disposiciones correspondientes de las directivas y los reglamentos mencionados a continuación y están en conformidad con las siguientes normas.
	Taladradora	Número de artículo	Documentos técnicos de:*
P	Declaração de conformidade CE		Declaramos sob nossa exclusiva responsabilidade que os produtos mencionados cumprem todas as disposições e os regulamentos indicados e estão em conformidade com as seguintes normas.
	Berbequim de percussão	Número do produto	Documentação técnica pertencente a:*
I	Dichiarazione di conformità UE		Dichiariamo sotto la nostra piena responsabilità che i prodotti indicati sono conformi a tutte le disposizioni pertinenti delle direttive e dei regolamenti elencati di seguito, nonché alle seguenti normative.
	Trapano a percussione	Codice prodotto	Documentazione tecnica presso:*
H	EU konformitási nyilatkozat		Egyedüli felelőséggel kijelentjük, hogy a megnevezett termékek megfelelnek az alábbiakban felsorolásra kerülő irányelvek és rendeletek valamennyi idevágó előírásainak és megfelelnek a következő szabványoknak.
	Útvefűró	Cikkszám	Műszaki dokumentumok megőrzési pontja:*
CZ	EU prohlášení o shodě		Prohlašujeme na výhradní zodpovědnost, že uvedený výrobek splňuje všechna příslušná ustanovení níže uvedených směrnic a nařízení a je v souladu s následujícími normami.
	Příklepová vrtačka	Objednací číslo	Technické podklady u:*
TR	AB Uygunluk beyanı		Tek sorumlu olarak, tanınlan ürünün aşağıdaki yönetmelik ve direktiflerin geçerli bütün hükümlerine ve aşağıdaki standartlara uygun olduğunu beyan ederiz.
	Darbeli matkap	Ürün kodu	Teknik belgelerin bulunduğu yer:*
PL	Deklaracja zgodności UE		Oświadczamy z pełną odpowiedzialnością, że niniejsze produkty odpowiadają wszystkim wymaganiom poniżej wyszczególnionych dyrektyw i rozporządzeń, oraz że są zgodne z następującymi normami.
	Wiertarka udarowa	Numer katalogowy	Dokumentacja techniczna:*
RU	Заявление о соответствии ЕС		Мы заявляем под нашу единоличную ответственность, что названные продукты соответствуют всем действующим предписаниям нижеуказанных директив и распоряжений, а также нижеуказанным норм.
	Ударная дрель	Товарный номер	Техническая документация хранится у:*
UA	Заява про відповідність ЄС		Мизявляємо під нашу одноособову відповідальність, що названі вироби відповідають усім чинним положенням нижчеозначених директив і розпоряджень, а також нижчеозначеним нормам.
	Ударний дріль	Товарний номер	Технічна документація зберігається у:*

GR	Δήλωση πιστότητας ΕΕ		Δηλώνουμε με αποκλειστική μας ευθύνη, ότι τα αναφερόμενα προϊόντα αντιστοιχούν σε όλες τις σχετικές διατάξεις των πιο κάτω αναφερόμενων οδηγιών και κανονισμών και ταυτίζονται με τα ακόλουθα πρότυπα.
	Κρουστικό δράπανο	Αριθμός ευρετηρίου	Τεχνικά έγγραφα στη:*
RO	Declarație de conformitate UE		Declarăm pe proprie răspundere că produsele menționate corespund tuturor dispozițiilor relevante ale directivei și reglementărilor enumerate în cele ce urmează și sunt în conformitate cu următoarele standarde.
	Mașină de găurit cu percuție	Număr de identificare	Documentație tehnică la:*
BG	ЕС декларация за съответствие		С пълна отговорност ние декларираме, че посочените продукти отговарят на всички валидни изисквания на директивите и разпоредбите по-долу и съответства на следните стандарти.
	Ударна бормашина	Каталожен номер	Техническа документация при:*
SK	EU vyhlásenie o zhode		Vyhlasujeme na výhradnú zodpovednosť, že uvedený výrobok spĺňa všetky príslušné ustanovenia nižšie uvedených smerníc a nariadení a je v súlade s nasledujúcimi normami.
	Príklepová vrtačka	Vecné číslo	Technické podklady má spoločnosť:*
HR	EU izjava o sukladnosti		Pod punom odgovornošću izjavljujemo da navedeni proizvodi odgovaraju svim relevantnim odredbama direktiva i propisima navedenima u nastavku i da su sukladni sa sljedećim normama.
	Udarana bušilica	Kataloški broj	Tehnička dokumentacija se može dobiti kod:*
SRB	EU-izjava o usaglašenosti		Na sopstvenu odgovornost izjavljujemo, da navedeni proizvodi odgovaraju svim dotičnim odredbama naknadno navedenih smernica u uredaba i da su u skladu sa sledećim standardima.
	Vibraciona bušilica	Broj predmeta	Tehnička dokumentacija kod:*
SLO	Izjava o skladnosti ES		Izjavljamo pod izključno odgovornostjo, da je omenjen izdelek v skladu z vsemi relevantnimi določili direktiv in uredb ter ustreza naslednjim standardom.
	Vibracijski vrtalnik	Številka artikla	Tehnična dokumentacija pri:*
EST	EL-vastavusdeklaratsioon		Kinnitame ainuvastutajatena, et nimetatud tooted vastavad järgnevalt loetletud direktiivide ja määruste kõiki dele asjaomastele nõuetele ja on kooskõlas järgmistele normidega.
	Löökpuurtrell	Tootenumber	Tehnilised dokumendid saadaval:*
LV	Deklarācija par atbilstību EK standartiem		Mēs ar pilnu atbildību paziņojam, ka šeit aplūkoti izstrādājumi atbilst visiem tālāk minētajās direktīvās un rīkojumos ietvertajām saistošajām nostādņēm, kā arī sekojošiem standartiem.
	Triecienurbjmašina	Izstrādājuma numurs	Tehniškā dokumentācija no:*
LT	ES atitikties deklaracija		Atsakingai pareiškiame, kad išvardyti gaminiai atitinka visus privalomus žemiau nurodytų direktyvų ir reglamentų reikalavimus ir šiuos standartus.
	Smūginis gręžtuvas	Gaminio numeris	Techninė dokumentacija saugoma:*
MK	EU-Изјава за сообразност		Со целосна одговорност изјавуваме, дека опишаните производи се во согласност со сите релевантни одредби на следните регулативи и прописи и се во согласност со следните норми.
	Вибрациска дупчалка	Број на артикл	Техничка документација кај:*
AL	EU Deklarata e konformitetit		Ne deklarojmë me përgjegjësinë tonë të vetme se produktet e paraqitura janë në përputhje me të gjitha dispozitat e zbatueshme të direktivave dhe rregulloreve të listuara më poshtë dhe janë në përputhje me standardet si më poshtë.
	Trapano me goditje	Numri i nenit	Dosja teknike në:*
6745	HD1*6745**		2006/42/EC 2014/30/EU 2011/65/EU
			EN 60745-1:2009 + A11:2010 EN 60745-2-1:2010
			EN 55014-1:2006 + A1:2009 + A2:2011 EN 55014-2:2015 EN 61000-3-2:2014 EN 61000-3-3:2013
			EN 50581:2012
			SKIL *Skil BV Konijnenberg 62 4825 BD Breda The Netherlands
			Olaf Dijkgraaf Approval Manager
			
			Skil BV, Konijnenberg 62, 4825 BD Breda, NL 24.09.2018

1

6745

1050
Watt

2,6 kg

2^{speed}

1
n₀
0-1200
/min

2
n₀
0-3200
/min

2-
13 mm

0-20400
p/min

0-54400
p/min

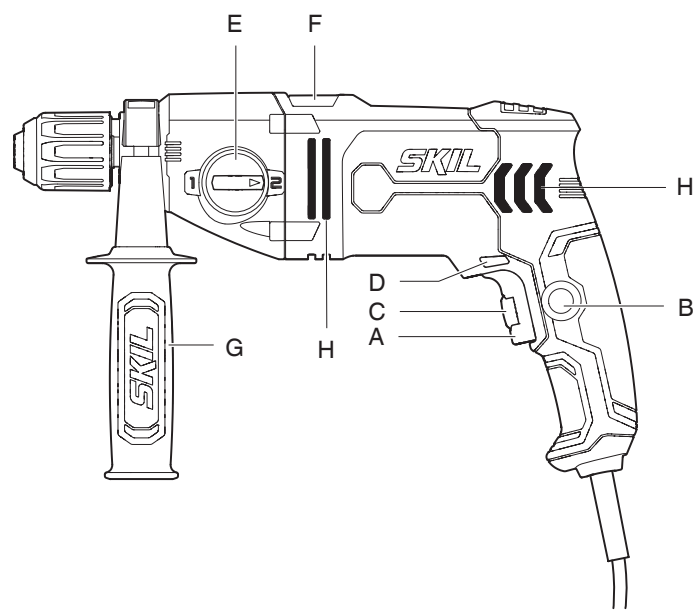
Fe
13mm

20mm

50mm

220
-
240
V~
50-60 Hz

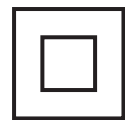
2



3

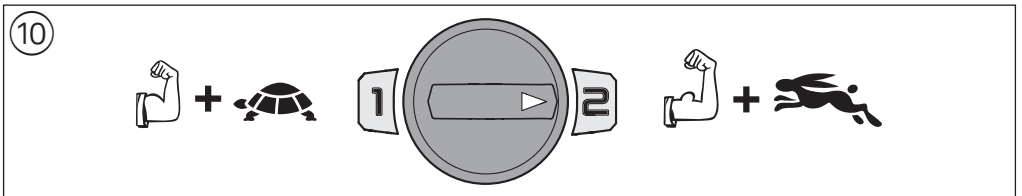
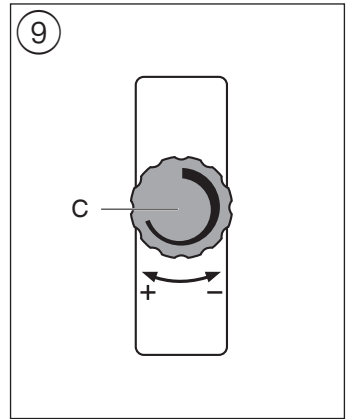
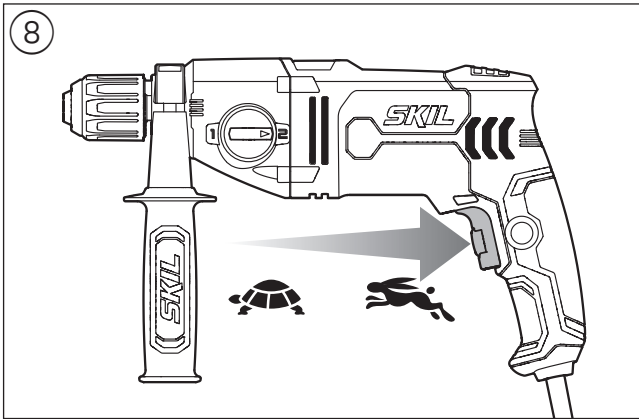
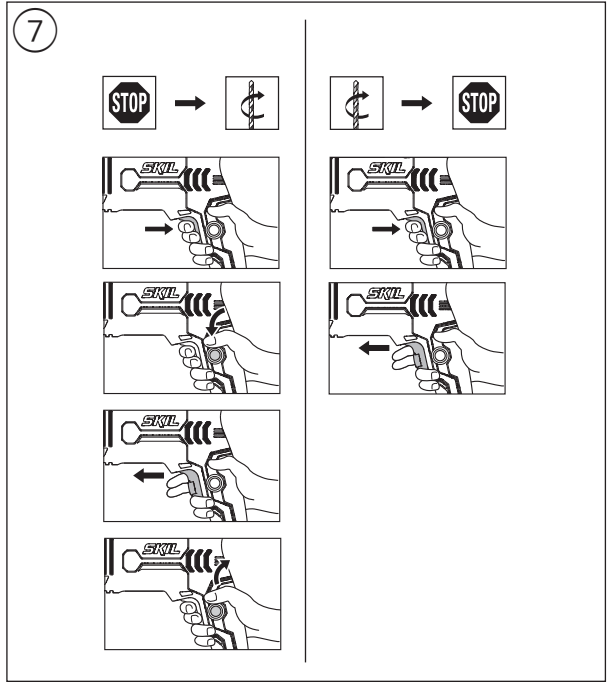
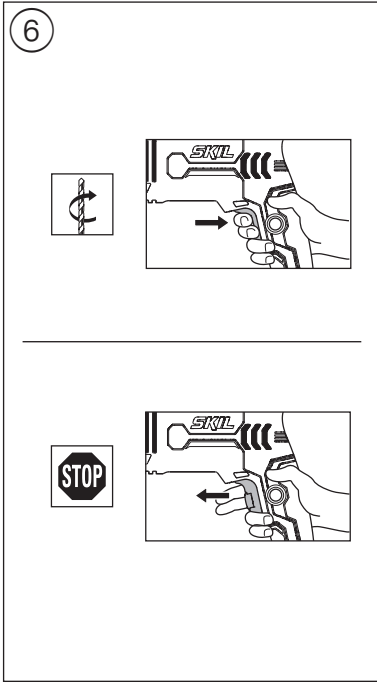


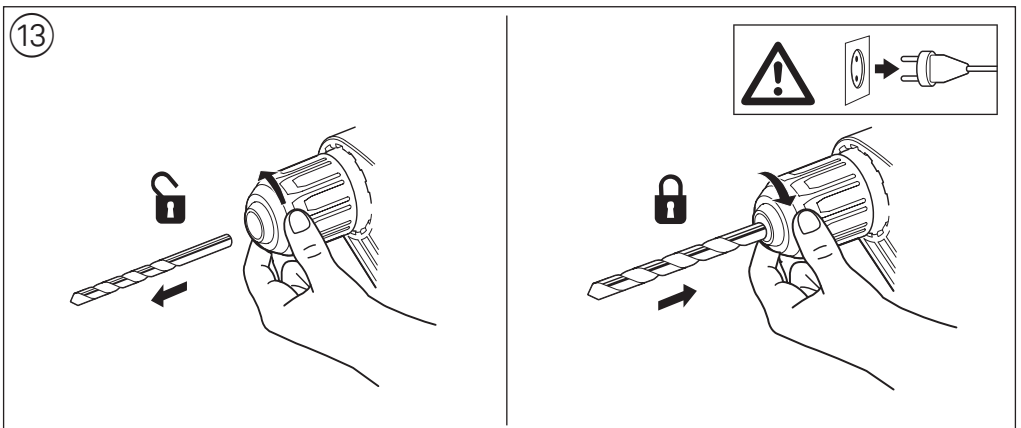
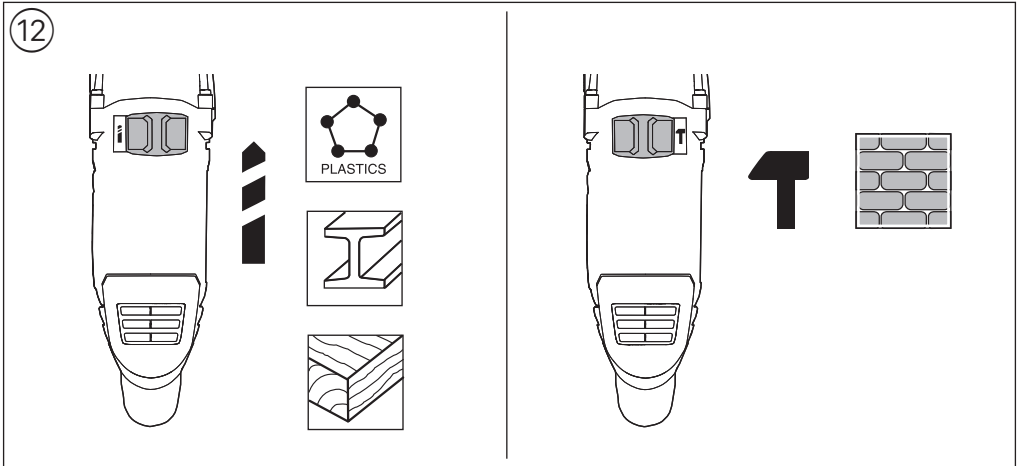
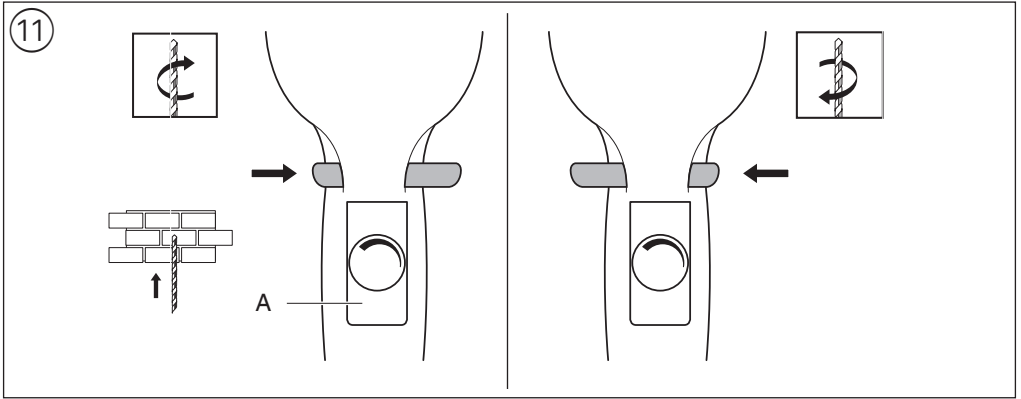
4



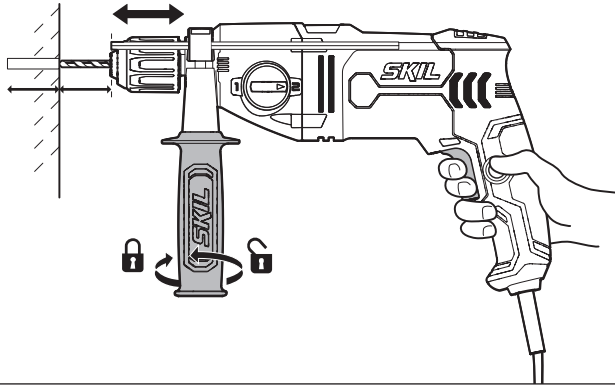
5



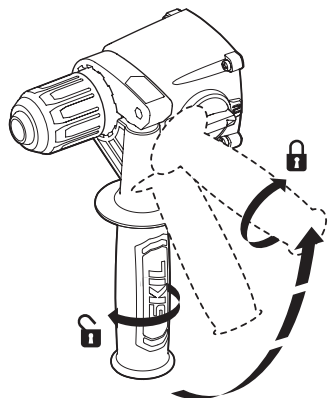
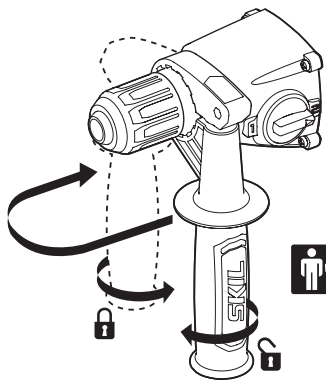
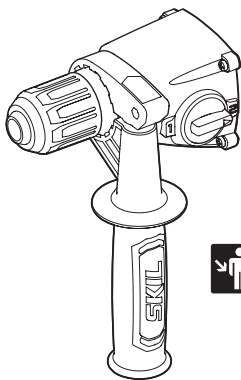
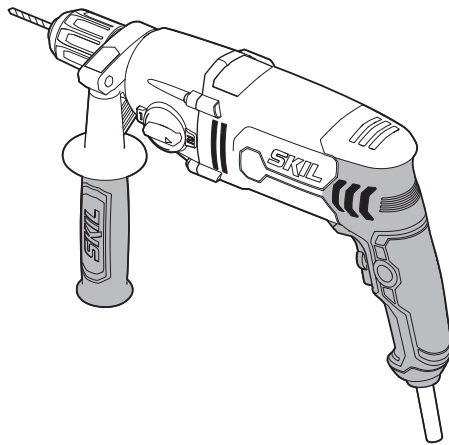


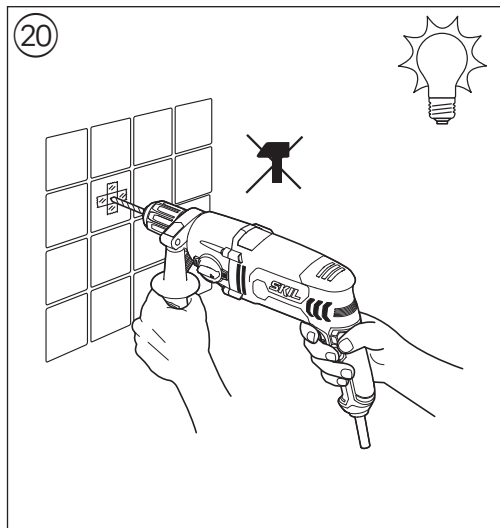
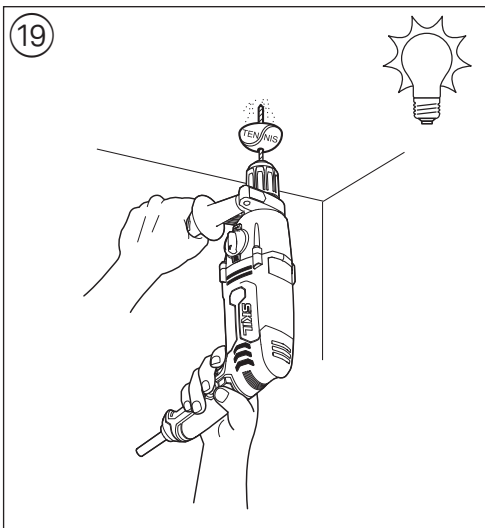
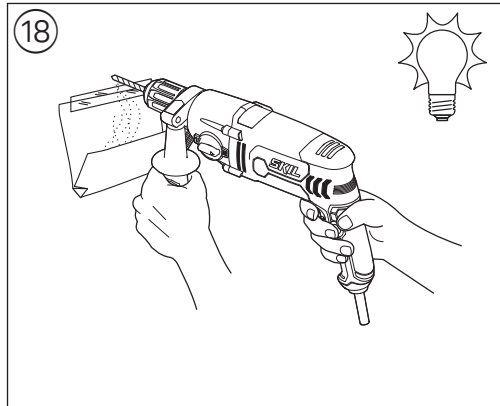
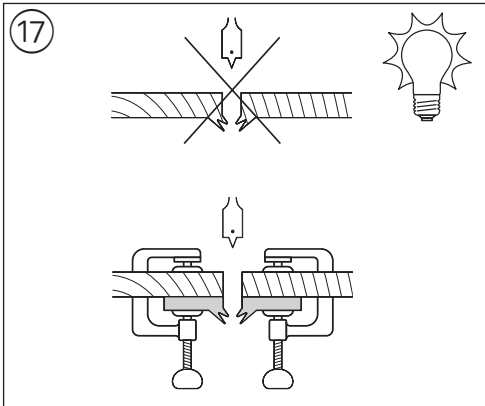
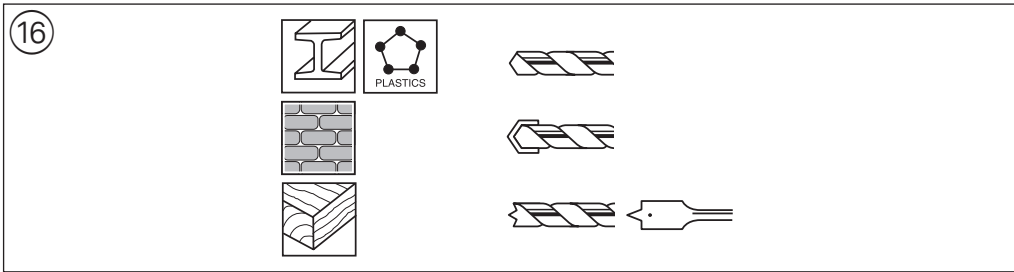


14



15





Impact drill

6745

INTRODUCTION

- This tool is intended for impact drilling in brick as well as for drilling in wood, metal, ceramic and plastic
- This tool is not intended for professional use
- Read and save this instruction manual ③

TECHNICAL DATA ①

TOOL ELEMENTS ②

- A Switch for on/off and speed control
- B Button for switch locking
- C Wheel for maximum speed control
- D Switch for changing direction of rotation
- E Gear selector
- F Switch for selecting drilling function
- G Auxiliary handle
- H Ventilation slots

SAFETY

GENERAL POWER TOOL SAFETY WARNINGS

⚠ WARNING Read all safety warnings, instructions, illustrations and specifications provided with this power tool. Failure to follow all instructions listed below may result in electric shock, fire and/or serious injury.

Save all warnings and instructions for future reference.

The term "power tool" in the warnings refers to your mains-operated (corded) power tool or battery-operated (cordless) power tool.

1) WORK AREA SAFETY

- a) **Keep work area clean and well lit.** Cluttered or dark areas invite accidents.
- b) **Do not operate power tools in explosive atmospheres, such as in the presence of flammable liquids, gases or dust.** Power tools create sparks which may ignite the dust or fumes.
- c) **Keep children and bystanders away while operating a power tool.** Distractions can cause you to lose control.

2) ELECTRICAL SAFETY

- a) **Power tool plugs must match the outlet. Never modify the plug in any way. Do not use any adapter plugs with earthed (grounded) power tools.** Unmodified plugs and matching outlets will reduce risk of electric shock.
- b) **Avoid body contact with earthed or grounded surfaces such as pipes, radiators, ranges and refrigerators.** There is an increased risk of electric shock if your body is earthed or grounded.
- c) **Do not expose power tools to rain or wet conditions.** Water entering a power tool will increase the risk of electric shock.
- d) **Do not abuse the cord. Never use the cord for carrying, pulling or unplugging the power tool. Keep cord away from heat, oil, sharp edges or moving**

parts. Damaged or entangled cords increase the risk of electric shock.

- e) **When operating a power tool outdoors, use an extension cord suitable for outdoor use.** Use of a cord suitable for outdoor use reduces the risk of electric shock.
- f) **If operating a power tool in a damp location is unavoidable, use a residual current device (RCD) protected supply.** Use of an RCD reduces the risk of electric shock.

3) PERSONAL SAFETY

- a) **Stay alert, watch what you are doing and use common sense when operating a power tool. Do not use a power tool while you are tired or under the influence of drugs, alcohol or medication.** A moment of inattention while operating power tools may result in serious personal injury.
 - b) **Use personal protective equipment. Always wear eye protection.** Protective equipment such as a dust mask, non-skid safety shoes, hard hat, or hearing protection used for appropriate conditions will reduce personal injuries.
 - c) **Prevent unintentional starting. Ensure the switch is in the off-position before connecting to power source and/or battery pack, picking up or carrying the tool.** Carrying power tools with your finger on the switch or energising power tools that have the switch on invites accidents.
 - d) **Remove any adjusting key or wrench before turning the power tool on.** A wrench or a key left attached to a rotating part of the power tool may result in personal injury.
 - e) **Do not overreach. Keep proper footing and balance at all times.** This enables better control of the power tool in unexpected situations.
 - f) **Dress properly. Do not wear loose clothing or jewellery. Keep your hair and clothing away from moving parts.** Loose clothes, jewellery or long hair can be caught in moving parts.
 - g) **If devices are provided for the connection of dust extraction and collection facilities, ensure these are connected and properly used.** Use of dust collection can reduce dust-related hazards.
 - h) **Do not let familiarity gained from frequent use of tools allow you to become complacent and ignore tool safety principles.** A careless action can cause severe injury within a fraction of a second.
- #### 4) POWER TOOL USE AND CARE
- a) **Do not force the power tool. Use the correct power tool for your application.** The correct power tool will do the job better and safer at the rate for which it was designed.
 - b) **Do not use the power tool if the switch does not turn it on and off.** Any power tool that cannot be controlled with the switch is dangerous and must be repaired.
 - c) **Disconnect the plug from the power source and/or remove the battery pack, if detachable, from the power tool before making any adjustments, changing accessories, or storing power tools.** Such preventive safety measures reduce the risk of starting the power tool accidentally.
 - d) **Store idle power tools out of the reach of children and do not allow persons unfamiliar with the power**

tool or these instructions to operate the power tool.

Power tools are dangerous in the hands of untrained users.

- e) **Maintain power tools and accessories. Check for misalignment or binding of moving parts, breakage of parts and any other condition that may affect the power tool's operation. If damaged, have the power tool repaired before use.** Many accidents are caused by poorly maintained power tools.
 - f) **Keep cutting tools sharp and clean.** Properly maintained cutting tools with sharp cutting edges are less likely to bind and are easier to control.
 - g) **Use the power tool, accessories and tool bits etc., in accordance with these instructions, taking into account the working conditions and the work to be performed.** Use of the power tool for operations different from those intended could result in a hazardous situation.
 - h) **Keep handles and grasping surfaces dry, clean and free from oil and grease.** Slippery handles and grasping surfaces do not allow for safe handling and control of the tool in unexpected situations.
- 5) SERVICE**
- a) **Have your power tool serviced by a qualified repair person using only identical replacement parts.** This will ensure that the safety of the power tool is maintained.

SAFETY INSTRUCTIONS FOR IMPACT DRILLS

1) SAFETY INSTRUCTIONS FOR ALL OPERATIONS

- a) **Wear ear protectors when impact drilling.** Exposure to noise can cause hearing loss.
- b) **Use the auxiliary handle(s).** Loss of control can cause personal injury.
- c) **Hold the power tool by insulated gripping surfaces, when performing an operation where the cutting accessory or fasteners may contact hidden wiring or its own cord.** Cutting accessory or fasteners contacting a "live" wire may make exposed metal parts of the power tool "live" and could give the operator an electric shock.

2) SAFETY INSTRUCTIONS WHEN USING LONG DRILL BITS

- a) **Never operate at higher speed than the maximum speed rating of the drill bit.** At higher speeds, the bit is likely to bend if allowed to rotate freely without contacting the workpiece, resulting in personal injury.
- b) **Always start drilling at low speed and with the bit tip in contact with the workpiece.** At higher speeds, the bit is likely to bend if allowed to rotate freely without contacting the workpiece, resulting in personal injury.
- c) **Apply pressure only in direct line with the bit and do not apply excessive pressure.** Bits can bend causing breakage or loss of control, resulting in personal injury.

GENERAL

- This tool should not be used by people under the age of 16 years
- **Always disconnect plug from power source before making any adjustment or changing any accessory**
- Use completely unrolled and safe extension cords with a capacity of 16 Amps (U.K. 13 Amps)
- **Do not work materials containing asbestos** (asbestos is considered carcinogenic)
- Dust from material such as paint containing lead, some wood species, minerals and metal may be harmful

(contact with or inhalation of the dust may cause allergic reactions and/or respiratory diseases to the operator or bystanders); **wear a dust mask and work with a dust extraction device when connectable**

- Certain kinds of dust are classified as carcinogenic (such as oak and beech dust) especially in conjunction with additives for wood conditioning; **wear a dust mask and work with a dust extraction device when connectable**
- Follow the dust-related national requirements for the materials you want to work with

BEFORE USE

- Always check that the supply voltage is the same as the voltage indicated on the nameplate of the tool
- Avoid damage that can be caused by screws, nails and other elements in your workpiece; remove them before you start working
- **Use suitable detectors to find hidden utility lines or call the local utility company for assistance** (contact with electric lines can lead to fire or electrical shock; damaging a gas line can result in an explosion; penetrating a water pipe will cause property damage or an electrical shock)
- **Secure the workpiece** (a workpiece clamped with clamping devices or in a vice is held more securely than by hand)
- Never use the tool when the cord is damaged; it must be replaced by a specially prepared cord available through the service organization.

ACCESSORIES

- SKIL can assure flawless functioning of the tool only when original accessories are used
- Use only accessories with an allowable speed matching at least the highest no-load speed of the tool

DURING USE

- Always keep the cord away from moving parts of the tool
- If the drill bit becomes unexpectedly jammed (causing a sudden, dangerous reaction), immediately switch off the tool
- Be aware of the forces that occur as a result of jamming (especially when drilling metals); **always use auxiliary handle G** ② and take a secure stance
- In case of electrical or mechanical malfunction, immediately switch off the tool and disconnect the plug
- If the cord is damaged or cut through while working, do not touch the cord, but immediately disconnect the plug

AFTER USE

- When you put away the tool, switch off the motor and ensure that all moving parts have come to a complete standstill

EXPLANATION OF SYMBOLS ON TOOL

- ③ Read the instruction manual before use
- ④ Double insulation (no earth wire required)
- ⑤ Do not dispose of the tool together with household waste material

WHEN CONNECTING NEW 3-PIN PLUG (U.K. ONLY):

- Do not connect the blue (= neutral) or brown (= live) wire in the cord of this tool to the earth terminal of the plug
- If for any reason the old plug is cut off the cord of this tool, it must be disposed of safely and not left unattended

USE

- On/off ⑥
- Switch locking for continuous use ⑦
- Speed control for smooth starting ⑧

- Maximum speed control ⑨
With wheel C the maximum speed can be adjusted from low to high
 - switch on the tool
 - lock the switch
 - turn wheel C to select maximum speed
- Mechanical gear selection ⑩
 - set selector E to desired speed

! actuate the gear selector while tool is running slowly

1 = LOW SPEED

 - high torque
 - for drilling large diameters
 - for tapping thread

2 = HIGH SPEED

 - lower torque
 - for drilling small diameters
- Changing direction of rotation ⑪
 - when not properly set in left/right position, switch A ② cannot be activated

! change direction of rotation only when tool is at a complete standstill
- Normal drilling versus impact drilling ⑫
 - ! select drilling function only when tool is switched off and plug is disconnected**
- Changing bits ⑬
 - insert the bit as deep as possible in the chuck

! do not use bits with a damaged shank
- Adjusting drilling depth ⑭
- Holding and guiding the tool ⑮
 - **always use auxiliary handle G ②** (can be adjusted as illustrated)

! while working, always hold the tool at the grey-coloured grip area(s)

 - keep the ventilation slots uncovered
 - do not apply too much pressure on the tool; let the tool do the work for you

APPLICATION ADVICE

- Use the appropriate bits ⑯
 - ! only use sharp bits**
- For drilling in concrete or stone a steady pressure on the drill is required
- When drilling ferrous metals
 - pre-drill a smaller hole, when a large hole is required
 - lubricate drill bit occasionally with oil
- Splinterfree drilling in wood ⑰
- Dustfree drilling in walls ⑱
- Dustfree drilling in ceilings ⑲
- Drilling in tiles without skidding ⑳
- For more information see www.skil.com

MAINTENANCE / SERVICE

- This tool is not intended for professional use
- Always keep tool and cord clean (especially ventilation slots H ②)
 - ! disconnect the plug before cleaning**
- If the tool should fail despite the care taken in manufacturing and testing procedures, repair should be carried out by an after-sales service centre for SKIL power tools
 - send the tool **undismantled** together with proof of purchase to your dealer or the nearest SKIL service

station (addresses as well as the service diagram of the tool are listed on www.skil.com)

- Be aware that damage due to overload or improper handling of the tool will be excluded from the warranty (for the SKIL warranty conditions see www.skil.com or ask your dealer)

ENVIRONMENT

- **Do not dispose of electric tools, accessories and packaging together with household waste material** (only for EU countries)
 - in observance of European Directive 2012/19/EC on waste of electric and electronic equipment and its implementation in accordance with national law, electric tools that have reached the end of their life must be collected separately and returned to an environmentally compatible recycling facility
 - symbol ⑤ will remind you of this when the need for disposing occurs

NOISE / VIBRATION

- Measured in accordance with EN 60745 the sound pressure level of this tool is 94.2 dB(A) and the sound power level 105.2 dB(A) (uncertainty K = 3 dB), and the vibration * (triax vector sum; uncertainty K = 1.5 m/s²)
 - * when drilling in metal < 2.5 m/s²
 - * when impact drilling in concrete 11.1 m/s²
- The vibration emission level has been measured in accordance with a standardised test given in EN 60745; it may be used to compare one tool with another and as a preliminary assessment of exposure to vibration when using the tool for the applications mentioned
 - using the tool for different applications, or with different or poorly maintained accessories, may significantly **increase** the exposure level
 - the times when the tool is switched off or when it is running but not actually doing the job, may significantly **reduce** the exposure level

! protect yourself against the effects of vibration by maintaining the tool and its accessories, keeping your hands warm, and organizing your work patterns

F

Perceuse à percussion

6745

INTRODUCTION

- Cet outil est conçu pour les travaux de perçage de percussion dans la brique ainsi que le perçage dans le bois, le métal, la céramique et les matières plastiques
- Cet outil n'est pas conçu pour un usage professionnel
- Lisez et conservez ce manuel d'instruction ③

CARACTERISTIQUES TECHNIQUES ①

ELEMENTS DE L'OUTIL ②

- A** Interrupteur de marche/arrêt et réglage de vitesse
- B** Bouton de blocage de l'interrupteur
- C** Molette de réglage de la vitesse maximum

- D Commutateur pour inverser le sens de rotation
- E Commutateur de vitesse
- F Commutateur pour sélectionner la fonction de perçage
- G Poignée auxiliaire
- H Fentes de ventilation

SECURITE

AVERTISSEMENTS DE SECURITE GENERAUX POUR L'OUTIL ELECTRIQUE

AVERTISSEMENT Lisez tous les avertissements de sécurité, toutes les instructions, illustrations et caractéristiques fournies avec cet outil électrique. Le non-respect du suivi de toutes les instructions reprises ci-dessous peut provoquer un électrochoc, un incendie et/ou des blessures graves.

Conservez tous les avertissements et toutes les instructions pour pouvoir s'y reporter ultérieurement.

Le terme "outil électrique" dans les avertissements se rapporte à des outils électriques raccordés au secteur (avec câble de raccordement) et à des outils électriques à batterie (sans câble de raccordement).

1) SECURITE DE LA ZONE DE TRAVAIL

- a) **Maintenez l'endroit de travail propre et bien éclairé.** Un lieu de travail en désordre ou mal éclairé augmente le risque d'accidents.
- b) **N'utilisez pas l'outil électrique dans un environnement présentant des risques d'explosion et où se trouvent des liquides, des gaz ou poussières inflammables.** Les outils électriques génèrent des étincelles risquant d'enflammer les poussières ou les vapeurs.
- c) **Tenez les enfants et autres personnes éloignés durant l'utilisation de l'outil électrique.** En cas d'inattention vous risquez de perdre le contrôle sur l'outil électrique.

2) SECURITE RELATIVE AU SYSTEME ELECTRIQUE

- a) **La fiche de secteur de l'outil électrique doit être appropriée à la prise de courant. Ne modifiez en aucun cas la fiche. N'utilisez pas de fiches d'adaptateur avec des outils électriques avec mise à la terre.** Les fiches non modifiées et les prises de courant appropriées réduisent le risque de choc électrique.
- b) **Évitez le contact physique avec des surfaces mises à la terre telles que tuyaux, radiateurs, fours et réfrigérateurs.** Il y a un risque élevé de choc électrique au cas où votre corps serait relié à la terre.
- c) **N'exposez pas l'outil électrique à la pluie ou à l'humidité.** La pénétration d'eau dans un outil électrique augmente le risque d'un choc électrique.
- d) **N'utilisez pas le câble à d'autres fins que celles prévues, n'utilisez pas le câble pour porter l'outil électrique ou pour l'accrocher ou encore pour le débrancher de la prise de courant. Maintenez le câble éloigné des sources de chaleur, des parties grasses, des bords tranchants ou des parties de l'outil électrique en rotation.** Un câble endommagé ou torsadé augmente le risque d'un choc électrique.

- e) **Au cas où vous utiliseriez l'outil électrique à l'extérieur, utilisez une rallonge autorisée homologuée pour les applications extérieures.** L'utilisation d'une rallonge électrique homologuée pour les applications extérieures réduit le risque d'un choc électrique.
 - f) **Si l'usage d'un outil dans un emplacement humide est inévitable, utilisez un disjoncteur de fuite à la terre.** L'utilisation d'un disjoncteur de fuite à la terre réduit le risque de choc électrique.
- ### 3) SECURITE DES PERSONNES
- a) **Restez vigilant, surveillez ce que vous faites. Faites preuve de bon sens en utilisant l'outil électrique. N'utilisez pas l'outil électrique lorsque vous êtes fatigué ou après avoir consommé de l'alcool, des drogues ou avoir pris des médicaments.** Un moment d'inattention lors de l'utilisation de l'outil électrique peut entraîner de graves blessures sur les personnes.
 - b) **Portez des équipements de protection. Portez toujours des lunettes de protection.** Le fait de porter des équipements de protection personnels tels que masque anti-poussières, chaussures de sécurité antidérapantes, casque de protection ou protection acoustique suivant le travail à effectuer, réduit le risque de blessures.
 - c) **Évitez tout démarrage intempestif. S'assurez que l'interrupteur est en position arrêté avant de brancher l'outil au secteur et/ou au bloc de batteries, de le ramasser ou de le porter.** Porter les outils en ayant le doigt sur l'interrupteur ou brancher des outils dont l'interrupteur est en position marche est source d'accidents.
 - d) **Enlevez tout outil de réglage ou toute clé avant de mettre l'outil électrique en fonctionnement.** Une clé ou un outil se trouvant sur une partie en rotation peut causer des blessures.
 - e) **Ne surestimez pas vos capacités. Veillez à garder toujours une position stable et équilibrée.** Ceci vous permet de mieux contrôler l'outil électrique dans des situations inattendues.
 - f) **Portez des vêtements appropriés. Ne portez pas de vêtements amples ni de bijoux. Gardez les cheveux et les vêtements à distance des parties en mouvement.** Des vêtements amples, des bijoux ou des cheveux longs peuvent être happés par des pièces en mouvement.
 - g) **Si des dispositifs servant à aspirer ou à recueillir les poussières doivent être utilisés, vérifiez que ceux-ci soient effectivement raccordés et qu'ils sont correctement utilisés.** L'utilisation des collecteurs de poussière réduit les dangers dus aux poussières.
 - h) **Restez vigilant et ne pas négligez les principes de sécurité de l'outil sous prétexte que vous avez l'habitude de l'utiliser.** Une fraction de seconde d'inattention peut provoquer une blessure grave.
- ### 4) UTILISATION ET EMPLOI SOIGNEUX DE L'OUTIL ELECTRIQUE
- a) **Ne surchargez pas l'outil électrique. Utilisez l'outil électrique approprié au travail à effectuer.** Avec l'outil électrique approprié, vous travaillerez mieux et avec plus de sécurité à la vitesse pour laquelle il est prévu.
 - b) **N'utilisez pas un outil électrique dont l'interrupteur est défectueux.** Un outil électrique qui ne peut plus être

mis en ou hors fonctionnement est dangereux et doit être réparé.

- c) **Débranchez la fiche de la source d'alimentation et/ ou enlevez le bloc de batteries, s'il est amovible, avant tout réglage, changement d'accessoires ou avant de ranger l'outil électrique.** De telles mesures de sécurité préventives réduisent le risque de démarrage accidentel de l'outil électrique.
 - d) **Gardez les outils électriques non utilisés hors de portée des enfants. Ne permettez pas l'utilisation de l'outil électrique à des personnes qui ne se sont pas familiarisées avec celui-ci ou qui n'ont pas lu ces instructions.** Les outils électriques sont dangereux lorsqu'ils sont utilisés par des personnes non initiées.
 - e) **Observez la maintenance des outils électriques et des accessoires. Vérifiez que les parties en mouvement fonctionnent correctement et qu'elles ne soient pas coincées, et contrôlez si des parties sont cassées ou endommagées de telle sorte que le bon fonctionnement de l'outil électrique s'en trouve entravé. Faites réparer les parties endommagées avant d'utiliser l'outil électrique.** De nombreux accidents sont dus à des outils électriques mal entretenus.
 - f) **Maintenez les outils de coupe aiguisés et propres.** Des outils soigneusement entretenus avec des bords tranchants bien aiguisés se coincent moins souvent et peuvent être guidés plus facilement.
 - g) **Utilisez l'outil électrique, les accessoires, les outils à monter etc. conformément à ces instructions. Tenez compte également des conditions de travail et du travail à effectuer.** L'utilisation de l'outil électrique à d'autres fins que celles prévues peut entraîner des situations dangereuses.
 - h) **Il faut que les poignées et les surfaces de préhension restent sèches, propres et dépourvues d'huiles et de graisses.** Des poignées et des surfaces de préhension glissantes rendent impossibles la manipulation et le contrôle en toute sécurité de l'outil dans les situations inattendues.
- 5) SERVICE**
- a) **Ne faites réparer votre outil électrique que par un personnel qualifié et seulement avec des pièces de rechange d'origine.** Ceci permet d'assurer la sécurité de l'outil électrique.

INSTRUCTIONS DE SECURITE POUR PERCEUSES A PERCUSSION

1) CONSIGNES DE SÉCURITÉ POUR TOUTES LES OPÉRATIONS

- a) **Portez des protections auditives lorsque vous utilisez des perceuses à percussion.** L'exposition au bruit peut entraîner la perte d'audition.
- b) **Utilisez la (les) poigné(e)s auxiliaire(s).** La perte de contrôle peut entraîner des blessures.
- c) **Ne tenez l'outil à moteur qu'aux poignées isolées, si, pendant les travaux, l'accessoire de coupe ou les éléments d'assemblage risquent de toucher des câbles électriques cachés ou leur propre câble.** Couper un accessoire ou des éléments d'assemblage touchant un fil « sous tension » peut mettre « sous tension » les parties métalliques exposées, ce qui pourrait électrocuter l'utilisateur.

2) INSTRUCTIONS DE SÉCURITÉ POUR L'UTILISATION DE FORETS LONGS

- a) **N'utilisez jamais une vitesse supérieure à la vitesse maximale du foret.** À des vitesses plus élevées, le foret risque de se plier s'il tourne librement sans entrer en contact avec la pièce à travailler, ce qui peut provoquer une blessure corporelle.
- b) **Commencez toujours par forer à faible vitesse et avec l'embout du foret en contact avec la pièce à travailler.** À des vitesses plus élevées, le foret risque de se plier s'il tourne librement sans entrer en contact avec la pièce à travailler, ce qui peut provoquer une blessure corporelle.
- c) **Exercez une pression en ligne directe avec le foret et n'exercez pas une pression excessive.** Les forets peuvent se plier, entraînant une casse ou une perte de contrôle, ce qui peut provoquer une blessure corporelle.

GENERALITES

- Cet outil ne doit pas être utilisé par des personnes de moins de 16 ans
- **Débranchez toujours l'outil avant tout réglage ou changement d'accessoire**
- Utilisez un câble de prolongement complètement déroulé et de bonne qualité d'une capacité de 16 A
- **Ne travaillez pas de matériaux contenant de l'amiante** (l'amiante est considéré comme étant cancérigène)
- La poussière de matériaux, tels que la peinture contenant du plomb, certaines espèces de bois, certains minéraux et différents métaux, peut être nocive (le contact avec la poussière ou son inhalation peut provoquer des réactions allergiques et/ou des maladies respiratoires chez l'opérateur ou des personnes se trouvant à proximité); **portez un masque antipoussières et travaillez avec un appareil de dépolluissage lorsqu'il est possible d'en connecter un**
- Certains types de poussières sont classifiés comme étant cancérigènes (tels que la poussière de chêne ou de hêtre), en particulier en combinaison avec des additifs de traitement du bois; **portez un masque antipoussières et travaillez avec un appareil de dépolluissage lorsqu'il est possible d'en connecter un**
- Suivez les directives nationales relatives au dépolluissage pour les matériaux à travailler

AVANT L'USAGE

- Contrôlez toujours si la tension secteur correspond à la tension indiquée sur la plaquette signalétique de l'outil
- Faites attention aux vis, clous ou autres éléments qui pourraient se trouver dans la pièce à travailler et qui risqueraient d'endommager très fortement votre outil; enlevez-les avant de commencer le travail
- **Utilisez des détecteurs appropriés afin de localiser la présence de conduites électriques ou bien s'adresser à la société locale de distribution** (un contact avec des lignes électriques peut provoquer un incendie et une décharge électrique; le fait d'endommager une conduite de gaz peut entraîner une explosion; le fait d'endommager une conduite d'eau peut entraîner des dégâts matériels ou causer une décharge électrique)
- **Fixez solidement la pièce à travailler** (une pièce fixée à l'aide de dispositifs de fixation est davantage assurée que si elle était tenue à la main)
- N'utilisez jamais l'outil si le cordon d'alimentation est endommagé, il doit être remplacé par un cordon

spécialement préparé disponible par le biais du service d'assistance.

ACCESSOIRES

- SKIL ne peut se porter garant du bon fonctionnement de cet outil que s'il a été utilisé avec les accessoires d'origine
- La vitesse admissible des accessoires utilisés doit être au moins aussi élevée que la vitesse à vide maximale de l'outil

PENDANT L'USAGE

- Tenez toujours le câble éloigné des parties mobiles de l'outil
- En cas de blocage de la mèche (générant une contre-réaction violente et dangereuse), éteignez immédiatement l'outil
- Assurez-vous des forces en jeu consécutives au blocage (spécialement durant le perçage des métaux); **utilisez toujours la poignée auxiliaire G** et adoptez une position de travail stable et sûre
- En cas de dysfonctionnement électrique ou mécanique, mettez directement l'outil hors service et débranchez la fiche
- Si le câble est endommagé ou rompu pendant le travail, n'y touchez pas, mais débranchez immédiatement la prise

APRES L'USAGE

- Lorsque vous rangez votre outil, le moteur doit être coupé et les pièces mobiles complètement arrêtées

EXPLICATION DES SYMBOLES SUR L'OUTIL

- ③ Veuillez lire le mode d'emploi avant d'utiliser l'outil
- ④ Double-isolation (ne nécessite pas de mise à la terre)
- ⑤ Ne jetez pas l'outil dans les ordures ménagères

UTILISATION

- Marche/arrêt ⑥
 - Blocage de l'interrupteur pour marche continue ⑦
 - Réglage de la vitesse pour démarrage doux ⑧
 - Réglage de la vitesse maximum ⑨
- La molette C vous permet de régler la vitesse maximum de lente à rapide
- mettez en marche l'outil
 - verrouillez l'interrupteur
 - tournez la molette C pour sélectionner la vitesse maximum
- Commutateur de vitesse ⑩
 - sélectionnez la vitesse désirée avec le commutateur E
- ! actionnez le commutateur de vitesse lorsque l'outil fonctionne lentement**

1 = VITESSE LENTE

- couple élevé
- pour percer de larges diamètres
- pour fileter

2 = VITESSE RAPIDE

- couple bas
- pour percer de petits diamètres

- Inversion du sens de rotation ⑪
- quand l'outil n'est pas réglé exactement sur la position gauche/droite, l'interrupteur A ② ne peut être mis en marche

! marchez uniquement le sens de rotation lorsque l'outil est à l'arrêt complet

- Perçage normal à la fonction de perçage de percussion ⑫

! sélectionnez la fonction de perçage uniquement lorsque l'outil n'est pas sous tension et la fiche est débranchée

- Changement des embouts ⑬
- enfoncez l'embout le plus profondément possible dans le mandrin

! ne pas utiliser des embouts avec une queue endommagée

- Réglage de la profondeur de perçage ⑭
- Tenue et guidage de l'outil ⑮
- **utilisez toujours la poignée auxiliaire G** (peut être réglée comme illustré)

! lorsque vous travaillez, tenez toujours l'outil par la(les) zone(s) de couleur grise

- tenez les fentes de ventilation dégagées
- ne pas appuyez trop fortement sur l'outil; laissez l'outil travailler pour vous

CONSEILS D'UTILISATION

- Utilisez les embouts appropriés ⑯
- ! utilisez seulement des embouts bien affûtés**
- Pour percer dans le béton ou la maçonnerie, une pression ferme sur l'outil est requise
- Quand vous percez des métaux ferreux
- pour faire un gros trou, faites un avant-trou plus petit
- lubrifiez le foret de temps en temps
- Perçage sans éclat en bois ⑰
- Perçage sans poussières dans les murs ⑱
- Perçage sans poussières dans les plafonds ⑲
- Perçage des carreaux sans glisser ⑳
- Pour plus d'informations, voir www.skil.com

ENTRETIEN / SERVICE APRES-VENTE

- Cet outil n'est pas conçu pour un usage professionnel
- Gardez toujours votre outil et le câble propres (spécialement les aérations H ②)
- ! débranchez la fiche avant le nettoyage**
- Si, malgré tous les soins apportés à la fabrication et au contrôle de l'outil, celui-ci devait avoir un défaut, la réparation ne doit être confiée qu'à une station de service après-vente agréée pour outillage SKIL
- retournez l'outil **non démonté** avec votre preuve d'achat au revendeur ou au centre de service après-vente SKIL le plus proche (les adresses ainsi que la vue éclatée de l'outil figurent sur www.skil.com)
- Veuillez noter que tout dégât causé par une surcharge ou une mauvaise utilisation de l'outil ne sera pas couvert par la garantie (pour connaître les conditions de la garantie SKIL, surfez sur www.skil.com ou adressez-vous à votre revendeur)

ENVIRONNEMENT

- **Ne jetez pas les outils électriques, les accessoires et l'emballage dans les ordures ménagères** (pour les pays européens uniquement)
- conformément à la directive européenne 2012/19/EG relative aux déchets d'équipements électriques ou électroniques, et à sa transposition dans la législation nationale, les outils électriques usés doivent être collectés séparément et faire l'objet d'un recyclage

respectueux de l'environnement

- le symbole  vous le rappellera au moment de la mise au rebut de l'outil




BRUIT / VIBRATION

- Mesurés selon EN 60745, le niveau de pression sonore de cet outil est de 94,2 dB(A), le niveau de puissance acoustique est de 105,2 dB(A) (incertitude K = 3 dB), et la vibration * (somme vectorielle triax ; incertitude K = 1,5 m/s²)
 - * pendant le perçage du métal < 2,5 m/s²
 - * pendant le perçage de percussion du béton 11,1 m/s²
 - Le niveau de vibrations émises a été mesuré conformément à l'essai normalisé de la norme EN 60745; il peut être utilisé pour comparer plusieurs outils et pour réaliser une évaluation préliminaire de l'exposition aux vibrations lors de l'utilisation de l'outil pour les applications mentionnées
 - l'utilisation de l'outil dans d'autres applications, ou avec des accessoires différents ou mal entretenus, peut considérablement **augmenter** le niveau d'exposition
 - la mise hors tension de l'outil et sa non-utilisation pendant qu'il est allumé peuvent considérablement **réduire** le niveau d'exposition
- ! protégez-vous contre les effets des vibrations par un entretien correct de l'outil et de ses accessoires, en gardant vos mains chaudes et en structurant vos schémas de travail**

D

Schlagbohrmaschine 6745

EINLEITUNG

- Dieses Werkzeug ist bestimmt zum Schlagbohren in Ziegel sowie zum Bohren in Holz, Metall, Keramik und Kunststoff
- Dieses Werkzeug eignet sich nicht für den professionellen Einsatz
- Bitte diese Bedienungsanleitung sorgfältig lesen und aufbewahren 

TECHNISCHE DATEN

WERKZEUGKOMPONENTEN

- A** Schalter zum Ein-Aus-Schalten und zur Drehzahlregelung
- B** Knopf zum Feststellen des Schalters
- C** Rad zur Maximalgeschwindigkeits-Kontrolle
- D** Schalter zum Umschalten der Drehrichtung
- E** Gangwahlschalter
- F** Schalter zum Wählen der Bohr-Position
- G** Zusatzgriff
- H** Lüftungsschlitze

SICHERHEIT

ALLGEMEINE SICHERHEITSHINWEISE FÜR ELEKTROWERKZEUGE

⚠️ WARNUNG Lesen Sie alle Sicherheitshinweise, Anweisungen, Abbildungen und technischen Daten dieses Elektrogeräts. Die Nichtbeachtung der nachfolgenden Anweisungen kann zu Stromschlägen, Bränden bzw. ernsthaften Verletzungen führen.

Bewahren Sie alle Sicherheitshinweise und Anweisungen für die Zukunft auf.

Der in den Sicherheitshinweisen verwendete Begriff "Elektrowerkzeug" bezieht sich auf netzbetriebene Elektrowerkzeuge (mit Netzkabel) und auf akkubetriebene Elektrowerkzeuge (ohne Netzkabel).

1) ARBEITSPLATZSICHERHEIT

- Halten Sie Ihren Arbeitsbereich sauber und gut beleuchtet.** Unordnung oder unbeleuchtete Arbeitsbereiche können zu Unfällen führen.
- Arbeiten Sie mit dem Elektrowerkzeug nicht in explosionsgefährdeter Umgebung, in der sich brennbare Flüssigkeiten, Gase oder Stäube befinden.** Elektrowerkzeuge erzeugen Funken, die den Staub oder die Dämpfe entzünden können.
- Halten Sie Kinder und andere Personen während der Benutzung des Elektrowerkzeuges fern.** Bei Ablenkung können Sie die Kontrolle über das Elektrowerkzeug verlieren.

2) ELEKTRISCHE SICHERHEIT

- Der Anschlussstecker des Elektrowerkzeuges muss in die Steckdose passen. Der Stecker darf in keiner Weise verändert werden. Verwenden Sie keine Adapterstecker gemeinsam mit geschützten Elektrowerkzeugen.** Unveränderte Stecker und passende Steckdosen verringern das Risiko eines elektrischen Schlages.
- Vermeiden Sie Körperkontakt mit geerdeten Oberflächen, wie von Rohren, Heizungen, Herden und Kühlschränken.** Es besteht ein erhöhtes Risiko durch elektrischen Schlag, wenn Ihr Körper geerdet ist.
- Halten Sie das Elektrowerkzeug von Regen oder Nässe fern.** Das Eindringen von Wasser in ein Elektrogerät erhöht das Risiko eines elektrischen Schlages.
- Zweckentfremden Sie das Kabel nicht, um das Elektrowerkzeug zu tragen, aufzuhängen oder um den Stecker aus der Steckdose zu ziehen. Halten Sie das Kabel fern von Hitze, Öl, scharfen Kanten oder sich bewegenden Elektrowerkzeugteilen.** Beschädigte oder verwickelte Kabel erhöhen das Risiko eines elektrischen Schlages.
- Wenn Sie mit einem Elektrowerkzeug im Freien arbeiten, verwenden Sie nur Verlängerungskabel, die auch für den Außenbereich zugelassen sind.** Die Anwendung eines für den Außenbereich geeigneten Verlängerungskabels verringert das Risiko eines elektrischen Schlages.
- Wenn der Betrieb des Elektrowerkzeuges in feuchter Umgebung nicht vermeidbar ist, verwenden Sie einen Fehlerstromschutzschalter.** Der Einsatz eines

Fehlerstromschutzschalters vermindert das Risiko eines elektrischen Schlages.

3) SICHERHEIT VON PERSONEN

- a) **Seien Sie aufmerksam, achten Sie darauf, was Sie tun, und gehen Sie mit Vernunft an die Arbeit mit einem Elektrowerkzeug. Benutzen Sie das Elektrowerkzeug nicht, wenn Sie müde sind oder unter dem Einfluss von Drogen, Alkohol oder Medikamenten stehen.** Ein Moment der Unachtsamkeit beim Gebrauch des Elektrowerkzeuges kann zu ernsthaften Verletzungen führen.
 - b) **Tragen Sie persönliche Schutzausrüstung und immer eine Schutzbrille.** Das Tragen persönlicher Schutzausrüstung, wie Staubmaske, rutschfeste Sicherheitsschuhe, Schutzhelm oder Gehörschutz, je nach Art und Einsatz des Elektrowerkzeuges, verringert das Risiko von Verletzungen.
 - c) **Vermeiden Sie eine unbeabsichtigte Inbetriebnahme. Vergewissern Sie sich, dass das Elektrowerkzeug ausgeschaltet ist, bevor Sie es an die Stromversorgung und/oder den Akku anschließen, es aufnehmen oder tragen.** Wenn Sie beim Tragen des Elektrowerkzeuges den Finger am Schalter haben oder das Elektrowerkzeug eingeschaltet an die Stromversorgung anschließen, kann dies zu Unfällen führen.
 - d) **Entfernen Sie Einstellwerkzeuge oder Schraubenschlüssel, bevor Sie das Elektrowerkzeug einschalten.** Ein Werkzeug oder Schlüssel, der sich in einem drehenden Elektrowerkzeugeteil befindet, kann zu Verletzungen führen.
 - e) **Überschätzen Sie sich nicht. Sorgen Sie für einen sicheren Stand und halten Sie jederzeit das Gleichgewicht.** Dadurch können Sie das Elektrowerkzeug in unerwarteten Situationen besser kontrollieren.
 - f) **Tragen Sie geeignete Kleidung. Tragen Sie keine weite Kleidung oder Schmuck. Halten Sie Haare und Kleidung fern von sich bewegenden Teilen.** Lockere Kleidung, Schmuck oder lange Haare können von sich bewegenden Teilen erfasst werden.
 - g) **Wenn Staubabsaug- und -auffangeinrichtungen montiert werden können, vergewissern Sie sich, dass diese angeschlossen sind und richtig verwendet werden.** Verwendung einer Staubabsaugung verringert Gefährdungen durch Staub.
 - h) **Wiegen Sie sich nicht in falscher Sicherheit und setzen Sie sich nicht über die Sicherheitsregeln für Elektrowerkzeuge hinweg, auch wenn Sie nach vielfachem Gebrauch mit dem Elektrowerkzeug vertraut sind.** Achtloses Handeln kann binnen Sekundenbruchteilen zu schweren Verletzungen führen.
- ### 4) SORGFÄLTIGER UMGANG UND GEBRAUCH VON ELEKTROWERKZEUGEN
- a) **Überlasten Sie das Elektrowerkzeug nicht. Verwenden Sie für Ihre Arbeit das dafür bestimmte Elektrowerkzeug.** Mit dem passenden Elektrowerkzeug arbeiten Sie besser und sicherer im angegebenen Leistungsbereich.
 - b) **Benutzen Sie kein Elektrowerkzeug, dessen Schalter defekt ist.** Ein Elektrowerkzeug, das sich nicht mehr ein- oder ausschalten lässt, ist gefährlich und muss repariert werden.
 - c) **Ziehen Sie den Stecker aus der Steckdose und/**

oder entfernen Sie einen abnehmbaren Akku, bevor Sie Geräteeinstellungen vornehmen, Zubehörteile wechseln oder das Elektrowerkzeug weglegen. Diese Vorsichtsmaßnahme verhindert den unbeabsichtigten Start des Elektrowerkzeuges.

- d) **Bewahren Sie unbenutzte Elektrowerkzeuge außerhalb der Reichweite von Kindern auf. Lassen Sie Personen das Elektrowerkzeug nicht benutzen, die mit diesem nicht vertraut sind oder diese Anweisungen nicht gelesen haben.** Elektrowerkzeuge sind gefährlich, wenn Sie von unerfahrenen Personen benutzt werden.
 - e) **Pflegen Sie Elektrowerkzeuge und Zubehör mit Sorgfalt. Kontrollieren Sie, ob bewegliche Elektrowerkzeugteile einwandfrei funktionieren und nicht klemmen, ob Teile gebrochen oder so beschädigt sind, dass die Funktion des Elektrowerkzeuges beeinträchtigt ist. Lassen Sie beschädigte Teile vor dem Einsatz des Elektrowerkzeuges reparieren.** Viele Unfälle haben ihre Ursache in schlecht gewarteten Elektrowerkzeugen.
 - f) **Halten Sie Schneidwerkzeuge scharf und sauber.** Sorgfältig gepflegte Schneidwerkzeuge mit scharfen Schneidkanten verklemmen sich weniger und sind leichter zu führen.
 - g) **Verwenden Sie Elektrowerkzeug, Zubehör, Einsatzwerkzeuge usw. entsprechend diesen Anweisungen. Berücksichtigen Sie dabei die Arbeitsbedingungen und die auszuführende Tätigkeit.** Der Gebrauch von Elektrowerkzeugen für andere als die vorgesehenen Anwendungen kann zu gefährlichen Situationen führen.
 - h) **Halten Sie Griffe und Griffflächen trocken, sauber und frei von Öl und Fett.** Rutschige Griffe und Griffflächen erlauben keine sichere Bedienung und Kontrolle des Elektrowerkzeuges in unvorhergesehenen Situationen.
- ### 5) SERVICE
- a) **Lassen Sie Ihr Elektrowerkzeug nur von qualifiziertem Fachpersonal und nur mit Original-Ersatzteilen reparieren.** Damit wird sichergestellt, dass die Sicherheit des Elektrowerkzeuges erhalten bleibt.

SICHERHEITSHINWEISE FÜR SCHLAGBOHRMASCHINEN

- 1) **SICHERHEITSHINWEISE FÜR ALLE ARBEITEN**
 - a) **Beim Schlagbohren Gehörschutz tragen.** Lärmbelästigung kann zu Hörverlust führen.
 - b) **Zusatzgriff(e) verwenden.** Ein Kontrollverlust kann zu Verletzungen führen.
 - c) **Halten Sie das Elektrowerkzeug an isolierten Greifflächen fest, wenn Sie einen Arbeitsgang durchführen, bei dem das Schneidzubehör oder das Befestigungselement mit Unterputzverklebung oder dem eigenen Kabel in Berührung kommen kann.** Schneidzubehör oder Verbindungselemente, die mit einem unter Spannung stehenden Kabel in Berührung kommen, können freiliegende Metallteile des Elektrowerkzeuges „unter Spannung“ setzen und dem Bediener einen elektrischen Schlag versetzen.
- 2) **SICHERHEITSHINWEISE FÜR DIE NUTZUNG DER LANGEN BOHRER**
 - a) **Niemals mit einer höheren Drehzahl als der**

maximalen Drehzahl des Bohrer arbeiten. Bei höheren Geschwindigkeiten kann sich der Bit verbiegen, wenn er sich frei drehen kann, ohne das Werkstück zu berühren. Dies kann zu Verletzungen führen.

- b) **Beginnen Sie das Bohren immer mit niedriger Drehzahl und mit der Bohrspitze in Kontakt mit dem Werkstück.** Bei höheren Geschwindigkeiten kann sich der Aufsatz verbiegen, wenn er sich frei drehen kann, ohne das Werkstück zu berühren. Dies kann zu Verletzungen führen.
- c) **Druck nur in direkter Linie mit dem Bohrer ausüben und keinen übermäßigen Druck ausüben.** Aufsätze können sich verbiegen und zu Bruch oder Kontrollverlust führen. Dies kann wiederum zu Verletzungen führen.

ALLGEMEINES

- Der Benutzer dieses Werkzeuges sollte älter als 16 Jahre sein
- **Ziehen Sie grundsätzlich den Netzstecker, bevor Sie beliebige Änderungen an den Einstellungen oder einen Zubehöerwechsel vornehmen**
- Bei Benutzung von Verlängerungskabeln ist darauf zu achten, daß das Kabel vollständig abgerollt ist und eine Kapazität von 16 A hat
- **Bearbeiten Sie kein asbesthaltiges Material** (Asbest gilt als krebserregend)
- Staub von Materialien wie Farbe, die Blei enthält, einigen Holzarten, Mineralien und Metall kann schädlich sein (Kontakt mit oder Einatmen des Staubs kann zu allergischen Reaktionen und/oder Atemwegserkrankheiten beim Bediener oder Umstehenden führen); **tragen Sie eine Staubmaske und arbeiten Sie mit einem Staubabsaugungssystem, wenn ein solches angeschlossen werden kann**
- Bestimmte Arten von Staub sind als karzinogen klassifiziert (beispielsweise Eichen- und Buchenholzstaub), insbesondere in Verbindung mit Zusätzen für die Holzvorbehandlung; **tragen Sie eine Staubmaske und arbeiten Sie mit einem Staubabsaugungssystem, wenn ein solches angeschlossen werden kann**
- Beachten Sie die für Ihr verwendetes Verbrauchsmaterial gültigen nationalen Staubschutzvorgaben

VOR DER ANWENDUNG

- Stets nachprüfen, daß die Netzspannung mit der auf dem Typenschild des Werkzeuges angegebenen Spannung übereinstimmt
- Beschädigungen durch Schrauben, Nägel und ähnliches an Ihrem Werkstück vermeiden; diese vor Arbeitsbeginn entfernen
- **Verwenden Sie geeignete Suchgeräte, um verborgene Versorgungsleitungen aufzuspüren, oder ziehen Sie die örtliche Versorgungsgesellschaft hinzu** (Kontakt mit Elektroleitungen kann zu Feuer und elektrischem Schlag führen; Beschädigung einer Gasleitung kann zur Explosion führen; Eindringen in eine Wasserleitung verursacht Sachbeschädigung oder kann einen elektrischen Schlag verursachen)
- **Sichern Sie das Werkstück** (ein mit Spannvorrichtungen oder Schraubstock festgehaltenes Werkstück ist sicherer gehalten als mit der Hand)
- Verwenden Sie das Werkzeug niemals, wenn das Kabel beschädigt ist; es muss durch ein speziell vorbereitetes Kabel ersetzt werden, das über die Serviceorganisation erhältlich ist.

ZUBEHÖR

- SKIL kann nur dann die einwandfreie Funktion des Werkzeuges zusichern, wenn Original-Zubehör verwendet wird
- Nur Zubehör verwenden, dessen zulässige Drehzahl mindestens so hoch ist wie die höchste Leerlaufdrehzahl des Werkzeuges

WÄHREND DER ANWENDUNG

- Das Kabel immer von umlaufenden Teilen des Werkzeuges fernhalten
- Im Falle des unerwarteten Blockierens des Bohrers (mit einer ruckartigen gefährlichen Reaktion), das Werkzeug sofort abschalten
- Beachten Sie die auftretenden Kräfte beim Blockieren (besonders beim Bohren in Metall); **das Werkzeug immer am Seitengriff G** und einen sicheren Stand einnehmen
- Bei elektrischer oder mechanischer Fehlfunktion das Werkzeug sofort ausschalten und den Netzstecker ziehen
- Wird bei der Arbeit das Kabel beschädigt oder durchtrennt, Kabel nicht berühren, sondern sofort den Netzstecker ziehen

NACH DER ANWENDUNG

- Sobald Sie sich von Ihrem Werkzeug entfernen, sollte dieses ausgeschaltet werden und die sich bewegenden Teile vollkommen zum Stillstand gekommen sein

ERKLÄRUNG DER SYMBOLE AUF DEM WERKZEUG

- ③ Die Bedienungsanleitung vor dem Gebrauch lesen
- ④ Doppelte Isolierung (kein Erdleiter erforderlich)
- ⑤ Das Werkzeug nicht in den Hausmüll werfen

BEDIENUNG

- Ein-/Aus-Schalten ⑥
 - Aretierung des Schalters für Dauerlauf ⑦
 - Drehzahlregulierung für Sanftanlauf ⑧
 - Maximalgeschwindigkeits-Kontrolle ⑨
- Mit dem Rad C wird die Maximalgeschwindigkeit von niedrig bis hoch eingestellt
- das Werkzeug einschalten
 - den Schalter feststellen
 - am Rad C die Maximalgeschwindigkeit verwalten
- Mechanische Gangwahl ⑩
 - Schalter E auf gewünschte Drehzahl stellen
- ! den Gangwahlschalter betätigen während das Werkzeug langsam läuft**
- 1 = NIEDRIGE DREHZAHL
- hohes Drehmoment
 - zum Bohren von großen Durchmessern
 - zum Gewindebohren
- 2 = HOHE DREHZAHL
- niedriges Drehmoment
 - zum Bohren von kleinen Durchmessern
- Umschalten der Drehrichtung ⑪
 - wenn die links/rechts Position nicht richtig einrastet, kann der Schalter A ② nicht betätigt werden
- ! Drehrichtung nur dann umschalten, wenn das Werkzeug vollkommen stillsteht**
- Normales Bohren oder Bohrhämmern ⑫
- ! Bohr-Position nur wählen wenn das Werkzeug ausgeschaltet und der Netzstecker gezogen ist**
- Wechseln von Bits ⑬
 - das Bit so tief wie möglich in das Bohrfutter einführen
- ! keine Bits mit beschädigtem Schaft benutzen**
- Einstellen der Bohrtiefe ⑭

- Halten und Führen des Werkzeuges ⑮
 - **das Werkzeug immer am Seitengriff G** (kann laut Darstellung geregelt werden)
 - ! **Werkzeug beim Arbeiten immer am grauen Griffbereich fassen**
 - halten Sie die Lüftungsschlitze offen
 - nicht zuviel Druck auf das Werkzeug ausüben; lassen Sie das Werkzeug für Sie arbeiten

ANWENDUNGSHINWEISE

- Die entsprechenden Bits verwenden ⑮
 - ! **nur scharfe Bits verwenden**
- Beim Bohren in Beton oder Stein muß ein beständiger Druck auf den Bohrer ausgeübt werden
- Beim Bohren in Eisenmetallen
 - kleines Loch vorbohren wenn ein größeres Loch benötigt ist
 - Bits gelegentlich mit Öl einfeilen
- Splitterfreies Bohren in Holz ⑰
- Staubbefreies Bohren in Mauern ⑱
- Staubbefreies Bohren in Decken ⑲
- Bohren in Fliesen ohne auszurutschen ⑳
- Für weitere Informationen verweisen wir auf www.skil.com

WARTUNG / SERVICE

- Dieses Werkzeug eignet sich nicht für den professionellen Einsatz
- Halten Sie Werkzeug und Kabel immer sauber (insbesondere die Lüftungsschlitze H ②)
 - ! **Netzstecker vor dem Säubern ziehen**
- Sollte das Elektrowerkzeug trotz sorgfältiger Herstellungs- und Prüfverfahren einmal ausfallen, ist die Reparatur von einer autorisierten Kundendienststelle für SKIL-Elektrowerkzeuge ausführen zu lassen
 - das Werkzeug **unzerlegt**, zusammen mit dem Kaufbeleg, an den Lieferer oder die nächste SKIL-Vertragswerkstätte senden (die Anschriften so wie die Ersatzteilzeichnung des Werkzeuges finden Sie unter www.skil.com)
- Beachten Sie, dass ein falscher oder unsachgemäßer Gebrauch des Werkzeuges zum Erlöschen der Garantie führt (die SKIL-Garantiebedingungen finden Sie unter www.skil.com oder fragen Sie Ihren Händler)

UMWELT

- **Elektrowerkzeuge, Zubehör und Verpackungen nicht in den Hausmüll werfen** (nur für EU-Länder)
 - gemäß Europäischer Richtlinie 2012/19/EG über Elektro- und Elektronik- Altgeräte und Umsetzung in nationales Recht müssen nicht mehr gebrauchsfähige Elektrowerkzeuge getrennt gesammelt und einer umweltgerechten Wiederverwertung zugeführt werden
 - hieran soll Sie Symbol ⑤ erinnern

GERÄUSCH / VIBRATION

- Gemessen nach EN 60745 beträgt der Schalldruckpegel dieses Werkzeugs 94,2 dB(A) und der Schalleistungspegel 105,2 dB(A) (Unsicherheit K = 3 dB), und die Schwingung * (Triaxvektorsumme; Unsicherheit K = 1,5 m/s²)
 - * beim Bohren in Metall < 2,5 m/s²
 - * beim Schlagbohren in Beton 11,1 m/s²

- Die Vibrationsemissionsstufe wurde mit einem standardisierten Test gemäß EN 60745 gemessen; Sie kann verwendet werden, um ein Werkzeug mit einem anderen zu vergleichen und als vorläufige Beurteilung der Vibrationsexposition bei Verwendung des Werkzeugs für die angegebenen Anwendungszwecke
 - die Verwendung des Werkzeugs für andere Anwendungen oder mit anderem oder schlecht gewartetem Zubehör kann die Expositionsstufe erheblich **erhöhen**
 - Zeiten, zu denen das Werkzeug ausgeschaltet ist, oder wenn es läuft aber eigentlich nicht eingesetzt wird, können die Expositionsstufe erheblich **verringern**
- ! **schützen Sie sich vor den Auswirkungen der Vibration durch Wartung des Werkzeugs und des Zubehörs, halten Sie Ihre Hände warm und organisieren Sie Ihren Arbeitsablauf**

NL

Klopboormachine

6745

INTRODUCTIE

- Deze machine is bestemd voor het klopboren in baksteen en voor het boren in hout, metaal, keramiek en kunststof
- Deze machine is niet bedoeld voor professioneel gebruik
- Lees en bewaar deze gebruiksaanwijzing ③

TECHNISCHE GEGEVENS ①

MACHINE-ELEMENTEN ②

- A Schakelaar voor aan/uit en toerentalregeling
- B Knop voor vastzetten van schakelaar
- C Instelwiel voor maximum-snelheid/koppel
- D Knop voor omschakelen van draairichting
- E Toerentalschakelaar
- F Knop voor omschakelen van boorstand
- G Extra handgreep
- H Ventilatie-openingen

VEILIGHEID

ALGEMENE VEILIGHEIDSWAARSCHUWINGEN VOOR ELEKTRISCHE GEREEDSCHAPPEN

⚠ WAARSCHUWING Lees alle veiligheidswaarschuwingen, instructies, afbeeldingen en specificaties die met dit elektrische gereedschap zijn meegeleverd. Het niet volgen van alle hieronder genoemde instructies kan elektrische schokken, brand en/of ernstig letsel tot gevolg hebben.

Bewaar alle waarschuwingen en voorschriften voor toekomstig gebruik.

Het in de waarschuwingen gebruikte begrip "elektrisch gereedschap" heeft betrekking op elektrische gereedschappen voor gebruik op het stroomnet (met netsnoer) en op elektrische gereedschappen voor gebruik met een accu (zonder netsnoer).

1) VEILIGHEID VAN DE WERKOMGEVING

- a) **Houd uw werkomgeving schoon en opgeruimd.** Een rommelige of onverlichte werkomgeving kan tot ongevallen leiden.
- b) **Werk met het gereedschap niet in een omgeving met explosiegevaar waarin zich brandbare vloeistoffen, gassen of stof bevinden.** Elektrische gereedschappen veroorzaken vonken die het stof of de dampen tot ontsteking kunnen brengen.
- c) **Houd kinderen en andere personen tijdens het gebruik van het elektrische gereedschap uit de buurt.** Wanneer u wordt afgeleid, kunt u de controle over het gereedschap verliezen.

2) ELEKTRISCHE VEILIGHEID

- a) **De aansluitstekker van het gereedschap moet in het stopcontact passen. De stekker mag in geen geval worden veranderd. Gebruik geen adapterstekkers in combinatie met geaarde gereedschappen.** Onveranderde stekkers en passende stopcontacten beperken het risico van een elektrische schok.
- b) **Voorkom aanraking van het lichaam met geaarde oppervlakken, bijvoorbeeld van buizen, verwarmingen, fornuizen en koelkasten.** Er bestaat een verhoogd risico door een elektrische schok wanneer uw lichaam geaard is.
- c) **Houd het gereedschap uit de buurt van regen en vocht.** Het binnendringen van water in het elektrische gereedschap vergroot het risico van een elektrische schok.
- d) **Gebruik de kabel niet voor een verkeerd doel, om het gereedschap te dragen of op te hangen of om de stekker uit het stopcontact te trekken. Houd de kabel uit de buurt van hitte, olie, scherpe randen en bewegende gereedschapsdelen.** Beschadigde of in de war geraakte kabels vergroten het risico van een elektrische schok.
- e) **Wanneer u buitenshuis met elektrisch gereedschap werkt, dient u alleen verlengkabels te gebruiken die voor gebruik buitenshuis zijn goedgekeurd.** Het gebruik van een voor gebruik buitenshuis geschikte verlengkabel beperkt het risico van een elektrische schok.
- f) **Als het gebruik van het elektrische gereedschap in een vochtige omgeving onvermijdelijk is, dient u een aardlekschakelaar te gebruiken.** Het gebruik van een aardlekschakelaar vermindert het risico van een elektrische schok.

3) PERSOONLIJKE VEILIGHEID

- a) **Wees alert, let goed op wat u doet en ga met verstand te werk bij het gebruik van het elektrische gereedschap. Gebruik het gereedschap niet wanneer u moe bent of onder invloed staat van drugs, alcohol of medicijnen.** Een moment van onoplettendheid bij het gebruik van het gereedschap kan tot ernstige verwondingen leiden.
- b) **Draag persoonlijke beschermende uitrusting en altijd een veiligheidsbril.** Het dragen van persoonlijke beschermende uitrusting zoals een stofmasker, slijpvaste werkschoenen, een veiligheidshelm of gehoorbescherming, afhankelijk van de aard en het gebruik van het elektrische gereedschap, vermindert het risico van verwondingen.
- c) **Voorkom per ongeluk inschakelen. Controleer dat het elektrische gereedschap uitgeschakeld is**

- voordat u de stekker in het stopcontact steekt of de accu aansluit en voordat u het gereedschap oppakt of draagt.** Wanneer u bij het dragen van het elektrische gereedschap uw vinger aan de schakelaar hebt of wanneer u het gereedschap ingeschakeld op de stroomvoorziening aansluit, kan dit tot ongevallen leiden.
- d) **Verwijder instelgereedschappen of schroef sleutels voordat u het gereedschap inschakelt.** Een instelgereedschap of sleutel in een draaiend deel van het gereedschap kan tot verwondingen leiden.
- e) **Probeer niet ver te reiken. Zorg ervoor dat u stevig staat en steeds in evenwicht blijft.** Daardoor kunt u het gereedschap in onverwachte situaties beter onder controle houden.
- f) **Draag geschikte kleding. Draag geen loshangende kleding of sieraden. Houd haren en kleding uit de buurt van bewegende delen.** Loshangende kleding, sieraden en lange haren kunnen door bewegende delen worden meegenomen.
- g) **Wanneer stofzuigings- of stofopvangvoorzieningen kunnen worden gemonteerd, dient u zich ervan te verzekeren dat deze zijn aangesloten en juist worden gebruikt.** Het gebruik van een stofzuiging beperkt het gevaar door stof.
- h) **Ondanks het feit dat u eventueel heel goed vertrouwd bent met het gebruik van gereedschappen, moet u ervoor zorgen dat u niet nonchalant wordt en veiligheidsvoorschriften voor het gereedschap gaat negeren.** Een onoplettende handeling kan binnen een fractie van een seconde ernstig letsel veroorzaken.

4) GEBRUIK EN ONDERHOUD VAN ELEKTRISCHE GEREEDSCHAPPEN

- a) **Overbelast het gereedschap niet. Gebruik voor uw werkzaamheden het daarvoor bestemde elektrische gereedschap.** Met het passende elektrische gereedschap werkt u beter en veiliger binnen het aangegeven capaciteitsbereik.
- b) **Gebruik geen elektrisch gereedschap waarvan de schakelaar defect is.** Elektrisch gereedschap dat niet meer kan worden in- of uitgeschakeld, is gevaarlijk en moet worden gerepareerd.
- c) **Trek de stekker uit het stopcontact en/of neem de accu (indien uitneembaar) uit het elektrische gereedschap voordat u het elektrische gereedschap instelt, accessoires wisselt of het elektrische gereedschap opbergt.** Deze voorzorgsmaatregel voorkomt onbedoeld starten van het elektrische gereedschap.
- d) **Bewaar niet-gebruikte elektrische gereedschappen buiten bereik van kinderen. Laat het gereedschap niet gebruiken door personen die er niet mee vertrouwd zijn en deze aanwijzingen niet hebben gelezen.** Elektrische gereedschappen zijn gevaarlijk wanneer deze door onervaren personen worden gebruikt.
- e) **Verzorg het gereedschap zorgvuldig. Controleer of bewegende delen van het gereedschap correct functioneren en niet vastklemmen en of onderdelen zodanig gebroken of beschadigd zijn dat de werking van het gereedschap nadelig wordt beïnvloed. Laat beschadigde delen repareren voordat u het gereedschap gebruikt.** Veel ongevallen hebben hun oorzaak in slecht onderhouden elektrische gereedschappen.

- f) **Houd snijdende inzetgereedschappen scherp en schoon.** Zorgvuldig onderhouden snijdende inzetgereedschappen met scherpe snijkanten klemmen minder snel vast en zijn gemakkelijker te geleiden.
 - g) **Gebruik elektrische gereedschappen, toebehoren, inzetgereedschappen en dergelijke volgens deze aanwijzingen. Let daarbij op de arbeidsomstandigheden en de uit te voeren werkzaamheden.** Het gebruik van elektrische gereedschappen voor andere dan de voorziene toepassingen kan tot gevaarlijke situaties leiden.
 - h) **Houd handgrepen en greepvlakken droog, schoon en vrij van olie en vet.** Gladde handgrepen en greepvlakken verhinderen dat het gereedschap in onverwachte situaties veilig kan worden gehanteerd en bediend.
- 5) SERVICE**
- a) **Laat het gereedschap alleen repareren door gekwalificeerd en vakkundig personeel en alleen met originele vervangingsonderdelen.** Daarmee wordt gewaarborgd dat de veiligheid van het gereedschap in stand blijft.

VEILIGHEIDSVOORSCHRIFTEN VOOR KLOPBOORMACHINES

1) VEILIGHEIDSVOORSCHRIFTEN VOOR ALLE WERKZAAMHEDEN

- a) **Draag gehoorbescherming tijdens klopboren.** Blootstelling aan lawaai kan gehoorverlies tot gevolg hebben.
- b) **Gebruik de extra handgreep/handgrepen.** Als men de controle verliest kan dit persoonlijk letsel als gevolg hebben.
- c) **Houd het elektrische gereedschap vast aan de geïsoleerde greepvlakken als u werkzaamheden uitvoert waarbij het inzetgereedschap of de schroeven verborgen stroomleidingen of het netsnoer kunnen raken.** Contact met een onder spanning staande leiding kan ook metalen delen van het elektrische gereedschap onder spanning zetten en tot een elektrische schok leiden.

2) VEILIGHEIDSVOORSCHRIFTEN VOOR HET GEBRUIK VAN LANGE BOORBITS

- a) **Werk nooit met hogere snelheden dan de maximale snelheid van de boorbit.** Bij hogere snelheden kan de bit gaan buigen als men hem vrij laat draaien zonder contact met het werkstuk, wat persoonlijk letsel tot gevolg kan hebben.
- b) **Begin altijd bij lage snelheid te boren en met de punt van de boor in contact met het werkstuk.** Bij hogere snelheden kan de bit gaan buigen als men hem vrij laat draaien zonder contact met het werkstuk, wat persoonlijk letsel tot gevolg kan hebben.
- c) **Oefen uitsluitend kracht uit in de directe richting van de bit en oefen geen excessieve kracht uit.** Bits kunnen buigen waardoor ze kunnen breken of men de controle verliest, met persoonlijk letsel als gevolg.

ALGEMEEN

- Deze machine mag niet worden gebruikt door personen onder de 16 jaar
- **Trek altijd de stekker uit het stopcontact voordat u een instelling verandert of een accessoire verwisselt**

- Gebruik volledig uitgerolde en veilige verlengsnoeren met een capaciteit van 16 Ampère
- **Bewerk geen asbesthoudend materiaal** (asbest geldt als kankerverwekkend)
- Stof van materiaal zoals loodhoudende verf, sommige houtsoorten, mineralen en metaal kunnen schadelijk zijn (contact met of inademing van de stof kan allergische reacties en/of ademhalingsziekten bij gebruiker of omstanders veroorzaken); **draag een stofmasker en werk met een stofopvang-voorziening als die kan worden aangesloten**
- Bepaalde soorten stof zijn geclassificeerd als kankerverwekkend (zoals stof van eiken en beuken), met name in combinatie met toevoegingsmiddelen voor houtverzorging; **draag een stofmasker en werk met een stofopvang-voorziening als die kan worden aangesloten**
- Neem voor de door u te bewerken materialen de nationale voorschriften aangaande stofopvang in acht

VOÓR GEBRUIK

- Controleer altijd of het voltage, dat vermeld staat op het typeplaatje van de machine, overeenkomt met de netspanning
- Voorkom schade, die kan ontstaan door schroeven, spijkers en andere voorwerpen in uw werkstuk; verwijder deze, voordat u aan een karwei begint
- **Gebruik een geschikt detectieapparaat om verborgen stroom-, gas- of waterleidingen op te sporen of raadpleeg het plaatselijke energie- of waterleidingbedrijf** (contact met elektrische leidingen kan tot brand of een elektrische schok leiden; beschadiging van een gasleiding kan tot een explosie leiden; breuk van een waterleiding veroorzaakt materiële schade en kan tot een elektrische schok leiden)
- **Zet het werkstuk vast** (een werkstuk, dat is vastgezet met klemmen of in een bankschroef, zit steviger vast dan wanneer het met de hand wordt vastgehouden)
- Gebruik de machine nooit als het snoer is beschadigd; het moet worden vervangen door een speciaal gemaakt snoer dat verkrijgbaar is via de serviceorganisatie.

ACCESSOIRES

- SKIL kan alleen een correcte werking van de machine garanderen, indien originele accessoires worden gebruikt
- Gebruik alleen accessoires met een toegestaan toerental, dat minstens even hoog is als het hoogste onbelaste toerental van de machine

TIJDENS GEBRUIK

- Houd het snoer altijd verwijderd van de bewegende delen van uw machine
- Schakel in geval van onverwacht blokkeren van de boorpunt (met een gevaarlijke schokbeweging als gevolg) de machine onmiddellijk uit
- Houd rekening met de krachten, die optreden bij blokkeren (vooral bij het boren in metaal); **gebruik altijd zijhandgreep G** en zorg ervoor, dat u stevig staat
- In geval van elektrische of mechanische storing, de machine onmiddellijk uitschakelen en de stekker uit het stopcontact trekken
- Raak het snoer niet aan, als dit tijdens de werkzaamheden wordt beschadigd of doorgesneden, maar trek onmiddellijk de stekker uit het stopcontact

NA GEBRUIK

- Als u de machine wegzet moet de motor uitgeschakeld zijn en de bewegende delen tot stilstand zijn gekomen

UITLEG VAN SYMBOLEN OP MACHINE

- ③ Lees de gebruiksaanwijzing vóór gebruik
- ④ Dubbele isolatie (geen aarddraad nodig)
- ⑤ Geef de machine niet met het huisvuil mee

GEbruik

- Aan/uit ⑥
 - Vastzetten van schakelaar voor continu gebruik ⑦
 - Toerentalregeling voor langzaam starten ⑧
 - Instelbaar maximum-toerental ⑨
- Met wielte C kan een maximum-snelheid van laag tot hoog ingesteld worden
- zet de machine aan
 - zet de schakelaar vast
 - draai aan wielte C om de gewenste maximum-snelheid in te stellen
- Mechanische toerentalkeuze ⑩
 - zet schakelaar E op het gewenste toerental
- ! bedien de toerentalschakelaar alleen als de machine langzaam loopt**
- 1 = LAAG TOERENTAL
- hoog koppel
 - voor boren van grote diameters
 - voor draadtappen
- 2 = HOOG TOERENTAL
- lager koppel
 - voor boren van kleine diameters
- Omschakelen van draairichting ⑪
 - als de omkeerschakelaar niet in de uiterste stand op links/rechts staat, kan schakelaar A ② niet ingedrukt worden
- ! schakel de draairichting alleen om als de machine volledig stilstaat**
- Normaal boren of klopboren ⑫
 - ! selecteer de boor-functie alleen als de machine uitgeschakeld is en met de stekker uit het stopcontact**
 - Verwisselen van bits ⑬
 - plaats bit zo diep mogelijk in de boorkop
 - ! gebruik geen bits met een beschadigde schacht**
 - Instellen van boordiepte ⑭
 - Vasthouden en leiden van de machine ⑮
 - **gebruik altijd zijhandgreep G** (regelbaar zoals afgebeeld)
 - ! houd de machine tijdens het werk altijd vast bij het(de) grijs-gekleurde greepvlak(ken)**
 - houd de ventilatie-openingen onbedekt
 - oefen niet te veel druk uit; laat de machine het werk voor u doen

TOEPASSINGSADVIES

- Gebruik de juiste bits ⑯
- ! gebruik uitsluitend scherpe bits**
- Voor boren in beton en metselwerk voortdurend druk op de boormachine uitoefenen
- Bij het boren in ijzerhoudende metalen
- een kleiner gat voorboren, wanneer een groot gat nodig is
- vet de boorpunt af en toe met olie in
- Splintervrij boren in hout ⑰
- Stofvrij boren in muren ⑱
- Stofvrij boren in plafonds ⑲
- Boren in tegels zonder uitglijden ⑳
- Voor meer informatie zie www.skil.com

ONDERHOUD / SERVICE

- Deze machine is niet bedoeld voor professioneel gebruik
- Houd machine en snoer altijd schoon (met name de ventilatie-openingen H ②)
- ! trek de stekker uit het stopcontact vóór het reinigen**
- Mocht het elektrische gereedschap ondanks zorgvuldige fabricage- en testmethoden toch defect raken, dient de reparatie te worden uitgevoerd door een erkende klantenservice voor SKIL elektrische gereedschappen
- stuur de machine **ongedemonteerd**, samen met het aankoopbewijs, naar het verkoopadres of het dichtstbijzijnde SKIL service-station (de adressen evenals de onderdeelentekening van de machine vindt u op www.skil.com)
- Denk erom, dat beschadigingen als gevolg van overbelasting of onjuist gebruik van de machine niet onder de garantie vallen (voor de garantievoorwaarden van SKIL zie www.skil.com of raadpleeg uw dealer)

MILIEU

- **Geef elektrisch gereedschap, accessoires en verpakkingen niet met het huisvuil mee** (alleen voor EU-landen)
- volgens de Europese richtlijn 2012/19/EG inzake oude elektrische en elektronische apparaten en de toepassing daarvan binnen de nationale wetgeving, dient afgedankt elektrisch gereedschap gescheiden te worden ingezameld en te worden afgevoerd naar een recycle-bedrijf, dat voldoet aan de geldende milieu-eisen
- symbool ⑤ zal u in het afdankstadium hieraan herinneren

GELUID / VIBRATIE

- Gemeten in navolging van EN 62841 is het geluidsdruk-niveau van deze machine 94,2 dB(A) en het geluidsvermogensniveau 105,2 dB(A) (onzekerheid K = 3 dB), en de trilling * (triax vector som; onzekerheid K = 1.5 m/s²)
- * bij het boren in metaal < 2,5 m/s²**
- * bij het klopboren in beton 11,1 m/s²**
- Het trillingsemissieniveau is gemeten in overeenstemming met een gestandaardiseerde test volgens EN 60745; deze mag worden gebruikt om twee machines met elkaar te vergelijken en als voorlopige beoordeling van de blootstelling aan trilling bij gebruik van de machine voor de vermelde toepassingen
- gebruik van de machine voor andere toepassingen, of met andere of slecht onderhouden accessoires, kan het blootstellingsniveau aanzienlijk **verhogen**
- wanneer de machine is uitgeschakeld of wanneer deze loopt maar geen werk verricht, kan dit het blootstellingsniveau aanzienlijk **reduceren**
- ! bescherm uzelf tegen de gevolgen van trilling door de machine en de accessoires te onderhouden, uw handen warm te houden en uw werkwijze te organiseren**

Slagborrmaskin

6745

INTRODUKTION

- Maskinen är avsedd för slagborrning i tegel samt för borring i trä, metall, keramik och plast
- Det här verktyget är inte avsedd för yrkesmässig användning
- Läs och spara denna instruktionsbok ③

TEKNISKA DATA ①

VERKTYGSELEMENT ②

- A Strömbrytare för till/från och varvvalsreglering
- B Knapp för låsning av strömbrytare
- C Ratt för justering av maximalvarvtalet
- D Omkopplare för reversering av rotationsriktningen
- E Växellägesomkopplare
- F Omkopplare för utväljande av borr-system
- G Hjälpbandtag
- H Ventilationsöppningar

SÄKERHET

ALLMÄNNA SÄKERHETSANVISNINGAR FÖR ELVERKTYG

⚠ VARNING Studera alla varningar, anvisningar, bilder och specifikationer gällande säkerhet som medföljer verktyget. Om anvisningarna inte följs kan det resultera i elektriska stötar, brand och/eller allvarliga personskador.

Förvara alla varningar och anvisningar för framtida bruk.

Nedan använt begrepp "elverktyg" hänför sig till nätdrivna elverktyg (med nätsladd) och till batteridrivna elverktyg (sladdlösa).

1) ARBETSPLATSSÄKERHET

- a) **Håll arbetsplatsen ren och välbelyst.** Oordning på arbetsplatsen eller dåligt belyst arbetsområde kan leda till olyckor.
- b) **Använd inte elverktyget i explosionsfarlig omgivning med brännbara vätskor, gaser eller damm.** Elverktygen alstrar gnistor som kan antända dammet eller gaserna.
- c) **Håll under arbetet med elverktyget barn och obehöriga personer på betryggande avstånd.** Om du störs av obehöriga personer kan du förlora kontrollen över elverktyget.

2) ELEKTRISK SÄKERHET

- a) **Elverktygets stickpropp måste passa till vägguttaget.** Stickproppen får absolut inte förändras. Använd inte adapterkontakter tillsammans med skyddsjordade elverktyg. Oförändrade stickproppar och passande vägguttag reducerar risken för elektriskt slag.
- b) **Undvik kroppskontakt med jordade ytor som t. ex. rör, värmeelement, spisar och kylskåp.** Det finns en större risk för elektriskt slag om din kropp är jordad.

- c) **Skydda elverktyget mot regn och väta.** Tränger vatten in i ett elverktyg ökar risken för elektriskt slag.
 - d) **Missbruka inte nätsladden och använd den inte för att bära eller hänga upp elverktyget och inte heller för att dra stickproppen ur vägguttaget.** Håll nätsladden på avstånd från värme, olja, skarpa kanter och rörliga maskindelar. Skadade eller tilltrasslade ledningar ökar risken för elektriskt slag.
 - e) **När du arbetar med ett elverktyg utomhus använd endast förlängningssladdar som är godkända för utomhusbruk.** Om en lämplig förlängningssladd för utomhusbruk används minskar risken för elektriskt slag.
 - f) **Använd en jordfelsbrytare om det inte är möjligt att undvika elverktygets användning i fuktig miljö.** Genom att använda en jordfelsbrytare minskar risken för elstöt.
- #### 3) PERSONSÄKERHET
- a) **Var uppmärksam, kontrollera vad du gör och använd elverktyget med förnuft.** Använd inte elverktyget när du är trött eller om du är påverkad av droger, alkohol eller mediciner. Under användning av elverktyg kan även en kort ouppmärksamhet leda till allvarliga kroppsskador.
 - b) **Bär alltid personlig skyddsutrustning och skyddsglasögon.** Användning av personlig skyddsutrustning som t. ex. dammfiltermask, halkfria säkerhetsskor, skyddshjälm och hörselskydd reducerar alltefter elverktygets typ och användning risken för kroppsskada.
 - c) **Undvik oavsiktlig igångsättning. Kontrollera att elverktyget är fränkopplat innan du ansluter stickproppen till vägguttaget och/eller ansluter/ tar bort batteriet, tar upp eller bär elverktyget.** Om du bär elverktyget med fingret på strömställaren eller ansluter påkopplat elverktyg till nätströmmen kan olycka uppstå.
 - d) **Ta bort alla inställningsverktyg och skruvnycklar innan du kopplar på elverktyget.** Ett verktyg eller en nyckel i en roterande komponent kan medföra kroppsskada.
 - e) **Överskatta inte din förmåga. Se till att du står stadigt och håller balansen.** I detta fall kan du lättare kontrollera elverktyget i oväntade situationer.
 - f) **Bär lämpliga kläder.** Bär inte löst hängande kläder eller smycken. Håll håret och kläderna på avstånd från de rörliga delarna. Löst hängande kläder, smycken och långt hår kan dras in av roterande delar.
 - g) **Vid elverktyg med dammutsugnings- och uppsamlingsutrustning kontrollera att anordningarna är rätt monterade och används på korrekt sätt.** Användning av dammutsugning minskar de risker damm orsakar.
 - h) **Låt inte vanan att ofta använda verktygen göra att du blir slarvig och ignorerar verktygets säkerhetsprinciper.** En vårdslös åtgärd kan leda till allvarlig personskada inom bråkdelen av en sekund.
- #### 4) OMSORGSFULL HANTERING OCH ANVÄNDNING AV ELVERKTYG
- a) **Överbelasta inte elverktyget. Använd för aktuellt arbete avsett elverktyg.** Med ett lämpligt elverktyg kan du arbeta bättre och säkrare inom angivet effektområde.
 - b) **Ett elverktyg med defekt strömställare får inte längre användas.** Ett elverktyg som inte kan kopplas in eller ur är farligt och måste repareras.

- c) **Dra stickproppen ur vägguttaget och/eller ta bort batteriet, om det kan tas ut ur elverktyget, innan inställningar utförs, tillbehörsdelar byts ut eller elverktyget lagras.** Denna skyddsåtgärd förhindrar oavsiktlig inkoppling av elverktyget.
 - d) **Förvara elverktygen oåtkomliga för barn. Låt elverktyget inte användas av personer som inte är förtrogna med dess användning eller inte läst denna anvisning.** Elverktygen är farliga om de används av oerfarna personer.
 - e) **Underhåll elverktyg och tillbehör omsorgsfullt. Kontrollera att rörliga komponenter fungerar felfritt och inte kärvar, att komponenter inte brustit eller skadats; orsaker som kan leda till att elverktygets funktioner påverkas menligt. Låt skadade delar repareras innan elverktyget återanvänds.** Många olyckor orsakas av dåligt skötta elverktyg.
 - f) **Håll skärverktygen skarpa och rena.** Omsorgsfullt skötta skärverktyg med skarpa egg kommer inte så lätt i kläm och går lättare att styra.
 - g) **Använd elverktyget, tillbehör, insatsverktyg osv. enligt dessa anvisningar. Ta hänsyn till arbetsvillkoren och arbetsmomenten.** Används elverktyget på icke ändamålsenligt sätt kan farliga situationer uppstå.
 - h) **Håll handtag och greppytor torra, rena och fria från olja och fett.** Hala handtag och greppytor ger ingen säker hantering och kontroll över verktyget i oväntade situationer.
- 5) SERVICE**
- a) **Låt elverktyget repareras endast av kvalificerad fackpersonal och med originalreservdelar.** Detta garanterar att elverktygets säkerhet upprätthålls.

SÄKERHETSANVISNINGAR FÖR SLAGBORRMASKINER

1) SÄKERHETSANVISNINGAR FÖR ALLA ÅTGÄRDER

- a) **Använd hörselskydd vid slagborring.** Buller kan orsaka hörselnedsättning.
- b) **Använd extrahandtaget/handtagen.** Förlorad kontroll kan leda till personskador.
- c) **Håll verktyget i de isolerade greppytorna när du utför en åtgärd där skärtillbehör eller fästen kan innehålla dolda kablage eller verktygets egen nåtsladd.** Skärtillbehör eller fästen som kommer i kontakt med en strömförande ledning kan medföra att verktygets exponerade metalldelar blir strömförande och leda till att användaren får en elektrisk stöt.

2) SÄKERHETSANVISNINGAR VID ANVÄNDNING AV LÅNGA BORRBITAR

- a) **Använd aldrig högre varvtal än borrbiten klassade maximala varvtal.** Vid högre varvtal är det troligt att biten böjs om den får rotera fritt utan kontakt med arbetsstycket, vilket kan leda till personskador.
- b) **Börja alltid borra med låg hastighet och med bitspetsen i kontakt med arbetsstycket.** Vid högre varvtal är det troligt att biten böjs om den får rotera fritt utan kontakt med arbetsstycket, vilket kan leda till personskador.
- c) **Använd tryck endast i direkt linje med biten och tryck inte för mycket.** Bitar kan böjas, vilket orsakar brott eller förlorad kontroll, vilket kan leda till personskador.

ALLMÄNT

- Den här maskinen ska inte användas av personer under 16 år
- **Dra alltid ur stickkontakten från vägguttaget innan du gör någon justering eller byter tillbehör**
- Använd helt utrullade och säkra förlängningssladdar med kapacitet på 16 A
- **Asbesthaltigt material får inte bearbetas** (asbest anses vara cancerframkallande)
- Viss typ av damm, exempelvis färg som innehåller bly, vissa träsorter, mineraler och metaller kan vara hälsovådliga om de inhaleras (hudkontakt eller inhalering kan ge allergisk reaktion och/eller luftvägsproblem/sjukdom hos personer i närheten); **använd andningsskydd och arbeta med en dammuppsamlare om sådan anslutning finns**
- Vissa typer av damm är klassificerade så som carcinogena (t.ex. ek- och björkdamm) särskilt i kombination med tillsatser för träbehandling; **använd andningsskydd och arbeta med en dammuppsamlare om sådan anslutning finns**
- Följ de nationella krav, som finns angående damm, för de material du skall arbeta med

FÖRE ANVÄNDNINGEN

- Kontrollera alltid att den tillförda strömtypen stämmer mot spänningen som anges på maskinens märkplåt
- Undvik skador genom att ta bort skruvar, spikar eller andra föremål ur arbetsstycket; ta dem bort innan du startar ett arbete
- **Använd lämpliga detektorer för lokalisering av dolda försörjningsledning eller konsultera lokalt distributionsföretag** (kontakt med elledning kan förorsaka brand och elstöt; en skadad gasledning kan leda till explosion; borring i vattenledning kan förorsaka saksador eller elstöt)
- **Sätt fast arbetsstycket** (ett arbetsstycke fastsatt med skruvtvingar eller i ett skruvstöd är mera stabilt än om det hålls fast för hand)
- Använd aldrig verktyget om sladden är skadad; den måste bytas mot en särskilt utformad sladd som finns via serviceorganisationen.

TILLBEHÖR

- SKIL kan endast garantera att maskinen fungerar felfritt om originaltillbehör används
- Använd endast tillbehör vilkas tillåtna varvtal åtminstone motsvarar maskinens högsta tomgångsvarvtal

UNDER ANVÄNDNINGEN

- Håll alltid sladden på säkert avstånd från rörliga maskindelar
- Om borr-bit tillfälligt skulle blockera (orsaka en ryckig och farlig reaktion), stäng genast av maskinen
- Var medveten om den kraft som uppstår i händelse av blockering (speciellt när du borrar i metaller); **använd alltid extrahandtaget G** och se till att du står stadigt
- I händelse av onormala elektriska eller mekaniska störningar, stäng genast av maskinen och dra ur stickkontakten
- Skadas eller kapas nåtsladden under arbetet, rör inte vid sladden utan dra genast ut stickkontakten

EFTER ANVÄNDNINGEN

- När du ställer ifrån dig maskinen måste motorn vara fränslagen och de rörliga delarna ska ha stannat fullständigt

FÖRKLARING AV SYMBOLERNA PÅ VERKTYGET

- ③ Läs bruksanvisningen före användning
- ④ Dubbel isolering (ingen jordning krävs)

- ⑤ Maskinen får inte kastas i hushållsoporna

ANVÄNDNING

- Till/från ⑥
- Låsning av strömbrytare för kontinuerlig drift ⑦
- Varvtalsreglering för mjukstart ⑧
- Justering av maximalvarvtalet ⑨
Med ratten C kan maximalvarvtalet justeras steglöst från lågt till högt
 - starta maskinen
 - läs strömbrytaren
 - vrid ratten C för att välja rätt maximalvarvtal
- Mekaniskt växelval ⑩
 - ställ in omkopplaren E på önskat varvtal**! påverka växellägesomkopplaren när maskinen går sakta**
 - 1 = LÅG HASTIGHET
 - högt vridmoment
 - för borring av stora diametrar
 - för gångskärning
 - 2 = HÖG HASTIGHET
 - lågt vridmoment
 - för borring av små diametrar
- Reversering av rotationsriktningen ⑪
 - om inte vänster/höger är inställt i rätt läge, kan inte strömbrytaren A ② tryckas in**! ändra rotationsriktningen när maskinen är helt stilla**
- Normal borring eller slagborring ⑫
! välj borrfunktion endast då maskinen är avstängd och kontakten urdragen
- Byte av bits ⑬
 - sätt in bitsen så djupt som möjligt i chucken**! använd aldrig bits med trasig axel**
- Justering av bordrjupet ⑭
- Fattning och styrning av maskinen ⑮
 - **använd alltid extrahandtaget G** (kan justeras enligt bilden)**! under arbetet, håll alltid verktyget i det grå greppet**
 - håll ventilationsöppningarna ej övertäckta
 - lägg inte för mycket tryck på verktyget; låt verktyget göra arbetet åt dig

ANVÄNDNINGSTIPS

- Använd rätt bits ⑯
! använd endast skarpa bits
- För borring i betong eller sten krävs ett jämnt tryck på maskinen
- När du borrar i järnmetaller
 - förborra ett mindre hål då ett större behövs
 - olja in borren emellanåt
- Splinterfri borring i trä ⑰
- Dammfri borring i vägg ⑱
- Dammfri borring i tak ⑲
- Borring i kakel utan att slinta ⑳
- Besök www.skil.com för mer information

UNDERHÅLL / SERVICE

- Det här verktyget är inte avsedd för yrkesmässig användning
- Håll alltid din maskin och sladden ren (speciellt ventilationsöppningarna H ②)
! drag ur stickkontakten innan rengöring

- Om i elverket trots exakt tillverkning och sträng kontroll störning skulle uppstå, bör reparation utföras av auktoriserad serviceverkstad för SKIL elverktyg
 - sänd in verktyget i **odemonterat skick** tillsammans med inköpsbevis till försäljaren eller till närmaste SKIL serviceverkstad (adresser till servicestationer och sprängskisser av maskiner finns på www.skil.com)
- Observera att skada till följd av ovarsamhet eller överbelastning inte täcks av garantin (för SKIL garantivillkor gå till www.skil.com eller fråga återförsäljaren)

MILJÖ

- **Elektriska verktyg, tillbehör och förpackning får inte kastas i hushållssoptorna** (gäller endast EU-länder)
 - enligt direktivet 2012/19/EG som avser äldre elektrisk och elektronisk utrustning och dess tillämpning enligt nationell lagstiftning ska uttjänta elektriska verktyg sorteras separat och lämnas till miljövänlig återvinning
 - symbolen ⑤ kommer att påminna om detta när det är tid att kassera

LJUD / VIBRATION

- Det här verktygets ljudtrycksnivå som mätts enligt EN 60745 är 94,2 dB(A), ljudeffektnivån är 105,2 dB(A) (osäkerhet K = 3 dB) och vibrationen * (triax vektorsumma; osäkerhet K = 1,5 m/s²)
*** vid borring i metall < 2,5 m/s²**
*** vid slagborring i betong 11,1 m/s²**
- Vibrationsemissionsvärdet har uppmätts enligt ett standardiserat test i enlighet med EN 60745; detta värde kan användas för att jämföra vibrationen hos olika verktyg och som en ungefärlig uppskattning av hur stor vibration användaren utsätts för när verktyget används enligt det avsedda syftet
 - om verktyget används på ett annat än det avsedda syftet eller med fel eller dåligt underhållna tillbehör kan detta drastiskt **öka** vibrationsnivån
 - när verktyget stängs av eller är på men inte används, kan detta avsevärt **minska** vibrationsnivån**! skydda dig mot vibration genom att underhålla verktyget och dess tillbehör, hålla händerna varma och styra upp ditt arbetssätt**

DK

Slagboremaskine

6745

INLEDNING

- Værktøjet er beregnet til slagboring i tegl samt til boring i træ, metal, keramik og kunststof
- Dette værktøj er ikke beregnet til professionelt brug
- Læs og gem denne betjeningsvejledning ③

TEKNISKE DATA ①

VÆRKTØJETS DELE ②

- A Afbryder til tænd/sluk og regulering af omdrejningstal
- B Knap til fastlåsning af afbryderen
- C Hjul til justering af maximal-hastighed
- D Omskifter til ændring af omdrejningsretningen

- E Gearomskifter
- F Omskifter for valg af boringsindstilling
- G Støttehåndtag
- H Ventilationshuller

SIKKERHED

GENERELLE SIKKERHEDSINSTRUKSER FOR EL-VÆRKTØJ

⚠ ADVARSEL Læs alle sikkerhedsadvarsler, instruktioner, illustrationer og specifikationer, der leveres med dette elektriske værktøj. Hvis alle instruktioner opført herunder ikke følges, kan det medføre elektrisk stød, brand og/eller alvorlige kvæstelser.

Gem alle advarsler og instruktioner til senere brug.

Begrebet "elværktøj" i advarselne refererer til elværktøj, der kører på lysnettet (med netkabel) samt batteridrevet værktøj (uden netkabel).

1) SIKKERHED PÅ ARBEJDSPLADSEN

- a) **Sørg for, at arbejdsområdet er rent og ryddeligt.** Uorden eller uoplyste arbejdsområder øger faren for uheld.
- b) **Brug ikke elværktøjet i eksplosionstruede omgivelser, hvor der er brændbare væsker, gasser eller støv.** Elværktøj kan slå gnister, der kan antænde støv eller dampe.
- c) **Sørg for, at andre personer og ikke mindst børn holdes væk fra arbejdsområdet, når el-værktøjet er i brug.** Hvis man distraheres, kan man miste kontrollen over elværktøjet.

2) ELEKTRISK SIKKERHED

- a) **Elværktøjets stik skal passe til kontakten. Stikket må under ingen omstændigheder ændres. Brug ikke adapterstik sammen med jordforbundet elværktøj.** Uændrede stik, der passer til kontakterne, nedsætter risikoen for elektrisk stød.
- b) **Undgå kropskontakt med jordforbundne overflader som f.eks. rør, radiatorer, komfurer og køleskabe.** Hvis din krop er jordforbundet, øges risikoen for elektrisk stød.
- c) **Elværktøjet må ikke udsættes for regn eller fugt.** Indtrængning af vand i et elværktøj øger risikoen for elektrisk stød.
- d) **Brug ikke ledningen til formål, den ikke er beregnet til. Du må aldrig bære elværktøjet i ledningen, hænge elværktøjet op i ledningen eller rykke i ledningen for at trække stikket ud af kontakten. Beskyt ledningen mod varme, olie, skarpe kanter eller maskindele, der er i bevægelse.** Beskadigede eller udviklede ledninger øger risikoen for elektrisk stød.
- e) **Hvis elværktøjet benyttes i det fri, må der kun benyttes en forlængerledning, der er egnet til udendørs brug.** Brug af forlængerledning til udendørs brug nedsætter risikoen for elektrisk stød.
- f) **Hvis det ikke kan undgås at bruge elværktøjet i fugtige omgivelser, skal der bruges et HFI-relæ.** Brug af et HFI-relæ reducerer risikoen for at få elektrisk stød.

3) PERSONLIG SIKKERHED

- a) **Det er vigtigt at være opmærksom, se, hvad man laver, og bruge el-værktøjet fornuftigt. Brug ikke**

noget el-værktøj, hvis du er træt, har nydt alkohol eller er påvirket af medikamenter eller euforiserende stoffer. Få sekundens uopmærksomhed ved brug af el-værktøjet kan føre til alvorlige personskader.

- b) **Brug beskyttelsesudstyr og hav altid beskyttelsesbriller på.** Brug af sikkerhedsudstyr som f.eks. støvmaske, skridsikret fodtøj, beskyttelseshjelm eller høreværn afhængig af maskintype og anvendelse nedsætter risikoen for personskader.
 - c) **Undgå utilsigtet igangsætning. Kontrollér, at el-værktøjet er slukket, før du tilslutter det til strømtilførslen og/eller akkuen, løfter eller bærer det.** Undgå at bære el-værktøjet med fingeren på afbryderen og sørg for, at el-værktøjet ikke er tændt, når det slutes til nettet, da dette øger risikoen for personskader.
 - d) **Gør det til en vane altid at fjerne indstillingsværktøj eller skruenøgle, før el-værktøjet tændes.** Hvis et stykke værktøj eller en nøgle sidder i en roterende maskindel, er der risiko for personskader.
 - e) **Undgå en unormal legemssposition. Sørg for at stå sikkert, mens der arbejdes, og kom ikke ud af balance.** Dermed har du bedre muligheder for at kontrollere el-værktøjet, hvis der skulle opstå uventede situationer.
 - f) **Brug egnet arbejdstøj. Undgå løse bekædningsgenstande eller smykker. Hold hår og tøj væk fra dele, der bevæger sig.** Dele, der er i bevægelse, kan gribe fat i løstsiddende tøj, smykker eller langt hår.
 - g) **Hvis støvudsugnings- og opsamlingsudstyr kan monteres, er det vigtigt, at dette tilsluttes og benyttes korrekt.** Brug af en støvsugning kan reducere støvmængden og dermed den fare, der er forbundet støv.
 - h) **Selvom du kender værktøjet godt og er vant til at bruge det, skal du alligevel være opmærksom og overholde sikkerhedsanvisningerne.** Et øjeblikvis uopmærksomhed kan medføre alvorlige personskader.
- #### 4) OMHYGGELIG OMGANG MED OG BRUG AF EL-VÆRKTØJ
- a) **Undgå overbelastning af el-værktøjet. Brug altid et el-værktøj, der er beregnet til det stykke arbejde, der skal udføres.** Med det passende el-værktøj arbejder man bedst og mest sikkert inden for det angivne effektområde.
 - b) **Brug ikke et el-værktøj, hvis afbryder er defekt.** Et el-værktøj, der ikke kan startes og stoppes, er farligt og skal repareres.
 - c) **Træk stikket ud af stikkontakten og/eller fjern akkuen, hvis den er aftagelig, før maskinen indstilles, før skift af tilbehørsdele eller før el-værktøjet lægges til opbevaring.** Disse sikkerhedsforanstaltninger forhindrer utilsigtet start af el-værktøjet.
 - d) **Opbevar ubenyttet el-værktøj uden for børns rækkevidde. Lad aldrig personer, der ikke er fortrolige med el-værktøjet eller ikke har gennemlæst disse instrukser, benytte el-værktøjet.** El-værktøj er farligt, hvis det benyttes af ukyndige personer.
 - e) **Vedligehold el-værktøj og tilbehørsdele. Kontroller, om bevægelige maskindele fungerer korrekt og ikke sidder fast, og om delene er brækket eller**

beskadiget, således at el-værktøjets funktion påvirkes. Få beskadigede dele repareret, inden el-værktøjet tages i brug. Mange uheld skyldes dårligt vedligeholdte el-værktøjer.

- f) **Sørg for, at skæreværktøjer er skarpe og rene.** Omhyggeligt vedligeholdte skæreværktøjer med skarpe skærekanter sætter sig ikke så hurtigt fast og er nemmere at føre.
 - g) **Brug el-værktøj, tilbehør, indsatsværktøj osv. iht. disse instrukser. Tag hensyn til arbejdsforholdene og det arbejde, der skal udføres.** Anvendelse af el-værktøjet til formål, som ligger uden for det fastsatte anvendelsesområde, kan føre til farlige situationer.
 - h) **Hold håndtag og gribeblader tørre, rene og fri for olie og smørefedt.** Hvis håndtag og gribeblader er glatte, kan værktøjet ikke håndteres og styres sikkert, hvis der sker noget uventet.
- 5) **SERVICE**
- a) **Sørg for, at el-værktøj kun reparerer af kvalificerede fagfolk og at der kun benyttes originale reservedele.** Dermed sikres størst mulig maskinsikkerhed.

SIKKERHEDSINSTRUKSER FOR SLAGBOREMASKINE

- 1) **SIKKERHEDSANVISNINGER FOR ALT ARBEJDE**
 - a) **Bær høreværn ved slagboring.** Eksponering for støj kan forårsage høreskader.
 - b) **Brug støttegrebet/grebene.** Manglende kontrol kan medføre personskader.
 - c) **Hold elværktøjet i de isolerede greb, når der udføres arbejde, hvor skæretilbehøret eller skrueene kan komme i berøring med skjulte ledninger eller deres egen ledning.** Skæretilbehør eller skrueer, der kommer i kontakt med en spændingsførende ledning, kan også sætte eksponerede metaldele på elværktøjet under spænding, hvilket kan give brugeren elektrisk stød.
- 2) **SIKKERHEDSANVISNINGER VED ANVENDELSE AF LANGE BOREBITS**
 - a) **Arbejd aldrig med højere hastighed end den maksimale hastighedsangivelse for borebitten.** Ved højere hastigheder kan borebitten bøje, hvis den får lov til at rotere frit uden kontakt med arbejdsemnet, hvilket medfører personskader.
 - b) **Start altid boringen ved lav hastighed og med bittens spids i kontakt med arbejdsemnet.** Ved højere hastigheder kan borebitten bøje, hvis den får lov til at rotere frit uden kontakt med arbejdsemnet, hvilket medfører personskader.
 - c) **Påfør kun tryk i direkte linje med bittens og anvend ikke for kraftigt tryk.** Bits kan bøje som følge af brud eller manglende kontrol, hvilket kan medføre personskader.

GENERELT

- Dette værktøj må ikke bruges af personer under 16 år
- **Fjern altid først stikket fra kontakten, før De foretager nogle ændringer eller skifter tilbehør**
- Anvend helt udrullede og sikre forlængerledninger med en kapacitet på 16 A
- **Bearbejd ikke asbestholdigt materiale** (asbest er kræftfremkaldende)
- Støv fra materiale som f.eks. maling, der indeholder bly, nogle træsorter, mineraler og metal kan være skadeligt (kontakt med eller indånding af støvet kan forårsage allergiske reaktioner og/eller sygdomme i

luftvejene hos den, der anvender værktøjet, eller hos omkringstående); **bær en støvmaske og arbejd med en støvudsugningsanordning, hvor en sådan kan sluttes til**

- Visse slags støv er klassificeret som kræftfremkaldende (som f.eks. støv fra eg og bøg) især i forbindelse med tilsætningsstoffer til træbehandling; **bær en støvmaske og arbejd med en støvudsugningsanordning, hvor en sådan kan sluttes til**
- Følg de nationale krav, hvad angår støv, for de materialer, du ønsker at arbejde med

INDEN BRUG

- Kontrollér altid at forsyningsspændingen er den samme som den spænding, der er anført på værktøjets navneskilt
- Undgå skader forårsaget af skrueer, som eller andre materialer i arbejdsstykket; fjern disse før De begynder at arbejde
- **Anvend egnede søgeinstrumenter til at finde frem til skjulte forsyningsledninger eller kontakt det lokale forsyningselskab** (kontakt med elektriske ledninger kan føre til brand og elektrisk stød; beskadigelse af en gasledning kan føre til eksplosion; brud på et vandrør kan føre til materiel skade eller elektrisk stød)
- **Fastgør emnet** (det er sikrere at holde emner i en fastgøringsanordning eller skruestik end med hånden)
- Anvend aldrig værktøjet, hvis ledningen er beskadiget. Den skal udskiftes med en specielt forberedt ledning, der kan fås gennem kundeservice.

TILBEHØR

- SKIL kan kun sikre en korrekt funktion af værktøjet, hvis der benyttes originalt tilbehør
- Der må kun benyttes tilbehør, hvis godkendte omdrejningstal er mindst så højt som værktøjets max. omdrejningstal i ubelastet tilstand

UNDER BRUG

- Hold altid ledningen væk fra værktøjets bevægelige dele
- Hvis borebit blokerer uventet (førende til en rykagtig farlig reaktion), skal værktøjet straks afbrydes
- Vær opmærksom på de opstående kræfter af blokering (især ved boring i metal); **anvend altid støttegrebet G** og sørg for at stå sikkert
- I tilfælde af elektrisk eller mekanisk fejlfunktion skal afbryderen straks afbrydes og stikket tages ud af kontakten
- Hvis kablet beskadiges eller skæres over under arbejdet, ikke berør kablet, og straks træk ud stikket

EFTER BRUG

- Efter endt arbejde skal afbryderen afbrydes og alle bevægelige dele være stoppet før værktøjet sættes til side

FORKLARING TIL SYMBOLERNE PÅ VÆRKTØJET

- ③ Læs instruktionen inden brug
- ④ Dobbelt isolering (jordforbindelse unødvendig)
- ⑤ Værktøj må ikke bortskaffes som almindeligt affald

BETJENING

- Tænd/sluk ⑥
 - Fastfåsning af afbryderen til vedvarende drift ⑦
 - Regulering af omdrejningstal til blød start ⑧
 - Justering af maksimal-hastighed ⑨
- Ved hjælp af hjulet C kan maksimalhastigheden justeres trinløst fra lav til høj
- tænd værktøjet
 - lås strømbryteren

- drej hjulet C til den ønskede maximal-hastighed er opnået
- Mekanisk gearvalg ¹⁰
 - stil omskifteren E på ønskede omdrejningstal
- ! **tryk på gearomskifteren mens værktøjet kører langsomt**
- 1 = LAV OMDREJNINGSTAL
 - stor trækraft
 - for boring ved store diametre
 - for gevindskæring
- 2 = HØJ OMDREJNINGSTAL
 - lavere trækraft
 - for boring ved små diametre
- Ændring af omdrejningsretningen ¹¹
 - afbryderen A ² kan ikke aktiveres, hvis retningsskifteren ikke er indstillet korrekt
- ! **ændre kun omdrejningsretningen når værktøjet er standstet helt**
- Normal boring eller slagboring ¹²
 - ! **vælg kun borefunktion når værktøjet er slukket og stikket er taget ud af stikkontakten**
- Ombytning af bits ¹³
 - indsæt bit så dybt som muligt i borepatronen
- ! **brug ikke bits med beskadiget skaft**
- Indstilling af boreddyben ¹⁴
- Håndtering og styring af værktøjet ¹⁵
 - **anvend altid støttegrebet G** (kan justeres som vist)
 - ! **under arbejde, hold altid om værktøjet på de grå markerede grebsområde(r)**
 - hold ventilationshullerne udækkede
 - pres ikke for hårdt med værktøjet; lad værktøjet gøre arbejdet for dig

GODE RÅD

- Brug rigtige bits ¹⁶
 - ! **brug kun skarpe bits**
- Ved boring i beton eller mur bør der bruges et konstant tryk
- Ved boring i jernholdige metaller
 - forbor et mindre hul, når et stort hul skal bores
 - sørg for at smøre boreet en gang imellem med olien
- Splintfri boring i træ ¹⁷
- Støvfri boring i vægge ¹⁸
- Støvfri boring i lofter ¹⁹
- Boring i fliser uden udskridning ²⁰
- Se yderligere oplysninger på www.skil.com

VEDLIGEHODELSE/SERVICE

- Dette værktøj er ikke beregnet til professionelt brug
- Hold værktøjet og ledningen ren (især ventilationshullerne H ²)
 - ! **træk stikket ud før rensning**
- Skulle elværktøjet trods omhyggelig fabrikation og kontrol skulle holde op med at fungere, skal reparationen udføres af et autoriseret serviceværksted for SKIL-elektroværktøj
 - send det **ikke adskilte** værktøj sammen med et købsbevis til forhandleren eller nærmeste SKIL-serviceværksted (adresser og reservedelstegning af værktøjet findes på www.skil.com)
- Husk, at beskadigelse som følge af overbelastning eller forkert håndtering af værktøjet ikke er omfattet af garantien (se www.skil.com vedrørende SKIL-garantibetingelserne, eller spørg din forhandler)

MILJØ

- **Elværktøj, tilbehør og emballage må ikke bortskaffes som almindeligt affald** (kun for EU-lande)
 - i henhold til det europæiske direktiv 2012/19/EF om bortskaffelse af elektriske og elektroniske produkter og gældende national lovgivning, skal brugt elværktøj indsamles separat og bortskaffes på en måde, der skåner miljøet mest muligt
 - symbolet ⁵ erindrer dig om dette, når udskiftning er nødvendig

STØJ / VIBRATION

- Målt i henhold til EN 60745 er lydtryksniveauet for dette værktøj 94,2 dB(A) lydeffektniveauet 105,2 dB(A) (usikkerhed K = 3 dB), og vibrationen * (triax vector sum; usikkerhed K = 1.5 m/s²)
 - * ved boring i metal < 2.5 m/s²
 - * ved slagboring i beton 11,1 m/s²
- Vibrationsniveauet er målt i henhold til den standardiserede test som anført i EN 60745. Det kan benyttes til at sammenligne to stykker værktøj og som en foreløbig bedømmelse af udsættelsen for vibrationer, når værktøjet anvendes til de nævnte form
 - anvendes værktøjet til andre formål eller med andet eller dårligt vedligehold tilbehør, kan dette **øge** udsættelsesniveauet betydeligt
 - de tidsrum, hvor værktøjet er slukket, eller hvor det kører uden reelt at udføre noget arbejde, kan **reducere** udsættelsesniveauet betydeligt
- ! **beskyt dig selv imod virkningerne af vibrationer ved at vedligeholde værktøjet og dets tilbehør, ved at holde dine hænder varme og ved at organisere dine arbejdsmønstre**

N

Slagbormaskin

6745

INTRODUKSJON

- Dette værktøjet er beregnet til slagboring i murstein og dessuten til boring i træ, metall, keramikk og kunststoff
- Dette værktøjet er ikke beregnet på professionell bruk
- Les og ta vare på denne brukerveiledningen ³

TEKNISKE DATA ¹

VERKTØYELEMENTER ²

- A Bryter til av/på og turtallsregulering
- B Knapp til låsing av bryteren
- C Hjul for maksimumshastighetsregulering
- D Bryter til endring av dreieretning
- E Girvalgryter
- F Bryter til valg av borefunksjon
- G Støttehåndtak
- H Ventilasjonsåpninger

SIKKERHET

GENERELLE ADVARSLER FOR ELEKTROVERKTØY

⚠ ADVARSEL Les alle sikkerhetsadvarsler, instruksjoner, illustrasjoner og spesifikasjoner som

følger med dette elektroverktøyet. Hvis du unnlater å følge noen av instruksjonene som er listet opp ovenfor, kan det føre til elektrisk støt, brann og/eller alvorlige personskader.

Ta godt vare på alle advarslene og informasjonene.

Det nedenstående anvendte uttrykket "elektroverktøy" gjelder for strøm-drevne (med ledning) og batteridrevne elektroverktøy (uten ledning).

1) SIKKERHET PÅ ARBEIDSPLASSEN

- Hold arbeidsområdet rent og ryddig.** Rotete arbeidsområder eller arbeidsområder uten lys kan føre til ulykker.
- Ikke arbeid med elektroverktøyet i eksplosjonsfarlige atmosfærer – der det befinner seg brennbare væsker, gass eller støv.** Elektroverktøy lager gnister som kan antenne støv eller damper.
- Hold barn og andre personer unna når elektroverktøyet brukes.** Hvis du blir forstyrret under arbeidet, kan du miste kontrollen over elektroverktøyet.

2) ELEKTRISK SIKKERHET

- Støpselet til elektroverktøyet må passe inn i stikkkontakten. Støpselet må ikke forandres på noen som helst måte. Ikke bruk adapterstøpsler sammen med jordede maskiner.** Bruk av støpsler som ikke er forandret på og passende stikkontakter reduserer risikoen for elektriske støt.
- Unngå kroppskontakt med jordede overflater slik som rør, ovner, komfyrer og kjøleskap.** Det er større fare ved elektriske støt hvis kroppen din er jordet.
- Hold elektroverktøyet unna regn eller fuktighet.** Dersom det kommer vann i et elektroverktøy, øker risikoen for elektriske støt.
- Ikke bruk ledningen til andre formål, f.eks. til å bære elektroverktøyet, henge den opp eller trekke den ut av stikkkontakten. Hold ledningen unna varme, olje, skarpe kanter eller maskindeler som beveger seg.** Med skadede eller opphopede ledninger øker risikoen for elektriske støt.
- Når du arbeider utendørs med et elektroverktøy, må du kun bruke en skjøteledning som er godkjent til utendørs bruk.** Når du bruker en skjøteledning som er egnet for utendørs bruk, reduseres risikoen for elektriske støt.
- Hvis det ikke kan unngås å bruke elektroverktøyet i fuktige omgivelser, må du bruke en jordfeilbryter.** Bruk av en jordfeilbryter reduserer risikoen for elektriske støt.

3) PERSONSIKKERHET

- Vær oppmerksom, pass på hva du gjør, gå fornuftig frem når du arbeider med et elektroverktøy. Ikke bruk elektroverktøyet når du er trett eller er påvirket av narkotika, alkohol eller medikamenter.** Et øyeblikks uoppmerksomhet ved bruk av elektroverktøyet kan føre til alvorlige skader.
- Bruk personlig verneutstyr og husk alltid å bruke vernebriller.** Bruk av personlig sikkerhetsutstyr som støvmaske, sklifaste arbeidssko, hjelm eller hørselvern – avhengig av type og bruk av elektroverktøyet – reduserer risikoen for skader.
- Unngå å starte verktøyet ved en feiltagelse. Forviss deg om at elektroverktøyet er slått av før du kobler**

det til strømmen og/eller batteriet, løfter det opp eller bærer det. Hvis du holder fingeren på bryteren når du bærer elektroverktøyet eller kobler elektroverktøyet til strømmen i innkoblet tilstand, kan dette føre til uhell.

- Fjern innstillingsverktøy eller skrunøkler før du slår på elektroverktøyet.** Et verktøy eller en nøkkel som befinner seg i en roterende maskindel, kan føre til skader.
- Ikke overvurder deg selv. Sørg for å stå stødig og i balanse.** Dermed kan du kontrollere elektroverktøyet bedre i uventede situasjoner.
- Bruk alltid egnede klær. Ikke bruk vide klær eller smykker. Hold hår og klær unna deler som beveger seg.** Løstsittende tøy, smykker eller langt hår kan komme inn i deler som beveger seg.
- Hvis det kan monteres støvsug- og oppsamlingsinnretninger, må du forvise deg om at disse er tilkoblet og brukes på korrekt måte.** Bruk av et støvsug/vakuum reduserer faren på grunn av støv.
- Selv når du er blitt vant til verktøyet, må du ikke bli sløv og ignorere sikkerhetsreglene for verktøyet.** En uforutsigelig handling kan forårsake alvorlig personskade i løpet av et brøkdels sekund.
- AKTSOM HÅNDTERING OG BRUK AV ELEKTROVERKTØY**
 - Ikke overbelast elektroverktøyet. Bruk et elektroverktøy som er beregnet til den type arbeid du vil utføre.** Med et passende elektroverktøy arbeider du bedre og sikrere i det angitte effektområdet.
 - Ikke bruk elektroverktøy med defekt på-/avbryter.** Et elektroverktøy som ikke lenger kan slås av eller på, er farlig og må repareres.
 - Trekk støpselet ut av stikkkontakten og/eller fjern batteriet (hvis demonterbart) før du utfører innstillinger på elektroverktøyet, skifter tilbehørsdeler eller legger elektroverktøyet bort.** Disse tiltakene forhindrer en utilsiktet startung av elektroverktøyet.
 - Elektroverktøy som ikke er i bruk må oppbevares utilgjengelig for barn. Ikke la elektroverktøyet brukes av personer som ikke er fortrolig med dette eller ikke har lest disse anvisningene.** Elektroverktøy er farlige når de brukes av uerfarne personer.
 - Vær nøye med vedlikeholdet av elektroverktøyet og tilbehøret. Kontroller om bevegelige maskindeler fungerer feilfritt og ikke klemmes fast, og om deler er brukket eller skadet, slik at dette innvirker på elektroverktøyet funksjon. La skadede deler repareres før elektroverktøyet brukes.** Dårlig vedlikeholdte elektroverktøy er årsaken til mange uhell.
 - Hold skjæreverktøyene skarpe og rene.** Godt stelte skjæreverktøy med skarpe skjær setter seg ikke så ofte fast og er lettere å føre.
 - Bruk elektroverktøy, tilbehør, verktøy osv. i henhold til disse anvisningene. Ta hensyn til arbeidsforholdene og arbeidet som skal utføres.** Bruk av elektroverktøy til andre formål enn det som er angitt kan føre til farlige situasjoner.
 - Hold håndtak og gripeflater tørre, rene og uten olje eller fett.** Glatte håndtak og gripeflater hindrer sikker håndtering og styring av verktøyet i uventede situasjoner.
- SERVICE**
 - Maskinen din skal alltid kun repareres av kvalifisert fagpersonale og kun med originale reservedeler.** Slik opprettholdes elektroverktøyet sikkerhet.

SIKKERHETSANVISNINGER FOR SLAGBORMASKINER

1) SIKKERHETSINSTRUKSJONER FOR ALLE BRUKSOMRÅDER

- Bruk hørselsvern ved slagboring.** Å være utsatt for støy kan medføre hørselstap.
- Bruk ekstrahåndtak(ene).** Tap av kontroll kan medføre personskader.
- Hold elektroverktøyet i de isolerte håndtakene når du utfører en operasjon hvor kutteverktøyet eller festene kan komme i kontakt med skjulte ledninger eller sin egen ledning.** Metalldelene på kutteverktøy eller fester som kommer i berøring med strømførende ledninger kan bli strømførende og brukeren kan få elektrisk støt.

2) SIKKERHETSANVISNINGER VED BRUK AV LANGE BORER

- Aldri overskrid boret maksimale hastighet.** Ved høyere hastigheter har boret større sjanse for å bøye seg hvis det kan rotere fritt uten kontakt med arbeidsstykket. Dette kan medføre personskader.
- Begynn alltid med å bore ved lav hastighet og med boret spiss i kontakt med arbeidsstykket.** Ved høyere hastigheter har boret større sjanse for å bøye seg hvis det kan rotere fritt uten kontakt med arbeidsstykket. Dette kan medføre personskader.
- Utøv trykk bare i en rett linje med boret og ikke anvend for mye trykk.** Borer kan bøye seg, dette resulterer i at boret brykker eller at man mister kontrollen. Dette kan medføre personskader.

GENERELL

- Verktøyet må ikke brukes av personer under 16 år
- Ta alltid ut kontakten før du forandrer innstillinger på sagen eller skifter tilbehør**
- Bruk helt utrullet og sikker skjoteledning med en kapasitet på 16 A
- Ikke bearbeid asbestholdig material** (asbest kan fremkalle kreft)
- Støv fra materialer som blyholdig maling, visse tresorter, mineraler og metall kan være skadelig (kontakt med eller inhalering av støv kan gi allergiske reaksjoner og/eller sykdommer i åndedretsorganene for brukeren eller personer i nærheten); **bruk støvmaske og arbeid med støvfjerningsutstyr når det er mulig**
- Visse typer støv er klassifisert som kreftfremkallende (som f.eks. støv fra eik og bøk), spesielt sammen med tilsetningsstoffer for trebehandling; **bruk støvmaske og arbeid med støvfjerningsutstyr når det er mulig**
- Følg de nasjonale krav, når det gjelder støv for de materialer du ønsker å arbeide med

FØR BRUK

- Sjekk alltid at tilført spenningen er den samme som oppgitt på verktøyets merkeplate
- Unngå skade pga. skruer, spiker eller andre elementer i arbeidsstykket; fjernes for man starter jobben
- Bruk egnede detektorer til å finne skjulte strøm-/gass-/vannledninger, eller spør hos det lokale el-/gass-/vannverket** (kontakt med elektriske ledninger kan medføre brann og elektrisk støt; skader på en gassledning kan føre til eksplosjon; inntrengning i en vannledning forårsaker materielle skader og kan medføre elektriske støt)
- Sett fast arbeidsstykket** (et arbeidsstykke som er sikret med klemmer, sitter sikrere enn om det holdes fast for hånd)

- Verktøyet skal aldri brukes hvis ledningen er skadet. Det må byttes ut med en spesialledning tilgjengelig via serviceavdelingen.

TILBEHØR

- SKIL kan kun garantere et feilfritt verktøy dersom originaltilbehør brukes
- Bruk kun tilbehør med et godkjent turtall som er minst like høyt som verktøyets høyeste tomgangsturtall

UNDER BRUK

- Hold alltid kabelaen borte fra bevegelige deler på verktøyet
- Hvis boret plutselig skulle blokkere (førende til en plutselig farlig reaksjon), slå øyeblikkelig av bryteren
- Ta hensyn til de krefter som da oppstår ved blokkering (spesielt ved boring i metaller); **bruk alltid sidehåndtaket G** og pass på å stå stødig
- I tilfelle en elektrisk eller mekanisk svikt, skal verktøyet med en gang slås av og støpslet trekkes ut
- Hvis kabelen skades eller kappes under arbeid må kabelen ikke berøres, men støpslet straks trekkes ut

ETTER BRUK

- Når du setter bort verktøyet må bryteren slås av, bevegelige deler må være helt stoppet

FORKLARING AV SYMBOLER PÅ VERKTØY

- Les instruksjonsboken for bruk
- Dobbeltisolert (ikke nødvendig med jordingsleder)
- Kast aldri verktøy i husholdningsavfallet

BRUK

- Av/på ⑥
- Låsing av bryteren for kontinuerlig drift ⑦
- Turtallsregulering for myk-start ⑧
- Variabel maksimumshastighet ⑨
- Maksimumshastighet kan justeres trinnløst fra lav til høy med hjelp av hjulet C
 - slå på verktøyet
 - lås bryteren
 - vri hjulet C for å velge den ønskede maksimumshastighet
- Mekanisk girvalg ⑩
 - sett bryteren E på ønsket turtall
 - ! bruk girvalg bryteren når verktøyet går sakte**
 - 1 = LAV HASTIGHET
 - høyt dreiemoment
 - for boring av stor diameter
 - for gjenging
 - 2 = HØY HASTIGHET
 - lavere dreiemoment
 - for boring av liten diameter
- Endring av rotasjonsretning ⑪
 - hvis ikke retningshendelen er riktig satt i venstre/høyre posisjon, sperres bryteren A ②
 - ! endre bare rotasjonsretning når verktøyet er helt stillestående**
- Normal boring contra slagboring ⑫
 - ! velg borefunksjon når verktøyet er slått av og støpslet trukket ut av kontakten**
- Bytting av bits ⑬
 - sett bit så dypt som mulig inn i chucken
 - ! bruk aldri bit med skadet tange**
- Justering av boreddybden ⑭
- Grep og styring av verktøyet ⑮
 - bruk alltid sidehåndtaket G** (kan justeres som vist)
 - ! under arbeid, hold verktøyet alltid i grått (gråe) grepsområde(r)**

- hold ventilasjonsåpningen utildekket
- ikke utøv for meget press på verktøyet, la verktøyet gjøre jobben for deg

BRUKER TIPS

- Bruk riktige bits ⁽¹⁶⁾
- ! **bruk alltid skarpe bits**
- For boring i betong eller sten er det nødvendig med et jevnt press på drillen
- Ved boring i jernholdige metaller
 - bor først et lite hull, når et stort hull er krevet
 - smør boret av og til med olje
- Splinterfri boring i tre ⁽¹⁷⁾
- Støvfri boring i vegger ⁽¹⁸⁾
- Støvfri boring i tak ⁽¹⁹⁾
- Boring i fliser uten skli ⁽²⁰⁾
- Se www.skil.com for mer informasjon

VEDLIKEHOLD / SERVICE

- Dette verktøyet er ikke beregnet på profesjonell bruk
- Hold alltid verktøyet og kabelen ren (spesielt ventilasjonshullene H ⁽²⁾)
- ! **dra ut støpselet før rengjøring**
- Hvis elektroverktøyet til tross for omhyggelige produksjons- og kontrollmetoder en gang skulle svikte, må reparasjonen utføres av et autorisert serviceverksted for SKIL-elektroverktøy
 - send verktøyet i **montert** tilstand sammen med kjøpebevis til forhandleren eller nærmeste SKIL servicesenter (adresser liksom service diagram av verktøyet finner du på www.skil.com)
- Vær klar over at skade som skyldes overbelastning eller feilbehandling av verktøyet ikke dekkes av garantien (for SKIL garantibetingelser se www.skil.com eller spør din forhandler)

MILJØ

- **Kast aldri elektroverktøy, tilbehør og emballasje i husholdningsavfallet** (kun for EU-land)
 - i henhold til EU-direktiv 2012/19/EF om kasserte elektriske og elektroniske produkter og direktivets iverksetting i nasjonal rett, må elektroverktøy som ikke lenger skal brukes, samles separat og returneres til et miljøvennlig gjenvinningsanlegg
 - symbolet ⁽⁵⁾ er påtrykt som en påminnelse når utskifting er nødvendig

STØY / VIBRASJON

- Målt i samsvar med EN 60745, lydtrykksnivået til dette verktøyet er 94,2 dB(A) og lydeffektnivået er 105,2 dB(A) (usikkerhet K = 3 dB) og vibrasjonen * (triaks vektorsum usikkerhet K = 1,5 m/s²)
 - * ved boring i metall < 2,5 m/s²
 - * ved slagboring i betong 11,1 m/s²
- Vibrasjonsnivået er målt i samsvar med en standardisert test som er angitt i EN 60745; den kan brukes til å sammenligne et verktøy med et annet, og som et foreløpig overslag over eksponering for vibrasjoner ved bruk av verktøyet til de oppgavene som er nevnt
 - bruk av verktøyet til andre oppgaver, eller med annet eller mangelfullt vedlikeholdt utstyr, kan gi en vesentlig økning av eksponeringsnivået

- tidsrommene når verktøyet er avslått eller når det går men ikke arbeider, kan gi en vesentlig **reduksjon** av eksponeringsnivået

! **beskytt deg selv mot virkningene av vibrasjoner ved å vedlikeholde verktøyet og utstyret, holde hendene varme og organisere arbeidsmåten din**

FIN

Iskuporakone

6745

ESITTELY

- Koneet on tarkoitettu iskuporaukseen tiileen sekä poraamiseen puuhun, metalliin, keramiikkaan ja muuviini
- Tätä työkalua ei ole tarkoitettu ammattikäyttöön
- Lue ja säilytä tämä ohjekirja ⁽³⁾

TEKNISET TIEDOT ⁽¹⁾

LAITTEEN OSAT ⁽²⁾

- A On/off- ja nopeudensäätökytkin
- B Kytkimen lukituksen painike
- C Pyörä maksiminopeuden säätämistä varten
- D Kytkin pyörintäsunnan vaihtamiseksi
- E Vaihteenvaihtin
- F Kytkin poraustoimintoa varten
- G Apukahva
- H Ilmanvaihto-aukot

TURVALLISUUS

YLEISET SÄHKÖTYÖKALUJEN TURVALLISUUTEEN LIITTYVÄT VAROITUKSET

VAROITUS: Pehedy kaikkiin tämän sähkötyökalun mukana toimitettuihin varoituksiin, ohjeisiin, kuviin ja teknisiin tietoihin. Jos kaikkia alla olevia ohjeita ei noudateta, seurauksena voi olla sähköisku, tulipalo ja/tai vakava loukkaantuminen.

Säilytä kaikki turvallisuus- ja muut ohjeet tulevaisuutta varten.

Turvallisuusohjeissa käytetty käsite "sähkötyökalu" käsittää verkkokäyttöisiä sähkötyökaluja (verkkojohdolla) ja akkukäyttöisiä sähkötyökaluja (ilman verkkojohtoa).

1) TYÖPAIKAN TURVALLISUUS

- a) **Pidä työskentelyalue puhtaana ja hyvin valaistuna.** Työpaikan epäjärjestys tai valaisemattomat työalueet voivat johtaa tapaturmiin.
- b) **Älä työskentele sähkötyökalulla räjähdysalttiissa ympäristössä, jossa on palavaa nestettä, kaasua tai pölyä.** Sähkötyökalu muodostaa kipinöitä, jotka saattavat sytyttää pölyn tai höyryt.
- c) **Pidä lapset ja sivulliset loitolla sähkötyökalua käyttäessäsi.** Voit menettää laitteesi hallinnan, huomiosi suuntautuu muualle.

2) SÄHKÖTURVALLISUUS

- a) **Sähkötyökalun pistotulpan tulee sopia pistorasiaan. Pistotulppaa ei saa muuttaa millään tavalla. Älä käytä mitään pistorasia-adaptoreita maadoitettujen**

- sähkötyökalujen kanssa. Alkuperäisessä kunnossa olevat pistotulpat ja sopivat pistorasiat vähentävät sähköiskun vaaraa.
- b) **Vältä koskettamasta maadoitettuja pintoja, kuten putkia, pattereita, liesiä tai jääkaappeja.** Sähköiskun vaara kasvaa, jos kehosi on maadoitettu.
 - c) **Älä aseta sähkötyökalua alttiiksi sateelle tai kosteudelle.** Veden tunkeutuminen sähkötyökalun sisään kasvattaa sähköiskun riskiä.
 - d) **Älä käytä verkkojohtoa väärin. Älä käytä sitä sähkötyökalun kantamiseen, vetämiseen tai pistotulpan irrottamiseen pistorasiasta. Pidä johto loitolla kuumuudesta, öljystä, terävistä reunoista ja liikkuvista osista.** Vahingoittuneet tai sotkeutuneet johdot kasvattavat sähköiskun vaaraa.
 - e) **Käyttäessäsi sähkötyökalua ulkona, käytä ainoastaan ulkoikäyttöön soveltuvaa jatkojohtoa.** Ulkoikäyttöön soveltuvan jatkojohdon käyttö pienentää sähköiskun vaaraa.
 - f) **Jos sähkötyökalun käyttö kosteassa ympäristössä ei ole vältettävissä, tulee käyttää maavuotokatkaisijaa.** Maavuotokatkaisijan käyttö vähentää sähköiskun vaaraa.
- ### 3) HENKILÖTURVALLISUUS
- a) **Ole valpas, kiinnitä huomiota työskentelyysi ja noudata tervettä järkeä sähkötyökalua käyttäessäsi. Älä käytä sähkötyökalua, jos olet väsynyt tai huumeiden, alkoholin tahi lääkkeiden vaikutuksen alaisena.** Hetken tarkkaamattomuus sähkötyökalua käytettäessä, saattaa johtaa vakavaan loukkaantumiseen.
 - b) **Käytä suojavarusteita. Käytä aina suojalaseja.** Henkilökohtaisen suojavarustuksen käyttö, kuten pölynaamarin, luistamattomien turvakengien, suojakypärän tai kuulonsuojaimien, riippuen sähkötyökalun lajista ja käyttötavasta, vähentää loukkaantumisriskiä.
 - c) **Vältä tahatonta käynnistämistä. Varmista, että sähkötyökalu on poiskytkettynä, ennen kuin liität sen sähköverkkoon ja/tai liität akun, otat sen käteen tai kannat sitä.** Jos kannat sähkötyökalua sormi käynnistyskytkimellä tai kytket sähkötyökalun pistotulpan pistorasiaan, käynnistyskytkimen ollessa käyntiasennossa, altistaa itsemi onnettomuuksille.
 - d) **Poista kaikki säätötyökalut ja ruuvit, ennen kuin käynnistät sähkötyökalun.** Työkalu tai avain, joka sijaitsee laitteen pyörivässä osassa, saattaa johtaa loukkaantumiseen.
 - e) **Älä yliarvioi itseäsi. Huolehdi aina tukevasta seisoma-asennosta ja tasapainosta.** Täten voit paremmin hallita sähkötyökalua odottamattomissa tilanteissa.
 - f) **Käytä tarkoitukseen soveltuvia vaatteita. Älä käytä löysiä työvaatteita tai koruja. Pidä hiukset ja vaatteet poissa liikkuvien osien ulottuvilta.** Väljät vaatteet, korut ja pitkät hiukset voivat takertua liikkuviin osiin.
 - g) **Jos pölynimu- ja keräilylaitteita voidaan asentaa, tulee sinun tarkistaa, että ne on liitetty ja että ne käytetään oikealla tavalla.** Pölynimulaitteiston käyttö vähentää pölyn aiheuttamia vaaroja.
 - h) **Työskentele keskittyneesti ja noudata aina turvallisuusmääräyksiä.** Hetkellinenkin huolimattomuus voi aiheuttaa vakavia vammoja.

4) SÄHKÖTYÖKALUJEN KÄYTTÖ JA HOITO

- a) **Älä ylikuormita laitetta. Käytä kyseiseen työhön tarkoitettua sähkötyökalua.** Sopivaa sähkötyökalua käyttäen työskentelet paremmin ja varmemmin tehoalueella, jolle sähkötyökalu on tarkoitettu.
 - b) **Älä käytä sähkötyökalua, jota ei voida käynnistää ja pysäyttää käynnistyskytkimestä.** Sähkötyökalu, jota ei enää voida käynnistää ja pysäyttää käynnistyskytkimellä, on vaarallinen ja se täytyy korjata.
 - c) **Irrota pistotulppa pistorasiasta ja/tai irrota akku (jos irrottava) sähkötyökalusta, ennen kuin suoritat säätöjä, vaihdat tarvikkeita tai viet sähkötyökalun varastoon.** Nämä turvatoimenpiteet pienentävät sähkötyökalun tahattoman käynnistysriskin.
 - d) **Säilytä sähkötyökalun poissa lasten ulottuvilta, kun niitä ei käytetä. Älä anna sellaisten henkilöiden käyttää sähkötyökalua, jotka eivät tunne sitä tai jotka eivät ole lukeneet tätä käyttöohjetta.** Sähkötyökalut ovat vaarallisia, jos niitä käyttävät kokemattomat henkilöt.
 - e) **Pidä sähkötyökalut ja tarvikkeet hyvässä kunnossa. Tarkista, että liikkuvat osat toimivat moitteettomasti, eivätkä ole puristuksessa sekä, että siinä ei ole murtuneita tai vahingoittuneita osia, jotka saattaisivat vaikuttaa haitallisesti sähkötyökalun toimintaan. Anna korjauttaa mahdolliset viat ennen käyttöönottoa.** Monen tapaturman syyt löytyvät huonosti huolletuista laitteista.
 - f) **Pidä leikkausterät terävinä ja puhtaina.** Huolellisesti hoidetut leikkaustyökalut, joiden leikkausreunat ovat teräviä, eivät tartu helposti kiinni ja niitä on helpompi hallita.
 - g) **Käytä sähkötyökaluja, tarvikkeita, vaihtotyökaluja jne. näiden ohjeiden mukaisesti. Ota tällöin huomioon työolosuhteet ja suoritettava toimenpide.** Sähkötyökalun käyttö muuhun kuin sille määrättyyn käyttöön, saattaa johtaa vaarallisiin tilanteisiin.
 - h) **Pidä kahvat ja kädensijat kuivina ja puhtaina (öljyttöminä ja rasvattomina).** Jos kahvat ja kädensijat ovat liukkaita, et pysty yllättävissä tilanteissa ohjaamaan ja hallitsemaan työkalua turvallisesti.
- #### 5) HUOLTO
- a) **Anna koulutettujen ammattihenkilöiden korjata sähkötyökalusi ja hyväksy korjauksiin vain alkuperäisiä varaosia.** Täten varmistat, että sähkötyökalu säilyy turvallisena.

ISKUPORAKONEEN TURVALLISUUSOHJEET

- 1) **TURVALLISUUSOHJEET KAIKKIIN TOIMINTOIHIN**
 - a) **Käytä kuulosuojaimia iskuporauksen aikana.** Melulle altistuminen saattaa heikentää kuuloa.
 - b) **Käytä apukahvaa/-kahvoja.** Kontrollin menettäminen voi johtaa loukkaantumiseen.
 - c) **Tartu sähkötyökaluun eristetyistä pinoista tehdessäsi työtä, jossa vaihtotyökalu tai ruuvit saattaisivat osua pillossa olevaan sähköjohtoon tai työkalun omaan johtoon.** Vaihtotyökalun tai ruuvien kosketus jännitteisiin johtoon voi saattaa sähkötyökalun metalliosat jännitteisiksi ja johtaa sähköiskuun.
- 2) **TURVALLISUUSOHJEET PITKIÄ PORANTERIA KÄYTTÄESSÄ**
 - a) **Älä koskaan käytä työskentelyssä suurempaa**

nopeutta kuin poran terän maksiminopeus.

Suuremmilla nopeuksilla terä vääntyy helposti, jos sen annetaan pyöriä vapaasti työkalupäleeseen koskematta, mikä voi johtaa loukkaantumiseen.

- b) **Aloita poraaminen aina pienellä nopeudella ja siten, että poran terän kärki koskettaa työkalupälettä.** Suuremmilla nopeuksilla terä vääntyy helposti, jos sen annetaan pyöriä vapaasti työkalupäleeseen koskematta, mikä voi johtaa loukkaantumiseen.
- c) **Kohdistu työkaluun painetta vain suorassa linjassa terän kanssa, äläkä käytä liikaa painetta.** Terät voivat vääntyä, mistä voi seurata rikkoutuminen tai kontrollin menettäminen, mikä taas voi johtaa loukkaantumiseen.

YLEISTÄ

- Tätä työkalua saavat käyttää vain 16 vuotta täyttäneet henkilöt
- **Irrota aina pistotulppa pistorasiasta, ennen kuin suoritat laitteelle mitään säätöjä tai vaihdat tarviketta**
- Käytä täysin rullaamattomia ja turvallisia jatkejohtoja, joiden kapasiteetti on 16 ampeeria
- **Älä koskaan työstä asbestipitoista ainetta** (asbestia pidetään karsinogeenisena)
- Materiaaleista, kuten lyijypitoinen maali, jotkut puulajit, mineraalit ja metalli, tuleva pöly voi olla vahingollista (kosketuksiin joutuminen pölyn kanssa tai sen sisään hengittäminen voi aiheuttaa käyttäjälle tai sivustakatsojille allergiareaktioita ja/tai hengitysvaivoja); **käytä pölynaamaria ja työskentele pölynpoistolaitteen kanssa, kun sellainen on liitettävissä**
- Tietyntyyppiset pölyt on luokiteltu karsinogeenisiksi (kuten tammi- ja pyökkipöly) erityisesti puun käsittelyyn käytettävien lisäaineiden yhteydessä; **käytä pölynaamaria ja työskentele pölynpoistolaitteen kanssa, kun sellainen on liitettävissä**
- Noudata maakohtaisia pölyyn liittyviä sääntöjä

ENNEN KÄYTTÖÄ

- Tarkista aina, että syöttöjännite on sama kuin työkalun nimilaatan osoittama jännite
- Vältä vaaralliset vahingot, jotka voivat aiheutua nauloista, ruuveista tai muista aineista työstettävässä materiaalissa; poista ne ennen työskentelyn aloittamista
- **Käytä sopivia etsintälaitteita piilossa olevien syöttöjohtojen paikallistamiseksi, tai käännä paikallisen jakelu-yhtiön puoleen** (kosketus sähköjohtoon saattaa johtaa tulipaloon ja sähköiskuun; kaasuputken vahingoittaminen saattaa johtaa räjähdykseen; vesijohtoon tunkeutuminen aiheuttaa aineellista vahinkoa tai saattaa johtaa sähköiskuun)
- **Kiinnitä työstettävä kappale** (kiinnittimeen tai puristimeen kiinnitetty työstettävä kappale pysyy tukevammin paikoillaan kuin käsin pidettäessä)
- Älä käytä työkalua, jonka johto on vioittunut; johto on vaihdettava erikoisvalmisteiseen johtoon, jonka voi hankkia mistä tahansa huolto-organisaatioon kuuluvasta liikkeestä.

VARUSTEET

- SKIL pystyy takaamaan työkalun moitteettoman toiminnan vain, kun käytetään alkuperäisiä tarvikkeita
- Käytä vain tarvikkeita, joiden sallittu kierrosluku on vähintään yhtä suuri kuin laitteen suurin tyhjäkäyntikierrosluku

KÄYTÖN AIKANA

- Pidä johto aina poissa työkalun liikkuvien osien läheisyydestä

- Jos poran terä juuttuu odottamatta (aiheuttaen äkillisen, vaarallisen reaktion), katkaise virta työkalusta välittömästi
- Tarkkaile valppaasti juuttumisen aiheuttamia seurauksia (varsinkin metalleja porattaessa); **käytä aina apukahvaa G** ja asetaudu tukevaan asentoon
- Jos huomaat sähköisen tai mekaanisen vian, sammuta kone heti ja irrota liitosjohto pistorasiasta
- Jos sähköjohto vahingoittuu tai katkeaa työn aikana ei johtoa saa koskettaa, vaan pistotulppa on välittömästi irrotettava pistorasiasta

KÄYTÖN JÄLKEEN

- Kun panet koneen pois, sammuta moottori ja varmista, että kaikki liikkuvat osat ovat pysähtyneet

TYÖKALUN SYMBOLIEN SELITYKSET

- ③ Lue käyttöohjeet ennen käyttöä
- ④ Kaksoiseristys (ei tarvita maajohtoa)
- ⑤ Älä hävitä konetta tavallisen kotitalousjätteen mukana

KÄYTTÖ

- Käynnistys/pysäytys ⑥
- Kytkimen lukitseminen jatkuvaa käyttöä varten ⑦
- Nopeudensäätö tasaista käynnistystä varten ⑧
- Maksiminopeuden säätö ⑨
- Maksiminopeus voidaan säätää portaattomasti alimmasta korkeimpaan säätöpyörästä C
 - käynnistä kone
 - lukitse kytkin
 - valitse maksiminopeus säätöpyörällä C
- Mekaaninen vaihtevaihtoa ⑩
 - aseta valitsin E haluamaasi kierrosluvun asentoon
- **! käytä vaihtevaihtoa kun kone pyörii hiljaa**
1 = HIDAS NOPEUS
 - suuri vääntömomentti
 - isojen reikien poraukseen
 - kierteitykseen2 = SUUREMPI NOPEUS
 - alhaisempi vääntömomentti
 - pienien reikien poraukseen
- Pyörintäsuunnan vaihto ⑪
 - jos säätöä ei ole oikein asetettu vasen/oikea -asentoon, kytke A ② ei voi käynnistää
- **! muuta pyörintäsuuntaa vain kun työkalu on täysin pysäytetty**
- Normaali poraus verrattuna iskuporaukseen ⑫
 - **! valitse poraustoiminto vain virran ollessa katkaistuna työkalusta ja kun kosketin on irrotettu pistorasiasta**
- Kärkien vaihto ⑬
 - aseta kärki mahdollisimman syväälle istukkaan
 - **! älä käytä kärkiä, joiden varsi on vahingoittunut**
- Porausvyydyden säätö ⑭
- Koneen pitäminen ja ohjaaminen ⑮
 - **käytä aina apukahvaa G** (voidaan säätää kuvan osoittamalla tavalla)
 - **! pidä työkalusta kiinni aina työskentelyn aikana harmaan värisestä kädensija(o)ista**
 - älä peitä ilmanvaihto-aukkoja
 - älä paina työkalua liian voimakkaasti; vaan anna työkalun tehdä työ puolestasi

VINKKEJÄ

- Käytä oikeantyyppisiä kärkiä ⑯
- **! käytä vain teräviä kärkiä**

- Porattaessa betoniin tai kiveen painetaan konetta tasaisesti
- Porattaessa rautametalleja
 - poraa ensin pienempi esireikä ja jatka sitten isommalla terällä
 - voitele poranterä ajoittain öljyllä
- Repimätön poraus puuhun 17
- Pölytön poraus seiniin 18
- Pölytön poraus kattoihin 19
- Poraus laattoihin luiskahtamatta 20
- Lisätietoja on tarjolla web-osoitteessa www.skil.com

HOITO / HUOLTO

- Tätä työkalua ei ole tarkoitettu ammattikäyttöön
- Pidä työkalu ja johto puhtaina (varmistaa erityisesti ilma-aukkojen puhtaus H 2)
- ! **irrota liitosjohto aina puhdistuksen ajaksi pistorasiasta**
- Jos sähkötyökalussa, huolellisesta valmistuksesta ja koestusmenettelystä huolimatta esiintyy vikaa, tulee korjaus antaa SKIL sopimushuollon tehtäväksi
 - toimita työkalu sitä osiin **purkamatta** lähimpään SKIL-huoltoon (osoitteet ja työkalun huoltokaava ovat tarjolla web-osoitteessa www.skil.com) ostotodiste mukaan liitettynä
- Ota huomioon, että takuu ei kata työkalun ylikuormituksesta tai väärästä käsittelystä johtuvia vahinkoja (katso SKILin takuuehdot osoitteesta www.skil.com tai kysy jälleenmyyjältä)

YMPÄRISTÖNSUOJELU

- **Älä hävitä sähkötyökalua, tarvikkeita tai pakkausta tavallisen kotitalousjätteen mukana** (koskee vain EU-maita)
 - vanhoja sähkö- ja elektroniikkalaitteita koskevan EU-direktiivin 2012/19/ETY ja sen maakohtaisten sovellusten mukaisesti käytetyt sähkötyökalut on toimitettava ongelmajätteen keräyspisteeseen ja ohjattava ympäristöstä väliseen kierrätykseen
 - symboli 5 muistuttaa tästä, kun käytöstä poisto tulee ajankohtaiseksi

MELU / TÄRINÄ

- Tämän työkalun standardin EN 60745 mukaisesti mitattu äänenpainotasoo on 94,2 dB(A) ja äänenvoimakkuus 105,2 dB(A) (epävarmuus K = 3 dB), ja tärinä * (triaxvektorisumma, epävarmuus K = 1.5 m/s²)
 - * metalliin porattaessa < 2,5 m/s²
 - * betoniin iskuportaessa 11,1 m/s²
- Tärinäsaiteilytasoo on mitattu standardin EN 60745 mukaisen standarditestin mukaisesti; sitä voidaan käyttää verratessa yhtä laitetta toiseen sekä alustavana tärinälle altistumisen arviona käytettäessä laitetta manituissa käyttötarkoituksissa
 - laitteen käyttö eri käyttötarkoituksiin tai erilaisten tai huonosti ylläpidettyjen lisälaitteiden kanssa voi **lisätä** merkittävästi altistumistasoa
 - laitteen ollessa sammuksissa tai kun se on käynnissä, mutta sillä ei tehdä työtä, altistumistasoo voi olla huomattavasti **pienempi**
- ! **suojaudu tärinän vaikutuksilta ylläpitämällä laite ja sen lisävarusteet, pitämällä kädet lämpiminä ja järjestämällä työmenetelmät**

E

Taladradora percutor

6745

INTRODUCCIÓN

- Esta herramienta ha sido proyectada para taladrar con percusión en ladrillo así como para taladrar sin percutor en madera, metal, cerámica y materiales sintéticos
- Esta herramienta no está concebida para uso profesional
- Lea y conserve este manual de instrucciones 3

DATOS TÉCNICOS 1

ELEMENTOS DE LA HERRAMIENTA 2

- A Interruptor para encendido/apagado y control de velocidad
- B Botón para bloquear el interruptor
- C Rueda para regular la velocidad máxima
- D Interruptor para invertir la dirección de giro
- E Selector de velocidad
- F Interruptor para seleccionar la función de taladrado
- G Empuñadura auxiliar
- H Ranuras de ventilación

SEGURIDAD

ADVERTENCIAS DE PELIGRO GENERALES PARA HERRAMIENTAS ELÉCTRICAS

⚠ ADVERTENCIA Lea todas las advertencias de seguridad, instrucciones, ilustraciones y especificaciones entregadas con esta herramienta eléctrica. El incumplimiento de alguna de las instrucciones que figuran a continuación puede ser causa de descargas eléctricas, incendios o lesiones graves.

Guardar todas las advertencias de peligro e instrucciones para futuras consultas.

El término "herramienta eléctrica" empleado en las siguientes advertencias de peligro se refiere a herramientas eléctricas de conexión a la red (con cable de red) y a herramientas eléctricas accionadas por acumulador (o sea, sin cable de red).

1) SEGURIDAD DEL PUESTO DE TRABAJO

- a) **Mantenga limpia y bien iluminada su área de trabajo.** El desorden o una iluminación deficiente en las áreas de trabajo pueden provocar accidentes.
- b) **No utilice la herramienta eléctrica en un entorno con peligro de explosión, en el que se encuentren combustibles líquidos, gases o material en polvo.** Las herramientas eléctricas producen chispas que pueden llegar a inflamar los materiales en polvo o vapores.
- c) **Mantenga alejados a los niños y otras personas de su área de trabajo al emplear la herramienta eléctrica.** Una distracción le puede hacer perder el control sobre la herramienta.

2) SEGURIDAD ELÉCTRICA

- a) **El enchufe de la herramienta eléctrica debe corresponder a la toma de corriente utilizada. No**

- es admisible modificar el enchufe en forma alguna. **No emplear adaptadores en herramientas eléctricas dotadas con una toma de tierra.** Los enchufes sin modificar adecuados a las respectivas tomas de corriente reducen el riesgo de una descarga eléctrica.
- b) **Evite que su cuerpo toque partes conectadas a tierra como tuberías, radiadores, cocinas y refrigeradores.** El riesgo a quedar expuesto a una descarga eléctrica es mayor si su cuerpo tiene contacto con tomas de tierra.
 - c) **No exponga las herramientas eléctricas a la lluvia o a condiciones de humedad.** Existe el peligro de recibir una descarga eléctrica si penetran líquidos en la herramienta eléctrica.
 - d) **No utilice el cable de red para transportar o colgar la herramienta eléctrica, ni tire de él para sacar el enchufe de la toma de corriente. Mantenga el cable de red alejado del calor, aceite, esquinas cortantes o piezas móviles.** Los cables de red dañados o enredados pueden provocar una descarga eléctrica.
 - e) **Al trabajar con la herramienta eléctrica en la intemperie utilice solamente cables de prolongación homologados para su uso en exteriores.** La utilización de un cable de prolongación adecuado para su uso en exteriores reduce el riesgo de una descarga eléctrica.
 - f) **Si el funcionamiento de una herramienta eléctrica en un lugar húmedo fuese inevitable, utilice un cortacircuito de fuga a tierra.** El uso de un cortacircuito de fuga a tierra reduce el riesgo de descarga eléctrica.
- ### 3) SEGURIDAD DE PERSONAS
- a) **Esté atento y emplee la herramienta eléctrica con prudencia. No utilice la herramienta eléctrica si estuviese cansado, ni bajo los efectos de alcohol, drogas o medicamentos.** El no estar atento durante el uso de una herramienta eléctrica puede provocarle serias lesiones.
 - b) **Utilice un equipo de protección personal y en todo caso unas gafas de protección.** El riesgo a lesionarse se reduce considerablemente si, dependiendo del tipo y la aplicación de la herramienta eléctrica empleada, se utiliza un equipo de protección adecuado como una mascarilla antipolvo, zapatos de seguridad con suela antideslizante, casco, o protectores auditivos.
 - c) **Evite una puesta en marcha fortuita. Asegurarse de que la herramienta eléctrica esté desconectada antes de conectarla a la toma de corriente y/o al montar el acumulador, al recogerla, y al transportarla.** Si transporta la herramienta eléctrica sujetándola por el interruptor de conexión/desconexión, o si introduce el enchufe en la toma de corriente con la herramienta eléctrica conectada, ello puede dar lugar a un accidente.
 - d) **Retire las herramientas de ajuste o llaves fijas antes de conectar la herramienta eléctrica.** Una herramienta o llave colocada en una pieza rotativa puede producir lesiones graves al accionar la herramienta eléctrica.
 - e) **Sea precavido. Trabaje sobre una base firme y mantenga el equilibrio en todo momento.** Ello le permitirá controlar mejor la herramienta eléctrica en caso de presentarse una situación inesperada.
 - f) **Lleve puesta una vestimenta de trabajo adecuada.**
- No utilice vestimenta amplia ni joyas. Mantenga su pelo y vestimenta alejados de las piezas móviles.** La vestimenta suelta, las joyas y el pelo largo se pueden enganchar con las piezas en movimiento.
- g) **Siempre que sea posible utilizar equipos de aspiración o captación de polvo, asegúrese que éstos estén montados y que sean utilizados correctamente.** El empleo de estos equipos reduce los riesgos derivados del polvo.
 - h) **No permita que la familiaridad ganada por el uso frecuente de la herramienta eléctrica lo deje creerse seguro e ignorar las normas de seguridad.** Una acción negligente puede causar lesiones graves en una fracción de segundo.
- ### 4) CUIDADO Y UTILIZACIÓN DE HERRAMIENTAS ELÉCTRICAS
- a) **No sobrecargue la herramienta eléctrica. Use la herramienta eléctrica prevista para el trabajo a realizar.** Con la herramienta eléctrica adecuada podrá trabajar mejor y con mayor seguridad dentro del margen de potencia indicado.
 - b) **No utilice herramientas eléctricas con un interruptor defectuoso.** Las herramientas eléctricas que no se puedan conectar o desconectar son peligrosas y deben repararse.
 - c) **Saque el enchufe de la red y/o retire el acumulador desmontable de la herramienta eléctrica, antes de realizar un ajuste, cambiar de accesorio o al guardar la herramienta eléctrica.** Esta medida preventiva reduce el riesgo de conectar accidentalmente la herramienta eléctrica.
 - d) **Guarde las herramientas eléctricas fuera del alcance de los niños y de las personas que no estén familiarizadas con su uso.** Las herramientas eléctricas utilizadas por personas inexpertas son peligrosas.
 - e) **Cuide la herramienta eléctrica y los accesorios con esmero. Controle si funcionan correctamente, sin atascarse, las partes móviles de la herramienta eléctrica, y si existen partes rotas o deterioradas que pudieran afectar al funcionamiento de la herramienta eléctrica. Si la herramienta eléctrica estuviese defectuosa haga repararla antes de volver a utilizarla.** Muchos de los accidentes se deben a herramientas eléctricas con un mantenimiento deficiente.
 - f) **Mantenga los útiles limpios y afilados.** Los útiles mantenidos correctamente se dejan guiar y controlar mejor.
 - g) **Utilice herramientas eléctricas, accesorios, útiles, etc. de acuerdo con estas instrucciones, teniendo en cuenta las condiciones de trabajo y la tarea a realizar.** El uso de herramientas eléctricas para trabajos diferentes de aquellos para los que han sido concebidas puede resultar peligroso.
 - h) **Mantenga las empuñaduras y las superficies de las empuñaduras secas, limpias y libres de aceite y grasa.** Las empuñaduras y las superficies de las empuñaduras resbaladizas no permiten un manejo y control seguro de la herramienta eléctrica en situaciones imprevistas.
- ### 5) SERVICIO
- a) **Únicamente haga reparar su herramienta eléctrica por un profesional, empleando exclusivamente piezas de repuesto originales.** Solamente así se mantiene la seguridad de la herramienta eléctrica.

INSTRUCCIONES DE SEGURIDAD PARA TALADROS PERCUTORES

1) INSTRUCCIONES DE SEGURIDAD PARA TODAS LAS OPERACIONES

- a) **Utilice protectores auditivos al taladrar con percusión.** El ruido intenso puede provocar sordera.
- b) **Utilice las empuñaduras auxiliares.** La pérdida de control puede ser causa de lesiones personales.
- c) **Sujete la herramienta eléctrica por las superficies de agarre aisladas cuando realice alguna operación en la que el accesorio de corte o las fijaciones puedan tocar conductores eléctricos ocultos o su propio cable.** El contacto del accesorio de corte o las fijaciones con conductores bajo tensión puede hacer que circule corriente por las partes metálicas expuestas de la herramienta eléctrica, lo que podría causar una descarga eléctrica al operario.

2) INSTRUCCIONES DE SEGURIDAD AL UTILIZAR BROCAS DE TALADRO LARGAS

- a) **Nunca realice trabajos a una velocidad superior a la velocidad nominal máxima de la broca de taladro.** A velocidades superiores, es probable que la broca se doble si se deja que gire libremente sin estar en contacto con la pieza de trabajo, pudiendo causar lesiones personales.
- b) **Siempre comience a taladrar a velocidad baja y con la punta de la broca en contacto con la pieza de trabajo.** A velocidades superiores, es probable que la broca se doble si se deja que gire libremente sin estar en contacto con la pieza de trabajo, pudiendo causar lesiones personales.
- c) **Aplique presión únicamente en línea con la broca y tenga cuidado de que no sea excesiva.** Las brocas pueden doblarse provocando la rotura o la pérdida de control, pudiendo causar lesiones personales.

GENERAL

- Esta herramienta no debe utilizarse por personas menores de 16 años
- **Desenchufar siempre la herramienta antes de realizar cualquier ajuste o cambiar algún accesorio**
- Utilice cables de extensión seguros y completamente desenrollados con una capacidad de 16 amperios
- **No trabaje materiales que contengan amianto** (el amianto es cancerígeno)
- El polvo del material, como la pintura que contiene plomo, algunas especies de madera, minerales y metal podrían ser dañinos (el contacto o inhalación del polvo podría producir reacciones alérgicas y trastornos respiratorios al operador o a otras personas que se encuentren en la zona); **utilice una máscara contra el polvo y trabaje con un dispositivo de extracción de polvo cuando lo conecte**
- Ciertos tipos de polvo están catalogados como cancerígenos (por ejemplo el polvo de roble y de haya) especialmente junto con aditivos para el acondicionamiento de la madera; **utilice una máscara contra el polvo y trabaje con un dispositivo de extracción de polvo cuando lo conecte**
- Siga la normativa nacional en cuanto a extracción de polvo, en función de los materiales que vayan a ser utilizados

ANTES DEL USO

- Compruebe siempre que la tensión de alimentación es la

misma que la indicada en la placa de características de la herramienta

- Evite los daños que puedan causar los tornillos, clavos y otros objetos sobre la pieza de trabajo; retírelos antes de empezar a trabajar
- **Utilice aparatos de detección adecuados para localizar posibles conductores o tuberías ocultas, o consulte a su compañía abastecedora** (el contacto con conductores eléctricos puede provocar una descarga eléctrica e incluso un incendio; al dañar una tubería de gas puede producirse una explosión; la perforación de una tubería de agua pueden causar daños materiales o una descarga eléctrica)
- **Asegure la pieza de trabajo** (una pieza de trabajo fijada con unos dispositivos de sujeción o en un tornillo de banco, se mantiene sujeta de forma mucho más segura que con la mano)
- Nunca utilice la herramienta si el cable está dañado; debe ser sustituido por un cable especialmente preparado disponible a través de la organización de asistencia.

ACCESORIOS

- SKIL únicamente puede garantizar un funcionamiento correcto de la herramienta al emplear accesorios originales
- Utilice únicamente accesorios cuyo límite de revoluciones permitido sea como mínimo igual a las revoluciones en vacío máximas de la herramienta

DURANTE EL USO

- Mantenga siempre el cable lejos de las partes móviles de la herramienta
- Si la broca se bloquea inesperadamente (causando una brusca y peligrosa reacción), desconectar la herramienta inmediatamente
- Tenga cuidado con las fuerzas resultantes del bloqueo (sobre todo al taladrar metales); **utilizar siempre el puño auxiliar G** y adopte una posición estable
- En el caso de que se produjera un mal funcionamiento eléctrico o mecánico, apague inmediatamente la herramienta y desconecte el enchufe
- Si llega a dañarse o cortarse el cable eléctrico durante el trabajo, no tocar el cable, sino extraer inmediatamente el enchufe de la red

DESPUÉS DEL USO

- Ponga atención al guardar su herramienta de que el motor esté apagado y las partes móviles se hayan detenido por completo

EXPLICACIÓN DE LOS SÍMBOLOS DE LA HERRAMIENTA

- ③ Lea el manual de instrucciones antes de utilizarla
- ④ Doble aislamiento (no requiere cable de tierra)
- ⑤ No deseche la herramienta junta con los residuos domésticos

USO

- Encendido/apagado ⑥
 - Bloqueo del interruptor para uso permanente ⑦
 - Control de velocidad para un arranque suave ⑧
 - Control de la velocidad máxima ⑨
- Con la rueda C puede regularse, sin escalonamientos, la velocidad máxima desde la posición más baja hasta la más alta
- ponga en marcha la herramienta
 - apriete el interruptor
 - gire la rueda C para seleccionar la máxima velocidad

- Selector de velocidad mecánico ⑩
 - coloque el selector E en la velocidad deseada
 - ! **accione el selector de velocidad mientras la herramienta marcha lentamente**
 - 1 = VELOCIDAD BAJA
 - par de apriete elevado
 - para taladrar grandes diámetros
 - para roscar de tornillo
 - 2 = GRAN VELOCIDAD
 - par de apriete inferior
 - para taladrar pequeños diámetros
- Inversión de la dirección de giro ⑪
 - si el inversor de giro no está adecuadamente colocado en la posición izquierda/derecha, el interruptor A ② no podrá ser activado
 - ! **sólo invierta la dirección de giro cuando la herramienta esté completamente parada**
- Taladrado sin percusión o taladrado con percusión ⑫
 - ! **seleccione sólo la función de taladrado cuando la herramienta está apagada y el enchufe desconectado**
- Cambio de brocas ⑬
 - introduzca la broca lo más profundo posible dentro del portabrocas
 - ! **no utilice brocas con un mago deteriorado**
- Regulación de la profundidad de perforación ⑭
- Sujeción y manejo de la herramienta ⑮
 - **utilizar siempre el puño auxiliar G** (puede ser ajustado de la forma ilustrada)
 - ! **durante el trabajo, sujete siempre la herramienta por la(s) zona(s) de empuñadura de color gris**
 - mantenga libres las ranuras de ventilación
 - no ejerza demasiada presión en la herramienta; deje que la herramienta haga su trabajo

CONSEJOS DE APLICACIÓN

- Utilice las brocas adecuadas ⑯
 - ! **utilice únicamente brocas afiladas**
- Para taladrar en hormigón y ladrillo mantenga continuamente la presión del taladro
- Al taladrar metales ferrosos
 - pretaladre antes un agujero pequeño
 - lubrique de cuando en cuando la broca con aceite
- Taladrar sin virutas en madera ⑰
- Taladrado sin polvo en paredes ⑱
- Taladrado sin polvo en techos ⑲
- Taladrado en azulejos sin resbalar ⑳
- Si desea más información, visite www.skil.com

MANTENIMIENTO / SERVICIO

- Esta herramienta no está concebida para uso profesional
- Mantenga limpio el cable eléctrico y la herramienta (sobre todo las ranuras de ventilación H ②)
- ! **desenchufar la herramienta antes de limpiar**
- Si a pesar de los esmerados procesos de fabricación y control, la herramienta llegase a averiarse, la reparación deberá encargarse a un servicio técnico autorizado para herramientas eléctricas SKIL
 - envíe la herramienta **sin desmontar** junto con una prueba de su compra a su distribuidor o a la estación de servicio más cercana de SKIL (los nombres así como el despiece de piezas de la herramienta figuran en www.skil.com)

- Tenga presente que los daños debido a sobrecargas o al manejo inadecuado de la herramienta serán excluidos de la garantía (consulte las condiciones de garantía de SKIL en www.skil.com o consulte a su distribuidor)

AMBIENTE

- **No deseches las herramientas eléctricas, los accesorios y embalajes junto con los residuos domésticos** (sólo para países de la Unión Europea)
 - de conformidad con la Directiva Europea 2012/19/CE sobre residuos de aparatos eléctricos y electrónicos y su aplicación de acuerdo con la legislación nacional, las herramientas eléctricas cuya vida útil haya llegado a su fin se deberán recoger por separado y trasladar a una planta de reciclaje que cumpla con las exigencias ecológicas
 - símbolo ⑤ llamará su atención en caso de necesidad de tirarlas

RUIDOS / VIBRACIONES

- Realizando mediciones según EN 60745, el nivel de presión acústica de esta herramienta es 94,2 dB(A) y el nivel de potencia acústica es de 105,2 dB(A) (incertidumbre K = 3 dB), y la vibración * (suma vectorial triaxial; incertidumbre K = 1,5 m/s²)
 - * al taladrar en metal < 2,5 m/s²
 - * al taladrar con percusión en hormigón 11,1 m/s²
- El nivel de emisión de vibraciones ha sido medido según una prueba estándar proporcionada en EN 60745; puede utilizarse para comparar una herramienta con otra y como valoración preliminar de la exposición a las vibraciones al utilizar la herramienta con las aplicaciones mencionadas
 - al utilizarla para distintas aplicaciones o con accesorios diferentes o con un mantenimiento deficiente, podría **aumentar** de forma notable el nivel de exposición
 - en las ocasiones en que se apaga la herramienta o cuando está funcionando pero no está realizando ningún trabajo, se podría **reducir** el nivel de exposición de forma importante
- ! **protéjase contra los efectos de la vibración realizando el mantenimiento de la herramienta y sus accesorios, manteniendo sus manos calientes y organizando sus patrones de trabajo**

NOM



P

Berbequim de percussão

6745

INTRODUÇÃO

- A ferramenta é determinada para furar com percussão em tijolos assim como para furar em madeira, metal, cerâmica e plástico
- Esta ferramenta não se destina a utilização profissional
- Leia e guarde este manual de instruções ③

DADOS TÉCNICOS ①

ELEMENTOS DA FERRAMENTA ②

- A Interruptor para ligar/desligar e regulação da velocidade
- B Botão de fixação do interruptor
- C Roda para controlo da velocidade máxima
- D Comutador para inverter o sentido da rotação
- E Comutador de marchas
- F Comutador para seleccionar a função de perfuração
- G Punho auxiliar
- H Aberturas de ventilação

SEGURANÇA

INDICAÇÕES GERAIS DE SEGURANÇA PARA FERRAMENTAS ELÉTRICAS

AVISO Leia todos os avisos de segurança, instruções, ilustrações e especificações fornecidas com esta ferramenta eléctrica. O incumprimento de todas as instruções enumeradas abaixo poderá resultar em choque eléctrico, incêndio e/ou lesão grave.

Guarde bem todas as advertências e instruções para futura referência.

O termo “ferramenta eléctrica” utilizado a seguir nas indicações de advertência, refere-se a ferramentas eléctricas operadas com corrente de rede (com cabo de rede) e a ferramentas eléctricas operadas com acumulador (sem cabo de rede).

1) SEGURANÇA DA ÁREA DE TRABALHO

- a) **Mantenha a sua área de trabalho limpa e arrumada.** Desordem ou áreas de trabalho com fraca iluminação podem causar acidentes.
- b) **Não trabalhar com a ferramenta eléctrica em áreas com risco de explosão, nas quais se encontrem líquidos, gases ou pós inflamáveis.** Ferramentas eléctricas produzem faíscas que podem provocar a ignição de pó e vapores.
- c) **Mantenha crianças e outras pessoas afastadas da ferramenta eléctrica durante o trabalho com a ferramenta.** Distracções podem causar a falta de controlo sobre o aparelho.

2) SEGURANÇA ELÉTRICA

- a) **As fichas das ferramentas eléctricas devem caber na tomada. A ficha não deve ser modificada de modo algum. Não utilize quaisquer fichas de adaptação junto com ferramentas eléctricas ligadas à terra.** Fichas sem modificações e tomadas adequadas reduzem o risco de choques eléctricos.
- b) **Evite que o corpo entre em contacto com superfícies ligadas à terra, como por exemplo tubos, radiadores, fogões e geladeiras.** Há um risco elevado de choques eléctricos, caso o corpo for ligado à terra.
- c) **A ferramenta eléctrica não deve ser exposta à chuva nem humidade.** A penetração de água na ferramenta eléctrica aumenta o risco de choques eléctricos.
- d) **O cabo do aparelho não deve ser utilizado para o transporte, para pendurar o aparelho, nem**

para puxar a ficha da tomada. Mantenha o cabo afastado de calor, óleo, cantos afiados ou partes em movimento do aparelho. Cabos danificados ou torcidos aumentam o risco de choques eléctricos.

- e) **Ao trabalhar com a ferramenta eléctrica ao ar livre, use um cabo de extensão apropriado para áreas externas.** O uso de um cabo apropriado para áreas externas reduz o risco de choques eléctricos.
- f) **Se não for possível evitar o funcionamento da ferramenta eléctrica em áreas húmidas, deverá ser utilizado uma disjuntor de corrente de avaria.** A utilização de um disjuntor de corrente de avaria reduz o risco de um choque eléctrico.

3) SEGURANÇA DE PESSOAS

- a) **Esteja alerta, observe o que está a fazer, e tenha prudência ao trabalhar com a ferramenta eléctrica. Não use a ferramenta eléctrica se estiver fatigado ou sob a influência de drogas, álcool ou medicamentos.** Um momento de falta de atenção durante a operação da ferramenta eléctrica pode causar graves lesões.
 - b) **Utilizar equipamento de protecção pessoal e sempre óculos de protecção.** A utilização de equipamento de protecção pessoal, como máscara de protecção contra pó, sapatos de segurança antiderrapantes, capacete de segurança ou protecção auricular, de acordo com o tipo e aplicação da ferramenta eléctrica, reduz o risco de lesões.
 - c) **Evitar uma colocação em funcionamento involuntária. Assegure-se de que a ferramenta eléctrica esteja desligada, antes de conectá-la à alimentação de rede e/ou ao acumulador, antes de levantá-la ou de transportá-la.** Se tiver o dedo no interruptor ao transportar a ferramenta eléctrica ou se o aparelho for conectado à alimentação de rede enquanto estiver ligado, poderão ocorrer acidentes.
 - d) **Remover chaves de ajustes ou chaves de fenda, antes de ligar a ferramenta eléctrica.** Uma chave de fenda ou chave de ajuste que se encontre numa parte móvel do aparelho, pode levar a lesões.
 - e) **Não se sobrestime. Mantenha uma posição firme e mantenha sempre o equilíbrio.** Desta forma poderá ser mais fácil controlar o aparelho em situações inesperadas.
 - f) **Use roupa apropriada. Não use roupa larga ou jóias. Mantenha os cabelos e roupas afastados de partes em movimento.** Roupas largas, jóias ou cabelos longos podem ser agarradas por partes em movimento.
 - g) **Se for prevista a montagem de dispositivos de aspiração de pó e de dispositivos de recolha, assegure-se de que estão conectados e que sejam utilizados de forma correcta.** A utilização de uma aspiração de pó pode reduzir o perigo devido ao pó.
 - h) **Não deixe que a familiaridade resultante de uma utilização frequente de ferramentas permita que você se torne complacente e ignore os princípios de segurança da ferramenta.** Uma acção descuidada pode causar ferimentos graves numa fração de segundo.
- ### 4) USO E TRATAMENTO DE FERRAMENTAS ELÉTRICAS
- a) **Não sobrecarregue a ferramenta eléctrica. Use para o seu trabalho a ferramenta eléctrica correcta.** A ferramenta correcta realizará o trabalho de forma melhor

- e mais segura dentro da faixa de potência indicada.
- b) **Não utilize a ferramenta eléctrica se o interruptor não puder ser ligado nem desligado.** Qualquer ferramenta eléctrica que não possa ser controlada através do interruptor de ligar-desligar, é perigosa e deve ser reparada.
 - c) **Puxar a ficha da tomada e/ou remover o acumulador, se amovível, antes de executar ajustes na ferramenta, de substituir acessórios ou de guardar a ferramenta.** Esta medida de segurança evita que a ferramenta eléctrica seja ligada acidentalmente.
 - d) **Guarde ferramentas eléctricas que não estiverem sendo utilizadas, for a do alcance de crianças. Não permita que o aparelho seja utilizado por pessoas não familiarizadas com o mesmo ou que não tenham lido estas instruções.** Ferramentas eléctricas são perigosas nas mãos de pessoas sem treinamento.
 - e) **Trate a ferramenta eléctrica e os acessórios com cuidado. Verifique se as partes móveis do aparelho funcionam perfeitamente e não emperram, se há peças quebradas ou danificadas, que possam influenciar o funcionamento do aparelho. Peças danificadas devem ser reparadas antes da utilização do aparelho.** Muitos acidentes tem como causa uma manutenção insuficiente das ferramentas eléctricas.
 - f) **Mantenha as ferramentas de corte sempre afiadas e limpas.** Ferramentas de cortes devidamente tratadas, com cantos afiados travam com menos frequência e podem ser controladas com maior facilidade.
 - g) **Use a ferramenta eléctrica, os acessórios os bits da ferramenta etc., de acordo com estas instruções. Considere também as condições de trabalho e o trabalho a ser efectuado.** A utilização da ferramenta eléctrica para outros fins que os previstos, pode resultar em situações perigosas.
 - h) **Mantenha os punhos e as superfícies de agarrar secas, limpas e livres de óleo e massa consistente.** Punhos e superfícies de agarrar escorregadias não permitem o manuseio e controlo seguros da ferramenta em situações inesperadas.

5) SERVIÇO

- a) **A sua ferramenta eléctrica só deve ser reparada por pessoal qualificado e só devem ser colocadas por sobressalentes originais.** Desta forma é assegurada a segurança da ferramenta eléctrica.

INSTRUÇÕES DE SEGURANÇA PARA BERBEQUIMS DE PERCUSSÃO

1) INSTRUÇÕES DE SEGURANÇA PARA TODAS AS OPERAÇÕES

- a) **Use protectores auditivos com berbequins de percussão.** A exposição ao ruído pode causar danos auditivos.
- b) **Utilize as pega(s) laterais.** Perda de controlo pode causar ferimentos pessoais.
- c) **Segure a ferramenta eléctrica nas superfícies isoladas, ao realizar uma operação na qual o corte de um acessório ou prendedor possa entrar em contacto com fios eléctricos ocultos ou com o cabo da própria ferramenta.** Cortar acessórios e prendedores em contacto com um fio eléctrico com

"corrente" pode transmitir "corrente" às peças metálicas expostas da ferramenta eléctrica e dar um choque eléctrico ao utilizador.

2) INSTRUÇÕES DE SEGURANÇA AO UTILIZAR BROCAS LONGAS

- a) **Nunca utilize as brocas a uma velocidade superior à classificação máxima de velocidade da broca.** Em velocidades superiores, a broca irá provavelmente dobrar se a deixar rodar livremente sem contacto com a peça, resultando em ferimentos pessoais.
- b) **Comece sempre a perfurar numa velocidade reduzida e com a broca em contacto com a peça.** Em velocidades superiores, a broca irá provavelmente dobrar se a deixar rodar livremente sem contacto com a peça, resultando em ferimentos pessoais.
- c) **Aplique pressão apenas em linha directa com a broca e não aplique pressão excessiva.** As brocas podem causar rupturas ou perda de controlo, resultando em ferimentos pessoais.

GENERAL

- Esta ferramenta não deve ser utilizada por pessoas menores de 16 anos
- **Desligue sempre a ficha da tomada antes de proceder a qualquer ajustamento ou troca de acessório**
- Utilize extensões completamente desenroladas e seguras, com uma capacidade de 16 Amp
- **Não processar material que contenha asbesto** (asbesto é considerado como sendo cancerígeno)
- O pó do material, como tinta com chumbo, algumas espécies de madeira, minerais e metais, pode ser prejudicial (contacto ou inalação do pó pode provocar reacções alérgicas e/ou doenças respiratórias ao operador ou às pessoas presentes); **use máscara respiratória e trabalhe com um dispositivo de extracção de pó quando ligado a**
- Determinados tipos de pó são classificados como substâncias cancerígenas (como pó de carvalho e faia), em especial, juntamente com aditivos para acondicionamento da madeira; **use máscara respiratória e trabalhe com um dispositivo de extracção de pó quando ligado a**
- Siga o regulamento nacional quanto a extracção de pó, em função dos materiais que vão ser utilizados

ANTES DA UTILIZAÇÃO

- Certifique-se sempre de que a tensão de alimentação está de acordo com a tensão indicada na placa de identificação da ferramenta
- Evite danificar a ferramenta em superfícies com pregos ou parafusos; remova-os antes de começar a trabalhar
- **Utilizar detectores apropriados para detectar tubos e cabos de alimentação escondidos, ou consulte a firma de alimentação local** (o contacto com um cabo eléctrico pode levar a incêndio e choque eléctrico; a danificação de um cano de gás pode levar à explosão; a penetração de uma tubulação de água provoca danos materiais ou pode provocar um choque eléctrico)
- **Fixe a peça de trabalho** (uma peça de trabalho fixa com dispositivos de fixação ou num torno fica melhor fixa do que manualmente)
- Nunca use a ferramenta se o cabo estiver danificado; este tem de ser substituído por um cabo especialmente preparado disponível através da organização de assistência.

ACESSÓRIOS

- A SKIL só pode garantir um funcionamento perfeito da ferramenta, quando utilizada com os acessórios originais
- Utilize apenas acessórios com um número de rotação admissível no mínimo tão alto como o mais alto número de rotação em vazio da ferramenta

DURANTE A UTILIZAÇÃO

- Mantenha sempre o fio afastado das peças rotativas da ferramenta
- Se a broca bloquear repentinamente (provocando uma reacção brusca e perigosa), desligue imediatamente a ferramenta
- Tenha especial atenção com eventuais contra-golpes que possam ocorrer se o acessório bloquear (especialmente quando perfurar metais); **utilize sempre o punho lateral G** e mantenha uma posição firme
- Em caso de anomalias eléctricas ou mecânicas, desligue imediatamente a ferramenta e tire a ficha da tomada
- Caso o fio for danificado ou cortado durante o trabalho, não toque no fio, mas tire imediatamente a ficha da tomada

APÓS A UTILIZAÇÃO

- Quando guardar a ferramenta, deverá certificar-se que o motor esta devidamente parado assim como todas as peças rotativas

EXPLICAÇÃO DOS SÍMBOLOS DA FERRAMENTA

- ③ Leia o manual de instruções antes de utilizar o equipamento
- ④ Isolamento duplo (nenhum fio de terra necessário)
- ⑤ Não deite a ferramenta no lixo doméstico

MANUSEAMENTO

- Ligar/desligar ⑥
- Fixação do interruptor para utilização contínua ⑦
- Regulação da velocidade para arranque suave ⑧
- Controlo da velocidade máxima ⑨
 - Com a roda C pode regular-se gradualmente a velocidade máxima da baixa até alta
 - ligue a ferramenta
 - tranque o interruptor
 - gire a roda C para seleccionar a velocidade máxima
- Seleção mecânica de marcha ⑩
 - coloque o selector E na velocidade desejada

! accione o selector de marcha em baixa rotação

1 = BAIXA VELOCIDADE

- aperto forte
- para furar grandes diâmetros
- para rosca

2 = ALTA VELOCIDADE

- aperto fraco
- para furar pequenos diâmetros
- Inversão do sentido da rotação ⑪
 - quando não forem correctamente reguladas as posições esquerda/direita, o interruptor A ② não será accionado

! inverta o comutador do sentido de rotação apenas quando a ferramenta desligada

- Perfuração normal vs perfuração com percussão ⑫
 - ! seleccione a função de perfuração apenas com a ferramenta desligada e a ficha fora da tomada**
- Substituição de pontas ⑬
 - empurre a ponta o mais profundamente possível na bucha
 - ! não utilize pontas com encabadouros danificados**

- Regulação da profundidade de perfuração ⑬
- Segurar e guiar a ferramenta ⑮
 - **utilize sempre o punho lateral G** (pode ser ajustado conforme ilustrado)
 - ! durante o trabalho, segure sempre a ferramenta na(s) área(s) de fixação cinzenta(s)**
 - mantenha as aberturas de ventilação destapadas
 - não exerça demasiada pressão na ferramenta; deixe a ferramenta trabalhar espontaneamente

CONSELHOS DE APLICAÇÃO

- Utilize as pontas apropriadas ⑮
 - ! utilize apenas pontas com pontas afiadas**
- Para perfurações em betão ou pedra, é sempre necessária uma força estável na ferramenta
- Quando perfurar metais ferrosos
 - faça primeiro um pequeno furo se necessitar abrir um furo maior
 - lubrifique frequentemente a broca com óleo adequado
- Perfuração anti estilhaço em madeira ⑰
- Perfuração sem pó em paredes ⑱
- Perfuração sem pó em tectos ⑲
- Perfuração em cerâmica sem derrapagens ⑳
- Para mais informação, consulte www.skil.com

MANUTENÇÃO / SERVIÇO

- Esta ferramenta não se destina a utilização profissional
- Mantenha a ferramenta e o fio sempre limpos (especialmente as ranhuras de respiração H ②)
 - ! desligar a ferramenta da fonte de corrente antes de limpar**
- Se a ferramenta falhar apesar de cuidadosos processos de fabricação e de teste, a reparação deverá ser executada por uma oficina de serviço autorizada para ferramentas eléctricas SKIL
 - envie a ferramenta **sem desmontar**, juntamente com a prova de compra, para o seu revendedor ou para o centro de assistência SKIL mais próximo (os endereços assim como a mapa de peças da ferramenta estão mencionados no www.skil.com)
- Não se esqueça de que os danos provocados por sobrecarga ou manuseamento incorrecto da ferramenta estão excluídos da garantia (para mais informações sobre as condições da garantia da SKIL, consulte www.skil.com ou pergunte ao seu revendedor)

AMBIENTE

- **Não deite ferramentas eléctricas, acessórios e embalagem no lixo doméstico** (apenas para países da UE)
 - de acordo com a directiva europeia 2012/19/CE sobre ferramentas eléctricas e electrónicas usadas e a transposição para as leis nacionais, as ferramentas eléctricas usadas devem ser recolhidas em separado e encaminhadas a uma instalação de reciclagem dos materiais ecológica
 - símbolo ⑤ lhe avisará em caso de necessidade de arranjar-las

RUÍDO / VIBRAÇÃO

- O nível de pressão sonora desta ferramenta, medido de acordo com a EN 60745, é de 94,2 dB(A) e o nível

de potência acústica é de 105,2 dB(A) (incerteza K = 3 dB), e a vibração * (soma do vector triax; incerteza K = 1,5 m/s²)

* ao perfurar em metal < 2,5 m/s²

* ao perfurar com percussão em betão 11,1 m/s²

- O nível de emissão de vibrações foi medido de acordo com um teste normalizado fornecido na EN 60745; pode ser utilizado para comparar uma ferramenta com outra e como uma avaliação preliminar de exposição à vibração quando utilizar a ferramenta para as aplicações mencionadas
 - utilizar a ferramenta para diferentes aplicações ou com acessórios diferentes ou mantidos deficientemente, pode **aumentar** significativamente o nível de exposição
 - o número de vezes que a ferramenta é desligada ou quando estiver a trabalhar sem fazer nada, pode **reduzir** significativamente o nível de exposição
- ! **proteja-se contra os efeitos da vibração, mantendo a ferramenta e os acessórios, mantendo as mãos quentes e organizando os padrões de trabalho**

I

Trapano a percussione

6745

INTRODUZIONE

- L'utensile è idoneo per l'esecuzione di forature a percussione in mattoni; esso è adatto anche per forare nel legname, nel metallo, nella ceramica e nelle materie plastiche
- Questo utensile non è inteso per un uso professionale
- Leggete e conservate questo manuale di istruzione ③

DATI TECNICI ①

ELEMENTI UTENSILE ②

- A Interruttore di accensione/spengimento e regolazione della velocità
- B Pulsante di blocco dell'interruttore
- C Rotella di controllo della velocità massima
- D Commutatore per l'inversione del senso di rotazione
- E Commutatore di marcia
- F Commutatore per la selezione del funzionamento di foratura
- G Impugnatura ausiliaria
- H Feritoie di ventilazione

SICUREZZA

AVVERTENZE GENERALI DI PERICOLO PER ELETTROUTENSILI

AVVERTENZA Leggere tutte le avvertenze di sicurezza, istruzioni, illustrazioni e specifiche fornite con l'utensile. La mancata osservanza di tutte le istruzioni sottoelencate potrebbe causare delle scariche elettriche, principi d'incendio e/o gravi lesioni.

Conservare tutte le avvertenze di pericolo e le istruzioni operative per ogni esigenza futura.

Il termine "elettroutensile" utilizzato nelle avvertenze di pericolo si riferisce ad elettroutensili alimentati dalla rete (con linea di allacciamento) ed ad elettroutensili alimentati a batteria (senza linea di allacciamento).

1) SICUREZZA DELLA POSTAZIONE DI LAVORO

- a) **Mantenere pulito ed ordinato il posto di lavoro.** Il disordine o le zone di lavoro non illuminate possono essere fonte di incidenti.
- b) **Evitare d'impiegare l'elettroutensile in ambienti soggetti al rischio di esplosioni nei quali si trovino liquidi, gas o polveri infiammabili.** Gli elettroutensili producono scintille che possono far infiammare la polvere o i gas.
- c) **Mantenere lontani i bambini ed altre persone durante l'impiego dell'elettroutensile.** Eventuali distrazioni potranno comportare la perdita del controllo sull'elettroutensile.

2) SICUREZZA ELETTRICA

- a) **La spina per la presa di corrente dovrà essere adatta alla presa. Evitare assolutamente di apportare modifiche alla spina. Non impiegare spine adattatrici assieme ad elettroutensili con collegamento a terra.** Le spine non modificate e le prese adatte allo scopo riducono il rischio di scosse elettriche.
 - b) **Evitare il contatto fisico con superfici collegate a terra, come tubi, riscaldamenti, cucine elettriche e frigoriferi.** Sussiste un maggior rischio di scosse elettriche nel momento in cui il corpo è messo a massa.
 - c) **Custodire l'elettroutensile al riparo dalla pioggia o dall'umidità.** L'eventuale infiltrazione di acqua in un elettroutensile va ad aumentare il rischio d'insorgenza di scosse elettriche.
 - d) **Non usare il cavo per scopi diversi da quelli previsti al fine di trasportare o appendere l'elettroutensile, oppure di togliere la spina dalla presa di corrente. Mantenere l'elettroutensile al riparo da fonti di calore, dall'olio, dagli spigoli o da pezzi in movimento.** I cavi danneggiati o aggrovigliati aumentano il rischio d'insorgenza di scosse elettriche.
 - e) **Qualora si voglia usare l'elettroutensile all'aperto, impiegare solo ed esclusivamente cavi di prolunga omologati per l'impiego all'esterno.** L'uso di un cavo di prolunga omologato per l'impiego all'esterno riduce il rischio d'insorgenza di scosse elettriche.
 - f) **Qualora non fosse possibile evitare di utilizzare l'elettroutensile in ambiente umido, utilizzare un interruttore di messa a terra.** L'uso di un interruttore di messa a terra riduce il rischio di una scossa elettrica.
- #### 3) SICUREZZA DELLE PERSONE
- a) **È importante concentrarsi su ciò che si sta facendo e a maneggiare con giudizio l'elettroutensile durante le operazioni di lavoro. Non utilizzare l'elettroutensile in caso di stanchezza o sotto l'effetto di droghe, bevande alcoliche e medicinali.** Un attimo di distrazione durante l'uso dell'elettroutensile potrà causare lesioni gravi.
 - b) **Indossare sempre equipaggiamento protettivo individuale. Usare sempre protezioni per gli occhi.** Se si avrà cura d'indossare equipaggiamento protettivo individuale come la maschera antipolvere, la calzatura antidrucciolevole di sicurezza, il casco protettivo o la

protezione dell'udito, a seconda dell'impiego previsto per l'elettrotensile, si potrà ridurre il rischio di ferite.

- c) **Evitare l'accensione involontaria dell'elettrotensile. Prima di collegarlo alla rete di alimentazione elettrica e/o alla batteria ricaricabile, prima di prenderlo oppure prima di iniziare a trasportarlo, assicurarsi che l'elettrotensile sia spento.** Tenendo il dito sopra l'interruttore mentre si trasporta l'elettrotensile oppure collegandolo all'alimentazione di corrente con l'interruttore inserito, si vengono a creare situazioni pericolose in cui possono verificarsi seri incidenti.
- d) **Togliere gli attrezzi di regolazione o la chiave inglese prima di accendere l'elettrotensile.** Un elettrotensile o una chiave inglese che si trovino in una parte dell'elettrotensile in rotazione potranno causare lesioni.
- e) **È importante non sopravvalutarsi. Avere cura di mettersi in posizione sicura e di mantenere l'equilibrio.** In tale maniera sarà possibile controllare meglio l'elettrotensile in situazioni inaspettate.
- f) **Indossare vestiti adeguati. Evitare di indossare vestiti lenti o gioielli. Tenere capelli e vestiti lontani da parti in movimento.** Vestiti lenti, gioielli o capelli lunghi potranno impigliarsi in pezzi in movimento.
- g) **Se sussiste la possibilità di montare dispositivi di aspirazione o di captazione della polvere, assicurarsi che gli stessi siano stati installati correttamente e vengano utilizzati senza errori.** L'utilizzo di un'aspirazione polvere può ridurre lo svilupparsi di situazioni pericolose dovute alla polvere.
- h) **Una volta presa confidenza con gli utensili, evitare di trascurare le norme di sicurezza.** Una mancanza di attenzione può causare gravi lesioni in una frazione di secondo.
- 4) MANEGGIO ED IMPIEGO ACCURATO DI ELETTROTENSILI**
- a) **Non sovraccaricare l'elettrotensile. Impiegare l'elettrotensile adatto per sbrigare il lavoro.** Utilizzando l'elettrotensile adatto si potrà lavorare meglio e con maggior sicurezza nell'ambito della gamma di potenza indicata.
- b) **Non utilizzare elettrotensili con interruttori difettosi.** Un elettrotensile che non si può più accendere o spegnere è pericoloso e dovrà essere riparato.
- c) **Prima di procedere ad operazioni di regolazione sull'elettrotensile, prima di sostituire parti accessorie oppure prima di posare l'elettrotensile al termine di un lavoro, estrarre sempre la spina dalla presa della corrente e/o estrarre la batteria ricaricabile, se rimovibile.** Tale precauzione eviterà che l'elettrotensile possa essere messo in funzione inavvertitamente.
- d) **Custodire gli elettrotensili non utilizzati al di fuori della portata dei bambini. Non fare usare l'elettrotensile a persone che non sono abituate ad usarlo o che non abbiano letto le presenti istruzioni.** Gli elettrotensili sono pericolosi se utilizzati da persone inesperte.
- e) **Eeguire la manutenzione degli elettrotensili e degli accessori. Verificare che le parti mobili dell'elettrotensile funzionino perfettamente e**

non s'inceppino, che non ci siano pezzi rotti o danneggiati al punto tale da limitare la funzione dell'elettrotensile stesso. Far riparare le parti danneggiate prima d'impiegare l'elettrotensile.

Numerosi incidenti vengono causati da elettrotensili la cui manutenzione è stata effettuata poco accuratamente.

- f) **Mantenere affilati e puliti gli elettrotensili da taglio.** Gli elettrotensili da taglio curati con particolare attenzione e con taglienti affilati s'inceppano meno frequentemente e sono più facili da condurre.
- g) **Utilizzare elettrotensili, accessori, attrezzi, ecc. in conformità con le presenti istruzioni. Osservare le condizioni di lavoro ed il lavoro da eseguirsi durante l'impiego.** L'impiego di elettrotensili per usi diversi da quelli consentiti potrà dar luogo a situazioni di pericolo.
- h) **Mantenere impugnature e superfici di presa asciutte, pulite e prive di olio e grasso.** Impugnatura e superfici di presa scivolose non consentono di manipolare e controllare l'utensile in caso di situazioni inaspettate.
- 5) ASSISTENZA**
- a) **Fare riparare l'elettrotensile solo ed esclusivamente da personale specializzato e solo impiegando pezzi di ricambio originali.** In tale maniera potrà essere salvaguardata la sicurezza dell'elettrotensile.

ISTRUZIONI DI SICUREZZA PER TRAPANI A PERCUSSIONE

1) ISTRUZIONI DI SICUREZZA PER TUTTE LE OPERAZIONI

- a) **Utilizzare cuffie di protezione per le orecchie durante l'uso del trapano a percussione.** L'esposizione al rumore può causare danni all'udito.
- b) **Utilizzare la/le impugnatura/e supplementare/i.** La perdita di controllo dell'utensile può comportare lesioni.
- c) **Tenere l'elettrotensile per le superfici isolate dell'impugnatura qualora venissero effettuati lavori durante i quali l'accessorio di taglio o gli avvitatori potrebbero venire a contatto con cavi elettrici nascosti.** Il contatto dell'accessorio di taglio o dell'avvitatore con un cavo sotto tensione può mettere sotto tensione anche parti metalliche dell'utensile dell'elettrotensile, causando una scossa elettrica.

2) ISTRUZIONI DI SICUREZZA PER L'USO DI PUNTE LUNGHE

- a) **Non usare mai una velocità superiore alla velocità massima indicata per la punta.** A velocità superiori, la punta potrebbe piegarsi, se ruota liberamente senza contatto con il pezzo di lavoro, e potrebbe causare lesioni gravi.
- b) **Iniziare sempre a forare a velocità bassa e con la punta a contatto con il pezzo di lavoro.** A velocità superiori, la punta potrebbe piegarsi, se ruota liberamente senza contatto con il pezzo di lavoro, e potrebbe causare lesioni gravi.
- c) **Applicare pressione solo in linea diretta con la punta e non applicare una pressione eccessiva.** Le punte possono piegarsi e causare rotture o perdita di controllo, con conseguenti lesioni.

NOTE GENERALI

- Questo utensile non dev'essere utilizzato da persone di età inferiore ai 16 anni

- **Staccate sempre la spina dell'utensile prima di effettuare regolazioni o cambiare gli accessori**
- Usare cavi di prolunga completamente srotolati e sicure con una capacità di 16 Amp
- **Non lavorare mai materiali contenenti amianto** (l'amianto è ritenuto materiale cancerogeno)
- Le polveri di materiali come vernici contenenti piombo, alcune specie di legno, minerali e metallo possono essere nocive (il contatto con queste polveri o la loro inalazione possono causare reazioni allergiche e/o disturbi respiratori all'operatore o ad altre persone presenti sul posto); **indossare una maschera protettiva per la polvere e utilizzare un dispositivo per l'estrazione della polvere se è presente una presa di collegamento**
- Alcuni tipi di polvere sono classificati come cancerogeni (quali le polveri di quercia e faggio) specialmente se associate ad additivi per il trattamento del legno; **indossare una maschera protettiva per la polvere e utilizzare un dispositivo per l'estrazione della polvere se è presente una presa di collegamento**
- Rispettare le istruzioni nazionali riguardanti l'estrazione della polvere per i materiali in lavorazione

PRIMA DELL'USO

- Controllare che la tensione dell'alimentazione sia la stessa di quella indicata sulla targhetta dell'utensile
- Evitare possibili danneggiamenti da viti e chiodi sporgenti; rimuoverli prima di iniziare la lavorazione
- **Al fine di rilevare possibili linee di alimentazione nascoste, utilizzare adatte apparecchiature di ricerca oppure rivolgersi alla locale società erogatrice** (un contatto con linee elettriche può provocare lo sviluppo di incendi e di scosse elettriche; danneggiando linee del gas si può creare il pericolo di esplosioni; penetrando una tubazione dell'acqua si provocano seri danni materiali oppure vi è il pericolo di provocare una scossa elettrica)
- **Fissare il pezzo da lavorare** (un pezzo in lavorazione rimane bloccato in posizione con maggiore sicurezza se fissato con appositi dispositivi di serraggio o con una morsa e non tenendolo con la mano)
- Non usare mai l'utensile se il cavo è danneggiato; sostituire con un cavo apposito disponibile presso i centri di assistenza.

ACCESSORI

- La SKIL garantisce un perfetto funzionamento dell'utensile soltanto se vengono utilizzati accessori originali
- Utilizzate solo accessori il cui numero massimo di giri corrisponda almeno al massimo dei numeri di giri dell'utensile

DURANTE L'USO

- Mantenere sempre il cavo distante dalle parti in movimento dell'utensile
- Se la punta si blocca inaspettatamente (provocando un contraccolpo di reazione), spegnete subito l'utensile
- Attenzione alle forze sviluppate in caso di bloccaggio dell'utensile (specialmente nella foratura del metallo); **utilizzare sempre l'impugnatura ausiliaria G ed assumete una sicura posizione di lavoro**
- Nel caso di cattivo funzionamento elettrico o meccanico, spegnete subito l'utensile e staccate la spina
- Se durante un'operazione di lavoro viene danneggiato oppure troncato il cavo, non toccare il cavo ma estrarre immediatamente la spina dalla presa

DOPO L'USO

- Quando riponete l'utensile accertatevi che non ci siano

- partì in movimento e che il motore sia spento
- SPIEGAZIONE DEI SIMBOLI PRESENTI SULL'UTENSILE**
- ③ Leggere il manuale di istruzioni prima dell'uso
 - ④ Doppio isolamento (non è necessario alcun cavo di terra)
 - ⑤ Non gettare l'utensile tra i rifiuti domestici

USO

- Accesso/spento ⑥
- Blocco dell'interruttore per il funzionamento continuo ⑦
- Regolazione della velocità per un avviamento lento ⑧
- Controllo della velocità massima ⑨
- Con la rotella C potete scegliere progressivamente la velocità massima da bassa ad alta
 - accendere l'utensile
 - bloccate l'interruttore
 - girate la rotella C fino alla velocità massima desiderata
- Commutazione meccanica di marcia ⑩
 - spostare il commutatore E nella velocità desiderata
- **! azionare il commutatore di marcia mentre l'utensile funziona lentamente**
 - 1 = VELOCITÀ RIDOTTA
 - grande coppia
 - per forare grandi diametri
 - per filettare di vite
 - 2 = VELOCITÀ ELEVATA
 - bassa coppia
 - per forare piccoli diametri
- Inversione del senso di rotazione ⑪
 - quando la posizione sinistra/destra non è inserita propriamente l'interruttore A ② non può essere attivato
- **! invertire il senso di rotazione solo quando l'utensile si è arrestato completamente**
- Foratura normale oppure foratura a percussione ⑫
 - **! selezionare la modalità di foratura solo quando l'utensile è spento e quando la spina è scollegata**
- Cambio delle punte ⑬
 - introdurre la punta il più profondamente possibile nel mandrino
 - **! non utilizzare punte con il gambo danneggiato**
- Regolazione della profondità di perforazione ⑭
- Tenuta e guida dell'utensile ⑮
 - **utilizzare sempre l'impugnatura ausiliaria G** (può venire regolata come illustrato)
 - **! durante la lavorazione, impugna l'utensile sempre in corrispondenza della(e) area(e) grigia(e)**
 - tenete libere le feritoie di ventilazione
 - non applicate una pressione eccessiva all'utensile; lasciate che sia l'utensile a lavorare per voi

CONSIGLIO PRATICO

- Usare le punte appropriate ⑯
- **! usare solo punte affilate**
- Per forare cemento o pietra è richiesta una leggera pressione sul trapano
- Quando le parti da forare sono ferrose
 - preparare un piccolo foro, quando è richiesto un grande foro
 - lubrificare la punta di tanto in tanto con olio
- Forature antisceglia nel legno ⑰
- Foratura senza polvere nel muro ⑱
- Foratura senza polvere nel soffitto ⑲
- Foratura di piastrelle senza scivolamento ⑳
- Per ulteriori informazioni consultare il sito www.skil.com

MANUTENZIONE / ASSISTENZA

- Questo utensile non è inteso per un uso professionale
- Tenete sempre puliti utensile e cavo (soprattutto le feritoie di ventilazione H ②)
- ! **prima di pulire estrarre la spina dalla presa**
- Se nonostante gli accurati procedimenti di produzione e di controllo l'utensile dovesse guastarsi, la riparazione va fatta effettuare da un punto di assistenza autorizzato per gli elettrotensili SKIL
 - inviare l'utensile **non smontato** assieme alle prove di acquisto al rivenditore oppure al più vicino centro assistenza SKIL (l'indirizzo ed il disegno delle parti di ricambio dell'utensile sono riportati su www.skil.com)
- Tenere presente che danni causati da sovraccarico o utilizzo improprio sono esclusi dalla garanzia (per la condizioni di garanzia SKIL, visitare il sito www.skil.com o contattare il proprio rivenditore)

TUTELA DELL'AMBIENTE

- **Non gettare l'elettrotensile, gli accessori e l'imballaggio con i rifiuti domestici** (solo per Paesi UE)
 - secondo la Direttiva Europea 2012/19/CE sui rifiuti di utensili elettrici ed elettronici e la sua attuazione in conformità alle norme nazionali, gli elettrotensili esausti devono essere raccolti separatamente, al fine di essere reimpiagati in modo eco-compatibile
 - il simbolo ⑤ vi ricorderà questo fatto in fase di smaltimento

RUMOROSITÀ / VIBRAZIONE

- Misurato secondo EN 60745, il livello di pressione sonora garantito di questo utensile è di 94,2 dB(A), il livello di rumorosità è di 105,2 dB(A) (incertezza K = 3 dB) e il livello delle vibrazioni di * (somma vettoriale di tre direzioni; incertezza K = 1.5 m/s²)
 - * nella foratura nel metallo < 2,5 m/s²
 - * nella foratura a percussione nel cemento 11,1 m/s²
- Il livello di emissione delle vibrazioni è stato misurato in conformità a un test standardizzato stabilito dalla norma EN 60745; questo valore può essere utilizzato per mettere a confronto un l'utensile con un altro o come valutazione preliminare di esposizione alla vibrazione quando si impiega l'utensile per le applicazioni menzionate
 - se si utilizza l'utensile per applicazioni diverse, oppure con accessori differenti o in scarse condizioni, il livello di esposizione potrebbe **umentare** notevolmente
 - i momenti in cui l'utensile è spento oppure è in funzione ma non viene effettivamente utilizzato per il lavoro, possono contribuire a **ridurre** il livello di esposizione
- ! **protegersi dagli effetti della vibrazione effettuando la manutenzione dell'utensile e dei relativi accessori, mantenendo le mani calde e organizzando i metodi di lavoro**

H

Ütvefűró

6745

BEVEZETÉS

- A készülék téglában végzett ütvefűrésra, valamint fában,

fémekben, kerámiákban és műanyagokban végzett fűrésra szolgál

- A szerszám nem professzionális használatra készült
- Olvassa el figyelmesen és őrizze meg a használati utasítást ③

MŰSZAKI ADATOK ①

SZERSZÁMGÉP ELEMEI ②

- A Be/Ki kapcsoló és sebességszabályozó
- B Kapcsolórögzitógomb
- C A maximális sebesség beállítására szolgáló kerék
- D A forgásirány változtatására szolgáló kapcsoló
- E Fokozatválasztó kapcsoló
- F A fűrófunkció kiválasztására szolgáló kapcsoló
- G Oldalfogantyú
- H Szellőzőnyílások

BIZTONSÁG

ÁLTALÁNOS BIZTONSÁGI ELŐÍRÁSOK AZ ELEKTROMOS KÉZISZERSZÁMOKHOZ

FIGYELMEZTETÉS Olvassa el a szerszámgéphez tartozó biztonsági figyelmeztetéseket, utasításokat, ábrákat és specifikációkat. Az alábbi utasítások figyelem kívül hagyása elektromos áramütéshez, tűzhöz és/vagy súlyos balesetkez vezethet.

Őrizze meg a jövőbeli használatra is valamennyi biztonsági előírást és utasítást.

Az alább alkalmazott "elektromos kéziszerszám" fogalom a hálózati elektromos kéziszerszámokat (hálózati csatlakozó kábel) és az akkumulátoros elektromos kéziszerszámokat (hálózati csatlakozó kábel nélkül) foglalja magában.

1) MUNKAHELYI BIZTONSÁG

- Tartsa tisztán és tartsa rendszerben a munkahelyét.** Rendetlen munkahelyek vagy megvilágítatlan munkaterületek balesetekhez vezethetnek.
- Ne dolgozzon az elektromos kéziszerszámmal olyan robbanásveszélyes környezetben, ahol éghető folyadékok, gázok vagy porok vannak.** Az elektromos kéziszerszámok szikrákat bocsáthatnak ki, amelyek meggyújthatják a port vagy a gőzöket.
- Tartsa távol a gyerekeket és az idegen személyeket a munkahelytől, ha az elektromos kéziszerszámot használja.** Ha elvonják a figyelmét a munkától, könnyen elvesztheti az uralmát a berendezés felett.

2) ELEKTROMOS BIZTONSÁGI ELŐÍRÁSOK

- A készülék csatlakozó dugójának bele kell illeszkednie a dugaszolóaljzatba. A csatlakozó dugót semmilyen módon sem szabad megváltoztatni. Védőföldeléssel ellátott készülékekkel kapcsolatban ne használjon csatlakozó adaptert.** A változtatás nélküli csatlakozó dugók és a megfelelő dugaszoló aljakok csökkentik az áramütés kockázatát.
- Ne érjen hozzá földelt felületekhez, mint csövekhez, fűtőtetekhez, kályhákhoz és hűtőszekrényekhez.** Az áramütési veszély megnövekszik, ha a teste le van földelve.
- Tartsa távol az elektromos kéziszerszámot az esőtől és a nedvesség hatásaitól.** Ha víz hatol be egy

elektromos kéziszerszámba, ez megnöveli az áramütés veszélyét.

- d) **Ne használja a kábelt a rendeltetésétől eltérő célokra, vagyis a szerszámot soha ne hordozza vagy akassza fel a kábelnél fogva, és soha ne húzza ki a hálózati csatlakozó dugót a kábelnél fogva. Tartsa távol a kábelt hőforrásoktól, olajtól, éles élektől, sarkaktól és mozgó gépalkatrészekről.** Egy megrongálódott vagy csomókkal teli kábel megnöveli az áramütés veszélyét.
- e) **Ha egy elektromos kéziszerszámmal a szabad ég alatt dolgozik, csak a szabadban való használatra engedélyezett hosszabbítót használjon.** A szabadban való használatra engedélyezett hosszabbító használata csökkenti az áramütés veszélyét.
- f) **Ha nem lehet elkerülni az elektromos kéziszerszám nedves környezetben való használatát, alkalmazzon egy földzárlat megszakítót.** Egy földzárlat megszakító alkalmazása csökkenti az áramütés kockázatát.
- 3) **SZEMÉLYI BIZTONSÁGI ELŐÍRÁSOK**
 - a) **Munka közben mindig figyeljen, ügyeljen arra, amit csinál, és meggondoltan dolgozzon az elektromos kéziszerszámmal.** Ha fáradt, ha kábítószerek vagy alkohol hatása alatt áll, vagy orvszógakat vett be, ne használja a berendezést. A berendezéssel végzett munka közben már egy pillanatnyi figyelmetlenség is komoly sérülésekhez vezethet.
 - b) **Viseljen személyi védőfelszerelést és mindig viseljen védőszemüveget.** A személyi védőfelszerelések, mint porvédő álarc, csúszásbiztos védőcipő, védősapka és fülvédő használata az elektromos kéziszerszám használata jellemzően megfelelően csökkenti a személyes sérülések kockázatát.
 - c) **Kerülje el a készülék akaratlan üzembe helyezését.** Győződjön meg arról, hogy az elektromos kéziszerszám ki van kapcsolva, mielőtt bedugná a csatlakozó dugót a dugaszolóaljzatba, csatlakoztatná az akkumulátor-csomagot, és mielőtt felvenné és vinni kezdené az elektromos kéziszerszámot. Ha az elektromos kéziszerszám felemelése közben az újat a kapcsolón tartja, vagy ha a készüléket bekapcsolt állapotban csatlakoztatja az áramforráshoz, ez balesetekhez vezethet.
 - d) **Az elektromos kéziszerszám bekapcsolása előtt okvetlenül távolítsa el a beállító szerszámokat vagy csavarkulcsokat.** Az elektromos kéziszerszám forgó részeiben felejtett beállító szerszám vagy csavarkulcs sérüléseket okozhat.
 - e) **Ne becslje túl önmagát. Kerülje el a normálistól eltérő tesztartást, ügyeljen arra, hogy mindig biztosan álljon és az egyensúlyát megtartsa.** Így az elektromos kéziszerszám felett váratlan helyzetekben is jobban tud uralkodni.
 - f) **Viseljen megfelelő ruhát. Ne viseljen bő ruhát vagy ékszereket. Tartsa távol a haját és a ruháját a mozgó részekről.** A bő ruhát, az ékszereket és a hosszú haját a mozgó alkatrészek magukkal ránthatják.
 - g) **Ha az elektromos kéziszerszámmal fel lehet szerelni a por elszívásához és összegyűjtéséhez szükséges berendezéseket, ellenőrizze, hogy azok megfelelő módon hozzá vannak kapcsolva a készülékek és rendeltetésüknek megfelelően működnek.** A porgyűjtő berendezések használata csökkenti a munka

során keletkező por veszélyes hatását.

- h) **Ne hagyja, hogy az elektromos kéziszerszám gyakori használata során szerzett tapasztalatok olyan önelégültté tegyék, hogy figyelmen kívül hagyja az idevonatkozó biztonsági alapelveket.** Egy gondatlan művelet egy másodperc törtrésze alatt súlyos sérüléseket okozhat.
- 4) **AZ ELEKTROMOS KÉZISZERSZÁMOK GONDOS KEZELÉSE ÉS HASZNÁLATA**
 - a) **Ne terhelje túl az elektromos kéziszerszámot.** A munkájához csak az arra szolgáló elektromos kéziszerszámot használja. Egy alkalmas elektromos kéziszerszámmal a megadott teljesítménytartományon belül jobban és biztonságosabban lehet dolgozni.
 - b) **Ne használjon olyan elektromos kéziszerszámot, amelynek a kapcsolója elromlott.** Egy olyan elektromos kéziszerszám, amelyet nem lehet sem be-, sem kikapcsolni, veszélyes és meg kell javíttatni.
 - c) **Húzza ki a csatlakozó dugót a dugaszolóaljzattól és/vagy távolítsa el az akkumulátor-csomagot (ha az leválasztható) az elektromos kéziszerszámtól, mielőtt az elektromos kéziszerszámon beállítási munkákat végez, tartozékokat cserél vagy a szerszámot tárolásra elteszi.** Ez az elővigyázatossági intézkedés meggátolja a szerszám akaratlan üzembe helyezését.
 - d) **A használaton kívüli elektromos kéziszerszámokat olyan helyen tárolja, ahol azokhoz gyerekek ne férhessnek hozzá. Ne hagyja, hogy olyan személyek használják az elektromos kéziszerszámot, akik nem ismerik a szerszámot, vagy nem olvasták el ezt az útmutatót.** Az elektromos kéziszerszámok veszélyesek, ha azokat gyakorlatlan személyek használják.
 - e) **Az elektromos kéziszerszámot és tartozékait gondosan tartsa karban.** Ellenőrizze, hogy a mozgó alkatrészek kifogástalanul működnek-e, nincsenek-e beszorulva, és nincsenek-e eltörve vagy megrongálódva olyan alkatrészek, amelyek hatással lehetnek az elektromos kéziszerszám működésére. A megrongálódott részeket a készülék használata előtt javíttassa meg. Sok olyan baleset történik, amelyet az elektromos kéziszerszám nem kielégítő karbantartására lehet visszavezetni.
 - f) **Tartsa tisztán és éles állapotban a vágószerszámokat.** Az éles vágóélekkel rendelkező és gondosan ápolat vágószerszámok ritkábban ékelődnek be és azokat könnyebben lehet vezetni és irányítani.
 - g) **Az elektromos kéziszerszámokat, tartozékokat, betétszerszámokat stb. csak ezen előírásoknak használja.** Vegye figyelembe a munkafelteleket és a kivitelezendő munka sajátosságait. Az elektromos kéziszerszám eredeti rendeltetésétől eltérő célokra való alkalmazása veszélyes helyzetekhez vezethet.
 - h) **Tartsa szárazon, tisztán és olaj- és zsírmentes állapotban a fogantyúkat és markoló felületeket.** A csúszós fogantyúk és markoló felületek váratlan helyzetekben lehetetlenné teszik az elektromos kéziszerszám biztonságos kezelését és irányítását.
- 5) **SZERVIZ**
 - a) **Az elektromos kéziszerszámot csak szakképzett személyzet és csak eredeti pótalkatrészek felhasználásával javíthatja.** Ez biztosítja, hogy az elektromos kéziszerszám biztonságos szerszám maradjon.

BIZTONSÁGI ELŐÍRÁSOK ÜTFEFÚRÓKHOZ

1) BIZTONSÁGI UTASÍTÁSOK AZ ÖSSZES MUNKAFOLYAMATHOZ

- Viseljen fűlvédőt ütfefúrás során.** A zajnak történő expozíció halláskárosodáshoz vezethet.
- Használja a kiegészítő fogantyú(kat).** A szerszám feletti uralom elvesztése személyi sérülést okozhat.
- Az elektromos kéziszerszámot csak a szigetelt fogantyúfelületeknél fogva tartsa, ha olyan munkát végez, amelynek során a vágó vagy a rögzítőelemek feszültség alatt álló, kívülről nem látható vezetékekhez vagy a szerszám saját zsinórjához érhetnek.** Ha a berendezés vagy a csavarok egy feszültség alatt álló vezetékhez érnek, az elektromos kéziszerszám fémrészei szintén feszültség alá kerülhetnek és áramütéshez vezethetnek.

2) BIZTONSÁGI UTASÍTÁSOK HOSSZÚ FÚRÓFEJ ALKALMAZÁSOKOR

- Soha ne üzemeltesse magasabb sebességen a fúrófej maximális sebességbesorolásánál.** Magasabb sebesség mellett a fej hajlamos elgörbülni, ha szabadon hagyják forogni a munkadarabhoz történő hozzáérés nélkül, ezzel személyi sérülést okozva.
- Mindig alacsony sebességen kezdje meg a fúrást, úgy, hogy a fúrófej a munkadarabhoz ér.** Magasabb sebesség mellett a fej hajlamos elgörbülni, ha szabadon hagyják forogni a munkadarabhoz történő hozzáérés nélkül, ezzel személyi sérülést okozva.
- Egyenes vonalban és ne túl nagy erővel gyakoroljon nyomást a fúrófejre.** A fúrófejek elgörbülhetnek, ami a fúrófej töréséhez vagy a szerszám feletti kontroll elvesztéséhez vezethet, ez pedig személyes sérülést okozhat.

ÁLTALÁNOS TUDNIVALÓK

- A készüléket csak 16 éven felüli személyek használják
- Mindig húzza ki a dugaszolóaljzatot mielőtt tartozékok cserélné vagy bármit változtatna a gép beállításán**
- Használjon teljesen letekert és biztonságos hosszabbítókábel, 16 A-es teljesítménnyel
- Ne munkáljon meg a berendezéssel azbesztes tartalmazó anyagokat** (az azbesztesnek rákkeltő hatása van)
- Az anyagból származó por, mint például az ólomot, néhány fafajtát, ásványi anyagokat és fémeket tartalmazó festékek, káros lehet (a por érintése vagy belégzése allergiás reakciókat és/vagy légzőszervi betegségeket okozhat a kezelő, illetve a közelben állók esetében); **viseljen pormaszkot és amennyiben csatlakoztatható, dolgozzon porszivó berendezéssel**
- Bizonyos porfajták rákkeltő besorolással rendelkeznek (ilyen például a tölgy- és a bükkfa pora), különösen a fa kondicionálására szolgáló adalékokkal együtt; **viseljen pormaszkot és amennyiben csatlakoztatható, dolgozzon porszivó berendezéssel**
- Kövesse a por kezelésével kapcsolatos helyi előírásokat azon termékek kapcsolatosan, amellyel dolgozni kíván

HASZNÁLAT ELŐTT

- Mindig ellenőrizze, hogy a hálózati feszültség megegyezik-e a szerszám adattábláján feltüntetett értékkel
- Ügyeljen arra, hogy a munkadarabban lévő csavar, szög vagy hasonló sérüléseket ne okozhasson; a munka

megkezdése előtt eltávolítandó

- A rejtett vezetékek felkutatásához használjon alkalmas fémkereső készüléket, vagy kérje ki a helyi energiellátó vállalat tanácsát** (ha egy elektromos vezetékeket a berendezéssel megérint, ez tűzhez és áramütéshez vezethet; egy gázvezeték megrongálása robbanást eredményezhet; egy vízvezetékbe való behatolás anyagi károkhoz és áramütéshez vezethet)
- Rögzítse a munkadarabot** (befogókészülékkel vagy satulav befogott munkadarabot sokkal biztonságosabban lehet rögzíteni mint a kézzel tartottat)
- Soha ne használja a szerszámot, ha a kábel sérült; ilyen esetben azt egy speciális kábelre kell lecserélni, amely a szervizelést végző ügyfélszolgálatnál érhető el.

TARTOZÉKOK

- SKIL cég kizárólag eredeti alkatrészek és kiegészítők alkalmazása esetén tudja garantálni a gép problémamentes működését
- Csak olyan tartozékokat használjon, amelyek legmagasabb megengedett fordulatszámja legalább akkora, mint a berendezés legmagasabb üresjáratú fordulatszámja

HASZNÁLAT KÖZBEN

- A gép mozgó részétől mindig tartsa távol az elektromos kábelt
- A fúró váratlan (hirtelen, veszélyes reakciót okozó) beszorulása vagy elakadása esetén azonnal kapcsolja ki a gépet
- Soha ne feledkezzen meg arról, hogy a fúró elakadása vagy beszorulása (különösen fémfúrás esetén) mekkora erőhatással jár; **a gépet mindig az oldalfogantyúnál G és gondoskodjon szilárd támaszról**
- Normálított eltérő működés valamint szokatlan, idegen hangok esetén a készüléket azonnal kapcsolja ki és a kábelt húzza ki a fali dugaszoló aljzatból
- Ha a kábel munka közben megsérül vagy el van vágva, ne érjen a kábelhez, hanem azonnal húzza ki a konnektorból

A HASZNÁLATOT KÖVETŐEN

- A gépet soha ne hagyja bekapcsolt állapotban, ha már nem dolgozik vele

A SZERSZÁMON TALÁLHATÓ SZIMBÓLUMOK MAGYARÁZATA

- Használat előtt olvassa el a használati utasítást
- Kettős szigetelés (földelővezeték nem szükséges)
- A gépet ne dobja a háztartási szemétre

KEZELÉS

- Be/Ki ⑥
- Kapcsolórögzítő folyamatos használat esetére ⑦
- Egyenletes indítást biztosító sebességszabályozó ⑧
- Maximális sebesség beállítás ⑨
- A C kerék segítségével állítható be fokozatmentesen a legnagyobb fordulatszám, az alacsonytól a magasig
 - kapcsolja be a gépet
 - rögzítse a kapcsolót
 - a C forgatógomb segítségével állítsa be a kívánt maximális fordulatszámot
- Mechanikus fokozatválasztás ⑩
 - a E kapcsolót állítsuk a kívánt fordulatszám
- ! a fokozatváltó kapcsolótát átkapcsolni, ha a gép fordulata lecsökkent**
1 = ALACSONY FORDULATSZÁM
 - magas forgatónyomaték
 - nagy átmérőjű furatokhoz
 - menetfúráshoz

2 = NAGY FORDULATSZÁM

- alacsony forgatónyomaték
- kisebb átmérőjű furatokhoz
- Forgásirány változtatás ⑪
 - amennyiben az A ② be/ki kapcsoló nem kattán tökéletesen a helyére ne kapcsolja be gépét
 - ! a forgásirány kizárólag a gép teljes leállása után változtatható
- Normál fűrés illetve ütvefűrés ⑫
 - ! a fűrófunkció kiválasztását csak a gép kikapcsoló állapotában végezze és a hálózati csatlakozó legyen kihúzva a konnektorból
- A szerszámhegyek cseréje ⑬
 - helyezze a szerszámhegyet a tokmánya, s tolja olyan mélyre, amennyire csak lehet
 - ! soha ne használjon sérült befogóvégű szerszámhegyet
- A furatmélység beállítása ⑭
- A gép vezetése és tartása ⑮
 - a gépet mindig az oldalfogantyúnál G (az ábrán látható módon beállítható)
 - ! munka közben mindvégig tartsa gépet a szürke színű markolati terület(ek)en
 - tartsa a szellőzőnyílásokat mindig szabadon
 - ne gyakoroljon túl nagy nyomást a gépre; hagyja, hogy a gép dolgozzon ön helyett

HASZNÁLAT

- Mindig a megfelelő szerszámhegyet használja ⑯
 - ! ne használjon kopott vagy élettlen szerszámhegyet
- Beton és kő fűrésakor állandó nyomást kell gyakorolni a gépre
- Fémekben történő fűréskor
 - készítsünk kisméretű előfuratot
 - kenje időnként olajjal a fűrőhegyet
- Forgácsmentes fűrés ⑰
- Pormentes fűrés falban ⑱
- Pormentes fűrés plafonban ⑲
- Csempék/burkolólapok fűrésa megcsúszás nélkül ⑳
- A további információkért lásd a www.skil.com oldalt

KARBANTARTÁS / SZERVIZ

- A szerszám nem professzionális használatra készült
- Mindig tartsa tisztán a gépet és a vezetékét (különös tekintettel a szellőzőnyílásokra H ②)
- ! tisztítás előtt húzza ki a csatlakozódugót
- Ha a gép a gondos gyártási és ellenőrzési eljárás ellenére egyszer mégis meghibásodna, akkor a javítással csak SKIL elektromos kéziszerszám-műhely ügyfélszolgálatát szabad megbízni
 - küldje az **összeszerelt** gépet a vásárlást bizonyító számlával együtt a kereskedő vagy a legközelebbi SKIL szervizállomás címére (a címlista és a gép szervizdiagramja a www.skil.com címen található)
- Vegye figyelembe, hogy a garancia nem fedei le a túlterhelés és a gép helytelen használatá miatt okozott károkat (a SKIL garanciális feltételeit olvashatja a www.skil.com oldalon, vagy kérdezze meg kereskedőjét)

KÖRNYEZET

- **Az elektromos kéziszerszámokat, tartozékokat és csomagolást ne dobja a háztartási szemétkébe** (csak EU-országok számára)
 - a használt villamos és elektronikai készülékekről szóló 2012/19/EK irányelv és annak a nemzeti jogba való átültetése szerint az elhasznált elektromos kéziszerszámokat külön kell gyűjteni, és környezetbarát módon újra kell hasznosítani
 - erre emlékeztet a ⑤ jelzés, amennyiben felmerül az intézkedésre való igény

ZAJ / REZGÉS

- Az EN 60745-es szabványnak megfelelően végzett mérés szerint a szerszám hangnyomása 94,2 dB(A), hangerőszintje 105,2 dB(A) (bizonytalanság K = 3 dB), a vibráció pedig * (háromtengelyű vektor összege; bizonytalanság K = 1,5 m/s²)
 - * fém fűrésakor < 2,5 m/s²
 - * beton ütvefűrésakor 11,1 m/s²
- A rezgés-kibocsátási szint mérése az EN 60745 szabványban meghatározott szabványosított teszttel összhangban történt; ez egy eszköznek egy másik eszközzel történő összehasonlítására, illetve a rezgésnek való kitettség előzetes felmérésére használható fel az eszköznek az említett alkalmazásokra történő felhasználása során
 - az eszköznek eltérő alkalmazásokra, vagy eltérő, illetve rosszul karbantartott tartozékokkal történő felhasználása jelentősen **emelheti** a kitettség szintjét
 - az idő, amikor az eszköz ki van kapcsolva, vagy amikor ugyan működik, de ténylegesen nem végez munkát, jelentősen **csökkentheti** a kitettség szintjét
 - ! az eszköz és tartozékai karbantartásával, kezének melegen tartásával, és munkavégzésének megszervezésével védje meg magát a rezgések hatásaitól

CZ

Příklepová vrtačka

6745

ÚVOD

- Nářadí je určeno k příklepovému vrtání do dřeva jakož i k vrtání do dřeva, kovu, keramiky a umělé hmoty
- Tento nástroj není určen k profesionálnímu použití
- Tento návod s pokyny si pečlivě přečtěte a uschovejte ③

TECHNICKÁ DATA ①

SOUČÁSTI NÁSTROJE ②

- A Vypínač zapnout/vypnout a regulace rychlosti
- B Tlačítko k zajištění vypínače
- C Kolečko na kontrola maximální rychlosti
- D Spínač na změnu směru otáček
- E Spínač na volbu mechanické rychlosti
- F Spínač na volbu vrtání funkce
- G Pomocná rukojeť
- H Větrací štěrbina

BEZPEČNOST

OBECNÉ BEZPEČNOSTNÍ POKYNY PRO ELEKTRONÁRAĐÍ

VAROVÁNÍ Přečtete si veškerá bezpečnostní upozornění, pokyny, obrázky a technické údaje, které jsou s tímto elektrickým nástrojem dodávány. Nedodržení všech níže uvedených pokynů může vést k úrazu elektrickým proudem, požáru a/nebo vážnému zranění.

Všechny pokyny a výstrahy uchovejte pro budoucí potřebu.

Ve varovných upozorněních použitý pojem "elektronářadí" se vztahuje na elektronářadí provozované na el. síti (se síťovým kabelem) a na elektronářadí provozované na akumulátoru (bez síťového kabelu).

1) BEZPEČNOST PRACOVNÍHO MÍSTA

- a) **Udržujte Vaše pracovní místo čisté a uklizené.** Nepořádek nebo neosvětlené pracovní oblasti mohou vést k úrazům.
- b) **Se strojem nepracujte v prostředích ohrožených explozí, kde se nacházejí hořlavé kapaliny, plyny nebo prach.** Elektronářadí vytváří jiskry, které mohou prach nebo páry zapálit.
- c) **Děti a jiné osoby udržujte při použití elektronářadí daleko od Vašeho pracovního místa.** Při rozptýlení můžete ztratit kontrolu nad strojem.

2) ELEKTRICKÁ BEZPEČNOST

- a) **Připojovací zástrčka stroje musí lícovat se zásuvkou. Zástrčka nesmí být žádným způsobem upravena. Společně se stroji s ochranným uzemněním nepoužívejte žádné adaptérové zástrčky.** Neupravené zástrčky a vhodné zásuvky snižují riziko elektrického úderu.
- b) **Zabraňte kontaktu těla s uzemněnými povrchy, jako např. potrubí, topení, sporáky a chladničky.** Je-li Vaše tělo uzemněno, existuje zvýšené riziko elektrického úderu.
- c) **Chraňte stroj před deštěm a vlhkem.** Vniknutí vody do elektrického stroje zvyšuje nebezpečí elektrického úderu.
- d) **Dbejte na účel kabelu, nepoužívejte jej k nošení či zavěšení stroje nebo vytažení zástrčky ze zásuvky. Udržujte kabel daleko od tepla, oleje, ostrých hran nebo pohyblivých dílů stroje.** Poškozené nebo spletené kabely zvyšují riziko elektrického úderu.
- e) **Pokud pracujete s elektronářadím venku, použijte pouze takové prodlužovací kabely, které jsou schváleny i pro venkovní použití.** Použití prodlužovacího kabelu, jež je vhodný pro použití venku, snižuje riziko elektrického úderu.
- f) **Pokud se nelze vyhnout provozu elektronářadí ve vlhkém prostředí, použijte ochranný jistič.** Nasazení ochranného jističe snižuje riziko úderu elektrickým proudem.

3) BEZPEČNOST OSOB

- a) **Buďte pozorní, dávejte pozor na to, co děláte a přistupujte k práci s elektronářadím rozumně. Stroj nepoužívejte pokud jste unaveni nebo pod vlivem drog, alkoholu nebo léků.** Moment nepozornosti při použití elektronářadí může vést k vážným poraněním.

- b) **Noste osobní ochranné pomůcky a vždy ochranné brýle.** Nošení osobních ochranných pomůcek jako maska proti prachu, bezpečnostní obuv s protiskluzovou podrážkou, ochranná přilba nebo sluchátka, podle druhu nasazení elektronářadí, snižují riziko poranění.
 - c) **Zabraňte neúmyslnému uvedení do provozu. Přesvědčte se, že je elektronářadí vypnuté dříve než jej uchopíte, poneseťe či připojíte na zdroj proudu a/ nebo akumulátor.** Máte-li při nošení elektronářadí prst na spínači nebo pokud stroj připojíte ke zdroji proudu zapnutý, pak to může vést k úrazům.
 - d) **Než stroj zapnete, odstraňte seřizovací nástroje nebo šroubovák.** Nástroj nebo klíč, který se nachází v otáčivém dílu stroje, může vést k poranění.
 - e) **Nepřečehujte se. Zajistěte si bezpečný postoj a vždy udržujte rovnováhu.** Tím můžete stroj v neočekávaných situacích lépe kontrolovat.
 - f) **Noste vhodný oděv. Nenoste žádný volný oděv nebo šperky. Vlasy a oděv udržujte daleko od pohyblivých se dílů.** Volný oděv, šperky nebo dlouhé vlasy mohou být zachyceny pohyblivými se díly.
 - g) **Lze-li namontovat odsávací či zachycující přípravky, přesvědčte se, že jsou připojeny a správně použity.** Použití odsávacího prachu může snížit ohrožení prachem.
 - h) **Dbejte na to, abyste při častém používání náradí nebyli méně ostražití a nezapomínali na bezpečnostní zásady.** Nedbalé ovládání může způsobit těžké poranění za zlomek sekundy.
- ### 4) SVĚDOMITÉ ZACHÁZENÍ A POUŽÍVÁNÍ ELEKTRONÁRAĐÍ
- a) **Stroj nepřetěžujte. Pro svou práci použijte k tomu určený stroj.** S vhodným elektronářadím budete pracovat v dané oblasti výkonu lépe a bezpečněji.
 - b) **Nepoužívejte žádné elektronářadí, jehož spínač je vadný.** Elektronářadí, které nelze zapnout či vypnout je nebezpečné a musí se opravit.
 - c) **Než provedete seřízení stroje, výměnu dílů příslušenství nebo stroj odložíte, vytáhnete zástrčku ze zásuvky a/nebo odstraňte odpojitelny akumulátor.** Toto preventivní opatření zabrání neúmyslnému zapnutí stroje.
 - d) **Uchovávejte nepoužívané elektronářadí mimo dosah dětí. Nenechte stroj používat osobám, které se strojem nejsou seznámeny nebo nečetly tyto pokyny.** Elektronářadí je nebezpečné, je-li používáno nezkušenými osobami.
 - e) **Pečujte o elektronářadí a příslušenství svědomitě. Zkontrolujte, zda pohyblivé díly stroje bezvadně fungují a nevzpříčují se, zda díly nejsou zlomené nebo poškozené tak, že je omezena funkce stroje. Poškozené díly nechte před nasazením stroje opravit.** Mnoho úrazů má příčinu ve špatně udržovaném elektronářadí.
 - f) **Rezné nástroje udržujte ostré a čisté.** Pečlivě ošetřované rezné nástroje s ostrými reznými hranami se méně vzpříčují a dají se lehčeji vést.
 - g) **Používejte elektronářadí, příslušenství, nasazovací nástroje apod. podle těchto pokynů. Respektujte přítom pracovní podmínky a prováděnou činnost.** Použití elektronářadí pro jiné než určující použití může vést k nebezpečným situacím.
 - h) **Udržujte rukojeti a úchytné plochy suché, čisté a bez oleje a maziva.** Kluzké rukojeti a úchytné plochy

neumožňují bezpečnou manipulaci a ovládání nářadí v neočekávaných situacích.

5) SERVIS

- a) **Nechte Váš stroj opravit pouze kvalifikovaným odborným personálem a pouze s originálními náhradními díly.** Tím bude zajištěno, že bezpečnost stroje zůstane zachována.

BEZPEČNOSTNÍ PŘEDPISY PRO PŘÍKLEPOVOU VRTAČKU

1) BEZPEČNOSTNÍ PŘEDPISY PRO VEŠKERÉ ČINNOSTI

- a) **Při práci s příklepovou vrtáčkou chraňte svůj sluch.** Působení hluku může způsobit ztrátu sluchu.
- b) **Používejte pomocné rukojeti.** Ztráta kontroly může vést ke zranění.
- c) **Pokud provádíte práce, při kterých může nasazovací nástroj nebo šroub zasáhnout skrytá elektrická vedení nebo vlastní šňůru, pak držte elektronářadí za izolovanou část.** Kontakt s vedením pod napětím může přivést napětí i na kovové díly elektronářadí a vést k úderu elektrickým proudem.

2) BEZPEČNOSTNÍ PŘEDPISY PRO POUŽÍVÁNÍ DLOUHÝCH VRTÁKŮ

- a) **Nikdy nepoužívejte vrták při vyšších než maximálních otáčkách vrtáku.** Kdyby se vrták při vyšších otáčkách volně otáčel, aniž by byl v kontaktu s vrtaným materiálem, mohl by se ohnout a někoho zranit.
- b) **Při nejdříve začnete vrtat při nižších otáčkách a s vrtákem v kontaktu s vrtaným materiálem.** Kdyby se vrták při vyšších otáčkách volně otáčel, aniž by byl v kontaktu s vrtaným materiálem, mohl by se ohnout a někoho zranit.
- c) **Tlačte na nástroj pouze v přímé linii s vrtákem a netlačte příliš.** Vrtáky by se mohly ohnout, zlomit nebo vypadnout, což by mohlo vést ke zranění.

OBECNÉ

- Tento nástroj nesmí používat osoby mladší 16 let
- **Před seřizováním, měněním pilových listů a příslušenství, vždy vytáhněte zástrčku nářadí z el. sítě**
- Používejte zcela rozvinuté a bezpečně prodlužovací šňůry o kapacitě 16 ampér
- **Neopracovávejte žádný materiál obsahující azbest (azbest je karcinogenní)**
- Prach z látek, jako jsou barvy obsahující olovo, některé druhy dřeva, minerály a kovy, může být škodlivý (kontakt s prachem nebo jeho vdechnutí může způsobit alergickou reakci a/nebo vyvolat respirační choroby u obsluhy nebo přihlízejících); **noše protiprachovou masku a pracujte se zařízením na odsávání prachu, pokud je možné jej připojit**
- Některé druhy prachu jsou klasifikovány jako karcinogenní (například dubový a bukový prach) zejména ve spojení s přísadami pro úpravu dřeva; **noše protiprachovou masku a pracujte se zařízením na odsávání prachu, pokud je možné jej připojit**
- Dodržujte stanovená nařízení pro práci v prašném prostředí

PŘED POUŽITÍM

- Vždy zkontrolujte, zda je napájecí napětí stejné jako napětí uvedené na typovém štítku nástroje
- Vrtáčku nepoužívejte je-li navlhla a nepracujte v blízkosti snadno zápalných nebo výbušných materiálů; před

zahájením práce je odstraňte

- **Použijte vhodné hledací přístroje k vyhledání skrytých přírodních vedení nebo přivězte místní dodavatelskou společnost** (kontakt s el. vedením může vést k požáru a elektrickému úderu; poškození plynového vedení může vést k explozi; proniknutí do vodovodního potrubí může způsobit věcné škody nebo elektrický úder)
- **Zajistěte obráběný díl** (obráběný díl uchycený pomocí upinacích zařízení nebo ve svěráku je mnohem bezpečnější než v ruce)
- Nikdy nástroj nepoužívejte, je-li jeho přírodní šňůra poškozená, šňůra musí být vyměněna za speciálně navrženou šňůru, která je k dispozici přes servisní středisko.

PŘÍSLUŠENSTVÍ

- SKIL zajistí bezvadnou funkci nářadí pouze tehdy, používáte-li původní značkové
- Používejte pouze příslušenství, jejichž dovolené otáčky jsou alespoň tak vysoké jako nejvyšší otáčky stroje naprázdno

BĚHEM POUŽITÍ

- Šňůru udržujte vždy mimo dosah pohyblivých částí nástroje
- Jestliže se vrták neočekávaně zadře (a způsobí náhlou, nebezpečnou reakci), okamžitě nástroj vypněte
- Nezapomeňte, že při zadření vznikají určité síly (zejména při vrtání kovů); **vždy držte nářadí za pomocná rukojeť G** a pevně se postavte
- V případě atypického chování nebo cizích hluků ihned vypněte nářadí a vytáhněte zástrčku
- Jestliže přírodní šňůru při práci podkóдите nebo proříznete, nedotýkejte se jí a okamžitě ji vytáhněte ze síťové zásuvky

PO POUŽITÍ

- Jakmile se hodláte vzdálit od nářadí, měl byste ho vypnout a vyčkat, dokud se pohybující části nezastaví

VYSVĚTLENÍ SYMBOLŮ NA NÁŘADÍ

- ③ Před použitím si přečtěte návod k použití
- ④ Dvojitá izolace (není nutný zemnicí drát)
- ⑤ Nářadí nevyhazujte do komunálního odpadu

OBSLUHA

- Zapnuto/vypnuto ⑥
- Aretace spínače pro nepřetržitě použití ⑦
- Regulator rychlosti k hladkému startu ⑧
- Kontrola maximální rychlosti ⑨
Pomocí ovladače C se reguluje plynule maximální rychlost od nízké až po vysokou
- zapněte nářadí
- zajistěte spínač
- otáčejte kolečkem C pro nastavení maximální rychlosti
- Mechanická volba převodu ⑩
- přepínačem E nastavit požadovaní rychlosti
! přepínač volby převodu ovládejte během chodu nástroje docílitě
1 = NÍZKÁ RYCHLOST
- vysoký točivý moment
- k vrtání velkého průměru
- k řezání vnitřního závitu
2 = VYSOKÁ RYCHLOST
- nejnižší točivý moment
- k vrtání menších průměrů
- Změna směru otáček ⑪
- jestliže poloha doleva/doprava správně nezapadne, není možno zapnout vypínač A ②

! směr otáček se smí změnit pouze je-li nástroj zcela zastaven

- Normální vrtání oproti vrtacímu kladivu ⑫
- ! funkce vrtání nastavujte pouze při vypnutém nástroji a když je zástrčka odpojena
- Výměna hrotů ⑬
 - zasuňte hrot co nejhlouběji do sklíčidle
- ! nepoužívejte hroty s poškozeným dřikem
- Seřizování hloubky vrtání ⑭
- Držení a vedení nástroje ⑮
 - vždy držte nářadí za pomocná rukojeť G (Ize ji regulovat podle obrázku)
- ! při práci vždy držte nástroj v šedě zbarvené oblasti rukojeti
 - udržujte větrací štěrby volně
 - na přístroj příliš netlačte; nechte jej, aby pracoval za vás

NÁVOD K POUŽITÍ

- Používejte správné vrtáky ⑯
 - ! používejte pouze ostré hroty
- Při vrtání do betonu nebo kamene se musí vyvíjet stálý tlak
- Při vrtání v kovu
 - předvrtejte napřed malý otvor
 - vrták při práci občas naolejujte
- Vrtání dřeva bez vzniku třísek ⑰
- Bezprašné vrtání zdi ⑱
- Bezprašné vrtání stropů ⑲
- Vrtání dlaždic bez skluzu ⑳
- Další informace najdete na www.skil.com

ÚDRŽBA / SERVIS

- Tento nástroj není určen k profesionálnímu použití
- Nástroj a přívodní šňůru udržujte čisté (zejména větrací štěrbyin H ②)
 - ! před čištěním odpojte zástrčku
- Pokud dojde i přes pečlivou výrobu a náročné kontroly k poruše nástroje, světe provedení opravy autorizovanému servisnímu středisku pro elektronářadí firmy SKIL
 - zašlete nástroj nerozebraný spolu s potvrzením o nákupu své prodejny nebo nejbližšímu servisu značky SKIL (adresy a servisní schema nástroje najdete na www.skil.com)
- Uvědomte si, že na poškození způsobené přetížením nebo nesprávným zacházením se nevztahuje záruka (záruční podmínky společnosti SKIL najdete na adrese www.skil.com nebo se obraťte na prodejce)

ŽIVOTNÍ PROSTŘEDÍ

- Elektrické nářadí, doplňky a balení nevyhazujte do komunálního odpadu (jen pro státy EU)
 - podle evropské směrnice 2012/19/EG o nakládání s použitými elektrickými a elektronickými zařízeními a odpovídajících ustanovení právních předpisů jednotlivých zemí se použítá elektrická nářadí, musí sbírat odděleně od ostatního odpadu a podrobit ekologicky šetrnému recyklování
 - symbol ⑤ na to upozorňuje

HLUČNOSTI / VIBRACÍ

- Při měření v souladu s normou EN 60745 je hladina akustického tlaku tohoto nástroje 94,2 dB(A), hladina hlučnosti 105,2 dB(A) (nepřesnost K = 3 dB) a vibrace *

(celkové hodnoty vibrací; nepřesnost K = 1,5 m/s²)

* při vrtání do kovu < 2,5 m/s²

* při vrtání do betonu s přiklepem 11,1 m/s²

- Úroveň vibrací byla měřena v souladu se standardizovaným testem podle EN 60745; je možné ji použít ke srovnání jednoho přístroje s druhým a jako předběžně posouzení vystavování se vibracím při používání přístroje k uvedeným aplikacím
 - používání přístroje k jiným aplikacím nebo s jiným či špatně udržovaným příslušenstvím může zásadně zvýšit úroveň vystavení se vibracím
 - doba, kdy je přístroj vypnutý nebo kdy běží, ale ve skutečnosti není využíván, může zásadně snížit úroveň vystavení se vibracím
- ! chraňte se před následky vibrací tak, že budete dbát na údržbu přístroje a příslušenství, budete si udržovat teplé ruce a uspořádáte si své pracovní postupy

TR

Darbeli matkap

6745

GİRİŞ

- Bu alet, tuğla malzemede darbeli delme ile tahta, metal, seramik ve plastik malzemede delme işleri için geliştirilmiştir
- Bu alet profesyonel kullanıma yönelik değildir
- Bu kullanıma kılavuzunu okuyun ve saklayın ③

TEKNİK VERİLER ①

ALET BİLEŞENLERİ ②

- A Açma/kapama ve hız kontrol anahtarı
- B Anahtar kilitleme düğmesi
- C Maksimum hız ayar düğmesi
- D Dönüş yönü değiştirme düğmesi
- E Vites seçme şalteri
- F Delme fonksiyonu seçme anahtarı
- G Yedek tutamak
- H Havalandırma yuvaları

GÜVENLİK

GENEL ELEKTRİKLİ EL ALETİ GÜVENLİK UYARILARI

UYARI Bu elektrikli alet ile birlikte verilen tüm uyarıları, talimatları, resimleri ve özellikleri okuyun.

Aşağıda listelenen talimatların tamamına uyulmaması durumunda elektrik çarpması, yangın ve/veya ciddi yaralanmalar meydana gelebilir.

Tüm uyarı ve talimatları ilerde kullanmak üzere saklayın.

Uyarı ve talimat hükümlerinde kullanılan "elektrikli el aleti" kavramı, akım şebekesine bağlı (şebeke bağlantı kablosu ile) aletlerle akü ile çalışan aletleri (akım şebekesine bağlantısı olmayan aletler) kapsamaktadır.

1) ÇALIŞMA YERİ GÜVENLİĞİ

- a) Çalıştığınız yeri temiz ve düzenli tutun. Düzensizlik veya yetersiz aydınlatma kazalara neden olabilir.

- b) Yanıcı sıvıların, gazların veya tozların bulunduğunu patlama tehlikesi olan yer ve mekânlarda aletle çalışmayın. Elektrikli el aletleri, toz veya buharların tutuşmasına veya yanmasına neden olan kıvılcımlar çıkarırlar.
- c) Elektrikli el aletiyle çalışırken çocukları ve başkalarını çalışma alanınızın uzağında tutun. Yakınızdaki bulunan kişiler dikkatinizi dağıtabilir ve bu da alet üzerindeki kontrolünüzü kaybetmenize neden olabilir.
- 2) ELEKTRİKSEL GÜVENLİK
- a) Aletin bağlantı fişi prize uymalıdır. Fişi hiçbir şekilde değiştirmeyin. Koruyucu topraklamalı aletlerle adaptörlü fiş kullanmayın. Değiştirilmemiş, orijinal fiş ve uygun prizler elektrik çarpmaya tehlikesini azaltır.
- b) Borular, kalorifer tesisatı, ısıtıcılar ve buzdolapları gibi topraklanmış yüzeylerle bedensel temasa geçmekten kaçının. Eğer bedeniniz topraklanacak olursa yüksek bir elektrik çarpmaya tehlikesi ortaya çıkar.
- c) Aleti yağmur ve nemden koruyun. Elektrikli el aletinin içine suyun sızması elektrik çarpmaya tehlikesini yükseltir.
- d) Kabloyu kendi amacı dışında kullanmayın; örneğin aleti kablodan tutarak taşımayın, aleti kablo ile asmayın veya kablodan çekerek fişi prizden çıkarmayın. Kabloyu aşırı sıcaktan, yağlardan, keskin kenarlı cisimlerden veya aletin hareketli parçalarından uzak tutun. Hasarlı veya dolaşmış kablo elektrik çarpmaya tehlikesini yükseltir.
- e) Elektrikli el aletiyle açık havada çalışırken mutlaka açık havada kullanılmaya uygun uzatma kablosu kullanın. Açık havada kullanılmaya uygun uzatma kablosunun kullanılması elektrik çarpmaya tehlikesini azaltır.
- f) Elektrikli el aletinin nemli ortamlarda çalıştırılması şartsa, mutlaka kaçak akım cihazı (RCD) kullanın. RCD kullanımı elektrik çarpmaya tehlikesini azaltır.
- 3) KİŞİLERİN GÜVENLİĞİ
- a) Dikkatli olun, ne yaptığınıza dikkat edin ve elektrikli el aletiyle çalışırken makul hareket edin. Yorgunsanız, ilaç kullanıyorsanız veya uyuşturucu madde ya da alkol etkisi altındaysanız aleti kullanmayın. Aleti kullanırken bir anlık dikkatsizliğiniz ciddi yaralanmalara yol açabilir.
- b) Daima kişisel korunma donanımları ve bir koruyucu gözlük kullanın. Elektrikli el aletinin türü ve kullanımına uygun olarak kullanacağınız toz maskesi, kaymayan sağlam iş ayakkabıları, koruyucu kask veya koruyucu kulaklık gibi kişisel korunma donanımlarını kullanmanız yaralanma tehlikesini büyük ölçüde azaltır.
- c) Aleti yanlışlıkla çalıştırmaktan kaçının. Akım ikmal bebesine ve/veya aküye bağlamadan, elinize alıp taşımadan önce elektrikli el aletinin kapalı durumda olduğundan emin olun. Elektrikli el aletinin parmağınız şalter üzerinde dururken taşırsanız ve alet açırken fişi prize sokarsanız kazalara neden olabilirsiniz.
- d) Aleti çalıştırmadan önce ayar aletlerini veya tornavidaları aletten uzaklaştırın. Dönen alet parçasına temas halinde bulunan bir uç veya anahtar yaralanmalara neden olabilir.
- e) Kendinize çok fazla güvenmeyin. Duruşunuzun güvenli olmasına dikkat edin ve daima dengenizi koruyun. Bu sayede aleti beklenmedik durumlarda daha iyi kontrol edersiniz.
- f) İyi iş elbiseleri giyin. Geniş giysiler giymeyin ve takı takmayın. Saçlarınızı ve giysilerinizi aletin

hareketli parçalarından uzak tutun. Bol giysiler, takılar veya uzun saçlar aletin hareketli parçaları tarafından tutulabilir.

- g) Aletinize toz emme donanımı ve toz tutma donanımı takılabiliyorsa, bunların bağlı olup olmadığını ve doğru işlev görünp görmediklerini kontrol edin. Toz emme donanımını kullanımı tozdan kaynaklanabilecek tehlikeleri azaltır.
- h) Aletleri sık kullanmanız sebebiyle kazandığınız alışkanlıklar, güvenlik prensiplerine uymazdı önlememlidir. Dikkatsiz bir hareket, bir anda ciddi yaralanmalara yol açabilir.
- 4) ELEKTRİKLİ EL ALETLERİYLE DİKKATLİ ÇALIŞMAK VE ALETİ DOĞRU KULLANMAK
- a) Aleti aşırı ölçüde zorlamayın. İşinize uygun elektrikli el aletini kullanın. Uygun elektrikli el aleti ile belirtilen performans alanında daha iyi ve daha güvenli çalışırsınız.
- b) Açma/kapama şalteri arızalı olan elektrikli el aletini kullanmayın. Açılıp kapanamayan bir elektrikli el aleti tehlikelidir ve onarılması gerekir.
- c) Alette bir ayarlamaya işlemeye başlamadan, herhangi bir aksesuarı değiştirirken veya aleti elinizden bırakırken fişi prizden çekin veya aküyü çıkarın. Bu önlem, elektrikli el aletinin yanlışlıkla çalışmasını önler.
- d) Kullanım dışında aletin yanıklıkla çalışmasını önler. Kullanım dışında aleti işlevini tam olarak yerine ulaşılamayacağı bir yerde saklayın. Aleti kullanmayı bilmeyen veya bu güvenlik talimatını okumayan kişilerin aleti kullanımına izin vermeyin. Deneyimsiz kişiler tarafından kullanıldıkları takdirde elektrikli el aletleri tehlikeli olabilirler.
- e) Elektrikli el aletinin ve aksesuarların bakımını özenle yapın. Aletin hareketli parçalarının kusursuz işlev görünp görmediklerini ve sıkışmadıklarını, parçaların kırık veya hasarlı olup olmadıklarını kontrol edin, aksi takdirde alet işlevini tam olarak yerine getiremez. Aleti kullanmadan önce hasarlı parçaları onartın. Birçok iş kazası aletlerin kötü ve yetersiz bakımından kaynaklanır.
- f) Kesici uçları keskin ve temiz tutun. İyi bakım görmüş kesici uçlar daha ender sıkışır ve daha iyi yönlendirilirler.
- g) Elektrikli el aletlerini, aksesuarı, uçları ve benzerlerini bu güvenlik talimatına uygun olarak kullanın. Aleti kullanırken çalışma koşullarını ve yaptığınız işi daima dikkate alın. Elektrikli el aletlerini kendileri için öngörülen işlerin dışında kullanmak tehlikeli durumların ortaya çıkmasına neden olabilir.
- h) Tutamak ve kavrama yüzeylerini kuru, yağsız ve temiz tutun. Kaygan tutamak ve kavrama yüzeyleri, aletin beklenmeyen durumlarda güvenli şekilde tutulmasını ve kontrol edilmesini engeller.
- 5) SERVİS
- a) Aleti sadece uzman bir elemana ve orijinal yedek parçalar kullanılarak onartın. Böylelikle aletin güvenliğini korumuş olursunuz.

DARBELİ MATKAP İÇİN GÜVENLİK TALİMATI

- 1) TÛM İŞLEMLER İÇİN GÜVENLİK TALİMATLARI
- a) Darbeli delme yaparken kulak koruyucu kullanın. Gürültüye maruz kalmak işitme kaybına neden olabilir.
- b) Yardımcı tutamak(lar) kullanın. Kontrol kaybı yaralanmaya neden olabilir.

- c) **Kesici aksesuar veya kilitlerin gizli kablo tesisatına veya kendi kablosuna temas edebileceği yerlerde elektrikli aleti izolasyonlu tutamaklarından tutun.** "Akım taşıyan" bir tele temas eden kesim aksesuarı veya kilit, elektrikli aletin açıkta duran metal parçalarında da "akım dolaşmasına" ve operatörü elektrik çarpmasına neden olabilir.
- 2) **UZUN MATKAP UÇLARI KULLANIMI İÇİN GÜVENLİK TALİMATLARI**
- a) **Asla matkap ucunun maksimum hız değerinden daha yüksek hızda işlem yapmayın.** Daha yüksek hızlarda ucun iş parçasına temas etmeden serbestçe dönmeye izin verilmesi halinde uç bükülebilir ve yaralanmalara sebep olabilir.
- b) **Delmeye daima düşük hızda ve uç iş parçasına temas ederken başlayın.** Daha yüksek hızlarda ucun iş parçasına temas etmeden serbestçe dönmeye izin verilmesi halinde uç bükülebilir ve yaralanmalara sebep olabilir.
- c) **Sadece uç ile aynı hızda baskı uygulayın ve aşırı baskı uygulamaktan kaçının.** Uçlar bükülerek kırılma veya kontrol kaybı yaratıp yaralanmaya neden olabilir.

GENEL

- Bu alet 16 yaşın altındaki kişiler tarafından kullanılmamalıdır
- İstedığınız ayar değişikliklerini ve aksesuar değişikliklerini yapmadan önce mutlaka şebeke fişini prizden çekin**
- Tamamen kusursuz ve güvenli 16 Amp uzatma kabloları kullanın
- Bu aletle asbest içeren malzemeleri işlemeyin** (asbest kanserojen bir madde kabul edilir)
- Kurşun içeren boya, bazı ahşap türleri, mineral ve metal gibi malzemelerden çıkan toz zararlı olabilir (tozla temasta bulunulması veya solunması operatörde veya yakında bulunan kişilerde alerjik reaksiyonlara ve/veya solunum yolu hastalıklarına neden olabilir); **toz maskesi takın ve toz ekstraksiyon cihazıyla çalışın (bağlanabiliyorsa)**
- Bazı toz tipleri (örneğin meşe ve kayın ağacı tozu), bilhassa ahşap yenileme katkı maddeleriyle birlikte, karsinojenik olarak sınıflandırılır; **toz maskesi takın ve toz ekstraksiyon cihazı ile çalışın (bağlanabiliyorsa)**
- Çalışmak istediğiniz malzemelerin, toz ile ilgili ulusal taleplerini takip edin

KULLANMADAN ÖNCE

- Güç geriliminin, aletin özellik plakasında belirtilen voltaj değerine aynı olduğunu sık sık kontrol edin
- İş parçasının vida, çivi ve benzeri malzeme tarafından hasar görmemesi için dikkatli olun; çalışmaya başlamadan önce bunları çıkartın
- Görünmeyen elektrik kablolarını belirlemek için uygun bir tarama cihazı kullanın veya yerel akım ikmal şirketlerinden yardım isteyin** (elektrik kablolarıyla temas, yangın çıkmasına veya elektrik çarpmalarına neden olabilir; bir gaz borusu hasar görürse patlama tehlikesi ortaya çıkar; bir su borusunun delinmesi halinde maddi hasarlar meydana gelebilir veya elektrik çarpma tehlikesi ortaya çıkabilir)
- Çalıştığınız parçayı sabitleyin** (kıskaçlarla ya da mengeneyle sabitlenmiş bir iş parçası elle tutulan işten daha güvenlidir)
- Aleti asla kablo hasarlıyken kullanmayın; kablounun yetkili servis tarafından özel olarak hazırlanmış bir kablo ile değiştirilmesi gerekir.

AKSESUARLAR

- SKIL sadece orijinal aksesuarlar kullanıldığında aletin düzgün çalışmasını garanti eder
- Bu aletle kullanacağınız aksesuar edilen devir sayısı en azından aletin boştaki en yüksek devir sayısı kadar olmalıdır

KULLANIM SIRASINDA

- Kabloyu her zaman aletin hareketli parçalarından uzak tutun
- Eğer matkap beklenmedik şekilde sıkışrsa (ani tehlikeli bir tepkiye sebep olarak) aleti hemen kapatın
- Sıkışma yüzünden meydana gelebilecek güçlerin farkında olun (özellikle metal delerken); **daima yardımcı kulpunu G** ve güvenli bir duruş alın
- Elektriksel veya mekaniksel hatalı çalışma durumunda aleti hemen kapatın ve fişi çekin
- Eğer cihazı kullanırken kordon hasar görür ya da kesilirse, kordona kesinlikle dokunmayın ve derhal fişi çekin

KULLANIMDAN SONRA

- Aletinizi bırakıp gitmeden önce mutlaka kapatın ve döner parçaların tam olarak durmasını bekleyin

ALET ÜZERİNDEKİ SİMGELERİN AÇIKLAMASI

- ③ Kullanmadan önce kılavuzu okuyun
- ④ Çift yalıtım (topraklama kablosu gerekli değildir)
- ⑤ Aleti evdeki çöp kutusuna atmayın

KULLANIM

- Açma/kapama ⑥
- Sürekli kullanım için anahtar kilitleme ⑦
- Düzgün başlama için hız kontrolü ⑧
- Maksimum hız kontrolü ⑨
- Ayar düğmesi C ile maksimum hız en düşük değerde en yüksek değere kadar kademesiz olarak ayarlanabilir
 - aleti çalıştırın
 - şalteri tespit edin
 - ayar düğmesi C ile maksimum hızı seçin
- Mekanik vites seçimi ⑩
 - E şalterini istediğiniz devir pozisyonuna getirin
- ! vitesi değiştirme işlemini alet yavaş çalışırken yapın**
- 1 = DÜŞÜK DEVİR
 - yüksek tork
 - büyük çaplı delmeler için
 - diş açma için
- 2 = YÜKSEK DEVİR
 - düşük tork
 - küçük çaplı delmeler için
- Dönüş yönünü değiştirme ⑪
 - sol/sağ pozisyonları doğru olarak kilitlenme yapıldığı takdirde, açma/kapama şalteri A ② çalışmaz
- ! dönüş yönünü sadece alet tamamen dururken değiştirin**
- Normal delme ile darbeli delme ⑫
 - ! delme fonksiyonunu sadece alet kapalıyken ve cihazın fişi takılı değilken seçin**
- Uçları değiştirme ⑬
 - ! hasarlı uçları kullanmayın**
- Delik derinliğinin ayarlanması ⑭
- Aletin tutulması ve kullanılması ⑮
 - **daima yardımcı kulpunu G** (gösterildiği gibi ayarlanabilir)
 - **çalışma esnasında, aleti daima gri renkli bölge(ler) den tutun**

- havalandırma yuvalarını kapatmayın
- alete çok fazla baskı uygulamayın; bırakın alet sizin için gelişsin

UYGULAMA ÖNERİLERİ

- Uygun uçları kullanın ⁽¹⁶⁾
! sadece keskin uçlar kullanın
- Beton veya taştan delme yaparken, matkap ucu üzerine sürekli ve düzenli olarak baskı uygulanmalıdır
- Metalde delik açarken
 - önce küçük bir klavuz delik açın
 - matkap uçlarını belirli aralıklarla yağlayın
- Tahtada çatksız delme ⁽¹⁷⁾
- Duvarlarda tozsuz delme ⁽¹⁸⁾
- Tavanlarda tozsuz delme ⁽¹⁹⁾
- Fayans üzerinde kaydırmadan delme ⁽²⁰⁾
- Daha fazla bilgi için www.skil.com adresine bakın

BAKIM / SERVİS

- Bu alet profesyonel kullanıma yönelik değildir
- Aleti ve kablolarını daima temiz tutun (özellikle havalandırma yuvalarını H ⁽²⁾)
! temizmeden önce, cihazın fişini prizden çekin
- Dikkatli biçimde yürütülen üretim ve test yöntemlerine rağmen alet arıza yapacak olursa, onarım SKIL elektrikli aletleri için yetkili bir serviste yapılmalıdır
 - aleti **ambalajıyla** birlikte satın alma belgenizi de ekleyerek satıcınıza veya en yakın SKIL servisine ulaştırın (adresler ve aletin servisi şemaları www.skil.com adresinde listelenmiştir)
- Aşırı yüklenme ve yanlış kullanımı aleti garanti kapsamından çıkaracağını unutmayın (SKIL garanti koşulları için www.skil.com adresine bakın veya satıcınıza başvurun)

ÇEVRE

- **Elektrikli aletlerini, aksesuarları ve ambalajları evdeki çöp kutusuna atmayın** (sadece AB ülkeleri için)
 - kullanılmış elektrikli aletleri, elektrik ve elektronik eski cihazlar hakkındaki 2012/19/EC Avrupa yönergelerine göre ve bu yönergeler ulusal hukuk kurallarına göre uyarlanarak, ayrı olarak toplanmalı ve çevre şartlarına uygun bir şekilde tekrar değerlendirmeye gönderilmelidir
 - sembol ⁽⁵⁾ size bunu anımsatmalıdır

GÜRÜLTÜ / TİTREŞİM

- EN 60745 uyarınca ölçülen bu aletin ses basıncı seviyesi 94,2 dB(A) ve ses gücü seviyesi 105,2 dB(A) (tolerans K = 3 dB), titreşimi ise * (triaksi vektör toplamı; tolerans K = 1,5 m/s²)
* metalde delerken < 2,5 m/s²
* betonda darbeli delerken 11,1 m/s²
- Titreşim emisyon seviyesi EN 60745'te sunulan standart teste göre ölçülmüştür; bu seviye, bir aleti bir başkasıyla karşılaştırmak amacıyla ve aletin söz konusu uygulamalarda kullanılması sırasında titreşime maruz kalma derecesinin ön değerlendirmesi olarak kullanılabilir
 - aletin farklı uygulamalar için veya farklı ya da bakımı yetersiz yapılmış aksesuarlarla kullanılması, maruz kalma seviyesini belirgin biçimde **arttırabilir**
 - aletin kapalı olduğu veya çalıştığı ancak gerçek anlamda iş yapmadığı zamanlarda, maruz kalma

seviyesi belirgin biçimde **azalabilir**
! aletin ve aksesuarlarının bakımını yaparak, ellerinizi sıcak tutarak ve iş modellerinizi düzenleyerek kendinizi titreşimin etkilerinden koruyun

PL

Wiertarka udarowa

6745

WSTĘP

- Narzędzie to przeznaczone jest do wiercenia z udarem w cegle oraz do wiercenia w drewnie, metalu, materiałach ceramicznych i tworzywach sztucznych
- Narzędzie nie jest przeznaczone do zastosowań profesjonalnych
- Przeczytać i zachować niniejszą instrukcję obsługi ⁽³⁾

DANE TECHNICZNE ⁽¹⁾

ELEMENTY NARZĘDZIA ⁽²⁾

- A Przycisk włącznik/wyłącznik i regulator prędkości
- B Przycisk blokady włącznika
- C Pokrętko do kontrola maksymalnej prędkości obrotowej
- D Przełącznik zmiany kierunku rotacji
- E Przełącznik biegów
- F Przełącznik wyboru funkcji serwisa
- G Uchwyt dodatkowy
- H Szczeliny wentylacyjne

BEZPIECZEŃSTWO

OGÓLNE OSTRZEŻENIA DOTYCZĄCE BEZPIECZEŃSTWA UŻYTKOWANIA ELEKTRONARZĘDZIA

! OSTRZEŻENIE Należy przeczytać wszystkie ostrzeżenia dotyczące bezpieczeństwa, instrukcje, ilustracje i dane techniczne dostarczone z tym elektronarzędziem. Nieprzestrzeganie wszystkich poniższych instrukcji może skutkować porażeniem prądem, pożarem i/lub poważnym obrażeniem ciała.

Wszystkie ostrzeżenia i wskazówki należy zachować do dalszego zastosowania.

Użyte w poniższym tekście pojęcie "elektronarzędzie" odnosi się do elektronarzędzi zasilanych energią elektryczną z sieci (z przewodem zasilającym) i do elektronarzędzi zasilanych akumulatorami (bez przewodu zasilającego).

1) BEZPIECZEŃSTWO MIEJSCA PRACY

- a) **Miejsce pracy należy utrzymywać w czystości i dobrze oświetlone.** Nieporządek lub nie oświetlone miejsce pracy mogą doprowadzić do wypadków.
- b) **Nie należy pracować tym narzędziem w otoczeniu zagrożonym wybuchem, w którym znajdują się np. łatwopalne ciecz, gaz lub pył.** Elektronarzędzia wytwarzają iskry, które mogą podpalić ten pył lub parę.
- c) **Elektronarzędzie trzymać podczas pracy z daleka od dzieci i innych osób.** Przy nieuwadze można stracić kontrolę nad narzędziem.

2) BEZPIECZEŃSTWO ELEKTRYCZNE

- a) **Wtyczka urządzenia musi pasować do gniazda. Nie wolno modyfikować wtyczki w jakikolwiek sposób. Nie należy używać wtyczek adapterowych razem z uziemnionymi narzędziami.** Niezmienione wtyczki i pasujące gniazda zmniejszają ryzyko porażenia prądem.
 - b) **Należy unikać kontaktu z uziemnionymi powierzchniami jak rury, grzejniki, piece i lodówki.** Istnieje zwiększone ryzyko porażenia prądem, gdy Państwa ciało jest uziemnione.
 - c) **Urządzenie należy przechowywać zabezpieczone przed deszczem i wilgocią.** Wniknięcie wody do elektronarzędzia podwyższa ryzyko porażenia prądem.
 - d) **Nigdy nie należy używać kabla do innych czynności. Nigdy nie używać kabla do noszenia urządzenia za kabel, zawieszenia lub do wyciągania wtyczki z gniazda. Kabel należy trzymać z daleka od wysokich temperatur, oleju, ostrych krawędzi lub ruchomych części urządzenia.** Uszkodzone lub poplątane kable zwiększają ryzyko porażenia prądem.
 - e) **W przypadku, kiedy elektronarzędziem pracuje się na świeżym powietrzu należy używać kabla przedłużającego, który dopuszczony jest do używania na zewnątrz.** Użycie dopuszczonego do używania na zewnątrz kabla przedłużającego zmniejsza ryzyko porażenia prądem.
 - f) **Jeżeli nie da się uniknąć zastosowania elektronarzędzia w wilgotnym otoczeniu, należy użyć wyłącznika ochronnego różnicowo-prądowego.** Zastosowanie wyłącznika ochronnego różnicowo-prądowego zmniejsza ryzyko porażenia prądem.
- ## 3) BEZPIECZEŃSTWO OSÓB
- a) **Należy być uważnym, uważać na to co się robi i pracę elektronarzędziem rozpocząć z rozsądkiem. Nie należy używać urządzenia gdy jest się zmęczonym lub pod wpływem narkotyków, alkoholu lub lekarstw.** Moment nieuwagi przy użyciu urządzenia może doprowadzić do poważnych urażeń ciała.
 - b) **Należy nosić osobiste wyposażenie ochronne i zawsze okulary ochronne.** Noszenie osobistego wyposażenia ochronnego jak maska przeciwpyłowa, nie ślizgające się buty robocze, hełm ochronny lub ochrona słuchu, w zależności od rodzaju i zastosowania elektronarzędzia zmniejsza ryzyko obrażeń ciała.
 - c) **Należy unikać niezamierzonego uruchomienia narzędzia. Przed włożeniem wtyczki do gniazdka i/ lub podłączeniem do akumulatora, a także przed podniesieniem lub przeniesieniem elektronarzędzia, należy upewnić się, że elektronarzędzie jest wyłączone.** Trzymanie palca na wyłączniku podczas przenoszenia elektronarzędzia lub podłączenie do prądu włączonego narzędzia, może stać się przyczyną wypadków.
 - d) **Zanim urządzenie zostanie włączone należy usunąć narzędzia nastawcze lub klucze.** Narzędzie lub klucz, które znajdują się w ruchomych częściach urządzenia mogą doprowadzić do obrażeń ciała.
 - e) **Nie należy przeceniać swoich możliwości. Należy dbać o bezpieczną pozycję pracy i zawsze utrzymywać równowagę.** Przez to możliwa jest lepsza kontrola urządzenia w nieprzewidzianych sytuacjach.
 - f) **Należy nosić odpowiednie ubranie. Nie należy nosić luźnego ubrania lub biżuterii. Włosa i ubranie należy trzymać z daleka od ruchomych elementów.** Luźne ubranie, biżuteria lub długie włosy mogą zostać

pociągnięte przez poruszające się części.

- g) **W przypadku, kiedy możliwe jest zamontowanie urządzeń odsysających lub podchwytyjących należy upewnić się, czy są one właściwie podłączone i prawidłowo użyte.** Użycie urządzenia odsysającego pył może zmniejszyć zagrożenie pyłami.
 - h) **Nie wolno pozwolić, aby rutyna nabyta w wyniku wielokrotnego użycia elektronarzędzia, zastąpiła ściśle przestrzeganie zasad bezpieczeństwa.** Niedbale obsługiwane elektronarzędzie może w ułamku sekundy wyrządzić istotne szkody lub spowodować ciężkie obrażenia.
- ## 4) UWAŻNE OBCOWANIE ORAZ UŻYCIE ELEKTRONARZĘDZIA
- a) **Nie należy przeciążać urządzenia. Do pracy używać należy elektronarzędzia, które jest do tego przewidziane.** Odpowiednim narzędziem pracuje się lepiej i bezpieczniej w podanym zakresie sprawności.
 - b) **Nie należy używać elektronarzędzia, którego wyłącznik/wyłącznik jest uszkodzony.** Elektronarzędzie, którego nie można włączyć lub wyłączyć jest niebezpieczne i musi zostać naprawione.
 - c) **Przed rozpoczęciem jakichkolwiek prac nastawczych, przed wymianą osprzętu lub przed odłożeniem elektronarzędzia należy wyjąć wtyczkę z gniazda sieciowego i/ lub usunąć akumulator.** Ten środek ostrożności zapobiega niezamierzonemu włączeniu się urządzenia.
 - d) **Nie używane elektronarzędzia należy przechowywać poza zasięgiem dzieci. Nie należy udostępniać narzędzia osobom, które jego nie umiują lub nie przeczytały tych przepisów.** Używane przez niedoświadczone osoby elektronarzędzia są niebezpieczne.
 - e) **Elektronarzędzia i osprzęt należy utrzymywać w nienagannym stanie technicznym. Należy kontrolować, czy ruchome części urządzenia funkcjonują bez zarzutu i nie są zablokowane, czy części nie są pęknięte lub uszkodzone, co mogłoby mieć wpływ na prawidłowe funkcjonowanie urządzenia. Uszkodzone narzędzie należy przed użyciem urządzenia oddać do naprawy.** Wiele wypadków spowodowanych jest przez niewłaściwą konserwację elektronarzędzi.
 - f) **Osprzęt tnący należy utrzymywać ostry i czysty.** Starannie pielęgnowany osprzęt tnący z ostrymi krawędziami tnącymi blokuje się rzadziej i łatwiej się używa.
 - g) **Elektronarzędzia, osprzęt, narzędzia itd. należy używać odpowiednio do tych przepisów. Uwzględnić należy przy tym warunki pracy i czynności do wykonania.** Użycie elektronarzędzi do innych niż przewidziane prace może doprowadzić do niebezpiecznych sytuacji.
 - h) **Uchwyty i powierzchnie chwytowe powinny być zawsze suche, czyste, niezabrudzone olejem ani smarem.** Śliskie uchwyty i powierzchnie chwytowe nie pozwalają na bezpieczne trzymanie narzędzia i kontrolę nad nim w nieoczekiwanych sytuacjach.
- ## 5) SERWIS
- a) **Naprawę urządzenia należy zlecić jedynie wykwalifikowanemu fachowcowi i przy użyciu oryginalnych części zamiennych.** To gwarantuje, że bezpieczeństwo użytkowania zostanie zachowane.

PRZEPISY BEZPIECZEŃSTWA DO WIERTARKI UDAROWEJ

1) INSTRUKCJE BEZPIECZEŃSTWA ODNOSZĄCE SIĘ DO WSZYSTKICH OPERACJI

- a) **Podczas wiercenia udarowego zakładać ochronniki słuchu.** Narażenie na hałas może doprowadzić do utraty słuchu.
- b) **Użyć uchwytu dodatkowego.** Utrata kontroli może spowodować uszkodzenia ciała.
- c) **Podczas wykonywania prac, przy których narzędzia robocze lub śruby mogłyby natrafić na ukryte przewody elektryczne lub własny przewód, elektronarzędzia należy trzymać za izolowaną powierzchnię uchwytu.** Zetknięcie się narzędzia lub śruby z przewodem pod napięciem może spowodować przepływ prądu przez metalowe części elektronarzędzia i porażenie operatora.

2) INSTRUKCJE BEZPIECZEŃSTWA PODCZAS UŻYTKOWANIA DŁUGICH WIERTEL

- a) **Nigdy nie wiercić z większą prędkością niż maksymalna prędkość znamionowa wiertła.**
Przy wyższych prędkościach wiertło może się zgziąć, jeśli będzie obracać się bez kontaktu z obrabianym przedmiotem, czego skutkiem mogą być obrażenia ciała.
- b) **Zawsze należy rozpoczynać wiercenie od najniższej prędkości z końcówką wiertła przytkniętą do obrabianego przedmiotu.** Przy wyższych prędkościach wiertło może się zgziąć, jeśli będzie obracać się bez kontaktu z obrabianym przedmiotem, czego skutkiem mogą być obrażenia ciała.
- c) **Należy naciskać jedynie w linii wiertła, lecz nie należy dociskać zbyt mocno.** Wiertła mogą się zgziąć, powodując pęknięcia lub utratę kontroli, czego skutkiem mogą być obrażenia ciała.

OGÓLNE

- Narzędzie nie powinny używać dzieci poniżej 16 roku życia
- **Przed przystąpieniem do wykonywania jakichkolwiek czynności przy narzędziu, w czasie przerw w pracy jak również po jej zakończeniu wyjąć wtyczkę z gniazda sieciowego**
- W przypadku korzystania z kabla przedłużającego należy zwrócić uwagę, aby był maksymalnie nawinięty na bęben oraz był przystosowany do przewodzenia prądu o natężeniu przynajmniej 16 A
- **Nie należy obrabiać materiału zawierającego azbest** (azbest jest rakotwórczy)
- Pył pochodzący z takich materiałów, jak farby zawierające ołów, niektóre gatunki drzewa, minerały i metal może być szkodliwy (kontakt z nim lub wdychanie takiego pyłu może powodować reakcje alergiczne i/lub niewydolność oddechową u operatora lub osób towarzyszących); **należy zakładać maskę przeciwpyłową i pracować z urządzeniem odsysającym, jeżeli można je podłączyć**
- Niektóre rodzaje pyłu są zaklasyfikowane jako rakotwórcze (takie, jak pył dębu i buka) szczególnie w połączeniu z dodatkami do kondycjonowania drewna; **należy zakładać maskę przeciwpyłową i pracować z urządzeniem odsysającym pył, jeżeli można je podłączyć**
- Należy stosować się do lokalnych wymogów dotyczących pracy w otoczeniu pyłu powstającego podczas obróbki materiału

PRZED UŻYCIEM

- Każdorazowo należy sprawdzać, czy napięcie zasilania jest zgodne z napięciem podanym na tabliczce znamionowej urządzenia
- Uwaga na gwoździe, śruby i inne twarde przedmioty; przed przystąpieniem do obróbki powinny być usunięte z obrabianego przedmiotu; usunąć je przed rozpoczęciem pracy
- **Aby wykray ukryte przewody zasilające należy używać stosownych detektorów lub porumocmie się z miejscowymi zakładami energetycznymi** (kontakt z przewodami elektrycznymi może doprowadzić do pożaru i porażenia elektrycznego; uszkodzenie przewodu gazowego może doprowadzić do wybuchu; uszkodzenie przewodów instalacji wodociągowej powoduje szkody rzeczowe i może spowodować porażenie elektryczne)
- **Należy zabezpieczyć miejsce przeznaczone do zszycia** (miejsce przeznaczone do zszycia umieszczone w zaciskach lub imadle jest utrzymywane w miejscu bezpieczniejsze niż w ręku)
- Nigdy nie używać narzędzia, gdy przewód jest uszkodzony; musi on zostać wymieniony na przewód specjalny dostępny w sieci serwisowej.

AKCESORIA

- SKIL może zagwarantować bezawaryjne działanie narzędzia tylko przy korzystaniu z oryginalnego wyposażenia dodatkowego
- Używać tylko akcesoriów, których dopuszczalna prędkość obrotowa jest co najmniej tak wysoka jak najwyższa prędkość obrotowa urządzenia na biegu bez obciążenia

PODCZAS UŻYWANIA

- Kabel zasilający powinien stale znajdować się w bezpiecznej odległości od wirującej części elektronarzędzia
- Natychmiast wyłączyć narzędzie, gdy wiertło niespodziewanie ulegnie zakleszczeniu (wywołując nagłą, niebezpieczną reakcję)
- Należy zdawać sobie sprawę z sił, jakie powstają w wyniku zakleszczenia (szczególnie podczas wiercenia w metalu); **należy zawsze korzystać z pomocniczej uchwytu G** i zachowywać bezpieczną odległość
- W przypadku wadliwego działania mechanicznych lub elektrycznych elementów urządzenia, należy bezzwocznie odłączyć narzędzie i wyjąć wtyczkę
- W przypadku uszkodzenia lub przecięcia przewodu podczas pracy, nie wolno go dotykać, tylko należy natychmiast wyciągnąć z gniazdka wtyczkę

PO UŻYCIU

- Przed pozostawieniem elektronarzędzia należy odłączyć zasilanie elektryczne i odczekać do całkowitego zatrzymania się wrzeciona

OBJAŚNIENIE SYMBOLI NA NARZĘDZIU

- ③ Przed użyciem przeczytaj instrukcję obsługi
- ④ Podwójna izolacja (brak uzziemienia)
- ⑤ Nie wyrzucaj narzędzie wraz z odpadami z gospodarstwa domowego

UŻYTKOWANIE

- Włącz/wyłącz ⑥
- Blokada włącznika dla pracy ciągłej ⑦
- Regulacja prędkości dla płynnego startu ⑧
- Kontrola maksymalnej prędkości obrotowej ⑨
- Pokrętko C umożliwia dokonanie bezstopniowego wyboru maksymalnej prędkości obrotowej od wartości

minimalnych do maksymalnych

- włączyć narzędzie
- włącznik/wyłącznik zablokować
- wybrać pokrętelem C maksymalną prędkość obrotową
- Mechaniczne przełączanie biegów ⁽¹⁰⁾
 - ustawić przełącznik E do pożądanej prędkości
 - ! **przełącznik biegów przestawiać podczas ruchu z największą prędkością obrotową**
- 1 = NISKA PRĘDKOŚĆ
 - wysoki moment obrotowy
 - do wiercenia otworów o dużej średnicy
 - do gwintowania
- 2 = WYSOKA PRĘDKOŚĆ
 - niski moment obrotowy
 - do wiercenia otworów o małej średnicy
- Zmiana kierunku obrotów ⁽¹¹⁾
 - w przypadku niewłaściwej pozycji przełącznika w lewo/prawo przycisk włącznika/wyłącznika A ⁽²⁾ jest zablokowany
 - ! **kierunek obrotów zmieniać tylko wtedy, gdy narzędzie jest całkowicie zatrzymane**
- Normalne wiercenie i wiercenie z udarem ⁽¹²⁾
 - ! **rodzaj wiercenia wybierać tylko przy wyłączonym urządzeniu i odłączonym zasilaniu**
- Wymiana wiertła ⁽¹³⁾
 - wsunąć wiertło możliwie głęboko w uchwyt
 - ! **nie używać wiertła ze zniszczonym uchwytem**
- Ustawienie głębokości wiercenia ⁽¹⁴⁾
- Utrzymywanie i prowadzenie narzędzia ⁽¹⁵⁾
 - **należy zawsze korzystać z pomocniczy uchwytu G** (istnieje możliwość regulacji, tak jak przedstawiono na rysunku)
 - ! **podczas pracy zawsze trzymać narzędzie za uchwyt(y) ograniczone szarym kolorem**
 - szczeliny wentylacyjne powinny być odkryte
 - nie przyciskać narzędzia zbyt silnie; pozwól mu pracować dla ciebie

WSKAZÓWKI UŻYTKOWANIA

- Używać właściwych wiertła ⁽¹⁶⁾
 - ! **używać tylko ostrych wiertła**
- Wierzyto przy wierceniu w betonie powinno być stale dociśnięte do obrabianego materiału
- Wiercenie otworów w metalach, w skład których wchodzi żelazo
 - podczas wiercenia dużych otworów należy wstępnie wywiercić mały otwór
 - od czasu do czasu naoliwić wiertło
- Przewiercanie przedmiotów drewnianych bez wyrwania krawędzi ⁽¹⁷⁾
- Bezpyłowe wiercenie w ścianie ⁽¹⁸⁾
- Bezpyłowe wiercenie w suficie ⁽¹⁹⁾
- Wiercenie bez poślizgu w płytkach ceramicznych ⁽²⁰⁾
- Więcej informacji można znaleźć pod adresem www.skil.com

KONSERWACJA / SERWIS

- Narzędzie nie jest przeznaczone do zastosowań profesjonalnych
- Zawsze dbać o czystość narzędzia i przewodu zasilającego (a szczególnie otworów wentylacyjnych H ⁽²⁾)
- ! **przed przystąpieniem do czyszczenia należy wyjąć wtyk z gniazda sieciowego**

- Jeśli narzędzie, mimo dokładnej i wszechstronnej kontroli produkcyjnej ulegnie kiedykolwiek awarii, naprawę powinien przeprowadzić autoryzowany serwis elektronarzędzi firmy SKIL
 - odesłać **nierozebrany** narzędzie, wraz z dowodem zakupu, do dealera lub do najbliższego punktu usługowego SKIL (adresy oraz diagram serwisowy narzędzenia znajdują się na stronach www.skil.com)
- Prosimy pamiętać, że uszkodzenia spowodowane przeciążeniem lub niewłaściwym użytkowaniem narzędzia nie podlegają gwarancji (warunki gwarancji SKIL znajdują się na www.skil.com lub pytać swojego dealera)

ŚRODOWISKO

- **Nie wyrzucaj elektronarzędzi, akcesoriów i opakowania wraz z odpadami z gospodarstwa domowego** (dotyczy tylko państw UE)
 - zgodnie z Europejską Dyrektywą 2012/19/WE w sprawie zużytego sprzętu elektrotechnicznego i elektronicznego oraz dostosowaniem jej do prawa krajowego, zużyte elektronarzędzia należy posegregować i zutylizować w sposób przyjazny dla środowiska
 - w przypadku potrzeby pozbycia się narzędzia, akcesoriów i opakowania - symbol ⁽⁵⁾ przypomni Ci o tym

HAŁASU / WIBRACJE

- Poziom ciśnienia akustycznego mierzonego zgodnie z normą EN 60745 wynosi 94,2 dB(A), a poziom mocy akustycznej wynosi 105,2 dB(A) (odchylenie K = 3 dB), wibracja * (trójosiowa suma wektorowa; odchylenie K = 1,5 m/s²)
 - * podczas wiercenia w metalu < 2,5 m/s²
 - * podczas wiercenia z udarem w betonie 11,1 m/s²
- Poziom emisji wibracji został zmierzony zgodnie z testem standaryzowanym podanym w EN 60745; może służyć do porównania jednego narzędzia z innym i jako ocena wstępna narażenia na wibracje w trakcie używania narzędzia do wymienionych zadań
 - używanie narzędzia do innych zadań, lub z innymi albo źle utrzymanymi akcesoriami, może znacząco **zwiększyć** poziom narażenia
 - przypadki, kiedy narzędzie jest wyłączone lub jest czynne, ale aktualnie nie wykonuje zadania, mogą znacząco **zmniejszyć** poziom narażenia
 - ! **należy chronić się przed skutkami wibracji przez konserwację narzędzia i jego akcesoriów, zakładanie rękawic i właściwą organizację pracy**

RU

Ударная дрель

6745

В состав эксплуатационных документов, предусмотренных изготовителем для продукции, могут входить настоящее руководство по эксплуатации, а также приложения. Информация о подтверждении соответствия содержится в приложении.

Срок службы изделия

55 Срок службы изделия составляет 7 лет. Не

рекомендуется к эксплуатации по истечении 5 лет хранения с даты изготовления без предварительной проверки (дату изготовления см. на этикетке).

Перечень критических отказов и ошибочные действия персонала или пользователя

- не использовать с поврежденной рукояткой или поврежденным защитным кожухом
- не использовать при появлении дыма непосредственно из корпуса изделия
- не использовать с перебитым или оголенным электрическим кабелем
- не использовать на открытом пространстве во время дождя (в распыляемой воде)
- не включать при попадании воды в корпус
- не использовать при сильном искрении
- не использовать при появлении сильной вибрации

Критерии предельных состояний

- перетёрт или повреждён электрический кабель
- поврежден корпус изделия

Тип и периодичность технического обслуживания

Рекомендуется очистить инструмент от пыли после каждого использования.

Хранение

- необходимо хранить в сухом месте
- необходимо хранить вдали от источников повышенных температур и воздействия солнечных лучей
- при хранении необходимо избегать резкого перепада температур
- хранение без упаковки не допускается
- подробные требования к условиям хранения смотрите в ГОСТ 15150 (Условие 1)

Транспортировка

- категорически не допускается падение и любые механические воздействия на упаковку при транспортировке
- при разгрузке/погрузке не допускается использование любого вида техники, работающей по принципу зажима упаковки
- подробные требования к условиям транспортировки смотрите в ГОСТ 15150 (Условие 5)

ВНИМАНИЕ!

В случае возникновения перебоя в работе электроинструмента вследствие полного или частичного прекращения энергоснабжения или повреждения цепи управления энергоснабжением установите выключатель в положение Выкл., убедившись, что он не заблокирован (при его наличии) и отключите сетевую вилку от розетки или отсоедините съёмный аккумулятор (этим предотвращается неконтролируемый повторный запуск)

ВВЕДЕНИЕ

- Этот инструмент предназначен для сверления с ударом по кирпичу а также для сверления по дереву, металлу, керамике и пластмассе
- Данный инструмент не подходит для промышленного использования
- Прочитайте и сохраните с данной инструкцией ③

ТЕХНИЧЕСКИЕ ДАННЫЕ ①

СТРАНА ИЗГОТОВЛЕНИЯ

Сделано в Китае

ДЕТАЛИ ИНСТРУМЕНТА ②

- A** Курок-выключатель вкл/выкл и регулятор скорости
- B** Кнопка для загибания выключателя
- C** Колесико регулятора максимальной скорости
- D** Выключатель для изменения направления вращения
- E** Переключатель передач
- F** Переключатель установки функции сверления
- G** Вспомогательная ручка
- H** Вентиляционные отверстия

БЕЗОПАСНОСТЬ

ОБЩИЕ УКАЗАНИЯ ПО ТЕХНИКЕ БЕЗОПАСНОСТИ ОБ- РАЩЕНИЯ С ЭЛЕКТРОИНСТРУМЕНТАМИ

⚠ ВНИМАНИЕ! Следует ознакомиться со всеми правилами техники безопасности, инструкциями, иллюстрациями и техническими данными, содержащимися в прилагаемых к этому электроинструменту материалах. Несоблюдение нижеперечисленных инструкций в полном объеме может повлечь поражение электрическим током, пожар и/или серьезную травму.

Сохраняйте эти инструкции и указания для будущего использования.

Использованное в настоящих инструкциях и указаниях понятие "электроинструмент" распространяется на электроинструмент с питанием от сети (с кабелем питания от электросети) и на аккумуляторный электроинструмент (без кабеля питания от электросети).

1) БЕЗОПАСНОСТЬ РАБОЧЕГО МЕСТА

- Соблюдайте чистоту и поддерживайте надлежащую освещенность на рабочем месте.** Беспорядок на рабочем месте или его плохое освещение могут привести к несчастным случаям.
- Не используйте с электроинструментом во взрывоопасной среде, т.е. в непосредственной близости от легковоспламеняющихся жидкостей, газов или пыли.** В процессе работы электроинструмент искрит и искры могут воспламенить газы или пыль.
- При работе с электроинструментом не допускайте детей или посторонних на Ваше рабочее место.** Отвлечение Вашего внимания может привести к потере контроля над работой электроинструмента.

2) ЭЛЕКТРИЧЕСКАЯ БЕЗОПАСНОСТЬ

- Штепсельная вилка кабеля питания электроинструмента должна соответствовать розетке электросети. Не вносите никаких изменений в конструкцию вилки. Не используйте адапторы для электроинструмента с защитным заземлением.** Заводские штепсельные вилки и

соответствующие им сетевые розетки существенно снижают вероятность электрошока.

- b) **Избегайте механических контактов с такими заземленными поверхностями, как трубопроводы, системы отопления, плиты и холодильники.** При соприкосновении человека с заземленными предметами во время работы инструментом вероятность электрошока существенно возрастает.
- c) **Оберегайте электроинструмент от воздействия дождя и влаги.** Попадание воды в электроинструмент повышает вероятность электрического удара.
- d) **Используйте кабель строго по назначению. Не допускайтесь тянуть и передвигать электроинструмент за кабель или использовать кабель для вытягивания вилки из розетки. Оберегайте кабель инструмента от воздействия высоких температур, масла, острых кромок или движущихся частей электроинструмента.** Поврежденный или спутанный кабель повышает возможность электрического удара.
- e) **При работе на улице используйте удлинитель, предназначенный для работы вне помещения.** Использование такого удлинителя снижает вероятность электрического удара.
- f) **Если невозможно избежать применения электроинструмента в сыром помещении, то устанавливайте устройство защиты от утечки в землю.** Использование устройства защиты от утечки в землю снижает риск электрического поражения.

3) ЛИЧНАЯ БЕЗОПАСНОСТЬ

- a) **Будьте внимательны, следите за тем, что Вы делаете и выполняйте работу обдуманно. Не пользуйтесь электроинструментом, если Вы устали или находитесь под воздействием транквилизаторов, алкоголя или медицинских препаратов.** Секундная потеря концентрации в работе с электроинструментом может привести к серьезным травмам.
- b) **Используйте средства индивидуальной защиты. Защитные очки обязательны.** Средства индивидуальной защиты, такие как противопылевой респиратор, несскользящая защитная обувь, шлем-каска, средства защиты органов слуха применяются в соответствующих условиях работы обстоятельствах и минимизируют возможность получения травм.
- c) **Предотвращайте непреднамеренное включение электроинструмента. Перед подключением электроинструмента к электропитанию и/или к аккумулятору убедитесь в выключенном состоянии электроинструмента.** Если Вы при транспортировке электроинструмента держите палец на выключателе или включенный электроинструмент подключаете к сети питания, то это может привести к несчастному случаю.
- d) **Во избежание травм перед включением электроинструмента удалите регулировочный или гаечный ключ из вращающейся части электроинструмента.**
- e) **Не переоценивайте свои возможности. Твердо стойте на ногах и удерживайте равновесие.** В таком положении вы сможете лучше контролировать

электроинструмент в неожиданных ситуациях.

- f) **Используйте подходящую рабочую одежду. Не надевайте свободную одежду и украшения. Держите волосы и одежду вдали от движущихся частей.** Свободная одежда, украшения или длинные волосы легко могут попасть в движущиеся части электроинструмента.
 - g) **При наличии пылеотсасывающих и пылесборных приспособлений убедитесь в том, что они подсоединены и используются надлежащим образом.** Применение пылесоса может снизить опасности, создаваемые пылью.
 - h) **Хорошее знание электроинструментов, полученное в результате частого их использования, не должно приводить к самоуверенности и игнорированию техники безопасности обращения с электроинструментами.** Одно небрежное действие за долю секунды может привести к серьезным травмам.
- ### 4) ЭКСПЛУАТАЦИЯ И УХОД ЗА ЭЛЕКТРОИНСТРУМЕНТОМ
- a) **Не перегружайте электроинструмент. Используйте тот электроинструмент, который предназначен для данной работы.** С подходящим электроинструментом Вы выполните работу лучше и надежнее, используя весь диапазон его возможностей.
 - b) **Не используйте электроинструмент с неисправным выключателем.** Инструмент с неисправным выключателем опасен и подлежит ремонту.
 - c) **До начала наладки электроинструмента, замены принадлежностей или прекращения работы отключайте штепсельную вилку от розетки сети и/или выньте, если это возможно, аккумулятор.** Данная мера предосторожности предотвращает случайное включение электроинструмента.
 - d) **Храните неиспользуемый электроинструмент в недоступном для детей месте и не позволяйте использовать его лицам, не умеющим с ним обращаться или не ознакомленным с инструкцией по эксплуатации.** Электроинструменты представляют собой опасность в руках неопытных пользователей.
 - e) **Тщательно ухаживайте за электроинструментом и принадлежностями. Проверяйте безупречность функции подвижных частей, лёгкость их хода, целостность всех частей и отсутствие повреждений, которые могут негативно сказаться на работе инструмента. При обнаружении повреждений сдайте инструмент в ремонт.** Большое число несчастных случаев связано с неудовлетворительным уходом за электроинструментом.
 - f) **Режущие части инструмента необходимо поддерживать в заточенном и чистом состоянии.** При надлежащем уходе за режущими принадлежностями с острыми кромками они реже заклиниваются и инструмент лучше поддается контролю.
 - g) **Используйте электроинструмент, принадлежности, биты и т.д. в соответствии с данными инструкциями, исходя из**

особенностей условий и характера выполняемой работы. Использование электроинструмента не по назначению может привести к опасным последствиям.

- h) **Держите ручки и поверхности захвата сухими и чистыми, следите чтобы на них чтобы на них не было жидкой или консистентной смазки.** Скользкие ручки и поверхности захвата препятствуют безопасному обращению с инструментом и не дают надежно контролировать его в непредвиденных ситуациях.
- 5) **СЕРВИСНОЕ ОБСЛУЖИВАНИЕ**
- a) **Передавайте электроинструмент на сервисное обслуживание только квалифицированному персоналу, использующему только подлинные запасные части.** Это обеспечит сохранение безопасности электроинструмента.

УКАЗАНИЯ ПО БЕЗОПАСНОСТИ ЭКСПЛУАТАЦИИ УДАРНОЙ ДРЕЛИ

1) ПРАВИЛА ТЕХНИКИ БЕЗОПАСНОСТИ ПРИ ПРОВЕДЕНИИ ЛЮБЫХ ВИДОВ РАБОТ

- a) **При сверлении в ударном режиме следует применять средства защиты органов слуха.** Воздействие шума может привести к потере слуха.
- b) **Пользуйтесь вспомогательной ручкой (ручками).** Неспособность удерживать инструмент может привести к травме.
- c) **Инструмент следует держать за изолированные поверхности, если при использовании им режущий орган или крепеж может задеть скрытую проводку или шнур питания.** Контакт режущего органа или крепежа с находящейся под напряжением проводкой может привести к подаче напряжения на металлические части инструмента и поражению оператора электротоком.
- 2) **ТЕХНИКА БЕЗОПАСНОСТИ ПРИ ПОЛЬЗОВАНИИ ДЛИННЫМИ СВЕРЛАМИ**

- a) **Никогда не работайте с числом оборотов, превышающим рекомендованный для сверла максимум.** При более высоком числе оборотов сверло, вращаясь без контакта с заготовкой, может погнуться, что может повлечь за собой получение травм.
- b) **Сверление следует начинать на небольших оборотах, когда кончик сверла касается заготовки.** При более высоком числе оборотов сверло, вращаясь без контакта с заготовкой, может погнуться, что может повлечь за собой получение травм.
- c) **Давление следует прикладывать в направлении сверла, избегая чрезмерных усилий.** Сверло может погнуться, и дрель вырвет из рук, что может повлечь за собой получение травмы.

ОБЩЕЕ

- Инструмент нельзя использовать лицам в возрасте до 16 лет
- **Перед регулировкой или сменой принадлежности обязательно выньте вилку из сетевой розетки**
- Используйте полностью размотанные и безопасные удлинители, рассчитанные на ток не менее 16 А
- **Не обрабатывайте материалы с содержанием**

асбеста (асбест считается канцерогеном)

- Пыль от таких материалов, как свинцовосодержащая краска, некоторые породы дерева, минералы и металл, может быть вредна (контакт с такой пылью или ее вдыхание может стать причиной возникновения у оператора или находящихся рядом лиц аллергических реакций и/или респираторных заболеваний); **надевайте респиратор и работайте с пылеудаляющим устройством при включении инструмента**
- Некоторые виды пыли классифицируются как канцерогенные (например, дубовая или буковая пыль), особенно в сочетании с добавками для кондиционирования древесины; **надевайте респиратор и работайте с пылеудаляющим устройством при включении инструмента**
- Следуйте принятым в вашей стране требованиям/нормативам относительно пыли для тех материалов, с которыми вы собираетесь работать

ПЕРЕД ИСПОЛЬЗОВАНИЕМ

- Обязательно убедитесь, что напряжение питания соответствует напряжению, указанному на фирменном штемпеле инструмента
- Избегайте повреждений, которые могут быть вызваны винтами, гвоздями и прочими элементами, находящимися в обрабатываемом предмете; перед началом работы их нужно удалить
- **Используйте подходящие металлодетекторы для нахождения скрытых проводов снабжения или наведите справки в местных предприятиях коммунального хозяйства** (контакт с электропроводкой может привести к пожару и электрическому удару; повреждение газопровода может привести к взрыву; повреждение водопровода может привести к повреждению имущества или вызвать электрический удар)
- **Закрепите обрабатываемую деталь** (обрабатываемая деталь, зафиксированная посредством зажимных устройств или тисков, закрепляется лучше, нежели при помощи рук)
- Никогда не пользуйтесь инструментом с поврежденным кабелем питания; его необходимо заменить специальным кабелем питания, обратившись в сервисную организацию.

ПРИНАДЛЕЖНОСТИ

- SKIL обеспечивает надёжную работу инструмента только при использовании соответствующих приспособлений
- Используйте только принадлежности, предельно допустимая скорость вращения которых не меньше, чем максимальная скорость вращения прибора на холостом ходу

ВО ВРЕМЯ ИСПОЛЬЗОВАНИЯ

- Следите за тем, чтобы сетевой шнур не находился рядом с движущимися деталями инструмента
- Если сверло неожиданно заело (что приводит к непредсказуемому и опасному поведению инструмента), немедленно выключите инструмент
- Помните об усилиях, которое оказывается на инструмент при заедании сверла (особенно при работе по металлу); **обязательно используйте боковую рукоятку G** и займите устойчивое положение
- В случае любой электрической или механической неисправности немедленно выключите инструмент и выньте вилку из розетки

- При повреждении или разрезании сетевого шнура во время работы не прикасайтесь к нему, и немедленно выньте вилку из розетки

ПОСЛЕ ИСПОЛЬЗОВАНИЯ

- Перед тем как положить инструмент, выключите двигатель и убедитесь в том, что все движущиеся детали полностью остановились

ПОЯСНЕНИЕ К УСЛОВНЫМ ОБОЗНАЧЕНИЯМ НА ИНСТРУМЕНТЕ

- ③ Перед использованием ознакомьтесь с руководством по эксплуатации
- ④ Двойная изоляция (заземляющий провод не требуется)
- ⑤ Не выкидывайте инструмент вместе с бытовым мусором

ИСПОЛЬЗОВАНИЕ

- Вкл/Выкл ⑥
- Блокировка выключателя для продолжительного использования ⑦
- Чувствительный курок выключателя (реагирует на силу нажатия изменением скорости) ⑧
- Регулировка максимальной скорости ⑨
Маховиком С максимальную скорость вращения можно плавно от низкой до высокой
 - включите инструмент
 - заблокируйте переключатель
 - поворачивая колесико С выберите максимальную скорость вращения
- Механический выбор передачи ⑩
- установите переключатель Е на необходимую скорость

! переключать передачи допускается на низкой скорости инструмента

1 = НИЗКАЯ СКОРОСТЬ

- высокий крутящий момент
- для сверления отверстий большого диаметра
- для нарезания резьбы

2 = ВЫСОКАЯ СКОРОСТЬ

- низкий крутящий момент
- для сверления отверстий маленького диаметра

- Изменение направления вращения ⑪
- выключатель вкл/выкл А ② не работает, если не установлен в положение лево/право

! изменять направление вращения следует только в момент полной остановки инструмента

- Нормальное сверление ежима ударного сверления ⑫

! изменять установку функции сверления следует только когда инструмент отключен и вилка вынута из розетки

- Сменные биты ⑬
- вставьте бит в патрон до упора
- ! не используйте биты с поврежденным стволом**
- Регулировка глубины сверления ⑭

- Удержание и направление инструмента ⑮
- обязательно используйте боковую рукоятку G (регулируется, как показано на рисунке)

! во время работы, всегда держите инструмент за места правильного хвата, которые обозначены серым цветом

- не закрывайте вентиляционные отверстия
- не прилагайте чрезмерных усилий к инструменту; дайте инструменту поработать за Вас

СОВЕТЫ ПО ИСПОЛЬЗОВАНИЮ

- Используйте только надлежащие биты ⑯
! не пользуйтесь затупившимися битами
- При сверлении по бетону и камню к инструменту необходимо прилагать постоянное усилие
- Сверление черных металлов
 - при сверлении отверстия большего диаметра сначала просверлите отверстие меньшего диаметра
 - периодически смазывайте сверло
- Сверление по дереву без расщепления материала ⑰
- Сверление в стенах без пыли ⑱
- Сверление в потолках без пыли ⑲
- Сверлению по кафелю без проskalывания ⑳
- Подробнее на сайте www.skil.com

ТЕХОБСЛУЖИВАНИЕ / СЕРВИС

- Данный инструмент не подходит для промышленного использования
- Всегда содержите инструмент и его шнур в чистоте (особенно вентиляционные отверстия Н ②)
! перед чисткой инструмента выньте вилку из розетки
- Если инструмент, несмотря на тщательные методы изготовления и испытания, выйдет из строя, то ремонт следует производить силами авторизованной сервисной мастерской для электроинструментов фирмы SKIL
 - отправьте **неразобранный** инструмент со свидетельством покупки Вашему дилеру или в ближайшую станцию обслуживания фирмы SKIL (адреса и схема обслуживания инструмента приведены в вебсайте www.skil.com)
- Примите к сведению, что повреждения вследствие перегрузки или ненадлежащего обращения с инструментом не будут включены в гарантию (условия гарантии SKIL см. на сайте www.skil.com или узнайте у дилера в Вашем регионе)

ОХРАНА ОКРУЖАЮЩЕЙ СРЕДЫ

- **Не выкидывайте электроинструмент, принадлежности и упаковку вместе с бытовым мусором** (только для стран ЕС)
- во исполнение европейской директивы 2012/19/ЕС об утилизации отслужившего свой срок электрического и электронного оборудования и в соответствии с действующим законодательством, утилизация электроинструментов производится отдельно от других отходов на предприятиях, соответствующих условиям экологической безопасности
- значок ⑤ напомним Вам об этом, когда появится необходимость сдать электроинструмент на утилизацию

ШУМ / ВИБРАЦИЯ

- Согласно измерениям в соответствии с EN 60745 уровень звукового давления этого инструмента составляет 94,2 дБ(А), уровень звуковой мощности — 105,2 дБ(А) (погрешность K = 3 дБ, а вибрация * (векторная сумма по трем осям; погрешность K = 1,5 м/с²)
*** при сверлении в металле < 2,5 м/с²**

* при сверленні с ударом в бетоні 11,1 м/с²

- Уровень вібрації был измерен в соответствии со стандартизированным испытанием, содержащимся в EN 60745; данная характеристика может использоваться для сравнения одного инструмента с другим, а также для предварительной оценки воздействия вибрации при использовании данного инструмента для указанных целей
 - при использовании инструмента в других целях или с другими/неисправными вспомогательными приспособлениями уровень воздействия вибрации может значительно **повышаться**
 - в периоды, когда инструмент отключен или функционирует без фактического выполнения работы, уровень воздействия вибрации может значительно **снижаться**
- ! защищайте себя от воздействия вибрации, поддерживая инструмент и его вспомогательные приспособления в исправном состоянии, поддерживая руки в тепле, а также правильно организуя свой рабочий процесс**

UA

Ударний дріль

6745

ВСТУП

- Пристрій призначений для ударного свердління по целлі а також для свердління по дереву, металу, керамці та синтетичному матеріалі
- Цей інструмент не придатний для промислового використання
- Прочитайте і збережіть цю Інструкцію з експлуатації

③

ТЕХНІЧНІ ДАНІ ①

ЕЛЕМЕНТИ ІНСТРУМЕНТА ②

- A Вимикач для вкл/викл та регулювання швидкості
- B Кнопка блокування вимикача
- C Маховик для регулювання максимальної швидкості обертання
- D Вимикач для зміни напрямку обертання
- E Перемикач швидкості
- F Вимикач для вибору функції свердління
- G Додаткова ручка
- H Вентиляційні отвори

БЕЗПЕКА

ЗАГАЛЬНІ ВКАЗІВКИ З ТЕХНІКИ БЕЗПЕКИ ПОВОДЖЕННЯ З ЕЛЕКТРОІНСТРУМЕНТАМИ

▲ ПОПЕРЕДЖЕННЯ Уважно вивчіть запобіжні заходи та ілюстрації, а також прочитайте вказівки та технічні умови, що входять в комплект поставки цього електроінструменту. Недотримання нижчеперелічених вказівок у повному обсязі може спричинити ураження електричним струмом, пожежу та / або серйозну травму.

Добре зберігайте на майбутнє ці попередження і вказівки.

Під поняттям “електроприлад” в цих попередженнях мається на увазі електроприлад, що працює від мережі (з електрокабелем) або від акумуляторної батареї (без електрокабелю).

1) БЕЗПЕКА НА РОБОЧОМУ МІСЦІ

- a) **Примайте своє робоче місце в чистоті та прибирайте його.** Безлад або погане освітлення на робочому місці можуть призводити до нещасних випадків.
- b) **Не працюйте з приладом у середовищі, де існує небезпека вибуху внаслідок присутності горючих рідин, газів або пилу.** Електроприлади можуть породжувати іскри, від яких може займатися пил або пари.
- c) **Під час працювання з приладом не підпускайте до робочого місця дітей та інших людей.** Ви можете втратити контроль над приладом, якщо Ваша увага буде відвернута.

2) ЕЛЕКТРИЧНА БЕЗПЕКА

- a) **Штепсель приладу повинен пасувати до розетки. Не дозволяється що-небудь міняти в штепселі.** Для роботи з приладами, що мають захисне заземлення, не використовуйте адаптери. Використання оригінального штепселя та належної розетки зменшує ризик удару електричним струмом.
- b) **Уникайте контакту частей тіла із заземленими поверхнями, як напр., трубами, батареями опалення, печами та холодильниками.** Коли Ваше тіло заземлене, існує збільшена небезпека удару електричним струмом.
- c) **Захищайте прилад від дощу та вологи.** Попадання води в електроінструмент збільшує ризик удару електричним струмом.
- d) **Не використовуйте кабель для перенесення приладу, підвішування або витягування штепселя з розетки. Захищайте кабель від жару, олії, гострих країв та деталей приладу, що рухаються.** Пошкоджений або закручений кабель збільшує ризик удару електричним струмом.
- e) **Для зовнішніх робіт обов'язово використовуйте лише такий подовжувач, що допущений для зовнішніх робіт.** Використання подовжувача, що розрахований на зовнішні роботи, зменшує ризик удару електричним струмом.
- f) **Якщо не можна запобігти використанню електроприладу у вологому середовищі, використовуйте пристрій захисту від витоків в землю.** Використання зристою захисту від витоків в землю зменшує ризик удару електричним струмом.

3) БЕЗПЕКА ЛЮДЕЙ

- a) **Будьте уважними, слідуйте за тим, що Ви робите, та розсудливо поведіться під час роботи з електроприладом. Не користуйтеся приладом, якщо Ви стомлені або знаходитесь під дією наркотиків, спиртних напоїв або лік.** Мить неуважності при користуванні приладом може призводити до серйозних травм.
- b) **Вдягайте особисте захисне спорядження та обов'язово вдягайте захисні окуляри.**

Вдягання особистого захисного спорядження, як напр., - в залежності від виду робіт - захисної маски, спецвзуття, що не ковзається, каски або навушників, зменшує ризик травм.

- c) **Уникайте ненавмисного вмикання. Перш ніж вмикати електроприлад в електромережу або встромляти акумуляторну батарею, брати його в руки або переносити, впевніться в тому, що електроприлад вимкнений.** Тримання пальця на вимикачі під час перенесення електроприладу або встромлення в розетку увімкненого приладу може призводити до травм.
- d) **Перед тим, як вмикати прилад, приборіть налагоджувальні інструменти та гайковий ключ.** Знаходження налагоджувального інструмента або ключа в деталі, що обертається, може призводити до травм.
- e) **Не переоцінюйте себе. Зберігайте стійке положення та завжди зберігайте рівновагу.** Це дозволить Вам краще зберігати контроль над приладом у несподіваних ситуаціях.
- f) **Вдягайте придатний одяг. Не вдягайте просторий одяг та прикраси. Не підставляйте волосся й одяг до деталей, що рухаються.** Просторий одяга, прикраси та довге волосся можуть попадати в деталі, що рухаються.
- g) **Якщо існує можливість монтувати пилівідсмоктувальні або пилоуловлювальні пристрої, переконайтеся, щоб вони були добре під'єднані та правильно використовувалися.** Використання пилівідсмоктувального пристрою може зменшити небезпеки, зумовлені пилом.
- h) **Добре знання електроінструментів, отримане в результаті частого їх використання, не повинно призводити до самовпевненості й ігнорування принципів техніки безпеки.** Необережна дія може в одну мить призвести до важкої травми.
- 4) **ПРАВИЛЬНЕ ПОВЕДІННЯ ТА КОРИСТУВАННЯ ЕЛЕКТРОПРИЛАДАМИ**
 - a) **Не перевантажуйте прилад. Використовуйте такий прилад, що спеціально призначений для певної роботи.** З придатним приладом Ви з меншим ризиком отримаєте кращі результати роботи, якщо будете працювати в зазначеному діапазоні потужності.
 - b) **Не користуйтеся приладом з пошкодженим вимикачем.** Прилад, який не можна увімкнути або вимкнути, є небезпечним і його треба відремонтувати.
 - c) **Перед тим, як регулювати що-небудь на приладі, міняйте приладді або ховати прилад, витягніть штепсель із розетки та/або витягніть акумуляторну батарею, якщо вона знімається.** Ці попереджувальні заходи з техніки безпеки зменшують ризик ненавмисного запуску приладу.
 - d) **Зберігайте електроприлади, якими Ви саме не користуєтесь, далеко від дітей. Не дозволяйте користуватися електроприладом особам, що не знайомі з його роботою або не читали ці вказівки.** У разі застосування недосвідченими особами прилади несуть в собі небезпеку.
 - e) **Старанно дглядайте за електроінструментами і приладдям. Перевірте, щоб рухомі деталі**

приладу бездоганно працювали та не заїдали, не були поламаними або настільки пошкодженими, щоб це могло вплинути на функціонування приладу. Пошкоджені деталі треба відремонтувати в авторизованій майстерні, перш ніж ними можна знову користуватися. Велика кількість нещасних випадків спричиняється поганим доглядом за електроприладами.

- f) **Тримайте різальні інструменти добре нагостреними та в чистоті.** Старанно доглянуті різальні інструменти з гострим різальним краєм менше застряють та їх легше вести.
- g) **Використовуйте електроприлади, приладдя до них, робочі інструменти т.і. відповідно до цих вказівок. Беріть до уваги при цьому умови роботи та специфіку виконуваної роботи.** Використання електроприладів для робіт, для яких вони не передбачені, може призводити до небезпечних ситуацій.
- h) **Тримайте рукоятки і поверхні захвату сухими і чистими, слідкуйте, щоб на них не було оливи або густої мастила.** Слизькі рукоятки і поверхні захвату унеможливають безпечне поводження з електроінструментом та його контролювання в неочікуваних ситуаціях.
- 5) **СЕРВІС**
 - a) **Віддавайте свій прилад на ремонт лише кваліфікованим фахівцям та лише з використанням оригінальних запчастин.** Це забезпечить безпеку приладу на довгий час.

ВКАЗІВКИ ПО БЕЗПЕЦІ ДЛЯ УДАРНИХ ДРИЛЕЙ

1) ВКАЗІВКИ З ТЕХНІКИ БЕЗПЕКИ ПІД ЧАС ВСІХ ВИДІВ ЕКСПЛУАТАЦІЇ

- a) **Користуйтеся засобами захисту слуху під час ударного свердління.** Шум може пошкодити слух.
- b) **Використовуйте додані до інструменту допоміжні рукоятки.** Втрата контролю над інструментом може призвести до травм.
- c) **Під час роботи, коли робочий інструмент або гвинти можуть зачепити заховану електропроводку або власний шнур живлення, тримайте електроінструмент за ізольовані рукоятки.** Зачеплення проводки, що знаходиться під напругою, може заряджувати також і металеві частини електроінструмента та призводити до удару електричним струмом.

2) ВКАЗІВКИ З ТЕХНІКИ БЕЗПЕКИ ПІД ЧАС ВИКОРИСТАННЯ ДОВГИХ БІТІВ

- a) **Ніколи не перевищуйте максимальну швидкість, для якої призначене свердло.** На підвищеній швидкості свердло може зігнути, коли в нього не має контакту з робочою поверхнею. Це може спричинити травму.
- b) **Завжди починайте свердлити на низькій швидкості. При цьому свердло повинно знаходитись у контакті з робочою поверхнею.** На підвищеній швидкості свердло може зігнути, коли в нього не має контакту з робочою поверхнею. Це може спричинити травму.
- c) **Натискайте на інструмент тільки у напрямку свердління і не допускайте надмірного тиску.**

Свердла можуть гнутись, що призводить до поломки або втрати контролю і може спричинити травму.

ЗАГАЛЬНЕ

- Цей інструмент не можна використовувати особам віком до 16 років
- **Перед регулюванням або заміною приладдя обов'язково вийміть вилку із сітьової розетки**
- Використовуйте повністю розгорнений шнур подовжувача, який може витримувати навантаження в 16 Ампер
- **Не обробляйте матеріали, що містять асбест** (асбест вважається канцерогенним)
- Пил від таких матеріалів, як свинцовоутримуюча фарба, деякі породи дерева, мінерали й метал, може бути шкідливим (контакт із таким пилом або його вдихання може стати причиною виникнення в оператора або осіб, що перебувають поруч, алергічних реакцій і/або респіраторних захворювань); **надягайте респіратор і працюйте з пиловиділяючим пристроєм під час увімкнення інструмента**
- Деякі види пилу класифікуються як канцерогенні (наприклад, дубовий або буковий пил), особливо в сполученні з добавками для кондиціювання деревини; **надягайте респіратор і працюйте з пиловиділяючим пристроєм під час увімкнення інструмента**
- Слідуйте інструкціям по роботі з матеріалами, продуцуючими пил

ПЕРЕД ВИКОРИСТАННЯМ

- Перед роботою перевірте відповідність струму в мережі із струмом, позначені на інструменті
- Не допускайте пошкоджень, які можуть нанести шурупи, цвяхи і інші елементи вашому виробу; видаліть їх перед початком роботи
- **Використовуйте придатні пошукові прилади для знаходження захованих в будівлі труб та кабелів або зверніться за допомогою в місцеве підприємство електро-, газо- та водопостачання** (зачеплення електропроводки може призводити до пожежі та удару електричним струмом; зачеплення газової труби може призводити до вибуху; зачеплення водопровідної труби може завдати шкоду матеріальним цінностям або призводити до удару електричним струмом)
- **Зафіксуйте оброблювану деталь** (оброблювана деталь, зафіксована за допомогою затискових пристроїв або лежат, закріплюється краще, ніж вручну)
- Категорично забороняється користуватися інструментом при пошкодженні електричного шнура; заміна на аналогічний підготовлений шнур повинна проводитися організацією з обслуговування.

АНКСЕСУАРИ

- SKIL гарантує надійну роботу інструмента тільки при використанні відповідного приладдя
- Використовуйте лише приладдя, припустима швидкість обертання якого як мінімум відповідає найвищій швидкості інструмента без навантаження

ПІД ЧАС ВИКОРИСТАННЯ

- Не дозволяйте шнуру живлення стикатися з рухомими частинами інструменту
- Якщо свердло заїло (що призводить до неочікуваної небезпечної реакції), негайно вимкніть інструмент
- Помніть про безпеку, що може з'явитися під час заїдання свердла (особливо при свердлінні металів);

завжди використовуйте бокову ручку G та займайте надійну позу

- У разі електричної або механічної несправності, негайно відключите інструмент і вимкніть з розетки
- Якщо шнур пошкоджений або прорізаний при роботі, не доторкайтеся до нього і негайно витягніть його з розетки

ПІСЛЯ ВИКОРИСТАННЯ

- Коли ви закінчили роботу з інструментом, вимкніть мотор і переконайтеся, що всі рухомі частини повністю зупинилися

ПОЯСНЕННЯ ДО УМОВНИХ ПОЗНАЧОК НА ІНСТРУМЕНТІ

- ③ Перед використанням прочитайте інструкцію із застосування
- ④ Подвійна ізоляція (заземлюючий провід не потрібен)
- ⑤ Не викидайте інструмент разом зі звичайним сміттям

ВИКОРИСТАННЯ

- Вкл/Викл ⑥
- Блокування вимикача для тривалої роботи ⑦
- Контроль швидкості для плавного пуску ⑧
- Регулятор максимальної швидкості ⑨
- Обертання маховиком С, максимальну швидкість обертання можна плавно відрегулювати від низької до високої
 - увімкніть інструмент
 - заблокуйте перемикач
 - повертаючи маховик С, виберіть максимальну швидкість обертання
- Механічне перемикачання швидкості ⑩
 - увімкніть перемикачем Е необхідну для вас швидкість
- ! **перемикайте перемикач швидкості під час повільного обертання**
 - 1 = НИЗЬКА ШВИДКІСТЬ
 - високий крутний момент
 - для свердління великих діаметрів
 - для нанесення різби
 - 2 = ВИСОКА ШВИДКІСТЬ
 - малий крутний момент
 - для свердління малих діаметрів
- Зміна напрямку обертання ⑪
 - при неповній установці положення лів/прав пусковий виключачель А ② не працює
- ! **мінуйте напрям обертання тільки при повній зупинці інструмента**
- Нормальне свердління або ударне свердління ⑫
 - ! **вибирайте функцію свердління тільки при вимкнутому інструменті та вилка вийнята з розетки**
- Заміна насадок ⑬
 - введіть насадку в патрон до упору
 - ! **не використовуйте насадки з пошкодженим стовбуром**
- Регулювання глибини свердління ⑭
- Утримування і робота інструментом ⑮
 - **завжди використовуйте бокову ручку G** (може регулюватись як показано)
 - ! **під час роботи, завжди тримайте інструмент за частини захвату сірого кольору**
 - не закривайте вентиляційні отвори
 - не тисніть на інструмент; дайте інструменту можливість працювати за вас

ПОРАДИ ПО ВИКОРИСТАННЮ

- Використовуйте відповідні насадки ⁽¹⁶⁾
! не використовуйте тупі насадки
- Підчас свердління отворів у бетоні чи каменю необхідно забезпечувати постійний тиск на дріль
- Свердління чорних металів
 - попередньо просвердліть отвір меншого діаметру, якщо необхідний отвір великого розміру
 - час від часу змащуйте свердла маслом
- Свердління деревини без виривання скалок ⁽¹⁷⁾
- Свердління в стінах без пилу ⁽¹⁸⁾
- Свердління в стелях без пилу ⁽¹⁹⁾
- Свердління кафельних плиток без прослизькування ⁽²⁰⁾
- Дивіться додаткову інформацію на сайті www.skil.com

ДОГЛЯД/ОБСЛУГОВУВАННЯ

- Цей інструмент не придатний для промислового використання
- Завжди тримайте інструмент та його шнур в чистоті (особливо вентиляційні отвори H ⁽²⁾)
! перед чистою інструменту необхідно роз'єднати штепсельний роз'єм
- Якщо незважаючи на ретельну технологію виготовлення і перевірки інструмент все-таки вийде з ладу, його ремонт дозволяється виконувати лише в авторизованій сервісній майстерні для електроприладів SKIL
 - надішліть **нерозібраний** інструмент разом з доказом купівлі до Вашого дилера або до найближчого центру обслуговування SKIL (адреси, а також діаграма обслуговування пристрою, подаються на сайті www.skil.com)
- Візьміть до відома, що ушкодження внаслідок перевантаження або неналежного поводження з інструментом не будуть включені в гарантію (умови гарантії SKIL див. на сайті www.skil.com або довідайтесь в дилера у Вашому регіоні)

ОХОРОНА НАВКОЛИШНЬОЇ СЕРЕДИ

- **Не викидайте електроінструмент, належності та упаковку разом зі звичайним сміттям** (тільки для країн ЄС)
 - відповідно до європейської директиви 2012/19/ЄС щодо утилізації старих електричних та електронних приладів, в залежності з місцевим законодавством, електроінструмент, який перебував в експлуатації повинен бути утилізований окремо, безпечним для навколишнього середовища шляхом
 - малюнок ⁽⁵⁾ нагадає вам про це

ШУМ / ВІБРАЦІЯ

- За вимірами відповідно до EN 60745 рівень звукового тиску цього інструменту становлює 94,2 дБ(А) та рівень потужності звуку дорівнює 105,2 дБ(А) (коефіцієнт недостовірності K = 3 дБ), а вібрація * (трисекційна векторна сума; коефіцієнт недостовірності K = 1,5 м/с²)
* свердління в металі < 2,5 м/с²
* при ударному свердленні в бетоні 11,1 м/с²
- Рівень вібрації було виміряно у відповідності зі стандартизованим випробуванням, що міститься в EN 60745; дана характеристика

може використовуватися для порівняння одного інструмента з іншим, а також для попередньої оцінки впливу вібрації під час застосування даного інструмента для вказаних цілей

- при використанні інструмента в інших цілях або з іншими/несправними допоміжними пристосуваннями рівень впливу вібрації може значно **підвищуватися**

- у періоди, коли інструмент вимкнений або функціонує без фактичного виконання роботи, рівень впливу вібрації може значно **знижуватися**

! захищайте себе від впливу вібрації, підтримуючи інструмент і його допоміжні пристосування в справному стані, підтримуючи руки в теплі, а також правильно обмежуючи свій робочий процес

GR

Κρουστικό δράπανο

6745

ΕΙΣΑΓΩΓΗ

- Το εργαλείο προορίζεται για τρίτημα με κρούση σε τοιχοποιία καθώς και για τρίτημα σε ξύλο, σε μέταλλα και σε κεραμικά και πλαστικά υλικά
- Αυτό το εργαλείο δεν προορίζεται για επαγγελματική χρήση
- Διαβάστε και φυλάξτε αυτές τις οδηγίες χρήσεως ⁽³⁾

ΤΕΧΝΙΚΑ ΧΑΡΑΚΤΗΡΙΣΤΙΚΑ ⁽¹⁾

ΜΕΡΗ ΤΟΥ ΕΡΓΑΛΕΙΟΥ ⁽²⁾

- A Διακόπτης εκκίνησης/στάσης και ελέγχου ταχύτητας
- B Κομπι ασφάλισης του διακόπτη
- C Τροχήσος ρύθμισης της μέγιστης ταχύτητας
- D Διακόπτης αλλαγής της κατεύθυνσης περιστροφής
- E Διακόπτης επιλογής ταχύτητας
- F Επιλογέας τρόπου λειτουργίας
- G Βοηθητική λαβή
- H Σχισμές αερισμού

ΑΣΦΑΛΕΙΑ

ΓΕΝΙΚΕΣ ΥΠΟΔΕΙΞΕΙΣ ΑΣΦΑΛΕΙΑΣ ΓΙΑ ΗΛΕΚΤΡΙΚΑ ΕΡΓΑΛΕΙΑ

ΠΡΟΕΙΔΟΠΟΙΗΣΗ Διαβάστε όλες τις προειδοποιήσεις ασφαλείας καθώς και τις οδηγίες, εικόνες και προδιαγραφές που παρέχονται με αυτό το ηλεκτρικό εργαλείο. Αμέλεια τήρησης όλων των οδηγιών που παρατίθενται παρακάτω μπορεί να προκαλέσει ηλεκτροπληξία, πυρκαγιά ή/και σοβαρό τραυματισμό.

Φυλάξτε όλες τις υποδείξεις ασφαλείας και τις οδηγίες για το μέλλον.

Ο ορισμός "ηλεκτρικό εργαλείο" που χρησιμοποιείται στις προειδοποιητικές υποδείξεις αναφέρεται σε ηλεκτρικά εργαλεία που τροφοδοτούνται από το ηλεκτρικό δίκτυο (με ηλεκτρικό καλώδιο) καθώς και σε ηλεκτρικά εργαλεία που τροφοδοτούνται από μπαταρία (χωρίς ηλεκτρικό καλώδιο).

1) ΑΣΦΑΛΕΙΑ ΣΤΟ ΧΩΡΟ ΕΡΓΑΣΙΑΣ

- a) **Διατηρείτε το χώρο που εργάζεσθε καθαρό και καλά φωτισμένο.** Αταξία στο χώρο που εργάζεσθε ή μη φωτισμένες περιοχές εργασίας μπορεί να οδηγήσουν σε ατυχήματα.
- b) **Μην εργάζεσθε με το ηλεκτρικό εργαλείο σε περιβάλλον που υπάρχει κίνδυνος έκρηξης, στο οποίο υπάρχουν εύφλεκτα υγρά, αέρια ή σκόνη.** Τα ηλεκτρικά εργαλεία μπορεί να δημιουργήσουν σπινθηρισμό ο οποίος μπορεί να αναφλέξει τη σκόνη ή τις αναθυμιάσεις.
- c) **Όταν χρησιμοποιείτε το ηλεκτρικό εργαλείο κρατάτε τα παιδιά κι άλλα τυχόν πρόσωπα μακριά από το χώρο που εργάζεσθε.** Σε περίπτωση που άλλα άτομα αποσπάσουν την προσοχή σας μπορεί να χάσετε τον έλεγχο του μηχανήματος.

2) ΗΛΕΚΤΡΙΚΗ ΑΣΦΑΛΕΙΑ

- a) **Το φως του καλωδίου του ηλεκτρικού εργαλείου πρέπει να ταιριάζει στην αντίστοιχη πρίζα. Δεν επιτρέπεται με κανένα τρόπο η μετασκευή του φως. Μη χρησιμοποιείτε προσαρμοστικά φως σε συνδυασμό με ηλεκτρικά εργαλεία συνδεδεμένα με τη γη (γειωμένα).** Αθίκα φως και κατάλληλες πρίζες μειώνουν τον κίνδυνο ηλεκτροπληξίας.
- b) **Αποφεύγετε την επαφή του σώματός σας με γειωμένες επιφάνειες όπως σωλήνες, θερμαντικά σώματα (καλοριφέρ), κουζίνες και ψυγεία.** Όταν το σώμα σας είναι γειωμένο αυξάνεται ο κίνδυνος ηλεκτροπληξίας.
- c) **Μην εκθέτετε το ηλεκτρικό εργαλείο στη βροχή ή την υγρασία.** Η διείσδυση νερού στο ηλεκτρικό εργαλείο αυξάνει τον κίνδυνο ηλεκτροπληξίας.
- d) **Μη χρησιμοποιείτε το καλώδιο για να μεταφέρετε ή ν' αναρτήσετε το ηλεκτρικό εργαλείο ή για να βγάλετε το φως από την πρίζα. Κρατάτε το καλώδιο μακριά από υψηλές θερμοκρασίες, λάδια, κοφτερές ακμές ή κινούμενα εξαρτήματα.** Τυχόν χαλασμένα ή μπερδεμένα καλώδια αυξάνουν τον κίνδυνο ηλεκτροπληξίας.
- e) **Όταν εργάζεσθε με το ηλεκτρικό εργαλείο στο ύπαιθρο χρησιμοποιείτε πάντοτε καλώδια επιμήκυνσης (μπαλαντάζες) που έχουν εγκριθεί για χρήση σε εξωτερικούς χώρους.** Η χρήση καλωδίων επιμήκυνσης εγκριμένων για εργασία σε εξωτερικούς χώρους μειώνει τον κίνδυνο ηλεκτροπληξίας.
- f) **Όταν η χρήση του ηλεκτρικού εργαλείου σε υγρό περιβάλλον είναι αναπόφευκτη, τότε χρησιμοποιήστε έναν προστατευτικό διακόπτη διαρροής.** Η χρήση ενός προστατευτικού διακόπτη διαρροής ελαττώνει τον κίνδυνο ηλεκτροπληξίας.

3) ΑΣΦΑΛΕΙΑ ΠΡΟΣΩΠΩΝ

- a) **Να είσθε πάντοτε προσεκτικός/προσεκτική, να δίνετε προσοχή στην εργασία που κάνετε και να χειρίζεστε το ηλεκτρικό εργαλείο με προσοχή. Μην κάνετε χρήση του ηλεκτρικού εργαλείου όταν είσθε κουρασμένος/κουρασμένη ή όταν βρίσκεσθε υπό την επιρροή ναρκωτικών, οινόπνευματος ή φαρμάκων.** Μια στιγμήα απροσεξία κατά το χειρισμό του ηλεκτρικού εργαλείου μπορεί να οδηγήσει σε σοβαρούς τραυματισμούς.
- b) **Φοράτε προστατευτικά ενδύματα και πάντοτε προστατευτικά γυαλιά.** Όταν φοράτε ενδύματα

ασφαλείας, ανάλογα με το υπό χρήση ηλεκτρικό εργαλείο, όπως προσωπίδα προστασίας από σκόνη, αντιολισθικά παπούτσια ασφαλείας, κράνη ή ωαποτίδες, μειώνεται ο κίνδυνος τραυματισμών.

- c) **Αποφεύγετε την αθέλητη εκκίνηση. Βεβαιωθείτε ότι το ηλεκτρικό εργαλείο έχει αποζευχτεί πριν το συνδέσετε με το ηλεκτρικό δίκτυο ή/και με την μπαταρία καθώς και πριν το παραλάβετε ή το μεταφέρετε.** Όταν μεταφέρετε το ηλεκτρικό εργαλείο έχοντας το δάχτυλό σας στο διακόπτη ή όταν συνδέσετε το μηχανήμα με την πηγή ρεύματος όταν αυτό είναι ακόμη συζευγμένο, τότε δημιουργείται κίνδυνος τραυματισμών.
 - d) **Αφαιρείτε από τα ηλεκτρικά εργαλεία πριν τα θέσετε σε λειτουργία τυχόν συναρμολογημένα χρησιμοποιήσιμα εργαλεία ή κλειδιά.** Ένα εργαλείο ή κλειδί συναρμολογημένο στο περιστρεφόμενο εξάρτημα ενός ηλεκτρικού εργαλείου μπορεί να οδηγήσει σε τραυματισμούς.
 - e) **Μην υπερκτιμάτε τον εαυτό σας. Φροντίστε για την ασφαλή στήριξη του σώματός σας και διατηρείτε πάντοτε την ισορροπία σας.** Αυτό σας επιτρέπει τον καλύτερο έλεγχο το ηλεκτρικού εργαλείου σε περιπτώσεις απροσδόκητων καταστάσεων.
 - f) **Φοράτε κατάλληλη ενδυμασία εργασίας. Μη φοράτε καρδιά ρούχα ή κοσμήματα. Κρατάτε τα μαλλιά και τα ρούχα σας μακριά από κινούμενα εξαρτήματα.** Χαλαρή ενδυμασία, κοσμήματα και μακριά μαλλιά μπορεί να εμπλακούν στα κινούμενα εξαρτήματα.
 - g) **Αν υπάρχει η δυνατότητα συναρμολόγησης διατάξεων αναρρόφησης ή συλλογής σκόνης, βεβαιωθείτε αν οι διατάξεις αυτές είναι συνδεδεμένες καθώς κι αν χρησιμοποιούνται σωστά.** Η χρήση μιας αναρρόφησης σκόνης μπορεί να ελαττώσει τον κίνδυνο που προκαλείται από τη σκόνη.
 - h) **Μην εφηνωχάτε σε μια λάθος ασφάλεια και μην αφιψάτε τους κανόνες ασφαλείας για τα ηλεκτρικά εργαλεία, ακόμα και όταν μετά από συχνή χρήση είστε εξοικειωμένοι με το εργαλείο.** Ένας απρόσεκτος χειρισμός μπορεί μέσα σε κλάσματα του δευτερολέπτου να οδηγήσει σε σοβαρούς τραυματισμούς.
- ## 4) ΧΡΗΣΗ ΚΙ ΕΠΙΜΕΛΗΣ ΧΕΙΡΙΣΜΟΣ ΤΩΝ ΗΛΕΚΤΡΙΚΩΝ ΕΡΓΑΛΕΙΩΝ
- a) **Μην υπερφορτώνετε το ηλεκτρικό εργαλείο. Χρησιμοποιείτε για την εκάστοτε εργασία σας το ηλεκτρικό εργαλείο που προορίζεται γι' αυτήν.** Με το κατάλληλο ηλεκτρικό εργαλείο εργάζεσθε καλύτερα και ασφαλέστερα στην αναφερόμενη περιοχή ισχύος.
 - b) **Μη χρησιμοποιήσετε ποτέ ένα ηλεκτρικό εργαλείο του οποίου ο διακόπτης ON/OFF είναι χαλασμένος.** Ένα ηλεκτρικό εργαλείο το οποίο δεν μπορεί να τεθεί πλέον σε ή εκτός λειτουργίας είναι επικίνδυνο και πρέπει να επισκευαστεί.
 - c) **Τραβήξτε το φως από την πρίζα και/ή απομακρύνετε μια αποσπώμενη μπαταρία, προτού εκτελέσετε ρυθμίσεις στο ηλεκτρικό εργαλείο, προτού αλλάξετε εξαρτήματα ή φυλάξετε το ηλεκτρικό εργαλείο.** Αυτά τα προληπτικά μέτρα ασφαλείας μειώνουν τον κίνδυνο από τυχόν αθέλητη εκκίνηση του ηλεκτρικού εργαλείου.

- d) **Διαφυλάγετε τα ηλεκτρικά εργαλεία που δε χρησιμοποιείτε μακριά από παιδιά. Μην αφήνετε άτομα που δεν είναι εξοικειωμένα με το ηλεκτρικό εργαλείο ή δεν έχουν διαβάσει αυτές τις οδηγίες χρήσης να το χρησιμοποιήσουν.** Τα ηλεκτρικά εργαλεία είναι επικίνδυνα όταν χρησιμοποιούνται από άπειρα πρόσωπα.
- e) **Φροντίζετε τα ηλεκτρικά εργαλεία και τα εξάρτημα με επιμέλεια. Ελέγχετε, αν τα κινούμενα εξαρτήματα λειτουργούν άψογα, χωρίς να μπλοκάρουν, ή μήπως έχουν σπάσει ή φθαρεί τυχόν εξαρτήματα τα οποία επηρεάζουν τον τρόπο λειτουργίας του ηλεκτρικού εργαλείου. Δώστε αυτά τα χαλασμένα εξαρτήματα για επισκευή πριν τα ξαναχρησιμοποιήσετε.** Η κακή συντήρηση των ηλεκτρικών εργαλείων αποτελεί αιτία πολλών ατυχημάτων.
- f) **Διατηρείτε τα κοπτικά εργαλεία κοφτερά και καθαρά.** Τα κοπτικά εργαλεία που συντηρούνται με προσοχή μπορούν να οδηγηθούν εύκολα και να ελεγχθούν καλύτερα.
- g) **Χρησιμοποιείτε τα ηλεκτρικά εργαλεία, τα εξαρτήματα, τα χρησιμοποιήσιμα εργαλεία κτλ. σύμφωνα με τις παρούσες οδηγίες καθώς. Λαμβάνετε ταυτόχρονα υπόψη σας τις συνθήκες εργασίας και την υπό εκτέλεση εργασία.** Η χρήση του ηλεκτρικού εργαλείου για άλλες εκτός από τις προβλεπόμενες εργασίες μπορεί να δημιουργήσει επικίνδυνες καταστάσεις.
- h) **Διατηρείτε τις λαβές και επιφάνειες λαβής στεγνές, καθαρές και ελεύθερες από λάδι και γράσο.** Οι ολισθηρές λαβές και επιφάνειες λαβής δεν επιτρέπουν κανέναν ασφαλή χειρισμό και έλεγχο του ηλεκτρικού εργαλείου σε τυχόν απρόβλεπτες καταστάσεις.
- 5) **ΣΕΡΒΙΣ**
- a) **Δίνετε το ηλεκτρικό σας εργαλείο για επισκευή από άριστα ειδικευμένο προσωπικό, μόνο με γνήσια ανταλλακτικά.** Έτσι εξασφαλίζεται η διατήρηση της ασφάλειας του ηλεκτρικού εργαλείου.

ΥΠΟΔΕΙΞΕΙΣ ΑΣΦΑΛΕΙΑΣ ΓΙΑ ΚΡΟΥΣΤΙΚΟ ΔΡΑΠΑΝΟ

- 1) **ΟΔΗΓΙΕΣ ΑΣΦΑΛΕΙΑΣ ΓΙΑ ΟΛΕΣ ΤΙΣ ΤΙΣ ΕΡΓΑΣΙΕΣ**
- a) **Προστατέψτε την ακοή σας φορώντας ωτοασπίδες με την χρήση κρουστικών δραπάνων.** Ο δυνατός θόρυβος μπορεί να προκαλέσει πρόβλημα στην ακοή.
- b) **Χρησιμοποιήστε τη βοηθητική λαβή ή λαβές.** Απώλεια ελέγχου μπορεί να προκαλέσει τραυματισμό.
- c) **Να κρατάτε το ηλεκτρικό εργαλείο από τις μονωμένες επιφάνειες συγκράτησης, όταν υπάρχει κίνδυνος το εργαλείο να έρθει σε επαφή με μη ορατούς ηλεκτροφόρους αγωγούς ή με το ίδιο του το καλώδιο.** Η επαφή του κοπτικού ή των σφιγκτήρων με ηλεκτροφόρο αγωγό μπορεί να θέσει τα μεταλλικά μέρη του ηλεκτρικού εργαλείου επίσης υπό τάση και έτσι να προκαλέσει ηλεκτροπληξία στον χειριστή.
- 2) **ΟΔΗΓΙΕΣ ΑΣΦΑΛΕΙΑΣ ΚΑΤΑ ΤΗ ΧΡΗΣΗ ΤΡΥΠΑΝΙΟΥ ΜΕΓΑΛΟΥ ΜΗΚΟΥΣ**
- a) **Ποτέ μην χειρίζεστε το εργαλείο σε υψηλότερες στροφές από τις μέγιστες ονομαστικές στροφές**

- του τρυπανιού.** Σε υψηλότερες στροφές, το τρυπάνι υπάρχει πιθανότητα να λυγίσει εάν αφαιρεθεί να περιστρέφεται ελεύθερα χωρίς επαφή με το τεμάχιο εργασίας, με συνέπεια ατομικό τραυματισμό.
- b) **Πάντα τα αρχίζετε τη διάτρηση σε χαμηλές στροφές και με τη μύτη του τρυπανιού σε επαφή με το τεμάχιο εργασίας.** Σε υψηλότερες στροφές, το τρυπάνι υπάρχει πιθανότητα να λυγίσει εάν αφαιρεθεί να περιστρέφεται ελεύθερα χωρίς επαφή με το τεμάχιο εργασίας, με συνέπεια ατομικό τραυματισμό.
- c) **Να ασκείτε πίεση μόνο στην ίδια ευθεία με το τρυπάνι και να μην ασκείτε υπερβολική πίεση.** Το τρυπάνι μπορεί να λυγίσει και να προκαλέσει τραύση ή απώλεια του ελέγχου, με συνέπεια ατομικό τραυματισμό.

ΓΕΝΙΚΑ

- Αυτό το εργαλείο δεν πρέπει να χρησιμοποιείται από άτομα κάτω των 16 ετών
- **Πάντα να αποσυνδέεται την πρίζα από το ηλεκτρικό δίκτυο πριν κάνετε κάποια ρύθμιση ή αλλάξετε εξάρτημα**
- Χρησιμοποιείτε ασφαλείς, τελείως ξετυλιγμένες προεκτάσεις καλωδίου με χωρητικότητα 16 Amps
- **Μην κατεργάζεστε υλικά που περιέχουν αμιάντο** (το αμιάντο θεωρείται σαν καρκινογόνο υλικό)
- Η σκόνη από υλικά όπως μογιές που περιέχουν μόλυβδο, ορισμένα είδη ξύλου, ανόργανα στοιχεία και μέταλλα μπορεί να είναι επιβλαβής (η επαφή ή η εισπνοή της σκόνης μπορεί να προκαλέσει αλλεργικές αντιδράσεις ή/και αναπνευστικές ασθένειες στον χειριστή ή σε άτομα που παρίστανται) - **να φοράτε προσωπίδα προστασίας από τη σκόνη και να εργάζεστε με συσκευή αφαίρεσης σκόνης όταν είναι δυνατό**
- Ορισμένα είδη σκόνης ταξινομούνται ως καρκινογόνα (όπως η σκόνη από τη δρυ ή την οξιά) ιδιαίτερα σε συνδυασμό με πρόσθετα συντήρησης ξύλου - **να φοράτε προσωπίδα προστασίας από τη σκόνη και να εργάζεστε με συσκευή αφαίρεσης σκόνης όταν είναι δυνατό**
- Ακολουθήστε τις σχετικές με σκόνη εθνικές διατάξεις για τα υλικά που θέλετε να εργαστείτε

ΠΡΙΝ ΑΠΟ ΤΗ ΧΡΗΣΗ

- Βεβαιωθείτε ότι η τάση του παρεχόμενου ρεύματος είναι ίδια με την τάση που υποδεικνύεται στην πινακίδα δεδομένων του εργαλείου
- Προφυλάξτε το εργαλείο από τυχόν φθορές από ξένα σώματα (βίδες, καρφιά ή άλλα) που ίσως είναι μέσα στο κομμάτι που θα δουλέψετε - αφαιρέστε τα πριν αρχίσετε την εργασία
- **Χρησιμοποιήστε κατάλληλες ανιχνευτικές συσκευές για να εντοπίσετε τυχόν αφανείς τροφοδοτικές γραμμές ή συμβουλευτείτε σχετικά τις επιχειρήσεις παροχής ενέργειας** (επαφή με ηλεκτρικές γραμμές μπορεί να οδηγήσει σε πυρκαϊά ή σε ηλεκτροπληξία - βλάβες σε αγωγούς φωταερίου (γκαζιού) μπορεί να οδηγήσουν σε έκρηξη - η διείσδυση σ' ένα σωλήνα νερού προκαλεί υλικές ζημιές ή μπορεί να προκαλέσει ηλεκτροπληξία)
- **Στερεώστε το κομμάτι εργασίας** (το κομμάτι εργασίας συγκρατείται καλύτερα με σφιγκτήρες ή σε μέγερη παρά με το χέρι)
- Ποτέ μην χρησιμοποιείτε το εργαλείο όταν το καλώδιο είναι φθαρμένο. Θα πρέπει να αντικατασταθεί από ειδικά προετοιμασμένο καλώδιο το οποίο υπάρχει διαθέσιμο στο δίκτυο εξυπηρέτησης.

ΕΞΑΡΤΗΜΑΤΑ

- Η SKIL εγγυάται την τέλεια λειτουργία του εργαλείου μόνο όταν χρησιμοποιούνται αυθεντικά εξαρτήματα
- Χρησιμοποιείτε μόνο εξαρτήματα των οποίων ο ύψιστος επιτρεπτός αριθμός στροφών είναι τουλάχιστον τόσο υψηλός, όσο ο ύψιστος αριθμός στροφών χωρίς φορτίο του εργαλείου

ΚΑΤΑ ΤΗ ΧΡΗΣΗ

- Να κρατάτε πάντα το καλώδιο μακριά από τα κινούμενα μέρη του εργαλείου σας
- Σε περίπτωση που το τρυπάνι μπλοκάρει κατά την εργασία (προκαλώντας μια απότομη, επικίνδυνη αντίδραση), σβήστε αμέσως το εργαλείο
- Έχετε υπόψη σας τις δυνάμεις που δημιουργούνται σαν αποτέλεσμα του μπλοκαρίσματος του εργαλείου (κυρίως όταν τρυπάτε μέταλλο) - **να χρησιμοποιείτε πάντοτε την πλευρική χειρολαβή G** και φροντίστε να στέκεστε σταθερά
- Σε περίπτωση ηλεκτρικής ή μηχανικής δυσλειτουργίας, σταματήστε αμέσως το εργαλείο και βγάλτε το από την πρίζα
- Σε περίπτωση που υποστεί βλάβη ή κοπεί το καλώδιο κατά την εργασία, μην αγγίζετε το καλώδιο, αλλά αποσυνδέστε αμέσως το φις από την πρίζα

ΜΕΤΑ ΤΗ ΧΡΗΣΗ

- Όταν τελειώνετε την δουλειά σας και ακουμπάτε το εργαλείο στο πλάι, κλείστε τον διακόπτη και βεβαιωθείτε ότι όλα τα κινούμενα μέρη του έχουν σταματήσει εντελώς

ΕΠΕΞΗΓΗΣΗ ΤΩΝ ΣΥΜΒΟΛΩΝ ΣΤΟ ΕΡΓΑΛΕΙΟ

- ③ Διαβάστε το εγχειρίδιο οδηγιών πριν από τη χρήση
- ④ Διπλή μόνωση (δεν απαιτείται καλώδιο γείωσης)
- ⑤ Μην πετάτε το εργαλείο στον κάδο οικιακών απορριμμάτων

ΧΡΗΣΗ

- Εκκίνηση/Σταση ⑥
- Ασφάλιση του διακόπτη για συνεχή λειτουργία ⑦
- Έλεγχος ταχύτητας για ομαλή εκκίνηση ⑧
- Έλεγχος της μέγιστης ταχύτητας ⑨
Με τον τροχίσκο C μπορεί να ρυθμιστεί η μέγιστη ταχύτητα από τη χαμηλή στη υψηλή αδιαβαθμητά
 - ενεργοποιήστε το εργαλείο
 - ασφαλίστε το διακόπτη
 - γυρίστε τον τροχίσκο C για να επιλέξετε την μέγιστη ταχύτητα
- Μηχανική επιλογή ταχυτήτων ⑩
 - ρυθμίστε τον διακόπτη E στην επιθυμητή ταχύτητα
- ! **μεταβάλετε την ταχύτητα όταν το εργαλείο περιστρέφεται αργά**
1 = ΧΑΜΗΛΗ ΤΑΧΥΤΗΤΑ
 - υψηλή ροπή στρέψης
 - για διάτρηση μεγάλων διαμέτρων
 - για σπειρώματα2 = ΥΨΗΛΗ ΤΑΧΥΤΗΤΑ
 - χαμηλότερη ροπή στρέψης
 - για διάτρηση μικρών διαμέτρων
- Αλλαγή της κατεύθυνσης περιστροφής ⑪
 - αν η διακόπτης A ② δεν είναι σωστά τοποθετημένη στη μία ή άλλη θέση δεν μπορεί να ενεργοποιηθεί
- ! **αλλάζετε την κατεύθυνση περιστροφής μόνο όταν το εργαλείο είναι τελείως σταματημένο**

- Κανονικό τρύπημα έναντι τρυπήματος με κρούση ⑫
! **επιλέξτε τον τρόπο λειτουργίας μόνο όταν το εργαλείο είναι σβησμένο και όταν το φις είναι βγαλμένο**
- Αλλαγή μύτων ⑬
 - τοποθετήστε τη μύτη όσο το δυνατόν βαθύτερα στο τσόκ
- ! **μη χρησιμοποιείτε μύτη με φθαρμένο στέλεχος**
- Πώς να ρυθμίσετε το βάθος του τρυπανιού ⑭
- Πώς να κρατάτε και να οδηγείτε το εργαλείο ⑮
 - **να χρησιμοποιείτε πάντοτε την πλευρική χειρολαβή G** (μπορεί να ρυθμιστεί όπως δείχνει η εικόνα)
- ! **ενώ εργάζεστε, να κρατάτε πάντα το εργαλείο από τη/τις λαβή/ές με γκρι χρώμα**
 - κρατάτε τις σχισμές αερισμού ακάλυπτες
 - μην ασκείτε υπέρμετρη πίεση στο εργαλείο - αφήστε το εργαλείο να δουλέψει για σας

ΟΔΗΓΙΕΣ ΕΦΑΡΜΟΓΗΣ

- Χρησιμοποιείτε τη κατάλληλη μύτη ⑯
- ! **χρησιμοποιείτε μόνο αιχμηρή μύτη**
- Για τρύπημα στο μπετόν ή σε πέτρα απαιτείται μια σταθερή πίεση πάνω στο δράπανο
- Όταν κάνετε διάτρηση σε σιδηρούχα μέταλλα
 - προ-τρυπήστε μία τρύπα μικρότερη από την απαιτούμενη
 - λιπαίνετε τα εξαρτήματα του τρυπανιού τακτικά με λάδι
- Για σωστό "καθαρό" τρύπημα στο ξύλο ⑰
- Τρύπημα χωρίς σκόνες σε τοίχους ⑱
- Τρύπημα χωρίς σκόνες σε οροφές ⑲
- Τρύπημα χωρίς γλιστρήματα σε πλακάκια ⑳
- Για περισσότερες πληροφορίες επισκεφθείτε τη σελίδα www.skil.com

ΣΥΝΤΗΡΗΣΗ / ΣΕΡΒΙΣ

- Αυτό το εργαλείο δεν προορίζεται για επαγγελματική χρήση
- Κρατάτε πάντοτε το εργαλείο και το καλώδιο καθαρά (και ιδιαίτερα τις θυρίδες αερισμού H ②)
- ! **αφαιρέστε την πρίζα πριν το καθάρισμα**
- Αν παρ' όλες τις επιμελημένες μεθόδους κατασκευής κι ελέγχου το εργαλείο σταματήσει κάποτε να λειτουργεί, τότε η επισκευή του πρέπει να ανατεθεί σ' ένα εξουσιοδοτημένο συνεργείο για ηλεκτρικά εργαλεία της SKIL
- στείλτε το εργαλείο **χωρίς να το αποσυναρμολογήσετε** μαζί με την απόδειξη αγοράς στο κατάστημα από το οποίο το αγοράσατε ή στον πλησιέστερο σταθμό τεχνικής εξυπηρέτησης της SKIL (θα βρείτε τις διευθύνσεις και το διάγραμμα συντήρησης του εργαλείου στην ιστοσελίδα www.skil.com)
- Να γνωρίζετε ότι βλάβες που προκαλούνται λόγω υπερφόρτωσης ή ακατάλληλου χειρισμού του εργαλείου, δεν καλύπτονται από την εγγύηση (για τους όρους της εγγύησης της SKIL επισκεφθείτε τη διεύθυνση www.skil.com ή απευθυνθείτε στον πλησιέστερο αντιπρόσωπο)

ΠΕΡΙΒΑΛΛΟΝ

- Μην πετάτε τα ηλεκτρικά εργαλεία, εξαρτήματα και συσκευασία στον κάδο οικιακών απορριμμάτων (μόνο για τις χώρες της ΕΕ)
 - σύμφωνα με την ευρωπαϊκή οδηγία 2012/19/EK περί ηλεκτρικών και ηλεκτρονικών συσκευών και την ενσωμάτωσή της στο εθνικό δίκαιο, τα ηλεκτρικά εργαλεία πρέπει να συλλέγονται ξεχωριστά και να επιστρέφονται για ανακύκλωση με τρόπο φιλικό προς το περιβάλλον
 - το σύμβολο ⑤ θα σας το θυμίσει αυτό όταν έλθει η ώρα να πετάξετε τις

ΘΟΥΡΒΟΣ / ΚΡΑΔΑΣΜΟΣ

- Βάσει της μέτρησης σύμφωνα με το πρότυπο EN 60745, η στάθμη ηχοπίεσης αυτού του εργαλείου είναι 94,2 dB(A) και η στάθμη ηχοπίεσης του 105,2 dB(A) (αβεβαιότητα K = 3 dB), και ο κραδασμός * (τριαξονικό διανυσματικό άθροισμα, αβεβαιότητα K = 1,5 m/s²)
 - * όταν τρυπάτε σε μέταλλο < 2,5 m/s²
 - * όταν τρυπάτε με κρούση σε μπετόν 11,1 m/s²
 - Το επίπεδο παραγωγής κραδασμών έχει μετρηθεί σύμφωνα με μια τυποποιημένη δοκιμή που αναφέρεται στο πρότυπο EN 60745 - μπορεί να χρησιμοποιηθεί για τη σύγκριση ενός εργαλείου με ένα άλλο, καθώς και ως προκαταρκτική αξιολόγηση της έκθεσης στους κραδασμούς όταν το εργαλείο χρησιμοποιείται για τις εφαρμογές που αναφέρονται
 - η χρήση του εργαλείου για διαφορετικές εφαρμογές ή με διαφορετικά ή κακοσυντηρημένα εξαρτήματα μπορεί να αυξήσει σημαντικά το επίπεδο έκθεσης
 - όταν το εργαλείο είναι απενεργοποιημένο ή δουλεύει αλλά δεν εκτελεί την εργασία, το επίπεδο έκθεσης μπορεί να μειωθεί σημαντικά
- ! προσαυτεείτε από τις επιδράσεις των κραδασμών συντηρώντας σωστά το εργαλείο και τα εξαρτήματά του, διατηρώντας τα χέρια σας ζεστά και οργανώνοντας τον τρόπο εργασίας σας**

RO

Μαşină de găurit cu percuşie 6745

INTRODUCERE

- Această sculă este concepută pentru găuriri cu percuşie în cărămidă ca şi pentru găuriri în lemn, metal, ceramică şi material plastic
- Această sculă nu este destinată utilizării profesionale
- Citiţi şi păstraţi acest manual de instrucţiuni ③

DATE TEHNICE ①

ELEMENTELE SCULEI ②

- A Întrerupător deschis/închis şi controlul vitezei
- B Buton pentru închiderea întrerupătorului
- C Rotiţă pentru reglajul vitezei maxime
- D Comutator pentru schimbarea direcţiei de rotaţie
- E Comutator de selecţie trepte de turaţie
- F Întrerupător pentru alegerea funcţiei de gaurire

- G Măner auxiliar
- H Fantele de ventilaţie

SIGURANŢA

INSTRUCŢIUNI GENERALE DE SIGURANŢĂ PENTRU SCULE ELECTRICE

⚠ AVERTISMENT Citiţi toate avertismentele, instrucţiunile, ilustraţiile şi specificaţiile furnizate împreună cu această sculă electrică. Neconformarea la instrucţiunile de mai jos poate produce şoc electric, incendiu şi/sau răniri grave.

Păstraţi toate avertizările şi instrucţiunile în vederea consultării ulterioare.

Termenul de “sculă electrică” folosit în indicaţiile de avertizare se referă la sculele electrice alimentate de la reţea (cu cablu de alimentare) şi la sculele electrice cu acumulator (fără e cablu de alimentare).

1) SIGURANŢA LA LOCUL DE MUNCĂ

- Păstraţi-vă locul de muncă curat şi bine iluminat.** Dezordinea la locul de muncă sau existenţa unor sectoare de lucru neiluminate poate duce la accidente.
- Nu folosiţi maşina în medii cu pericol de explozie, acolo unde există lichide, gaze sau pulberi inflamabile.** Sculele electrice pot produce scânteii care să aprindă pulberile sau vaporii.
- Nu permiteţi accesul copiilor şi al altor persoane în timpul lucrului cu maşina.** Dacă vi se distrage atenţia puteţi pierde controlul asupra maşinii.

2) SECURITATE ELECTRICĂ

- Ştecherul de racordare a maşinii trebuie să se potrivească cu priza de alimentare. Nu este permisă în nici-un caz modificarea ştecherului. Nu folosiţi adaptoare pentru ştechere la maşinile legate la pământ.** Ştecherele nemodificate şi prizele de curent adecvate acestora reduc riscul de electrocutare.
- Evitaţi contactul corporal cu suprafeţe legate la pământ ca ţevi, radiatoare, plite electrice şi frigidere.** Există un risc crescut de electrocutare atunci când corpul dv. este şi el legat la pământ.
- Nu lăsaţi maşina afară în ploaie sau în mediu umed.** Riscul de electrocutare creşte atunci când într-o sculă electrică pătrunde apă.
- Nu trageţi niciodată maşina de cordonul de alimentare pentru a o transporta, a o atârna sau a scoate ştecherul din priza de curent. Feriţi cordonul de alimentare de căldură, ulei, muchi ascuţi sau de subsansamble aflate în mişcare.** Un cordon de alimentare deteriorat sau înfăşurat măreşte riscul de electrocutare.
- Atunci când lucraţi cu scula electrică în aer liber, folosiţi numai cordonoe prelungitoare autorizate pentru exterior.** Întrebuinţarea unu cordon prelungitor adecvat utilizării în aer liber reduce riscul de electrocutare.
- Atunci când nu poate fi evitată utilizarea sculei electrice în mediu umed, folosiţi un întrerupător de circuit cu împământare.** Folosirea unei întrerupător de circuit cu împământare reduce riscul de electrocutare.

3) SECURITATEA PERSOANELOR

- a) **Fiți vigilenți, fiți atenți la ceea ce faceți și procedați rațional atunci când lucrați cu scula electrică. Nu folosiți mașina dacă sunteți obosiți sau vă aflați sub influența drogurilor, alcoolului sau a medicamentelor.** Un moment de neatenție în timpul lucrului cu mașina poate duce la răniiri grave.
- b) **Purtați echipament de protecție personală și întotdeauna ochelari de protecție.** Folosirea echipamentelor de protecție a persoanei ca mască de protecție împotriva prafului, încălțăminte antiderapantă, cască de protecție sau aparat de protecție auditivă, în funcție de tipul și domeniul de folosire al sculei electrice, reduce riscul răniirilor.
- c) **Evitați o punere în funcțiune involuntară. Înainte de a introduce ștecherul în priză și/sau de a introduce acumulatorul în scula electrică, de a o ridica sau de a o transporta, asigurați-vă că aceasta este oprită.** Dacă atunci când transportați scula electrică țineți degetul pe întrerupător sau dacă porniți scula electrică înainte de a o racorda la rețeaua de curent, puteți provoca accidente.
- d) **Înainte de a pune mașina în funcțiune scoateți afară cheile reglabile și fixe.** O cheie reglabilă sau fixă, aflată într-o componentă de mașină care se rotește, poate provoca răniiri.
- e) **Nu vă supraapreciați. Asigurați-vă o poziție stabilă și păstrați-vă întotdeauna echilibrul.** Astfel veți putea controla mai bine mașina în situații neașteptate.
- f) **Purtați îmbrăcăminte de lucru adecvată. Nu purtați haine largi sau podoabe. Feriți părul și îmbrăcămintea de piesele aflate în mișcare.** Îmbrăcămintea largă, podoabele și părul lung pot fi prinse de piesele aflate în mișcare.
- g) **Dacă există posibilitatea montării de echipamente și instalații de aspirare și colectare a prafului, asigurați-vă că acestea sunt conectate și folosite corect.** Folosirea unei instalații de aspirare a prafului poate duce la reducerea poluării cu praf.
- h) **Nu vă lăsați amăgiți de ușurința în operare dobândită în urma folosirii frecvente a sculelor electrice și nu ignorați principiile de siguranță ale acestora.** Neglijența poate provoca, într-o fracțiune de secundă, vătămări corporale grave
- #### 4) MANEVRAȚI ȘI FOLOSIȚI CU GRIJĂ SCULELE ELECTRICE
- a) **Nu suprasolicitați mașina. Folosiți scula electrică destinată executării lucrării dumneavoastră.** Cu scula electrică potrivit lucrăți mai bine și mai sigur în domeniul de putere specificat.
- b) **Nu folosiți scula electrică dacă are întrerupătorul defect.** O sculă electrică, care nu mai poate fi pornită sau oprită este periculoasă și trebuie reparată.
- c) **Scoateți ștecherul afară din priză și/sau îndepărtați acumulatorul dacă este detașabil, înainte de a executa reglaje, a schimba accesoriul sau a depozita scula electrică.** Această măsură preventivă reduce riscul unei porniri involuntare a mașinii.
- d) **În caz de nefolosire păstrați mașina la loc inaccesibil copiilor. Nu permiteți persoanelor care nu sunt familiarizate cu mașina sau care n-au citit prezentele instrucțiuni, să folosească mașina.** Sculele electrice sunt periculoase atunci când sunt

folosite de persoane fără experiență.

- e) **Întrețineți sculele electrice și accesoriile acestora. Controlați dacă componentele mobile funcționează corect și dacă nu se blochează, dacă nu există piese defecte sau deteriorate, care să afecteze funcționarea mașinii. Înainte de a repune în funcțiune mașina, duceți-o la un atelier de asistență service pentru repararea sau înlocuirea pieselor deteriorate.** Multe accidente s-au datorat întreținerii defectuoase a sculelor electrice.
- f) **Păstrați accesoriile bine ascuțite și curate.** Accesoriile atent întreținute, cu muchii tăietoare bine ascuțite se blochează mai greu și pot fi conduse mai ușor.
- g) **Folosii sculele electrice, accesoriile, dispozitivele de lucru etc. conform prezentelor instrucțiuni. Țineți seama de condițiile de lucru și de lucrarea care trebuie executată.** Întrebuințarea unor scule electrice destinate altor utilizări decât cele preconizate, poate duce la situații periculoase.
- h) **Mențineți mânerul și zonele de prindere uscate, curate și feriți-le de ulei și unsoare.** Mânerul și zonele de prindere alunecoase nu permit manevrarea și controlul sigur al sculei electrice în situații neașteptate.
- #### 5) SERVICIU
- a) **Permiteți repararea mașinii dumneavoastră numai de către un specialist calificat și numai cu piese de schimb originale.** În acest mod este garantată menținerea siguranței de exploatare a mașinii.

INSTRUCȚIUNI DE SIGURANȚĂ PENTRU MAȘINA DE GĂURIT CU PERCUȚIE

1) INSTRUCȚIUNI DE SIGURANȚĂ PENTRU TOATE OPERAȚIUNILE

- a) **Purtați protecții auditive atunci când găuriți cu percuție.** Expunerea la zgomot poate cauza pierderea auzului.
- b) **Utilizați mânerul(mânerul) auxiliar(e).** Pierderea controlului poate provoca vătămări corporale.
- c) **Țineți unealta electrică de mânerul izolat atunci când efectuați o operațiune în care accesoriul de tăiere sau dispozitivul de fixare poate atinge fire electrice ascunse sau propriul cablu.** Dacă accesoriul de tăiere sau dispozitivele de fixare ating fire electrice aflate sub tensiune, acest lucru poate face ca piesele metalice expuse ale unelei electrice să se electrifice, existând riscul unui șoc electric pentru operator.

2) INSTRUCȚIUNI DE SIGURANȚĂ ATUNCI CÂND UTILIZAȚI BURGHIIE LUNGI

- a) **Nu utilizați niciodată la o viteză mai mare decât viteza maximă acceptată a burghiului.** La viteze mai mari, este probabil ca burghiul să se îndoiească dacă se rotește liber fără contact cu piesa de prelucrat, ducând la vătămări corporale.
- b) **Începeți întotdeauna găurirea la viteză mică și cu vârful burghiului în contact cu piesa de prelucrat.** La viteze mai mari, este probabil ca burghiul să se îndoiească dacă se rotește liber fără contact cu piesa de prelucrat, ducând la vătămări corporale.
- c) **Aplicați presiune numai în linie dreaptă cu burghiul și nu aplicați presiune excesivă.** Burghiile se pot îndoii, provocând rupere sau pierdere a controlului, ducând la vătămări corporale.

GENERALITĂȚI

- Această sculă nu trebuie să fie folosit de persoane sub 16 ani
- **Decuplați întotdeauna ștecherul de la sursa de alimentare înainte de a face o reglare sau o schimbare de accesorii**
- Folosiți cabluri de prelungire derulate complet, protejate/izolate, cu o capacitate de 16 amperi
- **Nu prelucrați materiale care conțin azbest** (azbestul este considerat a fi cancerigen)
- Praful rezultat din materiale precum vopseala care conține plumb, unele specii de lemn, minerale și metale poate fi periculos (contactul cu praful sau inhalarea acestuia poate provoca reacții alergice și/sau afecțiuni respiratorii operatorului sau persoanelor care stau în apropiere); **purtați o mască de praf și lucrați cu un dispozitiv de extragere a prafului când poate fi conectat**
- Anumite tipuri de praf sunt clasificate ca fiind cancerigene (cum ar fi praful de stejar și fag) în special în combinație cu aditivi pentru tratarea lemnului; **purtați o mască de praf și lucrați cu un dispozitiv de extragere a prafului când poate fi conectat**
- Respectați reglementările naționale referitoare la aspirația prafului în funcție de materialele de lucru folosite

ÎNAINTEA UTILIZĂRII

- Verificați întotdeauna dacă tensiunea de alimentare este aceeași cu tensiunea indicată pe plăcuța de identificare a sculei
- Evitați daunele provocate de șuruburi, țiște și alte elemente din timpul lucrului; înlăturați aceste elemente înainte de a trece la acțiune
- **Folosiți detectoare adecvate pentru depistarea conductelor și conductorilor de alimentare sau apă în acest scop la întreprinderea locală de furnizare a utilităților** (contactul cu conductorii electrici poate provoca incendii sau electrocutare; deteriorarea unei conducte de gaz poate duce la explozii; spargerea unei conducte de apă provoacă pagube materiale sau poate provoca electrocutare)
- **Securizați piesa de lucru** (o piesă de lucru fixată cu clame sau într-o menhină este ținută mult mai în siguranță decât manual)
- Nu utilizați niciodată scula electrică atunci când cablul este deteriorat; acesta trebuie înlocuit cu un cablu special, disponibil prin intermediul organizației de service.

ACCESORII

- SKIL garantează funcționarea perfectă a aparatului numai dacă sunt folosite accesoriile originale
- Folosiți numai accesoriile a căror turație admisă este cel puțin egală cu turația maximă la mers în gol a aparatului

ÎN TIMPUL FUNCȚIONĂRII

- Feriți-vă întotdeauna cordonul de părțile în mișcare ale sculei
- Dacă burghiul se blochează brusc (ceea ce cauzează o reacție periculoasă) trebuie să opriți imediat aparatul
- Tineți scoteala de forțele care se creează ca urmare a blocării (mai ales la găurirea în metal); **folosiți întotdeauna mânerul auxiliar G** și luați o poziție stabilă
- În cazul unor defecțiuni electrice sau mecanice deconectați imediat instrumentul și scoateți șnurul din priză
- În cazul în care cordonul este deteriorat sau secționat în timpul lucrului, nu atingeți cordonul, dar deconectați imediat de la priză

DUPĂ UTILIZARE

- Când puneți instrumentul la o parte, deconectați motorul și asigurați-vă că toate elementele mobile și-au oprit complet mișcarea

EXPLICAȚIA SIMBOLURILOR DE PE INSTRUMENT

- ③ Citiți manual de instrucțiuni înainte de utilizare
- ④ Izolație dublă (nu este necesar fir de împământare)
- ⑤ Nu aruncați instrumentul direct la pubelele de gunoi

UTILIZAREA

- Porniți/opriți ⑥
- Întrerupător-blocare pentru uz continuu ⑦
- Control de viteză pentru start încet ⑧
- Reglajul vitezei maxime ⑨
- Potentiometrul rotativ C asigură reglajul al vitezei maxime de la mică la mare
 - porniți scula
 - blocați comutatorul
 - rotiți potențimetrul rotativ C pentru a selecta viteza maximă
- Selecție mecanică a treptelor de turație ⑩
 - setați comutatorul E la viteza dorită
- ! **acționați comutatorul de selecție a treptelor de turație în timp ce scula funcționează lent**
1 = VITEZĂ SCĂZUTĂ
 - moment de rotație mare
 - pentru găuriri de diametre mari
 - pentru realizarea de filete
- 2 = VITEZĂ MAXIMĂ
 - moment de rotație scăzut
 - pentru găuriri de diametre mai mici
- Schimbarea direcției de rotație ⑪
 - dacă pârghia nu se așa în poziția corectă stânga/dreapta, întrerupător A ② nu va putea fi acționat
- ! **schimbați direcția de rotație abia atunci când aparatul este complet oprit**
- Găurire normal contra găuriri cu percuție ⑫
 - ! **selectează funcția de gaurire numai când scula este oprită și deconectată de la priză**
- Înlocuirea biți ⑬
 - introduceți bitul mat adânc în mandrina
 - ! **nu folosiți biți cu coadă deteriorată**
- Reglajul adâncimii de găurire ⑭
- Mănuirea și dirijarea sculei ⑮
 - **folosiți întotdeauna mânerul auxiliar G** (care trebuie să fie ajustat așa cum apare în schemă)
 - ! **în timp ce lucrați, țineți întotdeauna scula de zonă (zonele) de prindere colorate gri**
 - păstrați deschise fantele de ventilație
 - nu exercitați prea multă presiune asupra sculei; lăsați scula să funcționeze

SFATURI PENTRU UTILIZARE

- Folosiți biți juste ⑯
 - ! **folosiți numai biți ascuțiți**
- Pentru perforarea în beton sau piatră, este necesară exercitarea unei presiuni constante
- La găurirea în metale feroase
 - când este necesară găurirea la un diametru mare, efectuați întâi o găurire intermediară, la diametru mai mic
 - ungeți cu ulei din când în când burghiul

- Гăурire а̀шчатя в лемн ⁽¹⁷⁾
- Гăурire в зидуря фара прѧф ⁽¹⁸⁾
- Гăурire в плафоане фара прѧф ⁽¹⁹⁾
- Гăурire в тигле фара а aluneca ⁽²⁰⁾
- Pentru mai multe informații, consultați www.skil.com

ÎNТРЕТІNІRE / SERVICE

- Această sculă nu este destinată utilizării profesionale
- Păstrați aparatul și cablul curat (mai ales fantele de ventilație H ⁽²⁾)
- ! **deconectați de la priză înainte de a curăța**
- Dacă в ciuda procedeeor de fabricație și control riguroase scula are totuși o pană, repararea acesteia се va face numai la un atelier de asistență service autorizat pentru scule electrice SKIL
 - trimiteți scula **в totalitatea lui** cu bonul de cumpărare la distribuitorul sau la centrul de service SKIL cel mai apropiat (adrese și diagrame de service се гăсеаск www.skil.com)
- Trebuie să fiți conștienți de faptul că deteriorarea datorată suprasarcinii sau utilizării incorecte а sculei vor fi excluse din гаранție (пенту condițiile de гаранție SKIL consultați www.skil.com sau întreбаți distribuitorul)

MEDIUL

- **Nu aruncați sculele electrice, accesoriile sau ambalajele direct la pubelele de gunoi** (numai pentru țările din Comunitatea Europeană)
 - Directiva Europeană 2012/19/EC face referire la modul de aruncare а echipamentelor electrice și electronice și modul de aplicare а normelor в conformitate cu legislația națională; sculele electrice в momentul в care au atins un grad avansat de uzură și trebuie sc aruncate, ele trebuie sc colectate separat și reciclate втн-в un mod ce respectă normele de protecție а mediului вinconjurător
 - simbolul ⁽⁵⁾ vă va reaminti acest lucru

ZGOMOT / VIBRAȚII

- Măsurate в conformitate cu EN 60745, nivelul de presiune sonoră а acestui instrument este 94,2 dB(A) și nivelul de zgomot 105,2 dB(A) (incertitudinea K = 3 dB) și vibrația * (suma vectorială triaxială; incertitudinea K = 1,5 m/s²)
 - * când гăуриți в метал < 2,5 m/s²
 - * când гăуриți cu percucie в бетон 11,1 m/s²
- Nivelul emisiilor de vibrații а fost măsurat в conformitate cu un test standardizat precizat в EN 60745; poate fi folosit pentru а compara о sculă cu alta și ca evaluare preliminară а expunerii la vibrații atunci când folosiți scula pentru aplicațiile menționate
 - utilizarea sculei pentru aplicații diferite sau cu accesorii diferite și prost втнреținуте poate **crește** semnificativ nivelul de expunere
 - momentele в care scula este oprită sau când funcționează dar nu execută nicio lucrare, pot **reduce** semnificativ nivelul de expunere
- ! **protejați-vă вmpotriva efectelor vibrațiilor prin втнреținerea sculei și а accesoriilor sale, păstrând mâinile calde și organizând procesele de lucru**

BG

Ударна бормашина

6745

УВОД

- Този инструмент е предназначен за ударно пробиване на тухла а също така и за пробиване на дърво, метал, керамика и пластмаса
- Този инструмент не е предназначен за професионална употреба
- Прочетете и пазете това ръководство за работа ⁽³⁾

ТЕХНИЧЕСКИ ДАННИ ⁽¹⁾

ЕЛЕМЕНТИ НА ИНСТРУМЕНТА ⁽²⁾

- A Спусък за включване/изключване и регулиране на скоростта
- B Бутон за застопоряване на включващия спусък
- C Диска за регулиране на максимална скорост
- D Превключвател за обръщане на посоката на въртене
- E Превключвател за предавките
- F Превключвател за избор на пробивна функция
- G Помощна ръчка
- H Вентилационните отвори

БЕЗОПАСНОСТ

ОБЩИ УКАЗАНИЯ ЗА БЕЗОПАСНА РАБОТА С ЕЛЕКТРОИНСТРУМЕНТИ

⚠ ПРЕДУПРЕЖДЕНИЕ Прочете всички предупреждения за безопасност, инструкции, илюстрации и спецификации, доставени с този електроинструмент. Неспазването на всички описани по-долу инструкции може да доведе до токов удар, пожар и/или тежко нараняване.

Запазете всички предупреждения и указания за ползване в бъдеще.

Използваният по-долу термин "електроинструмент" се отнася до захранвани от електрическата мрежа електроинструменти (със захранващ кабел) и до захранвани от акумулаторна батерия електроинструменти (без захранващ кабел).

1) БЕЗОПАСНОСТ НА РАБОТНОТО МЯСТО

- a) **Поддържайте работното си място чисто и подредено.** Безпорядъкът или недостатъчното осветление могат да спомогнат за възникването на трудова злополука.
- b) **Не работете с електроинструмента в среда с повишена опасност от възникване на експлозия, в близост до леснозапалими течности, газове или прахообразни материали.** По време на работа в електроинструментите се отделят искри, които могат да възпламенят прахообразни материали или пари.
- c) **Дръжте деца и странични лица на безопасно разстояние, докато работите с**

елентроинструмента. Ако вниманието Ви бъде отклонено, може да загубите контрола над елентроинструмента.

2) БЕЗОПАСНОСТ ПРИ РАБОТА С ЕЛЕКТРИЧЕСКИ ТОК

- a) Щепселът на елентроинструмента трябва да е подходящ за ползвания контакт. В никакъв случай не се допуска изменение на конструкцията на щепсела. Когато работите със занулени елентроуреди, не използвайте адаптери за щепсела. Ползването на оригинални щепсели и контакти намалява риска от възникване на токов удар.
 - b) Избягвайте допира на тялото Ви до заземени тела, напр. тръби, отоплителни уреди, пещи и хладилници. Когато тялото Ви е заземено, рискът от възникване на токов удар е по-голям.
 - c) Предпазвайте елентроинструмента си от дъжд и влага. Проникването на вода в елентроинструмента повишава опасността от токов удар.
 - d) Не използвайте захранващия кабел за цели, за които той не е предвиден, напр. за да носите елентроинструмента за кабела или да извадите щепсела от контакта. Предпазвайте кабела от нагриване, омасляване, допир до остри ръбове или до подвижни звена на машини. Повредени или усукани кабели увеличават риска от възникване на токов удар.
 - e) Когато работите с елентроинструмент навън, използвайте само удължителни кабели, предназначени за работа на открито. Използването на удължител, предназначен за работа на открито, намалява риска от възникване на токов удар.
 - f) Ако се налага използването на елентроинструмента във влажна среда, използвайте предпазен прекъсвач за утечни токове. Използването на предпазен прекъсвач за утечни токове намалява опасността от възникване на токов удар.
- ## 3) БЕЗОПАСЕН НАЧИН НА РАБОТА
- a) Бъдете концентрирани, следете внимателно действията си и постъпвайте предпазливо и разумно. Не използвайте елентроинструмента, когато сте уморени или под влиянието на наркотични вещества, алкохол или упойващи лекарства. Един миг разсеяност при работа с елентроинструмент може да има за последствие изключително тежки наранявания.
 - b) Работете с предпазващо работно облекло и винаги с предпазни очила. Носенето на подходящи за ползвания елентроинструмент и извършваната дейност лични предпазни средства, като дихателна маска, здрави плътнотзатворени обувки със стабилен грайфер, защитна наска или шумозаглушители (антифони), намалява риска от възникване на трудова злополука.
 - c) Избягвайте опасността от включване на елентроинструмента по невнимание. Преди да включите щепсела в захранващата мрежа или да поставите акумуляторната батерия, се уверявайте, че пусковият прекъсвач е в положение изключено. Ако, когато носите

елентроинструмента, държете пръста си върху пусковия прекъсвач, или ако подавате захранващо напрежение на елентроинструмента, когато е включен, съществува опасност от възникване на трудова злополука.

- d) Преди да включите елентроинструмента, се уверявайте, че сте отстранили от него всички помощни инструменти и гаечни ключове. Помощен инструмент, забравен на въртящо се звено, може да причини травми.
 - e) Не надценявайте възможностите си. Работете в стабилно положение на тялото и във всеки момент поддържайте равновесие. Така ще можете да контролирате елентроинструмента по-добре и по-безопасно, ако възникне неочаквана ситуация.
 - f) Работете с подходящо облекло. Не работете с широки дрехи или украшения. Дрънте косата и дрехите си на безопасно разстояние от движещи се звена. Широките дрехи, украшенията, дългите носи могат да бъдат захванати и увлечени от въртящи се звена.
 - g) Ако е възможно използването на външна аспирационна система, се уверявайте, че тя е включена и функционира изправно. Използването на аспирационна система намалява рисковете, дължащи се на отделящата се при работа прах.
 - h) Доброто познаване на елентроинструмента вследствие на честа работа с него не е повод за намаляване на вниманието и пренебрегване на мерките за безопасност. Едно невнимателно действие може да предизвика тежки наранявания само за части от секундата.
- ## 4) ВНИМАТЕЛНО ОТНОШЕНИЕ КЪМ ЕЛЕКТРОИНСТРУМЕНТИ
- a) Не претоварвайте елентроинструмента. Използвайте елентроинструментите само съобразно тяхното предназначение. Ще работите по-добре и по-безопасно, когато използвате подходящия елентроинструмент в зададения от производителя диапазон на натоварване.
 - b) Не използвайте елентроинструмент, чиито пусков прекъсвач е повреден. Елентроинструмент, който не може да бъде изключван и включван по предвидения от производителя начин, е опасен и трябва да бъде ремонтиран.
 - c) Преди да извършвате каквито и да е дейности по елентроинструмента, напр. настройване, смяна на работен инструмент, канто и когато го прибирате, изключвайте щепсела от контакта, респ. изваждайте батерията, ако е възможно. Тази мярка премахва опасността от задействане на елентроинструмента по невнимание.
 - d) Съхранявайте елентроинструментите на места, където не могат да бъдат достигнати от деца. Не допускате те да бъдат използвани от лица, които не са запознати с начина на работа с тях и не са прочели тези инструкции. Когато са в ръцете на неопитни потребители, елентроинструментите могат да бъдат изключително опасни.
 - e) Поддържайте добре елентроинструментите си и асесоарите им. Проверявайте дали подвижните звена функционират безукорно, дали не

заклинват, дали има счупени или повредени детайли, които нарушават или изменят функциите на електроинструмента. Преди да използвате електроинструмента, се погрижете повредените детайли да бъдат ремонтирани. Много от трудовете злополуки се дължат на недобре поддържани електроинструменти и уреди.

- f) **Поддържайте режещите инструменти винаги добре заточени и чисти.** Добре поддържаните режещи инструменти с остри ръбове оказват по-малко съпротивление и се водят по-леко.
- g) **Използвайте електроинструментите, допълнителните приспособления, работните инструменти и т.н., съобразно инструкциите на производителя. С дейности и процедури, евентуално предписани от различни нормативни документи.** Използването на електроинструменти за различни от предвидените от производителя приложения повишава опасността от възникване на трудови злополуки.
- h) **Поддържайте дръжките и ръкохватките сухи, чисти и неомаслени.** Хлъзгавите дръжки и ръкохватки не позволяват безопасната работа и доброто контролиране на електроинструмента при възникване на неочаквана ситуация.
- 5) **ПОДДЪРЖАНЕ**
- a) **Допускайте ремонтът на електроинструментите Ви да се извършва само от квалифицирани специалисти и само с използването на оригинални резервни части.** По този начин се гарантира съхраняване на безопасността на електроинструмента.

УКАЗАНИЯ ЗА БЕЗОПАСНА РАБОТА ЗА УДАРНА БОРМАШИНА

1) ИНСТРУКЦИИ ЗА БЕЗОПАСНОСТ ЗА ВСИЧКИ ОПЕРАЦИИ

- a) **Носете протектори за уши при ударно пробиване.** Излагането на шум може да причини загуба на слуха.
- b) **Използвайте спомагателната дръжка/дръжки.** Загубата на контрол може да причини телесно нараняване.
- c) **Дръжте електроинструмента за изолираните повърхности за захващане при изпълняване на операция, при която режещият аксесоар или скрепителните елементи могат да влязат в контакт със скрито окабеляване или със собствения си кабел.** Режещ аксесоар или скрепителни елементи в контакт с „жив“ електрически проводник могат да направят изложените метални части на електроинструмента „живи“ и могат да причинят електрически удар у оператора.

2) ИНСТРУКЦИИ ЗА БЕЗОПАСНОСТ ПРИ УПОТРЕБАТА НА ДЪЛГИ СВРЕДЛА

- a) **Никога не оперирайте при по-висока скорост от максималния индекс на скоростта на свредлото.** При по-високи скорости свредлото е възможно да се огъне, ако му се позволи да се върти свободно, без да е в контакт с обработвания детайл, водейки до телесно нараняване.

- b) **Винаги започвайте да пробивате при ниска скорост и с връх на свредлото в контакт с обработвания детайл.** При по-високи скорости свредлото е възможно да се огъне, ако му се позволи да се върти свободно, без да е в контакт с обработвания детайл, водейки до телесно нараняване.
- c) **Прилагайте налягане само в права линия по отношение на свредлото и не прилагайте прекомерно налягане.** Свредлата могат да се огънат, причинявайки счупване или загуба на контроли, водейки до телесно нараняване.

ОБЩИ

- Машината не трябва да се използва от лица под 16 години
- **Преди извършването на каквато и да било настройка или смяна на принадлежност винаги изваждайте щепсела от контакта на електрозахранването**
- Използвайте напълно развити и безопасни разклонители с капацитет 16 А
- **Не обработвайте азбестосъдържащ материал** (азбестът е канцерогенен)
- Прахът от някои материали, като например съдържаща олово боя, някои видове дървесина, минерали и метали може да бъде вреден (контакт или вдишване на такъв прах могат да причинят алергични реакции и/или респираторни заболявания на оператора или стоящите наблизо лица); **използвайте противопопрахова масна и работете с аспириращо прахта устройство, когато такова може да бъде свързано**
- Определени видове прах са класифицирани като карциногенни (като прах от дъб и бук) особено когато са комбинирани с добавки за подобряване на състоянието на дървесината; **използвайте противопопрахова масна и работете с аспириращо прахта устройство, когато такова може да бъде свързано**
- Следвайте дефинираните по БДС изисквания относно запрашеността за материалите, които желаете да обработвате

ПРЕДИ УПОТРЕБА

- Преди включване на инструмента в контакта се уверете, че мрежовото напрежение отговаря на напрежението, обозначено на фирмената табелка на инструмента
- Избягвайте повреди, които могат да бъдат причинени от винтове, гвоздеи и други метални елементи в обработвания детайл; отстранете ги преди да започнете работа
- **За да откриете скрити под повърхността електрически, водо- и газопроводи, използвайте подходящи уреди или се обърнете към местното снабдително дружество** (прекъсването на електропроводници под напрежение може да предизвика пожар и/или токов удар; увреждането на газопровод може да предизвика експлозия; засягането на водопровод може да предизвика значителни материални щети и/или токов удар)
- **Обезопасете работния материал** (материал, затегнат в затягат инструмент или в менгеме е по-устойчив, отколкото ако се държи в ръка)
- Никога не използвайте инструмента, ако кабелът е повреден; той трябва да бъде заменен със

специално подготвен кабел, наличен през сервисната организация.

АНЕСОСАРИ

- SKIL може да осигури безаварийна работа на електроинструмента само ако се използват оригинални допълнителни приспособления
- Използвайте само принадлежности, чиято допустима скорост на въртене е поголяма или равна на максималната скорост на въртене на празен ход на електроинструмента

ПРИ УПОТРЕБА

- Винаги отвеждайте захранващият кабел далеч от движещите се звена на електроинструмента
- Ако свредлото на пробивната инструмент неочаквано заседне (предизвиквайки внезапно, опасно противодействие), незабавно изключете електроинструмента
- Имайте предвид силите, които възникват в резултат на засядане на свредлото (особено при пробиване на метали); **винаги използвайте спомагателна ръчна G** и поддържайте устойчиво положение на тялото
- В случай на електрическа или механична неизправност, изключете незабавно апарата и прекъснете контакта с електрическата мрежа
- Ако кабелът се повреди ил среже по време на работа, не го докосвайте, веднага изключете щепсела, никога не използвайте инструмента с повреден кабел

СЛЕД РАБОТА

- Преди да приберете инструмента, изключете мотора и се уверете, че всички движещи се части са преустановили движението

ОБЯСНЕНИЕ НА СИМВОЛИТЕ ПО ИНСТРУМЕНТА

- ③ Преди употреба прочетете ръководството с указания
- ④ Двойна изолация (не се изисква кабел за заземяване)
- ⑤ Не изхвърляйте инструмента заедно с битови отпадъци

УПОТРЕБА

- Включване/изключване ⑥
 - Застопоряване на включващия спусък за непрекъсната работа ⑦
 - Регулиране на скоростта за плавно пускане в ход ⑧
 - Управление на максималната скорост ⑨
 - С диска С максималната скорост може да се регулира от ниска до висока
 - включете инструмента
 - блокирайте ключа
 - завъртете диска С за максимална скорост
 - Механичен редуктор ⑩
 - поставете превключвателя Е на желаната скорост
- ! задействайте превключвателя за предавните, когато инструментът работи бавно**
- 1 = НИСКА СКОРОСТ
- голям въртящ момент
 - за пробиване на големи диаметри
 - за нарязване на резба
- 2 = ВИСОКА СКОРОСТ
- по-малък въртящ момент
 - за пробиване на малки диаметри

- Обръщане на посоката на въртене ⑪
 - ако лостът не е точно в положение включване/изключване, спусъкът А ⑫ не може да бъде активиран
- **! обръщайте посоката на въртене само когато електроинструментът е напълно спръл**
- Нормално пробиване и ударно пробиване ⑬
 - **! избирайте пробивна функция само при изключен инструмент и щепселът е изключен от контакта**
- Смяна на бит ⑬
 - поставете бита колкото е възможно по-навътре в патронника
- **! не използвайте бит с повредена опашка**
- Регулиране на дълбочината на пробиване ⑭
- Държане и насочване на инструмента ⑮
 - **винаги използвайте спомагателна ръчна G** (наглася се както е показано на илюстрацията)
 - **! по време на работа, винаги дръжте уреда за оцветената(ите) в сиво зона(и) за хващане**
 - оставайте вентилационните отвори непокрити
 - не прилагайте твърде голям натиск върху инструмента; нека той да свърши работата вместо вас


УКАЗАНИЯ ЗА РАБОТА

- Използвайте подходящи бит ⑯
 - **! използвайте само остри бит**
- При пробиване в бетон или камък е необходим постоянен натиск върху дрелката
- При пробиване на цветни метали
 - ако ви трябва голям отвор, първо пробийте малък
 - от време на време смазвайте свредлата с машинно масло
- Пробиване в дърво без откъртване на ръбчето ⑰
- Безпрахово пробиване в стени ⑱
- Безпрахово пробиване в тавани ⑱
- Пробиване на керамични плочки без плъзгане на свредлото ⑲
- За повече информация вижте www.skil.com

ПОДДРЪЖКА / СЕРВИЗ

- Този инструмент не е предназначен за професионална употреба
- Поддържайте винаги електроинструмента и захранващия кабел чисти (особено вентилационните отвори Н ⑫)
- **! преди почистване изключете щепсела**
- Ако въпреки прецизното производство и внимателно изпитване възникне повреда, инструмента да се занесе за ремонт в оторизиран сервис за електроинструменти на SKIL
 - занесете инструмента в **неразглобен вид** заедно с доказателство за покупката му в търговския обект, откъдето сте го закупили, или в най-близкия сервис на SKIL (адресите, както и схемата за сервисно обслужване на електроинструмента, можете да намерите на адрес www.skil.com)
- Имайте предвид, че повреда поради претоварване или неправилно манипулиране с инструмента ще бъдат изключени от гаранцията (за условията на гаранцията от SKIL виж на интернет адрес: www.skil.com или попитайте вашия дилър)

ОПАЗВАНЕ НА ОКОЛНАТА СРЕДА

- Не изхвърляйте електроуредите, приспособленията и опаковките заедно с битови отпадъци (само за страни от ЕС)
 - съобразно Директивата на ЕС 2012/19/EG относно износени електрически и електронни уреди и отразяването ѝ в националното законодателство износените електроуреди следва да се събират отделно и да се предават за рециклиране според изискванията за опазване на околната среда
 - за това указва символът  тогава когато трябва да бъдат унищожени

ШУМ / ВИБРАЦИИ


- Измерено в съответствие с EN 60745, нивото на звуковото налягане на този инструмент е 94,2 dB(A), а нивото на звуковата мощност 105,2 dB(A) (неопределеност K = 3 dB), и вибрацията * (триаксиална векторна сума; неопределеност K = 1,5 m/s²)
 - * при пробиване в метал < 2,5 m/c²
 - * при ударно пробиване в бетон 11,1 m/c²
 - Нивото на предадените вибрации е измерено в съответствие със стандартизирания тест, определен в EN 60745; то може да се използва за сравнение на един инструмент с друг и като предварителна оценка на подлагането на вибрации при използването на инструмента за посочените приложения
 - използването на инструмента за различни от тези приложения или с други, или лошо поддържани аксесоари може значително да повиши нивото на което сте подложени
 - периодите от време, когато инструмента е изключен или съответно включен, но с него не се работи в момента могат значително да намалят нивото на което сте подложени
- ! предпазвайте се от ефектите от вибрациите, като поддържате инструмента и аксесоарите му, пазете ръцете си топли и организирате вашите модели на работа**

SK

Прилеповá вртáчка

6745

ÚVOD

- Tento nástroj je určený na príleповé vrtanie do tehál ako aj na vrtanie do dreva, do kovu, keramiky a materiálov z umelých hmôt
- Tento nástroj nie je vhodný pre profesionálne použitie
- Prečítajte a uschovajte tento návod na použitie 

TECHNICKÉ ÚDAJE

ČASTI NÁSTROJA

- A Prepínač zapnúť/vypnúť a regulácia rýchlosti
- B Gombík na uzamknutie vypínača
- C Koliesko na nastavenie maximálnej rýchlosti
- D Prepínač na zmenu smeru otáčania
- E Prepínač rýchlostných stupňov
- F Prepínač na voľbu vrtacej funkcie

- G Pomocné držadlo
- H Vetracie štrbiny

BEZPEČNOSŤ

VŠEOBECNÉ BEZPEČNOSTNÉ UPOZORNENIA TÝKAJUĆE SA ELEKTRICKÉHO NÁRADIA

 **VÝSTRAHA** Prečítajte si všetky bezpečnostné výstrahy, pokyny, ilustrácie a technické údaje, ktoré sú dodané s týmto elektrickým nástrojom. Nedodržanie všetkých nižšie uvedených pokynov môže viesť k poraneniu elektrickým prúdom, požiaru a/alebo vážnemu poraneniu.

Všetky upozornenia a pokyny si odložte na ďalšie použitie.

Pojem „elektrické náradie“ používaný v nasledujúcom texte sa vzťahuje na ručné elektrické náradie napájané zo siete (s prírodnou šnúrou) a na ručné elektrické náradie napájané akumulátorovou batériou (bez prírodnej šnúry).

1) BEZPEČNOSŤ NA PRACOVISKU

- a) **Udržujte svoje pracovisko čisté a upratané.** Neporiadok na pracovisku alebo neosvetlené časti pracoviska môžu viesť k úrazom.
- b) **Nepracujte elektrickým náradím v prostredí ohrozenom výbuchom, v ktorom sa nachádzajú horľavé kvapaliny, plyny alebo prach.** Elektrické náradie produkuje iskry, ktoré môžu prach alebo pary zapáliť.
- c) **Deťi a iné osoby udržiavajte počas práce od ručného elektrického náradia v dostatočnej vzdialenosti.** V prípade odpútania Vašej pozornosti by ste mohli stratiť kontrolu nad náradím.

2) ELEKTRICKÁ BEZPEČNOSŤ

- a) **Zástrčka prírodnej šnúry sa musí hodiť do napájacej zásuvky. Zástrčka sa v žiadnom prípade nesmie meniť. Pri uzemnených spotrebičoch nepoužívajte spolu s nimi žiadne adaptéry.** Nezmenená zástrčka a vhodná zásuvka znižujú riziko zásahu elektrickým prúdom.
- b) **Vyhýbajte sa telesnému kontaktu s povrchovými plochami uzemnených spotrebičov, ako sú elektrické rúry, vyhrievacie telesá, sporáky a chladničky.** Keď je Vaše telo uzemnené, riziko zásahu elektrickým prúdom je vyššie.
- c) **Chráňte ručné elektrické náradie pred dažďom a vlhkom.** Vniknutie vody do ručného elektrického náradia zvyšuje riziko zásahu elektrickým prúdom.
- d) **Nepoužívajte prírodnú šnúru na prenášanie náradia, na jeho vešanie, ani za ňu nevyťahujte zástrčku zo zásuvky. Prírodnú šnúru chráňte pred horúcou, olejom, ostrými hranami alebo pohybujúcimi sa časťami náradia.** Poškodené alebo zauzlené šnúry zvyšujú riziko zásahu elektrickým prúdom.
- e) **Ak pracujete s ručným elektrickým náradím vonku, používajte len také predĺžovacie šnúry, ktoré sú schválené pre používanie vo vonkajších priestoroch.** Použitie predĺžovacej šnúry určenej do vonkajšieho prostredia znižuje riziko zásahu elektrickým prúdom.
- f) **Ak sa nedá vyhnúť použitiu ručného elektrického**

náradia vo vlhkom prostredí, použite prerušovač uzemňovacieho obvodu. Používanie prerušovača uzemňovacieho obvodu znižuje riziko zásahu elektrickým prúdom.

3) BEZPEČNOSŤ OSÔB

- a) **Buďte pozorní, dávajte pozor na to, čo robíte a k práci s elektrickým náradím pristupujte rozumne. Nepoužívajte elektrické náradie, keď ste unavení alebo keď ste pod vplyvom drog, alkoholu alebo liekov.** Chvíľa nepozornosti pri používaní náradia môže viesť k vážnym poraneniam.
- b) **Noste osobné ochranné pomôcky, ochranný odev a vždy majte nasadené ochranné okuliare.** Nosenie pracovného odevu a používanie ochranných pomôcok ako ochrannej dýchacej masky, bezpečnostných protišmykových topánok, prilby alebo chrániča sluchu, podľa druhu elektrického náradia, znižuje riziko poranenia.
- c) **Vyhýbajte sa neúmyselnému uvedeniu ručného elektrického náradia do činnosti. Pred zasunutím zástrčky do zásuvky a/alebo pred pripojením akumulátora, pred chytením alebo prenášaním ručného elektrického náradia sa vždy presvedčte sa, či je ručné elektrické náradie vypnuté.** Ak budete mať pri prenášaní ručného elektrického náradia prst na vypínači, alebo ak ručné elektrické náradie pripojíte na elektrickú sieť zapnutú, môže to mať za následok nehodu.
- d) **Skôr ako ručné elektrické náradie zapnete, odstráňte nastavovacie a montážne nástroje.** Nástroj alebo kľúč, ktorý sa nachádza v pohyblivej časti náradia, môže spôsobiť poranenie.
- e) **Neprečunujte sa. Zabezpečte si pevný postoj a neprestajne udržiavajte rovnováhu.** Takto budete môcť ručné elektrické náradie v neočakávaných situáciách lepšie kontrolovať.
- f) **Pri práci noste vhodný pracovný odev. Nenoste široké odevy a nemajte na sebe šperky. Vyvarujte sa toho, aby sa vaše vlasy a odev dostali do blízkosti pohyblivých častí.** Voľný odev, dlhé vlasy alebo šperky môžu byť zachytené rotujúcimi časťami ručného elektrického náradia.
- g) **Ak možno namontovať zariadenie na odsávanie alebo zachytávanie prachu, presvedčte sa, či je pripojené a správne používané.** Používanie odsávacieho zariadenia a zariadenia na zachytávanie prachu znižuje riziko ohrozenia zdravia prachom.
- h) **Nepodliehajte falošnému pocitu istoty získanej z častého používania náradia a nekonajte v rozpore s princípmi bezpečného používania náradia.** Nepozorná práca môže v priebehu zlomkov sekundy viesť k ťažkému poraneniu.
- 4) **STAROSTLIVÉ ZAOBCHÁDZANIE S ELEKTRICKÝM NÁRADÍM A JEHO POUŽÍVANIE**
 - a) **Náradie nepreťažujte. Pre svoju prácu používajte určené elektrické náradie.** Pomocou vhodného ručného elektrického náradia budete môcť v uvedenom rozsahu výkonu pracovať lepšie a bezpečnejšie.
 - b) **Nepoužívajte žiadne ručné elektrické náradie, ktoré má pokazený vypínač.** Ručné elektrické náradie, ktoré sa už nedá zapínať alebo vypínať, je nebezpečné a treba ho dať opraviť.
 - c) **Skôr ako začnete náradie nastavovať alebo**

prestavovať, vymieňať príslušenstvo alebo ako odložíte náradie, vždy vyťahnite koncovku sieťovej šnúry zo zásuvky a/alebo vyberte akumulátor, ak sa dá vybrať. Toto preventívne opatrenie zabraňuje neúmyselnému spusteniu ručného elektrického náradia.

- d) **Nepoužívané ručné elektrické náradie uschovávajte mimo dosahu detí. Nedopustíte, aby ručné elektrické náradie používali osoby, ktoré s ním nie sú dôkladne oboznámené, alebo ktoré si neprečítali tento Návod na používanie.** Ak ručné elektrické náradie používajú neskúsené osoby, stáva sa nebezpečným nástrojom.
- e) **Ručné elektrické náradie a príslušenstvo starostlivo ošetrte. Skontrolujte, či pohyblivé súčiastky náradia bezchybne fungujú a neblokujú a či nie sú zlomené alebo poškodené niektoré súčiastky, ktoré by mohli negatívne ovplyvniť fungovanie ručného elektrického náradia. Pred použitím ručného elektrického náradia dajte poškodené súčiastky opraviť.** Nejednen úraz bol spôsobený zle udržiavaným náradím.
- f) **Používané nástroje udržiavajte ostré a čisté.** Starostlivo ošetrované nástroje s ostrými reznými hranami sa menej často zablokujú a ich vedenie je podstatne ľahšie.
- g) **Používajte ručné elektrické náradie, príslušenstvo, pracovné nástroje a pod. podľa týchto pokynov. Zohľadnite pritom konkrétne pracovné podmienky a činnosť, ktorú máte vykonať.** Používanie ručného elektrického náradia na iné ako určené účely môže viesť k nebezpečným situáciám.
- h) **Rukoväť a úchopové povrchy udržiavajte suché, čisté a bez oleja alebo mazacieho tuku.** Šmykľavé rukoväti a úchopové povrchy neumožňujú bezpečnú manipuláciu a ovládanie náradia v neočakávaných situáciách.
- 5) **SERVIS**
 - a) **Ručné elektrické náradie zverte do opravy len kvalifikovanému personálu a používajte len originálne náhradné súčiastky.** Tým sa zabezpečí zachovanie bezpečnosti ručného elektrického náradia.

BEZPEČNOSTNÉ POKYNY PRE PRÍKLEPOVÚ VRTÁČKU

- 1) **BEZPEČNOSTNÉ POKYNY PRE VŠETKY ČINNOSTI**
 - a) **Pri príklepovom vrtaní používajte chrániče sluchu.** Vystavenie hluku môže spôsobiť stratu sluchu.
 - b) **Používajte pomocnú rukoväť.** Strata kontroly môže spôsobiť vznik úrazu.
 - c) **Elektrické náradie držte za izolované plochy rukoväti pri vykonávaní takej práce, pri ktorej by rezacie príslušenstvo alebo upevňovacie prvky mohli naraziť na skryté elektrické vedenia alebo vlastnú sieťovú kábel.** Kontakt rezacieho príslušenstva alebo upevňovacích prvkov s vedením, ktoré je pod napätím, spôsobí, že aj kovové súčiastky náradia sa dostanú pod napätie, čo môže spôsobiť zásah operátora elektrickým prúdom.
- 2) **BEZPEČNOSTNÉ POKYNY PRI POUŽÍVANÍ DLHÝCH VRTÁKOV**
 - a) **Nikdy nepracujte pri vyššej rýchlosti, ako je maximálna menovitá rýchlosť vrtáka.** Pri vyšších rýchlostiach sa vrták môže ohnúť, keď sa točí voľne bez kontaktu s obrobkom.
 - b) **Vždy začnite vrtáť pri nízkej rýchlosti a pri kontakte**

špičky vrtáka s obrobkom. Pri vyšších rýchlostiach sa vrták môže ohnúť, keď sa točí voľne bez kontaktu s obrobkom.

- c) **Aplikujte tlak len v priamom smere so špičkou a nevyvíjajte nadmerný tlak.** Vrtáky sa môžu ohnúť a zlomiť sa alebo spôsobiť stratu kontroly a následne spôsobiť zranenie.

VŠEOBECNE

- Tento nástroj by nemali používať osoby mladšie ako 16 rokov
- **Pri nastavovaní alebo výmene príslušenstva vždy vytiahnite privodný kábel zo zásuvky**
- Používajte úplne odmotanú a bezpečnú predlžovaciu šnúru s kapacitou 16 A
- **Neobrábajte materiál, ktorý obsahuje azbest** (azbest sa považuje za rakovinotvorný materiál)
- Prach z materiálu, ktorý je náter obsahujúci olovo, niektoré druhy dreva, minerály a kovy môže byť škodlivý (styk alebo nadýchanie prachu môže spôsobiť alergické reakcie a/alebo respiračné ochorenia obsluhy a okolostojacich osôb); **používajte ochrannú masku tváre a pracujte so zariadením na odsávanie prachu, ak je takéto zariadenie možné pripojiť**
- Určité druhy prachu sú klasifikované ako karcinogénne (akým dubový a bukový prach), a to hlavne v spojení s prísadami pre úpravu dreva; **používajte ochrannú masku tváre a pracujte so zariadením na odsávanie prachu, ak je takéto zariadenie možné pripojiť**
- Dodržujte stanovené nariadenia pre prácu v prašnom prostredí

PRED POUŽITÍM

- Vždy skontrolujte či je napájacie napätie rovnaké ako napätie uvedené na štítku nástroja
- Zabráňte poškodeniu náradia skrutkami, klincami a inými kovovými predmetmi v obrobku; zoberte ich dole prv než začnete pracovať
- **Na vyhľadanie skrytých elektrických vedení, plynových a vodovodných potrubí použite vhodné hľadacie prístroje, alebo sa spojte s príslušným dodávateľom** (kontakt s elektrickým vedením môže mať za následok vznik požiaru alebo spôsobiť zásah elektrickým prúdom; poškodenie plynového potrubia môže spôsobiť výbuch; prevrtanie vodovodného potrubia spôsobí vecné škody, alebo môže spôsobiť zásah elektrickým prúdom)
- **Zaistite obrábaný diel** (obrábaný diel uchytýny pomocou upínacích zariadení alebo vo zveráku je oveľa bezpečnejší kým v ruke)
- Nikdy nepoužívajte náradie s poškodeným káblom; kábel sa musí vymeniť za špeciálne pripravený kábel dostupný prostredníctvom servisného strediska.

PRÍSLUŠENSTVO

- SKIL zabezpečí hladký chod nástroja len ak sa používa pôvodné príslušenstvo
- Používajte iba príslušenstvo, u ktorého hodnota prípustných obrátok zodpovedá minimálne najvyšším obrátkam náradia

POČAS PRÁCE

- Elektrickú šnúru udrzte vždy mimo pohybujúcich sa častí nástroja
- Ak sa hrot vrtáka neočakávane vzpriechi (a spôsobí náhlu, neočakávanú reakciu), tak nástroj ihneď vypnite
- Uvedomte si veľkosť sil vyvolaných vzpriechením, (zvlášť pri vrtaní kovov); **vždy použite pomocnú rukoväť G** a stojte bezpečne

- V prípade elektrickej alebo mechanickej poruchy zastavte okamžite nástroj a vytiahnite zástrčku z nástennej zásuvky
- Ak je sieťová šnúra poškodená alebo ak sa prereže počas prevádzky, nedotýkajte sa jej ale ju ihneď odpojte z hlavnej elektrickej siete

PO PRÁCI

- Skôr než nástroj položíte, presvedčte sa že je motor vypnutý a že sú všetky pohyblivé súčiastky zastavené

VYSVETLENIE SYMBOLOV NA NÁSTROJI

- ③ Pred použitím si prečítajte návod na obsluhu
- ④ Dvojité izolácia (nevyžaduje sa uzemňovací kábel)
- ⑤ Nástroj nevyhadzujte do komunálneho odpadu

POUŽITIE

- Zapínanie/vypínanie ⑥
- Aretácia vypínača pri nepretržitom používaní ⑦
- Regulácia rýchlosti na hladké zapnutie ⑧
- Maximálne riadenie rýchlosti otáčok ⑨
Pomocou kolieska C je možné nastaviť rýchlosť otáčok od nízkych po vysoké
 - zapnite nástroj
 - zaistite vypínač
 - otočte koliesko C na maximálnu rýchlosť
- Mechanické prepínanie rýchlostných stupňov ⑩
 - nastavte prepínač E na požadovanú rýchlosť
 - ! s prepínačom rýchlostných stupňov manipulujte, keď sa náradie otáča pomaly**
 - 1 = POMALÁ RÝCHLOSŤ
 - vysoké momenty
 - kontrolujte veľkými priemerov
 - pre rezanie vnútorných závitov
 - 2 = VYSOKÁ RÝCHLOSŤ
 - nízke momenty
 - na vrtanie malých priemerov
- Zmena smeru otáčania ⑪
 - ak nie je správne nastavená v polohe vľavo/vpravo, spínač A ② sa nedá aktivovať
 - ! zmeňte smer otáčania len keď je nástroj úplne nečinný**
- Normálne vrtanie v porovnaní s priklepovým vrtaním ⑫
 - ! vol'te funkciu vrtania len keď je náradie vypnuté a zástrčka odpojená**
- Ako vymeniť hroty ⑬
 - vložte hrot čo najhlbšie do upínacieho vretena
 - ! nepoužívajte hroty s poškodenou stopkou**
- Nastavenie hĺbky vrtania ⑭
- Držanie a vedenie nástroja ⑮
 - **vždy použite pomocnú rukoväť G** (má sa nastaviť podľa obrázku)
 - ! počas práce vždy držte nástroj v oblasti sivého držadla(iel)**
 - vetracie štrbiny udrzte nezakryté
 - na nástroje príliš netlačte; nechajte nástroje robiť prácu za Vás

RADA NA POUŽITIE

- Používajte vhodné hroty ⑯
 - ! používajte len ostré hroty**
- Pri vrtaní do betónu alebo do kameňa sa vyžaduje stály, rovnomerný tlak na vrták
- Vrtanie železných kovov
 - keď je treba vyvrtáť väčšiu diuru, najskôr predvrtajte menšiu diuru

- natritie vrtacie hroty z času na čas olejom
- Vrtanie do dreva bez triesok 17
- Bezprachové vrtanie do tehál 18
- Bezprachové vrtanie do stropov 19
- Vrtanie do kachličiek bez šmýkania 20
- Ďalšie informácie nájdete na adrese www.skil.com

ÚDRŽBA / SERVIS

- Tento nástroj nie je vhodný pre profesionálne použitie
- Nástroj a sieťovú šnúru udržiajte stále čisté (zvlášť vetracie štrbiny H 2)
- ! **pred čistením odpojte z elektrickej siete**
- Ak by nástroj napriek starostlivej výrobe a kontrole predsa len prestal niekedy fungovať, treba dať opravu vykonať autorizovanej servisnej opravovni elektrického náradia SKIL
 - pošlite nástroj **bez rozmontovania** spolu s dôkazom o kúpe; vášmu dilerovi alebo do najbližšieho servisného strediska SKIL (zoznam adries servisných stredísk a servisný diagram nástroja sú uvedené na www.skil.com)
- Uvedomte si, že poškodenie spôsobené preťažením alebo nesprávnym zaobchádzaním bude zo záruky vylúčené (záručné podmienky spoločnosti SKIL nájdete na stránke www.skil.com alebo si ich vyžiadajte u svojho predajcu)

ŽIVOTNÉ PROSTREDIE

- **Elektrické náradie, príslušenstvo a balenia nevyhadzujte do komunálneho odpadu** (len pre štáty EÚ)
 - podľa európskej smernice 2012/19/EG o nakladaní s použitými elektrickými a elektronickými zariadeniami a zodpovedajúcich ustanovení právnych predpisov jednotlivých krajín sa použité elektrické náradie musí zbierať oddelene od ostatného odpadu a podrobiť ekologicky šetrnej recyklácii
 - pripomenie vám to symbol 5, keď ju bude treba likvidovať

HLUK / VIBRÁCIE

- Hladina akustického tlaku nameraná v súlade s normou EN 60745 je 94,2 dB(A) a hladina akustického výkonu je 105,2 dB(A) (neistota K = 3 dB) a vibrácie * (trioxový vektorový súčet; neistota K = 1,5 m/s²)
 - * pri vrtaní do kovu < 2,5 m/s²
 - * pri vrtaní do betónu s príklepom 11,1 m/s²
- Hladina emisií od vibrácií bola nameraná v súlade s normalizovaným testom uvedeným v norme EN 60745; môže sa používať na vzájomné porovnávanie náradí a na predbežné posúdenie vystavenia účinkom vibrácií pri používaní náradia pre uvedené aplikácie
 - používanie náradia na rôzne aplikácie, alebo v spojení s rôznymi alebo nedostatočne udržiavanými doplnkami môže značne **zvýšiť** úroveň vystavenia
 - časové doby počas ktorých je je náradie vypnuté alebo počas ktorých náradie beží ale v skutočnosti nevykonáva prácu môžu značne **znižit'** úroveň vystavenia
- ! **chráňte sa pred účinkami vibrácií tak, že budete náradie a jeho príslušenstvo správne udržiavať, tak že nebudete pracovať so studenými rukami a tak že si svoje pracovné postupy správne zorganizujete**

HR

Udarna bušilica

6745

UVOD

- Alat je predvíden za udarno bušenje u opeku kao i za bušenje u drvo, metal, keramiku i plastiku
- Ovaj uređaj nije namijenjen profesionalnoj upotrebi
- Pažljivo pročitajte i sačuvajte ove upute za rukovanje 3

TEHNIČKI PODACI 1

DIJELOVI ALATA 2

- A Prekidač za uključivanje/isključivanje i za kontrolu brzine
- B Gumb za blokiranje prekidača
- C Kotačić za kontrolu max. broja okretaja
- D Prekidač za promjenu smjera rotacije
- E Prekidač za biranje brzina
- F Prekidač za biranje funkcije bušenja
- G Pomoćna drška
- H Otvori za strujanje zraka

SIGURNOST

OPĆA SIGURNOSNA UPOZORENJA ZA ELEKTRIČNE ALATE

UPOZORENJE Pročitajte sva sigurnosna upozorenja, upute, ilustracije i specifikacije isporučene s ovim električnim alatom. Zbog nepridržavanja svih uputa koje su navedene u nastavku može doći do nastanka strujnog udara, požara i/ili teške ozljede.

Sva upozorenja i upute sačuvajte kao referencu za buduće upotrebe.

U daljnjem tekstu korišten pojam "električni alat" odnosi se na električne alate s priključkom na električnu mrežu (s mrežnim kablom) i na električne alate s napajanjem iz aku baterije (bez mrežnog kabela).

1) SIGURNOST NA RADNOM MJESTU

- a) **Vaše radno područje održavajte čisto i uredno.** Nered ili neosvijetljeno radno područje mogu doći do nezgoda.
- b) **S uređajem ne radite u okolini ugroženoj eksplozijom, u kojoj se nalaze zapaljive tekućine, plinovi ili prašina.** Električni alati proizvode iskre koje mogu zapaliti prašinu ili pare.
- c) **Djecu i ostale osobe držite dalje tijekom korištenja električnog alata.** Ako bi skrenuli pozornost sa posla mogli bi izgubiti kontrolu nad uređajem.

2) ELEKTRIČNA SIGURNOST

- a) **Priključni utikač uređaja treba odgovarati utičnici.** Na utikaču se ni u kojem slučaju ne smiju izvoditi izmjene. Ne koristite adapterske utikače zajedno sa uređajima koji su zaštićeni uzemljenjem. Originalni utikač i odgovarajuće utičnice smanjuju opasnost od električnog udara.
- b) **Izbjegavajte dodir tijela s uzemljenim površinama kao što su cijevi, centralno grijanje, štednjaci i**

- hladnjaci. Postoji povećana opasnost od električnog udara ako je vaše tijelo uzemljeno.
- c) **Držite uređaj dalje od kiše ili vlage.** Prodiranje vode od električni uređaj povećava opasnost od električnog udara.
 - d) **Priključni kabel ne koristite za nošenje, vješanje ili za izvođenje utikača iz utičnice. Držite kabel dalje od izvora topline, ulja, oštih rubova ili pomičnih dijelova uređaja.** Oštećen ili usukan kabel povećava opasnost od električnog udara.
 - e) **Ako s električnim uređajem radite na otvorenom, koristite samo produžni kabel odobren za uporabu na otvorenom.** Primjena produžnog kabela prikladnog za uporabu na otvorenom smanjuje opasnost od električnog udara.
 - f) **Ako se ne može izbjeći uporaba električnog alata u vlažnoj okolini, upotrijebite sigurnosna sklopka za propuštanje u zemlju.** Upotrebom sigurnosne sklopke za propuštanje u zemlju smanjuje se opasnost od električnog udara.
- 3) SIGURNOST LJUDI**
- a) **Budite oprezni, pazite što činite i postupajte razumno kod rada s električnim alatom. Ne koristite uređaj ako ste umorni ili pod utjecajem opojnih sredstava, alkohola ili lijekova.** Trenutak nepažnje kod uporabe uređaja može doći do ozbiljnih ozljeda.
 - b) **Nosite sredstva osobne zaštite i uvijek zaštitne naočale.** Nošenje sredstava osobne zaštite, kao što je zaštitna maska, sigurnosne cipele koje ne klize, zaštitne kacige ili štitnika za sluh, ovisno od vrste i primjene električnog alata, smanjuje opasnost od nezgoda.
 - c) **Izbjegavajte nehotično puštanje u rad. Prije nego što ćete utaknuti utikač u utičnicu i/ili staviti akubateriju, provjerite je li električni alat isključen.** Ako kod nošenja električnog alata imate prst na prekidaču ili se uključen uređaj priključi na električno napajanje, to može dovesti do nezgoda.
 - d) **Prije nego što uređaj uključite, uklonite alate za podešavanje ili vijčane ključeve.** Alat ili ključ koji se nalazi u rotirajućem dijelu uređaja može doći do nezgoda.
 - e) **Ne precjenjujte svoje sposobnosti. Zauzmite siguran i stabilan položaj tijela i držite u svakom trenutku ravnotežu.** Na taj način možete uređaj bolje kontrolirati u neočekivanim situacijama.
 - f) **Nosite prikladnu odjeću. Ne nosite široku odjeću ili nakit. Kosu i odjeću držite dalje od pomičnih dijelova.** Široku odjeću, dugu kosu ili nakit mogu zahvatiti pomični dijelovi.
 - g) **Ako se mogu montirati naprave za usisavanje i hvatanje prašine, provjerite da li su iste priključene i da li se pravilno koriste.** Primjena naprave za usisavanje može smanjiti ugroženost od prašine.
 - h) **Nemojte postati previše bezbrižni i zanemariti sigurnosne upute zato što alat često upotrebljavate i smatrate da ste ga dobro upoznali.** Samo jedan trenutak nepažnje dovoljan je za nastanak ozbiljnih ozljeda.
- 4) BRIŽLJIVA UPORABA ELEKTRIČNIH ALATA**
- a) **Ne preopterećujte uređaj. Koristite za vaše radove za to predviđen električni alat.** S odgovarajućim električnim alatom radit ćete bolje i sigurnije, u navedenom području učinka.

- b) **Ne koristite električni alat čiji je prekidač neispravan.** Električni alat koji se više ne može uključiti ili isključiti, opasan je i treba se popraviti.
 - c) **Alat prije podešavanja, izmjene pribora i odlaganja isključite iz izvora napajanja i/ili izvadite komplet baterije, ako se vadi iz uređaja.** Ovim mjerama opreza izbjeći će se nehotično uključivanje električnog alata.
 - d) **Nekorištene električne alate spremite izvan doseg djece. Ne dopustite da uređaj koriste osobe koje s njim nisu upoznate ili koje nisu pročitale upute za uporabu.** Električni alati su opasni ako ih koriste neiskusne osobe.
 - e) **Redovno održavajte električne alate i pribor. Kontrolirajte da li pomični dijelovi uređaja besprijekorno rade i da nisu zaglavljani, te da li su dijelovi polomljeni ili tako oštećeni da negativno djeluju na funkciju uređaja. Popravite oštećene dijelove prije uporabe uređaja.** Mnoge nezgode imaju svoj uzrok u loše održavanim uređajima.
 - f) **Rezne alate održavajte oštrim i čistim.** Pažljivo održavani rezni alati s oštrim oštricama neće se zaglaviti i lakši su za vođenje.
 - g) **Koristite električne alate, pribor, radne alate, itd., prema navedenim uputama. Pri tome uzmite u obzir radne uvjete i radove koje se izvode.** Uporaba električnih alata za neke druge primjene različite od predviđenih, može doći do opasnih situacija.
 - h) **Drške i zahvatne površine održavajte suhima, čistima i pazite da na njih ne dospiju ulje ili mast.** Skliske drške i zahvatne površine onemogućuju sigurno rukovanje i alat se teško kontrolira u neočekivanim situacijama.
- 5) SERVISIRANJE**
- a) **Popravak uređaja prepustite samo kvalificiranom stručnom osoblju i samo s originalnim rezervnim dijelovima.** Na taj će se način postići održanje stalne sigurnosti uređaja.

UPUTE ZA SIGURAN RAD S UDARNA BUŠILICAMA

- 1) SIGURNOSNE UPUTE ZA SVE RADNJE**
- a) **Nosite štitnike za uši tijekom udarnog bušenja.** Izlaganjem buci možete prouzročiti gubitak sluha.
 - b) **Upotrijebite pomoćnu dršku (pomoćne drške).** Ako izgubite nadzor, možete se ozlijediti.
 - c) **Kada izvodite neku radnju gdje rezni pribor ili pričvršćivači mogu dotaknuti skriveno ožičenje ili vlastiti kabel, pridržavajte električni alat po izoliranim zahvatnim površinama.** Rezni pribor ili pričvršćivači u kontaktu sa žicom pod naponom izložene metalne dijelove električnog alata mogu također staviti pod napon, zbog čega rukovatelj može doživjeti strujni udar.
- 2) SIGURNOSNE UPUTE PRI UPORABI SVRDLA DUGE BUŠILICE**
- a) **Nikada ne radite pri brzini većoj od najveće nazivne brzine svrdla bušilice.** Pri većim brzinama svrdlo se može saviti ako dopustite da se okreće slobodno bez doticanja izratka i tako se možete ozlijediti.
 - b) **Uvijek počnite bušiti pri maloj brzini i dok je vršak svrdla u doticaju s izratkom.** Pri većim brzinama svrdlo se može saviti ako dopustite da se okreće slobodno bez doticanja izratka i tako se možete ozlijediti.

- c) **Pritišćite samo u izravnoj liniji svrdla i ne pritišćite prejako.** Svrdla se mogu savinuti, zbog čega mogu puknuti i možete izgubiti nadzor i tako se ozlijediti.

OPĆENITO

- Uređaj ne bi smjele koristiti osobe mlađe od 16 godina
- **Prije svih radova održavanja, podešavanja ili izmjene alata i pribora treba izvući utikač iz mrežne utičnice**
- Upotrebljavajte samo neodmotane i zaštićene produžne kabele kapaciteta 16 ampera
- **Ne obrađujte materijal koji sadrži azbest** (azbest se smatra kancerogenim)
- Prašina od materijala kao što su boje koje sadrže olovo, neke vrste drveća, minerali i metal mogu biti opasne (dodir s prašinom ili njeno udisanje mogu prouzročiti alergične reakcije i/ili respiratorna oboljenja rukovatelja ili posmatrača); **nosite masku za zaštitu od prašine i radite s uređajem za ekstrakciju prašine ukoliko ga možete priključiti**
- Određene vrste prašine klasificiraju se kao karcinogenske (kao što su prašina hrastovine i bukovine), osobito u sudejstvu s aditivima za kondicioniranje drveta; **nosite masku za zaštitu od prašine i radite s uređajem za ekstrakciju prašine ukoliko ga možete priključiti**
- Nacionalni uvjeti za materijale s kojima želite raditi

PRIJE UPORABE

- Uvijek provjerite je li napon napajanja isti kao onaj naveden na tipskoj pločici uređaja
- Izbjegavajte oštećenja od vijaka, čavala i sličnih predmeta na vašem izratku; prije početka rada ih izvadite
- **Koristite prikladne uređaje za traženje napona kako bi se pronašli skriveni napojni vodovi ili se savjetujte s lokalnim distributerom** (kontakt s električnim vodovima mogao bi doći do požara i električnog udara; oštećenje plinske cijevi moglo bi dovesti do eksplozije; probijanje vodovodne cijevi uzrokuje materijalne štete ili može uzrokovati električni udar)
- **Osigurajte izradak** (izradak je sigurnije pričvršćen pomoću stezaljke ili škripa nego da ga držite rukom)
- Nikada ne upotrebljavajte alat ako je kabel oštećen; trebate ga zamijeniti posebno pripremljenim kabelom, pripremljenim u servisnoj službi.

PRIBOR

- SKIL može osigurati besprijekoran rad uređaja samo ako se koristi originalni pribor
- Upotrebljavajte pribor čija dopuštena brzina odgovara najvećoj brzini alata u praznom hodu

TIJEKOM UPORABE

- Kabel uvijek držati dalje od rotirajućih dijelova uređaja
- U slučaju neočekivanog blokiranja svrdla (uz opasnu povratnu reakciju), uređaj treba odmah isključiti
- Treba obratiti pozornost na nastale sile kod blokiranja alata (posebno kod bušenja metala); **uvijek koristite pomoćnu ručku G** i zauzeti siguran i stabilan položaj tijela
- U slučaju neuobičajenog ponašanja uređaja ili neobičnih šumova, uređaj treba odmah isključiti i izvući utikač iz mrežne utičnice
- Ako se tijekom rada priključni kabel ošteti ili odreže, ne dirati priključni kabel, nego odmah izvući mrežni utikač

NAKON UPORABE

- Čim se odmaknete od alata trebate ga isključiti, a pomični se dijelovi trebaju potpuno zaustaviti

POJAŠNJENJE SIMBOLA NA UREĐAJU

- ③ Prije upotrebe pročitajte korisnički priručnik
- ④ Dvostruka izolacija (dozemna žica nije potrebna)
- ⑤ Uređaj ne bacajte u kućni otpad

POSLUŽIVANJE

- Uključivanje/isključivanje ⑥
- Aretiranje prekidača za stalan rad ⑦
- Reguliranje broja okretaja za meko pokretanje ⑧
- Kontrola max. broja okretaja ⑨
Kotacićem C se maksimalni broj okretaja namješta od najmanjeg do najvećeg
 - uključite uređaj
 - blokirati prekidač
 - na kotaciću C prethodno odabrati max. broj okretaja
- Mehaničko biranje brzina ⑩
 - prekidač E namjestiti na željenu brzinu
- **! prekidač za biranje brzina pritisnite dok se uređaj polako okreće**
1 = MALI BROJ OKRETAJA
 - veliki zakretni moment
 - za bušenje rupa većih promjera
 - za rezanje navoja2 = VELIKI BROJ OKRETAJA
 - mali zakretni moment
 - za bušenje rupa manjih promjera
- Promjena smjera rotacije ⑪
 - ako položaj lijevo/desno nije ispravno preskočio, prekidač A ② se ne može aktivirati
- **! smjer rotacije mijenjati samo dok alat miruje**
- Normalno bušenje ili udarno bušenje ⑫
- **! funkciju bušenja birati samo kad je alat isključen i ako je izvučen mrežni utikač**
- Zamjena nastavaka ⑬
 - umetnuti nastavak što dublje u steznu glavu
- **! ne koristite nastavke s oštećenom drškom**
- Namještanje dubine bušenja ⑭
- Držanje i vođenje uređaja ⑮
 - **uvijek koristite pomoćnu ručku G** (može se podesiti kako je prikazano)
- **! alat kod primjene, držati samo na sivo označenim područjima**
 - otvore za strujanje zraka držite nepokriveno
 - ne djelujte prevelikim pritiskom na alat; ostavite alat da radi za vas

SAVJETI ZA PRIMJENU

- Treba koristiti odgovarajuće bitove ⑯
- **! koriste se samo oštri bitovi**
- Kod bušenja betona ili kamena, treba se stalnim pritiskom djelovati na svrdlo
- Kod bušenja metala
 - predbušiti manju rupu ako se buši velika rupa
 - nastavke po potrebi namazati uljem
- Bušenje u drvo bez stvaranja iveraka ⑰
- Bušenje u zid bez stvaranja prašine ⑱
- Bušenje u strop bez stvaranja prašine ⑲
- Bušenje keramičkih pločica bez klizanja vrha svrdla ⑳
- Više informacija navedeno je na mrežnom mjestu www.skil.com

ODRŽAVANJE / SERVISIRANJE

- Ovaj uređaj nije namijenjen profesionalnoj upotrebi
- Održavajte čistim uređaj i kabel (osobito otvore za hlađenje H ②)
- ! **prije čišćenja treba izvući mrežni utikač**
- Ako bi uređaj unatoč brižljivih postupaka izrade i ispitivanja ipak prestao raditi, popravak treba prepustiti ovlaštenom servisu za SKIL električne alate
 - uređaj treba **nerastavljeno** predati, zajedno s računom o kupnji u najbližu SKIL ugovornu servisnu radionicu (popise servisa, kao i oznake rezervnih dijelova uređaja možete naći na adresi www.skil.com)
- Imajte na umu kako jamstvo ne obuhvaća štete nastale zbog preopterećenja ili nepravilnog rukovanja alatom (za uvjete iz SKIL jamstva, posjetite www.skil.com ili upitajte svog prodavača)

ZAŠTITA OKOLIŠA

- **Električne alate, pribor i ambalažu ne bacajte u kućni otpad** (samo za EU-države)
 - prema Europskoj direktivi 2012/19/EG o staroj električnoj i elektroničkoj opremi i njenoj primjeni u skladu sa nacionalnim zakonom, istrošeni električni alati moraju se sakupljati odvojeno i odvesti u posebne pogone za reciklažu
 - na to podsjeća simbol ⑤ kada se javi potreba za odlaganjem

BUKA / VIBRACIJA

- Mjerene u skladu s normom EN 60745, razina zvučnog tlaka ovoga alata je 94,2 dB(A), razina zvučne snage 105,2 dB(A) (nesigurnost K = 3 dB), a vibracija * (troaksijalna vektorska suma; nesigurnost K = 1,5 m/s²)
 - * kod bušenja u metalu < 2,5 m/s²
 - * kod udarnog bušenja u betonu 11,1 m/s²
- Razina emitiranja vibracija izmjerena je sukladno normiranom testu danom u EN 60745; ona se može koristiti za usporedbu jedne alatke s drugom, te preliminarnu procjenu izloženosti vibracijama pri uporabi alatke za navedene namjene
 - uporaba ove alatke za druge namjene ili s drugim ili slabo održavanim nastavcima, može u značajnoj mjeri **uvećati** razinu izloženosti
 - vrijeme tokom kojega je alatka isključena, ili je uključena ali se njome ne radi, može značajno **umanjiti** razinu izloženosti
- ! **zaštite se od posljedica vibracija održavanjem alatke i njezinih nastavaka, održavanjem Vaših ruku toplima, te organiziranjem Vaših obrazaca rada**

SRB

Vibraciona bušilica

6745

UPUTSTVO

- Alat je namenjen bušenju sa udarcima cigle kao i bušenju drveta, metala, keramike i plastike
- Ovaj alat nije namenjen za profesionalnu upotrebu
- Pažljivo pročitajte i sačuvajte ova uputstva za rukovanje ③

TEHNIČKI PODACI ①

ELEMENTI ALATA ②

- A Prekidač za uključivanje/isključivanje i kontrolu brzine
- B Dugme za učvršćivanje prekidača
- C Točak za kontrolu maksimalne brzine
- D Prekidač za promenu smera rotacije
- E Prekidač za biranje brzine
- F Prekidač za biranje funkcije za bušenje
- G Pomoćna ručica
- H Prerezi za hlađenje

SIGURNOST

OPŠTA SIGURNOSNA UPOZORENJA ZA ELEKTRIČNI ALAT

UPOZORENJE Pročitajte sva bezbednosna upozorenja, uputstva, ilustracije i specifikacije priložene uz ovaj električni alat. Ukoliko se ne slede sva uputstva navedena u nastavku može doći do strujnog udara, požara i/ili ozbiljne povrede.

Sačuvajte sva upozorenja i uputstva za buduću upotrebu.

Pojam upotrebljen u upozorenjima "električni alat" odnosi se na električne alate sa radom na mreži (sa mrežnim kablom) i na električne alate sa radom na akumulator (bez mrežnog kabla).

1) SIGURNOST NA RADNOM MESTU

- Držite Vaše područje rada čisto i pospremljeno.** Nered ili neosvetljena radna područja mogu voditi nesrećama.
- Ne koristite električni alat tamo gde postoji opasnost od eksplozije kao npr. u prisustvu zapaljivih tečnosti, gasova ili prašine.** Električni alati proizvode varnice, koje mogu zapaliti prašinu ili isparenja.
- Za vreme korišćenja električnog alata držite podalje decu i druge osobe.** Kod skretanja možete izgubiti kontrolu nad alatom.

2) ELEKTRIČNA SIGURNOST

- Utikač električnog alata mora odgovarati utičnici. Nikada nemojte modifikovati utikač. Ne upotrebljavajte adaptere utikača sa uzemljenim električnim alatom.** Nemodifikovani utikači i odgovarajuće utičnice smanjuju rizik od električnog udara.
- Izbegavajte telesni kontakt sa uzemljenim gornjim površinama, kao što su cevi, grejanja, šporeti i rashladni ormani.** Postoji povećani rizik od električnog udara, ako je Vaše telo uzemljeno.
- Ne izlažite električni alat kiši ili vlažnim uslovima.** Prodor vode u električni alat povećava rizik od električnog udara.
- Ne zloupotrebljavajte kabl. Nikada nemojte koristiti kabl za nošenje i vučenje električnog alata ili za izvlačenje iz utičnice. Držite kabl dalje od vreline, ulja, oštih ivica ili pokretnih delova.** Oštećeni ili mrušeni kablovi povećavaju rizik električnog udara.
- Ako sa nekim električnim alatom radite u prirodi, upotrebljavajte samo produžne kablove koji su dozvoljeni za spoljno područje.** Upotreba produžnog kabla pogodnog za spoljno područje smanjuje rizik od električnog udara.

- f) **Ako rad električnog alata ne može da se izbegne u vlažnoj okolini, koristite prekidač strujne zaštite pri kvaru.** Upotreba prekidača strujne zaštite pri kvaru smanjuje rizik od električnog udara.
- 3) SIGURNOST OSOBA**
- a) **Budite oprezni, pazite na to šta radite i razumno rukujte Vašim električnim alatom. Ne koristite električni alat dok ste umorni ili pod uticajem narkotika, alkohola ili lekova.** Momenat nepažnje kod upotrebe električnog alata može rezultirati ozbiljnim povredama.
- b) **Nosite ličnu zaštitnu opremu i uvek zaštitne naočare.** Nošenje lične zaštitne opreme, kao maske za prašinu, sigurnosne cipele koje ne klizaju, zaštitni šlem ili zaštitu za sluh, zavisno od vrste i upotrebe električnog alata, smanjujete rizik od povreda.
- c) **Sprečite nenamerno puštanje u rad. Pre priključivanja na struju i/ili na akumulatorsku bateriju, podizanja ili nošenja alata uverite se da je prekidač isključen.** Nošenje električnog alata sa prstom na prekidaču ili priključivanje na struju uključeno električnog alata vodi do nesreće.
- d) **Uklonite bilo kakve ključeve za podešavanje ili ključeve za zavrtnjeve, pre nego što uključite električni alat.** Ostavljanje ključa za zavrtnjeve ili ključa prikačene na rotirajući deo električnog alata može rezultirati ličnom povredom.
- e) **Ne zauzimajte neadekvatan položaj. Sve vreme držite ravnotežu i pravilan položaj nogu.** Ovo omogućava bolje upravljanje električnim alatom u neočekivanim situacijama.
- f) **Nosite pogodno odelo. Ne nosite široko odelo ili nakit. Držite kosu i odeću dalje od pokretnih delova.** Opušteno odelo, nakit ili duža kosa mogu biti zahvaćeni od rotirajućih delova.
- g) **Ako se mogu montirati uredjaji za usisavanje prašine i uredjaji za hvatanje prašine, uverite se da li su priključeni i ispravno koriste.** Upotreba usisavanja prašine može smanjiti opasnosti od prašine.
- h) **Ne dozvolite da pouzdanje koje ste stekli čestom upotrebom alata utiče na to da postanete neoprezni i da zanemarite sigurnosne principe za upotrebu alata.** Neoprezno delovanje može prouzrokovati teške povrede u deliću sekunde.
- 4) BRIŽLJIVO OPHODJENJE I KORIŠĆENJE ELEKTRIČNIH ALATA**
- a) **Ne preopterećujte električni alat. Koristite električni alat koji odgovara Vašoj primeni.** Sa odgovarajućim električnim alatom radite bolje i sigurnije tempom za koji je projektovan.
- b) **Ne upotrebljavajte električni alat, čiji je prekidač u kvaru.** Električni alat koji više ne može da se uključi ili isključi je opasan i mora da se popravi.
- c) **Izvučite utikač iz utičnice i/ili izvadite akumulatorsku bateriju, ukoliko je to moguće, iz električnog alata pre nego što izvršite bilo kakva podešavanja, promenu pribora ili pre nego što uskladištite električni alat.** Takve preventivne sigurnosne mere smanjuju rizik od slučajnog pokretanja električnog alata.
- d) **Čuvajte električne alate koje ne koristite izvan domašaja dece i ne dozvoljavajte osobama, koje nisu upoznate sa ovim električnim alatom ili sa ovim uputstvima, da rukuju električnim alatom.** U rukama neobučenih korisnika električni alati postaju opasni.
- e) **Održavajte električni alat i pribore. Proverite da li su pokretni delovi u ravni i da li negde zapinju, da nije došlo do lomljenja delova i svako drugo stanje koje može uticati na rad električnog alata. Ukoliko je oštećen, odnesite električni alat na popravku pre korišćenja.** Mnoge nesreće su prouzrokovane lošim održavanjem električnih alata.
- f) **Držite alate za sečenja oštre i čiste.** Brižljivo negovani alati za sečenje sa oštrim sečivima manje splepljuju i lakše se vode.
- g) **Upotrebljavajte električne alate, pribor, alate koji se umeću itd. prema ovim uputstvima. Obratite pažnju pritom na uputstva za rad i posao koji treba izvesti.** Upotreba električnih alata za druge od propisanih namena može voditi opasnim situacijama.
- h) **Održavajte drške i prihvatne površine suvim, čistim i bez ostataka ulja ili masnoće.** Klizave drške ili prihvatne površine ne omogućavaju bezbedno rukovanje i upravljanje alatom u neočekivanim situacijama.
- 5) SERVISIRANJE**
- a) **Vaš električni alat dajte na servisiranje samo kvalifikovanom licu za popravku, koristeći pritom samo identične rezervne delove.** Ovo će osigurati očuvanje bezbednosti električnog alata.

SIGURNOSNA UPUTSTVA ZA VIBRACIONE BUŠILICE

1) BEZBEDNOSNA UPUTSTVA ZA SVE OPERACIJE

- a) **Pri radu sa vibracionim bušilicama nosite zaštitu za uši.** Izlaganje tim zvukovima i buci može voditi ka trajnim oštećenjima sluha.
- b) **Koristite pomoćnu ručicu(e).** Gubitak kontrole može dovesti do fizičke povrede.
- c) **Hvatajte električni alat isključivo za izolovane hvataljke, ako izvodite radove, kada pribor za sečenje ili sredstva za pričvršćivanje mogu dodirnuti skrivene električne vodove.** Pribor za sečenje ili sredstva za pričvršćivanje koja dođu u kontakt sa vodom koji provodi napon stavlja i metalne delove električnog alata pod napon, usled čega rukovalac može doživeti električni udar.

2) BEZBEDNOSNA UPUTSTVA KADA SE KORISTE DUGA SVRDLA ZA BUŠENJE

- a) **Nikada nemojte rukovati pri većoj brzini od označene maksimalne brzine svrdla za bušenje.** Pri većim brzinama postoji veća verovatnoća savijanja svrdla ako se dozvoli da slobodno okreće bez kontakta sa materijalom za obradu, što dovodi do fizičke povrede.
- b) **Bušenje uvek započinite pri manjoj brzini i sa vrhom svrdla koje je u kontaktu sa materijalom za obradu.** Pri većim brzinama postoji veća verovatnoća savijanja svrdla ako se dozvoli da slobodno okreće bez kontakta sa materijalom za obradu, što dovodi do fizičke povrede.
- c) **Pritisnite samo u direktnoj liniji sa svrdlom i nemojte previše pritiskati.** Svrdla mogu da se saviju i dovedu do loma ili gubitka kontrole, što dovodi do fizičke povrede.

OPŠTA

- Ovaj alat ne treba da koriste osobe ispod 16 godina
- **Obavezno iskopčajte alat iz električne utičnice pre nego što izvršite bilo kakva podešavanja ili zamenu pribora**
- Proizudni kabl koji koristite mora da bude sasvim odmotan i siguran, sa kapacitetom od 16 A

- **Ne obradjujte nikakav materijal koji sadrži azbest** (azbest važi kao izazivač raka)
- Prašina od materijala, kao što su boja koja sadrži olovo, neke vrste drveta, minerali i metal, može biti opasna (dodir ili udisanje prašine može prouzrokovati alergijske reakcije i/ili respiratorna oboljenja rukovaoaca i lica u blizini); **nosite masku protiv prašine i radite uz uključeni uređaj za ekstrakciju prašine kada radite na mestima gde ju je moguće priključiti**
- Određene vrste prašine su klasifikovane kao kancerogene (kao što su prašina hrastovine i bukovine), posebno u sadejstvu sa aditivima za pripremu drveta; **nosite masku protiv prašine i radite uz uključeni uređaj za ekstrakciju prašine kada radite na mestima gde ju je moguće priključiti**
- Prati nacionalne propise vezane za prašinu koja se proizvodi prilikom rada na obrađivanim materijalima

PRE UPOTREBE

- Uvek se uverite da je napon struje isti kao i napon naveden na pločici sa nazivom alatu
- Izbegavajte oštećenja od šrafova, eksera i drugih predmeta na vašem području rada; uklonite ih pre nego što započnete rad
- **Koristite odgovarajuće aparate za proveru dali se u zidu koji bušimo nalaze skrivene instalacije, ili za taj posao nađite odgovarajuće preduzeće** (kontakt sa električnim vodovima može izazvati požar ili električni udar; oštećenje gasovoda može izazvati eksploziju; probijanje cevi sa vodom uzrokuje štete ili može izazvati električni udar)
- **Obezbedite radni predmet** (radni predmet stegnut pomoću stega ili nečeg sličnog je mnogo stabilniji nego kada se drži rukom)
- Nikada nemojte koristiti alat kada je kabl oštećen; on mora da se zameni posebnim kablom koji je dostupan u servisnoj organizaciji.

PRIBOR

- SKIL može priznati garanciju samo ukoliko je korišćen originalni pribor
- Koristite samo pribor čija je dozvoljena brzina u najmanju ruku jednaka najvećoj brzini pri praznom hodu električnog alata

TOKOM UPOTREBE

- Kabl uvek držite podalje od pokretnih delova alata
- U slučaju iznenadne blokade burgije stvaranja povratnih sila pri alatu, alat odmah treba isključiti
- Obratite pažnju na nastale sile pri alatu tokom blokade (posebno pri bušenju metala); **alat uvek držati samo za bočnu dršku G** i zauzeti siguran stav
- U slučaju da dođe do električnog ili mehaničkog kvara, odmah isključite alat i iskopčajte ga iz utičnice
- Ako se kabl ošteti ili preseče u toku rada, odmah ga iskopčajte i nemojte ga dodirivati

NAKON UPOTREBE

- Kada završite rad sa alatom, isključite motor i proverite da li su se zaustavili svi pokretni delovi

OBJAŠNJENJE SIMBOLA NA ALATU

- ③ Pročitajte uputstvo za korišćenje pre prve upotrebe
- ④ Dvostruka izolacija (nije potrebna žica za uzemljenje)
- ⑤ Alat ne odlađa u kućne otpatke

UPUTSTVO ZA KORIŠĆENJE

- Uključivanje/isključivanje ⑥
- Učvršćivanje prekidača za stalno bušenje ⑦
- Zakočenje prekidača za lagani start ⑧

- Kontrola maksimalne brzine ⑨
Točkom C možete podesiti maksimalnu brzinu od niskog do visokog stepena
- uključite alat
- učvrstite prekidač
- na točku C podesiti maksimalnu brzinu
- Mehaničko biranje brzina ⑩
- podesiti prekidač E na dozvoljenu brzinu
! aktivirajte prekidač za biranje brzina dok alat radi niskom brzinom
1 = MALA BRZINA
- visoki obrtni momenat
- za bušenje velikih prečnika
- za uvrtnje navoja
2 = VISOKA BRZINA
- niski obrtni momenat
- za bušenje malih prečnika
- Izmena smera rotacije ⑪
- ako leva/desna pozicija ne ulegnu kako treba, prekidač A ② neće moći biti strtovan
! smer rotacije menjati samo kada alat potpuno miruje
- Normalno bušenje ili bušenje sa udarcima ⑫
! birati funkciju za bušenje samo kada je alatka isključena i utikač iskopčan
- Izmena bitseva ⑬
- stavite bit što je moguće dublje u futer bušilice
! ne koristite bitseve sa oštećenim prihvatom
- Podešavanje dubine bušenja ⑭
- Držanje i upravljanje alata ⑮
! alat uvek držati samo za bočnu dršku G (može se podešavati kao na crtežu)
! dok radite, uvek držite alat za mesto(a) koje(a) su označena sivom bojom
- držite proreze za hlađenje otvorene
- ne pritiskati alat previše; pustite da alat sam radi

SAVETI ZA PRIMENU


- Koristiti odgovarajuće bitseve ⑯
! koristiti samo oštre bitseve
- Pri bušenju betona i kamena treba vršiti ravnomeran pritisak na burgiju
- Pri bušenju metala
- prvo izbušiti malu rupu ako Vam je potrebna veća rupa
- bitseve povremeno namazati uljem
- Bušenje drveta bez listanja ⑰
- Bušenje zidova bez prašine ⑱
- Bušenje plafona bez prašine ⑲
- Bušenje pločica bez proklizavanja ⑳
- Za više informacija pogledajte www.skil.com

ODRŽAVANJE / SERVIS

- Ovaj alat nije namenjen za profesionalnu upotrebu
- Alat i kabl uvek održavajte čistim (posebno otvore za hlađenje H ②)
! pre čišćenja iskopčajte kabl iz utičnice
- Ako bi alat i pored brižljivog postupka izrade i kontrole nekada otkazao, popravku mora vršiti neki autorizovani servis za SKIL-električne alate
- pošaljite **nerastavljeni** alat zajedno sa potvrdom o kupovini vašem nabavljaču ili najbližem SKIL servisu (adrese i oznake rezervnih delova možete naći na www.skil.com)

- Imajte na umu da za oštećenja nastala usled preopterećivanja ili nepravilnog rukovanja neće važiti garancija (za uslove SKIL garancije posetite www.skil.com ili pitajte svog prodavca)

ZAŠTITA OKOLINE

- **Električne alate, pribora i ambalaže ne odlažite u kućne otpatke** (samo za EU-države)
 - prema Europskoj direktivi 2012/19/EG o staroj električnoj i elektronskoj opremi i njenoj upotrebi u skladu sa nacionalnim pravom, električni alati koji su istrošeni moraju biti sakupljeni odvojeno i dostavljeni pogonu za reciklažu
 - simbol  će vas podsetiti na to

BUKA / VIBRACIJE


- Izmeren u skladu sa standardom EN 60745 nivo pritiska zvuka ovog alata je 94,2 dB(A) a nivo jačine zvuka 105,2 dB(A) (neizvesnost K = 3 dB), i vibracija * (troosni vektorski zbir; neizvesnost K = 1,5 m/s²)
 - * pri bušenju metala < 2,5 m/s²
 - * pri udarnom bušenju betona 11,1 m/s²
 - Nivo emisije vibracija izmeren je u skladu sa standardizovanim testom datim u EN 60745; on se može koristiti za upoređenje jedne alatke sa drugom, kao i za preliminarnu procenu izloženosti vibracijama pri korišćenju ove alatke za pomenute namene
 - korišćenje alatke u drugačije svrhe ili sa drugačijim ili slabo održavanim nastavcima može značajno **povećati** nivo izloženosti
 - vreme kada je alatka isključena ili kada je uključena, ali se njome ne radi, može značajno **smanjiti** nivo izloženosti
- ! zaštitite se od posledica vibracija održavanjem alatke i njenih nastavaka, održavajući Vaše ruke toplim i organizovanjem Vaših radnih obrazaca**

(SLO)

Vibracijski vrtalnik

6745

UVOD

- To orodje je namenjeno za udarno vrtnje u opeko kot tudi vrtnju v les, kovino, keramiko in plastiko
- Orodje ni namenjeno profesionalni uporabi
- Preberite in shranite navodila za uporabo 

TEHNIČNI PODATKI

DELI ORODJA

- A** Vklonno/izklonno stikalo in za nadzor hitrosti
- B** Gumb za blokiranje stikala
- C** Kolo za nastavitvev maksimalne hitrosti
- D** Stikalo za preklon smeri vrtnja
- E** Stikalo za izbiro stopnje
- F** Stikalo za izbiro načina vrtnja
- G** Pomožna ročka
- H** Ventilacijske reže

VARNOST

SPLOŠNA VARNOSTNA OPOZORILA ZA ELEKTRIČNA ORODJA

⚠ OPOZORILO Preberite vsa varnostna opozorila, navodila in tehnične podatke ter si oglejte slike, ki so priloženi temu električnemu orodju. Neupoštevanje spodaj navedenih navodil se lahko odrazi v električnem udaru, požaru in/ali hudih poškodbah.

Vsa opozorila in navodila shranite, saj jih boste v prihodnosti morda potrebovali.

Pojem "električno orodje", ki se pojavlja v nadaljnjem besedilu, se nanaša na električna orodja z električnim pogonom (z električnim kablom) in na akumulatorska električna orodja (brez električnega kabla).

1) VARNOST NA DELOVNEM MESTU

- a) **Poskrbite, da bo Vaše delovno mesto vedno čisto in urejeno.** Nered ali neosvetljena delovna področja lahko povzročijo nezgode.
- b) **Prosimo, da orodja ne uporabljate v okolju, kjer je nevarnost za eksplozije in v katerem se nahajajo gorljive tekočine, plini in prah.** Električna orodja povzročajo iskrenje, zato se gorljivi prah ali pare lahko vnamejo.
- c) **Ne dovolite otrokom in drugim osebam, da bi se medtem ko delate, približali električnemu orodju.** Druge osebe lahko odvrnejo Vašo pozornost drugam in izgubili boste nadzor nad orodje.

2) ELEKTRIČNA VARNOST

- a) **Vtič mora ustrezati električni vtičnici in ga pod nobenim pogojem ne smete spreminjati.** Uporaba adapterskih vtičev v kombinaciji z ozemljena orodja ni dovoljena. Originalni oziroma nespremenjeni vtiči in ustrezne vtičnice zmanjšujejo tveganje električnega udara.
 - b) **Izogibajte se telesnemu stiku z ozemljenimi površinami, na primer s cevmi, grelci, štedilniki in hladilniki.** Če je ozemljeno tudi vaše telo, obstaja povečano tveganje električnega udara.
 - c) **Zavarujte orodje pred dežjem ali vlago.** Vdor vode v električno orodje povečuje tveganje električnega udara.
 - d) **Električnega kabla ne uporabljajte za prenašanje ali obežanje orodja in ne vlecite vtič iz vtičnice tako, da vlečete za kabel.** Zavarujte kabel pred vročino, oljem, ostrimi robovi in premikajočimi se deli orodja. Poškodovani ali prepleteni kabli povečujejo tveganje električnega udara.
 - e) **Če z električnim orodjem delate na prostem, uporabljajte izključno kabelski podaljšek, ki je atestiran za delo na prostem.** Uporaba kabelskega podaljška, primerne za delo na prostem, zmanjšuje tveganje električnega udara.
 - f) **Če je uporaba električnega orodja v vlažnem okolju neizogibna, uporabljajte prekinjevalec električnega tokokroga.** Prekinjevalca električnega tokokroga zmanjšuje tveganje električnega udara.
- #### 3) OSEBNA VARNOST
- a) **Bodite zbrani in pazite, kaj delate. Dela z električnim orodjem se lotite razumno. Nikoli ne uporabljajte**

- orodja, če ste utrujeni in če ste pod vplivom mamil, alkohola ali zdravil. En sam trenutek nepazljivosti pri uporabi orodja ima lahko za posledico resne telesne poškodbe.
- b) **Uporabljajte osebna zaščitna sredstva in vedno nosite zaščitna očala.** Uporaba osebnih zaščitnih sredstev, na primer maske proti prahu, nedrsečih zaščitnih čevljev, zaščitne čelade in glušnikov, odvisno od vrste in uporabe električnega orodja, zmanjšuje tveganje telesnih poškodb.
 - c) **Izogibajte se nenamernemu zagonu. Pred priključitvijo električnega orodja na električno omrežje in/ali na akumulator in pred dviganjem ali nošenjem se prepričajte, če je električno orodje izklopljeno.** Prenašanje naprave s prstom na stikalo ali priključitev vklopljenega električnega orodja na električno omrežje je lahko vzrok za nezgodo.
 - d) **Pred vklopom orodja odstranite z nje nastavitvena orodja ali vijačni ključ.** Orodje ali ključ, ki se nahajata na vrtečem se delu električnega orodja, lahko povzročita nezgodo.
 - e) **Ne precenjujte se in poskrbite za varno stojišče in stalno ravnotežje.** Tako boste lahko v nepričakovani situaciji bolje obvladali orodje.
 - f) **Oblecite se primerno. Ne nosite ohlapnih oblačil ali nakita. Las in oblačil ne približujte premikajočim se delom.** Ohlapna oblačila, nakit ali dolgi lasje se lahko ujamejo v premikajoče se dele.
 - g) **Če je možno na orodje namestiti priprave za odsesavanje in prestrežanje prahu, prepričajte se, ali so le-te priključene in, če jih pravilno uporabljate.** Uporaba priprave za odsesavanje prahu zmanjšuje zdravstveno ogroženost zaradi prahu.
 - h) **Naj seznanjenost z orodjem, ki jo pridobite s pogosto uporabo, ne bo razlog za to, da postanete lahkomišeln in ignorirate varnostna načela.** V deličku sekunde lahko nepozorno dejanje pripelje do hude poškodbe.
- 4) RAVNANJE IN NEGA ROČNEGA ORODJA**
- a) **Ne preobremenjujte orodja. Za določeno delo uporabljajte električno orodje, ki je predvideno za opravljanje tega dela.** Z ustreznim električnim orodjem boste delo opravili bolje in varneje, ker je bilo v ta namen tudi konstruirano.
 - b) **Električno orodje, ki ima pokvarjeno stikalo, ne uporabljajte.** Električno orodje, ki ga ni možno vklopiti ali izklopiti, je nevarno in ga je potrebno popraviti.
 - c) **Izvelcite vtič iz vtičnice in/ali odstranite akumulatorsko baterijo, če jo je mogoče izzeti, še preden orodje popravljate, menjujete pribor ali ga shranite.** Ti preventivni varnostni ukrepi zmanjšajo tveganje za nenamenski zagon orodja.
 - d) **Kadar orodja ne uporabljate ga shranjujte izven dosega otrok.** Osebam, ki orodja ne poznajo ali niso prebrale teh navodil, orodja ne dovolite uporabljati. Električna orodja so nevarna, če jih uporabljajo neizkušene osebe.
 - e) **Vzdružujte električna orodja in pribor. Preverite, če premikajoči se deli orodja delujejo brezhibno in če se ne zatikajo, oziroma, če kakšen del orodja ni zlomljen ali poškodovan do te mere, da bi oviral njegovo delovanje. Pred nadaljnjo uporabo je potrebno poškodovani del popraviti.** Vzrok za številne

- nezgode so ravno slabo vzdrževana električna orodja.
- f) **Rezalna orodja naj bodo ostra in čista.** Skrbno negovana rezalna orodja z ostrimi rezili se manj zatikajo in so bolj vodljiva.
 - g) **Električna orodja, pribor, nastavke in podobno uporabljajte v skladu s temi navodili. Pri tem upoštevajte delovne pogoje in vrsto dela, ki ga nameravate opraviti.** Zaradi uporabe električnega orodja v druge, nepredvidene namene, lahko nastanejo nevarne situacije.
 - h) **Ročaji in površine za prijemanje naj bodo suhe, čiste in brez olja ali maščobe.** Gladki ročaji in površine za prijemanje ne omogočajo varne uporabe in nadzora orodja v nepričakovanih situacijah.
- 5) SERVISIRANJE**
- a) **Popravilo orodja lahko opravi samo usposobljena strokovna oseba in to izključno z originalnimi nadomestnimi deli.** Le tako bo ohranjena nadaljnja varnost orodja.

VARNOSTNA NAVODILA ZA VIBRACIJSKE VRTALNIKE

1) VARNOSTNA NAVODILA ZA VSE POSTOPKE

- a) **Pri udarnem vrtenju nosite zaščito sluha.** Izpostavljanje hrupu lahko povzroči izgubo sluha.
- b) **Uporabljajte pomožne ročaje.** Zaradi izgube nadzora lahko pride do telesnih poškodb.
- c) **Če izvajate dela, pri katerih bi se lahko z orodjem za rezanje ali pritrdilnimi elementi dotaknili skrite omrežne napeljave ali kabla orodja, držite električno orodje samo za izolirane ročaje.** Stik orodja za rezanje ali pritrdilnih elementov z napeljavo, ki je pod napetostjo, lahko povzroči, da so tudi kovinski deli orodja pod napetostjo, kar lahko povzroči električni udar za upravljalca.

2) VARNOSTNA NAVODILA ZA UPORABO DOLGIH SVEDROV

- a) **Nikoli ne prekažite največje nazivne hitrosti, določene za sveder.** Pri višjih hitrostih obstaja večja verjetnost, da se sveder upogne, če se lahko prosto vrti, ne da bi se dotaknil obdelovanca, in tako povzroči telesne poškodbe.
- b) **Vedno začnite vrtati pri nizki hitrosti, konica svedra pa naj se dotika obdelovanca.** Pri višjih hitrostih obstaja večja verjetnost, da se sveder upogne, če se lahko prosto vrti, ne da bi se dotaknil obdelovanca, in tako povzroči telesne poškodbe.
- c) **Na obdelovanec pritiskajte samo v neposredni liniji s svedrom, vendar pa ne pritiskajte premočno na obdelovanec.** Svedri se lahko upognejo in se zlomijo ali povzročijo izgubo nadzora ter s tem tudi telesne poškodbe.

SPLOŠNO

- Orodja naj ne bi uporabljale osebe mlajše od 16 let
- **Vedno izvelcite električni vtič iz vtičnice preden spreminjate nastavitve ali menjate pribor**
- Uporabljajte povsem iztegnjene in varne električne podaljške, z jakostjo 16 amperov
- **Ne obdelujte materiala, ki vsebuje azbest** (azbest povzroča rakasta obolenja)
- Prah materialov, kot so barve, ki vsebujejo svinec, nekatere vrste lesa, mineralov ali kovin so lahko škodljivi (ob stiku ali vdihavanju lahko prah pri delavcu ali pri

drugih prisotnih povzročijo alergijsko reakcijo in/ali bolezni dihal); **nosite masko za prah in pri delu uporabljajte napravo za odsesavanje prahu, kjer je le-to možno priključiti**

- Nekatero vrsto prahu so klasificirane kot kancerogene (kot npr. prah hrasta in bukve) še posebno ob sočasni uporabi z dodatki za obdelavo lesa; **nosite masko za prah in pri delu uporabljajte napravo za odsesavanje prahu, kjer je le-to možno priključiti**
- Upoštevajte nacionalne zahteve glede prahu za materiale katere želite obdelovati

PRED UPORABO

- Vedno preverite, če je napetost omrežja enaka napetosti, ki je navedena na tablici orodja
- Izogibajte se poškodb zaradi vijakov, žebeljev ali drugih elementov v obdelovancu; odstranite jih pred začetkom dela
- **Za iskanje skritih električnih, plinskih in vodovodnih cevi uporabite primerne iskalne naprave (detektorje) ali se posvetujte z lokalnimi podjetji** (stik z električnimi vodniki lahko povzroči požar ali električni udar; poškodbe plinovoda lahko povzročijo eksplozijo, vder v vodovodno omrežje pa materialno škodo ali električni udar)
- **Zavarujte obdelovanec** (obdelovanec stisnjen v prižemi ali prirežu je bolj varen kot v roki)
- Orodja ne smete nikoli uporabljati s poškodovanim kablom. Kabel morate zamenjati s posebej pripravljenim kablom, ki je na voljo pri servisnem podjetju.

PRIBOR

- SKIL zagotavlja brezhibno delovanje orodja le z uporabo originalnega dodatnega pribora
- Uporabljajte lahko dodatni pribor, katerega dovoljena hitrost je najmanj enaka največji hitrosti orodja

MED UPORABO

- Kabel naj bo vedno odmaknjen od gibljivih delov stroja
- Če se sveder pri vrtnanju nepričakovano zagodzi (zaradi nenadnih, nevarnih pritiskov), takoj izključite orodje
- Pazite na nenadne sile, ki nastanejo zaradi blokiranja pri vrtnanju (posebno pri vrtnanju v kovino); **vedno uporabljajte stranski ročaj G** in si zagotovite stabilno in varno pozicijo
- Če pride do električnih ali mehanskih okvar, takoj izklopite stroj in izvlecite vtičak iz vtičnice
- Če je priključni kabel poškodovan ali se med delom pretрга se ga ne dotikajte, temveč takoj potegnite električni vtičak iz vtičnice

PO UPORABI

- Ko orodje postavite v stran, izklopite motor in pazite, da se vsi premikajoči se deli orodja popolnoma zaustavijo

POJASNILNO OZNAK NA ORODJU

- ③ Pred uporabo preberite navodila za uporabo
- ④ Dvojna izolacija (ozemljitveni kabel ni potreben)
- ⑤ Orodja ne odstranjujte s hišnimi odpadki

UPORABA

- Vkllop/Izklop ⑥
- Aretacija stikala ⑦
- Nastavitev števila vrtljajev za nežnejši start vrtljavnika ⑧
- Nastavitev maksimalne hitrosti ⑨
Z gumbom C se lahko maksimalna hitrost nastavlja od nizke do visoke
 - vklopite orodje
 - aretirajte stikalo
 - vrtite gumb C in izberite maksimalno hitrost

- Mehanska izbira stopnje ⑩
 - nastavite stikalo E na zeleno hitrost
 - ! stikalo za izbiro stopnje pritiskajte medtem, ko se orodje vrti počasi**
 - 1 = MAJHNA HITROST
 - večji moment
 - za vrtnanje večjih premerov
 - za vrezovanje navojev
 - 2 = VEČJA HITROST
 - nižji moment
 - za vrtnanje manjših premerov
- Menjava smeri vrtenja ⑪
 - v primeru, da preklonik smeri vrtenja ni v pravilnem položaju ni možno vklopiti stikala A ②
 - ! preklon smeri vrtenja izvesti le pri popolnoma mirujočem orodju**
- Normalno vrtnanje ali vibracijsko vrtnanje ⑫
 - ! način delovanja izberite le pri izključenem orodju in ko je vtičak izključen**
- Menjava nastavkov ⑬
 - steblo nastavek potisnite kot je le mogoče globoko v vrtalno glavo vrtlavnika
 - ! ne uporabljajte nastavke s poškodovanim stebлом**
- Nastavitev globine vrtenja ⑭
- Držanje in vodenje orodja ⑮
 - **vedno uporabljajte stranski ročaj G** (nastavljiv, kot je ilustriirano)
 - ! med delom vedno držite orodje za sivo obarvano mesto oprijema**
 - ventilacijske reže morajo biti nepokrite
 - ne pritiskajte na orodje premočno; pustite da orodje sam opravi delo

UPORABNI NASVETI

- Uporabljajte ustrezne nastavke ⑯
 - ! vedno uporabljajte ostre nastavke**
- Pri vrtnanju v beton ali kamen je potreben enakomeren pritisk na vrtalnik
- Pri vrtnanju v kovine
 - naprej izvrtajte manjšo luknjo, šele nato večjo
 - sveder občasno naoljite
- Vrtnanje v les brez odlomljenih kosčkov ⑰
- Vrtnanje v stene z zaščito proti prahu ⑱
- Vrtnanje v strop z zaščito proti prahu ⑲
- Vrtnanje v ploščice brez spodsavanja ⑳
- Za več informacij obiščite spletno stran www.skil.com

VZDRŽEVANJE/SERVISIRANJE

- Orodje ni namenjeno profesionalni uporabi
- Priključni kabel in orodje naj bosta vedno čista (posebej še prezračevalne odprtine H ②)
 - ! izvlecite vtičak iz vtičnice pred čiščenjem**
- Če bi kljub skrbnim postopkom izdelave in preizkušanja prišlo do izpada delovanja orodja, naj popravilo opravi servisna delavnica, pooblaščenca za popravila SKILevih električnih orodij
 - pošljite **nerazstavljeno** orodje skupaj s potrdilom o nakupu pri vašemu prodajalcu v najbližjo SKIL servisno delavnico (naslovi, kot tudi spisek rezervnih delov se nahaja na www.skil.com)
- Zavedajte se, da garancija ne vključuje poškodb zaradi preobremenitve orodja ali nepravilne rabe (glede SKILovih garancijskih pogojev obiščite www.skil.com ali povprašajte prodajalca)

OKOLJE

- **Električnega orodja, pribora in embalaže ne odstranjujte s hišnimi odpadki** (samo za države EU)
 - v skladu z Evropsko direktivo 2012/19/EG o odpadni električni in elektronski opremi in z njenim izvajanjem v nacionalni zakonodaji je treba električna orodja ob koncu njihove življenjske dobe ločeno zbirati in jih predati v postopek okoliju prijaznega recikliranja
 - ko je potrebno odstranjevanje, naj vas o načinu spomni simbol ⑤

HRUP / VIBRACIJA

- Raven zvočnega tlaka tega orodja, ki je bila izmerjena v skladu s standardom EN 60745, je 94,2 dB(A), raven zvočne moči je 105,2 dB(A) (odstopanje K = 3 dB), skupne vrednosti vibracij * (triosna vektorska vsota; odstopanje K = 1,5 m/s²)
 - * pri vrtnanju v kovino < 2,5 m/s²
 - * pri udarnem vrtnanju v beton 11,1 m/s²
 - Raven oddajanja vibracij je bila izmerjena v skladu s standardiziranimi testi, navedenimi v EN 60745; uporabiti jo je mogoče za primerjavo različnih orodij med seboj in za predhodno primerjavo izpostavljenosti vibracijam pri uporabi orodja za namene, ki so omenjeni
 - uporaba orodja za drugačne namene ali uporaba skupaj z drugimi, slabo vzdrževanimi nastavki lahko znatno **poveča** raven izpostavljenosti
 - čas, ko je orodje izklopljeno ali ko teče, vendar z njim ne delamo, lahko znatno **zmanjša** raven izpostavljenosti
- ! pred posledicami vibracij se zaščitite z vzdrževanjem orodja in pripadajočih nastavkov, ter tako, da so vaše roke tople, vaši delovni vzorci pa organizirani**

EST

Löökpuurtrell

6745

SISSEJUHATUS

- Tööriist on ettenähtud tellise löökpuurimiseks ning puidu, metalli, keraamiliste ja plastmaterjalide löögita puurimiseks
- Tööriist pole mõeldud professionaalseks kasutamiseks
- Palun lugege käesolev kasutusjuhend hoolikalt läbi ja hoidke alles ③

TEHNILISED ANDMED ①

SEADME OSAD ②

- A Lülititööriista sisse-/väljalülitamiseks ja kiiruse kontrollimiseks
- B Lülitilukustusnupp
- C Maksimumkiiruse kontrollregulaator
- D Lülitipöörlemissuuna muutmiseks
- E Käiguvaliku lülitit
- F Lülitipuurimisfunktsiooni valimiseks
- G Lisakäepide
- H Ohutusavad

OHUTUS

ÜLDISED OHUTUSNÕUDED ELEKTRILISTE TÖÖRIISTADE KASUTAMISEL

- ⚠ **HOIATUS** Lugege kõiki hoiatusi, juhiseid, kirjeldusi ja spetsifikatsioone, mis käivad tööriistaga kaasas. Kui kõiki allpool loetletud juhiseid ei õnnestu järgida, võite saada elektrilöögi, võib tekkida tulekahju ja/või saada raskelt vigastada.

Hoidke kõik ohutusnõuded ja juhised edaspidiseks alles.

Allpool kasutatud mõiste "elektriline tööriist" käib võrgutoitega (toitejuhtmega) elektriliste tööriistade ja akutoitega (ilma toitejuhtmeta) elektriliste tööriistade kohta.

1) OHUTUSNÕUDED TÖÖPIIRKONNAS

- Hoidke töökoht puhas ja korras.** Segadus või valgustamata tööpiirkonnad võivad põhjustada õnnetusi.
- Ärge kasutage seadet plahvatusohtlikus keskkonnas, kus leidub tuleohtlikke vedelikke, gaase või tolmu.** Elektrilistest tööriistadest lööb sädemeid, mis võivad tolmu või aurd süüdata.
- Kui kasutate elektrilist tööriista, hoidke lapsed ja teised isikud töökohast eemal.** Kui Teie tähelepanu kõrvale juhitakse, võib seade Teie kontrolli alt väljuda.

2) ELEKTRIOHUTUS

- Seadme pistik peab pistikupesast sobima.** Pistiku kallal ei tohi teha mingeid muudatusi. Ärge kasutage kaitsemaandusega seadmete puhul adapterpistikuid. Muutmata pistikud ja sobivad pistikupesad vähendavad elektrilöögi saamise riski.
 - Vältige kehakontakti maandatud pindadega, nagu torud, radiaatorid, pliidid ja külmikud.** Kui Teie keha on maandatud, on elektrilöögi risk suurem.
 - Hoidke seadet vihma ja niiskuse eest.** Kui elektriseadmesse on sattunud vett, on elektrilöögi saamise risk suurem.
 - Ärge kasutage toitejuhet selleks mitte ettenähtud otstarbel seadme kandmiseks, ülesriputamiseks ega pistiku pistikupesast väljatõmbamiseks.** Hoidke toitejuhet kuumuse, õli, teravate servade ja seadme liikuvate osade eest. Kahjustatud või keerduläinud toitejuhtmed suurendavad elektrilöögi saamise riski.
 - Kui töotate elektrilise tööriistaga vabas õhus, kasutage ainult selliseid pikendusjuhtmeid, mida on lubatud kasutada ka välistingimustes.** Välistingimustes kasutamiseks sobiva pikendusjuhtme kasutamine vähendab elektrilöögi saamise riski.
 - Kui elektrilise tööriista kasutamine niiskes keskkonnas on vältimatu, kasutage maandusega lekkevoolukaitsme.** Maandusega lekkevoolukaitsme kasutamine vähendab elektrilöögi ohtu.
- ### 3) INIMESTE TURVALISUS
- Olge tähelepanelik, jälgige, mida Te teete, ning toimige elektrilise tööriistaga töötades mõistlikult.** Ärge kasutage seadet, kui olete väsinud või uimastite, alkoholi või ravimite mõju all. Hetkeline tähelepanematus seadme kasutamisel võib põhjustada tõsisemaid vigastusi.
 - Kandke isikukaitselahendeid ja alati kaitseprille.**

Isikukaitsevahendite, nagu tolmu mask, libisemiskindlad turvajalatsid, kaitsekiiver või kuulmiskaitsevahendid, kandmine – sõltuvalt elektrilise tööriista tüübist ja kasutusala – vähendab vigastuste riski.

- c) **Vältige seadme tahtmatut käivitamist. Enne pistiku ühendamist pistikupesast, aku ühendamist seadme külge, seadme ülestõstmist ja kandmist veenduge, et elektrilise tööriista on välja lülitatud.** Kui hoiate elektrilise tööriista kandmisel sõrme lülilil või ühendate vooluvõrku sisselülitatud seadme, võivad tagajärjeks olla õnnetused.
- d) **Enne seadme sisselülitamist eemaldage selle küljest reguleerimis- ja mutrivõtmed.** Seadme pöörleva osa küljes olev reguleerimis- või mutrivõti võib põhjustada vigastusi.
- e) **Ärge hinnake end üle. Võtke stabiilne töösens ja hoidke kogu aeg tasakaalu.** Nii saate seadet ootamatutes olukordades paremini kontrollida.
- f) **Kandke sobivat rõivastust. Ärge kandke laiu riideid ega ehteid. Hoidke juuksed ja rõivad seadme liikuvatest osadest eemal.** Lotendavad riided, ehted või pikad juuksed võivad sattuda seadme liikuvate osade vahele.
- g) **Kui on võimalik paigaldada tolmuemaldus- ja tolmu kogumisseadiseid/seadmeid, veenduge, et need oleksid seadmega ühendatud ja et neid kasutataks õigesti.** Tolmuemaldusseadise kasutamine vähendab tolmuust põhjustatud ohte.
- h) **Ärge muutuge tööriista sagedasest kasutamisest hooletuks ja ärge eirake ohutusnõudeid.** Hooletus võib sekundi murdosa jooksul kaasa tuua raskeid vigastusi.
- 4) **ELEKTRILISTE TÖÖRIISTADE HOOLIKAS KÄSITSEMINEN JA KASUTAMINE**
- a) **Ärge koormake seadet üle. Kasutage töö tegemiseks selleks ettenähtud elektrilist tööriista.** Sobiva elektrilise tööriistaga töötate paremini ja turvalisemalt ettenähtud võimsusvahemikus.
- b) **Ärge kasutage elektrilist tööriista, mille lüliti on rikkis.** Elektriline tööriist, mida ei ole enam võimalik sisse ja välja lülitada, on ohtlik ning seda tuleb remontida.
- c) **Tõmmake pistik pistikupesast välja ja/või eemaldage seadmest aku, kui on eemaldatav, enne seadme reguleerimist, tarvikute vahetamist ja seadme ärapanekut.** See ettevaatusabinõu väldib seadme tahtmatut käivitamist.
- d) **Kasutusvälisel ajal hoidke elektrilist tööriista lastele kättesaamatult. Ärge laske seadest kasutada isikutel, kes seda ei tunne või pole siintoodud juhiseid lugenud.** Kogenematute kasutajate käes kujutavad elektrilised tööriistad ohtu.
- e) **Hoolitsege elektriliste tööriistade ja tarvikute eest korralikult. Kontrollige, kas seadme liikuvad osad funktsioneerivad korralikult ja ei kiildu kinni, ning ega mõned osad ei ole katki või sel määral kahjustatud, et võiksid mõjutada seadme töökindlust. Laske kahjustatud osad enne seadme kasutamist parandada.** Paljude õnnetuste põhjuseks on halvasti hooldatud elektrilised tööriistad.
- f) **Hoidke lõiketarvikud teravad ja puhtad.** Hoolikalt hoitud, teravate lõikeservadega lõiketarvikud kiilduvad harvemini kinni ja neid on lihtsam juhtida.

- g) **Kasutage elektrilist tööriista, lisavarustust, tarvikuid jne vastavalt siintoodud juhistele. Arvestage seejuures töötingimuste ja teostatava töö iseloomuga.** Elektriliste tööriistade kasutamine mitte ettenähtud otstarbel võib põhjustada ohtlikke olukordi.
- h) **Hoidke käepidemed ja haardepinnad kuiva ja puhtana ning vabana õlist ja määrdeainetest.** Libedad käepidemed ja haardepinnad ei luba tööriista ohutult käsitseda ja ootamatutes olukordades kontrolli all hoida.
- 5) **TEENINDUS**
- a) **Laske seadet parandada ainult kvalifitseeritud spetsialistidel ja ainult originaalvaruosadega.** Nii tagate seadme püsimise turvalisena.

TÖÖOHUTUS LÖÖKPUURTRELLIDE OSAS

- 1) **OHUTUSJUHISED KÕIKIDE TOIMINGUTE KORRAL**
- a) **Kandke löökpuurimise ajal kõrvaklappe** Kokkupuude müraga võib põhjustada kuulmiskadu
- b) **Kasutage lisakäepidid (lisakäepidemeid)** Kontrolli kaotamine võib põhjustada isikukahju
- c) **Hoidke elektrilist tööriista isoleeritud haardepindadest, kui kasutate seda nii, et lõiketarvik või kinnitus võib minna peidetud juhtmesiti või omaenda juhtme vastu.** Lõiketarvik või kinnitus, mis satuvad kontakti voolu all oleva juhtmega, võivad muuta elektritööriista metallosad voolu juhtivaks ja võivad käitajale anda elektrilöögi.
- 2) **OHUTUSJUHISED PIKA PUURI KASUTAMISE KORRAL**
- a) **Ärge kasutage kunagi kiirusel, mis ületab puuri maksimaalset nimikiirust** Suuremal kiirusel võib lõiketera vabalt pöörlemise ja töödeldava detailiga kokkupuute puudumise korral põhjustada isikukahju.
- b) **Puurimist tuleb alustada alati madalal kiirusel ja puuri lõiketera peab töödeldava detailiga kokku puutuma** Suuremal kiirusel võib lõiketera vabalt pöörlemise ja töödeldava detailiga kokkupuute puudumise korral põhjustada isikukahju.
- c) **Rakendage jõudu ainult otse lõiketerale ja ärge rakendage liigselt jõudu** Lõiketerad võivad painduda ja põhjustada seeläbi purunemist või kontrolli kaotamist ning isikukahju

ÜLDIST

- Tööriista kasutaja peab olema vähemalt 16 aastat vana
- Enne seadme reguleerimist või tarviku vahetust eemaldage seade vooluvõrgust (tõmmake pistik pistikupesast välja)
- Pikendusjuhtmete kasutamisel jälgige, et juhe oleks lõpueni lahti keritud ja vastaks 16 A voolutugevusele
- **Asbestisisaldava materjali töötlemine on keelatud** (asbest võib tekitada vähki)
- Värvi gaetud juhtmed, mõned puidulligid, mineraalid ja metall eraldavad tolmu, mis võib olla kahjulik (kokkupuude tolmu või selle sissehingamine võib seadme kasutajal või läheduses viibivatel inimestel põhjustada allergilisi reaktsioone ja/või hingamisteede haigusi); **kandke tolmu maski ja vajaduse korral töötaage külgeühendatava tolmuemaldusseadme**
- Teatud tüüpi tolmu on klassifitseeritud kantserogeensena (nt tammest ja kasest eralduv tolmu), eriti koos puudu niiskuse reguleerimiseks kasutatavate lisanditega; **kandke tolmu maski ja vajaduse korral töötaage külgeühendatava tolmuemaldusseadme**

- Erinevate materjalide töötlemisel tekkiva tolmu käitlemisel tuleb järgida kehtivaid nõudeid

ENNE KASUTAMIST

- Kontrollige alati, kas võrgupinge ühtib tööriista andesildil toodud pingega
- Välitge töödeldavas esemes olevatest kruvidest, naeltest vms põhjustatud kahjustusi; eemaldage need enne töö alustamist
- **Varjatult paiknevate elektrijuhtmete, gaasi- või veetorude avastamiseks kasutage sobivaid otsimiseseadmeid või pöörduge kohaliku elektri-, gaasi- või vee-ettevõtte poole** (kokkupuutel elektrijuhtmetega tulekahju- ja elektrilöögioht; gaasitorustiku vigastamisel plahvatusoht; veetorustiku vigastamisel materiaalne kahju või elektrilöögioht)
- **Fikseerige toorik** (fiksaatoriga kinnitatud või kruustangide vahele pandud toorik püsib kindlamini paigal kui lihtsalt käega hoides)
- Ärge kasutage kunagi tööriista, kui juhe on kahjustatud; see tuleb välja vahetada spetsiaalse juhtme vastu, mille saate hooldusteenust osutavalt ettevõttelt.

TARVIKUD

- SKIL tagab seadme häireteta töö üksnes originaaltarvikute kasutamisel
- Kasutage vaid neid tarvikuid, mille lubatud pöörete arv on vähemalt sama suur nagu maksimaalsed tühikäigupöörded

KASUTAMISE AJAL

- Välitge toitejuhtme kokkupuutumist seadme pöörlevate osadega
- Kui puur ootamatult blokeerub (põhjustades järsu, ohtliku reaktsiooni), lülitage seade koheselt välja
- Pöörake tähelepanu blokeerumisel tekkivatele jõududele (eriti metalli puurimisel); **hoidke tööriista alati külgkäepidemest G** ja võtke stabiilne töösend
- Seadme elektrilise või mehhaanilise häire korral lülitage seade viivitamatult välja ja eemaldage pistik vooluvõrgust
- Kui toitejuhe saab töötamise ajal kahjustada või see lõigatakse läbi, ärge toitejuhet puutuge, vaid eemaldage koheselt pistik vooluvõrgust

PÄRAST KASUTAMIST

- Enne tööriista juurest lahkumist lülitage see välja ning oodake, kuni selle liikuvad osad on täielikult seiskunud

TÖÖRIISTAL OLEVATE SÜMBOLITE SELGITUS

- ③ Enne kasutamist tutvuge kasutusjuhendiga
- ④ Topeltisolatsioon (maandusjuhe pole vajalik)
- ⑤ Ärge visake kasutuselõlmatuks muutunud tööriista ära koos olmejäätmetega

KASUTAMINE

- Sisse/välja ⑥
 - Lüliti lukustamine pidevaks tööks ⑦
 - Pöörete arvu reguleerimine sujuvaks käivituseks ⑧
 - Maksimumkiiruse kontroll ⑨
 - Ratta C abil saab maksimumkiirust reguleerida
 - lülitage seade sisse
 - lukustage lüliti
 - valige ratta C abil maksimumkiirus
 - Mehaaniline käiguvalik ⑩
 - valige lüliti E abil soovitud pöörded
- ! käiguvaliku lüliti tohib ümber lülitada siis, kui seade töötab aeglastel pööretel**

1 = AEGLANE KIIRUS

- suur pöördemoment

- suure läbimõõduga aukude puurimiseks

- keermete puurimiseks

2 = KÕRGED PÖÖRDED

- madal pöördemoment

- väikese läbimõõduga aukude puurimiseks

- Pöörlemissuuna ümberlülitamine ⑪
 - kui lüliti ei ole korralikult fikseerunud vasakus/paremas asendis, ei ole võimalik tööülilitle A ② vajutada
- **! pöörlemissuunda tohib muuta üksnes siis, kui seade on täielikult seiskunud**
- Tavaline puurimine või löökpuurimine ⑫
 - **puurimisfunktsiooni tohib muuta üksnes siis, kui seade on välja lülitatud ja pistik on vooluvõrgust eemaldatud**
- Otsake vahetamine ⑬
 - lükake otsak võimalikult sügavale padrunisse
- **! ärge kasutage kahjustatud varrega otsakuid**
- Puurimissügavuse reguleerimine ⑭
- Tööriista hoidmine ja juhtimine ⑮
 - **hoidke tööriista alati külgkäepidemest G** (reguleeritav vastavalt joonisele)
- **! töötamise ajal hoidke tööriista kinni korpuse ja käepideme halli värvi osadest**
 - hoidke õhutusavad kinnikatmata
 - ärge suruge tööriistale liigselt; laske sellel enda heaks töötada

TÖÖJUHISED

- Kasutage sobivaid otsakuid ⑯
 - **! kasutage üksnes teravaid otsakuid**
- Betooni või kivi puurimisel on vajalik pideva surve avaldamine trellile
- Metallide puurimisel
 - kui vajate suuremat auku, puurige algul ette väike auk
 - määrige otsakuid aeg-ajalt õliga
- Puidu puurimine puitu kahjustamata ⑰
- Müüritise puurimine tolmu tekitamata ⑱
- Lagede puurimine tolmu tekitamata ⑲
- Keraamiliste plaatide puurimine, ilma et puur libiseks ⑳
- Lisateavet lugege aadressilt www.skil.com

HOOLDUS/TEENINDUS

- Tööriist pole mõeldud professionaalseks kasutamiseks
- Hoidke seade ja toitejuhe alati puhtad (eriti õhutusavad H ②)
- **! enne puhastamist eemaldage seade vooluvõrgust**
- Tööriist on hoolikalt valmistatud ja testitud; kui tööriist sellest hoolimata rikki läheb, tuleb see lasta parandada SKILI elektriliste käsitööriistade volitatud remonditöökojas
 - toimetage **lahtimonteerimata** seade koos ostukviitungiga tarnijale või lähimasse SKILI lepingulisse töökotta (aadressid ja tööriista varuosade joonise leiate aadressil www.skil.com)
- Arvestage sellega, et garantii ei hõlma seadme ülekoormamisest või ebaõigest käsitsemisest tulenevaid kahjustusi (teavet SKILI garantiitingimuste kohta vaadake veebilehelt www.skil.com või küsige kohalikul müügiesindajalt)

KESKKOND

- **Ärge visake kasutuskõlmatuks muutunud elektrilisi tööriistu, lisatarvikuid ja pakendeid ära koos olmejäätmetega** (üksnes EL liikmesriikidele)
 - vastavalt Euroopa Parlamendi ja nõukogu direktiivile 2012/19/EÜ elektri- ja elektroonikaseadmete jäätmete kohta ning direktiivi nõuete kohaldamisele liikmesriikides tuleb kasutuskõlmatuks muutunud elektrilised tööriistad koguda eraldi ja keskkonnasäästlikult korduvkasutada või ringlusse võtta
 - seda meenutab Teile sümbol ⑤

MÜRA / VIBRATSIOON

- Standardiga EN 60745 kooskõlas mõõdetud tööriista helirõhu tase on 94,2 dB(A) ja helivõimsuse tase 105,2 dB(A) (määramatus K = 3 dB), ja vibratsioon
 - * (ruumiliste vektorite summa; mõõtemääramatus K = 1,5 m/s²)
 - * metalli puurimisel < 2,5 m/s²
 - * betooni löökpuurimisel 11,1 m/s²
 - Tekkiva vibratsiooni tase on mõõdetud vastavalt standardiga EN 60745 kirjeldatud standarditud testile; seda võib kasutada tööriistade võrdlemiseks ja tööriista kasutamisel ettenähtud töödeks esineva vibratsiooni esialgseks hindamiseks
 - tööriista kasutamisel muudeks rakendusteks või teiste/halvasti hooldatud tarvikute kasutamisel võib vibratsioon märkimisväärselt **suurened**
 - ajal, kui tööriist on väljalülitatud või on küll sisselülitatud, kuid tegelikult seda ei kasutata, võib vibratsioon märkimisväärselt **vähened**
- ! enda kaitsmiseks vibratsiooni eest hooldage tööriista ja selle tarvikuid korralikult, hoidke oma käed soojad ja tagage sujuv töökorraldus**

LV

Triecienurbjmašina

6745

IEVADS

- Šis instruments ir paredzēts triecienurbšanai mūrī kā arī rotācijas urbšanai kokā, metālā, keramikas izstrādājumos un plastmasā
- Šis darbarīks nav paredzēts profesionālai lietošanai
- Izlasiet un saglabājiet šo pamācību ③

TEHNISKIE PARAMETRI ①

INSTRUMENTA ELEMENTI ②

- A Ieslēdzējs un griešanās ātruma regulators
- B Poga ieslēdzēja fiksēšana
- C Pirkstrats maksimālā griešanās ātruma priekšiestādīšanai
- D Griešanās virzienu pārslēdzējs
- E Pārnesumu pārslēdzējs
- F Urbšanas funkciju pārslēdzējs
- G Papildrokturis
- H Ventilācijas atveres

DROŠĪBA

VISPĀRĒJIE NOTEIKUMI ELEKTROINSTRUMENTU DROŠAI LIETOŠANAI

⚠ BRĪDINĀJUMS Iepazīstieties ar visiem šī elektroinstrumenta drošas lietošanas noteikumiem, norādījumiem, attēliem un specifiskācijām. Visu turpmāk sniegto norādījumu neizpildes rezultātā lietotājs var ciest no elektrošoka, var izvērsties ugunsnelaime un/vai rasties smagi ievainojumi.

Saglabājiet visus noteikumus un norādījumus turpmākai atsaucēi.

Noteikumos minētais termins "elektroinstruments" nozīmē ar strāvu darbināmu (ar vadu aprīkotu) vai ar akumulatoru darbināmu (bezvadu) elektroinstrumentu.

1) DROŠĪBA DARBA VIETĀ

- a) **Sekojiēt, lai darba vieta būtu tīra un sakārtota.** Nekārtīgā darba vietā vai sliktā apgaismojumā var viegli notikt nelaimes gadījums.
- b) **Nelietojiet elektroinstrumentu eksplozivā vai ugunsnedrošu vielu tuvumā un vietās ar paaugstinātu gāzes vai putekļu saturu gaisā.** Darba laikā instruments nedaudz dzirksteļo, un tas var izsaukt viegli degošu putekļu vai tvaiku aizdegšanos.
- c) **Lietojot elektroinstrumentu, nelaujiet nepiederošām personām un jo īpaši bērniem tuvoties darba vietai.** Citu personu klātbūtnē var novērst uzmanību, un tā rezultātā jūs varat zaudēt kontroli pār instrumentu.

2) ELEKTRODROŠĪBA

- a) **Elektroinstrumenta kontaktdakšai jābūt piemērotai elektroītkla kontaktligzdai. Kontaktdakšas konstrukciju nedrīkst nekādā veidā mainīt. Nelietojiet kontaktdakšas salāgotājus, ja elektroinstruments caur kabeli tiek savienots ar aizsargzemējuma ķēdi.** Neizmainītas konstrukcijas kontaktdakša, kas piemērota kontaktligzdai, ļauj samazināt elektriskā trieciena saņemšanas risku.
- b) **Darba laikā nepieskarieties saņemtiem priekšmetiem, piemēram, caurulēm, radiatoriem, plītim vai ledusskapjiem.** Pieskaroties saņemtiem virsmām, pieaug risks saņemt elektrisko triecienu.
- c) **Nelietojiet elektroinstrumentu lietus laikā, neturiet to mitrumā.** Mitrumam iekļūstot instrumentā, pieaug risks saņemt elektrisko triecienu.
- d) **Nenesiet un nepiekariet elektroinstrumentu aiz elektrokabeļa. Neraujiet aiz kabeļa, ja vēlaties atvienot instrumentu no elektroītkla kontaktligzdas. Sargājiet elektrokabeli no karstuma, eļļas, asām šķautnēm un instrumenta kustīgajām daļām.** Bojāts vai samezģlojies elektrokabelis var būt par cēloni elektriskajam triecienam.
- e) **Darbinot elektroinstrumentu ārpus telpām, izmantojiet tā pievienošanai vienīgi tādus pagarinātājkabeļus, kuru lietošana ārpus telpām ir atļauta.** Lietojot elektrokabeli, kas piemērots darbam ārpus telpām, samazinās risks saņemt elektrisko triecienu.
- f) **Ja elektroinstrumentu tomēr nepieciešams lietot vietās ar paaugstinātu mitrumu, izmantojiet tā**

pievienošanai noplūdes strāvas aizsargreleju.

Lietojot noplūdes strāvas aizsargreleju, samazinās risks saņemt elektrisko triecienu.

3) PERSONISKĀ DROŠĪBA

- a) Darba laikā saglabājiet paškontroli un rīkojieties saskaņā ar veselo saprātu. Pārtrauciet darbu, ja jūtaties noguris vai atrodaties alkoholā, narkotiku vai medikamentu izraisītā reibumā. Strādājiet ar elektroinstrumentu, pat viens neuzmanības mirklis var būt par cēloni nopietnam savainojumam.
- b) **Izmantojiet individuālos darba aizsardzības līdzekļus un darba laikā vienmēr nēsājiet aizsargbrilles.** Individuālo darba aizsardzības līdzekļu (putekļu maskas, neslīdošu apavu un aizsargķiveres vai ausu aizsargu) pielietošana atbilstoši elektroinstrumenta tipam un veicamā darba raksturam ļauj izvairīties no savainojumiem.
- c) **Nepieļaujiet elektroinstrumenta patvaļīgu ieslēgšanos. Pirms elektroinstrumenta pievienošanas elektrotīklam, akumulatora ievietošanas vai izņemšanas, kā arī pirms elektroinstrumenta pārņemšanas pārliecinieties, ka tas ir izslēgts.** Pārnesot elektroinstrumentu, ja pirksts atrodas uz ieslēdzēja, kā arī pievienojot to elektrobarošanas avotam laikā, kad elektroinstrumentis ir ieslēgts, var viegli notikt nelaimes gadījums.
- d) **Pirms instrumenta ieslēgšanas neaizmirstiet izņemt no tā regulējošos instrumentus vai skrūvjatslēgas.** Patronatslēga vai skrūvjatslēga, kas instrumenta ieslēgšanas brīdī nav izņemta no tā, var radīt savainojumu.
- e) **Strādājot ar elektroinstrumentu, ieturiet stingru stāju. Darba laikā vienmēr saglabājiet līdzsvaru un centieties nepaslidēt.** Tas atvieglos instrumenta vadību neparedzētās situācijās.
- f) **Izvēlieties darbam piemērotu apģērbu. Darba laikā nenēsājiet brīvi plandošas drēbes un rotaslietas. Netuviniet garus matus un drēbes elektroinstrumenta kustīgajām daļām.** Vaļīgas drēbes, rotaslietas un gari mati var iekļerties instrumenta kustīgajās daļās.
- g) **Ja elektroinstrumenta konstrukcija ļauj tam pievienot ārējo putekļu uzsūkšanas vai savākšanas/uzkrāšanas ierīci, sekojiet, lai tā tiktu pievienota elektroinstrumentam un pareizi darbotos.** Pielietojot putekļu uzsūkšanu vai savākšanu/uzkrāšanu, samazinās no kaitīgā ietekme uz strādājošās personas veselību.
- h) **Nepaļaujieties uz iemaņām, kas tiek iegūtas, bieži lietojot instrumentus, neieslīgstiet pašapmierinātībā un neignorējiet instrumenta drošas lietošanas principus.** Neuzmanīgas rīcības dēļ dažās sekundēs daļās var gūt nopietnu savainojumu.
- 4) **ELEKTROINSTRUMENTU LIETOŠANA UN APKOPE**
 - a) **Nepārslodģojiet elektroinstrumentu. Katram darbam izvēlieties piemērotu instrumentu.** Elektroinstrumentus darbības labāk un drošāk pie nominālās slodzes.
 - b) **Nelietojiet elektroinstrumentu, ja ir bojāts tā ieslēdzējs.** Elektroinstrumenti, ko nevar ieslēgt un izslēgt, ir bīstams lietošanai un to nepieciešams remontēt.
 - c) **Pirms elektroinstrumenta apkopes, regulēšanas vai darbinstrumenta nomainīšanas atvienojiet tā kontaktdakšu no barojošā elektrotīkla vai izņemiet**

no tā akumulatoru, ja tas ir izņemams. Šādi iespējams samazināt elektroinstrumenta nejausās ieslēgšanās risku.

- d) **Elektroinstrumentu, kas netiek darbināts, uzglabājiet piemērotā vietā, kur tas nav sasniedzams bērniem un personām, kuras neprot rīkoties ar instrumentu.** Ja elektroinstrumentu lieto nekompetentas personas, tas var apdraudēt cilvēku veselību.
- e) **Savlaicīgi apkalpojiet elektroinstrumentus un to piederumus.** Pārbaudiet, vai kustīgās daļas darbojas bez traucējumiem un nav iespīlētas, vai kāda no daļām nav salauzta vai bojāta, vai katra no tām pareizi funkcionē un pilda tai paredzēto uzdevumu. **Nodrošiniet, lai bojātās daļas tiktu savlaicīgi nomainītas vai remontētas pilnvarotā remontu darbnīcā.** Daudzi nelaimes gadījumi notiek tāpēc, ka elektroinstrumenti pirms lietošanas nav pienācīgi apkalpoti.
- f) **Savlaicīgi notīriet un uzasiniet griezošos darbinstrumentus.** Rūpīgi kopti instrumenti, kas apgādāti ar asiem griezējinstrumentiem, ļauj strādāt daudz ražīgāk un ir vieglāk vadāmi.
- g) **Lietojiet vienīgi tādus elektroinstrumentus, papildiederumus, darbinstrumentus utt., kas paredzēti attiecīgajam pielietojuma veidam. Bez tam jāņem vērā arī konkrētie darba apstākļi un pielietojuma īpatnības.** Elektroinstrumentu lietošana citiem mērķiem, nekā to ir paredzējis ražotājfirma, ir bīstama un var novest pie neparedzamām sekām.
- h) **Uzturiet elektroinstrumenta rokturus un noturvirsmas sausas un tīras, sargājiet tās no eļļas un smērvielām.** Slideni rokturi un noturvirsmas traucē efektīvi rīkoties ar elektroinstrumentu un to droši vadīt neparedzētās situācijās.
- 5) **APKALPOŠANA**
 - a) **Nodrošiniet, lai Instrumenta remontu veiktu kvalificēts personāls, nomaīnai izmantojot oriģinālās rezerves daļas un piederumus.** Tikai tā iespējams panākt instrumenta ilgstošu un nevainojamu darbību bez atteikumiem.

DARBA DROŠĪBAS NOTEIKUMI TRIECIENURBJMAŠINĀM

1) DARBA DROŠĪBAS NOTEIKUMI VISU DARBĪBU VEIKŠANAI

- a) **Veicot triecienuurbšanu, izmantojiet ausu aizsargus.** Trokšņa iedarbība var izraisīt dzirdes zudumu.
- b) **Izmantojiet papildu rokturi(-us).** Zaudējot kontroli pār darbinstrumentu, pastāv savainojumu risks.
- c) **Veicot darbu, kura laikā darbinstruments vai stiprinājumi var skart slēptus elektriskos vadus vai savu vadu, turiet elektroinstrumentu tikai aiz izolētajām virsmām.** Darbinstrumentam vai stiprinājumiem skarot spriegumnesošus vadus, spriegums nonāk arī uz instrumenta metāla daļām un var izraisīt elektrisko triecienu.

2) DARBA DROŠĪBAS NOTEIKUMI, IZMANTOJOT GARUS URBŠANAS UZGAĻUS

- a) **Nekad neurbiet, pārsniedzot maksimālo ātrumu, kas norādīts uz urbšanas uzgaļa.** Rotējot lielākā ātrumā un nesaskaroties ar urbjamo detaļu, uzgaļis var saliekties,

kas var izraisīt savainojumu.

- b) **Vienmēr sāciet urbšanu nelielā ātrumā, uzgaļa galam saskaroties ar urbjamā detaļu.** Rotējot lielākā ātrumā un nesaskaroties ar urbjamā detaļu, uzgalis var saliekties, kas var izraisīt savainojumu.
- c) **Piespiediet tieši tādā virzienā, kādā vērstis uzgalis, un nespiediet pārāk stipri.** Uzgaļi var saliekties, tā tie var salūzt vai varat zaudēt kontroli pār instrumentu un gūt savainojumu.

VISPĀRĒJA INFORMĀCIJA

- Šo instrumentu nedrīkst izmantot personas, kas jaunākas par 16 gadiem
- **Pirms instrumenta regulēšanas vai piederumu nomaiņas atvienojiet to no barojošā elektrotīkla**
- Lietojiet pilnīgi attīstus un drošus pagarinātājkabeļus, kas paredzēti 16 A strāvāi
- **Neapstrādājiet materiālus, kas satur azbestu** (azbestam piemīt kancerogēnas īpašības)
- Materiāla, piemēram svīnu saturošas krāsas, dažū koka šķirņu, minerālu un metāla, putekļi var būt kaitīgi (saskare ar putekļiem vai to ieelpošana var izraisīt alerģiskas reakcijas un/vai elpošanas ceļu saslimšanas operatoram vai kļātesošajiem); **izmantojiet putekļu masku un putekļsūcēju, ja to iespējams pievienot**
- Dažu veidu putekļi ir klasificēti kā kancerogēni (piemēram, ozola vai dižskābarža putekļi), jo īpaši apvienojumā ar koksnes kondicionēšanas piedevām; **izmantojiet putekļu masku un putekļsūcēju, ja to iespējams pievienot**
- Ievērojiet ar putekļu savākšanu saistītos nacionālos noteikumus, kas attiecas uz apstrādājamajiem materiāliem

PIRMS DARBA UZSĀKŠANAS

- Vienmēr pārliecinieties, ka spriegums, kas uzrādīts uz instrumenta marķējuma plāksnītes, atbilst padeves spriegumam elektrotīklā
- Izvairieties no instrumenta bojājumiem, ko var radīt apstrādājamajā priekšmetā esošās skrūves, naglas vai citi līdzīgi objekti; pirms darba uzsākšanas atbrīvojiet apstrādājamo materiālu no šādiem priekšmetiem
- **Ar piemērota metālmeklētāja palīdzību pārbaudiet, vai apstrādes vietu nekšeros slēptas elektropārvades līnijas, kā arī gāzes vai ūdens caurules; šaubu gadījumā griezieties vietējā komunālās saimniecības iestādē** (darbinstrumentam skarot elektrotīkla fāzes līniju, var izcelties ugunsgrēks un strādājošais var saņemt elektrisko triecienu; gāzes vada bojājums var izraisīt sprādzienu; darbinstrumentam skarot ūdensvada cauruli, var tikt bojātas materiālās vērtības un strādājošais var saņemt elektrisko triecienu)
- **Nostipriniet apstrādājamo detaļu** (to ir drošāk nostiprināt ar spailēm vai skrūvspilēm, nevis turēt rokā)
- Nekad neizmantojiet instrumentu, ja bojāts tā vads; tas jānomaina pret speciāli sagatavotu kabeli, kas pieejams servisa uzņēmumā.

PIEDERUMI

- Firma SKIL garantē instrumenta nevainojamu darbību tikai tad, ja tiek lietoti oriģinālie papildpiederumi
- Lietojiet tikai tādus darbinstrumentus, kuru pielaujamais darbības ātrums ir vismaz tikpat liels, kā instrumenta maksimālais brīvgaits ātrums

DARBA LAIKĀ

- Darba laikā sekojiet, lai elektrokabelis atrastos drošā attālumā no instrumenta kustīgajām daļām
- Ja darba laikā urbis pēkšņi iestrēgst urbumā, tas var

radīt ievērojamu reakīvo momentu, kas savukārt var būt par cēloni negadījumam; šādā gadījumā nekavējoties izslēdziet instrumentu

- **Nemiet vērā reakīvo spēku, kas rodas, iestrēgstot darbinstrumentam (īpaši, veicot urbšanu metālā), vienmēr izmantojiet papildrokturi G un nodrošiniet stabili pamatu zem kājām**
- Elektriska vai mehāniska rakstura kļūmes gadījumā nekavējoties izslēdziet instrumentu un atvienojiet kabeļa kontaktdakšu no elektrotīkla
- Ja darba laikā tiek pārgriezts vai citādi mehāniski bojāts instrumenta elektrokabelis, nepieskarieties tam, bet nekavējoties atvienojiet elektrokabeļa kontaktdakšu no barojošā elektrotīkla

PĒC DARBA PABEIGŠANAS

- Pirms instrumenta novietošanas izslēdziet tā elektrodzinēju un nogaidiet, līdz ir pilnīgi apstājušās visas instrumenta kustīgās daļas

UZ INSTRUMENTA ATTĒLOTO SIMBOLU SKAIDROJUMS

- ③ Pirms izstrādājuma lietošanas izlasiet tā lietošanas pamācību
- ④ Divkārsa izolācija (nav jālieto zemējuma vads)
- ⑤ Neizmietiet nolietoto instrumentu sadzīves atkritumu tvērtē

DARBS

- Ieslēgšana/izslēgšana ⑥
- Instrumenta ieslēgšana ilgstošai darbībai, fiksējot tā ieslēdzēju ⑦
- Darbvārpstas griešanās ātruma bezpakāpju regulēšana ⑧
- Maksimālā darbvārpstas griešanās ātruma priekšiestādīšana ⑨
Ar pirkstrata C palīdzību maksimālo darbvārpstas griešanās ātrumu iespējams regulēt no nelielas vērtības līdz lielākai
 - ieslēdziet instrumentu
 - nofiksējiet ieslēdzēju
 - griežot pirkstratu C, iestādiet vēlamo maksimālo griešanās ātrumu
- Mehāniskā pārnese pārslēgšana ⑩
 - ar pārslēdzēja E palīdzību izvēlieties vajadzīgo ātrumu**! pārvietojiet pārnese pārslēdzēju tikai tad, kad instruments darbojas ar nelielu ātrumu**
1 = MAZS ĀTRUMS
 - liels griezes moments
 - piemērots lielāka diametra urbumu veidošanai
 - piemērots vītņu iegriešanai2 = LIELĀKS ĀTRUMS
 - mazāks griezes moments
 - piemērots mazāka diametra urbumu veidošanai
- Griešanās virziena pārslēgšana ⑪
 - ja darbvārpstas griešanās virziena pārslēdzējs nav precīzi iestādīts galējā labējā/kreisajā stāvoklī, ieslēdzēju A ② nav iespējams nospiest**! pārslēdziet darbvārpstas griešanās virzienu tikai tad, kad instruments ir pilnībā apstājies**
- Parastā urbšana vai triecienu urbšana ⑫
! urbšanas funkciju pārslēgšanas brīdī instrumentam obligāti jābūt izslēgtam un elektrokabeļa kontaktdakša jābūt atvienotai no elektrotīkla
- Darbinstrumentu nomaiņa ⑬
 - ievietojiet darbinstrumenta kātu urbpatronā pēc iespējas dziļāk

! neizmantojiet darbinstrumentus ar bojātu kātu

- Urbšanas dziļuma iestādīšana 14
- Instrumenta turēšana un vadīšana 15
 - vienmēr izmantojiet papilddrokturi G (tā stāvoklis ir regulējams, kā parādīts attēlā)
- ! darba laikā vienmēr turiet instrumentu aiz pelēkās krāsas noturvirsmas(ām)
 - nenosprostojiet instrumenta ventilācijas atveres
 - darba laikā pārlieku nespiediet instrumentu; ļaujiet tam darboties nominālā režīmā

PRAKTISKI PADOMI

- Lietojiet tikai tādus darbinstrumentus, kuru tips atbilst aprādādāmajam materiālam 16
- ! **lietojiet tikai asus darbinstrumentus**
- Veicot urbšanu betonā vai akmeņi, ieturiet pastāvīgu spiedienu uz instrumentu
- Melno metālu urbšana
 - ja nepieciešams izveidot liela diametra urbumu, vispirms ieurbiet mazāka izmēra atvērums
 - laiku pa laikam ieeļļojiet urbi
- Urbumu veidošana koksņē bez aprādādāmajā materiāla plaisāšanas 17
- Urbumu veidošana sienās, vienlaicīgi savācot urbšanas rezultātā radušos grūžus 18
- Urbumu veidošana griestos, vienlaicīgi savācot urbšanas rezultātā radušos grūžus 19
- Urbumu veidošana flīzēs, nepieļaujot to plaisāšanu 20
- Papildu informāciju skatīt tīmekļa vietnē www.skil.com

APKALPOŠANA / APKOPE

- Šis darbarīks nav paredzēts profesionālai lietošanai
- Uzturiet tīru instrumentu un elektrokabeli (īpaši ventilācijas atveres H 2)
- ! **pirms instrumenta tīrīšanas atvienojiet to no elektrotīkla**
- Ja, neraugoties uz augsto izgatavošanas kvalitāti un rūpīgo pērcražošanas pārbaudi, instruments tomēr sabojājas, tas jānogādā remontam firmas SKIL pilnvarotā elektroinstrumentu remonta darbnīcā
 - nogādājiet instrumentu **neizjauktā veidā** kopā ar iegādes dokumentiem tuvākajā tirdzniecības vietā vai firmas SKIL pilnvarotā pēciegādes apkalpošanas un remonta iestādē (adreses un instrumenta apkalpošanas shēma ir sniegta interneta vietnē www.skil.com)
- Ievērojiet, ka garantijā neietilpst pārslodzes vai nepareizas instrumenta ekspluatācijas izraisītie bojājumi (SKIL garantijas noteikumus skatiet www.skil.com vai vērsieties pie izplatītāja)

APKĀRTĒJĀS VIDES AIZSARDZĪBA

- **Neizmetiet elektroiekārtas, piederumus un iesaiņojuma materiālus sadzīves atkritumos** (tikai ES valstīm)
 - saskaņā ar Eiropas Savienības direktīvu 2012/19/ES par nolietotajām elektriskajām un elektroniskajām iekārtām un tās atspoguļojumiem nacionālajā likumdošanā, nolietotās elektroiekārtas ir jāsavāc, jāizjauca un jānogādā otrreizējai pārstrādei apkārtējai videi nekaitīgā veidā
 - īpašs simbols 5 atgādina par nepieciešamību izstrādājumus utilizēt videi nekaitīgā veidā

TROKSNIS / VIBRĀCIJA

- Veicot mērījumus atbilstoši EN 60745, šī instrumenta akustiskā spiediena līmenis ir 94,2 dB(A), akustiskās jaudas līmenis ir 105,2 dB(A) (nenoteiktība K = 3 dB), bet vibrācija * (triaksiālā vektora summa; nenoteiktība K = 1.5 m/s²)
 - * veicot urbšanu metālā < 2,5 m/s²
 - * veicot triecienuurbšanu betonā 11,1 m/s²
- Vibrācijas līmenis ir noteikts, izmantojot standartā EN 60745 paredzēto procedūru; to var izmantot, lai salīdzinātu instrumentu provizoriski izvērtētu vibrācijas iedarbību, lietojot instrumentu minētajiem mērķiem
 - instrumenta izmantošana citiem mērķiem vai ar citiem vai nepietiekami koptiem piederumiem var ievērojami palielināt kopējo vibrācijas iedarbības pakāpi
 - laika periodi, kad instruments ir izslēgts vai arī ir ieslēgts, taču darbs ar to nenotiek, var ievērojami samazināt kopējo vibrācijas iedarbības pakāpi
- ! **pasargājiet sevi no vibrācijas iedarbības, veicot instrumenta un tā piederumu tehnisko apkopi, novēršot roku atdzišanu un pareizi organizējot darbu**

LT

Smūginis grēžtuvas

6745

ĪVADAS

- Šis įrankis skirtas smūginiam plytų gręžimui, o taip pat medienai, metalui, keramikai bei plastmasei gręžti be smūgio
- Šis įrankis neskirtas profesionaliam naudojimui
- Perskaitykite ir išsaugokite šią naudojimo instrukciją 3

TECHNINIAI DUOMENYS 1

PRIETAISO ELEMENTAI 2

- A Jungiklis įjungimui/išjungimui ir greičiui valdyti
- B Jungiklio fiksatorius
- C Ratukas maksimalių sukčių reguliavimui
- D Sukimosi krypties perjungiklis
- E Greičių perjungiklis
- F Gręžimo funkcijos perjungiklis
- G Pagalbinė rankena
- H Ventilacinės angos

SAUGA

BENDRIEJI ELEKTRINIŲ ĮRANKIŲ SAUGOS ĮSPĖJIMAI

⚠ **ĮSPĖJIMAS** Perskaitykite visus su šiuo elektriniu prietaisu pateiktus saugos perspėjimus, instrukcijas, paveikslėlius ir specifikacijas. Nepaisant toliau pateiktų instrukcijų galite patirti elektros smūgį, įvykti gaisras ir / ar patirti rimtų sužalojimų.

Išsaugokite visus įspėjimus ir instrukcijas ateičiai.

Terminas „elektros įrankis“ įspėjimuose reiškia jūsų iš elektros tinklo (laidais) maitinamus įrankius arba elektros įrankius, veikiančius nuo baterijų (beleidžiūs).

1) DARBO VIETOS SAUGUMAS

- a) **Darbo vieta turi būti švari ir tvarkinga.** Netvarka ar blogai apšviesta darbo vieta gali tapti nelaimingų atsitikimų priežastimi.
- b) **Nedirbkite tokioje aplinkoje, kur yra degių skysčių, dujų ar dulkių.** Elektriniai įrankiai gali kibirkščiuoti, o nuo kibirkščių dulkės arba susikaupę garai gali užsidegti.
- c) **Dirbdami su elektriniu įrankiu neleiskite šalia būti žiūrovams, vaikams ir lankytojams.** Nukreipę dėmesį į kitus asmenis galite nebesuvaldyti prietaiso.

2) ELEKTROSAUGA

- a) **Maitinimo laido kištukas turi atitikti tinklo rozetės tipą. Kištuko jokių būdu negalima modifikuoti. Nenaudokite jokių kištuko adapterių su žemintais prietaisais.** Originalūs kištukai, tiksliai tinkantys elektros tinklo rozetei, sumažina elektros smūgio pavojų.
- b) **Venkite kūno kontakto su žemintais paviršiais, tokiais kaip vamzdžiai, šildytuvai, viryklės ar šaldytuvai.** Egzistuoja padidinta elektros smūgio rizika, jei Jūs kūnas bus žemintas.
- c) **Saugokite prietaisą nuo lietaus ir drėgmės.** Jei vanduo patenka į elektrinį prietaisą, padidėja elektros smūgio rizika.
- d) **Nenaudokite maitinimo laido ne pagal paskirtį, t. y. neneškite prietaiso paėmę už laido, nekabinkite prietaiso už laido, netraukite už jo, norėdami išjungti kištuką iš rozetės. Laidą klokite taip, kad jo neveiktų karštis, jis neišsitemptų alyva ir jo nepažeistų aštrios detalės ar judančios prietaiso dalys.** Pažeisti arba susipynę laidai gali tapti elektros smūgio priežastimi.
- e) **Jei su elektriniu įrankiu dirbate lauke, naudokite tik tokius ilginimo kabelius, kurie tinka lauko darbams.** Naudojant lauko darbams pritaikytus ilginimo kabelius, sumažinamas elektros smūgio pavojus.
- f) **Jei su elektriniu įrankiu neišvengiamai reikia dirbti drėgnoje aplinkoje, naudokite žeminimo grandinės pertraukiklį.** Naudojant žeminimo grandinės pertraukiklį, sumažėja elektros smūgio pavojus.

3) ŽMONIŲ SAUGA

- a) **Būkite atidūs, sutelkite dėmesį į tai, ką Jūs darote ir, dirbdami su elektriniu įrankiu, vadovaukitės sveiku protu. Nedirbkite su prietaisu, jei esate pavargę arba vartojote narkotikus, alkoholį ar medikamentus.** Akimirksnio neatidumas naudojant prietaisą gali tapti rimtu sužalojimų priežastimi.
- b) **Naudokite asmenines apsaugos priemones ir visuomet užsidėkite apsauginius akinius.** Naudojant asmenines apsaugos priemones, pvz., respiratorių ar apsauginę kaukę, neslystančius batus, apsauginį šalną, klausos apsaugos priemones ir kt., rekomenduojamas dirbant su tam tikros rūšies įrankiais, sumažėja rizika susižeisti.
- c) **Saugokitės, kad neįjungtumėte prietaiso atsitiktinai. Prieš prijungdami elektrinį įrankį prie elektros tinklo ir/arba akumuliatoriaus, prieš pakeldami ar nešdami įsitikinkite, kad jis yra išjungtas.** Jeigu nešdami elektrinį įrankį pirštą laikysite ant jungiklio arba prietaisą įjungsitė į elektros tinklą, kai jungiklis yra įjungtas, gali įvykti nelaimingas atsitikimas.
- d) **Prieš įjungdami prietaisą pašalinkite reguliavimo įrankius arba veržlių raktus.** Prietaiso besisukančioje dalyje esantis įrankis ar raktas gali tapti sužalojimų priežastimi.

- e) **Nepervertinkite savo galimybių. Dirbdami atsistokite patikimai ir visada išlaikykite pusiausvyrą.** Patikima stovėseną ir tinkama kūno laikysena leis geriau kontroliuoti prietaisą netikėtose situacijose.
 - f) **Dėvėkite tinkamą aprangą. Nedėvėkite plačių drabužių ir papuošalų. Saugokitė plaukus ir drabužius nuo besisukančių elektrinio įrankio dalių.** Laisvus drabužius, papuošalus bei ilgus plaukus gali įtraukti besisukančios dalys.
 - g) **Jei yra numatyta galimybė prijungti dulkių nusiurbimo ar surinkimo įrenginius, visada įsitikinkite, ar jie yra prijungti ir ar teisingai naudojami.** Naudojant dulkių nusiurbimo įrenginius sumažėja kenksmingas dulkių poveikis.
 - h) **Dažnai naudodami įrankį ir gerai su juo susipažinę pernelyg neatsipalaiduokite ir nepradėkite nepaisyti įrankio saugos principų.** Neatidus veiksmas gali sukelti sunkią traumą per sekundes dalį.
- ## 4) RŪPESTINGA ELEKTRINIŲ ĮRANKIŲ PRIEŽIŪRA IR NAUDOJIMAS
- a) **Neperkraukite prietaiso. Naudokite Jūsų darbui tinkamą elektrinį įrankį.** Su tinkamu elektriniu įrankiu Jūs dirbsite geriau ir saugiau, jei neviršysite nurodyto galimumo.
 - b) **Nenaudokite elektrinio įrankio su sugedusiu jungikliu.** Elektrinis įrankis, kurio nebegalima įjungti ar išjungti, yra pavojingas ir jį reikia remontuoti.
 - c) **Prieš reguliuodami prietaisą, keisdami darbo įrankius ar prieš valydami prietaisą, iš elektros tinklo lizdo ištraukite kištuką ir/arba išimkite akumuliatorių, jeigu jis išimamas.** Ši saugumo priemonė apsaugos jus nuo netikėto prietaiso įsijungimo.
 - d) **Nenaudojamą prietaisą sandėliuokite vaikams ir nemokantiems juo naudotis asmenims neprieinamoje vietoje.** Elektriniai įrankiai yra pavojingi, kai juos naudoja nepatyrę asmenys.
 - e) **Prižiūrėkite elektrinį įrankį ir priedus. Tikrinkite, ar besisukančios prietaiso dalys tinkamai veikia ir niekur neklūva, ar nėra sulūžusių ar šiaip pažeistų dalių, kurios įtakotų prietaiso veikimą.** Prieš vėl naudojant prietaisą pažeistos prietaiso dalys turi būti suremontuotos. Daugelio nelaimingų atsitikimų priežastis yra blogai prižiūrimi elektriniai įrankiai.
 - f) **Pjovimo įrankiai turi būti aštrūs ir švarūs.** Rūpestingai prižiūrėti pjovimo įrankiai su aštriomis pjaunamosiomis briaunomis mažiau stringa ir juos yra lengviau valdyti.
 - g) **Elektrinį įrankį, papildomą įrangą, darbo įrankius ir t. t. naudokite taip, kaip nurodyta šioje instrukcijoje. Taip pat atsižvelkite į darbo sąlygas bei atliekamo darbo pobūdį.** Naudojant elektrinius įrankius ne pagal jų paskirtį galima sukelti pavojingas situacijas.
 - h) **Rankenos ir suėmimo paviršiai turi būti sausi, švarūs, ant jų neturi būti alyvos ir tepalų.** Dėl slidžių rankenų ir suėmimo paviršių negalėsite saugiai išlaikyti ir suvaldyti įrankio netikėtose situacijose.
- ## 5) APTARNAVIMAS
- a) **Prietaisą turi remontuoti tik kvalifikuotas specialistas ir naudoti tik originalias atsargines dalis.** Taip galima garantuoti, jog prietaisas išliks saugus.

DARBŲ SAUGOS NUORODOS DIRBANTIEMS SU SMŪGINIAIS GRĘŽTUVAIS

1) SAUGOS INSTRUKCIJOS VISIEMS DARBAMS

- Gręždami su apkrova naudokite ausų apsaugą.** Dėl triukšmo galima prarasti klausą.
- Naudokite pagalbinę rankeną (-as).** Praradus kontrolę galima susižeisti.
- Kai yra rizika, kad dirbant pjovimo priedas ar tvirtinimo detalės gali prisiliesti prie paslėptų laidų ar paties įrankio maitinimo laido, laikykite elektrinį įrankį už izoliuotų laikymo paviršių.** Pjovimo prieduose ar tvirtinimo detalėse yra laidų, kuriais teka srovė, galinti sukelti elektros smūgį.

2) SAUGOS INSTRUKCIJOS, NAUDOJANT ILGUS GRAŽTUS

- Niekada nenaudokite didesnio nei didžiausias grąžo gręžimo greitis.** Esant didesniam greičiui, grąžtas gali sulinkti, jei jam bus leidžiama laisvai sukstis, nesiliečiant prie ruošinio, dėl to galima susižaloti.
- Visada pradėkite gręžti mažu greičiu ir stenkitės, kad grąžtas liestų ruošinį.** Esant didesniam greičiui, grąžtas gali sulinkti, jei jam bus leidžiama laisvai sukstis, nesiliečiant prie ruošinio, dėl to galima susižaloti.
- Spauskite grąžtą tik tiesia linija ir nespauskite per stipriai.** Grąžtas gali sulūžti, tuomet prarasite kontrolę ir galite susižaloti.

BENDROJI DALIS

- Šį prietaisą turėtų naudoti tik asmenys, kuriems 16 ir daugiau metų
- Prieš reguliuojant prietaisą arba keičiant darbo įrankius, ištraukite kištuką iš el. tinklo lizdo**
- Naudodami ilginamuosius kabelius atkreipkite dėmesį į tai, kad kabelis būtų iki galo išvyniotas ir būtų pritaikytas 16 A elektros srovei
- Draudžiama apdirbti medžiagas, kurių sudėtyje yra asbesto** (asbestos pasižymi vėžį sukeliančiu poveikiu)
- Kai kurių medžiagų, kaip antai dažų, kurių sudėtyje yra švino, kai kurių medžių rūšių medienos, mineralų ir metalo dulkės gali būti kenksmingos (kontaktas su šiomis dulkėmis arba įkvėptos dulkės gali sukelti operatoriui arba šalia esantiems žmonėms alergines reakcijas ir/arba kvėpavimo sistemos susirgimus); **mūvėkite priešdulkinę puskaukę arba dirbdami naudokite dulkį ištraukimo įrenginį, jei jį galima prijungti**
- Kai kurių rūšių dulkės priskiriamos kancerogeninėms (pvz., ažuolo arba buko medienos dulkės), ypač susimaišiusios su medienos taurinimi naudojamais priedais; **mūvėkite priešdulkinę puskaukę arba dirbdami naudokite dulkį ištraukimo įrenginį, jei jį galima prijungti**
- Vadovaukitės Jūsų šalyje taikomų direktyvų reikalavimais, skirtais medžiagoms, su kuriomis norite dirbti

PRIEŠ EKSPLOATACIJĄ

- Visada patikrinkite, ar elektros tinklo įtampa sutampa su įtampa dydžiu, nurodytu prietaiso vardinėje lentelėje
- Saugokite, kad nepažeistumėte prietaiso į ruošinyje esančius varžtus, vinis ir pan; prieš pradėdami darbą juos pašalinkite
- Naudodami tam skirtus paieškos prietaisus, patikrinkite, ar gręžimo vietoje nėra paslėptų komunalinių tinklų vamzdžių, arba pasikvieskite į pagalbą vietinius komunalinių paslaugų tiekėjus** (kontaktas su elektros laidais gali sukelti gaisro bei elektros smūgio pavojų; pažeidus dujotiekio vamzdį, gali

įvykti sproginimas; pažeidus vandentiekio vamzdį, galima pridaryti daugybę nuostolių bei sukelti elektros smūgio pavojų)

- Saugiai laikykite tvirtinamą dirbinį** (dirbinį, kuris segamas ar kalamas kabų kalimo įrankiais, saugiau laikyti spaustuviu nei ranka)
- Niekada nenaudokite įrankio, jei laidas pažeistas; jį reikia pakeisti specialiu laidu remonto įmonėje.

PIEDIAI

- SKIL gali garantuoti nepriekaištingą prietaiso veikimą tik tuo atveju, jei naudojama originali papildoma įranga ir priedai
- Leidžiama naudoti tik tokius įrankius, kurių maksimalus leistinas apsisukimų skaičius yra ne mažesnis, nei maksimalus Jūsų prietaiso sūkių skaičius

EKSPLOATACIJA

- Pasirūpinkite, kad maitinimo kabelis nebūtų arti besisukančių prietaiso dalių
- Netikėtai užstrigus grąžtui (atsiranda pavojingos reakcijos jėgos), tuojau pat išjunkite prietaisą
- Užstrigus grąžtui (ypač gręžiant metalą) dėl prietaiso sukimo momento atsiranda reakcijos jėgos, todėl dirbdami; **visuomet naudokite pagalbinę rankeną G** bei patikimai stovėkite
- Atsiradus mechaninio ar elektrinio pobūdžio trukdžiams, tuojau pat išjunkite prietaisą ir ištraukite kištuką iš elektros tinklo lizdo
- Jei dirbant bus pažeistas ar nutrauktas kabelis, būtina neliečiant kabelio tuojau pat ištraukti kištuką iš elektros tinklo lizdo

PO EKSPLOATACIJOS

- Prieš padėdami prietaisą jį išjunkite ir palaukite, kol visos besisukančios jo dalys visiškai sustos

ANT PRIETAISO ESANČIŲ SIMBOLIŲ REIKŠMĖS

- Prieš naudodami įrankį perskaitykite instrukcijų vadovą
- Dviguba izoliacija (įžeminimo laido nereikia)
- Nemeskite prietaisus į buitinių atliekų konteinerius

NAUDOJIMAS

- Įjungimas/išjungimas ⑥
- Jungiklio fiksavimas ilgalaikiam darbui ⑦
- Greičio reguliavimas, švelniai pradedant gręžimą ⑧
- Maksimalaus sūkių skaičiaus reguliavimas ⑨
- Ratuku C arba galima parinkti norimą maksimalų sūkių skaičių
 - įjunkite prietaisą
 - užfiksuoti jungiklį
 - ratuku C parinkti maksimalų sūkių skaičių
- Mechaninis greičių perjungimas ⑩
 - perjungiklį E nustatykite norimam greičiui
- ! greičių perjungiklį leidžiama naudoti tik esant mažems variklio sukiamis**
 - 1 = MAŽAS GREITIS
 - didelis sukimo momentas
 - skirtas didelio skersmens skylėms gręžti
 - 2 = DIDELIS GREITIS
 - žemas sukimo momentas
 - skirtas mažo skersmens skylėms gręžti
- Sukimosios kryties perjungiklis ⑪
 - kol šis perjungiklis neužsifiksavo kairėje arba dešinėje padėtyje, negalėsite nuspausti jungiklio A ②
- ! sukimosios kryptį perjungti tik prietaisui visiškai sustojus**

- Normalus gręžimas be smūginis gręžimas ⑫
! režimus keisti galite tik prietaisui neveikiant kai elektros laido kištukas yra ištrauktas iš tinklo rozetės
- Antgalių pakeitimas ⑬
- darbo antgalį įstatykite į gręžimo patroną kiek galima giliau
! nenaudokite antgalių su pažeistu kotu
- Gręžimo gylio nustatymas ⑭
- Prietaiso laikymas ir valdymas ⑮
- **visuomet naudokite pagalbines rankenas G** (tvirtinti, kaip parodyta pav.)
! dirbdami laikykite prietaisą už pilkos spalvos suėmimo vietos(-ų)
- ventiliacines angas laikykite neuždengtas
- nespauskite įrankį pernelyg stipriai; tegul įrankį dirba už Jus

NAUDOJIMO PATARIMAI

- Naudokite tinkamus darbo antgalius ⑯
! naudokite tik aštrius antgalius
- Gręždami betoną arba akmenį, pastoviai ir tolygiai spauskite grąžtą
- Gręžiant metalą
- jei reikia gręžti didelio skersmens skylę, prieš tai išgręžkite mažą skylutę
- retkarčiais patepkite grąžtą alyva
- Medžio gręžimas be atplaišų ⑰
- Mūro sienos gręžimas be dulkių ⑱
- Lubų gręžimas be dulkių ⑲
- Plytelių gręžimas be įskilimų ⑳
- Daugiau informacijos rasite internete www.skil.com

PRIEŽIŪRA / SERVISAS

- Šis įrankis neskirtas profesionaliam naudojimui
- Periodiškai valykite prietaisą ir kabelį (ypač ventiliacines angas H ②)
! prieš valydami ištraukite kištuką iš elektros tinklo izdo
- Jeigu prietaisas, nepaisant gamykloje atliekamo kruopštaus gamybos ir kontrolės proceso, vis dėlto sugestų, jo remontas turi būti atliekamas įgaliotose SKIL elektrinių įrankių remonto dirbtuvėse
- **neišardytą** prietaisą kartu su pirkimo čekiu siųskite tiekėjui arba į artimiausią SKIL firmos įgaliotą elektros prietaisų techninio aptarnavimo tarnybą (adresus bei atsarginių dalių brėžinius rasite www.skil.com)
- Turėkite omeny, kad garantija netaikoma, jei gedimas atsiranda dėl perkrovos ar netinkamo naudojimo (dėl SKIL garantijos sąlygų žr. www.skil.com arba kreipkitės į jus aptarnaujančių prekybos atstovą)

APLINKOSAUGA

- **Nemeskite elektrinių įrankių, papildomos įrangos ir pakuotės į buitinių atliekų konteinerius** (galioja tik ES valstybėms)
- pagal ES Direktyvą 2012/19/EG dėl naudotų elektrinių ir elektroninių prietaisų atliekų utilizavimo ir pagal vietinius valstybės įstatymus atitarnavę elektriniai įrankiai turi būti surenkami atskirai ir gabenami į antrinių žaliavų tvarkymo vietas, kur jie turi būti sunaikinami ar perdirdami aplinkai nekenksmingu būdu

- apie tai primins simbolis ⑤, kai reikės išmesti atitarnavusį prietaisą

TRIUŠMINGUMAS / VIBRACIJA

- Išmatuotas pagal EN 60745, šio instrumento garso slėgio lygis yra 94,2 dB(A), garso galios lygis 105,2 dB(A) (neapibrėžtis K = 3 dB), vibracija * (triacio vektorius suma; neapibrėžtis K = 1,5 m/s²)
*** gręždami metalo < 2,5 m/s²**
*** gręžiant betoną smūginiu režimu 11,1 m/s²**
- Vibracijos sklaidos lygis išmatuotas pagal standarte EN 60745 išdėstytus standartizuoto bandymo reikalavimus; ši vertė gali būti naudojama vienam įrankiui palyginti su kitu bei išankstiniams vibracijos poveikiui įvertinti, kai įrankis naudojamas paminėtais būdais
- naudojant įrankį kitokiais būdais arba su kitokiais bei netinkamai prižiūrimais priedais, gali žymiai **padidėti** poveikio lygis
- laikotarpiams, kai įrankis išjungtas arba yra įjungtas, tačiau juo nedirbama, gali žymiai **sumažėti** poveikio lygis
! apsisaugokite nuo vibracijos poveikio prižiūredami įrankį ir jo priedus, laikydami rankas šiltai ir derindami darbo ciklus su pertraukėlėmis

MK

Вибрациска

дупчалка

6745

УПАТСТВО

- Овој алат е наменет за вибрациска дупчење во цигла како и за дупчење во дрво, метал, керамика и пластика
- Овој алат не е наменет за професионална употреба
- Внимателно прочитајте го и зачувајте го ова упатство за ракување ③

ТЕХНИЧКИ ПОДАТОЦИ ①

ЕЛЕМЕНТИ НА АЛАТОТ ②

- A** Прекинувач за вклучување/исклучување и контрола на брзината
- B** Копче за блокирање на прекинувачот
- C** Трналце за контрола на максималната брзина
- D** Прекинувач за менување на насоката на вртење
- E** Прекинувач за избор на брзината
- F** Прекинувач за избор на режимот на дупчење
- G** Дополнителна рачка
- H** Отвори за вентилација

БЕЗБЕДНОСТ

ОПШТИ ПРЕДУПРЕДУВАЊА ЗА БЕЗБЕДНОСТ НА ЕЛЕКТРИЧНИТЕ АЛАТИ

⚠ ПРЕДУПРЕДУВАЊЕ Прочитајте ги сите безбедносни предупредувања, упатства, слики и спецификации што се обезбедуваат со овој алат. Непочитувањето на сите упатства подолу може да доведе до електричен удар, пожар и/или сериозна повреда..

Чувајте ги сите предупредувања и упатства за понатамошно упатување.

Поимот “електричен алат”, кој се користи во понатамошниот текст, се однесува на вашиот електричен алат (со приклучен кабел) и на електрични алати со погон на батерии (без приклучен кабел).

1) БЕЗБЕДНОСТ НА РАБОТНОТО МЕСТО

- a) **Одржувајте го вашето работно место чисто и уредно.** Неуреден или темен работен простор може да предизвикаат незгоди.
- b) **Немојте да работите со уредот во средина во која има опасност од експлозија, во која има запалливи течности, гасови и прашина.** Електричните алати произведуваат искри кои можат да запалат прашина или пареа.
- c) **За време на употребата на електричниот алат, децата и останатите лица држете ги подалеку од местото на работите.** Одвркање, би можеле да изгубите контрола врз уредот.

2) ЕЛЕКТРИЧНА СИГУРНОСТ

- a) **Утинач мора да одговара на приклучокот. Никако не смее да се прават измени на штекерот. Не користете адаптерски штекер заедно со уредот кој е заштитно заземјен.** Не променети штекери и соодветни приклучоци го намалуваат ризикот од електричен удар.
- b) **Избегнувајте допир на телото со заземјени површини, како што се цевки, радијатори, рерни и фрижидери.** Постои зголемена опасност од струен удар, доколку Вашето тело е заземјено.
- c) **Чувајте го уредот подалеку од дожд и влага.** Продирањето на вода во електричниот уред ја зголемува опасноста од струен удар.
- d) **Не злоупотребувајте го приклучниот кабел за носење, бесење на уредот или за извлекување на штекерот од мрежниот приклучок.** Чувајте го кабелот подалеку од топлина, масло, остри рабови или деловите на апаратот кои се движат. Оштетени или заплеткани кабли ја зголемуваат опасноста од струен удар.
- e) **Кога го употребувате полначот надвор, користете продолжен кабел кој е соодветен за употреба на отворен простор.** Примената на продолжен кабел соодветен за работа на отворен простор ја намалува опасноста од струен удар.
- f) **Доколку не може да се избегне работа со електричниот алат во влажна средина, користете прекинувач за струјна заштита при технички проблеми.** Употребата на прекинувачот за струјна заштита при технички проблеми го намалува ризикот од електричен удар.

3) ЛИЧНА ЗАШТИТА

- a) **Бидете внимателни, внимавајте што правите и постапувајте внимателно додена работите со електричниот алат. Не работете со уредот доколку сте уморни или под дејство на дрога, алкохол или ленови.** Еден момент на невнимание при употребата може да доведе до сериозни повреди.
- b) **Носете ја личната заштитна опрема и секогаш носете заштитни очила.** Носењето на личната заштитна опрема, како што е маската за прашина,

безбедносната облека која не се лизга, заштитен шлем или штитник за слух, зависно од видот и примената на електричниот алат, ја намалува опасноста од повреда.

- c) **Избегнувајте невнимателно вклучување за време на работата. Осигурајте се прекинувачот да биде во “OFF” позиција пред да го ставите штекерот во приклучокот.** Доколку го носите електричниот алат со прстот на прекинувачот или го приклучувате апаратот кој е приклучен со напојување на струја, може да предизвикате незгоди.
 - d) **Пред вклучување на уредот, тргнете ги алатите за подесување или клучот за навртување.** Алатот или клучот кој се наоѓа во вртливиот дел на уредот, може да предизвика незгода.
 - e) **Не ги преценувајте своите способности. Завземете сигурен и стабилен став и во секој момент одржувајте рамнотежа.** На тој начин можете подобро да го контролирате уредот во неочекувани ситуации.
 - f) **Носете соодветна облека. Не носете широка облека или накит. Косата и алиштата треба да бидат подалеку од подвижните делови.** Широката облека, накитот или долгата коса може да се закачат за подвижните делови.
 - g) **Доколку може да се монтираат направи за вшмукување и фаќање прашина, проверете дали се вклучени и дали можат исправно да се користат.** Примената на овие направи ја намалува опасноста од прашината.
 - h) **Не дозволувајте искуството стенкато со честа употреба на алатите да ве направи спокојни и да ги игнорирате безбедносните принципи при неговото користење.** Невнимателно движење може да предизвика сериозни повреди во дел од секундата.
- ### 4) ВНИМАТЕЛНА УПОТРЕБА И РАКУВАЊЕ СО ЕЛЕКТРИЧНИТЕ АЛАТИ
- a) **Не го преоптеретувајте уредот.** При вашата работа користете го предвидениот електричен алат за таа употреба. Со соодветниот електричен алат ќе работите подобро и посигурно во наведената функционална област.
 - b) **Не користете електричен алат чиј прекинувач е неисправен.** Електричниот алат кој повеќе не може да се вклучува и исклучува е опасен и мора да се поправи.
 - c) **Исклучете го електричниот алат од струја и/или извадете го комплетот со батерии, ако се одделува, пред да правите ненакви прилагодувања, менуваат дополнителна опрема или да го складирате електричниот алат.** Со овие мерки на внимателност ќе се избегне невнимателното вклучување на уредот.
 - d) **Тргнете го електричниот алат кој не го користите од допирот на децата.** Не допуштајте работа со уредот на лица кои не се запознаени со него или кои го немаат прочитано ова упатство. Електричните алати се опасни доколку со нив работат неискусни лица.
 - e) **Одржувајте го електричниот алат и дополнителната опрема. Имајте контрола онолу тоа дали движечните делови на уредот работат беспрекорно и дали не се заглавени, дали**

деловите се скршени или оштетени до таа мерка што не може да се обезбеди функционирање на уредот. Пред примената, овие оштетени делови треба да се поправат. Причина за многу незгоди е лошо одржувањето на електричниот алат.

- f) **Алатите за сечење одржувајте ги остри и чисти.** Внимателно одржувањето на алатите за сечење со остри очтрици помалку ќе се заглавуваат и со нив работата ќе биде полесна.
- g) **Електричниот алат, прибор, работни алати итн., треба да ги користите според овие упатства, и на начин кој е опишан за соодветниот тип на уред. При тоа, земете ги предвид работните услови и работата која се извршува.** Употребата на електричните алати за други цели кои не се предвидени, може да предизвика опасни ситуации.
- h) **Рачните и површините за држење одржувајте ги суви, чисти и неизмастени.** Рачките и површините за држење што се лизгаат не овозможуваат безбедно ракување и контрола на алатот во неочекувани ситуации.
- 5) **СЕРВИСИРАЊЕ**
 - a) **Електричниот алат сервисирајте го кај квалификувано лице кое користи само идентични резервни делови.** Со ова се обезбедува безбедно одржување на електричниот алат.

БЕЗБЕДНОСНИ УПАТСТВА ЗА ВИБРИРАЧКИ ДУПЧАЛНИ

- 1) **БЕЗБЕДНОСНО УПАТСТВО ЗА СИТЕ ОПЕРАЦИИ**
 - a) **Носете штитници за уши при ударно дупчење.** Изложеноста на бучава може да предизвика губење на слухот.
 - b) **Користете ја дополнителната рачка(и).** Губење на контрола може да предизвика лична повреда.
 - c) **Држете го електричниот апарат на изолираните површини за фаќање при изведување на операција каде додатокот за сечење или спојките може да дојдат во контакт со скриени жици или сопствениот кабел.** Додатоците за сечење или деловите за прицврстување што ќе дојдат во контакт со жица под напон може да ги електрифицираат металните делови на алатот и да предизвикаат електричен удар на операторот.
- 2) **УПАТСТВА ЗА БЕЗБЕДНОСТ КОГА УПОТРЕБУВАТЕ ДОЛГИ ДЕЛОВИ ЗА ДУПЧЕЊЕ**
 - a) **Никогаш не ракувајте со поголема брзина од максимално дозволената за делот за дупчење.** При повисоки брзини, делот може да се свитка ако се дозволи да ротира слободно без контакт со работното парче, што може да резултира со лична повреда.
 - b) **Секогаш започнете со дупчење при мала брзина и со делот за дупчење во контакт со работното парче.** При повисоки брзини, делот може да се свитка ако се дозволи да ротира слободно без контакт со работното парче, што може да резултира со лична повреда.
 - c) **Нанесете притисок само во директна линија со делот и не применувајте прекумерен притисок.** Деловите можат да се свиткаат, предизвикувајќи оштетување или губење на контрола, што може да резултира со лична повреда.

ОПШТИ

- Овој алат не треба да го користат лица под 16 години
- **Обезбедете се алатот да е исклучен од струја пред да вршите било какво подесување или замена на приборот**
- Продолжителниот кабел кој го користите, мора да биде соосема одмотан и безбеден, со капацитет од 16 А
- **Не обработувајте никаков материјал кој содржи азбест** (азбестот важи за предизвикувач на рак)
- Прашната од материјали како боја која содржи олово, некои видови дрво, минерали и метали, може да биде штетна за здравјето (контактот со прашина или нејзиното вдишување може да шредизвика алергии и/или болести на дишните органи за оној кој работи со алатот или луѓето во близина); **носете маска за прашина и работете со правосмукалки доколку можете да ги поврзете**
- Некои видови на прашина се канцерогени (како на пример прашина од даб или бука), особено заедно со адитиви за одржување на дрвото; **носете маска за прашина и работете со правосмукалки доколку можете да ги поврзете**
- Следете ги процедурите на вашата земја за прашина која се јавува како резултат од материјалите со кои работите

ПРЕД УПОТРЕБА

- Секогаш проверувајте напонот да е ист со оној кој е назначен на плочката на алатот
- Избегнувајте оштетувања од штрафови, шајки и други предмети во местото каде работите; тргнете ги пред да почнете со работа
- **Користете соодветни детектори за наоѓање на скриени инсталации или повикајте соодветна компанија за помош** (контактот со електричните линии може да доведе до струен удар; оштетувањата во гасоводна цевка може да резултира со експлозија; пенетрирање во водоводна инсталација може да доведе до оштета на предмети или електричен удар)
- **Зацврстете го материјалот кој го обработувате** (обработка која е зацврстена со стегии или во менгема е побезбедна отколку да ја држите со раце)
- Никогаш не користете го алатот кога кабелот е оштетен; тој мора да се замени со специјално подготвен кабел достапен преку организацијата на услуги.

ПРИБОР

- SKIL може да признае гаранција само доколку е користен оригинален прибор
- Користете само прибор чија дозволена брзина е во најмалата рака еднаква на најголемата брзина при празен од на електричниот алат

ВО ТЕНОТ НА УПОТРЕБАТА

- Кабелот секогаш држете го подалеку од деловите на алатот кои се движат
- Во случај на ненадејна блокада на бургијата, со создавање на повратни сили кај алатот, веднаш треба да го исклучите алатот
- Внимавајте на создадените сили кај алатот, за време на блокадата (особено при дупчење метал); **алатот секогаш да се држи за страничната дршка G** и да се завземе сигурен став
- Во случај да дојде до електричен или механички дефект, веднаш исклучете го алатот и исклучете го од приклучокот
- Ако кабелот се оштети или пресече за време на работата, веднаш исклучете го и не го допирајте

ПО УПОТРЕБА

- Кога ќе ја завршите работата со алатот, исклучете го моторот и проверете дали сите подвижни делови се застанати

ОБЈАСНУВАЊЕ ЗА СИМБОЛИТЕ ЗА АЛАТОТ

- ③ Пред употреба прочитајте го прирачникот за употреба
- ④ Двојна изолација (не е потребна заземна жица)
- ⑤ Не фрлајте го алатот заедно со другиот отпад од домаќинството

УПОТРЕБА

- Вклучено/Исклучено ⑥
- Блокирање на прекинувачот за постојана употреба ⑦
- Закочување на прекинувачот за лесен старт ⑧
- Контрола на максималната брзина ⑨
Со тркалото С максималната брзина може да се приспособи од ниска до висока
- вклучете го алатот
- блокирајте го прекинувачот
- вртете го тркалото С за избор на максимална брзина
- Избор на механички запченик ⑩
- поставете го селекторот Е на саканата брзина
! вклучете го изборот на брзини додека алатот работи бавно
1 = ПОНИСКА БРЗИНА
- голем момент на вртење
- за дупчење отвори со голем дијаметар
- за вибрациски навој
2 = ПОВИСОКА БРЗИНА
- низок момент на вртење
- за дупчење отвори со мал дијаметар
- Промена на насоката на ротација ⑪
- ако левата/десната позиција не легнат како што треба, прекинувачот А ② нема да може да стартува
! менувајте ја насоката на ротацијата само кога алатот се наоѓа во целосно мирување
- Нормално дупчење наспроти вибрациско дупчење ⑫
! бирајте го режимот на дупчење само кога алатот е исклучен и приклучокот е изваден од струја
- Промена на бургиите ⑬
- вметнете ја бургијата најдлабоко што можете во држачот
! не употребувајте бургии со оштетена дршка
- Приспособување на длабочината на дупчењето ⑭
- Држење и насочување на алатот ⑮
- алатот секогаш држете го за страничната дршка G (може да се приспособува, како на цртежот)
! додека работите, секогаш држете го алатот за местото (местата) кое (кои) се означени со сива боја
- отворите за ладење држете ги отворени
- не притискајте премногу со алатот; дозволете тој сам да работи

СОВЕТИ ЗА ПРИМЕНА

- Користете соодветни бургии ⑯
! употребувајте само остри бургии
- За дупчење во бетон или камен, потребен е рамномерен притисок на дупчалката
- При дупчење во метал
- најпрво издупчете помала дупка, кога сакате да издупчите поголема дупка
- бургијата подмачкувајте ја со масло од време на време
- Дупчење на дрво без разлистување ⑰
- Дупчење на дрво без прашина ⑱
- Дупчење на таван без прашина ⑲
- Дупчење на плочки без лизгање ⑳
- За повеќе информации видете на www.skil.com

ОДРЖУВАЊЕ/СЕРВИСИРАЊЕ

- Овој алат не е наменет за професионална употреба
- Алатот и кабелот секогаш да се одржуваат чисти (особено отворите за ладење H ②)
! пред чистење извадете го алатот од приклучокот
- Доколку алатот и покрај внимателното работење и контрола некогаш откаже, поправката мора да ја изврши некој овластен SKIL сервис за електрични алати
- во случај на примедба, испратете го алатот **нерасклопен**, заедно со сметкопотврдата, до вашиот продавач или најблискиот SKIL сервис (адресите се наведени на www.skil.com)
- Имајте предвид дека оштетувањето настанато заради преоптоварување или неправилно ракување со алатот ја отфрла гаранцијата (видете на www.skil.com или прашајте го продавачот за условите на гаранцијата на SKIL)

ЗАШТИТА НА ЖИВОТНАТА СРЕДИНА

- **Не се ослободувајте од електрични алати, уреди или амбалажа преку нивно фрлање во домашното губре** (само за земјите на ЕУ)
- според Европската Директива 2012/19/ЕС за ослободување од електрична и електронска опрема и нејзина имплементација во согласност со националните закони, електричните алати кои го достигнале крајот на својот животен век мора да бидат собрани посебно и да бидат вратени во соодветен објект за рециклирање
- симболот ⑤ ќе ве потсетува на ова кога ќе дојде време алатот да го фрлите

БУЧАВА / ВИБРАЦИИ

- Измерено во согласност со EN 60745, нивото на звучен притисок на оваа алатка е 94,2 dB(A) и нивото на звучна моќност 105,2 dB(A) (несигурност K = 3 dB), и вибрацијата * (триакс векторна сума; несигурност K = 1.5 m/s²)
*** при дупчење во метал < 2,5 m/c²**
*** при вибрациско дупчење во бетон 11,1 m/c²**

- Нивото на емитирање на вибрации кое е наведено на задниот дел на ова упатство е измерено во согласност со стандардизираниот тест даден во EN 60745; може да се користи за да се спореди еден алат со друг, и како првична оценка за изложеноста на вибрации кога се користи алатот за споменатите примени
 - користењето на алатот за разни примени, или со различни или неправилно чувани делови, може да доведе до значајно **зголемување** на нивото на изложеност
 - кога алатот е исклучен или кога алатот е вклучен но не врши некаква работа, може да дојде до значително **намалување** на нивото а изложеност
- ! **заштитете се од ефектите на вибрациите преку одржување на алатот и неговите делови, одржување на топлината во вашите раце, и организирање на вашата работа**

AL

Trapano me goditje

6745

HYRJE

- Kjo pajisje është e projektuar për shpim me goditje në tulla si dhe shpime në dru, metal, qeramikë dhe plastikë
- Kjo vegël nuk është e projektuar për përdorim profesional
- Lexoni dhe ruani këtë manual të përdorimit ③

TË DHËNAT TEKNIKE ①

ELEMENTET E VEGËL ②

- A Çelësi për ndezje/fikje dhe kontrolli i shpejtësisë
- B Butoni për bllokimin e çelësit
- C Rrota për kontrollin e shpejtësisë maksimale
- D Çelësi për ndryshimin e drejtimit ose të rrotullimit
- E Zgjedhja e marsheve
- F Çelësi për zgjedhjen e funksionit të shpimit
- G Doreza ndihmëse
- H Të çarar e ajrosjes

SIGURIA

PARALAJMËRIME TË PËRGJITHSHME TË SIGURISË PËR PAJISJET ELEKTRIKE

PARALAJMËRIM: Lexoni të gjitha paralajmërimet, udhëzimet, ilustrimet dhe specifikimet e dhëna me këtë mjet pune. Mosrespektimi i të gjitha udhëzimeve të renditura më poshtë mund të rezultojë në goditje elektrike, zjarr dhe/ose dëmtime të rënda.

Ruani të gjitha paralajmërimet dhe udhëzimet për referencë në të ardhmen.

Termi "pajisje elektrike" në paralajmërimet i referohet pajisjes elektrike që përdoret nga prizja (me kablo) ose pajisjes elektrike me bateri (pa kablo).

1) SIGURIA E ZONËS SË PUNËS

- a) **Mbajeni zonën e punës të pastër dhe të ndriçuar mirë.** Zonat e çrregullta ose të errëta janë një ftesë për aksidente.

- b) **Mos i përdorni pajisjet elektrike në situata me mundësi shpërthimi, si në prani të lëngjeve, gazeve ose pluhurave të djegshëm.** Pajisjet elektrike shkaktojnë shkëndija që mund të ndezin pluhurat ose avujt.
 - c) **Mbajini fëmijët dhe personat e tjerë larg gjatë përdorimit të veglës së punës.** Tërheqja e vëmendjes mund të shkaktojë humbjen e kontrollit.
- #### 2) SIGURIA ELEKTRIKE
- a) **Spinat e veglës së punës duhet të përputhen me prizën. Mos modifikoni kurrë spinën në asnjë mënyrë. Mos përdorni asnjë spinë përshtatëse me veglat e punës me tokëzim.** Spinat e pamodifikuara dhe prizat përshtatëse do të zvogëlojnë rrezikun e goditjes elektrike.
 - b) **Shmangni kontaktin trupor me sipërfaqe të tokëzuara si tuba, radiatorë, soba dhe frigoriferë.** Ka një rrezik më të madh të goditjeve elektrike nëse trupi është i tokëzuar.
 - c) **Mos ekspozoni veglat e punës në shi ose në kushte me lagështi.** Uji që hyn në veglën e punës do të rritë rrezikun e goditjes elektrike.
 - d) **Mos abuzoni me kordonin. Mos e përdorni kurrë kordonin për transportin, tërheqjen ose heqjen e spinës së veglës së punës. Mbajeni kordonin larg nga nxehtësia, vaji, anët e mprehta ose pjesët që lëvizin.** Kordonët e dëmtuar ose e bllokuar rrisin rrezikun e goditjes elektrike.
 - e) **Kur përdorni një vegël pune në mjedise të jashtme, përdorni një kordon zgjatues të përshtatshëm për përdorim në mjedise të jashtme.** Përdorimi i një kordon të përshtatshëm për përdorime në mjedise të jashtme zvogëlon rrezikun e goditjes elektrike.
 - f) **Nëse përdorimi i veglës së punës në një vend me lagështi është i pashmangshëm, përdorni një automat qarku me shkarkesë me tokëzim.** Përdorimi i një automati me shkarkesë me tokëzim zvogëlon rrezikun e goditjes elektrike.
- #### 3) SIGURIA PERSONALE
- a) **Qëndroni në gatishmëri, shikoni se çfarë po bëni dhe përdorni gjykimin kur përdorni një vegël pune. Mos e përdorni një vegël pune kur jeni i lodhur ose nën ndikimin e ilaçeve, alkoolit ose mjekimit.** Një moment humbje e vëmendjes gjatë përdorimit të veglave të punës mund të shkaktojë dëmtime të rënda personale.
 - b) **Përdorni pajisje personale mbrojtëse. Mbani gjithmonë pajisje për mbrojtjen e syve.** Pajisjet mbrojtëse si maska kundër pluhurit, këpucët që nuk rrëshqasin, kaskat ose pajisjet për mbrojtjen e veshëve për kushtet përkatëse do të zvogëlojnë dëmtimet personale.
 - c) **Parandaloni ndezjen e rastësishme. Sigurohuni që çelësi është në pozicionin fikur para se të lidhni burimin e energjisë dhe/ose baterinë, para se të merrni ose të transportoni pajisjen.** Transportimi i veglave të punës me gishtin në çelës ose aktivizimi i veglave të punës që kanë çelësin të ndezur është një ftesë për aksidente.
 - d) **Hiqni çdo çelës ose çelës përshtatës para ndezjes së veglës së punës.** Një çelës i lënë i lidhur me një pjesë rrotulluese të veglës së punës mund të shkaktojë dëmtime personale.
 - e) **Mos u zgjasni. Mbani një vendosje të mirë të**

këmbëve dhe një ekuilibër të mirë në çdo moment. Kjo gjë bën të mundur një kontroll më të mirë të veglës së punës në situata të papritura.

- f) **Vishuni në mënyrën e duhur. Mos vishni veshje të gjera ose bizhuteri. Mbani flokët, veshjet dhe dorashkat larg nga pjesët lëvizëse.** Veshjet e gjera, bizhuteritë ose flokët e gjatë mund të kapen nga pjesët në lëvizje.
- g) **Nëse janë ofruar pajisje për lidhjen e pajisjeve të mbledhjes dhe nxjerrjes së pluhurave, sigurohuni që ato të jenë të lidhura dhe të përdoren si duhet.** Përdorimi i mbledhjes së pluhurave mund të zvogëlojë reziqet në lidhje me pluhurat.
- h) **Mos lejoni që familjarizimi i fituar nga përdorimi i shpeshtë i veglave t'ju lejojë të tregoheni të vetëkënaqur dhe të shpërfillni parimet e sigurisë për pajisjet.** Një veprim i pakujdesshëm mund të shkaktojë dëmtime të rënda në më pak se një sekondë.
- 4) **PËRDORIMI DHE KUJDESI PËR VEGLËN E PUNËS**
- a) **Mos ushtroni forcë mbi veglën e punës. Përdorni veglën e punës të duhur për përdorimin tuaj.** Vegla e punës e duhur do të realizojë një punë më të mirë dhe më të sigurt dhe me shpejtësinë që ajo është e projektuar.
- b) **Mos përdorni veglën e punës nëse çelësi nuk e ndez apo e fik.** Çdo vegël pune që nuk mund të kontrollohet me anë të çelësit është e rrezikshme dhe duhet të riparohet.
- c) **Shkëputni spinën nga burimi i energjisë dhe/ose baterinë nga vegla e punës para se të bëni rregullime të tjera, të ndryshoni aksesorët ose të ruani veglat e punës.** Këto masa parandaluese të sigurisë ulin rrezikun e ndezjes aksidentale të veglës së punës.
- d) **Mbani veglat e punës larg fëmijëve dhe mos lejoni personat e pamësuar me veglën e punës ose këto udhëzime për përdorimin e pajisjes.** Veglat e punës janë të rrezikshme në duart e përdoruesve të patrajnuar.
- e) **Mirëmbani veglat e punës. Kontrolloni për mospërshtatje ose bllokim të pjesëve lëvizëse, thyerje të pjesëve dhe gjendje të tjera që mund të ndikojnë në funksionimin e veglës së punës. Nëse dëmtohet, riparojeni veglën e punës para përdorimit.** Shumë aksidente shkaktohen nga veglat e punës jo të mirëmbajtura si duhet.
- f) **Mbajni pajisjet prerëse të pastra dhe të mprehta.** Pajisjet e prerjes të mirëmbajtura dhe me anë të mprehta kanë më pak mundësi për t'u bllokua dhe janë më të lehta për t'u kontrolluar.
- g) **Përdorni veglat e punës, aksesorët dhe puntot, etj. në përputhje me këto udhëzime, duke marrë parasysh kushtet e punës dhe punën që do të kryhet.** Përdorimi i veglave për përdorime të ndryshme nga ato të përcaktuara mund të shkaktojë reziqe.
- h) **Mbajni dorezat dhe sipërfaqet ku mbaheni të thata, të pastra dhe pa vajra ose graso.** Dorezat dhe sipërfaqet ku mbaheni, kur janë të rrëshqitshme, nuk ju lejojnë të manexhoni dhe ta kontrolloni në mënyrë të sigurt pajisjen në situata të papritura.
- 5) **SHËRBIMI**
- a) **Shërbimi i veglës së punës duhet të kryhet nga një person i kualifikuar për riparimet duke përdorur vetëm pjesë ndërrimi identike.** Kjo gjë do të sigurojë ruajtjen e sigurisë së veglave të punës.

UDHËZIMET E SIGURISË PËR TRAPANOT ME GODITJE

1) UDHËZIMET E SIGURISË PËR TË GJITHA VEPRIMET

- a) **Vishni mbrojtëse veshësh kur bëni shpim me goditje.** Ekspozimi ndaj zhurmës mund të shkaktojë humbje dëgjimi.
- b) **Përdorni dorezën(at) ndihmëse.** Humbja e kontrollit mund të shkaktojë lëndime.
- c) **Mbajeni mjetin e punës duke kapur sipërfaqet e kapjes kur bëni një punë aty ku aksesori i prerjes ose shtrënguesit mund të kontaktojnë me kablo të fshehur ose me kordonin e tij.** Aksesori i prerjes ose shtrënguesit që kontaktojnë një tel me korrent mund të ekspozojnë pjesët metalike të mjetit në korrent dhe t'i japin përdoruesit një goditje elektrike.

2) UDHËZIMET E SIGURISË KUR PËRDORNI PUNTO TË GJATA

- a) **Asnjëherë mos e përdorni në shpejtësi më të madhe se shpejtësia maksimale e lejuar e puntos.** Në shpejtësi më të larta, ka të ngjarë që puntotja të përkulet nëse lihet të rrotullohet lirshëm pa pasur kontakt me sipërfaqen e punës, duke shkaktuar kështu lëndime.
- b) **Gjithmonë filloni të shpini në shpejtësi të ulët me majën e puntos në kontakt me sipërfaqen e punës.** Në shpejtësi më të larta, ka të ngjarë që puntotja të përkulet nëse lihet të rrotullohet lirshëm pa pasur kontakt me sipërfaqen e punës, duke shkaktuar kështu lëndime.
- c) **Ushtroni presion vetëm në vijë direkte me puntos dhe mos ushtroni presion të tepërt.** Puntot mund të përkulen duke shkaktuar thyerje ose humbje të kontrollit dhe duke shkakuar kështu lëndime.

TË PËRGJITHSHME

- Kjo pajisje nuk duhet të përdoret nga personat nën moshën 16 vjeç
- **Shkëputni gjithmonë spinën nga burimi i energjisë para kryerjes së rregullimeve ose ndryshimeve të aksesorëve**
- Përdorni kordonë të pahapur dhe të sigurt për zgjatime, me një kapacitet 16 amper
- **Mos punoni me materiale që përmbajnë asbest** (asbesti konsiderohet kancerogjen)
- Pluhurat nga materialet si boja me plumb, disa lloje drurësh, mineralesh dhe metalesh mund të jenë të dëmshme (kontakti ose thithja e pluhurave mund të shkaktojë reagime alergjike dhe/ose sëmundje respiratore për përdoruesin ose personat përreth); **mbani një maskë për pluhurat dhe punoni me një pajisje për heqjen e pluhurave kur mund të lidhet**
- Disa lloje pluhurash skanë klasifikuar si kancerogjene (si pluhuri i lisit dhe i ahut) veçanërisht në ndërthurje me lëndët shtesë për kondicionimin e drurit; **mbani një maskë për pluhurat dhe punoni me një pajisje për heqjen e pluhurave kur mund të lidhet**
- Respektoni kërkesat kombëtare në lidhje me pluhurat për materialet me të cilat dëshironi të punoni

PARA PËRDORIMIT

- Kontrolloni gjithmonë që voltazhi i energjisë është i njëjtë me voltazhin e rregulluar në etiketën e veglës
- Shmangini dëmtimet që mund të shkaktohen nga vidat, gozhdët dhe elementet e tjera në materialin e punës; hiqni ato para se të filloni punën
- **Përdorni detektorë përkatës për të gjetur linjat e fshehura të shërbimit ose telefononi kompaninë lokale të shërbimeve për ndihmë** (kontakti me linjat

elektrike mund të shkaktojë zjarr ose goditje elektrike; dëmtimi i një linje gazi mund të shkaktojë një shpërthim; shpimi i një tubi uji do të shkaktojë dëmtim të pronës ose një goditje elektrike)

- **Siguroni materialin e punës** (një material i shtrënguar me një pajisje shtrëngimi ose morsë mbahet në mënyrë më të sigurt se sa me dorë)
- Asnjëherë mos e përdorni mjetin kur kordoni është dëmtuar; ai duhet të ndërrohet me një kordon të përgatitur në mënyrë të veçantë përmes organizatës së shërbimit.

AKSESORËT

- SKIL mund të garantojë funksionimin pa probleme të veglës vetëm kur përdoren aksesoret origjinale
- Përdorni vetëm aksesore me një shpejtësi të lejuar që përshtatet të paktën me shpejtësinë më të lartë pa ngarkesë të pajisjes

GJATË PËRDORIMIT

- Mbjajni kordonin gjithmonë larg nga pjesët lëvizëse të pajisjes
- Nëse puntoja bllokohet papritur (duke shkaktuar një reagim të papritur dhe të rrezikshëm), fikeni menjëherë pajisjen.
- Kini parasysh forcat që ndodhin si rezultat i bllokimit (veçanërisht kur shpini në metale); **përdorni gjithmonë doreza ndihmëse G** dhe mbani një pozicionim të sigurt
- Në rast të një defekti elektrik ose mekanik, fikni menjëherë pajisjen dhe hiqni spinën
- Nëse kordoni dëmtohet ose pritet gjatë punës, mos e prekni kordonin por hiqni menjëherë spinën

PAS PËRDORIMIT

- Kur ta largoni pajisjen, fikeni motorin dhe sigurohuni që të gjitha pjesët lëvizëse të kenë ndalur plotësisht

SHPJEGIMI I SIMBOLEVE NË VEGJË

- ③ Lexoni manualin e udhëzimeve para përdorimit
- ④ Izolim i dyfishtë (nuk kërkohet tokëzim)
- ⑤ Mos e hidhni veglën bashkë me materialet e mbetjeve familjare

PËRDORIMI

- Ndezje/Fikje ⑥
- Bllokimi i çelësit për përdorim në vazhdim ⑦
- Kontrolli i shpejtësisë për ndezjen e butë ⑧
- Kontrolli i shpejtësisë maksimale ⑨

Me anë të rrotës C shpejtësia maksimale mund të ndryshohet nga e ulët në e lartë

- ndizni veglën
- bllokoni çelësin
- rrotulloni rrotën C për të zgjedhur shpejtësinë maksimale

- Zgjedhja e marshit mekanik ⑩
- vendosni çelësin e përzgjedhjes E në shpejtësinë e kërkuar

! aktivizoni zgjedhjen e marshit kur pajisja të jetë duke punuar ngadalë

1 = SHPEJTËSI E ULËT

- forca e rrotullimit e lartë
- për shpime në diametra të mëdhenj
- për filetim femër

2 = SHPEJTËSI E LARTË

- forca e rrotullimit e ulët
- për shpime me diametër të vogël

- Ndryshimi i drejtimit të rrotullimit ⑪
- kur është vendosur si duhet në pozicionin majtas/djathtas, çelësi A ② nuk mund të aktivizohet
- ! ndryshoni drejtimin e rrotullimit vetëm kur pajisja të jetë plotësisht e ndaluar**
- Shpimi normal në krahasim me shpimin me goditje ⑫
- ! zgjidhni funksionin e shpimit vetëm kur pajisja të jetë e fikur dhe spina e shkëputur**
- Ndërrimi i puntave ⑬
- futeni puntën sa më shumë në mandrinë
- ! mos i përdorni puntat me një bosht rrotullues të dëmtuar**
- Rregullimi i thellësisë së shpimit ⑭
- Mbjajtja dhe drejtimi i veglës ⑮
- **përdorni gjithmonë dorezën ndihmëse G** (mund të rregullohet sipas ilustrimit)
- ! gjatë punës, mbajeni gjithmonë veglën në zonën(at) e dorezës me ngjyrë gri**
- mbajini të hapura të çarat e ajrimit
- mos ushtroni shumë trysni mbi pajisje; lëreni pajisjen që të punojë për ju

KËSHILLË PËR PËRDORIMIN

- Përdorni puntat e duhura ⑯
- ! përdorni vetëm punto të mprehta**
- Për shpime në beton ose në gur, kërkohet një trysni e vazhdueshme mbi trapano
- Kur shpini metale ferore
- shpini paraprakisht një vrimë të vogël, kur kërkohet një vrimë e madhe
- lubrifikoni herë pas here me vaj puntën e shpimit
- Shpimi pa ashkla në dorë ⑰
- Shpimi pa pluhura në mure ⑱
- Shpimi pa pluhura në tavanë ⑲
- Shpimi në pllaka pa rrëshqitur ⑳
- Për më shumë informacion, shikoni www.skil.com

MIRËMBAJTJA / SHËRBIMI

- Kjo vegël nuk është e projektuar për përdorim profesional
- Mbjajni gjithmonë veglën dhe kordonin të pastër (veçanërisht të çarat e ajrosjes H ②)
- ! shkëputni spinën para pastrimit**
- Nëse pajisja ka defekt pavarësisht kujdesit në prodhim dhe procedurat e provave, riparimi duhet të kryhet nga një qendër e shërbimit pas shitjes për veglat e punës të SKIL
- dërgoni veglën të **çmontuar** së bashku me vërtetimin e blerjes të shitësi ose të qendra më e afërt e shërbimit e SKIL (adresat si dhe diagrami i shërbimit i veglës janë të paraqitura në www.skil.com)
- Kini parasysh se dëmtimet për shkak të mbingarkesës ose manovrimit të papërshtatshëm të veglës janë të përjashtuara nga garancia (për kushtet e garancisë së SKIL vizitoni www.skil.com ose pyetni shitësin tuaj)

MJEDISI

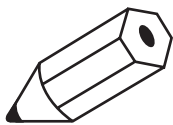
- **Mos i hidhni veglat elektrike, aksesoret dhe paketimin së bashku me materialet e mbeturinave familjare** (vetëm për vendet e BE-së)
- në respektim të Direktivës evropiane 2012/19/EC për pajisjet elektrike dhe elektronike si mbetje dhe zbatimin e saj në përputhje me ligjet kombëtare, pajisjet elektrike

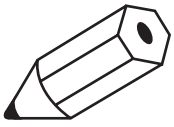
që kanë arritur në fund të jetëgjatësisë së tyre duhet të mblidhen të ndara dhe të kthehen në një objekt riciklimi në përputhje me mjedisin.

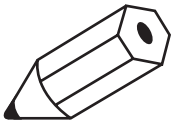
- simboli ⑤ do t'ju kujtojë për këtë gjë kur të jetë nevoja për t'i hedhur

ZHURMA / VIBRIMI

- I matur sipas EN 60745, niveli i presionit të zhurmës së këtij mjeti është 94,2 dB(A) dhe niveli i fuqisë së zhurmës 105,2 dB(A) (pasiguria K = 3 dB), dhe dridhja * (shuma e vektorit triax; pasiguria K = 1.5 m/s²)
 - * kur shpioni në metal < 2,5 m/s²
 - * gjatë shpimit me goditje në beton 11,1 m/s²
 - Niveli i emetimit të vibrimit është matur në përputhje me një provë të standardizuar të dhënë në EN 60745; ajo mund të përdoret për të krahasuar një vegël me një tjetër dhe si një vlerësim paraprak i ekspozimit ndaj vibrimit kur përdorni pajisjen për proceset e përmendura
 - përdorimi i pajisjes për procese të ndryshme, ose me aksesorë të ndryshëm dhe të mirëmbajtur keq, mund të rritë ndjeshëm nivelin e ekspozimit
 - kohët kur pajisja është e fikur dhe kur është e ndezur por jo në punë, mund të zvogëlojnë ndjeshëm nivelin e ekspozimit
- ! mbroni veten nga efektet e vibrimit duke mirëmbajtur pajisjen dhe aksesorët e saj, duke i mbajtur duart e ngrohta dhe duke organizuar mënyrën tuaj të punës**







استفاده

- روشن/خاموش ①
- ضامن برای کار پیوسته ⑦
- کنترل دور برای شروع بکار ملایم ⑧
- کنترل حداکثر دور ⑨
- با چرخ C می توان حداکثر دور را از کم به زیاد تنظیم کرد
- ابزار را روشن کنید
- ضامن کلید را بزنید
- برای انتخاب دور حداکثر چرخ C را بگردانید
- گزینشگر مکانیکی دنده ⑫
- انتخاب گر E را روی دور دخواه بگذارید

! هنگامی که دور ابزار پایین است گزینشگر دنده را فعال کنید

= 1 دور پایین

- گشتاور بالا

- برای مته کاری به قطر بزرگ

- برای دنده زدن

= 2 دور بالا

- گشتاور کم

- برای سوراخ کاری قطر کوچک

• تغییر جهت چرخش ⑪

- کلید A ⑬ در صورتی که درست در وضعیت چپ/راست تنظیم نشده باشد.

! فعال نخواهد شد

! فقط زمانی جهت چرخش ابزار را عوض کنید که ابزار در حالت توقف کامل باشد

• مته کاری عادی در مقایسه با مته کاری ضربه ای ⑭

! فقط موقعی که ابزار خاموش و سیم برق آن کشیده شده است عملکرد مته انتخاب کنید

• عوض کردن سرمته ⑮

- سرمته را تا جایی که امکان دارد بیشتر در سرنظام داخل کنید

! اگر ساقه سرمته آسیب دیده است نباید از آن استفاده کنید

• تنظیم عمق مته کاری ⑯

• نگهداشتن و هدایت ابزار ⑰

- همیشه از دسته کمکی استفاده کنید G (مطابق شکل قابل تنظیم است)

! هنگام کار باید همیشه ابزار را از جا(های) دست خاکستری رنگ بگیرید

• منافع تهبویه را مسدود نکنید

- فشار بیش از حد به ابزار وارد نکنید؛ بگذارید ابزار به جای شما کار کند

توصیه های کاربردی

• از سرمته های مناسب استفاده کنید ⑱

! فقط از سرمته های تیز استفاده کنید

• برای مته کردن بتن یا سنگ باید فشار پیوسته و یکنواختی روی مته وارد شود

• برای مته کردن فلزات آهنی

- اگر می خواهید سوراخ بزرگی ایجاد کنید. ابتدا یک سوراخ کوچک اولیه ایجاد کنید

- سرمته را هر چند وقت یکبار با روغن روانکاری کنید

• مته کاری بدون تراشه چوب ⑲

• مته کاری دیوار بدون گرد و غبار ⑳

• مته کاری سقف بدون گرد و غبار ㉑

• مته کاری کاشی ها بدون لیز خوردن ㉒

• برای اطلاعات بیشتر به www.skil.com مراجعه کنید

نگهداری / سرویس- خدمات

• این ابزار برای مصارف حرفه ای مناسب نیست

• همیشه ابزار و سیم برق را تمیز نگهدارید (بخصوص شیارهای تهویه H ⑳)

! پیش از تمیز کردن سیم برق را از برق بکشید

• اگر ابزار علیرغم تمام دقت و مراقبتی که در فرایندهای تولید و تست بکار برده شده از کار افتاد. تعمیرات باید فقط در مراکز خدمات پس از فروش ابزارهای برقی SKIL انجام شود

- ابزار را بصورت پانزشمه همراه با رسید خرید به فروشنده یا نزدیک ترین مرکز

خدمات رسالتی SKIL بفرستید (آدرسها به همراه نمودار نقشه های سرویس ابزار

در www.skil.com موجود است)

• توجه داشته باشید که خرابی و خسارت ناشی از اضافه بار یا کار کردن نادرست با

ابزار منسوخ ضمانت نخواهند بود (برای آگاهی از شرایط ضمانت SKIL به نشانی

www.skil.com مراجعه کرده یا از فروشنده خود سوال کنید)

محیط زیست

- ابزارهای برقی. لوازم و متعلقات و بسته بندی آنها را نباید همراه با زباله های عادی خانگی دور انداخت (فقط مخصوص کشورهای عضو اتحادیه اروپا)
- با توجه به مصوبه اروپایی EC/19/2012 اروپا درباره لوازم برقی و الکترونیکی مستعمل اجزای این مصوبه مطابق با قوانین کشوری. ابزارهای برقی که به پایان عمر مفید خود رسیده اند باید جداگانه جمع آوری شده و به یک مرکز بازیافت مناسب و سازگار با محیط زیست انتقال یابند
- نماد علامت ㉓ یا داور این مسئله در هنگام دور انداختن است

صدا / ارتعاشات

- بر طبق اندازه گیری های انجام شده بر اساس استاندارد EN 1.0.745. میزان فشار صوتی این ابزار 94,2 دسی بل و میزان توان صوتی آن 1.0.5 دسی بل (عدم قطعیت K = 3 دسی بل). و میزان ارتعاشات آن * (جمع بردارهای سه جهت: عدم قطعیت K = 1.5 متر/مخزور ثانیه) می باشد

* در صورت مته کاری فلزات > 2,5 متر/مخزور ثانیه

* در صورت مته کاری ضربه ای بتن 1,1 متر/مخزور ثانیه

- میزان انتشار ارتعاشات بر اساس تست استاندارد شده ای که در EN 1.0.745 معرفی شده است اندازه گیری گردید: از این ارقام می توان برای مقایسه یک ابزار با دیگری و بعنوان ارزیابی اولیه در معرض قرارگیری ارتعاشات هنگام کار با ابزار در کاربری های فوق استفاده کرد

- استفاده کردن از ابزار برای کاربردهای متفاوت. یا با لوازم و متعلقات

متفاوتترفرقه یا لوازم و متعلقاتی که بد نگهداری شده اند. می تواند میزان

در معرض قرارگیری را بطور قابل ملاحظه ای افزایش دهد

- مواقعی که ابزار خاموش است یا روشن است ولی کاری با آن انجام نمی شود.

میران در معرض قرارگیری بطور قابل توجهی کاهش می یابد

! میزان نگهداری مناسب از ابزار و لوازم و متعلقات آن. گرم نگهداشتن دست های خود. و سازمان دهی طرح های کاری می توانند خود را در برابر اثرات

ارتعاش محافظت کنید

ج) بیش از حد به آنها نزدیک نشود. برای کار جای مطمئنی برای خود انتخاب کرده و تعادل خود را همواره حفظ کنید. به این ترتیب می توانید ابزار الکتریکی را در وضعیت های غیر منتظره بهتر تحت کنترل داشته باشید.

ح) لباس مناسب بپوشید. از پوشیدن لباس های فراخ و حمل زینت آلات خود داری کنید. موهام، لباس ها و دستکش های از بخش های درحال چرخش دستگاه دور نگهدارید. لباس های فراخ، موی بلند و زینت آلات ممکن است در قسمت های درحال چرخش دستگاه گیر کنند.

خ) در صورتیکه می توانید وسایل مکش گرد و غبار یا وسیله جذب زائده را به دستگاه نصب کنید، باید مطمئن شوید که این وسایل نصب و درست استفاده می شوند. استفاده از وسایل مکش گرد و غبار ممنوعیت شما را در برابر گرد و غبار زیاد تر می کند.

د) اجازه ندهید آشنایی و تسلط حاصل از استفاده مکرر از ابزارها باعث شود احساس نیاز به رعایت قواعد نکرده و به قوانین ایمنی ابزار بی توجهی کنید یک عمل از روی بی فکری می تواند در کسری از ثانیه موجب جراحات شدید شود

۴) استفاده صحیح از ابزار الکتریکی و مراقبت از آن
ا) از وارد کردن فشار زیاد روی دستگاه خود داری کنید. برای هر کاری، از ابزار الکتریکی مناسب با آن استفاده کنید. بکار گرفتن ابزار الکتریکی مناسب باعث می شود که بتوانید از توان دستگاه بهتر و با اطمینان بیشتر استفاده کنید.

ب) در صورت ابزار در کلیلد قطع و وصل ابزار برقی، از دستگاه استفاده نکنید. ابزار الکتریکی که نمی توان آنها را قطع و وصل کرد، خطرناک بوده و باید تعمیر شوند.

ت) قبل از تنظیم ابزار الکتریکی، تعویض اطلاعات و یا کنار گذاشتن آن، دوشاخه از برق کشیده و یا باطری آنرا خارج کنید. رعایت این اقدامات پیشگیری ایمنی از راه افتادن ناخواسته ابزار الکتریکی جلوگیری می کند.

ث) ابزار الکتریکی را در صورت عدم استفاده، از دسترس کودکان دور نگهدارید. اجازه ندهید که افراد نا وارد و یا اشخاصی که این دفترچه راهنما را نخوانده اند، با این دستگاه کار کنند. قرار گرفتن ابزار الکتریکی در دست افراد ناوارد و بی تجربه خطرناک است.

ج) از ابزار الکتریکی خوب مراقبت کنید. مواظب باشید که قسمت های متحرک دستگاه خوب کار کرده و گیر نکنند. همچنین دقت کنید که قطعات ابزار الکتریکی شکسته و یا آسیب دیده نباشند. قطعات آسیب دیده را قبل از شروع به کار تعمیر کنید. علت بسیاری از سوانح کاری، عدم مراقبت کامل از ابزارهای الکتریکی می باشد.

ح) ابزار برش را تیز و تمیز نگهدارید. ابزار برشی که خوب مراقبت شده و از لبه های تیز برخوردارند، کمتر در قطعه کار گیر کرده و بهتر قابل هدایت می باشند.

خ) ابزارهای الکتریکی، معلومات، ابزاری که روی دستگاه نصب می شوند و غیره را مطابق دستورالعمل این جزوه راهنما طوری به کار گیرید که با مدل این دستگاه تناسب داشته باشند. همچنین به شرایط کاری و نوع کار توجه کنید. کاربرد ابزار برقی برای مواد کاری که برای آن در نظر گرفته نشده است، میتواند شرایط خطرناکی را منجر شود.

د) دسته ها و سطوح دستگیره ها را خشک، تمیز و عاری از روغن و گریس نگه دارید. با دسته ها و سطوح دستگیره های لیز نمی توان در شرایط غیرمنتظره بطور ایمن با ابزار کار کرد و کنترل آنرا داشت.

ه) سرویس

ا) برای تعمیر ابزار الکتریکی فقط به متخصصین حرفه ای رجوع کرده و از وسایل قدیمی اصل استفاده کنید. این باعث خواهد شد که ایمنی دستگاه شما تضمین گردد.

هشدارهای ایمنی برای مته های ضربه ای

۱) هشدارهای ایمنی عمومی
ا) هنگام مته کاری ضربه ای باید از محافظ گوش استفاده کنید صدای بلند می تواند به شنوایی شما آسیب برساند.

ب) ایمنی (دسته های) کمکی استفاده کنید. از دست دادن کنترل می تواند باعث شود جراحات ببینید.

ت) اگر احتمال می دهید معلومات برش یا بست ها در حین کار با سیم های خود ابزار یا هر سیم کشی پنهان و غیرآشکار تماس پیدا کند، ابزار الکتریکی را فقط از دسته و سطوح عایق آن بگیرید. اگر معلومات برش یا بست ها با یک سیم دارای جریان "برق" تماس پیدا کنند، جریان "برق" به قسمت های فلزی آشکار ابزار الکتریکی نیز منتقل شده و باعث برق گرفتگی خواهد شد.

۴) دستورالعمل های ایمنی هنگام استفاده از سرمه های بلند
ا) هرگز با سرعتی بالاتر از سرعت حداکثر سرمه کار نکنید. در سرعت های بالاتر، اگر سرمه آزادانه و بدون تماس با قطعه کار بچرخد امکان دارد خم شده و باعث

جراحات شخصی شود.

ب) همیشه مته کاری را بلا سرعتی پایین تر و در حالی شروع کنید که نوک سرمه به قطعه کار در تماس باشد. در سرعت های بالاتر اگر سرمه آزادانه و بدون تماس با قطعه کار بچرخد امکان دارد خم شده و باعث جراحات شخصی شود.

ت) فقط در یک خط مستقیم با سرمه فشار وارد کنید و از وارد آوردن فشار بیش از حد خودداری نمائید. سرمه ها می توانند خم شده و باعث شکستن و یا از دست رفتن کنترل شوند و این منجر به جراحات شخصی خواهد شد.

عمومی
• افراد کمتر از ۱۶ سال نباید با این دستگاه کار کنند

• قبل از هرگونه تنظیم یا تعویض کردن لوازم و ملحقه‌معلومات حتماً باید سیم برق دستگاه را از پریز بکشید.

• سیم های رابط برق باید کاملاً باز شده و ایمن باشند. از سیم هایی با رده بندی ۱۶ آمپر

• با موادی حاوی آزبست کار نکنید (آزبست سرطان زااست)

• گرد و خاکی که از موادی مانند رنگ های حاوی سرب، برخی گونه های چوب، مواد معدنی و فلزات بلند می شود می تواند خطرناک باشد (تاس با این گرد و خاکها و با تنفس آنها می تواند در کاربران ابزار یا افراد نزدیک به محل کار واکنش های حساسیتی و یا بیماری های تنفسی ایجاد کند؛ یک ماسک مخصوص گرد و خاک بزنید و در صورت امکان از یک وسیله مکش گرد و خاک استفاده کنید

• برخی از گرد و خاکها (مانند گرد و خاکی که از چوب بلوط یا راش بلند می شود) علی الخصوص در مجاورت افزودنی های مخصوص چوب، سرطان زا هستند؛ یک ماسک مخصوص گرد و خاک بزنید و در صورت امکان از یک وسیله مکش گرد و خاک استفاده کنید

• از مقررات ملی مربوط به گرد و خاک موادی که می خواهید با آنها کار کنید پیروی نمائید

• پیش از استفاده

• همیشه مطمئن شوید که ولتاژ ورودی دستگاه برابر ولتاژی باشد که روی پلاک دستگاه نوشته شده است

• پیچ ها، میخ ها و سایر اجزا دیگر می توانند به قطعه کاری شما آسیب بزنند؛ بنابراین پیش از شروع کار آنها را بردارید

• برای پیدا کردن سیم و لوله های پنهان از دستگاه های متحرک مناسب استفاده کرده یا با شرکت های آب و برق و گاز محلی تماس گرفته و از آنها کمک بخواهید (تاس با سیم های برق موجب آتش سوزی و برق گرفتگی می شود؛ آسیب رساندن به لوله های گاز سبب انفجار می شود؛ سوراخ کردن لوله های آب به ساختمان آسیب رسانده و موجب خطر برق گرفتگی می شود)

• قطعه کاری را محکم کنید (اگر قطعه کاری را با گیره های رومیزی ثابت کنید بسیار مطمئن تر از گرفتن آن با دست خواهد بود)

• وقتی که سیم آسیب دیده است هرگز نباید از ابزار استفاده کنید؛ باید با یک سیم از پیش آماده شده مخصوص که از طریق سازمان های خدماتی در دسترس است تعویض گردد

• متعلقات SKIL

• در صورتی که از متعلقات اصلی استفاده کنید عملکرد بدون مشکل ابزار را تضمین می نماید

• متعلقات باقی فقط با سرعت های چرخش مجاز که معادل بالاترین سرعت بدون بار ابزار هستند به کار برده شوند

• در حین استفاده

• همیشه باید سیم برق ابزار را از بخشهای متحرک آن دور نگهدارید

• اگر سرمه بطور ناگهانی گیر کرد (که نتیجه آن یک حرکت واکنشی ناگهانی و خطرناک است)، فوراً ابزار را خاموش کنید

• مراقب نیروهای ناشی از گیر کردن باشید (بخصوص هنگام دریل کردن فلزات)؛ همیشه از دسته کمکی استفاده کرده و در حالت مطمئن بایستید

• در صورت بروز اشکالات برقی یا مکانیکی، فوراً ابزار را خاموش کرده و سیم برق آنرا از پریز بکشید

• اگر سیم برق آسیب دیده یا بریده شده باشد، هرگز به سیم دست نزنید، اما فوراً آنرا از پریز بکشید

بعد از استفاده

• وقتی که کار شما با این تمام شد، حتماً موتور آنرا خاموش کرده و مطمئن شوید که تمام بخشهای متحرک آن از حرکت ایستاده اند

۱) شرح علائم و نمادهای روی ابزار

۲) پیش از کار حتماً دفترچه راهنما را مطالعه کنید

۳) عایق دوگانه (نمای به سیم متصل به زمین - ارت نیست)

۴) ابزار را همراه زائله های خانگی دور نیندازید

فیجب القيام بالإصلاحات بواسطة مركز خدمة ما بعد البيع لأدوات الطاقة التابع لشركة SKIL:

- قم بإرسال الآداة دون تفكيكها بالإضافة إلى إثبات الشراء إلى البائع أو أقرب محطة خدمة SKIL (العائنين بالإضافة إلى مخطط الخدمة متاح على www.skil.com)
- كن على علم بأن التلف الناتج عن زيادة التحميل أو التعامل مع الآداة بطريقة خاطئة سيتم استثناءه من الضمان (لعرفة شروط ضمان SKIL انظر www.skil.com أو قم بسؤال بائع المعدات)

البيئة المحيطة

- لا تتخلص من الأدوات الكهربائية والملحقات ومواد التغليف مع النفايات المنزلية (لدول الاتحاد الأوروبي فقط).
- وفقًا للتوجيه الأوروبي EC/19/2012 حول نفايات المعدات الكهربائية والإلكترونية وتطبيقه بالتوافق مع القانون المحلي، يجب جمع الأدوات الكهربائية منتهية الصلاحية بشكل منفصل وإرسالها إلى أحد منشآت إعادة التصنيع المتوافقة مع البيئة
- سبندكرك الرمز (2) بهذا عند الحاجة إلى التخلص من آية أداة:

الضوضاء / الاهتزاز

- عند القياس بالتوافق مع EN 10745 يكون مستوى ضغط صوت هذه الآداة هو 94,2 ديسيبل (أ) ومستوى صوت الطاقة 10,5 ديسيبل (أ) (الاحتمالية K = 3 ديسيبل).
- والاهتزاز * (مجموعة الكميات الموجهة؛ الاحتمالية K = 1,5 م/ث²)
- * عند ثقب المعدن > 2,5 م/ث²
- * عند الثقب الصمغي للخرسانة (11,1 م/ث²)
- تم قياس مستوى الاهتزازات بالتوافق مع الاختبار المعياري المحدد في EN 10745؛ يمكن استخدامه لمقارنة أداة بأداة أخرى وكتقييم تهديدي للتعرض للاهتزاز عند استخدام الآداة في التطبيقات الموضحة:
- قد يؤدي استخدام الآداة في تطبيقات مختلفة أو مع ملحقات مختلفة أو ذات صيانة رديئة إلى زيادة مستوى التعرض بصورة كبيرة؛
- إن الفترة الزمنية التي يتم خلالها إيقاف تشغيل الآداة أو عندما تكون قيد التشغيل لكنها لا تؤدي أية مهام، تؤدي إلى تقليل مستوى التعرض بصورة كبيرة؛
- ! قم بحماية نفسك من تأثيرات الاهتزاز من خلال صيانة الآداة وملحقاتها والحفاظ على يدك دافئتين وتنظيم أعطاك العمل لديك:

FA

يا مبرض هتم

مقدمة

- این ابزار برای مته کاری ضربه ای در آجر و نیز برای مته کاری چوب، فلزات، سرامیک و پلاستیک طراحی شده است.
- این ابزار برای مصارف حرفه ای مناسب نیست
- لطفاً این دفترچه راهنما را مطالعه کرده و نگهدارید (2)

اطلاعات فنی (1)

اجزای ابزار (2)

- A کلید روشن/خاموش و کنترل دور
- B ضامن قفل کننده
- C چرخ کنترل حد اکثر دور
- D کلید تغییر جهت چرخش
- E گزینشگر رنده
- F کلید انتخاب عملکرد مته
- G دسته کمکی
- H شیارهای تهویه

ایمنی

راهنمایی های ایمنی عمومی برای ابزارهای الکتریکی

FA هشدار تمامی هشدارهای ایمنی، دستورالعمل ها، تصاویر و مشخصات فنی ارائه شده همراه با این ابزار الکتریکی را مطالعه کنید در صورت عدم رعایت هشدارهای زیر خطر برق گرفتگی، آتش سوزی و یا بروز جراحت های شدید وجود خواهد داشت.

همه هشدارها و راهنمایی ها را برای استفاده آتی نگهداری کنید.

در این هشدارها عبارت "ابزار الکتریکی" به معنی ابزارهای الکتریکی فاقد باتری (با سیم برق) و یا ابزارهای الکتریکی باتری دار (شارژی) است

- ایمنی محل کار
- محل کار خود را تمیز، مرتب و مجهز به نور کافی نگهدارید. محیط کار نامرتب و کم نور میتواند باعث سوانح کاری شود.
- با ابزار الکتریکی در محیط هایی که در آن خطر انفجار وجود داشته و حاوی مایعات، گازها و غبارهای محترقه باشد، کار نکنید. ابزارهای الکتریکی جرقه های ایجاد می کنند که می توانند باعث آتش گرفتن گرد و بخارهای موجود در هوا شوند.
- هنگام کار با ابزار الکتریکی، کودکان و سایر افراد را از دستگاه دور نگهدارید. در صورتیکه حواس شما پرت شود، ممکن است کنترل دستگاه از دست شما خارج شود.
- ایمنی الکتریکی
- دوشاخه ابزار الکتریکی باید با پریز برق تناسب داشته باشد. هیچگونه تغییری در دوشاخه ندهید. مبدل دوشاخه نباید همراه با ابزار الکتریکی دارای اتصال به زمین (ارت شده) استفاده شود. مبدل دوشاخه نباید همراه با ابزار الکتریکی دارای اتصال به زمین (ارت شده) استفاده شود.
- از تماس بدنی با قطعات دارای سیم اتصال به زمین (ارت شده) مانند لوله، شومافز، اجاق برقی و یخچال خود داری کنید. در صورتیکه بدن شما با سیم دارای اتصال به زمین (ارت شده) تماس پیدا کنند، خطر برق گرفتگی بیشتر خواهد شد.
- دستگاه را از باران و رطوبت دور نگهدارید. نفوذ آب به ابزار الکتریکی، خطر شوک الکتریکی را افزایش می دهد.
- از سیم به درستی استفاده کنید. از سیم دستگاه برای کارهایی چون حمل ابزار الکتریکی، آویزان کردن آن و یا خارج کردن دوشاخه از پریز استفاده نکنید. دستگاه را در مقابل حرارت، روغن، لبه های تیز و بخش های متحرک دستگاه دور نگهدارید. کابل های آسیب دیده و یا گره خورده خطر شوک الکتریکی را افزایش می دهند.
- در صورتیکه با ابزار الکتریکی در محیط باز کار می کنید، تنها از کابل را بطی استفاده کنید که برای محیط باز نیز مناسب باشد. کابل های رابط مناسب برای محیط باز خطر برق گرفتگی را کم می کنند.
- در صورت لزوم کار با ابزار الکتریکی در محیط و اماکن مرطوب. در اینصورت باید از یک کلید حفاظتی جریان خطا و نشستی زمین (کلید قطع کننده اتصال با زمین) استفاده کنید. استفاده از کلید حفاظتی جریان خطا و نشستی زمین خطر برق گرفتگی را کمتر می کند.
- رعایت ایمنی اشخاص
- حواس خود را خوب جمع کنید، به کار خود دقت کنید و با فکر و هوش کامل با ابزار الکتریکی کار کنید. در صورت خستگی و یا در صورتیکه مواد مخدر، الکل و دارو استفاده کرده اید، با ابزار الکتریکی کار نکنید. یک لحظه بی توجهی هنگام کار با ابزار الکتریکی، میتواند جراحت های شدیدی به همراه داشته باشد.
- همواره از تجهیزات ایمنی شخصیتی استفاده کنید. همواره از عینک ایمنی استفاده کنید. استفاده از تجهیزات ایمنی مانند ماسک ایمنی، کفش های ایمنی ضد لغزش، کلاه ایمنی و گوشی ایمنی متناسب با نوع کار با ابزار الکتریکی، خطر مجروح شدن را تقلیل می دهد.
- مواظب باشید که ابزار الکتریکی بطور ناخواسته بکار نیفتد. قبل از وارد کردن دوشاخه دستگاه در پریز برق، اتصال آن به باتری، برداشتن آن و یا حمل دستگاه، باید دقت کنید که ابزار الکتریکی خاموش باشد. در صورتیکه هنگام حمل دستگاه انگشت شما روی دکمه قطع و وصل باشد و یا دستگاه را در حالت روشن به برق بزنید، ممکن است سوانح کاری پیش آید.
- قبل از روشن کردن ابزار الکتریکی، باید همه ابزار های تنظیم کننده و آچارها را از روی دستگاه بردارید. ابزار آچارهایی که روی بخش های چرخنده دستگاه قرار دارند، می توانند باعث ایجاد جراحت شوند.

ت) امسك الأداة الكهربائية باستخدام أسطح الإمساك المعزولة عند إجراء أية عملية قد تتلامس فيها أداة القطع أو الإبريز مع سلك مستتر أو السلك الخاص بها. فلتامس أداة القطع أو الإبريز مع سلك "متصل بالكهرباء" قد يؤدي إلى وصول التيار الكهربائي إلى أجزاء معدنية مكشوفة بالأداة الكهربائية وتعرض المشغل لصدمة كهربائية.

٢) تعليمات السلامة عند استخدام سن مثقاب طويل

أ) لا تعمل أبداً بسرعة أعلى من السرعة القصوى لسن المثقاب عند السرعات العالية. من المحتمل أن ينحني السن إذا تم السماح له بالدوران بحرية دون التلامس بقطعة العمل. ما يؤدي إلى إصابة شخصية

ب) قم دائماً باليد في الثقب بسرعة منخفضة وباستخدام طرف السن في التلامس مع قطعة العمل عند السرعات العالية. من المحتمل أن ينحني السن إذا تم السماح له بالدوران بحرية دون التلامس بقطعة العمل. ما يؤدي إلى إصابة شخصية

ت) قم بالضغط فقط في خط مباشر من خلال السن و لا تضغط بشدة يمكن أن تنحني السنون ما يؤدي إلى كسر أو فقدان السيطرة. ما يؤدي إلى إصابة شخصية

معلومات عامة

- لا يجب استخدام هذه الأداة من قبل الأشخاص الأقل من 16 عام؛
- احرص دائماً على فصل القابض من مصدر الطاقة قبل القيام بأية عمليات ضبط أو تغيير أية ملحقات؛
- استخدم أسلاك تمديد مفكوكة تماماً وأمنة سعة 16 أمبير (13 أمبير في بريطانيا العظمى)
- لا تعمل باستخدام مواد تشتمل على الأيسستوس (يعتبر الأيسستوس مادة مسرطنة)؛
- الغبار الناتج من المواد كالتلأل الذي يحتوي على رصاص وبعض أنواع الأخشاب والمعادن والكربونات المعدنية قد يكون ضاراً (ملاسمة) أو استنشاق الغبار قد تتسبب في إصابة المشغل أو من يجاوره بأمراض الحساسية وأو أمراض الجهاز التنفسي؛
- قم بارتداء قناع للغبار مع العمل باستخدام جهاز شفط للغبار. طالما أمكن توصيله
- ثمة أنواع معينة من الغبار تصنف على أنها مواد مسببة للسرطان (مثل غبار خشب البلوط والزنان) خاصة عند استخدامها مع مواد مضافة لمعالجة الخشب؛ قم بارتداء قناع للغبار مع العمل باستخدام جهاز شفط للغبار. طالما أمكن توصيله

الزرم بالمتطلبات الوطنية الخاصة بالغبار عند العمل باستخدام المواد المطلوبة

قبل الاستخدام

- تأكد دائماً من أن الفولت المزود هو نفسه المشار اليه على اللوحة الخاصة بالأداة
- تجنب التلف الذي قد تتسبب فيه البرازي والمسامير والعناصر الأخرى الموجودة في القطعة التي تعمل بها. قم بشكهم قبل بدء العمل؛
- استخدم كاشفات ملائمة للتعرف على خط المرافق أو اطلب شركة المرافق المحلية للحصول على مساعدة التلامس مع خطوط إمداد الكهرباء قد يؤدي إلى حدوث حريق أو صدمة كهربائية؛ وتلف خط الغاز قد يؤدي إلى حدوث انفجار؛
- واختراق أنابيب المياه سيتسبب في حدوث ضرر في المتعلكات أو صدمة كهربائية؛
- ثبت قطعة العمل (الإمساك بقطعة عمل مثبتة بأجهزة تثبيت أو في ملزمة أكثر أمناً من مسكها باليد)؛
- تجنب تماماً استخدام الأداة عند تلف السلك؛ فيجب استبداله بسلك معد خصيصاً متاح من خلال منظمة الخدمة.

الملحقات

- تضمن SKIL التشغيل السليم للأداة فقط عند استخدام الملحقات الأصلية؛
- استخدم فقط الملحقات بالسرعة المسموح بها. والتي توافق على الأقل أعلى سرعة للأداة بدون حمل.

أثناء الاستخدام

- احتفظ بالسلك بعيداً عن الأجزاء المتحركة بالأداة؛
- إذا تعرض سن المثقاب لانحناء غير متوقع (مسيباً) رد فعل مفاجئ وخطير). قم بإيقاف تشغيل المثقاب على الفور؛
- انتبه إلى القوى الناتجة عن الانحناء (خاصة عند ثقب العادن)؛ استخدم دائماً المقبض المساعد G واتخذ وضعية آمنة
- في حالة حدوث خلل كهربائي أو ميكانيكي. أوقف تشغيل الأداة فوراً وافصل القابض؛
- في حالة تعرض السلك للتلف أو تقطع أثناء العمل. لا تلمس السلك وافصل القابض فوراً

بعد الاستخدام

- عندما تضع الأداة جانباً. أوقف تشغيل المحرك وتأكد من توقف جميع الأجزاء المتحركة بشكل تام

شرح الرموز الموجودة على الأداة

- ٣) قم بقراءة دليل الإرشادات قبل الاستخدام
- ٤) العزل المزوج (لا يلزم سلك أرضي)
- ٥) لا تتخلص من الأداة مع النفايات المنزلية؛

الاستخدام

- التشغيل/إيقاف التشغيل ①
- تأمين المفتح للاستخدام المتواصل ⑦
- التحكم بالسرعة لبدء التشغيل السلس ⑧
- التحكم بالسرعة القصوى ④
- استخدام العجلة C يمكن ضبط السرعة القصوى من منخفضة إلى عالية
- قم بتشغيل الأداة
- اقل المفتح؛
- أدر العجلة C لتحديد السرعة القصوى؛
- الاختيار الميكانيكي للسرعات ⑩
- اضبط الذراع E على السرعة المطلوبة
- ! قم بتشغيل ناقل السرعات أثناء عمل الأداة ببطء؛

1 = سرعة منخفضة

- عزم مرتفع

- لثقب أقطار كبيرة؛

- للقطع اللولبي؛

2 = سرعة عالية

- عزم منخفض

- لثقب أقطار صغيرة

⑩ تغيير اتجاه الدوران

- في حالة عدم الضبط في الوضع الأيمن الأيسر بشكل صحيح A ② يتعدر

- تنشيط المفتح

! لا يتم تغيير اتجاه الدوران إلا عند توقف حركة الأداة تماماً؛

• ثقب عادي مقابل ثقب صدمي ⑪

! لا يتم تحديد وظيفة الثقب الصدمي إلا عند إيقاف تشغيل الأداة وفصل

القابض

تغيير السنون ⑬

- أدخل السن في طرف المثقاب إلى أكبر عمق ممكن؛

! يحظر استخدام السنون مع ساق تدوير ثالث

ضبط عمق الثقب ⑭

• إمساك الأداة وتوجيهها ⑮

- استخدم دائماً المقبض المساعد G (يكن ضبطه كما هو موضح في الشكل)؛

! أثناء العمل. امسك الأداة دائماً من منطقة (مناطق) المقبض مرادية اللون

- حافظ على فتحات التهوية غير مغطاة؛

- لا تضغط بشدة على الأداة. بل تركها تقوم بالعمل من أجلك؛

توصيات الاستخدام

• استخدام السنون الملائمة ⑪

! لا يستخدم سوى سنون حادة

لثقب الخرسانة والحجارة لايد من توافر ضغط ثابت بالمثقاب

عند ثقب معادن حديدية

- عند الحاجة لثقب فتحة كبيرة. قم بعمل ثقب حضيضي لفتحة صغيرة

- قم بتزيق سن المثقاب من حين لآخر بالزيت

- ثقب بدون تشظي في الخشب ⑯

- ثقب بدون غبار في الجدران ⑰

- ثقب بدون غبار في الأسقف ⑱

- ثقب في البلاط بدون ارتلاق ⑲

• مزيد من المعلومات ز موقعنا www.skil.com

الصيانة / الخدمة

• لم يتم تصميم هذه الأداة للاستخدام الاحترافي؛

• احرص دائماً على نظافة الأداة والسلك (وخصوصاً فتحات التهوية H ⑲)؛

! أفضل القابض قبل التنظيف

• إذا تعذر تشغيل الأداة على الرغم من الحذر الشديد في إجراءات التصنيع والاختبار.

- تم تصميم هذه الأداة للغبب الصدمي في الطوب والأخشاب والمعدن والسيراميك والبيلاستيك.
- لم يتم تصميم هذه الأداة للاستخدام الاحترافي.
- اقرأ دليل التعليمات هذا واحتفظ به ①

البيانات الفنية ①

مكونات الأداة ②

- A مفتاح للتشغيل/الإيقاف والتحكم في السرعة
B زر لقفز المفاتيح
C عجلة للتحكم في السرعة القصوى
D مفتاح لتغيير اتجاه الدوران
E ناقل السرعات
F مفتاح لتحديد وظيفة الثقب
G مقبض مساعد
H فتحات التهوية

أمان

تحذيرات السلامة العامة للأداة الكهربائية

⚠ خذ برأيك كل تحذيرات السلامة والتعليمات والأشكال الإيضاحية والمواصفات المرفقة مع هذه الأداة الكهربائية فقد يؤدي الإخفاق في الالتزام بكل التعليمات المبينة فيما يلي إلى التعرض لصدمة كهربائية أو حرق أو إصابة خطيرة:

احتفظ بكل التحذيرات للرجوع إليها في المستقبل

التحذيرات إلى الأداة الكهربائية الخاصة بك التي « الأداة الكهربائية » يشير المصطلح تعمل بطاقة المآخذ الرئيسي (استخدام سلك) أو بطاقة البطارية (بدون سلك):

- الأمين يمكن الشغل
 - حافظ على نظافة وحسن إضاءة مكان شغلك. الفوضى في مكان الشغل ومجالات العمل الغير مضادة قد تؤدي إلى حدوث الحوادث.
 - لا تشغل بالعدة الكهربائية في محيط معرض لخطر الانفجار والذي تتوفر فيه السوائل أو الغازات أو الأغبرة القابلة للإشتعال. العدد الكهربائي تشكل الشرر الذي قد يتطاير. فينشعل الأغبرة والأبخرة.
- حافظ على بقاء الأطفال وغيرهم من الأشخاص على بعد عندما تستعمل الأداة الكهربائية. قد تفقد السيطرة على الجهاز عند التلهي.
- الأمين الكهربائي
 - يجب أن يتلاءم قابس وصل الأداة الكهربائية مع المقبس. لا يجوز تغيير القابس بأي حال من الأحوال. لا تستعمل القوايس المماثلة مع العدد الكهربائية المؤرصة تأريخ وقتي. تخضع القوايس التي لم يتم تغييرها والمقابس الملائمة من خطر الصدمات الكهربائية.
 - تجنب ملامسة السطوح المؤرصة كالأنياب ورايديوات التدفئة والمدافئ أو البرادات بواسطة جسمك. يزداد خطر الصدمات الكهربائية عندما يكون جسمك مؤرض.
- أبعد العدة الكهربائية عن الأمطار أو الرطوبة. يزداد خطر الصدمات الكهربائية إن تسرب الماء إلى داخل العدة الكهربائية.
- يجب عدم إساءة استخدام الكابل. لا تنس استعمال الكابل حمل العدة الكهربائية أو لتعليقها أو لسحب القابس من المقبس. حافظ على إبعاد الكابل عن الحرارة والزيت والحواف الحادة أو عن أجزاء الجهاز المتحركة. تزيد الكابلات التالفة أو المتشابكة من خطر الصدمات الكهربائية.
- استخدم فقط كوابل التمهيد الصالحة للإستعمال الخارجي أيضا عندما تستغل بالعدة الكهربائية في الهواء. يخفف استعمال كابل تمديد مخصص للإستعمال الخارجي من خطر الصدمات الكهربائية.
- إن لم يكن بالإمكان عدم تشغيل العدة الكهربائية في الأجواء الرطبة. فاستخدم مفتاح للوقاية من التيار المتردد. إن استخدام مفتاح للوقاية من التيار المتردد يقلل خطر الصدمات الكهربائية.

أمان الأشخاص

- كن يقظا وأنتبه إلى ما تفعله وقم بالعمل بواسطة العدة الكهربائية بتعقل.. لا تستخدم عدة كهربائية عندما تكون متعب أو عندما تكون تحت تأثير المخدرات أو الكحول أو الأدوية. عدم الانتباه للحظة واحدة عند استخدام العدة الكهربائية قد يؤدي إلى إصابة خطيرة.
- ارتد عتاد الوقاية الخاص. وارتد دائما نظارات واقية. يجب إرتداء عتاد الوقاية الخاص كقفاز الوقاية من الغبار وأحذية الأمان الواقية من الإزلاق والحوة واقية الأذنين. حسب نوع وإستعمال العدة الكهربائية. من خطر الإصابة بجروح.
- تجنب التشغيل بشكل غير مقصود. تأكد من كون العدة الكهربائية مطفأة قبل وصلها بإمداد التيار الكهربائي و/ أو بالمركم. وقبل رفعها أو حملها. إن كنت تضع إصبعك على المفاتيح أثناء حمل العدة الكهربائية أو إن وصلت الجهاز بالشبكة الكهربائية عندما يكون قيد التشغيل. فقد يؤدي ذلك إلى حدوث الحوادث.
- انزع عدد الضبط أو مفتاح الربط قبل تشغيل العدة الكهربائية. قد تؤدي العدة أو المفاتيح المتواجدة في جزء دوار من الجهاز إلى الإصابة بجروح.
- تجنب أوضاع الجسم غير الطبيعية. قف بأمان وحافظ على توازنك دائما. سيسمح لك ذلك من السيطرة على الجهاز بشكل أفضل في المواقف غير المتوقعة.
- ارتد ملابس مناسبة. لا ترتدي الثياب الفضفاضة أو الحلي. حافظ على إبقاء الشعر والثياب والمقابس على بعد عن أجزاء الجهاز المتحركة. قد تتشابك الثياب الفضفاضة والحلي والشعر الطويل بالأجزاء المتحركة.
- إن جاز تركيب جهاز شفط وجمع الغبار. فتأكد من أنها موصولة وبأنه يتم استخدامها بشكل سليم. قد يقلل استخدام تجهيزات لشفط الأغبرة من المخاطر الناتجة عن الأغبرة.

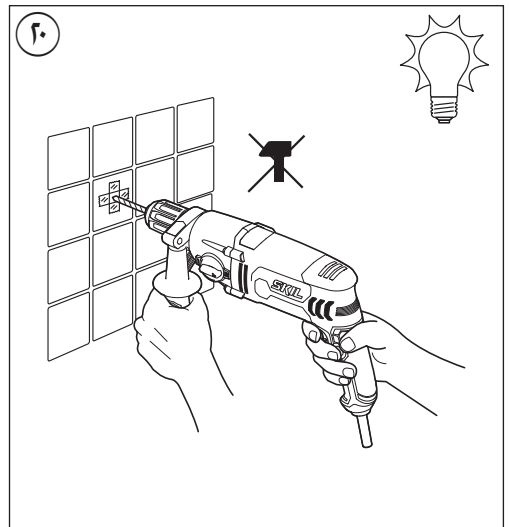
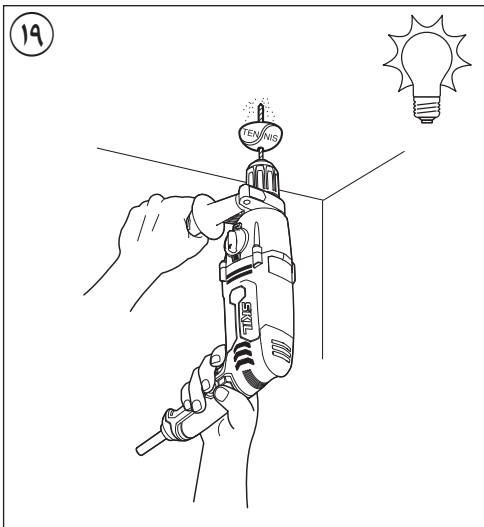
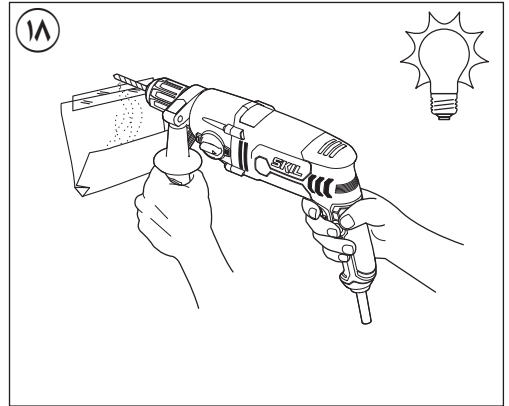
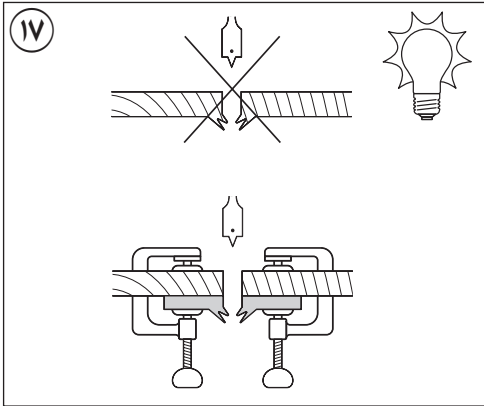
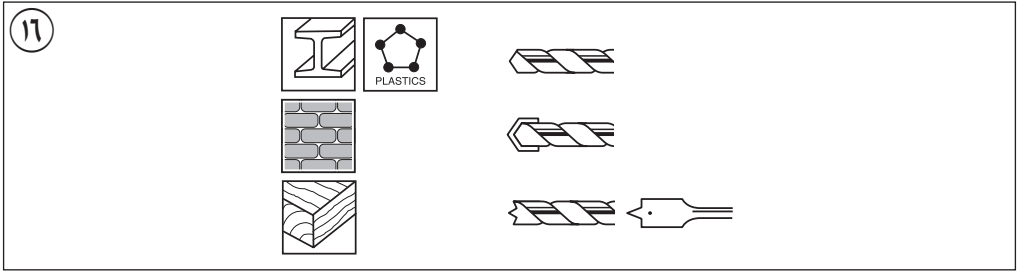
لا تدع إعتيادك على الاستخدام المتكرر للأدوات يسمح لك بتجاهل مبادئ سلامة الأداة: قد يتسبب الاستخدام بدون تكرار في حدوث إصابة بالغة في غضون ثواني:

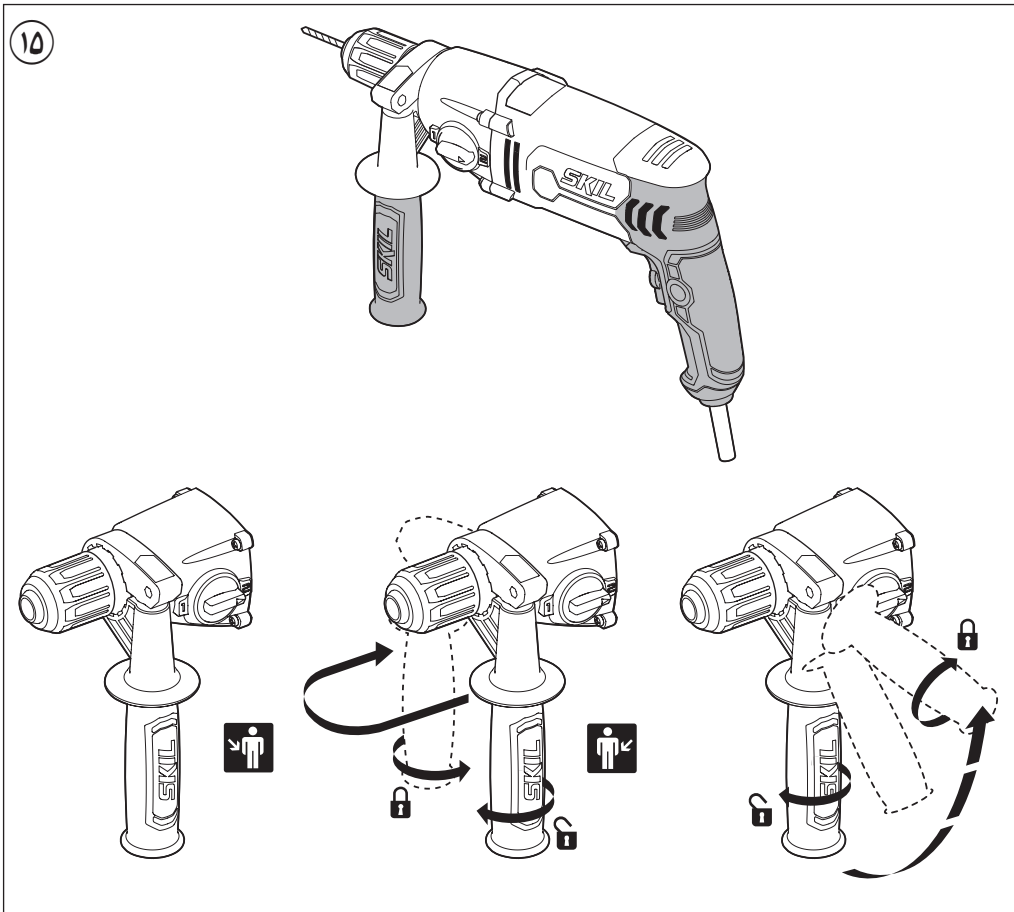
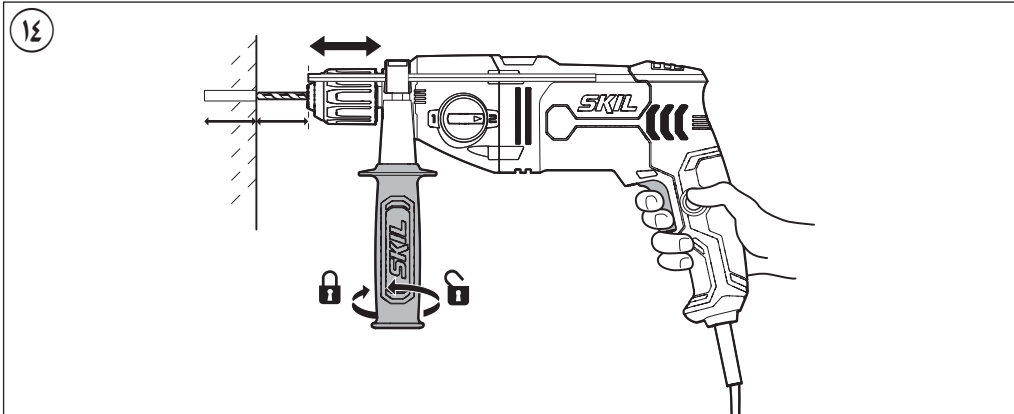
- حسن معاملة واستخدام العدد الكهربائي
- لا تفرط في تحميل الجهاز: إستخدم لتنفيذ أشغالك العدة الكهربائية المخصصة لذلك. إنك تعمل بشكل أفضل وأكثر أمانا بواسطة العدة الكهربائية الملائمة في مجال الأداء المذكور.
- لا تستخدم العدة الكهربائية إن كان مفتاح تشغيلها تالف. العدة الكهربائية التي لم تعد تسمح بتشغيلها أو بإطفاؤها خطيرة ويجب أن يتم تصليحها.
- اسحب المقابس من المقبس و/ أو انزع المركم قبل ضبط الجهاز وقبل إستبدال التوابع أو قبل وضع الجهاز جانبا. تمنع إجراءات الاحتياط هذه تشغيل العدة الكهربائية بشكل غير مقصود.
- احتفظ بالعدد الكهربائي التي لا يتم إستخدامها بعيدا عن متناول الأطفال. لا تسمح باستخدام العدة الكهربائية لمن لاخبرة له بها أو لمن لم يقرأ تلك التعليمات. العدد الكهربائي خطيرة إن تم استخدامها من قبل أشخاص دون خبرة.
- اعتن بالعدة الكهربائية بشكل جيد. تمحص عما إذا كانت أجزاء الجهاز المتحركة تعمل بشكل سليم وبأنها غير مستعصبة عن الحركة أو إن كانت هناك أجزاء مكسورة أو تالفة لدرجة تؤثر فيها على حسن أداء العدة الكهربائية. ينبغي تصليح هذه الأجزاء التالفة قبل إعادة تشغيل الجهاز. الكثير من الحوادث مصدرها العدد الكهربائي التي تم صيانتها بشكل ردي.
- حافظ على إبقاء عدد القطع نظيفة وحادة. إن عدد القطع ذات حواف القطع الحادة التي تم صيانتها بعناية تنكش بشكل أقل ويمكن توجيهها بشكل أيسر.
- استخدم العدة الكهربائية والتوابع وعدد الشغل والبخ حسب هذه التعليمات. تراعى أثناء ذلك شروط الشغل والعمل المراد تنفيذ. استخدام العدد الكهربائي لغبر الأنشغال المخصصة لأجلها قد يؤدي إلى حدوث الحوادث الخطيرة.
- احرص على جفاف المقابض وأسطح الإمساك ونظافتها وخلوها من الزيت والشحم: لا تسمح للمقابض وأسطح الإمساك الزلقة بالاستخدام والتحكم الأمين في الأداة في الحالات غير المتوقعة:

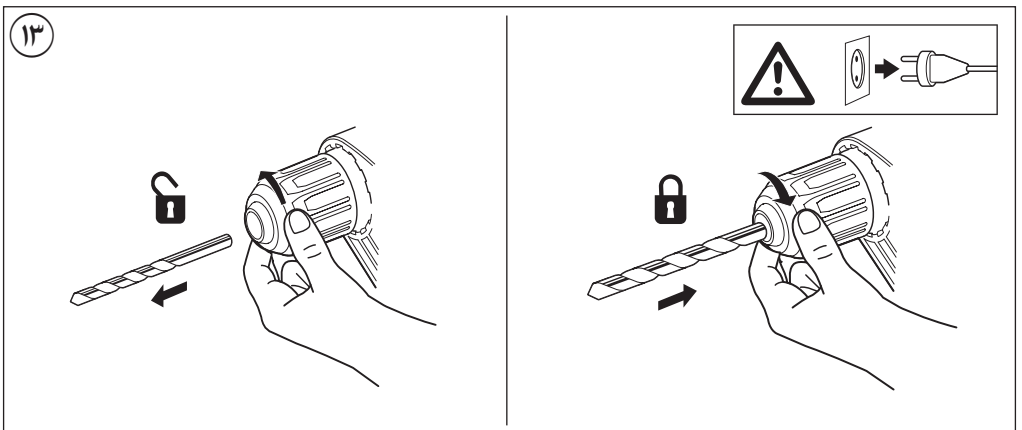
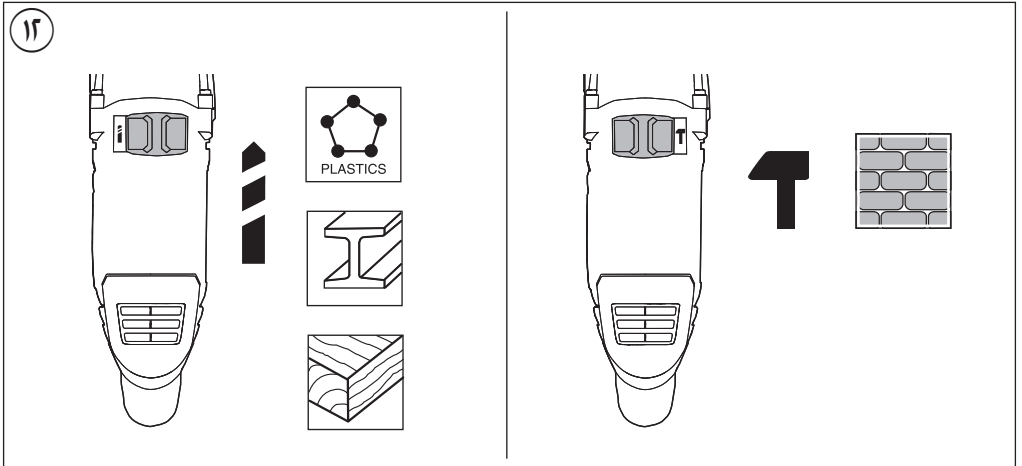
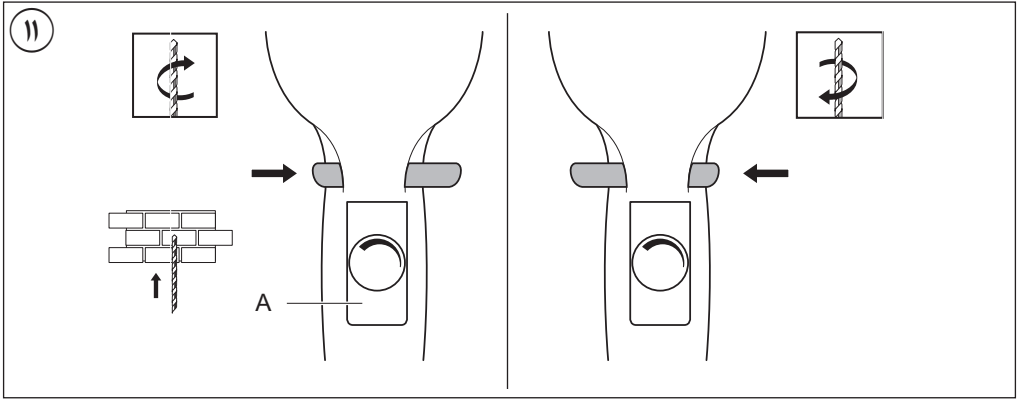
- الخدمة
- اسمح بتصليح عدتك الكهربائية فقط من قبل المتخصصين فقط بإستعمال قطع الغيار الأصلية. يؤمن ذلك المحافظة على أمان الجهاز.

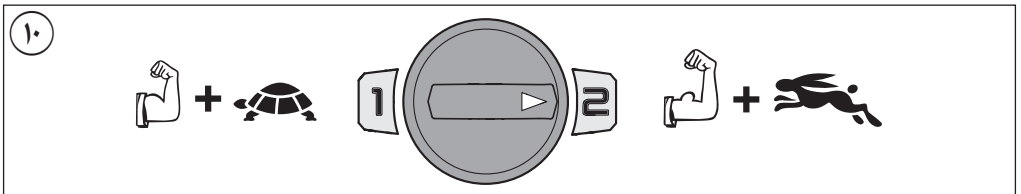
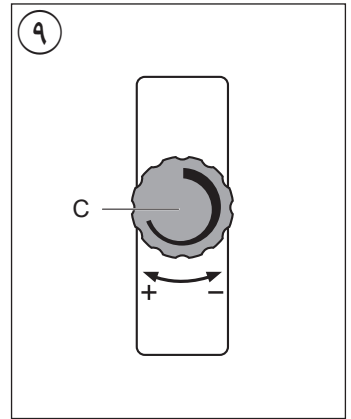
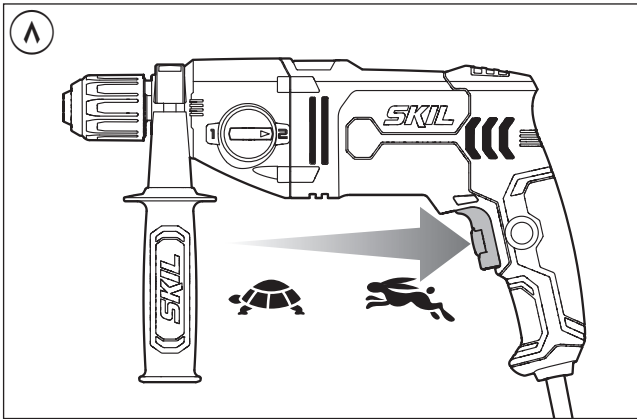
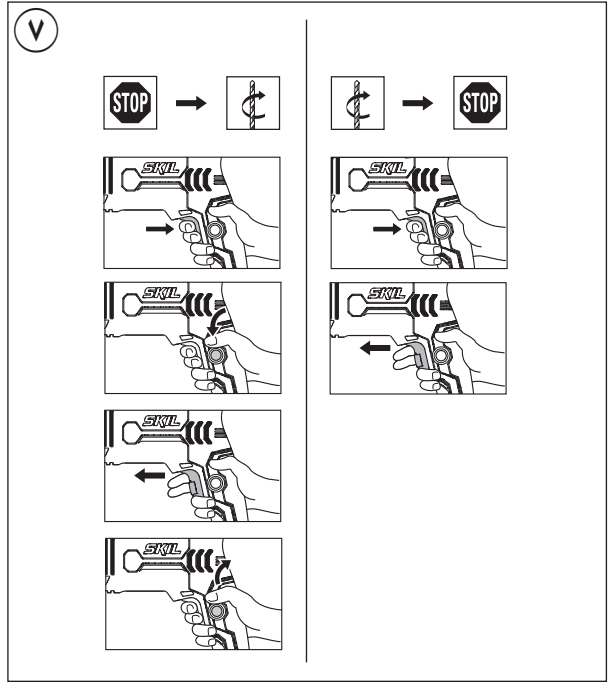
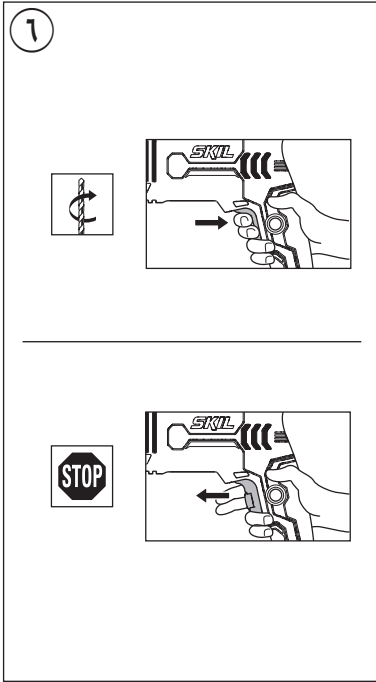
تعليمات السلامة الخاصة بالمقابس الصدمية

- تعليمات السلامة الخاصة بكافة عمليات التشغيل
- قم بإرتداء واقيات أذن عند الثقب العنيف التعرض للضوضاء يمكن أن يسبب فقدان السمع
- استخدم المقبض (المقابض) المساعد فقدان السيطرة يمكن أن يسبب الإصابة الشخصية









1

6745

1050
Watt

2,6 kg

2^{speed}

1
 n_0
0-1200
/min

2
 n_0
0-3200
/min

2-
13 mm

0-20400
p/min

0-54400
p/min

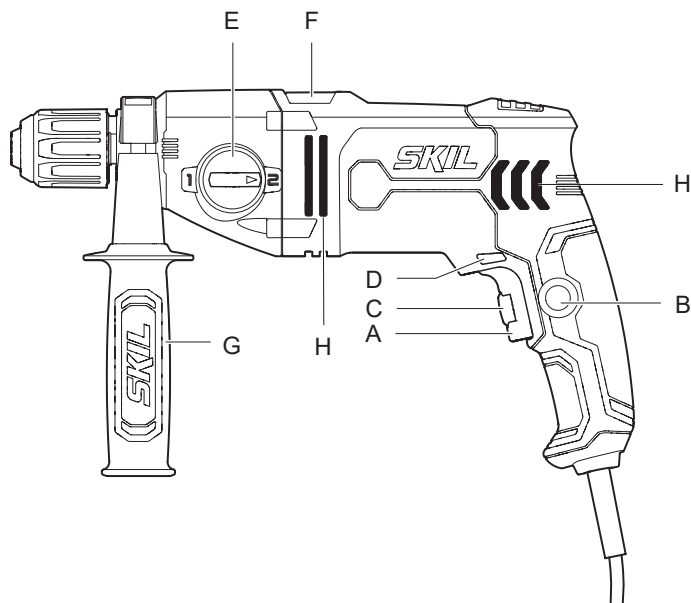
Fe
13mm

20mm

50mm

220
-
240
V~
50-60 Hz

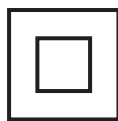
2



3



4



5



مثقاب مطرقي

6745

SKIL®



دليل الاستعمال

AR

راهنمای اصلي

FA

