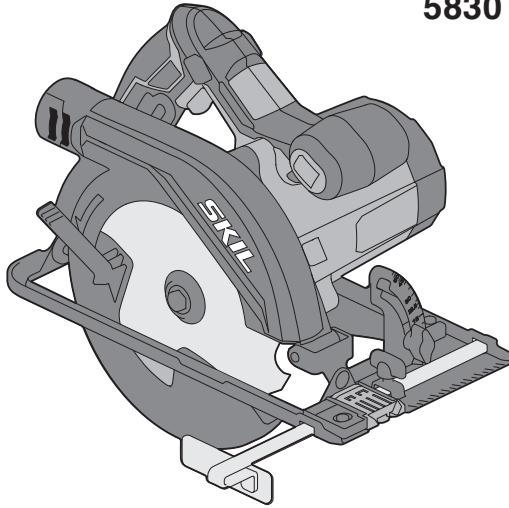


# SKIL®

## CIRCULAR SAW 5820 (SW1\*5820\*\*) 5830 (SW1\*5830\*\*)



|            |  |    |            |   |     |
|------------|--|----|------------|---|-----|
| <b>GB</b>  | ORIGINAL INSTRUCTIONS                    | 10 | <b>UA</b>  | ОРИГІНАЛЬНА ІНСТРУКЦІЯ<br>З ЕКСПЛУАТАЦІЇ  | 91  |
| <b>F</b>   | NOTICE ORIGINALE                         | 14 | <b>GR</b>  | ΠΡΟΤΟΤΥΠΟ ΟΔΗΓΙΩΝ ΧΡΗΣΗΣ                  | 97  |
| <b>D</b>   | ORIGINALBETRIEBSANLEITUNG                | 19 | <b>RO</b>  | INSTRUCȚIUNI DE FOLOSIRE<br>ORIGINALE     | 103 |
| <b>NL</b>  | ORIGINELE GEBRUIKSAANWIJZING             | 25 | <b>BG</b>  | ОРИГИНАЛНО РЪКОВОДСТВО<br>ЗА ЕКСПЛОАТАЦИЯ | 108 |
| <b>S</b>   | BRUKSANVISNING I ORIGINAL                | 30 | <b>SK</b>  | PŮVODNÝ NÁVOD NA POUŽITIE                 | 114 |
| <b>DK</b>  | ORIGINAL BRUGSANVISNING                  | 35 | <b>HR</b>  | ORIGINALNE UPUTE ZA RAD                   | 119 |
| <b>N</b>   | ORIGINAL BRUKSANVISNING                  | 39 | <b>SRB</b> | ORIGINALNO UPUTSTVO ZA RAD                | 123 |
| <b>FIN</b> | ALKUPERÄISET OHJEET                      | 44 | <b>SLO</b> | IZVIRNA NAVODILA                          | 128 |
| <b>E</b>   | MANUAL ORIGINAL                          | 49 | <b>EST</b> | ALGUPÄRANE KASUTUSJUHEND                  | 133 |
| <b>P</b>   | MANUAL ORIGINAL                          | 54 | <b>LV</b>  | ORIĢINĀLĀ LIETOŠANAS PAMĀCĪBA             | 138 |
| <b>I</b>   | ISTRUZIONI ORIGINALI                     | 59 | <b>LT</b>  | ORIGINALI INSTRUKCIJA                     | 143 |
| <b>H</b>   | EREDETI HASZNÁLATI UTASÍTÁS              | 65 | <b>MK</b>  | ИЗБОРНО УПАТСТВО ЗА РАБОТА                | 148 |
| <b>CZ</b>  | PŮVODNÍM NÁVODEM K POUŽÍVÁNÍ             | 70 | <b>AL</b>  | UDHËZIMET ORIGINALE                       | 154 |
| <b>TR</b>  | ORIJİNAL İŞLETME TALİMATI                | 75 | <b>AR</b>  | دليل الاستعمال                            | 169 |
| <b>PL</b>  | INSTRUKCJA ORYGINALNA                    | 79 | <b>FA</b>  | راهنمای اصلی                              | 166 |
| <b>RU</b>  | ПОДЛИННИК РУКОВОДСТВА ПО<br>ЭКСПЛУАТАЦИИ | 85 |            |   |     |




# EAC

[www.skil.com](http://www.skil.com)



|            |                                 |                    |  |
|------------|---------------------------------|--------------------|--|
| <b>GB</b>  | EU Declaration of conformity    |                    | We declare under our sole responsibility that the stated products comply with all applicable provisions of the directives and regulations listed below and are in conformity with the following standards.<br>Technical file at:*  |
|            | Circular saw                    | Article number     |  |
| <b>F</b>   | Déclaration de conformité UE    |                    | Nous déclarons sous notre propre responsabilité que les produits décrits sont en conformité avec les directives, règlements normatifs et normes énumérés ci-dessous.<br>Dossier technique auprès de:*  |
|            | Scie circulaire                 | Numéro d'article   |  |
| <b>D</b>   | EU-Konformitätserklärung        |                    | Wir erklären in alleiniger Verantwortung, dass die genannten Produkte allen einschlägigen Bestimmungen der nachfolgend aufgeführten Richtlinien und Verordnungen entsprechen und mit folgenden Normen übereinstimmen.<br>Technische Unterlagen bei:*                             |
|            | Handkreissäge                   | Sachnummer         |  |
| <b>NL</b>  | EU-conformiteitsverklaring      |                    | Wij verklaren op eigen verantwoordelijkheid dat de genoemde producten voldoen aan alle desbetreffende bepalingen van de hierna genoemde richtlijnen en verordeningen en overeenstemmen met de volgende normen.<br>Technisch dossier bij:*  |
|            | Cirkelzaag                      | Productnummer      |  |
| <b>S</b>   | EU-konformitetsförklaring       |                    | Vi förklarar under eget ansvar att de nämnda produkterna uppfyller kraven i alla gällande bestämmelser i de nedan angivna direktiven och förordningarna och att de stämmer överens med följande normer.<br>Teknisk dokumentation:*   |
|            | Cirkelsåg                       | Produktnummer      |  |
| <b>DK</b>  | EU-overensstemmelseserklæring   |                    | Vi erklærer som eneansvarlige, at det beskrevne produkt er i overensstemmelse med alle gældende bestemmelser i følgende direktiver og forordninger og opfylder følgende standarder.<br>Tekniske bilag ved:*  |
|            | Rundsav                         | Typenummer         |  |
| <b>N</b>   | EU-samsvarserklæring            |                    | Vi erklærer under eneansvar at de nevnte produktene er i overensstemmelse med alle relevante bestemmelser i direktivene og forordningene nedenfor og med følgende standarder.<br>Teknisk dokumentasjon hos:*   |
|            | Sirkelsag                       | Produktnummer      |  |
| <b>FIN</b> | EU-vaatimustenmukaisuusvakuutus |                    | Vakuutamme täten, että mainitut tuotteet vastaavat kaikkia seuraavien direktiivien ja asetusten asiaankuuluvia vaatimuksia ja ovat seuraavien standardien vaatimusten mukaisia.<br>Tekniset asiakirjat saatavana:*   |
|            | Käsiypyrösaaha                  | Tuotenumero        |  |
| <b>E</b>   | Declaración de conformidad UE   |                    | Declaramos bajo nuestra exclusiva responsabilidad, que los productos nombrados cumplen con todas las disposiciones correspondientes de las directivas y los reglamentos mencionados a continuación y están en conformidad con las siguientes normas.<br>Documentos técnicos de:* |
|            | Sierra circular                 | Número de artículo |  |
| <b>P</b>   | Declaração de conformidade CE   |                    | Declaramos sob nossa exclusiva responsabilidade que os produtos mencionados cumprem todas as disposições e os regulamentos indicados e estão em conformidade com as seguintes normas.<br>Documentação técnica pertencente à:*  |
|            | Serra circular                  | Número do produto  |  |
| <b>I</b>   | Dichiarazione di conformità UE  |                    | Dichiariamo sotto la nostra piena responsabilità che i prodotti indicati sono conformi a tutte le disposizioni pertinenti delle direttive e dei regolamenti elencati di seguito, nonché alle seguenti normative.<br>Documentazione tecnica presso:*                              |
|            | Sega circolare                  | Codice prodotto    |  |
| <b>H</b>   | EU konformitási nyilatkozat     |                    | Egyedüli felelőséggel kijelentjük, hogy a megnevezett termékek megfelelnek az alábbiakban felsorolásra kerülő irányelvek és rendeletek valamennyi idevágó előírásainak és megfelelnek a következő szabványoknak.<br>Műszaki dokumentumok megőrzési pontja:*                      |
|            | Kőrfűrész                       | Cikkszám           |  |
| <b>CZ</b>  | EU prohlášení o shodě           |                    | Prohlašujeme na výhradní zodpovědnost, že uvedený výrobek splňuje všechna příslušná ustanovení níže uvedených směrnic a nařízení a je v souladu s následujícími normami.<br>Technické podklady u:*   |
|            | Kotoučová pila                  | Objednací číslo    |  |
| <b>TR</b>  | AB Uygunluk beyanı              |                    | Tek sorumlu olarak, tanımlanan ürünün aşağıdaki yönetmelik ve direktiflerin geçeri bütün hükümlerine ve aşağıdaki standartlara uygun olduğunu beyan ederiz.<br>Teknik belgelerin bulunduğu yer:*   |
|            | Daire testere                   | Ürün kodu          |  |
| <b>PL</b>  | Deklaracja zgodności UE         |                    | Oświadczamy z pełną odpowiedzialnością, że niniejsze produkty odpowiadają wszystkim wymaganiom poniżej wyszczególnionych dyrektyw i rozporządzeń, oraz że są zgodne z następującymi normami.<br>Dokumentacja techniczna:*  |
|            | Pilarka tarczowa                | Numer katalogowy   |  |
| <b>RU</b>  | Заявление о соответствии ЕС     |                    | Мы заявляем под нашу единоличную ответственность, что названные продукты соответствуют всем действующим предписаниям нижеуказанных директив и распоряжений, а также нижеуказанных норм.<br>Техническая документация хранится у:*   |
|            | Циркулярная пила                | Товарный номер     |  |
| <b>UA</b>  | Заява про відповідність ЄС      |                    | Мизаявляємо під нашу одноособову відповідальність, що названі вироби відповідають усім чинним положенням нищезначених директив і розпоряджень, а також нищезначеним нормам.<br>Технічна документація зберігається у:*  |
|            | Дискова пила                    | Товарний номер     |  |

|            |   |                       |  |
|------------|---|-----------------------|--|
| <b>GR</b>  | Δήλωση πιστότητας ΕΕ                      |                       | Δηλώνουμε με αποκλειστική μας ευθύνη, ότι τα αναφερόμενα προϊόντα αντιστοιχούν σε όλες τις σχετικές διατάξεις των πιο κάτω αναφερόμενων οδηγιών και κανονισμών και ταυτίζονται με τα ακόλουθα πρότυπα. Τεχνικά έγγραφα στη:                              |
|            | Διακοπρίονο                               | Αριθμός ευρετηρίου    |  |
| <b>RO</b>  | Declarație de conformitate UE             |                       | Declarăm pe proprie răspundere că produsele menționate corespund tuturor dispozițiilor relevante ale directivelor și reglementărilor enumerate în cele ce urmează și sunt în conformitate cu următoarele standarde. Documentație tehnică la:*            |
|            | Ferăstrău circular                        | Număr de identificare |  |
| <b>BG</b>  | ЕС декларация за съответствие             |                       | С пълна отговорност ние декларираме, че посочените продукти отговарят на всички валидни изисквания на директивите и разпоредбите по-долу и съответства на следните стандарти. Техническа документация при:*  |
|            | Ръчен циркуляр                            | Каталожен номер       |  |
| <b>SK</b>  | Pôvodnej EU vyhlásenie o zhode            |                       | Vyhlasujeme na výhradnú zodpovednosť, že uvedený výrobok spĺňa všetky príslušné ustanovenia nižšie uvedených smerníc a nariadení a je v súlade s nasledujúcimi normami. Technické podklady má spoločnosť:*   |
|            | Okružná píla                              | Vecné číslo           |  |
| <b>HR</b>  | EU izjava o skladnosti                    |                       | Pod punom odgovornošću izjavljujemo da navedeni proizvodi odgovaraju svim relevantnim odredbama direktiva i propisima navedenima u nastavku i da su skladni sa sljedećim normama. Tehnička dokumentacija se može dobiti kod:*                            |
|            | Kružna pila                               | Kataloški broj        |  |
| <b>SRB</b> | EU-izjava o usaglašenosti                 |                       | Na sopstvenu odgovornost izjavljujemo, da navedeni proizvodi odgovaraju svim dotičnim odredbama naknadno navedenih smernica u uredaba i da su u skladu sa sledećim standardima. Tehnička dokumentacija kod:*   |
|            | Kružna testera                            | Broj predmeta         |  |
| <b>SLO</b> | Izjava o skladnosti ES                    |                       | Izjavlamo pod izključno odgovornostjo, da je omenjen izdelek v skladu z vsemi relevantnimi določili direktiv in uredb ter ustreza naslednjim standardom. Tehnična dokumentacija pri:*  |
|            | Krožna žaga                               | Številka artikla      |  |
| <b>EST</b> | EL-vastavusdeklaratsioon                  |                       | Kinnitame ainuvastutajatena, et nimetatud tooted vastavad järgnevalt loetletud direktiivide ja määruste kõikiolulise asjaomastele nõuetele ja on kooskõlas järgmistega normidega. Tehnilised dokumendid saadaval:*                                       |
|            | Ketassaag                                 | Tootenumber           |  |
| <b>LV</b>  | Deklarācija par atbilstību EK standartiem |                       | Mēs ar pilnu atbildību paziņojam, ka šeit aplūkoti izstrādājumi atbilst visiem tālāk minētajās direktīvas un rīkojuma ietvertajām saistošajām nostādņēm, kā arī sekojošiem standartiem. Tehniskā dokumentācija no:*                                      |
|            | Ripzāģis                                  | Izstrādājuma numurs   |  |
| <b>LT</b>  | ES atitikties deklaracija                 |                       | Atsakingai pareiškiame, kad išvardyti gaminiai atitinka visus privalomus žemiau nurodytų direktyvų ir reglamentų reikalavimus ir šiuos standartus. Techninė dokumentacija saugoma:*  |
|            | Diskinis pjūklas                          | Gaminio numeris       |  |
| <b>MK</b>  | EU-Изјава за сообразност                  |                       | Со целосна одговорност изјавуваме, дека опишаните производи се во согласност со сите релевантни одредби на следните регулативи и прописи и се во согласност со следните норми. Техничка документација кај:*  |
|            | Циркуларна пила                           | Број на артикл        |  |
| <b>AL</b>  | EU Deklarata e konformitetit              |                       | Ne deklarojmë me përgjegjësinë tonë të vetme se produktet e paraqitura janë në përputhje me të gjitha dispozitat e zbatueshme të direktivave dhe rregulloreve të listuara më poshtë dhe janë në përputhje me standardet si më poshtë. Dosja teknike në:* |
|            | Sharra rrethore                           | Numri i nenit         |  |
|            | <b>5820</b>                               | SW1*5820**            | 2006/42/EC EN 62841-1:2015<br>2014/30/EU EN 62841-2-5:2014<br>2011/65/EU   |
|            | <b>5830</b>                               | SW1*5830**            | EN61000-3-2:2014<br>EN61000-3-11:2000<br>EN 55014-1:2006 + A1:2009 + A2:2011<br>EN 55014-2:2015<br>EN 50581:2012   |
|            |   |                       | <b>SKIL</b> * Skil BV<br>Konijnenberg 62<br>4825 BD Breda<br>The Netherlands   |
|            |   |                       | Olaf Dijkgraaf<br>Approval Manager<br>  |
|            |   |                       | Skil BV, Konijnenberg 62, 4825 BD Breda, NL<br>18.09.2018  |

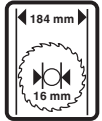
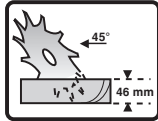
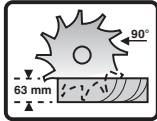
1

# 5820

**1250**  
Watt

  
 $n_0$   
5300  
/min

  
3,8 kg



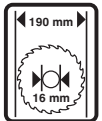
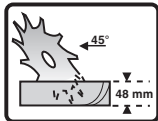
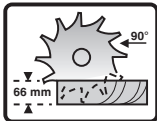
220  
-  
240  
V~  
50-60 Hz

# 5830

**1400**  
Watt

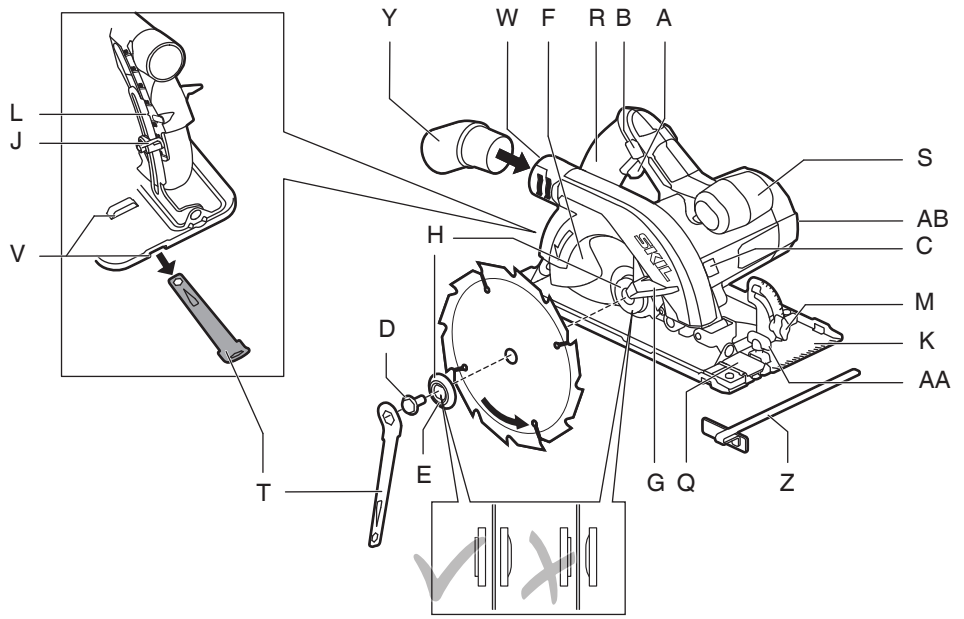
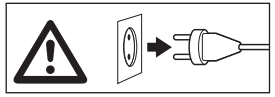
  
 $n_0$   
5300  
/min

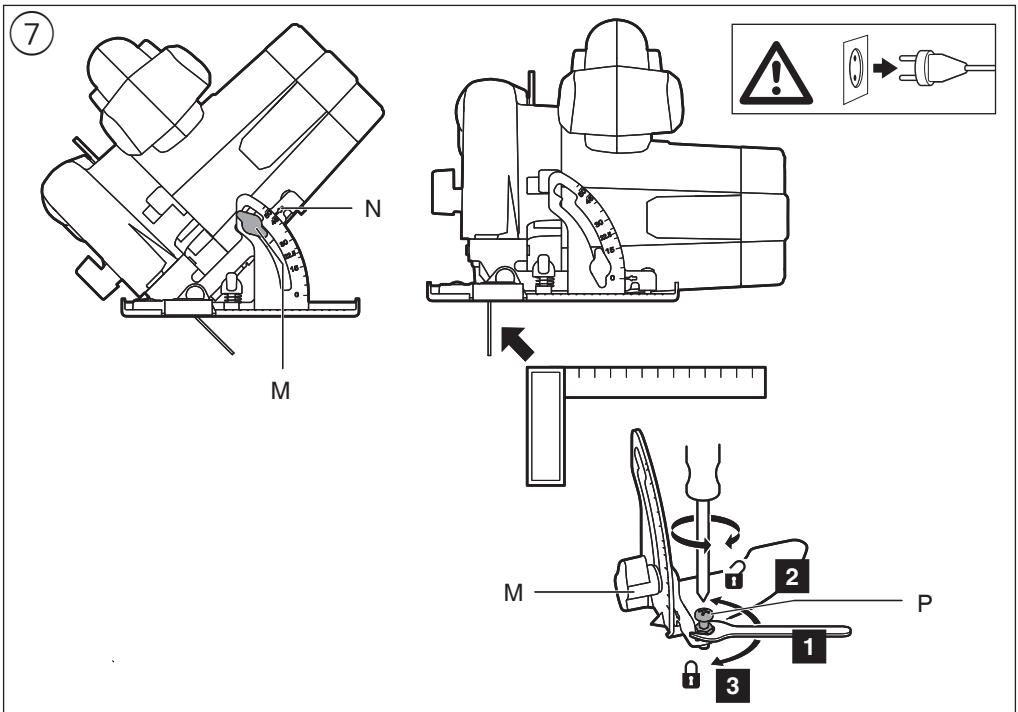
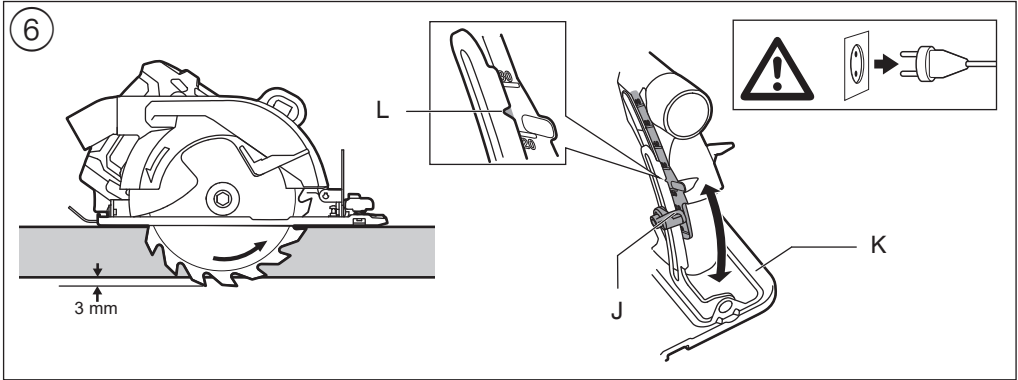
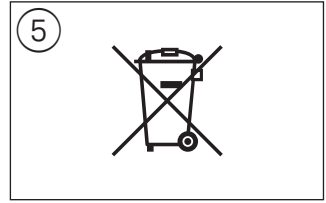
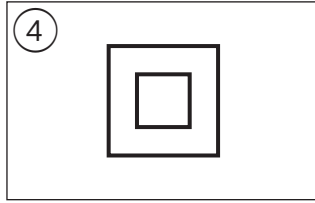
  
3,8 kg



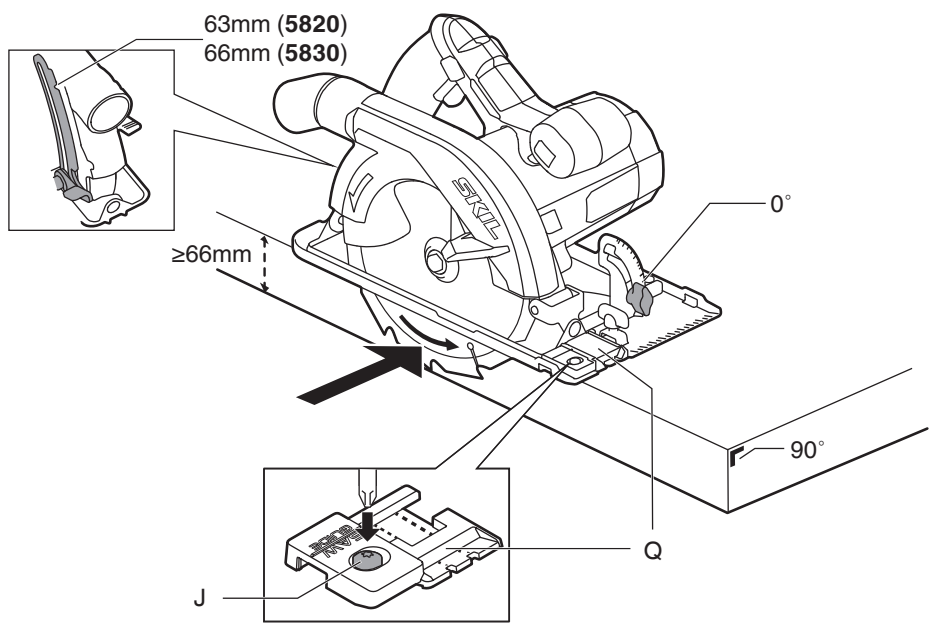
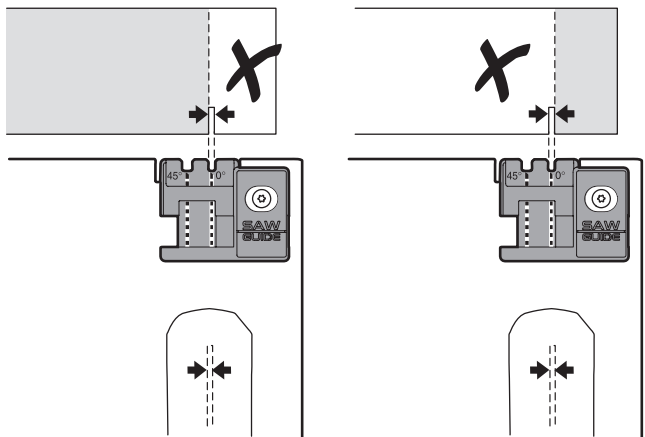
220  
-  
240  
V~  
50-60 Hz

2

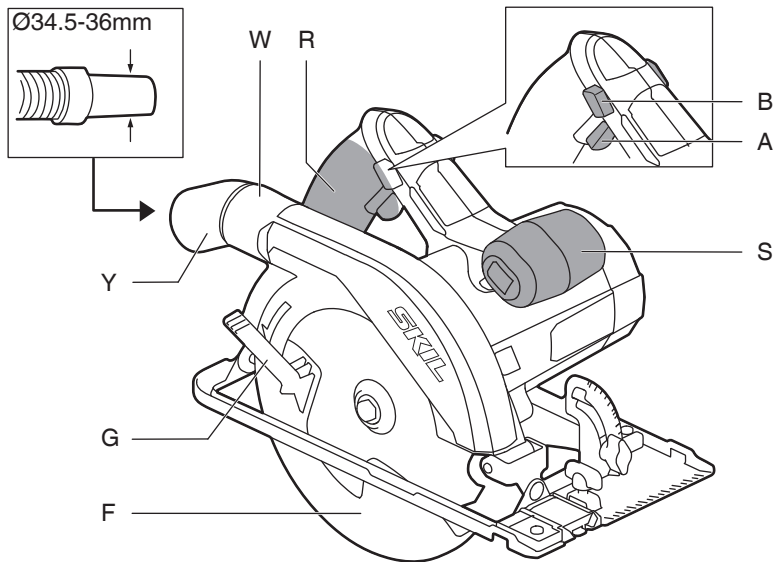




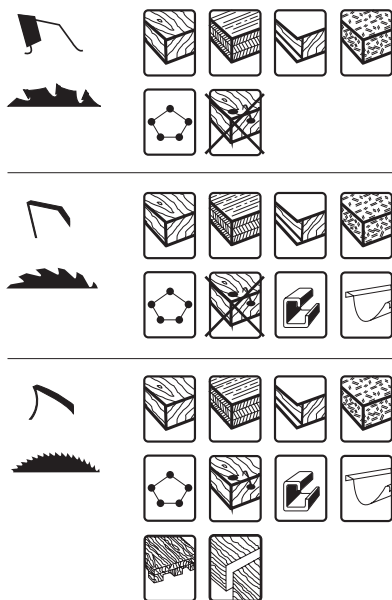
8



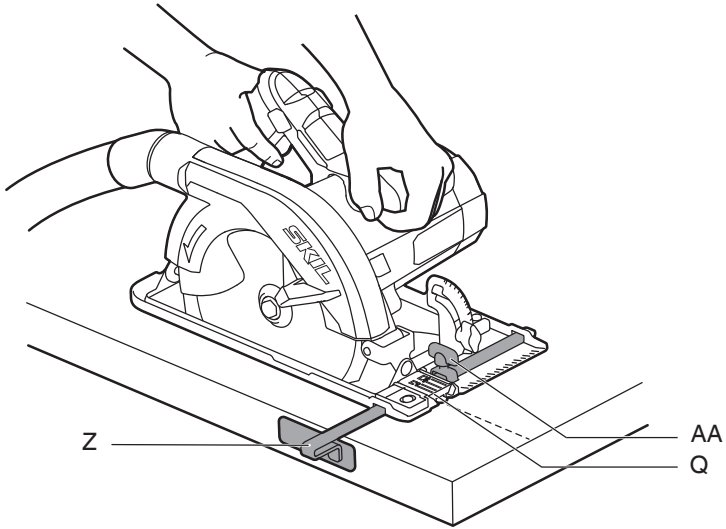
9



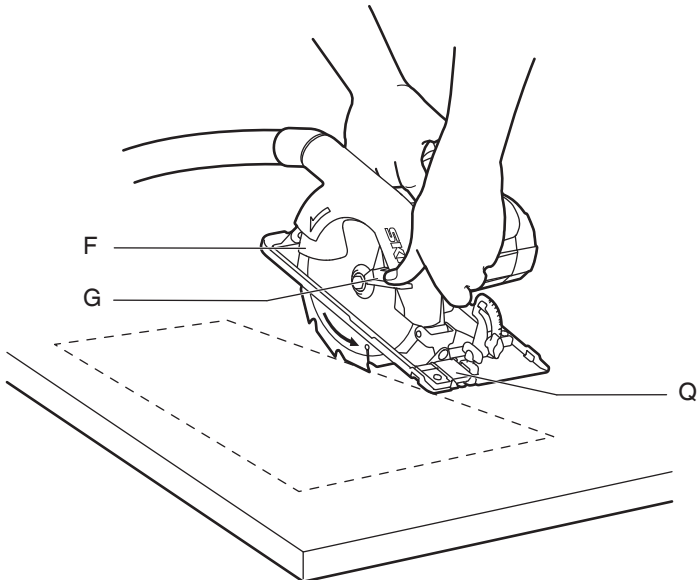
10



11

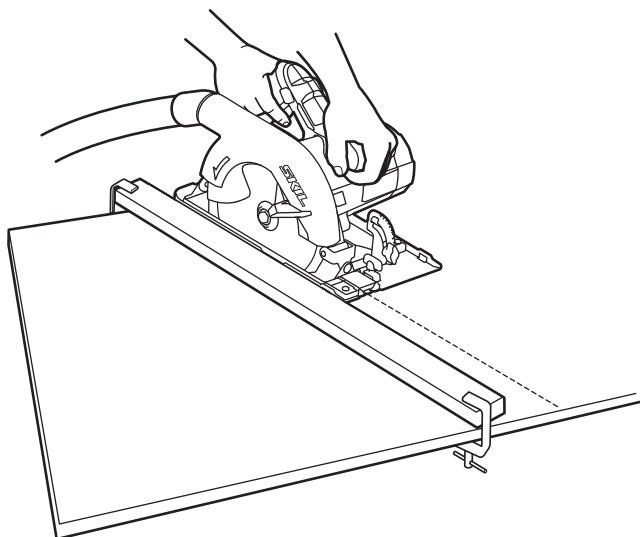
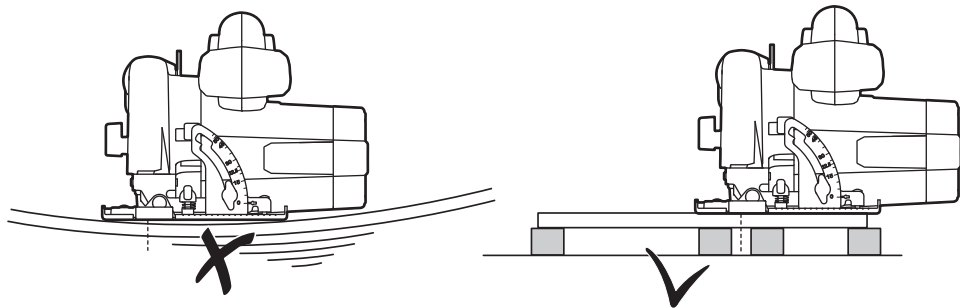


12





13



ACCESSORIES



WWW.SKIL.COM

## Circular saw 5820/5830

### INTRODUCTION

- This tool is intended for lengthways and crossways cutting of wood with straight cuts as well as angle cuts up to 50°; with the appropriate saw blades also non-ferrous metals, light building materials and plastics can be cut
- This tool is not intended for professional use
- Read and save this instruction manual ③

### TECHNICAL DATA ①

### TOOL ELEMENTS ②

- A Trigger switch
- B Safety switch
- C Spindle-lock button
- D Blade bolt
- E Flange
- F Lower guard
- G Lever for opening lower guard
- H Clamping surface
- J Knob for setting sawing depth
- K Foot plate
- L Cutting depth indicator
- M Knob for adjusting cutting angle
- N Cutting angle indicator
- P Screw for adjusting 90° end stop
- Q Saw line visor
- R Rear handle
- S Front handle
- T Blade wrench
- V Storage for blade wrench
- W Chip outlet
- Y Vacuum cleaner adapter
- Z Parallel guide
- AA Knob for adjusting parallel guide
- AB Ventilation slots

### SAFETY

#### GENERAL POWER TOOL SAFETY WARNINGS

**⚠ WARNING** Read all safety warnings, instructions, illustrations and specifications provided with this power tool. Failure to follow all instructions listed below may result in electric shock, fire and/or serious injury.

Save all warnings and instructions for future reference.

The term "power tool" in the warnings refers to your mains-operated (corded) power tool or battery-operated (cordless) power tool.

#### 1) WORK AREA SAFETY

- a) **Keep work area clean and well lit.** Cluttered or dark areas invite accidents.
- b) **Do not operate power tools in explosive atmospheres, such as in the presence of flammable liquids, gases or dust.** Power tools create sparks which

may ignite the dust or fumes.

- c) **Keep children and bystanders away while operating a power tool.** Distractions can cause you to lose control.
- #### 2) ELECTRICAL SAFETY
- a) **Power tool plugs must match the outlet. Never modify the plug in any way. Do not use any adapter plugs with earthed (grounded) power tools.** Unmodified plugs and matching outlets will reduce risk of electric shock.
  - b) **Avoid body contact with earthed or grounded surfaces such as pipes, radiators, ranges and refrigerators.** There is an increased risk of electric shock if your body is earthed or grounded.
  - c) **Do not expose power tools to rain or wet conditions.** Water entering a power tool will increase the risk of electric shock.
  - d) **Do not abuse the cord. Never use the cord for carrying, pulling or unplugging the power tool. Keep cord away from heat, oil, sharp edges or moving parts.** Damaged or entangled cords increase the risk of electric shock.
  - e) **When operating a power tool outdoors, use an extension cord suitable for outdoor use.** Use of a cord suitable for outdoor use reduces the risk of electric shock.
  - f) **If operating a power tool in a damp location is unavoidable, use a residual current device (RCD) protected supply.** Use of an RCD reduces the risk of electric shock.
- #### 3) PERSONAL SAFETY
- a) **Stay alert, watch what you are doing and use common sense when operating a power tool. Do not use a power tool while you are tired or under the influence of drugs, alcohol or medication.** A moment of inattention while operating power tools may result in serious personal injury.
  - b) **Use personal protective equipment. Always wear eye protection.** Protective equipment such as a dust mask, non-skid safety shoes, hard hat, or hearing protection used for appropriate conditions will reduce personal injuries.
  - c) **Prevent unintentional starting. Ensure the switch is in the off-position before connecting to power source and/or battery pack, picking up or carrying the tool.** Carrying power tools with your finger on the switch or energising power tools that have the switch on invites accidents.
  - d) **Remove any adjusting key or wrench before turning the power tool on.** A wrench or a key left attached to a rotating part of the power tool may result in personal injury.
  - e) **Do not overreach. Keep proper footing and balance at all times.** This enables better control of the power tool in unexpected situations.
  - f) **Dress properly. Do not wear loose clothing or jewellery. Keep your hair and clothing away from moving parts.** Loose clothes, jewellery or long hair can be caught in moving parts.
  - g) **If devices are provided for the connection of dust extraction and collection facilities, ensure these are connected and properly used.** Use of dust collection can reduce dust-related hazards.
  - h) **Do not let familiarity gained from frequent use of**

tools allow you to become complacent and ignore tool safety principles. A careless action can cause severe injury within a fraction of a second.

#### 4) POWER TOOL USE AND CARE

- a) **Do not force the power tool. Use the correct power tool for your application.** The correct power tool will do the job better and safer at the rate for which it was designed.
  - b) **Do not use the power tool if the switch does not turn it on and off.** Any power tool that cannot be controlled with the switch is dangerous and must be repaired.
  - c) **Disconnect the plug from the power source and/ or remove the battery pack, if detachable, from the power tool before making any adjustments, changing accessories, or storing power tools.** Such preventive safety measures reduce the risk of starting the power tool accidentally.
  - d) **Store idle power tools out of the reach of children and do not allow persons unfamiliar with the power tool or these instructions to operate the power tool.** Power tools are dangerous in the hands of untrained users.
  - e) **Maintain power tools and accessories. Check for misalignment or binding of moving parts, breakage of parts and any other condition that may affect the power tool's operation. If damaged, have the power tool repaired before use.** Many accidents are caused by poorly maintained power tools.
  - f) **Keep cutting tools sharp and clean.** Properly maintained cutting tools with sharp cutting edges are less likely to bind and are easier to control.
  - g) **Use the power tool, accessories and tool bits etc., in accordance with these instructions, taking into account the working conditions and the work to be performed.** Use of the power tool for operations different from those intended could result in a hazardous situation.
  - h) **Keep handles and grasping surfaces dry, clean and free from oil and grease.** Slippery handles and grasping surfaces do not allow for safe handling and control of the tool in unexpected situations.
- #### 5) SERVICE
- a) **Have your power tool serviced by a qualified repair person using only identical replacement parts.** This will ensure that the safety of the power tool is maintained.

### SAFETY WARNINGS FOR CIRCULAR SAWS

#### 1) CUTTING PROCEDURES

- a) **DANGER : Keep hands away from cutting area and the blade. Keep your second hand on auxiliary handle, or motor housing.** If both hands are holding the saw, they can not be cut by the blade.
- b) **Do not reach underneath the workpiece.** The guard cannot protect you from the blade below the workpiece.
- c) **Adjust the cutting depth to the thickness of the workpiece.** Less than a full tooth of the blade teeth should be visible below the workpiece.
- d) **Never hold the workpiece being cut in your hands or across your leg. Secure the workpiece to a stable platform.** It is important to support the work properly to minimize body exposure, blade binding, or loss of control.
- e) **Hold the power tool by the insulated gripping surfaces only, because the cutting blades may**

**contact hidden wiring or its own cord** (cutting blades contacting a "live" wire may make exposed metal parts of the power tool "live" and could give the operator an electric shock)

- f) **When ripping always use a parallel guide or straight edge guide.** This improves the accuracy of cut and reduces the chance of blade binding.
  - g) **Always use blades with correct size and shape (diamond versus round) of arbour holes.** Blades that do not match the mounting hardware of the saw will run eccentrically, causing loss of control.
  - h) **Never use damaged or incorrect blade washers or bolt.** The blade washers and bolt were specially designed for your saw, for optimum performance and safety of operation.
- #### 2) KICKBACK CAUSES AND RELATED WARNINGS
- Kickback is a sudden reaction to a pinched, bound or misaligned saw blade, causing an uncontrolled saw to lift up and out of the workpiece toward the operator
  - When the blade is pinched or bound tightly by the kerf closing down, the blade stalls and the motor reaction drives the unit rapidly back toward the operator
  - If the blade becomes twisted or misaligned in the cut, the teeth at the back edge of the blade can dig into the top surface of the wood causing the blade to climb out of the kerf and jump back towards operator
  - Kickback is the result of power tool misuse and/or incorrect operating procedures or conditions and can be avoided by taking proper precautions as given below.
- a) **Maintain a firm grip with both hands on the saw and position your arms to resist kickback forces. Position your body to either side of the blade, but not in line with the blade.** Kickback could cause the saw to jump backwards, but kickback forces can be controlled by the operator, if proper precautions are taken.
  - b) **When blade is binding, or when interrupting a cut for any reason, release the trigger and hold the saw motionless in the material until the blade comes to a complete stop. Never attempt to remove the saw from the work or pull the saw backwards while the blade is in motion or kickback may occur.** Investigate and take corrective actions to eliminate the cause of blade binding. Avoid cutting nails or screws.
  - c) **When restarting a saw in the workpiece, centre the saw blade in the kerf and check that saw teeth are not engaged into the material.** If saw blade is binding, it may walk up or kickback from the workpiece as the saw is restarted.
  - d) **Support large panels to minimise the risk of blade pinching and kickback.** Large panels tend to sag under their own weight. Supports must be placed under the panel on both sides, near the line of cut and near the edge of the panel.
  - e) **Do not use dull or damaged blades.** Unsharpened or improperly set blades produce narrow kerf causing excessive friction, blade binding and kickback.
  - f) **Blade depth and bevel adjusting locking levers must be tight and secure before making cut.** If blade adjustment shifts while cutting, it may cause binding and kickback.
  - g) **Use extra caution when sawing into existing walls or other blind areas.** The protruding blade may cut objects

that can cause kickback.

## 1) LOWER GUARD FUNCTION

- a) **Check lower guard for proper closing before each use. Do not operate the saw if lower guard does not move freely and close instantly. Never clamp or tie the lower guard into the open position.** If saw is accidentally dropped, lower guard may be bent. Disconnect the plug, raise the lower guard with the retracting handle and make sure it moves freely and does not touch the blade or any other part, in all angles and depths of cut.
- b) **Check the operation of the lower guard spring. If the guard and the spring are not operating properly, they must be serviced before use.** Lower guard may operate sluggishly due to damaged parts, gummy deposits, or a build-up of debris.
- c) **Lower guard should be retracted manually only for special cuts such as plunge cuts and compound cuts. Raise lower guard by retracting handle and as soon as blade enters the material, the lower guard must be released.** For all other sawing, the lower guard should operate automatically.
- d) **Always observe that the lower guard is covering the blade before placing saw down on bench or floor.** An unprotected, coasting blade will cause the saw to walk backwards, cutting whatever is in its path. Be aware of the time it takes for the blade to stop after switch is released.

## ADDITIONAL SAFETY WARNINGS

- Inrush currents cause short-time voltage drops; under unfavourable power supply conditions, other equipment may be affected (if the system impedance of the power supply is lower than 0.468 Ohm, disturbances are unlikely to occur); if you need further clarification, you may contact your local power supply authority

## GENERAL

- This tool should not be used by people under the age of 16 years
- This tool is not suitable for wet cutting
- **Always disconnect plug from power source before making any adjustment or changing any accessory**
- Never use the tool when the cord is damaged; it must be replaced by a specially prepared cord available through the service organization.
- **Do not work materials containing asbestos** (asbestos is considered carcinogenic)
- Dust from material such as paint containing lead, some wood species, minerals and metal may be harmful (contact with or inhalation of the dust may cause allergic reactions and/or respiratory diseases to the operator or bystanders); **wear a dust mask and work with a dust extraction device when connectable**
- Certain kinds of dust are classified as carcinogenic (such as oak and beech dust) especially in conjunction with additives for wood conditioning; **wear a dust mask and work with a dust extraction device when connectable**
- Follow the dust-related national requirements for the materials you want to work with
- Only use a saw table provided with a switch that prevents restarting of the motor after interruption of voltage
- Only use a saw table provided with a kerf guide

## ACCESSORIES

- SKIL can assure flawless functioning of the tool only when original accessories are used
- Use only saw blades that correspond with the characteristic data given in these operation instructions and that are tested and marked in accordance with EN 847-1
- Use only accessories with an allowable speed matching at least the highest no-load speed of the tool
- Use only saw blades with a minimum diameter of 184 mm, a maximum diameter of 184 mm and a spindle hole of 16 mm (**5820**)
- Use only saw blades with a minimum diameter of 190 mm, a maximum diameter of 190 mm and a spindle hole of 16 mm (**5830**)
- Never use saw blades made of high speed steel (HSS)
- Never use grinding/cutting discs with this tool

## BEFORE USE

- Always check that the supply voltage is the same as the voltage indicated on the nameplate of the tool
- Avoid damage that can be caused by screws, nails and other elements in your workpiece; remove them before you start working
- Remove all obstacles on top of as well as underneath the cutting path before you start cutting
- **Secure the workpiece** (a workpiece clamped with clamping devices or in a vice is held more securely than by hand)
- **Use suitable detectors to find hidden utility lines or call the local utility company for assistance** (contact with electric lines can lead to fire or electrical shock; damaging a gas line can result in an explosion; penetrating a water pipe will cause property damage or an electrical shock)
- Use completely unrolled and safe extension cords with a capacity of 16 Amps (U.K. 13 Amps)

## DURING USE

- The noise level when working can exceed 85 dB(A); wear ear protection
- Never use the tool without the original protection guard system
- Do not attempt to cut extremely small workpieces
- Do not work overhead with the tool
- In case of jamming or electrical or mechanical malfunction, immediately switch off the tool and disconnect the plug
- If the cord is damaged or cut through while working, do not touch the cord, but immediately disconnect the plug

## AFTER USE

- When you put away the tool, switch off the motor and ensure that all moving parts have come to a complete standstill
- After switching off your circular saw, never stop the rotation of the saw blade by a lateral force applied against it

## EXPLANATION OF SYMBOLS ON TOOL

- ③ Read the instruction manual before use
- ④ Double insulation (no earth wire required)
- ⑤ Do not dispose of the tool together with household waste material

## WHEN CONNECTING NEW 3-PIN PLUG (U.K. ONLY):

- Do not connect the blue (= neutral) or brown (= live) wire in the cord of this tool to the earth terminal of the plug
- If for any reason the old plug is cut off the cord of this tool, it must be disposed of safely and not left unattended

## USE

- Mounting saw blade ②
  - ! **disconnect the plug**
  - take blade wrench T from storage V
  - push spindle-lock button C and hold it while you remove blade bolt D with blade wrench T
  - ! **push spindle-lock button C only when tool is at a standstill**
  - release spindle-lock button C
  - remove flange E
  - ! **make sure that clamping surfaces H of flanges are perfectly clean and face the blade**
  - open lower guard F with lever G and hold it while you mount saw blade with saw teeth and arrow printed on saw blade pointing in same direction as arrow on upper guard
  - release lower guard F
  - mount flange E
  - push spindle-lock button C and hold it while you tighten blade bolt with blade wrench 1/8 turn past finger tight (ensures slippage of saw blade when it encounters excessive resistance thus reducing motor overload and saw kickback)
  - release spindle-lock button C
- Adjusting cutting depth ⑥
  - for an optimal quality cut the saw blade should not extend more than 3 mm below the workpiece
  - loosen knob J
  - raise/lower foot K until desired cutting depth is set on scale using indicator L
  - tighten knob J
- Adjusting cutting angle (0-50°) ⑦
  - loosen knob M
  - tilt tool until desired cutting angle is set on scale using indicator N
  - tighten knob M
  - ! **when bevel cutting, cutting depth does not correspond with value on cutting depth scale**
- 90° Cutting angle check ⑦
  - adjust and tighten foot K to maximum cutting depth ⑥
  - adjust and tighten cutting angle to 0°
  - check for a 90° angle between the blade and bottom of foot with a square
  - if adjustment is needed, loosen knob M and use adjustment screw P as illustrated
- Adjustable saw line visor Q ⑧
  - for guiding tool along desired line of cut marked on the workpiece
  - for a straight 0° cut or a 45° bevel cut use the indicator line concerned
  - ! **the wide part of the foot should rest on the supported part of the workpiece**
  - can be adjusted to align with different sawblade widths, however it may be that one side of the saw blade does not align, then choose whether waste material is on inner or outer side of blade ⑧
  - ! **cutting width is determined by width of blade teeth and not by width of blade body**
  - ! **always make trial cuts first to verify actual line of cut**
- Dust suction
  - connect vacuum cleaner to extension Y ⑨

- ! **never let the vacuum cleaner hose interfere with the lower guard or the cutting operation**
- Operating the tool ⑨
  - connect plug to power source
  - always hold handle R firmly with one hand and handle S firmly with the other hand
  - place tool with front end of foot flat on workpiece
  - ! **ensure that the saw teeth are not engaged into the workpiece**
  - switch on tool by first pressing knob B (= safety switch which cannot be locked) and then pulling trigger A
  - ! **the tool should run at full speed before the blade enters into the workpiece**
  - lower guard F opens automatically when saw blade enters the workpiece (open lower guard manually by using lever G only for special cuts such as plunge cuts)
  - ! **do not force the tool (apply light and continuous pressure in order to avoid overheating the blade tips and, in case of cutting plastics, melting the plastic material)**
  - ! **while working, always hold the tool at the grey-coloured grip area(s)**
  - after completing the cut switch off tool by releasing trigger A
  - ! **ensure that the blade has come to a complete standstill, before you lift the tool from the workpiece**

## APPLICATION ADVICE

- Always face the good side of the workpiece down to ensure minimum splintering
- Only use sharp saw blades of the correct type ⑩
  - quality of cut improves by the number of teeth
  - carbide tipped blades stay sharp up to 30 times longer than ordinary blades
- Parallel guide Z ⑪
  - for making exact cuts along a workpiece edge
  - can be inserted in either side of footAdjusting parallel guide
  - loosen knob AA
  - adjust to desired cutting width by using parallel guide scale (use saw line visor Q as 0-reference)
  - tighten knob AA
- Plunge cutting ⑫
  - set desired cutting depth
  - tilt tool forward with saw line visor Q lined up with desired line of cut marked on the workpiece
  - open lower guard F with lever G
  - just before blade enters workpiece, switch on tool and gradually lower back end of tool using front end of foot as hinge-point
  - gradually move tool downward as well as forward
  - as soon as blade enters the material, release lever G
  - ! **never pull tool backwards**
- Cutting large panels ⑬
  - support panel close to the cut either on floor, table or workbench
  - ! **set cutting depth so that you cut through panel and not through support**
  - in case parallel guide does not allow desired width of cut, clamp or nail straight piece of wood to workpiece as a guide, and use the right side of the foot against this guide

## MAINTENANCE / SERVICE

- This tool is not intended for professional use
- Always keep tool and cord clean (especially ventilation slots AB)
- ! **disconnect the plug before cleaning**
- Always keep the area around lower guard F ② clean (remove dust and chips by blowing out with compressed air or with a brush)
- Clean saw blade immediately after use (especially from resin and glue)
- If the tool should fail despite the care taken in manufacturing and testing procedures, repair should be carried out by an after-sales service centre for SKIL power tools
  - send the tool **undismantled** together with proof of purchase to your dealer or the nearest SKIL service station (addresses as well as the service diagram of the tool are listed on [www.skil.com](http://www.skil.com))
- Be aware that damage due to overload or improper handling of the tool will be excluded from the warranty (for the SKIL warranty conditions see [www.skil.com](http://www.skil.com) or ask your dealer)

## ENVIRONMENT

- **Do not dispose of electric tools, accessories and packaging together with household waste material** (only for EU countries)
  - in observance of European Directive 2012/19/EC on waste of electric and electronic equipment and its implementation in accordance with national law, electric tools that have reached the end of their life must be collected separately and returned to an environmentally compatible recycling facility
  - symbol ⑤ will remind you of this when the need for disposing occurs

## NOISE / VIBRATION

- Measured in accordance with EN 62841 the sound pressure level of this tool is 97.0 dB(A) and the sound power level 108.0 dB(A) (uncertainty K = 3 dB), and the vibration \* (triax vector sum; uncertainty K = 1.5 m/s<sup>2</sup>)
  - \* cutting wood 4.0 m/s<sup>2</sup>
  - \* cutting metal 2.8 m/s<sup>2</sup>
- The vibration emission level has been measured in accordance with a standardised test given in EN 62841; it may be used to compare one tool with another and as a preliminary assessment of exposure to vibration when using the tool for the applications mentioned
  - using the tool for different applications, or with different or poorly maintained accessories, may significantly **increase** the exposure level
  - the times when the tool is switched off or when it is running but not actually doing the job, may significantly **reduce** the exposure level
- ! **protect yourself against the effects of vibration by maintaining the tool and its accessories, keeping your hands warm, and organizing your work patterns**

F

## Scie circulaire

5820/5830

## INTRODUCTION

- Cet outil est conçu pour effectuer dans le bois des coupes droites longitudinales et transversales ainsi que des angles d'onglet jusqu'à 50°; muni de lames de scie correspondantes, il est capable de scier des matériaux non-ferreux, des matériaux de construction légers et des matières plastiques
- Cet outil n'est pas conçu pour un usage professionnel
- Lisez et conservez ce manuel d'instruction ③

## CARACTERISTIQUES TECHNIQUES ①

### ELEMENTS DE L'OUTIL ②

- A Gâchette
- B Interrupteur de sécurité
- C Bouton de blocage de l'arbre
- D Boulon de la lame
- E Bride
- F Carter intérieur
- G Levier d'ouverture du carter intérieur
- H Surface de serrage
- J Bouton pour régler la profondeur de sciage
- K Semelle
- L Indicateur de profondeur de coupe
- M Bouton de réglage de l'angle de coupe
- N Indicateur de l'angle de coupe
- P Vis pour régler l'alignement du taquet d'arrêt à 90°
- Q Viseur de trait de sciage
- R Poignée arrière
- S Poignée avant
- T Clé de lames
- V Rangement pour clé de lames
- W Ejection copeaux
- Y Adaptateur de l'aspirateur
- Z Guide parallèle
- AA Bouton de réglage du guide longitudinal
- AB Fentes de ventilation

## SECURITE

### AVERTISSEMENTS DE SECURITE GENERAUX POUR L'OUTIL ELECTRIQUE

**AVERTISSEMENT** Lisez tous les avertissements de sécurité, toutes les instructions, illustrations et caractéristiques fournies avec cet outil électrique. Le non-respect du suivi de toutes les instructions reprises ci-dessous peut provoquer un électrochoc, un incendie et/ou des blessures graves.

**Conservez tous les avertissements et toutes les instructions pour pouvoir s'y reporter ultérieurement.**

Le terme "outil électrique" dans les avertissements se rapporte à des outils électriques raccordés au secteur (avec câble de raccordement) et à des outils électriques à batterie (sans câble de raccordement).

## 1) SECURITE DE LA ZONE DE TRAVAIL

- a) **Maintenez l'endroit de travail propre et bien éclairé.** Un lieu de travail en désordre ou mal éclairé augmente le risque d'accidents.
- b) **N'utilisez pas l'outil électrique dans un environnement présentant des risques d'explosion et où se trouvent des liquides, des gaz ou poussières inflammables.** Les outils électriques génèrent des étincelles risquant d'enflammer les poussières ou les vapeurs.
- c) **Tenez les enfants et autres personnes éloignés durant l'utilisation de l'outil électrique.** En cas d'inattention vous risquez de perdre le contrôle sur l'outil électrique.

## 2) SECURITE RELATIVE AU SYSTEME ELECTRIQUE

- a) **La fiche de secteur de l'outil électrique doit être appropriée à la prise de courant. Ne modifiez en aucun cas la fiche. N'utilisez pas de fiches d'adaptateur avec des outils électriques avec mise à la terre.** Les fiches non modifiées et les prises de courant appropriées réduisent le risque de choc électrique.
- b) **Évitez le contact physique avec des surfaces mises à la terre telles que tuyaux, radiateurs, fours et réfrigérateurs.** Il y a un risque élevé de choc électrique au cas où votre corps serait relié à la terre.
- c) **N'exposez pas l'outil électrique à la pluie ou à l'humidité.** La pénétration d'eau dans un outil électrique augmente le risque d'un choc électrique.
- d) **N'utilisez pas le câble à d'autres fins que celles prévues, n'utilisez pas le câble pour porter l'outil électrique ou pour l'accrocher ou encore pour le débrancher de la prise de courant. Maintenez le câble éloigné des sources de chaleur, des parties grasses, des bords tranchants ou des parties de l'outil électrique en rotation.** Un câble endommagé ou torsadé augmente le risque d'un choc électrique.
- e) **Au cas où vous utiliseriez l'outil électrique à l'extérieur, utilisez une rallonge autorisée homologuée pour les applications extérieures.** L'utilisation d'une rallonge électrique homologuée pour les applications extérieures réduit le risque d'un choc électrique.
- f) **Si l'usage d'un outil dans un emplacement humide est inévitable, utilisez un disjoncteur de fuite à la terre.** L'utilisation d'un disjoncteur de fuite à la terre réduit le risque de choc électrique.

## 3) SECURITE DES PERSONNES

- a) **Restez vigilant, surveillez ce que vous faites. Faites preuve de bon sens en utilisant l'outil électrique. N'utilisez pas l'outil électrique lorsque vous êtes fatigué ou après avoir consommé de l'alcool, des drogues ou avoir pris des médicaments.** Un moment d'inattention lors de l'utilisation de l'outil électrique peut entraîner de graves blessures sur les personnes.
- b) **Portez des équipements de protection. Portez toujours des lunettes de protection.** Le fait de porter des équipements de protection personnels tels que masque anti-poussières, chaussures de sécurité antidérapantes, casque de protection ou protection acoustique suivant le travail à effectuer, réduit le risque de blessures.
- c) **Évitez tout démarrage intempestif. S'assurez que**

**l'interrupteur est en position arrêt avant de brancher l'outil au secteur et/ou au bloc de batteries, de le ramasser ou de le porter.** Porter les outils en ayant le doigt sur l'interrupteur ou brancher des outils dont l'interrupteur est en position marche est source d'accidents.

- d) **Enlevez tout outil de réglage ou toute clé avant de mettre l'outil électrique en fonctionnement.** Une clé ou un outil se trouvant sur une partie en rotation peut causer des blessures.
  - e) **Ne surestimez pas vos capacités. Veillez à garder toujours une position stable et équilibrée.** Ceci vous permet de mieux contrôler l'outil électrique dans des situations inattendues.
  - f) **Portez des vêtements appropriés. Ne portez pas de vêtements amples ni de bijoux. Gardez les cheveux et les vêtements à distance des parties en mouvement.** Des vêtements amples, des bijoux ou des cheveux longs peuvent être happés par des pièces en mouvement.
  - g) **Si des dispositifs servant à aspirer ou à recueillir les poussières doivent être utilisés, vérifiez que ceux-ci soient effectivement raccordés et qu'ils sont correctement utilisés.** L'utilisation des collecteurs de poussière réduit les dangers dus aux poussières.
  - h) **Restez vigilant et ne pas négligez les principes de sécurité de l'outil sous prétexte que vous avez l'habitude de l'utiliser.** Une fraction de seconde d'inattention peut provoquer une blessure grave.
- ## 4) UTILISATION ET EMPLOI SOIGNEUX DE L'OUTIL ELECTRIQUE
- a) **Ne surchargez pas l'outil électrique. Utilisez l'outil électrique approprié au travail à effectuer.** Avec l'outil électrique approprié, vous travaillerez mieux et avec plus de sécurité à la vitesse pour laquelle il est prévu.
  - b) **N'utilisez pas un outil électrique dont l'interrupteur est défectueux.** Un outil électrique qui ne peut plus être mis en ou hors fonctionnement est dangereux et doit être réparé.
  - c) **Débranchez la fiche de la source d'alimentation et/ ou enlevez le bloc de batteries, s'il est amovible, avant tout réglage, changement d'accessoires ou avant de ranger l'outil électrique.** De telles mesures de sécurité préventives réduisent le risque de démarrage accidentel de l'outil électrique.
  - d) **Gardez les outils électriques non utilisés hors de portée des enfants. Ne permettez pas l'utilisation de l'outil électrique à des personnes qui ne se sont pas familiarisées avec celui-ci ou qui n'ont pas lu ces instructions.** Les outils électriques sont dangereux lorsqu'ils sont utilisés par des personnes non initiées.
  - e) **Observez la maintenance des outils électriques et des accessoires. Vérifiez que les parties en mouvement fonctionnent correctement et qu'elles ne soient pas coincées, et contrôlez si des parties sont cassées ou endommagées de telle sorte que le bon fonctionnement de l'outil électrique s'en trouve entravé. Faites réparer les parties endommagées avant d'utiliser l'outil électrique.** De nombreux accidents sont dus à des outils électriques mal entretenus.
  - f) **Maintenez les outils de coupe aiguisés et propres.** Des outils soigneusement entretenus avec des bords

tranchants bien aiguisés se coincent moins souvent et peuvent être guidés plus facilement.

- g) **Utilisez l'outil électrique, les accessoires, les outils à monter etc. conformément à ces instructions. Tenez compte également des conditions de travail et du travail à effectuer.** L'utilisation de l'outil électrique à d'autres fins que celles prévues peut entraîner des situations dangereuses.
- h) **Il faut que les poignées et les surfaces de préhension restent sèches, propres et dépourvues d'huiles et de graisses.** Des poignées et des surfaces de préhension glissantes rendent impossibles la manipulation et le contrôle en toute sécurité de l'outil dans les situations inattendues.

## 5) SERVICE

- a) **Ne faites réparer votre outil électrique que par un personnel qualifié et seulement avec des pièces de rechange d'origine.** Ceci permet d'assurer la sécurité de l'outil électrique.

## AVERTISSEMENTS DE SECURITE POUR SCIES CIRCULAIRES

### 1) PROCEDURES DE COUPE

- a) **DANGER : N'approchez pas les mains de la zone de coupe et de la lame. Gardez la deuxième main sur la poignée auxiliaire ou sur le boîtier du moteur.** Si les deux mains tiennent la scie, elles ne peuvent pas être coupées par la lame.
- b) **Ne placez pas la main sous la pièce.** Le protecteur ne protège pas de la lame sous la pièce.
- c) **Adaptez la profondeur de coupe à l'épaisseur de la pièce à travailler.** Il faut que moins d'un dent complet de la denture de lame soit visible au-dessous de la pièce à travailler.
- d) **Ne tenez jamais la pièce à travailler dans vos mains ou sur vos jambes. Assurez-vous que la pièce à travailler se trouve sur une plateforme stable.** Il est important que la pièce à travailler soit soutenue convenablement, afin de minimiser l'exposition du corps, le grippage de la lame, ou la perte de contrôle.
- e) **Tenez l'outil uniquement par les poignées isolées, car les lames de coupe peuvent entrer en contact avec des câbles cachés ou son propre câble** (les lames de coupe en contact avec un fil sous tension peuvent mettre sous tension les parties métalliques exposées de l'outil, ce qui pourrait électrocuter l'utilisateur)
- f) **Lorsque vous sciez, utilisez toujours un guide parallèle.** Vous améliorerez la précision de la coupe et réduirez les risques d'adhésion de la lame.
- g) **Utilisez toujours des lames dont la taille et la forme (diamètre et rond) des alésages centraux sont convenables.** Les lames qui ne correspondent pas aux éléments de montage de la scie ne fonctionneront pas bien, provoquant une perte de contrôle.
- h) **N'utilisez jamais des rondelles ou des boulons de lame endommagés ou inadéquats.** Les rondelles et les boulons de lame sont conçus spécialement pour votre lame, pour une performance et une sécurité d'utilisation optimales.

### 2) CAUSES DU REcul ET MISES EN GARDE CORRESPONDANTS

- Le recul est une réaction soudaine à une lame pincée, qui adhère ou mal alignée, faisant se soulever la scie hors de la pièce, vers l'utilisateur
  - Lorsque la lame est pincée ou qu'elle adhère étroitement avec la fermeture de la rainure, la lame se bloque et la réaction du moteur pousse rapidement l'outil vers l'arrière, c'est-à-dire vers l'utilisateur
  - Si la lame se tord ou s'aligne mal dans la rainure, les dents du bord arrière de la lame peuvent s'enfoncer dans la surface supérieure du bois, faisant sortir la lame de la coupe et la faisant sauter vers l'utilisateur
  - Un contrecoup est la suite d'une mauvaise utilisation ou une utilisation incorrecte de l'outil électroportatif. Il peut être évité en prenant des mesures de précaution comme celles décrites ci-dessous.
- a) **Tenez fermement la scie des deux mains et placez vos bras de façon à pouvoir résister aux forces de recul arrière. Placez votre corps d'un côté ou de l'autre de la lame, mais pas dans l'alignement de la lame.** Un retour en arrière peut faire sauter la scie en arrière, mais les forces de recul arrière peuvent être contrôlées par l'opérateur en prenant quelques précautions.
- b) **Lorsque la lame adhère, ou qu'elle cesse de couper pour quelque raison que ce soit, relâchez la gâchette et tenez la scie immobile dans la pièce, jusqu'à ce que la lame s'arrête complètement. N'essayez jamais d'enlever la scie de la pièce ou de tirer la scie vers l'arrière lorsque la lame est en mouvement, car vous entraîneriez un recul arrière.** Faites des essais et prenez les mesures nécessaires pour éliminer la cause de l'adhésion de la lame. Évitez de couper des clous et des vis.
- c) **Lorsque vous remplacez la scie dans la pièce, centrez la lame de la scie dans la rainure, et vérifiez que les dents ne sont pas enfoncées dans la pièce.** Si la lame adhère, elle peut sortir ou reculer hors de la pièce lorsque la scie redémarre.
- d) **Soutenez les grands panneaux pour réduire les risques de pincement ou de recul de la lame.** Les grands panneaux ont tendance à s'affaisser sous leur propre poids. Des supports doivent être placés dessous, des deux côtés, près de la ligne de coupe et du bord du panneau.
- e) **N'utilisez pas de lame émoussée ou endommagée.** Les lames mal aiguisées ou fixées peuvent produire une rainure trop étroite et entraîner une friction excessive, l'adhésion de la lame ou un recul.
- f) **Les leviers de réglage d'angle et de profondeur de la lame doivent être bien serrés avant de faire une coupe.** Si un réglage de lame change durant la coupe, il peut entraîner une adhésion et un recul.
- g) **Soyez d'autant plus prudent lorsque vous découpez des parois existantes ou d'autres zones sans visibilité.** La lame saillante peut couper des objets qui peuvent entraîner un recul.
- 1) **FONCTIONNEMENT DU PROTECTEUR INFÉRIEUR**
- a) **Vérifiez que le protecteur inférieur est correctement fermé avant chaque utilisation. N'utilisez pas la scie si le protecteur inférieur ne se déplace pas librement et s'il ne se ferme pas instantanément. Ne**



**bloquez ni n'attachez jamais le protecteur inférieur en position ouverte.** Si vous laissez tomber la scie, le protecteur inférieur risque de se plier. Débranchez la fiche, levez le protecteur inférieur à l'aide de la poignée rétractable et veillez à ce qu'il se déplace librement et ne touche pas la lame ni aucune autre partie, à tous les angles et profondeurs de coupe.

- b) **Vérifiez le fonctionnement du ressort du protecteur inférieur. Si le protecteur et le ressort ne fonctionnent pas correctement, ils doivent être réparés avant utilisation.** Le protecteur inférieur risque de fonctionner lentement en raison des parties abîmées, de dépôts collants ou d'accumulation de poussières.
- c) **Le protecteur inférieur ne doit être rétracté manuellement que pour les coupes spéciales telles que les coupes plongantes ou composées. Levez le protecteur inférieur en rétractant la poignée et, dès que la lame entre dans la pièce, relâchez-le.** Pour toutes les autres sortes de coupe, utilisez le protecteur inférieur en mode automatique.
- d) **Veillez toujours à ce que le protecteur inférieur couvre la lame avant de poser la scie sur un établi ou sur le sol.** Une lame libre non protégée fera reculer la scie, qui coupera tout ce qui se trouve sur son chemin. Pensez au temps qu'il faut à la lame pour s'arrêter lorsque l'interrupteur est relâché.

#### AVERTISSEMENTS DE SECURITE SUPPLEMENTAIRES

- Les processus de mise en fonctionnement provoquent des baisses momentanées de tension; en cas de conditions défavorables de secteur, il peut y avoir des répercussions sur d'autres appareils (pour des impédances du secteur inférieures à 0,468 ohms, il est assez improbables que des perturbations se produisent); pour tout renseignement complémentaire, vous pouvez contacter directement votre fournisseur local d'énergie

#### GENERALITES

- Cet outil ne doit pas être utilisé par des personnes de moins de 16 ans
- Cet outil ne convient pas pour couper à mouillage
- **Débranchez toujours l'outil avant tout réglage ou changement d'accessoire**
- N'utilisez jamais l'outil si le cordon d'alimentation est endommagé, il doit être remplacé par un cordon spécialement préparé disponible par le biais du service d'assistance.
- **Ne travaillez pas de matériaux contenant de l'amiante** (l'amiante est considérée comme étant cancérigène)
- La poussière de matériaux, tels que la peinture contenant du plomb, certaines espèces de bois, certains minéraux et différents métaux, peut être nocive (le contact avec la poussière ou son inhalation peut provoquer des réactions allergiques et/ou des maladies respiratoires chez l'opérateur ou des personnes se trouvant à proximité); **portez un masque antipoussières et travaillez avec un appareil de dépoussiérage lorsqu'il est possible d'en connecter un**
- Certains types de poussières sont classifiés comme étant cancérigènes (tels que la poussière de chêne ou de hêtre), en particulier en combinaison avec des additifs de traitement du bois; **portez un masque antipoussières et travaillez avec un appareil de dépoussiérage**

#### lorsqu'il est possible d'en connecter un

- Suivez les directives nationales relatives au dépoussiérage pour les matériaux à travailler
- Utilisez toujours une table de sciage livrée avec un interrupteur de sécurité pour éviter tout redémarrage intempestif
- Utilisez toujours une table de sciage livrée avec un couteau diviseur

#### ACCESSOIRES

- SKIL ne peut se porter garant du bon fonctionnement de cet outil que s'il a été utilisé avec les accessoires d'origine
- N'utilisez que des lames de scie qui correspondent aux caractéristiques techniques indiquées dans les présentes instructions d'utilisation et qui sont contrôlées conformément à la norme EN 847-1 et marquées en conséquence
- La vitesse admissible des accessoires utilisés doit être au moins aussi élevée que la vitesse à vide maximale de l'outil
- Utilisez uniquement des lames de scie d'un diamètre minimum de 184 mm, d'un diamètre maximum de 184 mm et dont l'alésage de broche est de 16 mm (**5820**)
- Utilisez uniquement des lames de scie d'un diamètre minimum de 190 mm, d'un diamètre maximum de 190 mm et dont l'alésage de broche est de 16 mm (**5830**)
- Ne jamais utilisez de lame de scie faite en acier rapide (HSS)
- Ne jamais utilisez de disques de meulage/tronçonnage avec cet outil

#### AVANT L'USAGE

- Contrôlez toujours si la tension secteur correspond à la tension indiquée sur la plaquette signalétique de l'outil
- Faites attention aux vis, clous ou autres éléments qui pourraient se trouver dans la pièce à travailler et qui risqueraient d'endommager très fortement votre outil; enlevez-les avant de commencer le travail
- Enlevez tout corps étranger du tracé avant d'effectuer toute coupe
- **Fixez solidement la pièce à travailler** (une pièce fixée à l'aide de dispositifs de fixation est davantage assurée que si elle était tenue à la main)
- **Utilisez des détecteurs appropriés afin de localiser la présence de conduites électriques ou bien s'adresser à la société locale de distribution** (un contact avec des lignes électriques peut provoquer un incendie et une décharge électrique; le fait d'endommager une conduite de gaz peut entraîner une explosion; le fait d'endommager une conduite d'eau peut entraîner des dégâts matériels ou causer une décharge électrique)
- Utilisez un câble de prolongement complètement déroulé et de bonne qualité d'une capacité de 16 A

#### PENDANT L'USAGE

- Le niveau sonore en fonctionnement peut dépasser 85 dB(A); munissez-vous de casques anti-bruit
- Ne jamais utilisez votre outil sans le guide de sécurité d'origine
- Ne jamais tentez de couper de trop fines pièces
- Ne jamais travaillez au-dessus de l'outil
- En cas de blocage ou d'anomalie électrique ou mécanique, coupez immédiatement l'outil et débranchez la prise
- Si le câble est endommagé ou rompu pendant le travail, n'y touchez pas, mais débranchez immédiatement la prise

## APRES L'USAGE

- Lorsque vous rangez votre outil, le moteur doit être coupé et les pièces mobiles complètement arrêtées
- Après avoir coupé la mise en marche de votre scie circulaire, ne jamais arrêtez la rotation de la lame de scie par une force latérale appliquée contre elle

## EXPLICATION DES SYMBOLES SUR L'OUTIL

- ③ Veuillez lire le mode d'emploi avant d'utiliser l'outil
- ④ Double-isolation (ne nécessite pas de mise à la terre)
- ⑤ Ne jetez pas l'outil dans les ordures ménagères

## UTILISATION

- Montage de la lame de scie ②
  - ! **débranchez la fiche**
  - prenez la clé de lames T de son magasin V
  - appuyez sur le bouton C de blocage de l'arbre et le maintenez tandis que vous enlevez le boulon D de la lame avec la clé de lames T
  - ! **appuyez sur le bouton C de blocage de l'arbre uniquement lorsque l'outil est complètement arrêté**
  - relâchez le bouton C de blocage de l'arbre
  - enlevez la bride E
  - ! **assurez-vous que les surfaces de serrage H des brides soient parfaitement propres et en face de la lame**
  - ouvrez le carter inférieur F avec le levier G et le maintenez tandis que vous montez la lame, les dents de scie et la flèche imprimée à la lame pointée dans la même direction que la flèche située sur le carter supérieur
  - relâchez le carter inférieur F
  - montez la bride E
  - appuyez sur le bouton C de blocage de l'arbre et le maintenez tandis que vous serrez le boulon de la lame avec la clé de lames d'un 1/8ème de tour en arrière (permet le débrayage de la lame en cas de trop forte résistance du matériau permettant ainsi de réduire la surcharge du moteur et l'effet de recul)
  - relâchez le bouton C de blocage de l'arbre
- Réglage de la profondeur de coupe ⑥
  - pour une qualité parfaite de coupe, la lame de scie ne doit jamais dépasser de plus de 3 mm la pièce à travailler
  - desserrez le bouton J
  - levez/abaissez la semelle K jusqu'à ce que la profondeur de coupe souhaitée soit atteinte grâce à l'indicateur L de l'échelle graduée
  - serrez le bouton J
- Réglage de l'angle de coupe (0-50°) ⑦
  - desserrez le bouton M
  - inclinez l'outil jusqu'à ce que l'angle de coupe souhaité soit atteint grâce à l'indicateur N de l'échelle graduée
  - serrez le bouton M
  - ! **lors de coupe d'angle, la profondeur de coupe ne correspond pas à la valeur donnée par l'échelle de la profondeur de coupe**
- Vérification de l'angle de coupe à 90° ⑦
  - réglez et serrez la semelle K jusqu'au maximum de la profondeur de coupe ⑥
  - réglez et serrez l'angle de coupe à 0°
  - vérifiez l'angle de 90° entre la lame et la table, avec une équerre

- si un réglage est nécessaire, desserrez le bouton M et utilisez la vis de réglage P comme illustré
- Viseur réglable de trait de sciage Q ⑧
  - pour guider l'outil le long du tracé souhaité
  - pour une coupe rectiligne de 0° ou une coupe d'angle de 45°, utilisez l'indicateur correspondant
- ! **la partie la plus large de la semelle doit rester sur la partie la plus large de la pièce**
- peut être ajusté pour s'aligner avec différentes largeurs de lame de scie, cependant il se peut qu'un côté de la lame de la scie ne s'aligne pas, choisissez alors si les déchets sont sur le côté interne ou externe de la lame ⑧
- ! **seule l'épaisseur des dents de la lame détermine la largeur de coupe**
- ! **effectuez toujours un essai préalable afin de vérifier la ligne de coupe**
- Aspiration de poussières
  - montez l'aspirateur sur l'axe Y ⑨
  - ! **ne laissez jamais le tuyau de l'aspirateur gêner le carter inférieur ou l'opération de coupe**
- Utilisation de l'outil ⑨
  - branchez l'outil sur le secteur
  - toujours tenez fermement la poignée R d'une main et la poignée S avec l'autre main
  - posez l'outil avec le devant de la semelle bien à plat sur la pièce à travailler
  - ! **assurez-vous que les dents de la lame n'entrent pas dans la pièce à travailler**
  - mettez en marche l'outil en appuyant d'abord sur le bouton B (= interrupteur de sécurité qu'on ne peut pas bloquer) et puis en poussant la gâchette A
  - ! **l'outil devra tourner à la vitesse maximum avant que la lame n'entre dans la pièce à travailler**
  - le carter inférieur F s'ouvre automatiquement quand la lame n'entre dans la pièce à travailler (ouvrez le carter inférieur manuellement en utilisant le levier G pour des coupes spéciales comme des coupes plongeantes)
  - ! **ne forcez pas l'outil (effectuez une pression légère et constante afin d'éviter la surchauffe des bouts de lame et, si vous coupez du plastique, la fonte du matériel plastique)**
  - ! **lorsque vous travaillez, tenez toujours l'outil par la(les) zone(s) de couleur grise**
  - une fois la coupe faite, arrêtez l'outil en relâchant la gâchette A
  - ! **avant de retirer l'outil de la pièce à travailler, s'assurez que la lame se soit bien stabilisée**

## CONSEILS D'UTILISATION

- Toujours inversez la partie visible pour avoir un minimum d'éclat
- Utilisez seulement des lames de scie coupantes et appropriées ⑩
  - la qualité de coupe s'améliore avec le nombre de dents - lames avec denture à mise de carbure coupent 30 fois plus longtemps que des lames ordinaires
- Guide parallèle Z ⑪
  - pour effectuer des coupes de précision le long d'un bord d'une pièce à travailler
  - peut être monté de n'importe quel côté de la semelle
- Réglage du guide parallèle
  - desserrez le bouton AA

- réglez à la largeur de coupe souhaitée à l'aide de l'échelle du guide parallèle (utilisez le viseur de trait de sciage Q comme référence 0)
- serrez le bouton AA
- Coupes plongeantes ⑫
  - réglez la profondeur de coupe souhaitée
  - inclinez l'outil vers l'avant avec le viseur de trait de sciage Q aligné avec la ligne de coupe souhaitée marquée sur la pièce à travailler
  - ouvrez le carter inférieur F avec le levier G
  - juste avant que la lame ne pénètre dans la pièce à travailler, enclenchez l'interrupteur et pénétrez progressivement en prenant pour appui l'avant de la semelle
  - déplacez l'outil progressivement vers l'avant et vers le bas
  - dès que la lame entre dans la pièce, relâchez le levier G
- ! **ne jamais tirez l'outil vers l'arrière**
- Coupe de larges panneaux ⑬
  - placez le panneau sur des cales soit au sol, sur un établi ou une table
- ! **réglez la profondeur de coupe pour éviter de couper le support de travail**
  - dans le cas où le guide parallèle ne permettrait pas de régler la largeur de coupe, fixez une règle à la pièce à travailler pour servir de guide et utilisez le côté droit de la semelle contre ce guide

## ENTRETIEN / SERVICE APRES-VENTE

- Cet outil n'est pas conçu pour un usage professionnel
- Gardez toujours votre outil et le câble propres (spécialement les aérations AB)
- ! **débranchez la fiche avant le nettoyage**
- Gardez toujours la zone autour du carter inférieur F ② propre (enlevez la poussière et les copeaux en les nettoyant à l'air comprimé ou avec une brosse)
- Toujours nettoyez la lame de scie après toute utilisation (tout particulièrement dans le cas d'utilisation de résine)
- Si, malgré tous les soins apportés à la fabrication et au contrôle de l'outil, celui-ci devait avoir un défaut, la réparation ne doit être confiée qu'à une station de service après-vente agréée pour outillage SKIL
  - retournez l'outil **non démonté** avec votre preuve d'achat au revendeur ou au centre de service après-vente SKIL le plus proche (les adresses ainsi que la vue éclatée de l'outil figurent sur [www.skil.com](http://www.skil.com))
- Veuillez noter que tout dégât causé par une surcharge ou une mauvaise utilisation de l'outil ne sera pas couvert par la garantie (pour connaître les conditions de la garantie SKIL, surfez sur [www.skil.com](http://www.skil.com) ou adressez-vous à votre revendeur)

## ENVIRONNEMENT

- **Ne jetez pas les outils électriques, les accessoires et l'emballage dans les ordures ménagères** (pour les pays européens uniquement)
  - conformément à la directive européenne 2012/19/EG relative aux déchets d'équipements électriques ou électroniques, et à sa transposition dans la législation nationale, les outils électriques usés doivent être collectés séparément et faire l'objet d'un recyclage respectueux de l'environnement

- le symbole ⑤ vous le rappellera au moment de la mise au rebut de l'outil



## BRUIT / VIBRATION

- Mesurés selon EN 62841, le niveau de pression sonore de cet outil est de 97,0 dB(A), le niveau de puissance acoustique est de 108,0 dB(A) (incertitude K = 3 dB), et la vibration \* (somme vectorielle triax ; incertitude K = 1,5 m/s<sup>2</sup>)
  - \* sciage du bois 4,0 m/s<sup>2</sup>
  - \* sciage du métal 2,8 m/s<sup>2</sup>
- Le niveau de vibrations émises a été mesuré conformément à l'essai normalisé de la norme EN 62841; il peut être utilisé pour comparer plusieurs outils et pour réaliser une évaluation préliminaire de l'exposition aux vibrations lors de l'utilisation de l'outil pour les applications mentionnées
  - l'utilisation de l'outil dans d'autres applications, ou avec des accessoires différents ou mal entretenus, peut considérablement **augmenter** le niveau d'exposition
  - la mise hors tension de l'outil et sa non-utilisation pendant qu'il est allumé peuvent considérablement **réduire** le niveau d'exposition
- ! **protégez-vous contre les effets des vibrations par un entretien correct de l'outil et de ses accessoires, en gardant vos mains chaudes et en structurant vos schémas de travail**

D

## Handkreissäge

5820/5830

## EINLEITUNG

- Dieses Werkzeug ist bestimmt zum Sägen von Längs- und Querschnitte in Holz mit geradem Schnittverlauf und Gehrungswinkel bis 50°; mit entsprechenden Sägeblättern können auch Nichteisenmetalle, Leichtbaustoffe und Kunststoffe gesägt werden
- Dieses Werkzeug eignet sich nicht für den professionellen Einsatz
- Bitte diese Bedienungsanleitung sorgfältig lesen und aufbewahren ③

## TECHNISCHE DATEN ①

## WERKZEUGKOMPONENTEN ②

- A Auslöseschalter
- B Sicherheitsschalter
- C Spindelarretierungsknopf
- D Sägeblattbolzen
- E Flansch
- F Unterer Blattschutz
- G Hebel zur Öffnung des unteren Blattschutzes

- H Spannfläche
- J Sägetiefe-Einstellknopf
- K Fußplatte
- L Schnitttiefe-Anzeiger
- M Knopf zur Einstellung des Schnittwinkels
- N Schnittwinkelanzeiger
- P Schraube zum Einstellen des 90°-Endanschlags
- Q Sichtfenster
- R Hinterer Griff
- S Vorderer Griff
- T Sägeblattschlüssel
- V Aufbewahrung für Klingenschlüssel
- W Spanauswurf
- Y Staubsaugeranschluß
- Z Seitenanschlag
- AA Knopf zur Einstellung des Seitenanschlags
- AB Lüftungsschlitze

## SICHERHEIT

### ALLGEMEINE SICHERHEITSHINWEISE FÜR ELEKTROWERKZEUGE

**⚠️ WARNUNG** Lesen Sie alle Sicherheitshinweise, Anweisungen, Abbildungen und technischen Daten dieses Elektrogeräts. Die Nichtbeachtung der nachfolgenden Anweisungen kann zu Stromschlägen, Bränden bzw. ernsthaften Verletzungen führen.

**Bewahren Sie alle Sicherheitshinweise und Anweisungen für die Zukunft auf.**

Der in den Sicherheitshinweisen verwendete Begriff "Elektrowerkzeug" bezieht sich auf netzbetriebene Elektrowerkzeuge (mit Netzkabel) und auf akkubetriebene Elektrowerkzeuge (ohne Netzkabel).

#### 1) ARBEITSPLATZSICHERHEIT

- a) **Halten Sie Ihren Arbeitsbereich sauber und gut beleuchtet.** Unordnung oder unbeleuchtete Arbeitsbereiche können zu Unfällen führen.
- b) **Arbeiten Sie mit dem Elektrowerkzeug nicht in explosionsgefährdeter Umgebung, in der sich brennbare Flüssigkeiten, Gase oder Stäube befinden.** Elektrowerkzeuge erzeugen Funken, die den Staub oder die Dämpfe entzünden können.
- c) **Halten Sie Kinder und andere Personen während der Benutzung des Elektrowerkzeuges fern.** Bei Ablenkung können Sie die Kontrolle über das Elektrowerkzeug verlieren.

#### 2) ELEKTRISCHE SICHERHEIT

- a) **Der Anschlussstecker des Elektrowerkzeuges muss in die Steckdose passen. Der Stecker darf in keiner Weise verändert werden. Verwenden Sie keine Adapterstecker gemeinsam mit schutzgeerdeten Elektrowerkzeugen.** Unveränderte Stecker und passende Steckdosen verringern das Risiko eines elektrischen Schlagess.
- b) **Vermeiden Sie Körperkontakt mit geerdeten Oberflächen, wie von Rohren, Heizungen, Herden und Kühlschränken.** Es besteht ein erhöhtes Risiko durch elektrischen Schlag, wenn Ihr Körper geerdet ist.
- c) **Halten Sie das Elektrowerkzeug von Regen**

**oder Nässe fern.** Das Eindringen von Wasser in ein Elektrogerät erhöht das Risiko eines elektrischen Schlagess.

- d) **Zweckfremden Sie das Kabel nicht, um das Elektrowerkzeug zu tragen, aufzuhängen oder um den Stecker aus der Steckdose zu ziehen. Halten Sie das Kabel fern von Hitze, Öl, scharfen Kanten oder sich bewegenden Elektrowerkzeugteilen.** Beschädigte oder verwickelte Kabel erhöhen das Risiko eines elektrischen Schlagess.
  - e) **Wenn Sie mit einem Elektrowerkzeug im Freien arbeiten, verwenden Sie nur Verlängerungskabel, die auch für den Außenbereich zugelassen sind.** Die Anwendung eines für den Außenbereich geeigneten Verlängerungskabels verringert das Risiko eines elektrischen Schlagess.
  - f) **Wenn der Betrieb des Elektrowerkzeuges in feuchter Umgebung nicht vermeidbar ist, verwenden Sie einen Fehlerstromschutzschalter.** Der Einsatz eines Fehlerstromschutzschalters vermindert das Risiko eines elektrischen Schlagess.
- ### 3) SICHERHEIT VON PERSONEN
- a) **Seien Sie aufmerksam, achten Sie darauf, was Sie tun, und gehen Sie mit Vernunft an die Arbeit mit einem Elektrowerkzeug. Benutzen Sie das Elektrowerkzeug nicht, wenn Sie müde sind oder unter dem Einfluss von Drogen, Alkohol oder Medikamenten stehen.** Ein Moment der Unachtsamkeit beim Gebrauch des Elektrowerkzeuges kann zu ernsthaften Verletzungen führen.
  - b) **Tragen Sie persönliche Schutzausrüstung und immer eine Schutzbrille.** Das Tragen persönlicher Schutzausrüstung, wie Staubmaske, rutschfeste Sicherheitsschuhe, Schutzhelm oder Gehörschutz, je nach Art und Einsatz des Elektrowerkzeuges, verringert das Risiko von Verletzungen.
  - c) **Vermeiden Sie eine unbeabsichtigte Inbetriebnahme. Vergewissern Sie sich, dass das Elektrowerkzeug ausgeschaltet ist, bevor Sie es an die Stromversorgung und/oder den Akku anschließen, es aufnehmen oder tragen.** Wenn Sie beim Tragen des Elektrowerkzeuges den Finger am Schalter haben oder das Elektrowerkzeug eingeschaltet an die Stromversorgung anschließen, kann dies zu Unfällen führen.
  - d) **Entfernen Sie Einstellwerkzeuge oder Schraubenschlüssel, bevor Sie das Elektrowerkzeug einschalten.** Ein Werkzeug oder Schlüssel, der sich in einem drehenden Elektrowerkzeugeteil befindet, kann zu Verletzungen führen.
  - e) **Überschätzen Sie sich nicht. Sorgen Sie für einen sicheren Stand und halten Sie jederzeit das Gleichgewicht.** Dadurch können Sie das Elektrowerkzeug in unerwarteten Situationen besser kontrollieren.
  - f) **Tragen Sie geeignete Kleidung. Tragen Sie keine weite Kleidung oder Schmuck. Halten Sie Haare und Kleidung fern von sich bewegenden Teilen.** Lockere Kleidung, Schmuck oder lange Haare können von sich bewegenden Teilen erfasst werden.
  - g) **Wenn Staubabsaug- und auffangeinrichtungen montiert werden können, vergewissern Sie sich, dass diese angeschlossen sind und richtig**

verwendet werden. Verwendung einer Staubabsaugung verringert Gefährdungen durch Staub.

- h) **Wiegen Sie sich nicht in falscher Sicherheit und setzen Sie sich nicht über die Sicherheitsregeln für Elektrowerkzeuge hinweg, auch wenn Sie nach vielfachem Gebrauch mit dem Elektrowerkzeug vertraut sind.** Achtloses Handeln kann binnen Sekundenbruchteilen zu schweren Verletzungen führen.
- 4) **SORGFÄLTIGER UMGANG UND GEBRAUCH VON ELEKTROWERKZEUGEN**
  - a) **Überlasten Sie das Elektrowerkzeug nicht. Verwenden Sie für Ihre Arbeit das dafür bestimmte Elektrowerkzeug.** Mit dem passenden Elektrowerkzeug arbeiten Sie besser und sicherer im angegebenen Leistungsbereich.
  - b) **Benutzen Sie kein Elektrowerkzeug, dessen Schalter defekt ist.** Ein Elektrowerkzeug, das sich nicht mehr ein- oder ausschalten lässt, ist gefährlich und muss repariert werden.
  - c) **Ziehen Sie den Stecker aus der Steckdose und/ oder entfernen Sie einen abnehmbaren Akku, bevor Sie Geräteeinstellungen vornehmen, Zubehörteile wechseln oder das Elektrowerkzeug weglegen.** Diese Vorsichtsmaßnahme verhindert den unbeabsichtigten Start des Elektrowerkzeuges.
  - d) **Bewahren Sie unbenutzte Elektrowerkzeuge außerhalb der Reichweite von Kindern auf. Lassen Sie Personen das Elektrowerkzeug nicht benutzen, die mit diesem nicht vertraut sind oder diese Anweisungen nicht gelesen haben.** Elektrowerkzeuge sind gefährlich, wenn Sie von unerfahrenen Personen benutzt werden.
  - e) **Pflegen Sie Elektrowerkzeuge und Zubehör mit Sorgfalt. Kontrollieren Sie, ob bewegliche Elektrowerkzeugteile einwandfrei funktionieren und nicht klemmen, ob Teile gebrochen oder so beschädigt sind, dass die Funktion des Elektrowerkzeuges beeinträchtigt ist. Lassen Sie beschädigte Teile vor dem Einsatz des Elektrowerkzeuges reparieren.** Viele Unfälle haben ihre Ursache in schlecht gewarteten Elektrowerkzeugen.
  - f) **Halten Sie Schneidwerkzeuge scharf und sauber.** Sorgfältig gepflegte Schneidwerkzeuge mit scharfen Schneidkanten verklemmen sich weniger und sind leichter zu führen.
  - g) **Verwenden Sie Elektrowerkzeug, Zubehör, Einsatzwerkzeuge usw. entsprechend diesen Anweisungen. Berücksichtigen Sie dabei die Arbeitsbedingungen und die auszuführende Tätigkeit.** Der Gebrauch von Elektrowerkzeugen für andere als die vorgesehenen Anwendungen kann zu gefährlichen Situationen führen.
  - h) **Halten Sie Griffe und Griffflächen trocken, sauber und frei von Öl und Fett.** Rutschige Griffe und Griffflächen erlauben keine sichere Bedienung und Kontrolle des Elektrowerkzeuges in unvorhergesehenen Situationen.
- 5) **SERVICE**
  - a) **Lassen Sie Ihr Elektrowerkzeug nur von qualifiziertem Fachpersonal und nur mit Original-Ersatzteilen reparieren.** Damit wird sichergestellt, dass die Sicherheit des Elektrowerkzeuges erhalten bleibt.

## SICHERHEITSHINWEISE FÜR KREISSÄGEN

- 1) **SÄGEVERFAHREN**
  - a) **GEFAHR : Kommen Sie mit Ihren Händen nicht in den Sägebereich und an das Sägeblatt. Halten Sie mit Ihrer zweiten Hand den Zusatzgriff oder das Motorgehäuse.** Wenn beide Hände die Säge halten, können diese vom Sägeblatt nicht verletzt werden.
  - b) **Nicht unter das Werkstück reichen.** Die Schutzhaube kann Sie nicht vor dem Sägeblatt unter dem Werkstück schützen.
  - c) **Schnitttiefe der Werkstückdicke anpassen.** Unter dem Werkstück muss etwas weniger als ein kompletter Zahn der Blattzähne sichtbar sein.
  - d) **Halten Sie das zu sägende Werkstück niemals in der Hand oder über dem Bein fest. Sichern Sie das Werkstück an einer stabilen Aufnahme.** Es ist wichtig, das Werkstück gut zu befestigen, um die Gefahr von Körperkontakt, Klemmen des Sägeblattes oder Verlust der Kontrolle zu minimieren.
  - e) **Fassen Sie das Elektrowerkzeug nur an den isolierten Griffflächen an, da die Messer mit verdeckten Kabeln oder dem eigenen Netzkabel in Berührung kommen können** (Ein Einschneiden eines spannungsführenden Kabels mit den Messern kann zu einer Spannungsübertragung auf die ungeschützten Metallteile des Werkzeugs führen und dem Bediener einen Stromschlag versetzen)
  - f) **Beim Längssägen stets einen Seitenanschlag oder eine gerade Schnittführung benutzen.** Dadurch wird die Schnittgenauigkeit verbessert und Verklemmen des Sägeblatts weniger wahrscheinlich gemacht.
  - g) **Verwenden Sie immer Sägeblätter in der richtigen Größe und mit passender Aufnahmebohrung (z. B. sternförmig oder rund).** Sägeblätter, die nicht zu den Montageteilen der Säge passen, laufen unrund und führen zum Verlust der Kontrolle.
  - h) **Niemals beschädigte oder ungeeignete Sägeblattunterlegscheiben oder -bolzen benutzen.** Sägeblattunterlegscheiben und -bolzen wurden eigens für Ihre Säge konstruiert, um optimale Leistung und sicheren Betrieb zu gewährleisten.
- 2) **RÜCKSCHLAG - URSACHEN UND ENTSPRECHENDE WARNHINWEISE**
  - Rückschlag ist eine plötzliche Reaktion auf ein eingezwängtes, verklemmtes oder falsch ausgerichtetes Sägeblatt, wodurch eine Säge unkontrolliert aus dem Werkstück heraus – zum Bediener hin – angehoben wird
  - Wenn das Sägeblatt eingezwängt ist oder vom nach unten schließenden Sägeschlitz stark eingeklemmt wird, kommt das Sägeblatt zum Stillstand und wird das Gerät durch den laufenden Motor rasch zum Bediener hin zurück gezwungen
  - Wenn das Sägeblatt sich beim Schneiden verdreht oder falsch ausgerichtet wird, können sich die Zähne an der Hinterkante des Sägeblatts in der Holzoberfläche festfressen mit der Folge, dass sich das Sägeblatt aus dem Sägeschlitz heraushebt und – zum Bediener hin – rückwärts springt
  - Ein Rückschlag ist die Folge eines falschen oder fehlerhaften Gebrauchs des Elektrowerkzeugs. Er kann durch geeignete Vorsichtsmaßnahmen, wie nachfolgend beschrieben, verhindert werden.
- a) **Die Säge stets mit beiden Händen fest im Griff**

haben und Ihre Arme so positionieren, dass Sie Rückschlagkräften entgegenwirken können. Ihren Körper seitlich vom Sägeblatt positionieren, niemals in einer Linie mit dem Sägeblatt. Durch Rückschlag könnte die Säge rückwärts springen, aber Rückschlagkräfte können vom Bediener kontrolliert werden, wenn entsprechende Vorkehrungen getroffen werden.

- b) Wenn das Sägeblatt klemmt, oder wenn ein Schnitt aus irgendeinem Grund unterbrochen wird, den Schalter loslassen und die Säge bewegungslos im Material halten, bis das Sägeblatt völlig zum Stillstand kommt. Niemals versuchen, die Säge aus dem Werkstück zu entfernen oder die Säge rückwärts zu ziehen, während das Sägeblatt in Bewegung ist, ansonsten kann es zu Rückschlag kommen. Dies untersuchen und Abhilfemaßnahmen ergreifen, um die Ursachen für das Klemmende Sägeblatt zu beseitigen. Das Schneiden von Nägeln oder Schrauben vermeiden.
- c) Beim erneuten Anlauf einer Säge im Werkstück das Sägeblatt im Sägeschlitz zentrieren und nachprüfen, dass die Sägezähne nicht mit dem Material im Eingriff stehen. Wenn das Sägeblatt klemmt, kann es nach oben wandern oder kann es zu Rückschlag vom Werkstück kommen, wenn die Säge wieder anläuft.
- d) Große Platten abstützen, um das drohende Klemmen bzw. Rückschlagen des Sägeblatts zu minimieren. Große Platten neigen zum Durchbiegen unter ihrem eigenen Gewicht. Die Platte muss auf beiden Seiten unten abgestützt werden, d.h. nahe an der Schnittlinie und nahe am Plattenrand.
- e) Kein stumpfes oder beschädigtes Sägeblatt benutzen. Ungeschärfte oder falsch geschränkte Sägeblätter erzeugen schmale Sägeschlitz; die Folge sind übertriebene Reibung, Sägeblattklemmen und Rückschlag.
- f) Sägeblatttiefe und Gehrungen einstellende Sicherungshebel müssen vor dem Schneiden fest und sicher sitzen. Wenn sich die Sägeblatteinstellung beim Schneiden ändert, kann dies zu Klemmen und Rückschlag führen.
- g) Seien Sie besonders vorsichtig beim Sägen in bestehende Wände oder andere nicht einsehbare Bereiche. Das eintauchende Sägeblatt kann beim Sägen in verborgene Objekte blockieren und einen Rückschlag verursachen.
- 1) FUNKTION DER UNTEREN SCHUTZHAUBE
- a) Untere Schutzhaube jedes Mal vor Gebrauch auf vorschriftsmäßiges Schließen prüfen. Die Säge nicht benutzen, wenn sich die untere Schutzhaube nicht frei bewegt und sofort schließt. Die untere Schutzhaube niemals durch Festklemmen oder -binden in die offene Position zwingen. Wenn die Säge versehentlich fallen gelassen wird, kann die untere Schutzhaube dadurch verbogen werden. Netzstecker ziehen, die untere Schutzhaube mit dem Einziehgriff anheben und sicherstellen, dass er sich frei bewegt und nicht das Sägeblatt oder irgendein anderes Teil – bei sämtlichen Winkeln und Schnitttiefe – berührt.
- b) Die Funktion der unteren Schutzhaubefeder prüfen. Wenn die Schutzhaube und die Feder nicht vorschriftsmäßig funktionieren, müssen sie vor

Gebrauch gewartet werden. Die untere Schutzhaube könnte aufgrund von beschädigten Teilen, klebrigen Ablagerungen oder einer Schmutzansammlung schwergängig sein.

- c) Die untere Schutzhaube sollte nur bei Sonderschnitten wie z.B. Einsetzschnitten und komplexen Schnitten manuell eingezogen werden. Die untere Schutzhaube durch Einziehen des Griffs anheben, und sobald das Sägeblatt in das Werkstück eindringt, muss die untere Schutzhaube losgelassen werden. Bei allen anderen Sägearbeiten sollte die untere Schutzhaube automatisch arbeiten.
- d) Stets darauf achten, dass die untere Schutzhaube das Sägeblatt umschließt, bevor die Säge auf einer Werkbank oder dem Boden abgelegt wird. Ein ungeschütztes, auslaufendes Sägeblatt bewirkt, dass die Säge rückwärts wandert und schneidet, was ihr im Weg steht. Bedenken, dass das Anhalten des Sägeblatts nach Loslassen des Schalters etwas Zeit in Anspruch nimmt.

## ZUSÄTZLICHE SICHERHEITSHINWEISE

- Einschaltvorgänge erzeugen kurzfristige Spannungsabsenkungen; bei ungünstigen Netzbedingungen können Beeinträchtigungen anderer Geräte auftreten (bei Netzimpedanzen kleiner als 0,468 Ohm sind keine Störungen zu erwarten); für weitere Auskünfte setzen Sie sich bitte mit Ihrem örtlichen Energieversorger in Verbindung

## ALLGEMEINES

- Der Benutzer dieses Werkzeuges sollte älter als 16 Jahre sein
- Dieses Werkzeug ist für Naßschnitte nicht geeignet
- Ziehen Sie grundsätzlich den Netzstecker, bevor Sie beliebige Änderungen an den Einstellungen oder einen Zubehörwechsel vornehmen
- Verwenden Sie das Werkzeug niemals, wenn das Kabel beschädigt ist; es muss durch ein speziell vorbereitetes Kabel ersetzt werden, das über die Serviceorganisation erhältlich ist.
- Bearbeiten Sie kein asbesthaltiges Material (Asbest gilt als krebserregend)
- Staub von Materialien wie Farbe, die Blei enthält, einigen Holzarten, Mineralien und Metall kann schädlich sein (Kontakt mit oder Einatmen des Staubs kann zu allergischen Reaktionen und/oder Atemwegserkrankheiten beim Bediener oder Umstehenden führen); tragen Sie eine Staubmaske und arbeiten Sie mit einem Staubabsaugungssystem, wenn ein solches angeschlossen werden kann
- Bestimmte Arten von Staub sind als karzinogen klassifiziert (beispielsweise Eichen- und Buchenholzstaub), insbesondere in Verbindung mit Zusätzen für die Holzvorbehandlung; tragen Sie eine Staubmaske und arbeiten Sie mit einem Staubabsaugungssystem, wenn ein solches angeschlossen werden kann
- Beachten Sie die für Ihr verwendetes Verbrauchsmaterial gültigen nationalen Staubschutzvorgaben
- Ausschließend ein Säge Tischgestell verwenden mit integriertem Schalter, der einen Motorneuanlauf nach einer Stromunterbrechung verhindert
- Ausschließend ein Säge Tischgestell verwenden mit integriertem Spaltkeil

## ZUBEHÖR

- SKIL kann nur dann die einwandfreie Funktion des Werkzeuges zusichern, wenn Original-Zubehör verwendet wird
- Verwenden Sie nur Sägeblätter, die den in dieser Betriebsanleitung angegebenen Kenndaten entsprechen und nach EN 847-1 geprüft und entsprechend gekennzeichnet sind
- Nur Zubehör verwenden, dessen zulässige Drehzahl mindestens so hoch ist wie die höchste Leerlaufdrehzahl des Werkzeuges
- Verwenden Sie nur Sägeblätter mit einem Mindestdurchmesser von 184 mm, einem Maximaldurchmesser von 184 mm und einem Spindelochdurchmesser von 16 mm (5820)
- Verwenden Sie nur Sägeblätter mit einem Mindestdurchmesser von 190 mm, einem Maximaldurchmesser von 190 mm und einem Spindelochdurchmesser von 16 mm (5830)
- Die Benutzung von Sägeblättern aus hochlegiertem Schnell- arbeitsstahl (HSS) ist nicht zulässig
- Niemals Schleif-/Trennscheiben mit diesem Werkzeug verwenden

## VOR DER ANWENDUNG

- Stets nachprüfen, daß die Netzspannung mit der auf dem Typenschild des Werkzeuges angegebenen Spannung übereinstimmt
- Beschädigungen durch Schrauben, Nägel und ähnliches an Ihrem Werkstück vermeiden; diese vor Arbeitsbeginn entfernen
- Bevor Sie mit dem Schnitt beginnen, alle Hindernisse von der Ober- wie auch von der Unterfläche entfernen, die auf der Schnittstrecke liegen
- **Sichern Sie das Werkstück** (ein mit Spannvorrichtungen oder Schraubstock festgehaltenes Werkstück ist sicherer gehalten als mit der Hand)
- **Verwenden Sie geeignete Suchgeräte, um verborgene Versorgungsleitungen aufzuspüren, oder ziehen Sie die örtliche Versorgungsgesellschaft hinzu** (Kontakt mit Elektroleitungen kann zu Feuer und elektrischem Schlag führen; Beschädigung einer Gasleitung kann zur Explosion führen; Eindringen in eine Wasserleitung verursacht Sachbeschädigung oder kann einen elektrischen Schlag verursachen)
- Bei Benutzung von Verlängerungskabeln ist darauf zu achten, daß das Kabel vollständig abgerollt ist und eine Kapazität von 16 A hat

## WÄHREND DER ANWENDUNG

- Der Geräuschpegel beim Arbeiten kann 85 dB(A) überschreiten; Gehörschutz tragen
- Das Werkzeug niemals ohne das Original-Schutz benutzen
- Nicht versuchen sehr kleine Werkstücke zu sägen
- Mit dem Werkzeug nicht über dem Kopf arbeiten
- Im Falle von Blockieren, atypischem Verhalten oder Fremdgeräuschen, das Werkzeug sofort abschalten und den Netzstecker ziehen
- Wird bei der Arbeit das Kabel beschädigt oder durchtrennt, Kabel nicht berühren, sondern sofort den Netzstecker ziehen

## NACH DER ANWENDUNG

- Sobald Sie sich von Ihrem Werkzeug entfernen, sollte dieses ausgeschaltet werden und die sich bewegenden Teile vollkommen zum Stillstand gekommen sein

- Sägeblätter nach dem Ausschalten des Werkzeuges nicht durch seitliches Gegendrücken bremsen

## ERKLÄRUNG DER SYMBOLE AUF DEM WERKZEUG

- ③ Die Bedienungsanleitung vor dem Gebrauch lesen
- ④ Doppelte Isolierung (kein Erdleiter erforderlich)
- ⑤ Das Werkzeug nicht in den Hausmüll werfen

## BEDIENUNG

- Montieren des Sägeblatts ②
  - ! **Netzstecker ziehen**
  - Sägeblattschlüssel T aus Halterung V nehmen
  - Spindelarretierungsknopf C drücken und halten, während Sie Sägeblattbolzen D mit Sägeblattschlüssel T entfernen
  - ! **Spindelarretierungsknopf C nur bei stillstehendem Werkzeug drücken**
  - Spindelarretierungsknopf C loslassen
  - Flansch E entfernen
  - ! **Sicherstellen, dass Spannflächen H von Flanschen völlig sauber sind und dem Sägeblatt gegenüber gerichtet sind**
  - unteren Blattschutz F mit Hebel G öffnen und halten, während Sie das Sägeblatt montieren, wobei Sägezähne und auf das Sägeblatt aufgedruckter Pfeil in dieselbe Richtung wie der Pfeil auf dem oberen Blattschutz zeigen
  - unteren Blattschutz F loslassen
  - Flansch E montieren
  - Spindelarretierungsknopf C drücken und halten, während der Sägeblattbolzen mit dem Sägeblattschlüssel angezogen wird, und zwar 1/8 Drehung an fingerfest vorbei (gewährleistet Rutschen des Sägeblatts, wenn es auf übertriebenen Widerstand trifft, wodurch Motorüberlastung und Rückschlag der Säge reduziert werden)
  - Spindelarretierungsknopf C loslassen
- Schnitthefeneinstellung ⑥
  - für eine optimale Schnittgüte sollte das Sägeblatt nicht mehr als 3 mm unter dem Werkstück überstehen
  - Knopf J lösen
  - Fuß K anheben/absenken bis gewünschte Schnitttiefe auf Winkelgradierung anhand des Zeigers L erreicht ist
  - Knopf J wieder anziehen
- Schnittwinkleinstellung (0-50°) ⑦
  - Knopf M lösen
  - Werkzeug kippen bis gewünschte Schnittwinkel auf Winkelgradierung anhand des Zeigers N erreicht ist
  - Knopf M wieder anziehen
  - ! **bei einem Gehrungsschnitt entspricht die auf der Tiefengradierung angezeigte Schnitttiefe nicht der effektiven Schnitttiefe**
- 90°-Schnittwinkelprüfung ⑦
  - Fuß K auf Maximalschnitttiefe einstellen und anziehen ⑥
  - Schnittwinkel auf 0° einstellen und anziehen
  - prüfen Sie den 90°-Winkel zwischen Sägeblatt und Fußunterseite mit einem Winkelmaß
  - wenn eine Nachstellung erforderlich ist, Knopf M lösen und Einstellschraube P wie abgebildet verwenden
- Einstellbares Schnittlinie-Sichtfenster Q ⑧
  - für die präzise Führung des Werkzeuges die auf dem Werkstück gezogene Schnittlinie entlang

- für einen geraden 0°-Schnitt oder einen 45°-Gehrungsschnitt die entsprechenden Zeigerlinie verwenden

! **der größere Teil des Fußes sollte auf dem aufgestützten Teil des Werkstücks aufliegen**

- kann auf unterschiedliche Sägeblattbreiten eingestellt werden, jedoch kann es sein, dass eine Seite des Sägeblattes nicht fluchtet, dann wählen Sie, ob sich das Abfallmaterial auf der Innen- oder Außenseite des Sägeblattes befindet ⑧

! **die Schnittbreite wird durch die Sägezahnbreite und nicht durch die Sägeblattdicke festgelegt**

! **immer zuerst einen Probeschnitt ausführen, um die effektive Schnittlinie zu überprüfen**

#### • Staubabsaugung

- Saugschlauch auf Adapter Y ⑨ stecken

! **achten Sie darauf, dass der Staubsaugerschlauch die Öffnung des unteren Blattschutzes oder die Schnittarbeit niemals hemmt**

#### • Bedienung des Werkzeuges ⑨

- Netzstecker an der Steckdose anschließen

- immer mit einer Hand Griff R und mit der anderen Hand Griff S festhalten

- Werkzeug mit der Fußvorderseite flach auf dem Werkstück positionieren

! **stellen Sie sicher, dass die Sägeblattzähne nicht im Werkstück verkeilt sind**

- das Werkzeug einschalten, indem Sie zuerst Knopf B (= Sicherheitsschalter den man nicht festsetzen kann) drücken und dann Schalter A betätigen

! **die Säge muß erst die Höchstgeschwindigkeit erreichen bevor das Sägeblatt in das Werkstück eingeführt wird**

- der untere Blattschutz F öffnet selbsttätig, wenn das Sägeblatt in das Werkstück eingeführt wird (den unteren Blattschutz nur für spezielle Schnitte wie Einsetzschnitte manuell öffnen; hierzu Hebel G benutzen)

! **drücken Sie nicht übermäßig auf das Werkzeug (wenden Sie einen leichten und gleichmäßigen Druck an, um die Blattspitzen nicht zu überhitzen und beim Sägen von Kunststoff ein Schmelzen des Kunststoffmaterials zu vermeiden)**

! **Werkzeug beim Arbeiten immer am grauen Griffbereich fassen**

- nach Abschluß des Schnittes das Werkzeug durch Lösen von Schalter A ausschalten

! **stellen Sie sicher, dass das Blatt vollkommen zum Stillstand gekommen ist, bevor Sie das Werkzeug vom Werkstück entfernen**

## ANWENDUNGSHINWEISE

• Die Oberfläche des Werkstücks grundsätzlich nach unten zeigend aufliegen, um somit Absplinterungen auf ein Mindestmaß zu begrenzen

• Nur scharfe Sägeblätter vom richtigen Typ ⑩ benutzen  
- die Qualität des Schnittes erhöht sich mit der Anzahl der Zähne

- Hartmetallbestückte Sägeblätter haben eine bis zu 30 Mal längere Lebensdauer als konventionelle Sägeblätter

#### • Seitenanschlag Z ⑪

- für exakte Parallelschnitte zur Werkstückkante  
- kann beiderseitig in den Fuß eingesetzt werden  
Einstellung Seitenanschlag

- Knopf AA lösen

- auf gewünschte Schnittbreite einstellen mit Seitenanschlagskala (Sichtfenster Q als 0-Referenz verwenden)

- Knopf AA wieder anziehen

#### • Einsetzschnitt ⑫

- gewünschte Schnittiefe einstellen

- das Werkzeug mit Sichtfenster Q nach vorn kippen in einer Reihe mit gewünschter Schnittlinie, die auf dem Werkstück markiert ist

- unteren Blattschutz F öffnen mit Hebel G

- kurz vor dem Eintauchen des Sägeblattes in das Werkstück das Werkzeug einschalten, und den rückwärtigen Werkzeuggesteuer, unter Verwendung der vorderen Fußkante als Auflagepunkt, langsam absenken

- das Werkzeug langsam nach unten absenken und gleichzeitig nach vorne schieben

- sobald das Sägeblatt in das Werkstück eindringt, Hebel G lösen

! **das Werkzeug grundsätzlich nicht rückwärts führen**

#### • Zuschnitt großer Platten bzw. Tafeln ⑬

- die Platte nahe der Schnittlinie entweder am Boden, auf einem Tisch oder einer Werkbank stützen

! **die Schnittiefe so einstellen, dass Sie die Platte durchtrennen und nicht in die Auflagedstützen sägen**

- falls der Seitenanschlag die gewünschten Schnittbreite nicht ermöglicht, eine gerade Holzleiste auf das Werkstück klemmen oder nageln, die als Schnittführung dient, und das Werkzeug mit der rechten Fußseite an dieser Führungsleiste führen

## WARTUNG / SERVICE

• Dieses Werkzeug eignet sich nicht für den professionellen Einsatz

• Halten Sie Werkzeug und Kabel immer sauber (insbesondere die Lüftungsschlitze AB)

! **Netzstecker vor dem Säubern ziehen**

• Halten Sie den Bereich um den unteren Blattschutz F ② herum stets sauber (entfernen Sie Staub und Späne mit Hilfe von Druckluft oder einem Besen)

• Das Sägeblatt unmittelbar nach der Benutzung reinigen (insbesondere von Harz- und Leimrückständen)


• Sollte das Elektrowerkzeug trotz sorgfältiger Herstellungs- und Prüfverfahren einmal ausfallen, ist die Reparatur von einer autorisierten Kundendienststelle für SKIL-Elektrowerkzeuge ausführen zu lassen

- das Werkzeug **unzerlegt**, zusammen mit dem Kaufbeleg, an den Lieferer oder die nächste SKIL-Vertragswerkstätte senden (die Anschriften so wie die Ersatzteilzeichnung des Werkzeuges finden Sie unter [www.skil.com](http://www.skil.com))

• Beachten Sie, dass ein falscher oder unsachgemäßer Gebrauch des Werkzeuges zum Erlöschen der Garantie führt (die SKIL-Garantiebedingungen finden Sie unter [www.skil.com](http://www.skil.com) oder fragen Sie Ihren Händler)



## UMWELT

- **Elektrowerkzeuge, Zubehör und Verpackungen nicht in den Hausmüll werfen** (nur für EU-Länder)
  - gemäss Europäischer Richtlinie 2012/19/EG über Elektro- und Elektronik- Altgeräte und Umsetzung in nationales Recht müssen nicht mehr gebrauchsfähige Elektrowerkzeuge getrennt gesammelt und einer umweltgerechten Wiederverwertung zugeführt werden
  - hieran soll Sie Symbol  erinnern

## GERÄUSCH / VIBRATION


- Gemessen nach EN 62841 beträgt der Schalldruckpegel dieses Werkzeugs 97,0 dB(A) und der Schallleistungspegel 108,0 dB(A) (Unsicherheit K = 3 dB), und die Schwingung \* (Triaxektorsumme; Unsicherheit K = 1,5 m/s<sup>2</sup>)
    - \* Sägen von Holz 4,0 m/s<sup>2</sup>
    - \* Sägen von Metall 2,8 m/s<sup>2</sup>
  - Die Vibrationsemissionsstufe wurde mit einem standardisierten Test gemäß EN 62841 gemessen; Sie kann verwendet werden, um ein Werkzeug mit einem anderen zu vergleichen und als vorläufige Beurteilung der Vibrationsexposition bei Verwendung des Werkzeugs für die angegebenen Anwendungszwecke
    - die Verwendung des Werkzeugs für andere Anwendungen oder mit anderem oder schlecht gewartetem Zubehör kann die Expositionsstufe erheblich **erhöhen**
    - Zeiten, zu denen das Werkzeug ausgeschaltet ist, oder wenn es läuft aber eigentlich nicht eingesetzt wird, können die Expositionsstufe erheblich **verringern**
- ! Schützen Sie sich vor den Auswirkungen der Vibration durch Wartung des Werkzeugs und des Zubehörs, halten Sie Ihre Hände warm und organisieren Sie Ihren Arbeitsablauf**

NL

**Cirkelzaag**

**5820/5830**

## INTRODUCTIE

- Deze machine is bestemd voor het in de lengterichting zagen en afkorten van hout met een rechte zaaglijn tot onder een hoek van 50°; met de juiste zaagbladen kunnen ook nonferro-metalen, lichte bouwmaterialen en kunststoffen gezaagd worden
- Deze machine is niet bedoeld voor professioneel gebruik
- Lees en bewaar deze gebruiksaanwijzing 

## TECHNISCHE GEGEVENS

## MACHINE-ELEMENTEN

- A Trekkerschakelaar
- B Veiligheidsschakelaar
- C Asvergendelknop
- D Zaagbladbout
- E Flens
- F Onderste beschermkap
- G Hengel voor openen onderste beschermkap
- H Klemoppervlak
- J Knop voor instellen van zaagdiepte

- K Voetplaat
- L Aanwijzer zaagbladdiepte
- M Knop voor instellen verstekhoek
- N Aanwijzer verstekhoek
- P Schroef voor instellen 90° eindaanslag
- Q Zaaglijnvizier
- R Handgreep achter
- S Handgreep voor
- T Zaagbladsleutel
- V Obergplaats voor zaagbladsleutel
- W Spaanafvoer
- Y Stofzuigeraansluitstuk
- Z Breedtegeleider
- AA Knop voor instellen breedtegeleider
- AB Ventilatie-openingen

## VEILIGHEID

### ALGEMENE VEILIGHEIDSWAARSCHUWINGEN VOOR ELEKTRISCHE GEREEDSCHAPPEN

 **WAARSCHUWING** Lees alle veiligheidswaarschuwingen, instructies, afbeeldingen en specificaties die met dit elektrische gereedschap zijn meegeleverd. Het niet volgen van alle hieronder genoemde instructies kan elektrische schokken, brand en/of ernstig letsel tot gevolg hebben.

### Bewaar alle waarschuwingen en voorschriften voor toekomstig gebruik.

Het in de waarschuwingen gebruikte begrip "elektrische gereedschap" heeft betrekking op elektrische gereedschappen voor gebruik op het stroomnet (met netsnoer) en op elektrische gereedschappen voor gebruik met een accu (zonder netsnoer).

### 1) VEILIGHEID VAN DE WERKOMGEVING

- a) **Houd uw werkomgeving schoon en opgeruimd.** Een rommelige of onverlichte werkomgeving kan tot ongevallen leiden.
- b) **Werk met het gereedschap niet in een omgeving met explosiegevaar waarin zich brandbare vloeistoffen, gassen of stof bevinden.** Elektrische gereedschappen veroorzaken vonken die het stof of de dampen tot ontsteking kunnen brengen.
- c) **Houd kinderen en andere personen tijdens het gebruik van het elektrische gereedschap uit de buurt.** Wanneer u wordt afgeleid, kunt u de controle over het gereedschap verliezen.

### 2) ELEKTRISCHE VEILIGHEID

- a) **De aansluitstekker van het gereedschap moet in het stopcontact passen. De stekker mag in geen geval worden veranderd. Gebruik geen adapterstekkers in combinatie met geaarde gereedschappen.** Onveranderde stekkers en passende stopcontacten beperken het risico van een elektrische schok.
- b) **Voorkom aanraking van het lichaam met geaarde oppervlakken, bijvoorbeeld van buizen, verwarmingen, fornuizen en koelkasten.** Er bestaat een verhoogd risico door een elektrische schok wanneer uw lichaam geaard is.
- c) **Houd het gereedschap uit de buurt van regen en**

- vocht.** Het binnendringen van water in het elektrische gereedschap vergroot het risico van een elektrische schok.
- d) **Gebruik de kabel niet voor een verkeerd doel, om het gereedschap te dragen of op te hangen of om de stekker uit het stopcontact te trekken. Houd de kabel uit de buurt van hitte, olie, scherpe randen en bewegende gereedschapsdelen.** Beschadigde of in de war geraakte kabels vergroten het risico van een elektrische schok.
- e) **Wanneer u buitenshuis met elektrisch gereedschap werkt, dient u alleen verlengkabels te gebruiken die voor gebruik buitenshuis zijn goedgekeurd.** Het gebruik van een voor gebruik buitenshuis geschikte verlengkabel beperkt het risico van een elektrische schok.
- f) **Als het gebruik van het elektrische gereedschap in een vochtige omgeving onvermijdelijk is, dient u een aardlekschakelaar te gebruiken.** Het gebruik van een aardlekschakelaar vermindert het risico van een elektrische schok.
- 3) PERSOONLIJKE VEILIGHEID**
- a) **Wees alert, let goed op wat u doet en ga met verstand te werk bij het gebruik van het elektrische gereedschap. Gebruik het gereedschap niet wanneer u moe bent of onder invloed staat van drugs, alcohol of medicijnen.** Een moment van onoplettendheid bij het gebruik van het gereedschap kan tot ernstige verwondingen leiden.
- b) **Draag persoonlijke beschermende uitrusting en altijd een veiligheidsbril.** Het dragen van persoonlijke beschermende uitrusting zoals een stofmasker, slijpvaste werkschoenen, een veiligheidshelm of gehoorbescherming, afhankelijk van de aard en het gebruik van het elektrische gereedschap, vermindert het risico van verwondingen.
- c) **Voorkom per ongeluk inschakelen. Controleer dat het elektrische gereedschap uitgeschakeld is voordat u de stekker in het stopcontact steekt of de accu aansluit en voordat u het gereedschap oppakt of draagt.** Wanneer u bij het dragen van het elektrische gereedschap uw vinger aan de schakelaar hebt of wanneer u het gereedschap ingeschakeld op de stroomvoorziening aansluit, kan dit tot ongevallen leiden.
- d) **Verwijder instelgereedschappen of schroefslutels voordat u het gereedschap inschakelt.** Een instelgereedschap of sleutel in een draaiend deel van het gereedschap kan tot verwondingen leiden.
- e) **Probeer niet ver te reiken. Zorg ervoor dat u stevig staat en steeds in evenwicht blijft.** Daardoor kunt u het gereedschap in onverwachte situaties beter onder controle houden.
- f) **Draag geschikte kleding. Draag geen loshangende kleding of sieraden. Houd haren en kleding uit de buurt van bewegende delen.** Loshangende kleding, sieraden en lange haren kunnen door bewegende delen worden meegenomen.
- g) **Wanneer stofafzuigings- of stofopvangvoorzieningen kunnen worden gemonteerd, dient u zich ervan te verzekeren dat deze zijn aangesloten en juist worden gebruikt.** Het gebruik van een stofafzuiging beperkt het gevaar door stof.
- h) **Ondanks het feit dat u eventueel heel goed vertrouwd bent met het gebruik van gereedschappen, moet u ervoor zorgen dat u niet nonchalant wordt en veiligheidsvoorschriften voor het gereedschap gaat negeren.** Een onoplettende handeling kan binnen een fractie van een seconde ernstig letsel veroorzaken.
- 4) GEBRUIK EN ONDERHOUD VAN ELEKTRISCHE GEREEDSCHAPPEN**
- a) **Overbelast het gereedschap niet. Gebruik voor uw werkzaamheden het daarvoor bestemde elektrische gereedschap.** Met het passende elektrische gereedschap werkt u beter en veiliger binnen het aangegeven capaciteitsbereik.
- b) **Gebruik geen elektrisch gereedschap waarvan de schakelaar defect is.** Elektrisch gereedschap dat niet meer kan worden in- of uitgeschakeld, is gevaarlijk en moet worden gerepareerd.
- c) **Trek de stekker uit het stopcontact en/of neem de accu (indien uitneembaar) uit het elektrische gereedschap voordat u het elektrische gereedschap instelt, accessoires wisselt of het elektrische gereedschap opbergt.** Deze voorzorgsmaatregel voorkomt onbedoeld starten van het elektrische gereedschap.
- d) **Bewaar niet-gebruikte elektrische gereedschappen buiten bereik van kinderen. Laat het gereedschap niet gebruiken door personen die er niet mee vertrouwd zijn en deze aanwijzingen niet hebben gelezen.** Elektrische gereedschappen zijn gevaarlijk wanneer deze door onervaren personen worden gebruikt.
- e) **Verzorg het gereedschap zorgvuldig. Controleer of bewegende delen van het gereedschap correct functioneren en niet vastklemmen en of onderdelen zodanig gebroken of beschadigd zijn dat de werking van het gereedschap nadelig wordt beïnvloed. Laat beschadigde delen repareren voordat u het gereedschap gebruikt.** Veel ongevallen hebben hun oorzaak in slecht onderhouden elektrische gereedschappen.
- f) **Houd snijdende inzetgereedschappen scherp en schoon.** Zorgvuldig onderhouden snijdende inzetgereedschappen met scherpe snijkanten klemmen minder snel vast en zijn gemakkelijker te geleiden.
- g) **Gebruik elektrische gereedschappen, toebehoren, inzetgereedschappen en dergelijke volgens deze aanwijzingen. Let daarbij op de arbeidsomstandigheden en de uit te voeren werkzaamheden.** Het gebruik van elektrische gereedschappen voor andere dan de voorziene toepassingen kan tot gevaarlijke situaties leiden.
- h) **Houd handgrepen en greepvlakken droog, schoon en vrij van olie en vet.** Gladde handgrepen en greepvlakken verhinderen dat het gereedschap in onverwachte situaties veilig kan worden gehanteerd en bediend.
- 5) SERVICE**
- a) **Laat het gereedschap alleen repareren door gekwalificeerd en vakkundig personeel en alleen met originele vervangingsonderdelen.** Daarmee wordt gewaarborgd dat de veiligheid van het gereedschap in stand blijft.

## VEILIGHEIDSVOORSCHRIFTEN VOOR CIRKELZAGEN

### 1) ZAAGMETHODE

- a) **GEVAAR : Houd uw handen uit de buurt van de zaagomgeving en het zaagblad. Houd met uw andere hand de extra handgreep of het motorhuis vast.** Als u de zaagmachine met beide handen vasthoudt, kunnen uw handen niet door het zaagblad verwond worden.
- b) **Reik niet naar iets onder het werkstuk.** De beschermkap kan u onder het werkstuk niet beschermen tegen het zaagblad.
- c) **Stel de zaagdiepte in op de dikte van het werkstuk.** Onder het werkstuk dient minder dan een volledige tand van de zaagbladranden zichtbaar te zijn.
- d) **Houd het te zagen werkstuk nooit in uw hand of op uw been vast. Zet het werkstuk in een stabiele opname vast.** Het is belangrijk om het werkstuk goed te bevestigen, om het gevaar van contact met het lichaam, vastklemmen van het zaagblad of verlies van de controle te minimaliseren.
- e) **Houd het elektrische gereedschap uitsluitend vast aan de geïsoleerde greepvlakken voor het geval de snijmesses contact maken met verborgen snoeren of het eigen snoer** (wanneer snijmesses in contact komen met een onder spanning staand snoer, kunnen ook de metalen delen van het elektrische gereedschap onder spanning komen te staan, waardoor de gebruiker een schok kan krijgen)
- f) **Gebruik voor het afzagen van een langwerpig stuk hout altijd een breedtegeleider of een recht stuk hout als geleider.** Daarmee wordt nauwkeuriger gezaagd en de kans op het verklemmen van het zaagblad verkleind.
- g) **Gebruik altijd zaagbladen met de juiste maat en met een passende vorm van het opnameboorgat (bijv. stervormig of rond).** Zaagbladen die niet bij de montage delen van de zaagmachine passen, lopen niet rond en leiden tot het verliezen van de controle.
- h) **Gebruik nooit beschadigde of niet passende flenzen of bouten bij het zaagblad.** De zaagbladflenzen en -bout zijn speciaal ontworpen voor uw zaag, voor optimale prestatie en veiligheid tijdens het werk.

### 2) TERUGSLAG - OORZAKEN EN BIJBEHORENDE WAARSCHUWINGEN

- Terugslag is een plotselinge reactie op een vastgeklemd, vastgelopen of niet goed uitgelijnd zaagblad, waardoor de zaag ongecontroleerd uit het werkstuk omhoog richting gebruiker springt
  - Indien het zaagblad vastgeklemd zit of vastloopt in de zich sluitende zaagsnede, blokkeert het blad en zorgt de reactie-kracht van de motor ervoor, dat de machine snel richting gebruiker terug springt
  - Als het zaagblad in de zaagsnede vervormd raakt of niet recht in de zaagsnede loopt, kunnen de zaagtanden aan de achterkant van het zaagblad in de bovenste laag van het hout grijpen, met als gevolg dat het zaagblad uit de zaagsnede klimt en terug naar de gebruiker springt
  - Een terugslag is het gevolg van het verkeerd gebruik of onjuiste gebruiksomstandigheden van het elektrische gereedschap. Terugslag kan worden voorkomen door geschikte voorzorgsmaatregelen, zoals hieronder beschreven.
- a) **Houd de zaag altijd stevig met beide handen vast**

- en positioneer uw armen zodanig, dat u de krachten die ontstaan bij machine-terugslag kunt weerstaan. Positioneer uw lichaam aan één kant van het zaagblad, in ieder geval niet op dezelfde lijn als het zaagblad. Terugslag kan ervoor zorgen, dat de zaag naar achteren springt, maar terugslag-krachten kunnen door de gebruiker gecontroleerd worden als de juiste voorzorgsmaatregelen in acht genomen worden.
- b) **Laat de schakelaar los, indien het zaagblad vastloopt, of indien om een andere reden het zaagproces onderbroken wordt, en houd de machine bewegingsloos in het materiaal totdat het zaagblad volkomen tot stilstand komt. Probeer nooit om de zaag uit het werkstuk te verwijderen, of trek de zaag nooit naar achteren als het zaagblad in beweging is, want anders ontstaat terugslag.** Onderzoek en neem corrigerende maatregelen om de oorzaak van vastlopen van het zaagblad te elimineren. Vermijd het zagen in spijkers en schroeven.
  - c) **Plaats, bij het opnieuw starten van de machine als deze zich in het werkstuk bevindt, het zaagblad midden in de zaagsnede en controleer of de zaagtanden niet in het materiaal vastzitten.** Als het zaagblad vastloopt, kan het uit het werkstuk lopen of een terugslag-reactie geven als de machine opnieuw wordt gestart.
  - d) **Ondersteun grote panelen om het risico van vastklemmen en terugslaan van het zaagblad tot een minimum te beperken.** Grote panelen hebben de neiging onder hun eigen gewicht door te zakken. De steunpunten moeten aan beide kanten onder het paneel geplaatst worden, vlakbij de zaagsnede en vlakbij de zijkant van het paneel.
  - e) **Gebruik geen botte of beschadigde zaagbladen.** Een onscherp of onjuist geplaatst zaagblad zorgt voor een smalle zaagsnede met grote wrijving, vastlopen van het zaagblad en machine-terugslag als gevolg.
  - f) **De bedieningshendels voor het instellen van zaagdiepte en verstekhoek moeten stevig vastzitten, voordat u gaat zagen.** Als de zaagblad-instelling verschuift tijdens het zagen, kan dit vastlopen van het zaagblad en machine-terugslag tot gevolg hebben.
  - g) **Wees bijzonder voorzichtig bij zaagwerkzaamheden in bestaande muren of andere plaatsen zonder voldoende zicht.** Het invallende zaagblad kan bij zaagwerkzaamheden in niet-zichtbare voorwerpen blokkeren en een terugslag veroorzaken.
- ### 1) FUNCTIE VAN ONDERSTE BESCHERMKAP
- a) **Controleer vóór ieder gebruik of de onderste beschermkap op de juiste manier sluit. Gebruik de zaag niet als de onderste beschermkap niet vrij beweegt en/of niet onmiddellijk sluit. De onderste beschermkap nooit in opengedraaide positie vastklemmen of vastbinden.** Indien de zaag per ongeluk is gevallen, kan de onderste beschermkap verborgen zijn. Trek de stekker uit het stopcontact, open de onderste beschermkap met zijn hendel en zorg ervoor dat deze vrij beweegt en, onder alle hoeken en zaagdieptes, niet het zaagblad noch ieder ander machinedeel raakt.
  - b) **Controleer of de veer van de onderste beschermkap functioneert. Als de beschermkap en de veer niet juist functioneren, moeten zij vóór gebruik**

**gerepareerd worden.** De onderste beschermkap kan traag functioneren als gevolg van beschadigde onderdelen, kleverige aanslag, of opeenhoping van zaagafval.

- c) **De onderste beschermkap dient alleen handmatig geopend te worden in geval van speciale zaagsnedes, zoals invalzagen en samengestelde zaagsnedes. Open de onderste beschermkap met zijn hendel en laat deze los, zodra het zaagblad het materiaal bereikt.** Bij alle andere zaagbewerkingen dient de onderste beschermkap automatisch open te gaan.
- d) **Houd altijd in de gaten, dat de onderste beschermkap het zaagblad bedekt voordat u de zaag op een plank of vloer wegzet.** Een onbeschermd draaiend zaagblad zal de zaag naar achteren doen bewegen, daarbij alles doorzegend wat hij op zijn pad tegenkomt. Wees bewust van de tijd, die het zaagblad nodig heeft om te stoppen, nadat de schakelaar is losgelaten.

### EXTRA VEILIGHEIDSVOORSCHRIFTEN

- Inschakeling veroorzaakt een kortdurende spanningsdaling; bij een ongunstige conditie van het stroomnet kunnen nadelige gevolgen voor andere apparaten optreden (bij netimpedanties van minder dan 0,468 Ohm is het onwaarschijnlijk, dat er storingen optreden); voor meer informatie kunt u contact opnemen met uw plaatselijke energie-leverancier

### ALGEMEEN

- Deze machine mag niet worden gebruikt door personen onder de 16 jaar
- Deze machine is niet geschikt voor nat-zagen
- **Trek altijd de stekker uit het stopcontact voordat u een instelling verandert of een accessoire verwisselt**
- Gebruik de machine nooit als het snoer is beschadigd; het moet worden vervangen door een speciaal gemaakt snoer dat verkrijgbaar is via de serviceorganisatie.
- **Bewerk geen asbesthoudend materiaal** (asbest geldt als kankerverwekkend)
- Stof van materiaal zoals loodhoudende verf, sommige houtsoorten, mineralen en metaal kunnen schadelijk zijn (contact met of inademing van de stof kan allergische reacties en/of ademhalingsziekten bij gebruiker of omstanders veroorzaken); **draag een stofmasker en werk met een stofopvang-voorziening als die kan worden aangesloten**
- Bepaalde soorten stof zijn geclassificeerd als kankerverwekkend (zoals stof van eiken en beuken), met name in combinatie met toevoegingsmiddelen voor houtverzorging; **draag een stofmasker en werk met een stofopvang-voorziening als die kan worden aangesloten**
- Neem voor de door u te bewerken materialen de nationale voorschriften aangaande stofopvang in acht
- Gebruik alleen een zaagtafel voorzien van een schakelaar ter voorkoming van herstarten van de motor na stroomonderbreking
- Gebruik alleen een zaagtafel voorzien van een spouwmes

### ACCESSOIRES

- SKIL kan alleen een correcte werking van de machine garanderen, indien originele accessoires worden gebruikt

- Gebruik alleen zaagbladen die voldoen aan de in deze gebruiksaanwijzing vermelde specificaties, volgens EN 847-1 zijn gecontroleerd en overeenkomstig zijn gemarkeerd
- Gebruik alleen accessoires met een toegestaan toerental, dat minstens even hoog is als het hoogste onbelaste toerental van de machine
- Gebruik uitsluitend zaagbladen met een minimale diameter van 184 mm, een maximale diameter van 184 mm en een asgat van 16 mm (**5820**)
- Gebruik uitsluitend zaagbladen met een minimale diameter van 190 mm, een maximale diameter van 190 mm en een asgat van 16 mm (**5830**)
- Gebruik nooit HSS-zaagbladen
- Gebruik nooit afbraam-/ (door)slijpschijven bij deze machine

### VOÓR GEBRUIK

- Controleer altijd of het voltage, dat vermeld staat op het typeplaatje van de machine, overeenkomt met de netspanning
- Voorkom schade, die kan ontstaan door schroeven, spijkers en andere voorwerpen in uw werkstuk; verwijder deze, voordat u aan een karwei begint
- Verwijder, voordat u begint te zagen, alle obstakels zowel boven als onder het zaagvlak
- **Zet het werkstuk vast** (een werkstuk, dat is vastgezet met klemmen of in een bankschroef, zit steviger vast dan wanneer het met de hand wordt vastgehouden)
- **Gebruik een geschikt detectieapparaat om verborgen stroom-, gas- of waterleidingen op te sporen of raadpleeg het plaatselijke energie- of waterleidingbedrijf** (contact met elektrische leidingen kan tot brand of een elektrische schok leiden; beschadiging van een gasleiding kan tot een explosie leiden; breuk van een waterleiding veroorzaakt materiële schade en kan tot een elektrische schok leiden)
- Gebruik volledig uitgerolde en veilige verlengsnoeren met een capaciteit van 16 Ampère

### TIJDENS GEBRUIK

- Tijdens het werken kan het geluidsniveau 85 dB(A) overschrijden; draag oorbeschermers
- Gebruik uw machine nooit zonder het originele beschermkapsysteem
- Probeer niet om uitzonderlijk kleine werkstukken te zagen
- Werk niet boven uw hoofd met de machine
- Schakel, in geval van blokkering of elektrische of mechanische storing, de machine onmiddellijk uit en trek de stekker uit het stopcontact
- Raak het snoer niet aan, als dit tijdens de werkzaamheden wordt beschadigd of doorgesneden, maar trek onmiddellijk de stekker uit het stopcontact

### NA GEBRUIK

- Als u de machine wegzet moet de motor uitgeschakeld zijn en de bewegende delen tot stilstand zijn gekomen
- Na uitschakeling van uw cirkelzaagmachine, nooit een draaiend cirkelzaagblad stoppen door er aan de zijkant iets tegenaan te drukken

### UITLEG VAN SYMBOLEN OP MACHINE

- ③ Lees de gebruiksaanwijzing vóór gebruik
- ④ Dubbele isolatie (geen aarddraad nodig)
- ⑤ Geef de machine niet met het huisvuil mee

### GEBRUIK

- Monteren van zaagblad ②  
**! trek de stekker uit het stopcontact**

- haal zaagbladsleutel T uit opbergplaats V
- druk asvergrendelknop C in en houd deze vast terwijl u bout D met zaagbladsleutel T verwijderd
- ! druk asvergrendelknop C alleen in als machine helemaal stilstaat**
- laat asvergrendelknop C los
- verwijder flens E
- ! zorg ervoor, dat het klemoppervlak H van de flenzen perfect schoon is en naar het zaagblad wijst**
- open onderste beschermkap F met hendel G en houd deze vast terwijl u het zaagblad monteert met de zaagtanden en de pijl op het zaagblad in dezelfde richting wijzend als de pijl op de bovenste beschermkap
- laat onderste beschermkap F los
- monteer flens E
- druk asvergrendelknop C in en houd deze vast terwijl u de bout eerst handvast draait, en hem met de zaagbladsleutel nog 1/8 slag verder vasttrekt (zorgt voor slippen van het zaagblad wanneer dit grote weerstand ondervindt, waardoor kans op overbelasting van de motor en machine-terugslag kleiner wordt)
- laat asvergrendelknop C los
- Instellen zaagdiepte ⑥
  - voor een optimale zaagsnede mag het zaagblad niet meer dan 3 mm onder het werkstuk uitsteken
  - draai knop J los
  - duw voet K omhoog/omlaag totdat gewenste zaagdiepte op schaal is ingesteld met behulp van aanwijzer L
  - draai knop J vast
- Instellen verstekhoek (0-50°) ⑦
  - draai knop M los
  - kantel machine totdat gewenste verstekhoek op schaal is ingesteld met behulp van aanwijzer N
  - draai knop M vast
- ! bij verstekzagen correspondeert de zaagdiepte niet met de waarde op de zaagdiepte-schaal**
- Controle 90° verstekhoek ⑦
  - stel voet K op maximale zaagdiepte in en zet deze vast ⑥
  - stel verstekhoek op 0° in en zet deze vast
  - controleer met een winkelhaak of hoek tussen zaagblad en onderkant voet 90° is
  - als bijstelling nodig is, knop M losdraaien, en instelschroef P gebruiken zoals weergegeven
- Verstelbaar zaaglijnvizier Q ⑧
  - voor het langs de gewenste, op werkstuk aangegeven, zaaglijn geleiden van machine
  - gebruik voor een rechte 0° zaagsnede of een 45° verstekzaagsnede de betreffende indicatielijn
- ! laat brede gedeelte van voet op ondersteunde gedeelte van werkstuk rusten**
- kan worden aangepast om tegemoet te komen aan verschillende zaagbladbreedtes, het kan echter zijn dat één kant van het zaagblad niet goed aansluit, in welk geval u moet kiezen of het overtollige materiaal aan de binnen- of buitenzijde van het blad valt ③
- ! breedte van zaagsnede wordt bepaald door dikte van zaagtanden en niet door dikte van zaagblad zelf**
- ! altijd eerst uitproberen op een stuk afvalmateriaal**
- Stofafzuiging
  - sluit een stofzuiger aan op aansluitstuk Y ⑨
  - ! laat de stofzuigerslang nooit het openen van de beschermkap of het zagen belemmeren**
- Werken met de machine ⑨
  - steek stekker in stopcontact
  - houd handgreep R altijd stevig met de ene en handgreep S stevig met de andere hand vast
  - plaats machine met voorkant van voet goed vlak op het werkstuk
  - ! zorg dat de zaagtanden het werkstuk niet raken**
  - schakel uw machine aan door eerst knop B (= veiligheidsschakelaar, die niet vastgezet kan worden) en daarna trekker A in te drukken
  - ! het zaagblad moet eerst op volle snelheid zijn voordat u het in het werkstuk leidt**
  - beschermkap F opent automatisch als u het zaagblad in het werkstuk leidt (open beschermkap alleen handmatig met hendel G voor speciale zaagsnedes zoals inval-zagen)
  - ! forceer de machine niet (oefen lichte en constante druk uit om oververhitting van de zaagbladpunten en het smelten van kunststof materiaal te voorkomen)**
  - ! houd de machine tijdens het werk altijd vast bij het(de) grijs-gekleurde greepvlak(ken)**
  - schakel uw machine, na het maken van de zaagsnede, uit door trekker A los te laten
  - ! zorg ervoor, dat het zaagblad tot stilstand gekomen is, voordat u de machine van het werkstuk haalt**

## TOEPASSINGSADVIES

- Leg de goede kant van het werkstuk altijd naar beneden om splinters tot een minimum te beperken
- Gebruik uitsluitend scherpe zaagbladen van het juiste type ⑩
  - hoe meer tanden, des te beter de zaagsnede
  - zaagbladen met hardmetalen tanden blijven tot 30 maal langer scherp dan gewone zaagbladen
- Breedtegeleider Z ⑪
  - voor het maken van een precieze zaagsnede langs de rand van een werkstuk
  - kan aan beide kanten van de voet bevestigd worden
- Instellen breedtegeleider
  - draai knop AA los
  - stel gewenste zaagbreedte in met behulp van schaal op breedtegeleider (gebruik zaaglijnvizier Q als 0-referentiepunt)
  - draai knop AA vast
- Invallend zagen ⑫
  - stel gewenste zaagdiepte in
  - kantel machine naar voren met zaaglijnvizier Q op één lijn met op werkstuk aangegeven gewenste zaaglijn
  - open onderste beschermkap F met hendel G
  - schakel, net voordat u het zaagblad in het werkstuk leidt, de machine in en laat achterkant van machine geleidelijk zakken terwijl u voorkant van voet als "scharnier" gebruikt
  - beweeg machine geleidelijk zowel naar beneden als naar voren
  - zodra het zaagblad het materiaal bereikt, hendel G loslaten

### ! de machine nooit naar achteren trekken

- Zagen van grote panelen ⑬
- ondersteun paneel dicht bij de zaagsnede op de grond, - onder tafel of een werkbank

### ! stel zaagdiepte zo in, dat u door paneel en niet door de ondersteuning zaagt

- indien breedtegeleider de gewenste zaagbreedte niet aankan, klem of spijker een recht stuk hout op werkstuk als een geleider, en gebruik de rechterkant van de voet tegen deze geleider

## ONDERHOUD / SERVICE

- Deze machine is niet bedoeld voor professioneel gebruik
- Houd machine en snoer altijd schoon (met name de ventilatie-openingen AB)

### ! trek de stekker uit het stopcontact vóór het reinigen

- Houd het gebied rondom de onderste beschermkap F ② altijd schoon (verwijder stof en splinters met behulp van perslucht of een borstel)
- Maak zaagblad onmiddellijk na gebruik schoon (met name als er hars of lijm op zit)
- Mocht het elektrische gereedschap ondanks zorgvuldige fabricage- en testmethoden toch defect raken, dient de reparatie te worden uitgevoerd door een erkende klantenservice voor SKIL elektrische gereedschappen
- stuur de machine **ongedemonteerd**, samen met het aankoopbewijs, naar het verkoopadres of het dichtstbijzijnde SKIL service-station (de adressen evenals de onderdeelentekening van de machine vindt u op [www.skil.com](http://www.skil.com))
- Denk erom, dat beschadigingen als gevolg van overbelasting of onjuist gebruik van de machine niet onder de garantie vallen (voor de garantievoorwaarden van SKIL zie [www.skil.com](http://www.skil.com) of raadpleeg uw dealer)

## MILIEU

- **Geef elektrisch gereedschap, accessoires en verpakkingen niet met het huisvuil mee** (alleen voor EU-landen)
- volgens de Europese richtlijn 2012/19/EG inzake oude elektrische en elektronische apparaten en de toepassing daarvan binnen de nationale wetgeving, dient afgedankt elektrisch gereedschap gescheiden te worden ingezameld en te worden afgevoerd naar een recycle-bedrijf, dat voldoet aan de geldende milieu-eisen
- symbool ⑤ zal u in het afdankstadium hieraan herinneren

## GELUID / VIBRATIE

- Gemeten in navolging van EN 62841 is het geluidsdrukniveau van deze machine 97,0 dB(A) en het geluidsvermogensniveau 108,0 dB(A) (onzekerheid K = 3 dB), en de trilling \* (triax vector som; onzekerheid K = 1.5 m/s<sup>2</sup>)
- \* zagen van hout 4,0 m/s<sup>2</sup>
- \* zagen van metaal 2,8 m/s<sup>2</sup>
- Het trillingsemisniveau is gemeten in overeenstemming met een gestandaardiseerde test volgens EN 62841; deze mag worden gebruikt om twee machines met elkaar te vergelijken en als voorlopige

beoordeling van de blootstelling aan trilling bij gebruik van de machine voor de vermelde toepassingen

- gebruik van de machine voor andere toepassingen, of met andere of slecht onderhouden accessoires, kan het blootstellingsniveau aanzienlijk **verhogen**
- wanneer de machine is uitgeschakeld of wanneer deze loopt maar geen werk verricht, kan dit het blootstellingsniveau aanzienlijk **reduceren**

**! bescherm uzelf tegen de gevolgen van trilling door de machine en de accessoires te onderhouden, uw handen warm te houden en uw werkwijze te organiseren**

S

## Cirkelsåg

5820/5830

## INTRODUKTION

- Maskinen är avsedd för sågning av raka längs- och tvärsnitt och i geringsvinklar upp till 50° i trä; med lämpliga sågklingor kan också icke-järnmetaller, lätt byggnadsmaterial och plast sågas
- Det här verktyget är inte avsedd för yrkesmässig användning
- Läs och spara denna instruktionsbok ③

## TEKNISKA DATA ①

## VERKTYGSELEMENT ②

- A Strömbrytare
- B Säkerhetsbrytare
- C Spindellåsknapp
- D Fästskruv för sågblad
- E Fläns
- F Undre skydd
- G Öppningsspak för nedre skydd
- H Klämyta
- J Knapp för inställning av sågdjup
- K Stöd
- L Indikator för sågdjup
- M Knapp för justering av sågningsvinkel
- N Indikator för sågningsvinkel
- P Skruv för justering av 90° ändstopp
- Q Såglinjefönster
- R Bakre handtag
- S Främre handtag
- T Nyckel för sågblad
- V Förvaring av bladnyckel
- W Spånutkast
- Y Damsugaradapter
- Z Sidoanslag
- AA Knapp för justering av sidoanslag
- AB Ventilationsöppningar

## SÄKERHET

### ALLMÄNNA SÄKERHETSANVISNINGAR FÖR ELVERKTYG

**⚠ VARNING Studera alla varningar, anvisningar, bilder och specifikationer gällande säkerhet som medföljer verktyget. Om anvisningarna inte följs kan det resultera i**

elektriska stötar, brand och/eller allvarliga personskador.

### **Förvara alla varningar och anvisningar för framtida bruk.**

Nedan använt begrepp "elverktyg" hänför sig till nätdrivna elverktyg (med nätsladd) och till batteridrivna elverktyg (sladdlösa).

#### **1) ARBETSPLATSSÄKERHET**

- a) **Håll arbetsplatsen ren och välbelyst.** Oordning på arbetsplatsen eller dåligt belyst arbetsområde kan leda till olyckor.
- b) **Använd inte elverktyget i explosionsfarlig omgivning med brännbara vätskor, gaser eller damm.** Elverktygen alstrar gnistor som kan antända dammet eller gaserna.
- c) **Håll under arbetet med elverktyget barn och obehöriga personer på betryggande avstånd.** Om du störs av obehöriga personer kan du förlora kontrollen över elverktyget.

#### **2) ELEKTRISK SÄKERHET**

- a) **Elverktygets stickpropp måste passa till vägguttaget. Stickproppen får absolut inte förändras. Använd inte adapterkontakter tillsammans med skyddsjordade elverktyg.** Oförändrade stickproppar och passande vägguttag reducerar risken för elektriskt slag.
- b) **Undvik kroppskontakt med jordade ytor som t. ex. rör, värmeelement, spisar och kylskåp.** Det finns en större risk för elektriskt slag om din kropp är jordad.
- c) **Skydda elverktyget mot regn och våta.** Tränger vatten in i ett elverktyg ökar risken för elektriskt slag.
- d) **Missbruka inte nätsladden och använd den inte för att bära eller hänga upp elverktyget och inte heller för att dra stickproppen ur vägguttaget. Håll nätsladden på avstånd från värme, olja, skarpa kanter och rörliga maskindelar.** Skadade eller tilltrasslade ledningar ökar risken för elektriskt slag.
- e) **När du arbetar med ett elverktyg utomhus använd endast förlängningssladdar som är godkända för utomhusbruk.** Om en lämplig förlängningssladd för utomhusbruk används minskar risken för elektriskt slag.
- f) **Använd en jordfelsbrytare om det inte är möjligt att undvika elverktygets användning i fuktig miljö.** Genom att använda en jordfelsbrytare minskas risken för elstöt.

#### **3) PERSONSÄKERHET**

- a) **Var uppmärksam, kontrollera vad du gör och använd elverktyget med förnuft. Använd inte elverktyget när du är trött eller om du är påverkad av droger, alkohol eller mediciner.** Under användning av elverktyg kan även en kort uppmärksamhet leda till allvarliga kroppsskador.
- b) **Bär alltid personlig skyddsutrustning och skyddsglasögon.** Användning av personlig skyddsutrustning som t. ex. dammfiltermask, halkfria säkerhetsskor, skyddshjälm och hörselskydd reducerar alltefter elverktygets typ och användning risken för kroppsskada.
- c) **Undvik oavsiktlig igångsättning. Kontrollera att elverktyget är fränkopplat innan du ansluter stickproppen till vägguttaget och/eller ansluter/**

**tar bort batteriet, tar upp eller bär elverktyget.** Om du bär elverktyget med fingret på strömställaren eller ansluter påkopplat elverktyg till nätströmmen kan olycka uppstå.

- d) **Ta bort alla inställningsverktyg och skruvnycklar innan du kopplar på elverktyget.** Ett verktyg eller en nyckel i en roterande komponent kan medföra kroppsskada.
  - e) **Överskatta inte din förmåga. Se till att du står stadigt och håller balansen.** I detta fall kan du lättare kontrollera elverktyget i oväntade situationer.
  - f) **Bär lämpliga kläder. Bär inte löst hängande kläder eller smycken. Håll håret och kläderna på avstånd från de rörliga delarna.** Löst hängande kläder, smycken och långt hår kan dras in av roterande delar.
  - g) **Vid elverktyg med dammutsugnings- och -uppsamlingsutrustning kontrollera att anordningarna är rätt monterade och används på korrekt sätt.** Användning av dammutsugning minskar de risker damm orsakar.
  - h) **Låt inte vanan att ofta använda verktygen göra att du blir slarvig och ignorerar verktygets säkerhetsprinciper.** En vårdslös åtgärd kan leda till allvarlig personskada inom bråkdelen av en sekund.
- #### **4) OMSORGSFULL HANTERING OCH ANVÄNDNING AV ELVERKTYG**
- a) **Överbelasta inte elverktyget. Använd för aktuellt arbete avsett elverktyg.** Med ett lämpligt elverktyg kan du arbeta bättre och säkrare inom angivet effektområde.
  - b) **Ett elverktyg med defekt strömställare får inte längre användas.** Ett elverktyg som inte kan kopplas in eller ur är farligt och måste repareras.
  - c) **Dra stickproppen ur vägguttaget och/eller ta bort batteriet, om det kan tas ut ur elverktyget, innan inställningar utförs, tillbehörsdelar byts ut eller elverktyget lagras.** Denna skyddsåtgärd förhindrar oavsiktlig inkoppling av elverktyget.
  - d) **Förvara elverktygen oåtkomliga för barn. Låt elverktyget inte användas av personer som inte är förtrogna med dess användning eller inte läst denna anvisning.** Elverktygen är farliga om de används av oerfarna personer.
  - e) **Underhåll elverktyg och tillbehör omsorgsfullt. Kontrollera att rörliga komponenter fungerar felritt och inte kärvar, att komponenter inte brustit eller skadats; orsaker som kan leda till att elverktygets funktioner påverkas menligt. Låt skadade delar repareras innan elverktyget återanvänds.** Många olyckor orsakas av dåligt skötta elverktyg.
  - f) **Håll skärverktygen skarpa och rena.** Omsorgsfullt skötta skärverktyg med skarpa eggar kommer inte så lätt i kläm och går lättare att styra.
  - g) **Använd elverktyget, tillbehör, insatsverktyg osv. enligt dessa anvisningar. Ta hänsyn till arbetsvillkoren och arbetsmomenten.** Används elverktyget på icke ändamålsenligt sätt kan farliga situationer uppstå.
  - h) **Håll handtag och greppytor torra, rena och fria från olja och fett.** Hala handtag och greppytor ger ingen säker hantering och kontroll över verktyget i oväntade situationer.
- #### **5) SERVICE**
- a) **Låt elverktyget repareras endast av kvalificerad**

fackpersonal och med originalreservdelar. Detta garanterar att elverktygets säkerhet upprätthålls.

## SÄKERHETSANVISNINGAR FÖR CIRKELSÅGAR

### 1) SÅGMETOD

- a) **FARA : Håll händerna på betryggande avstånd från sågområdet och sågklingan. Håll andra handen på stödhandtaget eller motorhuset.** Om båda händerna hålls på sågen kan de inte skadas av sågklingan.
- b) **Sträck dig inte under arbetsstycket.** Skyddet skyddar dig inte från sågbladet under arbetsstycket.
- c) **Justera skärdjupet gentemot tjockleken av arbetsstycket.** Mindre än hela längden av en av sågklingans tänder skall vara synlig genom arbetsstycket.
- d) **Arbetsstycket som ska sågas får aldrig hållas i handen eller över benen. Säkra arbetsstycket på ett stabilt stöd.** Det är viktigt att arbetsstycket hålls fast ordentligt för undvikande av kontakt med kroppen, inklämning av sågklinga eller förlorad kontroll över sågen.
- e) **Håll det elektriska verktyget i de isolerade handtagen/ytorna eftersom klippbladen kan komma i kontakt med dolda sladdar eller verktygets egen sladd** (om en strömförande sladd skadas av klippbladen kan metalldelar i verktyget också bli strömförande, vilket kan ge användaren en elektrisk stöt)
- f) **Vid klyvsågning ska alltid ett sidoanslag eller ett raksågningstykke användas.** Det gör att sågkanten blir rakare och minskar risken för att sågbladet kör fast.
- g) **Använd alltid sågklingor i rätt storlek och med lämplig infästningshål (t. ex. i stjärnform eller runt).** Sågklingor som inte passar till sågens monteringskomponenter roterar runt och leder till att kontrollen förloras över sågen.
- h) **Använd aldrig skadade eller felaktiga brickor eller bultar för att fästa sågbladet.** Brickorna och bultarna är speciellt tillverkade för sågen, för bästa prestanda och högsta säkerhet vid användningen.

### 2) BAKSLAG – ORSAKER OCH MOTSVARANDE ANVISNINGAR

- Ett bakslag är en plötslig reaktion på ett klämt, fastkört eller felställt sågblad, som gör att sågen lyfts upp och ut ur arbetsstycket på ett okontrollerat sätt
  - Om sågbladet kläms eller körs fast här genom att sågspåret stänger sig, stannar sågbladet och motorreaktionen driver enheten snabbt bakåt mot operatören
  - Om sågbladet blir vridet eller felställt i spåret kan tänderna i bakre delen av sågbladet tränga in i övre delen av arbetsstycket, lämna spåret och hoppa bakåt mot operatören
  - Bakslag uppstår till följd av missbruk eller felaktig hantering av elverktyget. Detta kan undvikas genom skyddsåtgärder som beskrivs nedan.
- a) **Håll stadigt i sågen med båda händerna och håll armarna i ett läge som möjliggör att hålla stånd mot de bakslagskrafter som eventuellt uppstår. Stå alltid på sidan om sågklingan; håll aldrig sågklingan i linje med kroppen.** Vid ett bakslag kan sågen hoppa bakåt men användaren kan behålla bakslagskraften om lämpliga åtgärder vidtagits.
  - b) **Om sågklingan kommer i kläm eller arbetet avbryts, koppla från sågen och håll sågklingan i**

arbetsstycket tills den stannat fullständigt. **Försök aldrig dra sågen ur arbetsstycket eller bakåt så länge sågklingan roterar eller risk finns för att bakslag uppstår.** Lokalisera och åtgärda orsaken för inklämning av sågklingan. Undvik att såga på spikar och skruvar.

- c) **Vill du återstarta en såg som sitter i arbetsstycket centrera sågklingan i sågspåret och kontrollera att sågklingans tänder inte hakat upp sig i arbetsstycket.** Är sågklingan inklämd kan den gå upp ur arbetsstycket eller orsaka bakslag vid återstart av sågen.
- d) **Stöd stora skivor för att reducera risken för ett bakslag till följd av inklämd sågklinga.** Stora paneler sacker gärna under sin egen vikt. Stöd måste placeras under panelen på båda sidorna, nära såglinjen och nära panelens kant.
- e) **Använd inte oskarpa eller skadade sågklingor.** Sågklingor med oskarpa eller fel inriktade tänder medför till följd av ett för smalt sågspår ökad friktion, inklämning av sågklingan och bakslag.
- f) **Handtagen för justering av sågdjup och sågvinkel måste vara åtdragna och säkrade före sågningen.** Om bladjusteringen ändras under sågningen kan sågklingan klämmas fast och orsaka bakslag.
- g) **Var speciellt försiktig vid sågning i existerande väggar eller andra dolda områden.** Den inträngande sågklingan kan blockera vid sågning i dolda objekt och försaka bakslag.

### 1) UNDER SKYDDETS FUNKTION

- a) **Kontrollera före varje användningstillfälle att undre skyddet stänger sig ordentligt. Använd inte sågen om undre skyddet inte rör sig fritt och stängs omedelbart. Kläm eller bind aldrig undre skyddet i öppet läge.** Om sågen tappas av misstag kan nedre skyddet bli böjt. Drag ur stickkontakten, fäll upp nedre skyddet med uppfällningshandtaget och kontrollera att det rör sig fritt och inte vidrör sågbladet eller någon annan del vid sågning i alla vinklar och djup.
- b) **Kontrollera att fjädern i undre skyddet fungerar. Om skyddet och fjädern inte fungerar ordentligt måste de genomgå service innan sågen används.** Nedre skyddet kan röra sig långsamt på grund av skadade delar, häftande avlagringar eller ansamlat skräp.
- c) **Nedre skyddet ska endast föras bort manuellt vid speciella sågningstyper såsom instickssägning och sammansatt sågning. Höj undre skyddet med handtaget och så fort som sågbladet går in i materialet måste nedre skyddet släppas fritt.** För all annan typ av sågning ska nedre skyddet träda in automatiskt.
- d) **Se alltid till att undre skyddet täcker sågbladet innan du ställer från dig sågen på en bänk eller på golvet.** Ett oskyddat sågblad i tomgång får sågen att röra sig bakåt och såga allt utefter den tillryggalagda sträckan. Var medveten om den tid det tar för sågbladet att stanna efter det att strömbrytaren släpps upp.

### EXTRA SÄKERHETSANVISNINGAR

- Inkopplingsförlöppen orsakar korta spänningssänkningar; vid ogynnsamma nätförutsättningar kan dessa menligt påverka andra maskiner (vid nätmipendaser under 0,468 ohm behöver inte störningar befaras); i fall ni önskar



ytterligare klagörande, var vänlig kontakta er lokala elleverantör myndighet

## ALLMÄNT

- Den här maskinen ska inte användas av personer under 16 år
- Denna maskin är inte lämplig till vätsågning
- **Dra alltid ur stickkontakten från väggurtaget innan du gör någon justering eller byter tillbehör**
- Använd aldrig verktyget om sladden är skadad; den måste bytas mot en särskilt utformad sladd som finns via serviceorganisationen.
- **Asbesthaltigt material får inte bearbetas** (asbest anses vara cancerframkallande)
- Viss typ av damm, exempelvis färg som innehåller bly, vissa träsorter, mineraler och metaller kan vara hälsovådliga om de inhaleras (hudkontakt eller inandning) kan ge allergisk reaktion och/eller luftvägsproblem/sjukdom hos personer i närheten); **använd andningsskydd och arbeta med en dammuppsamlare om sådan anslutning finns**
- Vissa typer av damm är klassificerade så som carcinogena (t.ex. ek- och björkdamm) särskilt i kombination med tillsatser för träbehandling; **använd andningsskydd och arbeta med en dammuppsamlare om sådan anslutning finns**
- Följ de nationella krav, som finns angående damm, för de material du skall arbeta med
- Använd endast sågbord som är utrustad med 0-spänningsströmbrytare som förhindrar återstart av motorn efter strömavbrott
- Använd endast sågbord som är utrustad med klyvkniven

## TILLBEHÖR

- SKIL kan endast garantera att maskinen fungerar felfritt om originaltillbehör används
- Använd endast sågklingor som motsvarar de i instruktionsboken angivna specifikationerna, som testats enligt EN 847-1 och försetts med godkännandemärke
- Använd endast tillbehör vilkas tillåtna varvtal åtminstone motsvarar maskinens högsta tomgångsvarvtal
- Använd endast sågblad med en minsta diameter på 184 mm, en största diameter på 184 mm och ett spindelhål på 16 mm (5820)
- Använd endast sågblad med en minsta diameter på 190 mm, en största diameter på 190 mm och ett spindelhål på 16 mm (5830)
- Använd aldrig en blad, som är gjord av snabbstål
- Använd aldrig slip/kapskivor till denna maskin

## FÖRE ANVÄNDNINGEN

- Kontrollera alltid att den tillförda strömtypen stämmer med spänningen som anges på maskinens märkplåt
- Undvik skador genom att ta bort skruvar, spikar eller andra föremål ur arbetsstycket; ta dem bort innan du startar ett arbete
- Se till att arbetsområdet är fritt från föremål innan du startar arbetet
- **Sätt fast arbetsstycket** (ett arbetsstycke fastsatt med skruvvingar eller i ett skruvstöd är mera stabilt än om det hålls fast för hand)
- **Använd lämpliga detektorer för lokalisering av dolda försörjningsledningar eller konsultera lokalt distributionsföretag** (kontakt med elledningar kan förorsaka brand och elstöt; en skadad gasledning kan leda till explosion; borning i vattenledning kan förorsaka saksador eller elstöt)
- Använd helt uttullade och säkra förlängningssladdar med kapacitet på 16 A

## UNDER ANVÄNDNINGEN

- Ljudnivån vid arbete kan överskrida 85 dB(A); använd hörselskydd
- Använd aldrig din maskin utan maskinens original säkerhetsdetaljer
- Säg ej extremt små arbetsstycken
- Använd aldrig din maskin ovanför huvudet
- I händelse av fastkörning, onormala elektriska eller mekaniska störningar, stäng genast av maskinen och dra ur stickkontakten
- Skadas eller kapas nätsladden under arbetet, rör inte vid sladden utan dra genast ur stickkontakten

## EFTER ANVÄNDNINGEN

- När du ställer ifrån dig maskinen måste motorn vara fränslagen och de rörliga delarna ska ha stannat fullständigt
- Efter att maskinen blivit avstängd, försök aldrig att stoppa rotationen genom att pressa något mot bladet, utan låt den stanna av sig självt

## FÖRKLARING AV SYMBOLERNA PÅ VERKTYGET

- ③ Läs bruksanvisningen före användning
- ④ Dubbel isolering (ingen jordning krävs)
- ⑤ Maskinen får inte kastas i hushållssoporna

## ANVÄNDNING

- Montering av sågbladet ②
  - ! **drag ur stickkontakten**
  - ta fram bladnyckeln T från förvaringsutrymmet V
  - håll ner spindelåsknappen C medan du tar ut bladbulen D med bladnyckeln T
  - ! **tryck bara på spindelåsknappen C medan verktyget står stilla**
  - släpp upp spindelåsknappen C
  - tag bort flänsen E
  - ! **se till att klämytorna H på flänsarna är helt rena och vända mot bladet**
  - öppna undre skyddet F med spaken G och håll det medan du monter sågbladet med sågtänder och pilen som är tryckt på sågbladet pekande i samma riktning som pilen på övre skyddet
  - släpp undre skyddet F
  - sätt tillbaka flänsen E
  - håll ner spindelåsknappen C medan du drar åt bladbulen med bladnyckeln 1/8 varv mer än fingerkraft (möjliggör slirning av sågblad vid sågning med hårt sågmotstånd och minskar överbelastning på motorn samt motverkar kast)
  - släpp upp spindelåsknappen C
- Justering av sågdjup ⑥
  - för optimal sågning skall ej sågbladet överstiga mer än 3 mm under arbetsstycket
  - lossa knapp J
  - tryck upp/ned foten K till önskad sågdjup på skalan genom användande av indikatorn L
  - dra åt knapp J
- Justering av sågvinkel (0-50°) ⑦
  - lossa knapp M
  - luta maskinen till önskad sågvinkel på skalan genom användande av indikatorn N
  - dra åt knapp M
- ! **vid fäsning, sågdjup överensstämmer ej med värdet på sågdjupsskalan**

- Kontroll av vinkel vid 90° ⑦
    - justera och dra åt foten K till maximalt sågdjup ⑥
    - justera och dra åt sågvinkeln till 0°
    - kontrollera 90° vinkel mellan blad och undersida av foten med en vinkelhake
    - om justering är nödvändig, lossa knapp M och använd ställskruven P enligt bilden
  - Justerbart såglinjefönster Q ⑧
    - för att föra maskinen längs önskad såglinje markerat på arbetsstycket
    - för rak 0° sågning eller 45° vinkelsågning använd angående indikatorlinjen
- ! den breda delen av foten skall vila på den stödjande delen av arbetsstycket**
- kan justeras för att riktas in med olika sågbladsbredder, men det kan förekomma att sågbladets ena sida inte riktas in, och i så fall väljer du om överskottsmaterialet ska vara på bladets inre eller yttre sida ③
- ! sågbredd är fastställd av vidden på sågtänderna och ej på vidden av bladkroppen**
- ! gör alltid en provsågning först för att fastställa den verkliga såglinjen**

- Dammuppsugning
    - anslut dammsugare till anslutning Y ④
- ! låt ej dammsugarslangen hindra undre klingskyddet eller sågning**
- Användning av maskinen ⑨
    - sätt kontakten i väggurtaget
    - håll alltid fast handtaget R stadigt med en hand och handtaget S stadigt med den andra handen
    - placera maskinen med fotplattans framsida plant på arbetsstycket
- ! se till att sågtänderna ej går emot arbetsstycket**
- starta maskinen genom att först trycka in knappen B (= säkerhetsströmbrytare som ej kan låsas) och därefter avtryckaren A
- ! maskinen skall ha nått max. varvtal innan bladet kommer i kontakt med arbetsstycket**
- det undre skyddet F öppnas automatiskt när sågbladet kommer i kontakt med arbetsstycket (öppna undre skyddet manuellt genom att föra undan det med spaken G endast för speciell sågning som dyksågning)
- ! överbelasta inte maskinen (använd lätt och jämnt tryck för att undvika överhettning av bladspetsarna och att plasten smälter om plastmaterial bearbetas)**
- ! under arbetet, håll alltid verktyget i det gra greppet**
- när du är färdig, stäng av maskinen genom att släppa avtryckaren A
- ! försäkra dig om att bladet helt har stannat innan maskinen lyfts från det sågade materialet**

## ANVÄNDNINGSTIPS

- Lägg alltid den finaste sidan av arbetsstycket nedåt för att förhindra minimum av flis
- Använd endast skarpa sågblad av rätt sort ⑩
  - kvaliteten på sågsnittet förbättras genom antalet tänder
  - hårdmetallblad förblir vassa upp till 30 gånger längre än vanliga blad
- Sidoanslag Z ⑪
  - för exakt sågning längs arbetsstyckets kanter

- kan infogas i båda sidorna av foten
- Justering av sidoanslag
- lossa knapp AA
  - justera till önskad sågvidd med hjälp av skalan på sidoanslaget (använd såglinjefönster Q som 0-referens)
  - dra åt knapp AA
- Instickssägning ⑫
    - ställ in önskat sågdjup
    - luta maskinen framåt med såglinjefönstren Q i linje med önskad såglinje som finns markerad på arbetsstycket
    - öppna undre skyddet F med spaken G
    - starta maskinen innan bladet kommer i kontakt med arbetsstycket och gradvis sänker bakkdelen av maskinen i arbetsstycket genom att använda främre delen av foten som stöd
    - föra maskinen gradvis nedåt och framåt
    - så fort som sågbladet går in i materialet, lösgör spak G
- ! dra aldrig maskinen bakåt**
- Sågning av stora paneler ⑬
    - stöd panel nära sågning på ett golv, bord eller arbetsbänk
- ! ställ in sågdjup så att du såg genom panelen och ej genom stödet**
- om sidoanslaget är för kort för önskad sågvidd kläm eller spika fast en rak träbit till arbetsstycket som ett anhåll, och använd högra sidan av foten mot detta anhåll

## UNDERHÅLL / SERVICE

- Det här verktyget är inte avsedd för yrkesmässig användning
- Håll alltid din maskin och sladden ren (speciellt ventilationsöppningarna AB)
- **! drag ur stickkontakten innan rengöring**
- Håll alltid området runt det nedre skyddet F ② rent (avlägsna damm och spån med hjälp av tryckluft eller en borste)
- Rengör sågbladet direkt efter användning (speciellt efter kåda och lim)
- Om i elverktyget trots exakt tillverkning och sträng kontroll störning skulle uppstå, bör reparation utföras av auktoriserad serviceverkstad för SKIL elverktyg
  - sänd in verktyget i **odemonterat skick** tillsammans med inköpsbevis till försäljaren eller till närmaste SKIL serviceverkstad (adresser till servicestationer och sprängskisser av maskiner finns på [www.skil.com](http://www.skil.com))
- Observera att skada till följd av ovarsamhet eller överbelastning inte täcks av garantin (för SKIL garantivillkor gå till [www.skil.com](http://www.skil.com) eller fråga återförsäljaren)

## MILJÖ

- **Elektriska verktyg, tillbehör och förpackning får inte kastas i hushållssoporna** (gäller endast EU-länder)
  - enligt direktivet 2012/19/EG som avser äldre elektrisk och elektronisk utrustning och dess tillämpning enligt nationell lagstiftning ska uttjänta elektriska verktyg sorteras separat och lämnas till miljövänlig återvinning
  - symbolen ⑤ kommer att påminna om detta när det är tid att kassera

## LJUD / VIBRATION

- Det här verktygets ljudtrycksnivå som mätts enligt EN 62841 är 97,0 dB(A), ljudeffektnivån är 108,0 dB(A) (osäkerhet K = 3 dB) och vibrationen \* (triax vektorsumma; osäkerhet K = 1,5 m/s<sup>2</sup>)
    - \* sågning av trä 4,0 m/s<sup>2</sup>
    - \* sågning av metall 2,8 m/s<sup>2</sup>
  - Vibrationsemissionsvärdet har uppmätts enligt ett standardiserat test i enlighet med EN 62841; detta värde kan användas för att jämföra vibrationen hos olika verktyg och som en ungefärlig uppskattning av hur stor vibration användaren utsätts för när verktyget används enligt det avsedda syftet
    - om verktyget används på ett annat än det avsedda syftet eller med fel eller dåligt underhållna tillbehör kan detta drastiskt **öka** vibrationsnivån
    - när verktyget stängs av eller är på men inte används, kan detta avsevärt **minska** vibrationsnivån
- ! skydda dig mot vibration genom att underhålla verktyget och dess tillbehör, hålla händerna varma och styra upp ditt arbetssätt**

DK

**Rundsav 5820/5830**

## INLEDNING

- Verktyget är beräknat till att utföra längde- och tvärsnit med lige snitforløb og geringsvinkler op til 50° i træ; brug af passende savklinger gør det også muligt at save i ikke-jernmetal, lette byggematerialer og kunststof
- Dette værktøj er ikke beregnet til professionelt brug
- Læs og gem denne betjeningsvejledning ③

## TEKNISKE DATA ①

## VÆRKTØJETS DELE ②

- A Udløserkontakt
- B Sikkerhedsafbryder
- C Spindelåseknop
- D Klingebolt
- E Flange
- F Nederste afskærmning
- G Arm til åbning af nederste afskærmning
- H Klemmeplade
- J Knap til indstilling af savdybde
- K Fodplade
- L Indikator for skæredybde
- M Knap til justering af skærevinkel
- N Indikator for skærevinkel
- P Skrue til justering af 90° endestop
- Q Savelinjevistr
- R Baghåndtag
- S Forhåndtag
- T Klingenøgle
- V Opbevaring af klingenøgle
- W Spånudkast
- Y Støvsugeradaptere
- Z Sidestyrt
- AA Knap til justering af save-gærde
- AB Ventilationshuller

## SIKKERHED

### GENERELLE SIKKERHEDSINSTRUKSER FOR EL-VÆRKTØJ

**⚠ ADVARSEL Læs alle sikkerhedsadvarsler, instruktioner, illustrationer og specifikationer, der leveres med dette elektriske værktøj.** Hvis alle instruktioner opført herunder ikke følges, kan det medføre elektrisk stød, brand og/eller alvorlige kvæstelser.

### Gem alle advarsler og instruktioner til senere brug.

Begrebet "elværktøj" i advarslerne refererer til elværktøj, der kører på lysnettet (med netkabel) samt batteridrevet værktøj (uden netkabel).

#### 1) SIKKERHED PÅ ARBEJDSPLADSEN

- a) **Sørg for, at arbejdsområdet er rent og ryddeligt.** Uorden eller uoplyste arbejdsområder øger faren for uheld.
- b) **Brug ikke elværktøjet i eksplosionstruede omgivelser, hvor der er brændbare væsker, gasser eller støv.** Elværktøjet kan slå gnister, der kan antænde støv eller dampe.
- c) **Sørg for, at andre personer og ikke mindst børn holdes væk fra arbejdsområdet, når el-værktøjet er i brug.** Hvis man distraheres, kan man miste kontrollen over elværktøjet.

#### 2) ELEKTRISK SIKKERHED

- a) **Elværktøjs stik skal passe til kontakten. Stikket må under ingen omstændigheder ændres. Brug ikke adapterstik sammen med jordforbundet elværktøj.** Uændrede stik, der passer til kontakterne, nedsætter risikoen for elektrisk stød.
  - b) **Undgå kropskontakt med jordforbundne overflader som f.eks. rør, radiatorer, komfurer og køleskabe.** Hvis din krop er jordforbundet, øges risikoen for elektrisk stød.
  - c) **Elværktøjet må ikke udsættes for regn eller fugt.** Indtrængning af vand i et elværktøj øger risikoen for elektrisk stød.
  - d) **Brug ikke ledningen til formål, den ikke er beregnet til. Du må aldrig bære elværktøjet i ledningen, hænge elværktøjet op i ledningen eller rykke i ledningen for at trække stikket ud af kontakten. Beskyt ledningen mod varme, olie, skarpe kanter eller maskindele, der er i bevægelse.** Beskadigede eller indviklede ledninger øger risikoen for elektrisk stød.
  - e) **Hvis elværktøjet benyttes i det fri, må der kun benyttes en forlængerledning, der er egnet til udendørs brug.** Brug af forlængerledning til udendørs brug nedsætter risikoen for elektrisk stød.
  - f) **Hvis det ikke kan undgås at bruge elværktøjet i fugtige omgivelser, skal der bruges et HFI-relæ.** Brug af et HFI-relæ reducerer risikoen for at få elektrisk stød.
- #### 3) PERSONLIG SIKKERHED
- a) **Det er vigtigt at være opmærksom, se, hvad man laver, og bruge el-værktøjet fornuftigt. Brug ikke noget el-værktøj, hvis du er træt, har nydt alkohol eller er påvirket af medikamenter eller euforiserende stoffer.** Få sekundens uopmærksomhed ved brug af el-værktøjet kan føre til alvorlige personskader.

- b) **Brug beskyttelsesudstyr og hav altid beskyttelsesbriller på.** Brug af sikkerhedsudstyr som f.eks. støvmaske, skridsikkert fodtøj, beskyttelseshjelm eller hørevarn afhængig af maskintype og anvendelse nedsætter risikoen for personskader.
- c) **Undgå utilsigtet igangsætning. Kontrollér, at el-værktøjet er slukket, før du tilslutter det til strømtilførslen og/eller akkuen, løfter eller bærer det.** Undgå at bære el-værktøjet med fingeren på afbryderen og sørg for, at el-værktøjet ikke er tændt, når det sluttes til nettet, da dette øger risikoen for personskader.
- d) **Gør det til en vane altid at fjerne indstillingsværktøj eller skruenøgle, før el-værktøjet tændes.** Hvis et stykke værktøj eller en nøgle sidder i en roterende maskindele, er der risiko for personskader.
- e) **Undgå en unormal legemssposition. Sørg for at stå sikkert, mens der arbejdes, og kom ikke ud af balance.** Dermed har du bedre muligheder for at kontrollere el-værktøjet, hvis der skulle opstå uventede situationer.
- f) **Brug egnet arbejdstøj. Undgå løse bekædningsgenstande eller smykker. Hold hår og tøj væk fra dele, der bevæger sig.** Dele, der er i bevægelse, kan gribe fat i løstliggende tøj, smykker eller langt hår.
- g) **Hvis støvudsugnings- og opsamlingsudstyr kan monteres, er det vigtigt, at dette tilsluttes og benyttes korrekt.** Brug af en støvopsugning kan reducere støvmængden og dermed den fare, der er forbundet støv.
- h) **Selvom du kender værktøjet godt og er vant til at bruge det, skal du alligevel være opmærksom og overholde sikkerhedsanvisningerne.** Et øjeblik uopmærksomhed kan medføre alvorlige personskader.
- 4) OMHYGGELIG OMGANG MED OG BRUG AF EL-VÆRKTØJ**
- a) **Undgå overbelastning af el-værktøjet. Brug altid et el-værktøj, der er beregnet til det stykke arbejde, der skal udføres.** Med det passende el-værktøj arbejder man bedst og mest sikkert inden for det angivne effektområde.
- b) **Brug ikke et el-værktøj, hvis afbryder er defekt.** Et el-værktøj, der ikke kan startes og stoppes, er farligt og skal repareres.
- c) **Træk stikket ud af stikkontakten og/eller fjern akkuen, hvis den er aftagelig, før maskinen indstilles, før skift af tilbehørsdele eller før el-værktøjet lægges til opbevaring.** Disse sikkerhedsforanstaltninger forhindrer utilsigtet start af el-værktøjet.
- d) **Opbevar ubenyttet el-værktøj uden for børns rækkevidde. Lad aldrig personer, der ikke er fortrolige med el-værktøjet eller ikke har gennemlæst disse instrukser, benytte el-værktøjet.** El-værktøj er farligt, hvis det benyttes af ukyndige personer.
- e) **Vedligehold el-værktøj og tilbehørsdele. Kontroller, om bevægelige maskindele fungerer korrekt og ikke sidder fast, og om delene er brækket eller beskadiget, således at el-værktøjets funktion påvirkes. Få beskadigede dele repareret, inden el-værktøjet tages i brug.** Mange uheld skyldes dårligt

vedligeholdte el-værktøjer.

- f) **Sørg for, at skæreværktøjer er skarpe og rene.** Omhyggeligt vedligeholdte skæreværktøjer med skarpe skærekanter sætter sig ikke så hurtigt fast og er nemmere at føre.
- g) **Brug el-værktøj, tilbehør, indsatsværktøj osv. iht. disse instrukser. Tag hensyn til arbejdsforholdene og det arbejde, der skal udføres.** Anvendelse af el-værktøjet til formål, som ligger uden for det fastsatte anvendelsesområde, kan føre til farlige situationer.
- h) **Hold håndtag og gribeflader tørre, rene og fri for olie og smørefedt.** Hvis håndtag og gribeflader er glatte, kan værktøjet ikke håndteres og styres sikkert, hvis der sker noget uventet.
- 5) SERVICE**
- a) **Sørg for, at el-værktøj kun repareres af kvalificerede fagfolk og at der kun benyttes originale reservedele.** Dermed sikres størst mulig maskinsikkerhed.

## SIKKERHEDSFORSKRIFTER FOR RUNDSAVE

### 1) SAVEPROCEDURE

- a) **FARE : Hold fingrene væk fra saveområdet og savklingen. Hold på ekstragrebene eller motorhuset med den anden hånd.** Holdes saven med begge hænder, kan disse ikke kvæstes af savklingen.
- b) **Stik ikke hånden ind under arbejdsemnet.** Skærmen kan ikke beskytte Dem mod savklingen neden under arbejdsemnet.
- c) **Justerer dybdeindstillingen efter arbejdsstykket.** Mindre end en hel tand på saveklingen skal være synlig på undersiden af arbejdsstykket.
- d) **Hold aldrig det emne, der skal saves i, i hånden eller hen over benet. Sikre emnet på en stabil holder.** Det er vigtigt at fastgøre emnet godt for at minimere fare for kropskontakt, klemning af savkling eller tab af kontrol.
- e) **Hold elværktøjet i de isolerede greb, da skærebladene kan komme til at røre ved en skjult ledning eller sin egen ledning** (hvis skærebladene rører ved en strømførende ledning, kan udsatte metaldele på elværktøjet blive strømførende og give betjeningspersonen elektrisk stød)
- f) **Når De saver på langs ad årene, skal De altid bruge et sidestyrt eller et lige stykke træ som styr.** Det giver større præcision og nedsætter risikoen for at savklingen sætter sig fast.
- g) **Anvend altid savklinger i den rigtige størrelse og med passende boring (f.eks. stjerneformet eller rund).** Savklinger, der ikke passer til savens monteringsdele, løber ikke rundt, hvorved du taber kontrollen.
- h) **Anvend aldrig beskadigede eller forkerte savklingeskiver eller -bolte.** Savklingeskiver og -bolte er specielt konstrueret til Deres sav for optimal præstation og sikker anvendelse.
- 2) TILBAGESLAG - ÅRSAGER OG TILSVARENDE ADVARSLER**
- Tilbageslag er en pludselig reaktion på en fastklemt, blokeret eller forkert indstillet savklinge, som får saven til at løfte sig op og ud af arbejdsemnet mod brugeren
  - Når savklingen er fastklemt eller blokeret, fordi savsnittet lukker sig, går savklingen i stå og motorreaktionen driver hurtigt saven tilbage mod brugeren

- Hvis savklingen bliver skæv eller forkert rettet ind i savsnittet, kan tænderne på savklingens bagkant trænge ned i træets overflade, hvilket får savklingen til at komme ud af savsnittet og blive kastet tilbage mod brugeren
- Et tilbageslag skyldes forkert eller fejlbehæftet brug af el-værktøjet. Det kan forhindres ved at træffe egnede forsigtighedsforanstaltninger, der beskrives i det følgende.

- Hold godt fast i saven med begge hænder og anbring armene således, at De kan modstå tilbageslagskræfterne. Stå med kroppen ved siden af savklingen, ikke på linje med savklingen.** Tilbageslag kan bevirke, at saven kastes tilbage, men hvis der træffes de korrekte forholdsregler, kan brugeren klare tilbageslagskræfterne.
- Hvis savklingen sætter sig fast eller når savearbejdet af en eller anden grund afbrydes, skal afbryderen slippes og saven holdes ubevægelig i materialet, indtil savklingen står fuldstændigt stille. Forsøg aldrig at fjerne saven fra arbejdsemnet eller at trække saven baglæns, mens savklingen er i bevægelse, da der ellers kan opstå tilbageslag.** Find årsagen til at savklingen har sat sig fast og ret fejlen. Pas på ikke at save i som eller skruer.
- Når saven startes i arbejdsemnet igen, anbring savklingen midt i savsnittet og sørg for at savtænderne ikke griber ind i arbejdsemnet.** Hvis savklingen sætter sig fast, kan den bevæge sig opad eller blive kastet tilbage fra arbejdsemnet, når saven startes igen.
- Understøt store arbejdsemner for at minimere risikoen for at savklingen klemmes fast og slås tilbage.** Store arbejdsemner har en tendens til at synke ned på midten under deres egen vægt, så der skal placeres understøtninger under arbejdsemnet i begge sider, tæt på snittet og i nærheden af emnets kant.
- Anvend aldrig en sløv eller beskadiget savklinge.** Uskarpe eller forkert indstillede savklinger giver smalle snit, som forårsager stor friktion, får savklingen til at sætte sig fast og giver tilbageslag.
- Klingedybde- og smigskæringslåsehåndtag skal være stramme og sidde godt fast, før De begynder at save.** Hvis savklingens indstilling ændrer sig under savningen, kan det bevirke, at savklingen sætter sig fast og giver tilbageslag.
- Vær særlig forsigtig, når der saves i bestående vægge eller andre områder, hvor man ikke har direkte indblik.** Den neddykkende savklinge kan blokere i forbindelse med savning i skjulte genstande, hvilket kan føre til et tilbageslag.

#### 1) FUNKTION AF DEN UNDERSKÆRM

- Inden hver ibrugtagning skal De kontrollere, at underskærmen lukker rigtigt. Hvis underskærmen ikke kan bevæge sig frit og lukker omgående, må saven ikke anvendes. Fastsæænd eller bloker aldrig underskærmen i åben stilling.** Hvis saven ved et uheld tabes, kan underskærmen blive bøjet. Træk stikket ud af kontakten, hæv underskærmen med håndtaget og sørg for at den kan bevæge sig frit og ikke berører savklingen eller andre dele, i alle vinkler og saveedybder.
- Kontrollér funktionen af underskærmens fjeder. Hvis skærmen og fjederen ikke fungerer korrekt, skal de repareres før brug.** Underskærmen kan fungere trægt

på grund af beskadigede dele, klæbrige aflejringer eller ophobning af snavs.

- Underskærmen må kun hæves manuelt ved speciel savning f.eks. dyksavning og savning i sammensatte materialer. Hæv underskærmen ved hjælp af håndtaget, og så snart savklingen berører arbejdsemnet, skal underskærmen udløses.** Ved al anden savning skal underskærmen fungere automatisk.
- Sørg altid for at underskærmen dækker savklingen, før saven lægges ned på arbejdsbænken eller gulvet.** En ubeskyttet savklinge, som kører i tomgang, vil få saven til at bevæge sig baglæns og save i alt, der kommer i vejen for den. Vær opmærksom på, at det tager lidt tid, før savklingen stopper, efter kontakten slippes.

#### EKSTRA SIKKERHEDSFORSKRIFTER

- Indkoblingsstrømstødet kan forårsage kortfristede spændingsfald; under ugunstige netbetingelser kan andre apparater blive påvirket heraf (hvis strømtilførselns systemimpedans er mindre end 0,468 Ohm, er det usandsynligt, at der opstår ulemper); ønsker de yderligere afklaring, kontakt venligst din lokale el leverandør

#### GENERELT

- Dette værktøj må ikke bruges af personer under 16 år
- Dette værktøj er ikke egnet til vandsavning
- **Fjern altid først stikket fra kontakten, før De foretager nogle ændringer eller skifter tilbehør**
- Anvend aldrig værktøjet, hvis ledningen er beskadiget. Den skal udskiftes med en specielt forberedt ledning, der kan fås gennem kundeservice.
- **Bearbejd ikke asbestholdigt materiale** (asbest er kræftfremkaldende)
- Støv fra materiale som f.eks. maling, der indeholder bly, nogle træsorter, mineraler og metal kan være skadeligt (kontakt med eller indånding af støvet kan forårsage allergiske reaktioner og/eller sygdomme i luftvejene hos den, der anvender værktøjet, eller hos omkringstående); **bær en støvmaske og arbejd med en støvudsugningsanordning, hvor en sådan kan slutes til**
- Visse slags støv er klassificeret som kræftfremkaldende (som f.eks. støv fra eg og bøg) især i forbindelse med tilsætningsstoffer til træbehandling; **bær en støvmaske og arbejd med en støvudsugningsanordning, hvor en sådan kan slutes til**
- Følg de nationale krav, hvad angår støv, for de materialer, du ønsker at arbejde med
- Anvend kun et savbord udstyret med en sikkerhedskontakt, som forhindrer re-start af motoren, efter en spændingsafbrydelse
- Anvend kun et savbord udstyret med en spaltekniv

#### TILBEHØR

- SKIL kan kun sikre en korrekt funktion af værktøjet, hvis der benyttes originalt tilbehør
- Brug kun savklinger, der svarer til de tekniske data, der er angivet i denne vejledning, og som er kontrolleret og mærket tilsvarende iht. EN 847-1
- Der må kun benyttes tilbehør, hvis godkendte omdrejningstal er mindst så højt som værktøjets max. omdrejningstal i ubelastet tilstand
- Brug kun savklinger med en min. diameter på 184 mm, en maks. diameter på 184 mm og et spindelhul på 16 mm (5820)

- Brug kun savklinger med en min. diameter på 190 mm, en maks. diameter på 190 mm og et spindelhul på 16 mm (**5830**)
- Brug aldrig savklinger der er lavet af HSS stål
- Anvend aldrig slibe/skæreskiver til dette værktøj

#### INDEN BRUG

- Kontrollér altid at forsyningsspændingen er den samme som den spænding, der er anført på værktøjets navneskilt
- Undgå skader forårsaget af skruer, søm eller andre materialer i arbejdsstykket; fjern disse før De begynder at arbejde
- Fjern alle genstande såvel ovenpå som nedenunder savlinien, før De begynder at save
- **Fastgør emnet** (det er sikrere at holde emner i en fastgøringsanordning eller skruestik end med hånden)
- **Anvend egnede søgeinstrumenter til at finde frem til skjulte forsyningsledninger eller kontakt det lokale forsyningselskab** (kontakt med elektriske ledninger kan føre til brand og elektrisk stød; beskadigelse af en gasledning kan føre til eksplosion; brud på et vandrør kan føre til materiel skade eller elektrisk stød)
- Anvend helt udrullede og sikre forlængerledninger med en kapacitet på 16 A

#### UNDER BRUG

- Under arbejde med værktøjet kan lydniveauet overstige 85 dB(A); brug høreværn
- Brug aldrig værktøjet uden den originale beskyttelsesskærm
- Forsøg ikke at save ekstremt små arbejdsstykker
- Arbejd ikke med værktøjet over hovedet
- I tilfælde af blokering eller ved elektrisk eller mekanisk fejlfunktion, afbryd straks værktøjet og tag stikket ud af kontakten
- Hvis kablet beskadiges eller skæres over under arbejdet, ikke berør kablet, og straks træk ud stikket

#### EFTER BRUG

- Efter endt arbejde skal afbryderen afbrydes og alle bevægelige dele være stoppet før værktøjet sættes til side
- Efter afbrydelse af rundsaven, så stop aldrig rotationen af savklingen ved et pres fra siden

#### FORKLARING TIL SYMBOLERNE PÅ VÆRKTØJET

- ③ Læs instruktionen inden brugen
- ④ Dobbelt isolering (jordforbindelse unødvendig)
- ⑤ Værktøj må ikke bortskaffes som almindeligt affald

## BETJENING

- Montering af savklinge ②
  - ! **træk stikket ud af kontakten**
  - tag bladnøglen T ud af opbevaringspladsen V
  - tryk på spindellåseknappen C og hold den nede, medens De fjerner klingebolten D med bladnøgle T
  - ! **tryk kun på spindellåseknappen C, når værktøjet ikke bevæger sig**
  - udløs spindellåseknappen C
  - fjern flangen E
  - ! **sørg for at flangernes fastspændingsflader H er helt rene og vender mod klingen**
  - åbn underskærmen F med tappen G og hold den fast, medens De monterer savklingen med savtænderne og pilen trykt på savklingen pegende i samme retning som pilen på overskærmen

- udløs underskærmen F
- monter flangen E
- tryk på spindellåseknappen C og hold den nede, medens De spænder klingebolten med bladnøglen 1/8 omgang fingerstramt (sikrer at savklingen kan glide, når den udsættes for ekstrem modstand for at reducere motoroverbelastning og savbagslag)
- udløs spindellåseknappen C

- Indstilling af savdyben ⑥
  - for at opnå et perfekt kvalitetsnit bør savklingen ikke rage mere end 3 mm nedenfor arbejdsområdet
  - løsn knappen J
  - løft/sænk foden K indtil den ønskede savdybde fremkommer på skalaen ved at anvende indikatoren L
  - spænd knappen J
- Indstilling af savvinklen (0-50°) ⑦
  - løsn knappen M
  - tip værktøjet indtil den ønskede savvinkel fremkommer på skalaen ved at anvende indikatoren N
  - spænd knappen M

#### ! **smigskæring, vil savdybden ikke svare til den angivne værdi på savdybdeskalaen**

- Check at savvinklen er 90° ⑦
  - justér og spænd foden K til maksimal savdybde ⑥
  - justér og spænd savvinklen på 0°
  - kontrollér at der er en 90° vinkel mellem savklinge og undersiden af foden med en vinkel
  - hvis justeringen er nødvendig, løsn knappen M og brug stillekruen P som vist
- Indstilleligt savelinjevisir Q ⑧
  - for præcis savning langs den ønskede savelinjen markeret på arbejdsområdet
  - for lige savning i 0° eller 45° smigskæring, anvend da den pågældende indikatorlinje

#### ! **den bredeste del af foden bør hvile på den del af arbejdsområdet som har støtte**

- kan indstilles efter forskellige savbladebredder. Det kan imidlertid forekomme, at den ene side af savklingen ikke justeres. Vælg derefter, om affaldsmaterialet er på klingens indvendige eller udvendige side ⑧

#### ! **savbredden er afhængig af bredden på savtænderne og ikke af selve klingens**

#### ! **udfør altid et prøve snit, for at kontrollere den aktuelle savlinje**

- Støvsugning
  - monter støvsuger til forlængerstykket Y ⑨
  - ! **lad aldrig støvsugerlangen komme i kontakt med underskærmen eller savningen**
- Betjening af værktøjet ⑨
  - sæt stikket i kontakten
  - hold altid håndtaget R fast med den ene hånd og håndtaget S med den anden hånd
  - placer værktøjet med forenden af fodenden fladt imod arbejdsområdet
  - ! **sørg for at savtænderne ikke griber ind i arbejdsområdet**
  - start Deres værktøj ved først at trykke knappen B (= sikkerhedsafbryder, som ikke kan låses) ind og derefter træk på afbryder A
  - ! **værktøjet skal køre med max. hastighed inden savklingen berører arbejdsområdet**
  - underskærmen F åbnes automatisk når savklingen

berører arbejdsemnet (hæv kun skærmen manuelt ved hjælp af tappen G ved speciel savning f.eks. dyksavning)

**! overbelast ikke værktøjet (anvend et let og vedvarende tryk for at undgå overophedning af savklinger og, i tilfælde af skæring af plastik, at smelte plastikmaterialet)**

**! under arbejde, hold altid om værktøjet på de grå markerede grebsområde(r)**

- når De er færdig med savningen, sluk værktøjet ved at slippe afbryderen A

**! vær sikker på, at savklingen står fuldstændigt stille, før De løfter værktøjet væk fra arbejdsemnet**

## GODE RÅD

- Læg altid den pæneste side af arbejdsemnet nedad for at minimere splитning
- Brug kun skarpe savklinger af den korrekte type ⑩
  - kvaliteten af snittet forøges med antallet af tænder
  - hårdmetalsavklinger holder skæret op til 30 gange længere end alm. klinger
- Sidedstyr Z ⑪
  - til præcise snit langs kanten af arbejdsemnet
  - kan sættes ind på begge sider af fodenJustering af sidedstyret
  - løsn knappen AA
  - justér til den ønskede savbredde ved hjælp af skalaen på sidedstyret (brug savelinjevisir Q som 0-reference)
  - spænd knappen AA
- Dyksavning ⑫
  - indstil den ønskede savdybde
  - vip værktøjet fremad med savelinjevisir Q på linje med den ønskede savelinje markeret på arbejdsemnet
  - åbn underskærmen F med tappen G
  - lige inden klingens berører arbejdsemnet, start værktøjet og sænk gradvist bagparten af værktøjet ved at benytte forenden af foden som støttepunkt
  - bevæg værktøjet gradvist nedad og samtidigt fremover
  - så snart savklingen berører arbejdsemnet, løs tappen G**! før aldrig værktøjet bagover**
- Savning af store emner ⑬
  - støt emnet tæt på snittet, enten på gulvet, bordet eller arbejdsbænken**! indstil savdybden således at De saver gennem emnet og ikke gennem det som støtter emnet**
  - hvis sidedstyret ikke er langt nok til den ønskede savbredde, så fastgør et lige stykke træ som styr og før højre side af foden imod dette styr

## VEDLIGEHOLDELSE/SERVICE

- Dette værktøj er ikke beregnet til professionelt brug
- Hold værktøjet og ledningen ren (især ventilationshullerne AB)  
**! træk stikket ud før rensning**
- Hold altid området omkring den nederste afskærmning F ② rent (fjern støv og spåner ved at blæse det ud med trykluft eller med en børste)
- Rengør savklingen straks efter brug (specielt for harpiks og lim)

- Skulle elværktøjet trods omhyggelig fabrikation og kontrol skulle holde op med at fungere, skal reparationen udføres af et autoriseret serviceværksted for SKIL-elektroværktøj
  - send det **ikke adskilte** værktøj sammen med et købsbevis til forhandleren eller nærmeste SKIL-serviceværksted (adresser og reservedelstegning af værktøjet findes på [www.skil.com](http://www.skil.com))
- Husk, at beskædigelse som følge af overbelastning eller forkert håndtering af værktøjet ikke er omfattet af garantien (se [www.skil.com](http://www.skil.com) vedrørende SKIL-garantibetingelserne, eller spørg din forhandler)

## MILJØ

- **Elværktøj, tilbehør og emballage må ikke bortskaffes som almindeligt affald** (kun for EU-lande)
  - i henhold til det europæiske direktiv 2012/19/EF om bortskaffelse af elektriske og elektroniske produkter og gældende national lovgivning, skal brugt elværktøj indsamles separat og bortskaffes på en måde, der skåner miljøet mest muligt
  - symbolet ⑤ erindr dig om dette, når udskiftning er nødvendig

## STØJ / VIBRATION

- Målt i henhold til EN 62841 er lydtryksniveauet for dette værktøj 97,0 dB(A) og lydeffektniveauet 108,0 dB(A) (usikkerhed K = 3 dB), og vibrationen \* (triax vector sum; usikkerhed K = 1.5 m/s<sup>2</sup>)
  - \* savning af træ 4,0 m/s<sup>2</sup>
  - \* savning af metal 2,8 m/s<sup>2</sup>
- Vibrationsniveauet er målt i henhold til den standardiserede test som anført i EN 62841. Det kan benyttes til at sammenligne to stykker værktøj og som en foreløbig bedømmelse af udsættelsen for vibrationer, når værktøjet anvendes til de nævnte form
  - anvendes værktøjet til andre formål eller med andet eller dårligt vedligehold tilbehør, kan dette **øge** udsættelsesniveauet betydeligt
  - de tidsrum, hvor værktøjet er slukket, eller hvor det kører uden reelt at udføre noget arbejde, kan **reducere** udsættelsesniveauet betydeligt**! beskyt dig selv imod virkningerne af vibrationer ved at vedligeholde værktøjet og dets tilbehør, ved at holde dine hænder varme og ved at organisere dine arbejdsmønstre**

N

Sirkelsag

5820/5830

## INTRODUKSJON

- Dette værktøjet er beregnet til å utføre langsgående og tværgående snitt med rett skjæring og gjæringsvinkel opp til 50° i tre; med tilsvarende sagblad kan det også sages ikke-jernholdige metaller, byggematerialer og kunststoff
- Dette værktøyet er ikke beregnet på profesjonell bruk
- Les og ta vare på denne brukerveiledningen ③

## TEKNISKE DATA ①

## VERKTØYELEMENTER <sup>②</sup>

- A Utløsningsbryter
- B Sikkerhetsbryter
- C Spindellåseknapp
- D Bladbolt
- E Flens
- F Underskjerm
- G Hendel til åpning av underskjerm
- H Oppspenningsflate
- J Knapp for innstilling av kuttedybde
- K Fotplate
- L Indikator for kuttedybde
- M Knapp for justering av kuttevinkel
- N Indikator for kuttevinkel
- P Skrue for å justere bladets 90° endestoppet
- Q Saglinjevisir
- R Bakerste håndtak
- S Fremste håndtak
- T Bladnøkkel
- V Oppbevaring for bladnøkkel
- W Sponutkast
- Y Støvsugeradapter
- Z Sidestiller
- AA Knott for justering av sidestiller
- AB Ventilasjonsåpning

## SIKKERHET

### GENERELLE ADVARSLER FOR ELEKTROVERKTØY

**⚠ ADVARSEL** Les alle sikkerhetsadvarsler, instruksjoner, illustrasjoner og spesifikasjoner som følger med dette elektroverktøyet. Hvis du unnlater å følge noen av instruksjonene som er listet opp ovenfor, kan det føre til elektrisk støt, brann og/eller alvorlige personskader.

### Ta godt vare på alle advarslene og informasjonene.

Det nedenstående anvendte uttrykket "elektroverktøy" gjelder for strømledninger (med ledning) og batteridrevne elektroverktøy (uten ledning).

#### 1) SIKKERHET PÅ ARBEIDSPLASSEN

- a) **Hold arbeidsområdet rent og ryddig.** Rotete arbeidsområder eller arbeidsområder uten lys kan føre til ulykker.
- b) **Ikke arbeid med elektroverktøyet i eksplosjonsfarlige atmosfærer – der det befinner seg brennbare væsker, gass eller støv.** Elektroverktøyet lager gnister som kan antenne støv eller damper.
- c) **Hold barn og andre personer unna når elektroverktøyet brukes.** Hvis du blir forstyrret under arbeidet, kan du miste kontrollen over elektroverktøyet.

#### 2) ELEKTRISK SIKKERHET

- a) **Støpselet til elektroverktøyet må passe inn i stikkkontakten. Støpselet må ikke forandres på noen som helst måte. Ikke bruk adapterstøpsler sammen med jordede maskiner.** Bruk av støpsler som ikke er forandret på og passende stikkontakter reduserer risikoen for elektriske støt.
- b) **Unngå kroppskontakt med jordede overflater slik**

**som rør, ovner, komfyrer og kjøleskap.** Det er større fare ved elektriske støt hvis kroppen din er jordet.

- c) **Hold elektroverktøyet unna regn eller fuktighet.** Dersom det kommer vann i et elektroverktøy, øker risikoen for elektriske støt.
- d) **Ikke bruk ledningen til andre formål, f.eks. til å bære elektroverktøyet, henge den opp eller trekke den ut av stikkkontakten. Hold ledningen unna varme, olje, skarpe kanter eller maskindeler som beveger seg.** Med skadede eller opphopede ledninger øker risikoen for elektriske støt.
- e) **Når du arbeider utendørs med et elektroverktøy, må du kun bruke en skjøteledning som er godkjent til utendørs bruk.** Når du bruker en skjøteledning som er egnet for utendørs bruk, reduseres risikoen for elektriske støt.
- f) **Hvis det ikke kan unngås å bruke elektroverktøyet i fuktige omgivelser, må du bruke en jordfeilbryter.** Bruk av en jordfeilbryter reduserer risikoen for elektriske støt.

#### 3) PERSONSIKKERHET

- a) **Vær oppmerksom, pass på hva du gjør, gå fornuftig frem når du arbeider med et elektroverktøy. Ikke bruk elektroverktøyet når du er trett eller er påvirket av narkotika, alkohol eller medikamenter.** Et øyeblikks uoppmerksomhet ved bruk av elektroverktøyet kan føre til alvorlige skader.
  - b) **Bruk personlig verneutstyr og husk alltid å bruke vernebriller.** Bruk av personlig sikkerhetsutstyr som støvmaske, sklifaste arbeidssko, hjelm eller hørselvern – avhengig av type og bruk av elektroverktøyet – reduserer risikoen for skader.
  - c) **Unngå å starte verktøyet ved en feiltagelse. Forviss deg om at elektroverktøyet er slått av før du kobler det til strømmen og/eller batteriet, løfter det opp eller bærer det.** Hvis du holder fingeren på bryteren når du bærer elektroverktøyet eller kobler elektroverktøyet til strømmen i innkoblet tilstand, kan dette føre til uhell.
  - d) **Fjern innstillingsverktøy eller skrunøkler før du slår på elektroverktøyet.** Et verktøy eller en nøkkel som befinner seg i en roterende maskindel, kan føre til skader.
  - e) **Ikke overvurder deg selv. Sørg for å stå stødig og i balanse.** Dermed kan du kontrollere elektroverktøyet bedre i uventede situasjoner.
  - f) **Bruk alltid egnede klær. Ikke bruk vide klær eller smykker. Hold hår og klær unna deler som beveger seg.** Løst sittende tøy, smykker eller langt hår kan komme inn i deler som beveger seg.
  - g) **Hvis det kan monteres støvavsug- og oppsamlingsinnretninger, må du forvise deg om at disse er tilkoblet og brukes på korrekt måte.** Bruk av et støvavsug reduserer faren på grunn av støv.
  - h) **Selv når du er blitt vant til verktøyet, må du ikke bli sløv og ignorere sikkerhetsreglene for verktøyet.** En uforutsiktlig handling kan forårsake alvorlig personskade i løpet av et brøkdels sekund.
- #### 4) AKTSOM HÅNDTERING OG BRUK AV ELEKTROVERKTØY
- a) **Ikke overbelast elektroverktøyet. Bruk et elektroverktøy som er beregnet til den type arbeid du vil utføre.** Med et passende elektroverktøy arbeider du bedre og sikrere i det angitte effektområdet.
  - b) **Ikke bruk elektroverktøy med defekt på-/avbryter.**



Et elektroverktøy som ikke lenger kan slås av eller på, er farlig og må repareres.

- c) **Trekk støpselet ut av stikkkontakten og/eller fjern batteriet (hvis demonterbart) før du utfører innstillinger på elektroverktøyet, skifter tilbehørsdeler eller legger elektroverktøyet bort.** Disse tiltakene forhindrer en utilsiktet startung av elektroverktøyet.
  - d) **Elektroverktøy som ikke er i bruk må oppbevares utilgjengelig for barn. Ikke la elektroverktøyet brukes av personer som ikke er fortrolig med dette eller ikke har lest disse anvisningene.** Elektroverktøy er farlige når de brukes av uerfarne personer.
  - e) **Vær nøye med vedlikeholdet av elektroverktøyet og tilbehøret. Kontroller om bevegelige maskindeler fungerer feilfritt og ikke klemmes fast, og om deler er brukt eller skadet, slik at dette innvirker på elektroverktøyet funksjon. La skadede deler repareres før elektroverktøyet brukes.** Dårlig vedlikeholdte elektroverktøy er årsaken til mange uhell.
  - f) **Hold skjæreverktøyene skarpe og rene.** Godt stelte skjæreverktøy med skarpe skjær setter seg ikke så ofte fast og er lettere å føre.
  - g) **Bruk elektroverktøy, tilbehør, verktøy osv. i henhold til disse anvisningene. Ta hensyn til arbeidsforholdene og arbeidet som skal utføres.** Bruk av elektroverktøy til andre formål enn det som er angitt kan føre til farlige situasjoner.
  - h) **Hold håndtak og gripeflater tørre, rene og uten olje eller fett.** Glatte håndtak og gripeflater hindrer sikker håndtering og styring av verktøyet i uventede situasjoner.
- 5) SERVICE**
- a) **Maskinen din skal alltid kun repareres av kvalifisert fagpersonale og kun med originale reservedeler.** Slik opprettholdes elektroverktøyet sikkerhet.

## SIKKERHETSADVARSLER FOR SIRKELSAGER

### 1) SAGPROSEDYRE

- a) **FARE: Pass på at hendene ikke kommer inn i sagramrådet og opp i sagbladet. Hold ekstrahåndtaket eller motorhuset fast med den andre hånden.** Når begge hendene holder sagen, kan sagbladet ikke skade hendene.
- b) **Ikke strekk hånden under arbeidsstykket.** Skjermen kan ikke beskytte deg mot bladet under arbeidsstykket.
- c) **Justér dybeinnstillingen etter arbeidsstykket.** Halvparten av den nederste tannen på sagbladet skal være synlig på undersiden av arbeidsstykket.
- d) **Hold aldri arbeidsstykket som skal sages fast med hånden eller over benet. Du må sikre arbeidsstykket på et stabilt feste.** Det er viktig å feste arbeidsstykket godt for å minimere faren ved kroppskontakt, fastklemming av sagbladet eller hvis du mister kontrollen.
- e) **Ta kun tak i elektroverktøyet på de isolerte gripeflatene, for knivene kan komme i berøring med skjulte ledninger eller egen ledning (hvis en strømførende ledning kuttet, kan metalldele på elektroverktøyet bli strømførende og brukeren kan få elektrisk støt).**
- f) **Når du sager på langs, må du alltid bruke sidestiller eller anviser for rett kant.** Det øker nøyaktigheten på sagguttet og reduserer risikoen for at bladet skal sette

seg fast.

- g) **Bruk alltid sagblad med rett størrelse og med passende feste hull (f.eks. stjerneformet eller rund).** Sagblad som ikke passer sammen med sagens montasjedeler, går eksentrisk og fører til tap av kontrollen.
  - h) **Bruk alltid bladskiver eller bolter som er skadet eller av feil type.** Bladskivene og boltene er laget spesielt for sagen, for å gi optimal ytelse og sikkerhet under bruk.
- 2) TILBAKESLAG - ÅRSAKER OG TILSVARENDE ADVARSLER**
- Tilbakeslag er en plutselig reaksjon på at sagbladet er klemt fast, sitter fast, eller er forskjøvet, slik at sagen er ute av kontroll og løfter seg opp og ut av arbeidsstykket og beveger seg mot operatøren
  - Når bladet er i klemme eller sitter helt fast fordi spaltekniven stenger, vil bladet kjøre seg fast og motoren reagerer ved å kjøre verktøyet i stor fart bakover mot operatøren
  - Hvis bladet blir vridd eller skjøvt i kuttet, kan tennene på bakkanten av bladet grave seg ned i overflaten på trestykket slik at bladet kommer ut av spaltekniven og hopper bakover mot operatøren
  - Et tilbakeslag er resultat av en gal eller feilaktig bruk av elektroverktøyet. Det kan unngås ved å følge egnede sikkerhetstiltak som beskrevet nedenstående.
- a) **Hold sagen støtt med begge hendene og hold armene slik at du kan stå i mot kraften av tilbakeslaget. Stå slik at kroppen kommer på den ene eller andre siden av bladet, og ikke på linje med bladet.** Tilbakeslag kan få sagen til å hoppe bakover, men kraften i tilbakeslaget kan styres av operatøren, dersom du tar skikkelige forholdsregler.
  - b) **Når bladet kjører seg fast, eller når du av en eller annen grunn avbryter sagingen, frigjør bryteren og hold sagen helt stille i arbeidsstykket til bladet slutter helt å gå rundt. Forsøk aldri å trekke sagen ut av arbeidsstykket eller trekke sagen bakover mens bladet ennå roterer, eller kan det forårsake tilbakeslag.** Undersøk hvorfor bladet har kjørt seg fast og fjern årsaken til det. Unngå å skjære over nagler eller skruer.
  - c) **Når du starter sagen igjen i arbeidsstykket, sett sagbladet midt i spaltekniven og kontroller at sagtennene ikke biter inn i materialet.** Hvis sagbladet sitter fast, kan det bevege seg oppover eller slå tilbake fra arbeidsstykket i det sagen startes på nytt.
  - d) **Støtt større paneler for å redusere risikoen for tilbakeslag eller at bladet blir klemt fast.** Store paneler har en tendens til å bøye seg under sin egen vekt. Det er nødvendig å sette støtter under panelet på begge sider, like ved skjærelinjen og nær kanten av panelet.
  - e) **Ikke bruk et sagblad som er sløvt eller skadet.** Blad som er sløve eller ikke skikkelig justert, kan gi smal spaltekniv som forårsaker for mye friksjon, samt tilbakeslag og tendens til at bladet setter seg fast.
  - f) **Bladdybde og låsespaker for skråsaging må trekkes godt til og være støe før man begynner kuttet.** Hvis bladjusteringen endrer seg under sagingen, kan det forårsake tilbakeslag eller at bladet setter seg fast.
  - g) **Vær spesielt forsiktig ved saging i vegger eller andre uoversiktlige områder.** Det innstikkende

sagbladet kan blokkere ved saging i skjulte objekter og forårsake et tilbakeslag.

#### 1) FUNKSJONER FOR UNDERSKJERM

- a) **Kontroller at underskjermen er låst hver gang du bruker sagen. Ikke bruk sagen hvis underskjermen ikke beveger seg fritt og låses øyeblikkelig. Du må aldri klemme eller feste underskjermen slik at den holdes i åpen stilling.** Hvis du ved et uhell slipper sagen i golvet, kan underskjermen bli bøyd. Trekk ut støpslet av stikkkontakten, rett ut underskjermen med tilbaketrekkingshåndtaket og se til at den beveger seg fritt og ikke berører bladet eller noen annen del, uansett vinkel og skjæredybde.
- b) **Kontroller at underskjermfjæren virker som den skal. Hvis skjermen og fjæren ikke virker som de skal, må de leveres til service før de brukes igjen.** Underskjermen kan bevege seg tregt p.g.a. deler som er skadet, seigt belegg, eller smussansamling.
- c) **Underskjermen skal bare trekkes tilbake for hånd for spesialarbeid som spaltekutt og sammensatte kutt. Hev underskjermen ved å trekke tilbake spaken, men så snart bladet går inn i arbeidsstykket, må underskjermen slippes.** For all annen saging, skal du la underskjermen virke automatisk.
- d) **Pass alltid på at underskjermen dekker bladet før du legger fra deg sagen på en benk eller på golvet.** Et ubeskyttet blad som ennå går rundt vil få sagen til å gå bakover og kutte alt som ligger i veien. Du bør vite hvor lang tid det tar før bladet stopper etter at bryteren er slått av.

#### EKSTRA SIKKERHETSADVARSLER

- Innkoblinger fører til korte spenningsreduksjoner; ved ugunstige nettvilkår kan det oppstå forstyrrelser på andre apparater (ved nettimpedanser på mindre enn 0,468 Ohm forventes det ingen forstyrrelser); hvis De ønsker ytterligere klargjørelse, kontakt vennligst din lokale el leverandør myndighet

#### GENERELL

- Verktøyet må ikke brukes av personer under 16 år
- Dette verktøyet er ikke beregnet for vannsaging
- **Ta alltid ut kontakten før du forandrer innstillinger på sagen eller skifter tilbehør**
- Verktøyet skal aldri brukes hvis ledningen er skadet. Det må byttes ut med en spesialledning tilgjengelig via serviceavdelingen.
- **Ikke bearbeid asbestholdig material** (asbest kan fremkalle kreft)
- Støv fra materialer som blyholdig maling, visse tresorter, mineraler og metall kan være skadelig (kontakt med eller inhalering av støv kan gi allergiske reaksjoner og/eller sykdommer i åndedretsorganene for brukeren eller personer i nærheten); **bruk støvmaske og arbeid med støvfjerningsutstyr når det er mulig**
- Visse typer støv er klassifisert som kreftfremkallende (som f.eks. støv fra eik og bøk), spesielt sammen med tilsetningsstoffer for trebehandling; **bruk støvmaske og arbeid med støvfjerningsutstyr når det er mulig**
- Følg de nasjonale krav, når det gjelder støv for de materialer du ønsker å arbeide med
- Bruk kun et sagbord med en bryter som hindrer re-start av motoren ved spenningsavbrudd
- Bruk kun et sagbord med en spaltekni

#### TILBEHØR

- SKIL kan kun garantere et feilfritt verktøy dersom originaltilbehør brukes
- Bruk kun sagblad som tilsvarer de tekniske dataene som er angitt i denne bruksanvisningen og som er kontrollert jf. EN 847-1 og tilsvarende markert
- Bruk kun tilbehør med et godkjent turtall som er minst like høyt som verktøyets høyeste tomgangsturtall
- Bruk kun sagblader med minimum diameter på 184 mm, maksimum diameter på 184 mm, og spindelhull på 16 mm (**5820**)
- Bruk kun sagblader med minimum diameter på 190 mm, maksimum diameter på 190 mm, og spindelhull på 16 mm (**5830**)
- Bruk aldri sagblader av HSS (stål)
- Bruk aldri slipe-/kappeskiver til dette verktøyet

#### FØR BRUK

- Sjekk alltid at tilført spenningen er den samme som oppgitt på verktøyets merkeplate
- Unngå skade pga. skruer, spiker eller andre elementer i arbeidsstykket; fjernes før man starter jobben
- Rydd unna alle hindringer i arbeidsområdet før du begynner å sage
- **Sett fast arbeidsstykket** (et arbeidsstykke som er sikret med klemmer, sitter sikrere enn om det holdes fast for hånd)
- **Bruk egnede detektorer til å finne skjulte strøm-/gass-/vannledninger, eller spør hos det lokale el-/gass-/vannverket** (kontakt med elektriske ledninger kan medføre brann og elektrisk støt; skader på en gassledning kan føre til eksplosjon; inntrengning i en vannledning forårsaker materielle skader og kan medføre elektriske støt)
- Bruk helt utrullet og sikker skjoteledning med en kapasitet på 16 A

#### UNDER BRUK

- Støynivået under arbeid kan overskride 85 dB(A); bruk hørselvern
- Bruk aldri verktøyet uten det originale beskyttelsessystemet
- Ikke forsøk å kutte ekstremt små materialer
- Ikke før sagen over hodet
- Ved fastkjøring eller ved elektriske/mekaniske problemer, slå øyeblikkelig av bryteren og dra ut støpslet
- Hvis kabelen skades eller kappes under arbeid må kabelen ikke berøres, men støpslet straks trekkes ut

#### ETTER BRUK

- Når du setter bort verktøyet må bryteren slås av, bevegelige deler må være helt stoppet
- Etter at du har slått av sagen, må du aldri stoppe bladrotasjonen ved å føre en gjenstand mot bladet

#### FORKLARING AV SYMBOLER PÅ VERKTØY

- ③ Les instruksjonsboken for bruk
- ④ Dobbeltisolert (ikke nødvendig med jordingsleder)
- ⑤ Kast aldri verktøy i husholdningsavfallet

#### BRUK

- Montering av sagbladet ②
- **! trekk ut støpselet av stikkkontakten**
  - ta frem bladnøkkelen T fra oppbevaring V
  - trykk på spindelåsknappen C og hold den inne mens du fjerner bladbolten D med bladnøkkelen T
- **! vent med å trykke på spindelåsknappen C til verktøyet har stanset og er i ro**
  - slipp spindelåsknappen C

- fjern flensen E
- ! **pass på at oppspenningsflatene H og flensene er helt rene og vendt mot bladet**
- åpne underskjermen F med spaken G og holde den mens du monterer sagblad med sagtenner og pil som er trykt på sagbladet pekende i samme retning som pilen på overskjermen
- slipp underskjermen F
- monter flensen E
- trykk på spindellåsknappen C og hold den inne mens du strammer bladbolten med bladnøkkelen 1/8 omdreining mer enn trukket til for hånd (sikrer at sagbladet slipper hvis det møter for stor motstand og reduserer derfor overbelastning av motoren og tilbakeslag)
- slipp spindellåsknappen C
- Justering av kuttedyden ⑥
  - for optimal kvalitet på sagingen bør bladet ikke være mer enn 3 mm på undersiden av arbeidsstykket
  - løsne knott J
  - løft/senk fotplaten K inntil ønsket kuttedyde kommer til syne på skalaen ved å benytte indikatoren L
  - stram knott J
- Justering av kuttevinkel (0-50°) ⑦
  - løsne knott M
  - føre verktøyet til skrå inntil ønsket kuttevinkel kommer til syne på skalaen ved å benytte indikatoren N
  - stram knott M
- ! **ved skråsaging vil kuttedyden ikke korrespondere med verdien på kuttedydeskalaen**
- Sjekk av 90° kuttevinkel ⑦
  - juster og stram fotplaten K på maksimum kuttedyde ⑥
  - juster og stram kuttevinkel på 0°
  - mål 90° vinkel mellom bladet og bunnet av fotplaten med en vinkelhake
  - dersom justering er nødvendig, løsne knott M, og bruk justeringsskruen P som vist
- Justerbar saglinjevisir Q ⑧
  - for å føre verktøyet langs ønskede saglinjen, markert på arbeidsstykket
  - for rett saging ved 0° eller skråsaging ved 45° benytt den angående indikatorlinje
- ! **den vide delen av fotplaten bør hvile på den delen av arbeidsstykket som har støtte**
- kan justeres for å stilles på linje med forskjellige sagbladbredder, men det kan hende at ett av sagbladene ikke stilles på linje. Da skal du velge om avkuttet materiale er på inn- eller utsiden av bladet ③
- ! **luttebredden er avhengig av bredden på tennene på sagbladet og ikke selve bladet**
- ! **ta alltid et prøvekutt før start for å bekrefte utseende på kuttet**
- Støvsuging
  - tilkople støvsuger til adapter Y ⑨
  - ! **ikke la støvsugerslangen komme i kontakt med underskjermen eller selve kuttingen**
- Bruk av verktøyet ⑨
  - sett støpsel i stikkkontakten
  - hold alltid håndtaket R godt fast med den ene hånden og håndtaket S godt fast med den andre hånden
  - sett verktøyet på arbeidsstykket med forsiden av fotplaten flatt ned på arbeidsstykket

- ! **vær sikker på at sagtennene ikke fester seg i arbeidsstykket før start**
- slå på verktøyet ved først å trykke inn knapp B (= sikkerhetsbryter som ikke kan låses) og deretter trykk inn bryter A
- ! **verktøyet må ha nådd maks. hastighet før sagbladet kommer i kontakt med arbeidsstykket**
- underskjermen F åpnes automatisk når sagbladet kommer i kontakt med arbeidsstykket (åpne bare denne manuelt med spaken G for spesielle kutt som spaltekutt)
- ! **ikke bruk makt på verktøyet (før verktøyet lett og kontinuerlig for å unngå overoppheting av bladspissene, og ved kutting av plast, smelting av plattmaterialet)**
- ! **under arbeid, hold verktøyet alltid i grått (gråe) grepsområde(r)**
- etter å ha fullført sagingen, slå av verktøyet ved å frigjøre bryter A
- ! **forsikre deg om at bladet har stoppet helt før du løfter verktøyet fra arbeidsstykket**

## BRUKER TIPS

- Legg alltid den pene siden av arbeidsstykket ned for å forsikre deg om minimum splintering av materialet
- Bruk alltid skarpe sagblader av riktig type ⑩
  - kvaliteten på sagingen økes med antall tenner på sagbladet
  - hårdmetall-blader har 30 ganger lengre levetid enn vanlige blader
- Sidestiller Z ⑪
  - for å lage eksakte kutt langs arbeidsstykket
  - kan settes inn på begge sider av fotplaten
- Justering av sidestiller
  - løsne knott AA
  - juster til ønsket kuttebredde ved å benytte skalaen på sidestiller (bruk saglinjevisir Q som 0-referanse)
  - stram knott AA
- Spaltekutt ⑫
  - sett ønsket kuttedyde
  - føre verktøyet på skrå fremover med saglinjevisir Q på linje med ønsket saglinje markert på arbeidsstykket
  - åpne underskjermen F med spaken G
  - akkurat før bladet treffer arbeidsstykket, start verktøyet og gradvis senk bakparten av verktøyet ved å benytte fronten av fotplaten som støttepunkt
  - beveg verktøyet gradvis nedover og samtidig fremover - så snart bladet går inn i arbeidsstykket, løsne spaken G
- ! **ikke for verktøyet bakover**
- Kutte stor panel ⑬
  - støtt panelet nære kuttet enten på gulvet, bordet eller arbeidsbenken
- ! **sett kuttedyden slik at du kutter gjennom panelet og ikke gjennom det som støtter panelet**
- derom sidestiller ikke er lang nok for ønsket sagbredde, sett fast en rett planke på arbeidsstykket som styring og før høyre side av fotplaten mot denne styring

## VEDLIKEHOLD / SERVICE

- Dette verktøyet er ikke beregnet på profesjonell bruk
- Hold alltid verktøyet og kabelen ren (spesielt ventilasjonshullene AB)
- ! **dra ut støpselet før rengjøring**

- Hold alltid området rundt underskjermen F ② rent (fjern støv og spon ved å blåse ut med trykkluft eller bruk en kost)
- Rengjør sagblad straks etter bruk (spesielt for kvae og lim)
- Hvis elektroverktøyet til tross for omhyggelige produksjons- og kontrollmetoder en gang skulle svikte, må reparasjonen utføres av et autorisert serviceverksted for SKIL-elektroverktøy
  - send verktøyet i **montert** tilstand sammen med kjøpebevis til forhandleren eller nærmeste SKIL servicesenter (adresser liksom service diagram av verktøyet finner du på [www.skil.com](http://www.skil.com))
- Vær klar over at skade som skyldes overbelastning eller feilbehandling av verktøyet ikke dekkes av garantien (for SKIL garantibetingelser se [www.skil.com](http://www.skil.com) eller spør din forhandler)

## MILJØ

- **Kast aldri elektroverktøy, tilbehør og emballasje i husholdningsavfallet** (kun for EU-land)
  - i henhold til EU-direktiv 2012/19/EF om kasserte elektriske og elektroniske produkter og direktivets iverksetting i nasjonal rett, må elektroverktøy som ikke lenger skal brukes, samles separat og returneres til et miljøvennlig gjenvinningsanlegg
  - symbolet ⑤ er påtrykt som en påminnelse når utskiftning er nødvendig

## STØY / VIBRASJON

- Målt i samsvar med EN 62841, lydtrykksnivået til dette verktøyet er 97,0 dB(A) og lydeffektnivået er 108,0 dB(A) (usikkerhet K = 3 dB) og vibrasjonen \* (triaks vektorsum usikkerhet K = 1,5 m/s<sup>2</sup>)
  - \* saging av tre 4,0 m/s<sup>2</sup>
  - \* saging av metall 2,8 m/s<sup>2</sup>
- Vibrasjonsnivået er målt i samsvar med en standardisert test som er angitt i EN 62841; den kan brukes til å sammenligne et verktøy med et annet, og som et foreløpig overslag over eksponering for vibrasjoner ved bruk av verktøyet til de oppgavene som er nevnt
  - bruk av verktøyet til andre oppgaver, eller med annet eller mangelfullt vedlikeholdt utstyr, kan gi en vesentlig **økning** av eksponeringsnivået
  - tidsrommene når verktøyet er avslått eller når det går men ikke arbeider, kan gi en vesentlig **reduksjon** av eksponeringsnivået
- ! **beskytt deg selv mot virkningene av vibrasjoner ved å vedlikeholde verktøyet og utstyret, holde hendene varme og organisere arbeidsmåten din**

FIN

Käsiypörosaha

5820/5830

## ESITTELY

- Koneet on tarkoitettu pituus- ja poikittaissahauksiin puuhun kiinteällä alustalla, suoralla sahausjäljellä ja jirikulmalla 50° asti; vastaavia sahanterää käyttäen voidaan sahata myös ei-rautametalleja, kevytrakennusaineita ja muovia
- Tätä työkalua ei ole tarkoitettu ammattikäyttöön
- Lue ja säilytä tämä ohjekirja ③

## TEKNISET TIEDOT ①

### LAITTEEN OSAT ②

- A Kytkin
- B Turvakytkin
- C Karanlukituspainike
- D Teräpultti
- E Laippa
- F Alasuojus
- G Alasuojuksen avausvipu
- H Puristuspinna
- J Nuppi sahausvyöyden asettamiseksi
- K Jalkalevy
- L Sahaussyövyden osoitin
- M Sahauskulman säätönuppi
- N Sahauskulman osoitin
- P Ruuvi rajoittimen 90° säätämiseen
- Q Sahauslinjan osoitin
- R Takakahva
- S Etukahva
- T Teränavain
- V Ruuviavaimen säilytyspaikka
- W Lastunpoistoaukko
- Y Pölynimurin sovitiin
- Z Sivuohjain
- AA Sivuohjaimen säätönuppi
- AB Ilmanvaihto-aukot

## TURVALLISUUS

### YLEISET SÄHKÖTYÖKALUJEN TURVALLISUUTEEN LIITTYVÄT VAROITUKSET

**VAROITUS:** Pehedy kaikkiin tämän sähkötyökalun mukana toimitettuihin varoituksiin, ohjeisiin, kuviin ja teknisiin tietoihin. Jos kaikkia alla olevia ohjeita ei noudateta, seurauksena voi olla sähköisku, tulipalo ja/tai vakava loukkaantuminen.

**Säilytä kaikki turvallisuus- ja muut ohjeet tulevaisuutta varten.**

Turvallisuusohjeissa käytetty käsite "sähkötyökalu" käsittää verkkokäyttöisiä sähkötyökaluja (verkkojohtolla) ja akkukäyttöisiä sähkötyökaluja (ilman verkkojohtoa).

#### 1) TYÖPAIKAN TURVALLISUUS

- a) **Pidä työskentelyalue puhtaana ja hyvin valaistuna.** Työpaikan epäjärjestys tai valaisemattomat työalueet voivat johtaa tapaturmiin.
- b) **Älä työskentele sähkötyökalulla räjähdysalttiissa ympäristössä, jossa on palavaa nestettä, kaasua tai pölyä.** Sähkötyökalu muodostaa kipinöitä, jotka saattavat sytyttää pölyn tai höyryt.
- c) **Pidä lapset ja sivulliset loitolla sähkötyökalua käyttäessäsi.** Voit menettää laitteesi hallinnan, huomiosi suuntautuessa muualle.

#### 2) SÄHKÖTURVALLISUUS

- a) **Sähkötyökalun pistotulpan tulee sopia pistorasiaan. Pistotulppaa ei saa muuttaa millään tavalla. Älä käytä mitään pistorasia-adaptoreita maadoitettujen sähkötyökalujen kanssa.** Alkuperäisessä kunnossa

olevat pistotulpat ja sopivat pistorasiat vähentävät sähköiskun vaaraa.

- b) **Vältä koskettamasta maadoitettuja pintoja, kuten putkia, pattereita, liesiä tai jääkaappeja.** Sähköiskun vaara kasvaa, jos kehosi on maadoitettu.
- c) **Älä aseta sähkötyökäluä alttiiksi satellei tai kosteudelle.** Veden tunkeutuminen sähkötyökäluun sisään kasvattaa sähköiskun riskiä.
- d) **Älä käytä verkkojohtoa väärin. Älä käytä sitä sähkötyökäluun kantamiseen, vetämiseen tai pistotulpan irrottamiseen pistorasiasta. Pidä johto loitolla kuumuudesta, öljystä, terävistä reunoista ja liikkuvista osista.** Vahingoittuneet tai sotkeutuneet johdot kasvattavat sähköiskun vaaraa.
- e) **Käyttäessäsi sähkötyökäluä ulkona, käytä ainoastaan ulkokäyttöön soveltuvaa jatkojohtoa.** Ulkokäyttöön soveltuvan jatkojohdon käyttö pienentää sähköiskun vaaraa.
- f) **Jos sähkötyökäluun käyttö kosteassa ympäristössä ei ole vältettävissä, tulee käyttää maavuotokatkaisijaa.** Maavuotokatkaisijan käyttö vähentää sähköiskun vaaraa.

### 3) HENKILÖTURVALLISUUS

- a) **Ole valpas, kiinnitä huomiota työskentelyysi ja noudata tervettä järkeä sähkötyökäluä käyttäessäsi.** Älä käytä sähkötyökäluä, jos olet väsynyt tai huumeiden, alkoholin tahi lääkkeiden vaikutuksen alaisena. Hetken tarkkaavattomuus sähkötyökäluä käytettäessä, saattaa johtaa vakavaan loukkaantumiseen.
- b) **Käytä suojavarusteita. Käytä aina suojalaseja.** Henkilökohtaisen suojavarustuksen käyttö, kuten pölynaamarin, luistamattomien turvakengien, suojakypärän tai kuulonsuojaimien, riippuen sähkötyökäluun lajist ja käyttötavasta, vähentää loukkaantumisriskiä.
- c) **Vältä tahatonta käynnistämistä. Varmista, että sähkötyökälu on poiskytkettyä, ennen kuin liität sen sähköverkkoon ja/tai liität akun, otat sen käteen tai kannat sitä.** Jos kannat sähkötyökäluä sormi käynnistyskytkimellä tai kytket sähkötyökäluun pistotulpan pistorasiaan, käynnistyskytkimen ollessa käyntiasennossa, altistat itsesi onnettomuuksille.
- d) **Poista kaikki säätötyökälu tai ruuvitalat, ennen kuin käynnistät sähkötyökäluun.** Työkälu tai avain, joka sijaitsee laitteen pyörivässä osassa, saattaa johtaa loukkaantumiseen.
- e) **Älä yliarvioi itseäsi. Huolehdi aina tukevasta seisoma-asennosta ja tasapainosta.** Täten voit paremmin hallita sähkötyökäluä odottamattomissa tilanteissa.
- f) **Käytä tarkoitukseen soveltuvia vaatteita. Älä käytä löysiä työvaatteita tai koruja. Pidä hiukset ja vaatteet poissa liikkuvien osien ulottuvilta.** Väljät vaatteet, korut ja pitkät hiukset voivat takertua liikkuviin osiin.
- g) **Jos pölynimu- ja keräilylaitteita voidaan asentaa, tulee sinun tarkistaa, että ne on liitetty ja että ne käytetään oikealla tavalla.** Pölynimulaitteiston käyttö vähentää pölyn aiheuttamia vaaroja.
- h) **Työskentele keskittyneesti ja noudata aina turvallisuusmääräyksiä.** Hetkellinenkin huolimattomuus voi aiheuttaa vakavia vammoja.

### 4) SÄHKÖTYÖKÄLUJEN KÄYTTÖ JA HOITO

- a) **Älä ylikuormita laitetta. Käytä kyseiseen työhön tarkoitettua sähkötyökäluä.** Sopivaa sähkötyökäluä käyttäen työskentelet paremmin ja varmemmin tehoalueella, jolle sähkötyökälu on tarkoitettu.
- b) **Älä käytä sähkötyökäluä, jota ei voida käynnistää ja pysäyttää käynnistyskytkimestä.** Sähkötyökälu, jota ei enää voida käynnistää ja pysäyttää käynnistyskytkimellä, on vaarallinen ja se täytyy korjata.
- c) **Irrota pistotulppa pistorasiasta ja/tai irrota akku (jos irrotettava) sähkötyökäluista, ennen kuin suoritat säätöjä, vaihdat tarvikkeita tai viet sähkötyökäluun varastoon.** Nämä turvatoimenpiteet pienentävät sähkötyökäluun tahattoman käynnistysriskin.
- d) **Säilytä sähkötyökälu poissa lasten ulottuvilta, kun niitä ei käytetä. Älä anna sellaisten henkilöiden käyttää sähkötyökäluä, jotka eivät tunne sitä tai jotka eivät ole lukeneet tätä käyttöohjetta.** Sähkötyökälu ovat vaarallisia, jos niitä käyttävät kokemattomat henkilöt.
- e) **Pidä sähkötyökälu ja tarvikkeet hyvässä kunnossa. Tarkista, että liikkuvat osat toimivat moitteettomasti, eivätkä ole puristuksessa sekä, että siinä ei ole murtuneita tai vahingoittuneita osia, jotka saattaisivat vaikuttaa haitallisesti sähkötyökäluun toimintaan. Anna korjauttaa mahdolliset viat ennen käyttöönottoa.** Monen tapaturman syyt löytyvät huonosti huolletuista laitteista.
- f) **Pidä leikkausterät terävinä ja puhtaina.** Huolellisesti hoidetut leikkausterät, joiden leikkausreunat ovat teräviä, eivät tartu helposti kiinni ja niitä on helpompi hallita.
- g) **Käytä sähkötyökäluja, tarvikkeita, vaihtotyökäluja jne. näiden ohjeiden mukaisesti. Ota tällöin huomioon työolosuhteet ja suoritettava toimenpide.** Sähkötyökäluun käyttö muuhun kuin sille määrättyyn käyttöön, saattaa johtaa vaarallisiin tilanteisiin.
- h) **Pidä kahvat ja kädensijat kuivina ja puhtaina (öljyttöminä ja rasvattomina).** Jos kahvat ja kädensijat ovat liukkaita, et pysty ylläpitävissä tilanteissa ohjaamaan ja hallitsemaan työkalua turvallisesti.

### 5) HUOLTO

- a) **Anna koulutettujen ammattihenkilöiden korjata sähkötyökäluja ja hyväksy korjauksiin vain alkuperäisiä varaosia.** Täten varmistat, että sähkötyökälu säilyy turvallisena.

### PYÖRÖSAHOJEN TURVALLISUUSOHJEET

#### 1) SAHAUSMENETelmä

- a) **VAARA : Pidä kädet loitolla sahausalueelta ja sahanterästä. Pidä toinen käsi lisäkavhassa tai moottorikotelossa.** Kun molemmat kädet pitelevät pyörösaahaa, sahanterä ei pysty vahingoittamaan niitä.
- b) **Älä kurota työkapaleen alapuolelle.** Suojus ei pysty suojaamaan sinua terältä työkapaleen alapuolella.
- c) **Säädä sahausvyvyys sahattavan materiaalin paksuuden mukaiseksi.** Työkappaleen alapuolelta tulisi näkyä enimmillään hampaan verran sahanterää.
- d) **Älä koskaan pidä sahattavaa työkapaleetta kädessä tai jalkojen päällä. Tue työkapaleetta tukevaa alustaa vasten.** On tärkeää kiinnittää työkapale hyvin, jotta kosketus kehoon, sahanterän jääminen puristukseen ja

- hallinnan menettäminen estyisi.
- e) **Pidä kiinni sähkötyökalun eristetyistä tartuntapinnoista, koska leikkuuterät voivat osua piilossa oleviin johtoihin tai laitteen omaan johtoon** (jos leikkuuterät osuvat jännitteeseen johtoon, sähkötyökalun paljaisiin metalliosiin voi tulla jännitettä ja laitteen käyttäjä voi saada sähköiskun)
- f) **Kuituja pitkin sahattaessa käytä aina sahausohjainta tai suorareunaista ohjainta.** Tämä parantaa sahausksen tarkkuutta ja vähentää terän kiinnitarttumista.
- g) **Käytä aina oikean kokoisia ja oikealla kiinnitysreillä varustettuja sahanteriä (esim. tähdenmuotoinen tai pyöreä).** Sahanterät, jotka eivät sovi sahan asennusosiin pyörivät epäkeksiseesti ja johtavat sahan hallinnan menettämiseen.
- h) **Älä koskaan käytä vaurioituneita tai vääriä terän välirenkaita tai pultteja.** Terän välirenkaat ja pultit on suunniteltu erityisesti sahaasi varten optimin suoritusastan ja turvallisen toiminnan varmistamiseksi.
- 2) TAKAPOTKU - SYY JA VASTAAVAT OHJEET**
- Takapotku on äkillinen reaktio puristettuun, kiinnitarttuneeseen tai vääriin kohdistettuun sahanterään nähdessä saaden aikaan kontrollin menettäneen sahan nousun ylös ja ulos työkappaleesta kohti käyttäjää
  - Kun terä on puristettu tai kiinnitartunut tiukasti halkaisun sulkeutuessa, terä pysähtyy ja moottorin reaktio ajaa laitteen nopeasti taaksepäin käyttäjää kohti
  - Jos terä vääntyy tai on kohdistettu vääriin sahauskeeseen, terän takareunassa olevat hampaat voivat pureutua puun yläpintaan saaden aikaan terän nousun halkaisusta ja hypähdysten taaksepäin kohti käyttäjää
  - Takaisku johtuu sähkötyökalun vääriinkäytöstä tai käytöstä vääriin tarkoituksiin. Se voidaan estää sopivien varotoimien, joita selostetaan seuraavassa.
- a) **Pidä kädensijasta-/sijoista tiukasti kiinni ja pidä varalosi ja käsivartesi asennossa, jossa voit kontrolloida mahdollisesta takapotkusta aiheutuva voimaa. Pidä varalosi sahanterälinjan jommallakummalla puolella, älä sahalinjan tasalla.** Mahdollinen takapotku saattaa aiheuttaa sahan hypäämisen taaksepäin, mutta tämä on käyttäjän hallittavissa, mikäli siihen varaudutaan ja laitteesta pidetään oikeaoppisesti kiinni.
- b) **Kun terä on tarttunut kiinni tai kun sahaus keskeytetään jostakin syystä, vapautu liipaisin ja pidä saha liikkumattomana materiaalissa, kunnes terä pysähtyy täysin. Älä koskaan yritä poistaa sahaa työkappaleesta tai vetää sahaa taaksepäin terän liikkuessaa, muuten voi aiheutua takapotkun.** Tutki tapausta ja ryhdy tarvittaviin toimenpiteisiin terän kiinnitarttumisen aiheuttavan syyn eliminoimiseksi. Vältä sahausta nauloihin tai ruuveihin.
- c) **Kun saha käynnistetään uudelleen työkappaleeseen, aseta terä keskelle halkaisua ja tarkista, että sahan terät eivät ole kiinni materiaalissa.** Jos sahan terä on tarttunut kiinni, se voi ponnahtaa ylös tai saada aikaan takapotkun työkappaleesta käynnistettäessä sahaa uudelleen.
- d) **Tue suuret paneelit terän puristus- ja takapotkuriskin minimoimiseksi.** Suuret paneelit pyrkivät painumaan oman painonsa voimasta, tuet on asetettava molemmille puolille paneelia sahauslinjan ja paneelin reunan lähelle.

- e) **Älä käytä tylsiä tai vaurioituneita teriä.** Teroittamattomat tai vääriin asetetut terät aiheuttavat kapean halkaisun, josta seuraa liiallinen kitka, terän tartunta ja takapotku.
- f) **Terän syvyyden ja vinouden säädön lukitusvipujen on oltava tiukalla ja turvallisia ennen sahausksen suorittamista.** Jos terän säätö muuttuu sahausksen aikana, seurauksena voi olla kiinnitarttuminen ja takapotku.
- g) **Ole erityisen varovainen sahausksissa seinini tai muihin alueisiin, joiden taustaa tai rakennetta et pysty näkemään.** Sahanterä saattaa upotessaan osua piilossa oleviin kohteisiin, jotka aiheuttavat takapotkun.
- 1) ALASUOJUKSEN TOIMINTA**
- a) **Tarkista aina ennen käyttöä, että alasuojus on suljettu kunnolla. Älä käytä sahaa, jos alasuojus ei liiku vapaasti eikä sulkeudu välittömästi. Älä koskaan kiilaa tai sido alasuojusta "auki"-asentoon.** Jos saha pudotetaan vahingossa, alasuojus voi taipua. Vedä pistoke pistorasiasta, nosta alasuojus kokoonvedettävää kahvaa käyttämällä ja varmista, että se liikkuu esteettä eikä kosketa terää eikä muita osia sahauskulumista ja syvyyksistä riippumatta.
- b) **Tarkista alasuojuksen jousen toiminta. Jos suojuus ja jousi eivät toimi kunnolla, ne on huollettava ennen käyttöä.** Alasuojuksen toiminta voi hidastua vaurioituneiden osien, tahmaisen lian tai lian kerääntymisen johdosta.
- c) **Alasuojus on kokoonvedettävä manuaalisesti vain erityissahaussuissa varten, kuten upotussahaus tai sekasahaus. Nosta alasuojus kokoonvedettävää kahvaa käyttämällä ja alasuojus on vapautettava heti kun terä syötty materiaaliin.** Kaikissa muissa sahaustoimissa alasuojus toimii automaattisesti.
- d) **Tarkista aina, että alasuojus peittää terän ennen sahan asettamista työpenkille tai lattialle.** Suojaamaton, liukuva terä saa sahan kulkemaan taaksepäin ja sahaamaan kaiken sen tielle tulevan materiaalin. Muista, että terän pysähtymisen vie jonkin aikaa kytkimen vapauttamisen jälkeen.

## LISÄVARO-TURVALLISUUSOHJEITA

- Kytkenytäpahtumat aikaansaavat lyhytaikaisia jännitteen alenemisiä; huonoissa verkko-olosuhteissa saattaa tämä vaikuttaa haitallisesti muihin laitteisiin (verkkoimpedanssin ollessa alle 0,468 Ohm ei häiriötä ole odotettavissa); jos tarvitset lisätietoa, ole hyvä ja ota yhteyttä omaan sähkönjakelijaaasi

## YLEISTÄ

- Tätä työkalua saavat käyttää vain 16 vuotta täyttäneet henkilöt
- Tämä saha ei sovellu märkäsahauskseen
- **Irrota aina pistotulppa pistorasiasta, ennen kuin suoritat laitteelle mitään säätöjä tai vaihdat tarvikketa**
- Älä käytä työkalua, jonka johto on vioittunut; johto on vaihdettava erikoisvalmisteseen johtoon, jonka voi hankkia mistä tahansa huolto-organisaatioon kuuluvasta liikkeestä.
- **Älä koskaan työstä asbestipitoista ainetta** (asbestia pidetään karsinogeenisena)
- Materiaaleista, kuten lyijypitoinen maali, jotkut puulajit, mineraalit ja metalli, tuleva pöly voi olla

vahingollista (kosketuksiin joutuminen pölyn kanssa tai sen sisään hengittäminen voi aiheuttaa käyttäjälle tai sivustakatsojille allergiareaktioita ja/tai hengitysvaivoja); **käytä pölynaamarina ja työskentele pölynpoistolaitteen kanssa, kun sellainen on liitettävissä**

- Tietyntyyppiset pölyt on luokiteltu karsinogeenisiksi (kuten tammi- ja pyökkipöly) erityisesti puun käsittelyyn käytettävien lisäaineiden yhteydessä; **käytä pölynaamarina ja työskentele pölynpoistolaitteen kanssa, kun sellainen on liitettävissä**
- Noudata maakohtaisia pölyyn liittyviä sääntöjä
- Käytä ainoastaan sahauspöytää, jossa on kytkin, joka estää moottorin uudelleen käynnistymisen sähkökatkon jälkeen
- Käytä ainoastaan sahauspöytää, jossa on halkaisukilaa

#### VARUSTEET

- SKIL pystyy takaamaan työkalun moitteettoman toiminnan vain, kun käytetään alkuperäisiä tarvikkeita
- Käytä ainoastaan sahanteriä, jotka vastaavat tässä käyttöohjeessa määritellyjä ominaisuuksia, ovat koestettuja EN 847-1 mukaan ja vastaavasti merkittyjä
- Käytä vain tarvikkeita, joiden sallittu kierrosnumero on vähintään yhtä suuri kuin laitteen suurin tyhjäkäyntikierrosnumero
- Käytä ainoastaan sahanteriä, joiden vähimmäishalkaisija on 184 mm, enimmäishalkaisija 184 mm ja karan aukko 16 mm (5820)
- Käytä ainoastaan sahanteriä, joiden vähimmäishalkaisija on 190 mm, enimmäishalkaisija 190 mm ja karan aukko 16 mm (5830)
- Älä koskaan käytä pikateräksestä tehtyjä sahanteriä
- Älä käytä hionta- tai jyräintälevyjä tämän koneen kanssa

#### ENNEN KÄYTTÖÄ

- Tarkista aina, että syöttöjännite on sama kuin työkalun nimiltaan osoittama jännite
- Vältä vaaralliset vahingot, jotka voivat aiheutua nauloista, ruuveista tai muista aineista työstettävässä materiaalissa; poista ne ennen työskentelyn aloittamista
- Poista kaikki esteet sahauslinjan ylä- ja alapuolelta ennen sahausta
- **Kiinnitä työstettävä kappale** (kiinnittimeen tai puristimeen kiinnitetty työstettävä kappale pysyy tukevammin paikoillaan kuin käsin pidettäessä)
- **Käytä sopivia etsintälaitteita pilossa olevien syöttöjohtojen paikallistamiseksi, tai käänny paikallisen jakeluyltön puoleen** (kosketus sähköjohtoon saattaa johtaa tulipaloon ja sähköiskuun; kaasuputken vahingoittaminen saattaa johtaa räjähdydykseen; vesijohtoon tunkeutuminen aiheuttaa aineellista vahinkoa tai saattaa johtaa sähköiskuun)
- Käytä täysin rullaamattomia ja turvallisia jatkejohtoja, joiden kapasiteetti on 16 ampeeria

#### KÄYTÖN AIKANA

- Työskennellessä melutaso saattaa ylittää 85 dB(A); jolloin suositteluaan kuulosuojaimien käyttöä
- Älä koskaan käytä konetta ilman alkuperäisiä suojarusteita
- Älä sahaa pieniä työkappaleita
- Älä käytä sahaa pään yläpuolella
- Jos saha juuttuu kiinni tai jos huomaat siinä sähköisen tai mekaanisen vian, sulje se heti ja irrota pistotulppa pistorasiasta
- Jos sähköjohto vahingoittuu tai katkeaa työn aikana ei johtoa saa koskettaa, vaan pistotulppa on välittömästi irrotettava pistorasiasta

#### KÄYTÖN JÄLKEEN

- Kun panet koneen pois, sammuta moottori ja varmista, että kaikki liikkuvat osat ovat pysähtyneet
- Sammutettuasi pyörösahasi älä koskaan pysäytä sahanterää painamalla sitä sivuttaissuunnassa

#### TYÖKALUN SYMBOLIEN SELITYKSET

- ③ Lue käyttöohjeet ennen käyttöä
- ④ Kaksoiseristys (ei tarvita maajohtoa)
- ⑤ Älä hävitä konetta tavallisen kotitalousjätteen mukana

#### KÄYTTÖ

- Sahanterän kiinnittäminen ②  
**! vedä pistoke pistorasiasta**
  - ota teränava-in T pidikkeestä V
  - paina karanlukituspainiketta C ja pidä sitä painettuna samalla kun irrotat teräpultin D teränavaimella T**! paina karanlukituspainiketta C vain sahan ollessa pysähdyksissä**
  - vapauta karanlukituspainike C
  - poista laippa E**! varmista, että laippojen puristuspinnat H ovat täysin puhtaat ja että ne osoittavat kohti terää**
  - avaa alasuojia F vivusta G ja pidä siitä kiinni kiinnittäessäsi terää niin että sahan hampailla varustettu terä ja sahan terään merkitty nuoli osoittavat samaan suuntaan kuin yläsuojuksella oleva nuoli
  - vapauta alasuojus F
  - kiinnitä laippa E
  - paina karanlukituspainiketta C ja pidä sitä painettuna samalla kun kiristät terän pulttia teränavaimella 1/8 kierroksen verran olemaan sormikireyttä tiukemmalla (varmistaa, että saha ei vahingoitu silloin, kun terään kohdistuu voimakas rasitus tai takapotku)
  - vapauta karanlukituspainike C
- Sahaussyvyyden asetus ⑥
  - jotta saataisiin paras mahdollinen sahauslaatu, sahanterä saa ulottua työkappaleen alapuolelle korkeintaan 3 mm
  - vapauta nuppia J
  - nosta/laske pohjalevyä K, kunnes haluamasi sahaussyvyys näkyy asteikon osoittimella L
  - kiristä nuppia J
- Sahauskulman asetus (0-50°) ⑦
  - vapauta nuppia M
  - kallista työkalua, kunnes haluamasi sahauskulman näkyy asteikon osoittimella N
  - kiristä nuppia M**! kun sahataan viistoreunaa, sahausvyvyys ei vastaa sahausvyvyyden asteikolla näkyvää arvoa**
- 90°:n sahauskulman tarkistus ⑦
  - säädä ja kiristä pohjalevy K maksimisahaussyvyyteen ⑥
  - säädä ja kiristä sahauskulma 0°:een
  - tarkista terän ja pohjalevyn välinen 90°:n kulma suorakulman avulla
  - jos säätö on tarpeen, vapauta nuppia M ja käytä säätöruuvia P kuvassa näkyvällä tavalla
- Säädettävä sahauslinjan osoitin Q ⑧
  - ohjaa sahaa haluttua sahauslinjaa pitkin, joka on merkitty työkappaleeseen
  - käytä suoraa 0°:n ja viistoa 45°:n sahausta varten vastaavaa osoitinlinjaa**! pohjalevyn leveän osan pitäisi sijaita työkappaleen**

## tuetun osan päällä

- voidaan säätää vastaamaan eri sahanterän leveyksiä, mutta voi käydä niin, että sahanterän toista puolta ei saada kohdistettua, joten valitse, onko jäte terän sisä- vai ulkopuolella ⑧

**! sahausksen leveyden määrää terän hampaiden leveys eikä terän rungon leveys**

**! suorita aina ensin koehaus tarkistaaksesi todellisen sahauslinjan**

- Pölynimu
  - liitä pölynimuri liitoskappaleeseen Y ⑨
  - ! varmista, että pölyimurin letku ei pääse häiritsemään alasuojaa eikä sahausta**
- Työkalun käyttö ⑨
  - aseta pistotulppa pistorasiaan
  - pidä aina lujasti yhdellä kädellä kahvasta R ja toisella kädellä kahvasta S
  - aseta saha työkappaleelle siten, että sen pohjalevyn etusivu lepää työkappaleen päällä
  - ! varmista, etteivät sahanterän hampaat ole kosketuksissa työkappaleeseen**
  - käynnistä saha painamalla ensin nuppia B (= turvakytin, jota ei voida lukita) ja sen jälkeen vetämällä kytkimestä A
  - ! koneen pitää käydä täysillä kierroksilla ennen sahanterän kosketusta työstettävään kappaleeseen**
  - alasuoja F avautuu automaattisesti, kun sahanterä koskettaa työkappaletta (alasuoja avataan käsin vivusta G vain erikoissahausta, kuten esim. upotussahausta, varten)
  - ! älä liikuta työkalua väkisin (paina sitä kevyesti ja jatkuvasti välttääksesi terän kärkien ylikuumentumisen, ja jos sahaat muovia, muovin sulamisen)**
  - ! pidä työkalusta kiinni aina työskentelyn aikana harmaan värisestä kädensija(oi)sta**
  - kun työ on suoritettu, sulje saha kytkimestä A
  - ! varmista, että terä on täysin pysähtynyt, ennen kuin irrotat sen työkappaleesta**

## VINKKEJÄ

- Käännä aina työkappaleen parempi puoli alaspäin, jotta reunan repeäminen olisi mahdollisimman vähäistä
- Käytä vain oikeantyyppisiä teräviä sahanteriä ⑩
  - sahausksen laatu riippuu hammastuksen tiheydestä
  - kovametallikärkiset terät pysyvät terävinä jopa 30 kertaa kauemmin kuin tavalliset sahanterät
- Sivuohjain Z ①
  - tarkkoihin sahausiin työkappaleen reunan suunnassa
  - voidaan kiinnittää pohjalevyn molemmille puolille Sivuohjaimen säätö
  - vapauta nuppia AA
  - aseta haluamasi sahausleveys käyttämällä suuntaisohjaimen asteikkoa (käytä sahauslinjan osoitinta Q 0-arvon osoittimena)
  - kiristä nuppia AA
- Upotussahaus ⑫
  - aseta haluamasi sahausvyvyys
  - kallista työkalua eteenpäin siten, että sahauslinjan osoitin Q yhtyy haluamaasi sahauslinjaan, joka on merkitty työkappaleeseen

- avaa alasuoja F vivusta G
- juuri ennen kuin terä uppoaa työkappaleeseen, käynnistä saha ja laske alas asteittain sen takaosaa käyttäen pohjalevyn etuosaa tukipisteenä
- laske sahaa asteittain alaspäin vieden sitä samalla eteenpäin
- kun terä syytty materiaaliin, vapauta vipu G

**! älä koskaan vedä sahaa taaksepäin**

- Suurten levyjen sahaaminen ⑬
  - aseta levy ennen sahausta lattialle, pöydälle tai työpenkkiin
  - ! aseta sahausvyvyys siten, että sahaus tapahtuu levyn läpi eikä osu sen tukialustaan**
  - jos sivuohjain ei salli halutun levyistä sahausta, kiinnitä suora puupala työkappaleeseen ohjaimeksi niin, että pohjalevyn oikea puoli tulee tätä ohjainta vasten

## HOITO / HUOLTO

- Tätä työkalua ei ole tarkoitettu ammattikäyttöön
- Pidä työkalu ja johto puhtaina (varmista erityisesti ilmakokojen puhtaus AB)
- ! irrota liitosjohto aina puhdistuksen ajaksi pistorasiasta**
- Pidä alemman suojuksen F ② ympäristö aina puhtaana (poista pöly ja lastut puhaltamalla paineilmalla tai harjalla)
- Puhdista sahanterä välittömästi käytön jälkeen (erityisesti pihkasta ja liimasta)
- Jos sähkötyökalussa, huolellisesta valmistuksesta ja koestusmenettelystä huolimatta esiintyy vikaa, tulee korjaus antaa SKIL sopimuspuhollon tehtäväksi
  - toimita työkalu sitä osiin **purkamatta** lähimpään SKIL-huoltoon (osoitteet ja työkalun huoltokaava ovat tarjolla web-osoitteessa [www.skil.com](http://www.skil.com)) ostotodiste mukaan liitettynä
- Ota huomioon, että takuu ei kata työkalun ylikuormituksesta tai väärästä käsittelystä johtuvia vahinkoja (katso SKILin takuehdot osoitteesta [www.skil.com](http://www.skil.com) tai kysy jälleenmyyjältä)

## YMPÄRISTÖNSUOJELU

- **Älä hävitä sähkötyökalua, tarvikkeita tai pakkausta tavallisen kotitalousjätteen mukana** (koskee vain EU-maita)
- vanhoja sähkö- ja elektroniikkalaitteita koskevan EU-direktiivin 2012/19/ETY ja sen maakohtaisten sovellusten mukaisesti käytetyt sähkötyökalut on toimitettava ongelmajätteen keräyspisteeseen ja ohjattava ympäristöystävälliseen kierrätykseen
- symboli ⑤ muistuttaa tästä, kun käytöstä poisto tulee ajankohtaiseksi

## MELU / TÄRINÄ

- Tämän työkalun standardin EN 62841 mukaisesti mitattu äänenpainotaso on 97,0 dB(A) ja äänenvoimakkuus 108,0 dB(A) (epävarmuus K = 3 dB), ja tärinä \* (trix-vektorisumma, epävarmuus K = 1.5 m/s<sup>2</sup>)
  - \* puun sahaus 4,0 m/s<sup>2</sup>
  - \* metallin sahaus 2,8 m/s<sup>2</sup>
- Tärinäsäteilytaso on mitattu standardin EN 62841 mukaisen standarditestin mukaisesti; sitä voidaan käyttää verrattaessa yhtä laitetta toiseen sekä alustavana



tärinälle altistumisen arviona käytettäessä laitetta manituissa käyttötarkoituksissa

- laitteen käyttö eri käyttötarkoituksiin tai erilaisten tai huonosti ylläpidettyjen lisälaitteiden kanssa voi **lisätä** merkittävästi altistumistasoa
- laitteen ollessa sammuksissa tai kun se on käynnissä, mutta sillä ei tehdä työtä, altistumistaso voi olla huomattavasti **pienempi**

**! suojaudu tärinän vaikutuksilta ylläpitämällä laite ja sen lisävarusteet, pitämällä kädet lämpiminä ja järjestämällä työmenetelmät**

E

## Sierra circular 5820/5830

### INTRODUCCIÓN

- Esta herramienta ha sido proyectada para efectuar cortes longitudinales y transversales rectos y con un ángulo de inglete hasta 50° en madera; al emplear las hojas de sierra correspondientes pueden aserrarse también materiales no férricos, materiales de construcción ligeros y materiales sintéticos
- Esta herramienta no está concebida para uso profesional
- Lea y conserve este manual de instrucciones ③

### DATOS TÉCNICOS ①

### ELEMENTOS DE LA HERRAMIENTA ②

- A Interruptor de gatillo
- B Interruptor de seguridad
- C Botón de bloqueo del eje
- D Tornillo de la hoja
- E Brida
- F Guarda inferior
- G Palanca para abrir la guarda inferior
- H Superficies de enganche
- J Botón de ajuste de profundidad de corte
- K Base
- L Indicador de la profundidad de corte
- M Botón para ajuste del ángulo de corte
- N Indicador del ángulo de corte
- P Tornillo para ajuste de tope final a 90°
- Q Visor de la línea de corte
- R Empuñadura posterior
- S Empuñadura delantera
- T Llave de la hoja
- V Espacio para guardar la llave de la hoja
- W Salida de virutas
- Y Adaptador para aspirador
- Z Guía paralela
- AA Botón para ajuste de la guía paralela
- AB Ranuras de ventilación

### SEGURIDAD

#### ADVERTENCIAS DE PELIGRO GENERALES PARA HERRAMIENTAS ELÉCTRICAS

**⚠ ADVERTENCIA** Lea todas las advertencias de seguridad, instrucciones, ilustraciones y especificaciones entregadas con esta herramienta

**eléctrica.** El incumplimiento de alguna de las instrucciones que figuran a continuación puede ser causa de descargas eléctricas, incendios o lesiones graves.

#### Guardar todas las advertencias de peligro e instrucciones para futuras consultas.

El término “herramienta eléctrica” empleado en las siguientes advertencias de peligro se refiere a herramientas eléctricas de conexión a la red (con cable de red) y a herramientas eléctricas accionadas por acumulador (o sea, sin cable de red).

#### 1) SEGURIDAD DEL PUESTO DE TRABAJO

- a) **Mantenga limpia y bien iluminada su área de trabajo.** El desorden o una iluminación deficiente en las áreas de trabajo pueden provocar accidentes.
- b) **No utilice la herramienta eléctrica en un entorno con peligro de explosión, en el que se encuentren combustibles líquidos, gases o material en polvo.** Las herramientas eléctricas producen chispas que pueden llegar a inflamar los materiales en polvo o vapores.
- c) **Mantenga alejados a los niños y otras personas de su área de trabajo al emplear la herramienta eléctrica.** Una distracción le puede hacer perder el control sobre la herramienta.

#### 2) SEGURIDAD ELÉCTRICA

- a) **El enchufe de la herramienta eléctrica debe corresponder a la toma de corriente utilizada. No es admisible modificar el enchufe en forma alguna. No emplear adaptadores en herramientas eléctricas dotadas con una toma de tierra.** Los enchufes sin modificar adecuados a las respectivas tomas de corriente reducen el riesgo de una descarga eléctrica.
  - b) **Evite que su cuerpo toque partes conectadas a tierra como tuberías, radiadores, cocinas y refrigeradores.** El riesgo a quedar expuesto a una descarga eléctrica es mayor si su cuerpo tiene contacto con tomas de tierra.
  - c) **No exponga las herramientas eléctricas a la lluvia o a condiciones de humedad.** Existe el peligro de recibir una descarga eléctrica si penetran líquidos en la herramienta eléctrica.
  - d) **No utilice el cable de red para transportar o colgar la herramienta eléctrica, ni tire de él para sacar el enchufe de la toma de corriente. Mantenga el cable de red alejado del calor, aceite, esquinas cortantes o piezas móviles.** Los cables de red dañados o enredados pueden provocar una descarga eléctrica.
  - e) **Al trabajar con la herramienta eléctrica en la intemperie utilice solamente cables de prolongación homologados para su uso en exteriores.** La utilización de un cable de prolongación adecuado para su uso en exteriores reduce el riesgo de una descarga eléctrica.
  - f) **Si el funcionamiento de una herramienta eléctrica en un lugar húmedo fuese inevitable, utilice un cortacircuito de fuga a tierra.** El uso de un cortacircuito de fuga a tierra reduce el riesgo de descarga eléctrica.
- #### 3) SEGURIDAD DE PERSONAS
- a) **Esté atento y emplee la herramienta eléctrica con**

**prudencia. No utilice la herramienta eléctrica si estuviese cansado, ni bajo los efectos de alcohol, drogas o medicamentos.** El no estar atento durante el uso de una herramienta eléctrica puede provocarle serias lesiones.

- b) **Utilice un equipo de protección personal y en todo caso unas gafas de protección.** El riesgo a lesionarse se reduce considerablemente si, dependiendo del tipo y la aplicación de la herramienta eléctrica empleada, se utiliza un equipo de protección adecuado como una mascarilla antipolvo, zapatos de seguridad con suela antideslizante, casco, o protectores auditivos.
- c) **Evite una puesta en marcha fortuita. Asegurarse de que la herramienta eléctrica esté desconectada antes de conectarla a la toma de corriente y/o al montar el acumulador, al recogerla, y al transportarla.** Si transporta la herramienta eléctrica sujetándola por el interruptor de conexión/desconexión, o si introduce el enchufe en la toma de corriente con la herramienta eléctrica conectada, ello puede dar lugar a un accidente.
- d) **Retire las herramientas de ajuste o llaves fijas antes de conectar la herramienta eléctrica.** Una herramienta o llave colocada en una pieza rotativa puede producir lesiones graves al accionar la herramienta eléctrica.
- e) **Sea precavido. Trabaje sobre una base firme y mantenga el equilibrio en todo momento.** Ello le permitirá controlar mejor la herramienta eléctrica en caso de presentarse una situación inesperada.
- f) **Lleve puesta una vestimenta de trabajo adecuada. No utilice vestimenta amplia ni joyas. Mantenga su pelo y vestimenta alejados de las piezas móviles.** La vestimenta suelta, las joyas y el pelo largo se pueden enganchar con las piezas en movimiento.
- g) **Siempre que sea posible utilizar equipos de aspiración o captación de polvo, asegúrese que éstos estén montados y que sean utilizados correctamente.** El empleo de estos equipos reduce los riesgos derivados del polvo.
- h) **No permita que la familiaridad ganada por el uso frecuente de la herramienta eléctrica lo deje creerse seguro e ignorar las normas de seguridad.** Una acción negligente puede causar lesiones graves en una fracción de segundo.

#### **4) CUIDADO Y UTILIZACIÓN DE HERRAMIENTAS ELÉCTRICAS**

- a) **No sobrecargue la herramienta eléctrica. Use la herramienta eléctrica prevista para el trabajo a realizar.** Con la herramienta eléctrica adecuada podrá trabajar mejor y con mayor seguridad dentro del margen de potencia indicado.
- b) **No utilice herramientas eléctricas con un interruptor defectuoso.** Las herramientas eléctricas que no se puedan conectar o desconectar son peligrosas y deben repararse.
- c) **Saque el enchufe de la red y/o retire el acumulador desmontable de la herramienta eléctrica, antes de realizar un ajuste, cambiar de accesorio o al guardar la herramienta eléctrica.** Esta medida preventiva reduce el riesgo de conectar accidentalmente la herramienta eléctrica.
- d) **Guarde las herramientas eléctricas fuera del alcance de los niños y de las personas que no estén**

**familiarizadas con su uso.** Las herramientas eléctricas utilizadas por personas inexpertas son peligrosas.

- e) **Cuide la herramienta eléctrica y los accesorios con esmero. Controle si funcionan correctamente, sin atascarse, las partes móviles de la herramienta eléctrica, y si existen partes rotas o deterioradas que pudieran afectar al funcionamiento de la herramienta eléctrica. Si la herramienta eléctrica estuviese defectuosa haga repararla antes de volver a utilizarla.** Muchos de los accidentes se deben a herramientas eléctricas con un mantenimiento deficiente.
- f) **Mantenga los útiles limpios y afilados.** Los útiles mantenidos correctamente se dejan guiar y controlar mejor.
- g) **Utilice herramientas eléctricas, accesorios, útiles, etc. de acuerdo con estas instrucciones, teniendo en cuenta las condiciones de trabajo y la tarea a realizar.** El uso de herramientas eléctricas para trabajos diferentes de aquellos para los que han sido concebidas puede resultar peligroso.
- h) **Mantenga las empuñaduras y las superficies de las empuñaduras secas, limpias y libres de aceite y grasa.** Las empuñaduras y las superficies de las empuñaduras resbaladizas no permiten un manejo y control seguro de la herramienta eléctrica en situaciones imprevistas.

#### **5) SERVICIO**

- a) **Únicamente haga reparar su herramienta eléctrica por un profesional, empleando exclusivamente piezas de repuesto originales.** Solamente así se mantiene la seguridad de la herramienta eléctrica.

#### **INSTRUCCIONES DE SEGURIDAD PARA SIERRAS CIRCULARES**

##### **1) PROCEDIMIENTOS DE SERRADO**

- a) **PELIGRO: No acerque las manos a la zona de corte y la cuchilla. Mantenga la segunda mano en la empuñadura auxiliar o sobre el alojamiento del motor.** Si usa las dos manos para sujetar la sierra, no podrá cortarse con la cuchilla.
- b) **No meta la mano debajo de la pieza de trabajo.** La guarda no puede protegerle contra la hoja debajo de la pieza de trabajo.
- c) **Ajuste la profundidad de corte al grosor de la pieza de trabajo.** Por debajo de la pieza de trabajo debe sobresalir al menos un diente de la hoja de sierra.
- d) **Jamás sujete la pieza de trabajo con la mano o colocándola sobre sus piernas. Fije la pieza de trabajo sobre una plataforma estable.** Es importante que la pieza de trabajo quede bien sujeta para reducir el riesgo a accidentarse, a que se atasque la hoja de sierra, o a perder del control sobre la herramienta.
- e) **Sujete la herramienta exclusivamente por las superficies de agarre aisladas, ya que es posible que las hojas de corte entren en contacto con cables ocultos o con su propio cable de alimentación (si las hojas de corte se ponen en contacto con un cable bajo tensión es posible que queden bajo tensión las partes metálicas de la herramienta, lo que podría ocasionar una descarga eléctrica al operario)**
- f) **Al aserrar con corte longitudinal utilice siempre una**

**guía de borde recto.** Esto mejora la precisión del corte y reduce las probabilidades de que la hoja se atasque.

- g) **Siempre emplee hojas de sierra de dimensiones correctas, cuyo orificio se corresponda con el alojamiento en la brida de apoyo (romboidal o redondo).** Las hojas de sierra que no ajusten correctamente en los elementos de acoplamiento a la sierra, giran excéntricas y pueden hacerle perder el control sobre la sierra.
- h) **No utilice arandelas o pernos de hoja dañados o incorrectos.** Las arandelas y el perno de la hoja fueron diseñados especialmente para su sierra, para proporcionar un rendimiento y una seguridad de funcionamiento óptimos.

## 2) RETROCESO - CAUSAS Y ADVERTENCIAS AL RESPECTO RETROCESO

- El retroceso es una reacción repentina producida en una hoja de sierra mal alineada, atascada o enganchada, que causa que una sierra incontrolada se levante y salga de la pieza de trabajo y salte hacia el operario
- Cuando la hoja se engancha o queda atrapada debido a que el corte de la sierra se cierra, la hoja se atasca y la reacción del motor impulsa la unidad rápidamente hacia atrás y contra el operador
- Si la hoja se tuerce o queda mal alineada en el corte, los dientes del borde posterior de la sierra pueden clavarse en la superficie superior de la madera haciendo que la hoja se salga del corte y salte hacia atrás y contra el operador
- El rechazo es ocasionado por la aplicación o manejo incorrecto de la herramienta eléctrica. Es posible evitarlo ateniéndose a las medidas preventivas que a continuación se detallan.

- a) **Mantenga la sierra bien agarrada con ambas manos y posicione los brazos para resistir las fuerzas de la acción de retroceso. Posicione el cuerpo a cualquier lado de la hoja, pero no alineado con la hoja.** La acción de retroceso podría causar que la sierra saltara hacia atrás, pero las fuerzas de la acción de retroceso pueden ser controladas por el operario si toma las precauciones apropiadas.
- b) **Cuando la hoja está atascada o cuando se interrumpe un corte por cualquier razón, deje de pulsar el gatillo y sujete la sierra en el material hasta que la hoja se pare completamente. Nunca intente retirar la hoja de la pieza de trabajo ni tire de la sierra mientras la hoja está en movimiento o puede producirse una acción de retroceso.** Investigue y tome medidas correctivas para eliminar la causa del atasco de la hoja. Evite cortar clavos o tornillos.
- c) **Cuando vuelva poner en marcha una hoja en la pieza de trabajo, centre la hoja de la sierra en el corte y compruebe que los dientes de la sierra no estén enganchados en el material.** Si la hoja de la sierra está atascada, puede salirse o producir un acción de retroceso desde la pieza de trabajo cuando la sierra se vuelva a poner en marcha.
- d) **Soporte los paneles grandes para minimizar el riesgo de que la hoja se enganche y produzca una acción de retroceso.** Los paneles tienden a hundirse bajo su propio peso, por lo tanto deberían colocarse soportes debajo del panel en ambos lados, cerca de la

línea del corte y del borde del panel.

- e) **No utilice una hoja embotada o dañada.** Las hojas sin afilar o colocadas incorrectamente producen un corte estrecho que causa fricción excesiva, enganche y acción de retroceso en la hoja.
- f) **Las palancas de ajuste de profundidad y biselado de la hoja deben estar apretadas y seguras antes de realizar el corte.** Si el ajuste de la hoja cambia durante el corte, puede causar atascos y acción de retroceso en la hoja.
- g) **Vaya con cuidado extra cuando se cortan en paredes existentes u otras áreas ciegas.** La hoja que sobresale puede cortar objetos que pueden causar acción de retroceso.

## 1) FUNCIÓN DE LA GUARDA INFERIOR

- a) **Compruebe que la guarda inferior se cierre correctamente antes de cada utilización. No haga funcionar la sierra si la guarda inferior no se mueve libremente y no se cierra instantáneamente. No sujete nunca la guarda inferior en la posición de apertura.** Si la sierra cae accidentalmente, la guarda inferior puede doblarse. Desenchufe la herramienta, levante la guarda inferior con el asa de retracción y asegúrese de que se mueva libremente y que no haga contacto con la hoja ni ninguna otra pieza en todos los ángulos y profundidades de corte.
- b) **Compruebe el funcionamiento del resorte de la guarda inferior. Si la guarda y el resorte no funcionan correctamente, se les debe prestar servicio antes de utilizarlos.** Es posible que la guarda no funcione bien debido a piezas dañadas, acumulación de residuos pegajosos y otros desechos.
- c) **La guarda inferior debe retraerse manualmente solamente para cortes especiales como cortes profundos y cortes compuestos. Levante la guarda inferior retrayendo el asa y tan pronto como la hoja entre en el material, suelte la guarda inferior.** Para todos los otros tipos de serrado, la guarda inferior debería funcionar automáticamente.
- d) **Compruebe siempre que la guarda inferior cubra la hoja antes de colocar la sierra sobre un banco de trabajo o en el suelo.** Una hoja sin protección que no esté completamente parada puede desplazarse hacia atrás cortando todo lo que encuentre a su paso. Sea consciente del tiempo que la hoja tarda en pararse completamente después de que se ha dejado de pulsar el interruptor de activación.

## INSTRUCCIONES DE SEGURIDAD ADICIONALES

- Los picos de intensidad durante la conmutación causan un descenso transitorio de la tensión; si las condiciones en la red fuesen desfavorables, ello puede llegar a afectar a otros aparatos (con impedancias de red inferiores a 0,468 ohmios es muy improbable que se produzcan perturbaciones); si usted necesita alguna aclaración, contacte con su proveedor de energía eléctrica

## GENERAL

- Esta herramienta no debe utilizarse por personas menores de 16 años
- Esta herramienta no es adecuada para hacer cortes con agua

- **Desenchufar siempre la herramienta antes de realizar cualquier ajuste o cambiar algún accesorio**
- Nunca utilice la herramienta si el cable está dañado; debe ser sustituido por un cable especialmente preparado disponible a través de la organización de asistencia.
- **No trabaje materiales que contengan amianto** (el amianto es cancerígeno)
- El polvo del material, como la pintura que contiene plomo, algunas especies de madera, minerales y metal podrían ser dañinos (el contacto o inhalación del polvo podría producir reacciones alérgicas y trastornos respiratorios al operador o a otras personas que se encontrasen en la zona); **utilice una máscara contra el polvo y trabaje con un dispositivo de extracción de polvo cuando lo conecte**
- Ciertos tipos de polvo están catalogados como cancerígenos (por ejemplo el polvo de roble y de haya) especialmente junto con aditivos para el acondicionamiento de la madera; **utilice una máscara contra el polvo y trabaje con un dispositivo de extracción de polvo cuando lo conecte**
- Siga la normativa nacional en cuanto a extracción de polvo, en función de los materiales que vayan a ser utilizados
- Use únicamente mesas de serrar provistas de un interruptor que prevenga el arranque del motor desués de que se interrumpa la corriente
- Use únicamente mesas de serrar provistas de una guía de corte

#### ACCESORIOS

- SKIL únicamente puede garantizar un funcionamiento correcto de la herramienta al emplear accesorios originales
- Únicamente use hojas de sierra con las características indicadas en estas instrucciones de manejo que hayan sido ensayadas y vayan marcadas conforme a EN 847-1
- Utilice únicamente accesorios cuyo límite de revoluciones permitido sea como mínimo igual a las revoluciones en vacío máximas de la herramienta
- Utilice únicamente hojas de sierra con un diámetro mínimo de 184 mm, un diámetro máximo de 184 mm y un orificio para el eje de 16 mm (**5820**)
- Utilice únicamente hojas de sierra con un diámetro mínimo de 190 mm, un diámetro máximo de 190 mm y un orificio para el eje de 16 mm (**5830**)
- No utilice nunca hojas de sierras de HSS
- Nunca utilice discos de amolar/tronzar con esta herramienta

#### ANTES DEL USO

- Compruebe siempre que la tensión de alimentación es la misma que la indicada en la placa de características de la herramienta
- Evite los daños que puedan causar los tornillos, clavos y otros objetos sobre la pieza de trabajo; retírelos antes de empezar a trabajar
- Antes de empezar a cortar, aparte todos los obstáculos que haya encima y debajo de la línea de corte
- **Asegure la pieza de trabajo** (una pieza de trabajo fijada con unos dispositivos de sujeción o en un tornillo de banco, se mantiene sujeta de forma mucho más segura que con la mano)
- **Utilice aparatos de detección adecuados para localizar posibles conductores o tuberías ocultas, o consulte a su compañía abastecedora** (el

contacto con conductores eléctricos puede provocar una descarga eléctrica e incluso un incendio; al dañar una tubería de gas puede producirse una explosión; la perforación de una tubería de agua pueden causar daños materiales o una descarga eléctrica)

- Utilice cables de extensión seguros y completamente desarrollados con una capacidad de 16 amperios

#### DURANTE EL USO

- El nivel de ruido, con la herramienta trabajando, podrá sobrepasar 85 dB(A); usar protectores auditivos
- Nunca utilice su herramienta sin la capa de protección original sistemática
- No intente cortar piezas extremadamente pequeñas
- No trabaje con herramientas a una altura por encima de la cabeza
- En caso de bloqueo o de un mal funcionamiento eléctrico o mecánico, desconectar la herramienta inmediatamente y sacar el enchufe del contacto
- Si llega a dañarse o cortarse el cable eléctrico durante el trabajo, no tocar el cable, sino extraer inmediatamente el enchufe de la red

#### DESPUÉS DEL USO

- Ponga atención al guardar su herramienta de que el motor esté apagado y las partes móviles se hayan detenido por completo
- Al desconectar su sierra circular, nunca frene la rotación de la hoja empujando algo contra ella lateralmente

#### EXPLICACIÓN DE LOS SÍMBOLOS DE LA HERRAMIENTA

- ③ Lea el manual de instrucciones antes de utilizarla
- ④ Doble aislamiento (no requiere cable de tierra)
- ⑤ No deseché la herramienta junta con los residuos domésticos

#### USO

- Montaje de la hoja de sierra ②
  - ! **desenchufar la herramienta**
  - coger la llave de la hoja T del depósito V
  - pulse el botón de cierre de husillo C y manténgalo pulsado mientras quita el tornillo de hoja D con la llave de la hoja T
  - ! **apriete el botón de cierre de husillo C solamente cuando la herramienta se haya detenido**
  - suelte el botón de cierre de husillo C
  - retire la brida E
  - ! **asegúrese de que las superficies de enganche H de las bridas estén perfectamente limpias y estén encaradas a la hoja**
  - abra la guarda inferior F con la palanca G y sujétela mientras monta la hoja de sierra con los dientes de la sierra y la flecha impresa en la hoja apuntando en la misma dirección que la flecha mostrada en la guarda superior
  - suelte la guarda inferior F
  - monte la brida E
  - pulse el botón de cierre de husillo C y manténgalo pulsado mientras aprieta el tornillo de la hoja con la llave de la hoja dando 1/8 de giro después de que esté apretado al máximo con los dedos (asegura que la hoja de sierra resbale si encuentra excesiva resistencia, y evita que el motor se sobrecargue y la sierra retroceda)
  - suelte el botón de cierre de husillo C

- Ajuste de la profundidad de corte ⑥
  - para obtener una óptima calidad de corte, la hoja no debe de profundizar más de 3 mm en la pieza de trabajo
  - aflojar el botón J
  - levantar/bajar la base K hasta la profundidad de corte deseada, que se encuentra indicada en la escala, usando para ello el indicador L
  - apretar el botón J
- Ajuste del ángulo de corte (0-50°) ⑦
  - aflojar el botón M
  - inclinar la herramienta hasta el ángulo de corte deseado, que se encuentra indicado en la escala, usando para ello el indicador N
  - apretar el botón M

**! para cortes biselados, la profundidad de corte se corresponde con el valor en la escala de profundidad de corte**
- Comprobación del ángulo de corte a 90° ⑦
  - ajustar la base K para una máxima profundidad de corte ⑥
  - ajustar el ángulo de corte a 0°
  - comprobar el ángulo de corte de 90° entre la hoja y la base con un cartabón
  - si es necesario un ajuste, desapriete el botón M, e utilice el tornillo de ajuste P como muestra la figura
- Visor ajustable de la línea de corte Q ⑧
  - para guiar la herramienta a lo largo de la línea de corte deseada, márquela en la pieza de trabajo
  - para un corte recto de 0° o para biselar a 45°, use el indicador de la línea adecuado

**! la parte ancha de la base debe de reposar en el soporte de la pieza de trabajo**

  - se puede ajustar para conseguir la alineación con hojas de diferente anchura, pudiendo ocurrir, sin embargo, que un lado de la hoja no quede alineado, en cuyo caso es preciso decidir si el material a desechar es el del lado interior o el del exterior de la hoja ⑧

**! la anchura de corte viene determinada por el ancho de los dientes de la hoja y no por el ancho del cuerpo de la sierra**

**! realice siempre cortes de prueba para verificar la línea actual de corte**
- Aspiración de polvo
  - monte el aspirador a la extensión Y ⑨

**! nunca permita que la media del aspirador interfiera con la chapa protectora o con la operación de corte**
- Utilización de la herramienta ⑨
  - enchufar a la red
  - siempre mantener la empuñadura R firmemente con una mano y la empuñadura S firmemente con la otra mano
  - colocar la herramienta con la parte delantera de la misma tendida sobre la pieza de trabajo

**! asegúrese de que los dientes de la hoja no estén encañados en la pieza de trabajo**

  - poner en marcha su herramienta primero apretando el botón B (= interruptor de seguridad que no puede bloquearse) y luego tirando del gatillo A

**! la herramienta debe funcionar a la velocidad máxima antes de que la hoja penetre en la pieza de trabajo**

- la chapa protectora F se abre automáticamente cuando la hoja de sierra penetra en la pieza de trabajo (abrir la chapa protectora manualmente con la palanca G solamente para cortes particulares como cortes de emersión)

**! no fuerce la herramienta (aplique una presión ligera y continua para evitar que se recalienten las puntas de las hojas y, en caso de estar cortando plásticos, que se funda el material plástico)**

**! durante el trabajo, sujete siempre la herramienta por la(s) zona(s) de empuñadura de color gris**

- después de haber realizado el corte, pare su herramienta soltando el gatillo A

**! asegúrese de que la hoja esté completamente parada antes de levantar la herramienta de la pieza de trabajo**

## CONSEJOS DE APLICACIÓN

- Poner siempre el lado bueno de la pieza de trabajo hacia abajo, para asegurar un mínimo astillado
- Utilice únicamente hojas de sierra afiladas del modelo adecuado ⑩
  - cuantos más dientes, más alisado el corte
  - hojas de sierra con dientes de metal duro (Widia) se mantienen 30 veces más afiladas que las hojas normales
- Guía paralela Z ⑪
  - para hacer cortes exactos a lo largo de una esquina de la pieza de trabajo
  - puede insertarse en ambos lados de la base

Ajuste de la guía paralela

  - aflojar el botón AA
  - ajuste a la anchura del corte deseado, utilizando la escala de la guía paralela (utilice el visor de la línea de corte Q como referencia 0)
  - apretar el botón AA
- Cortes de inmersión ⑫
  - fijar la profundidad de corte deseada
  - incline la herramienta hacia adelante con el visor de la línea de corte Q alineado con la línea de corte deseada y marcada en la pieza de trabajo
  - abrir la guarda inferior F con la palanca G
  - justo antes de que la sierra penetre en la pieza de trabajo, desvíe la herramienta y baje gradualmente la parte delantera de la herramienta, usando el frontal de la base como punto de apoyo
  - mover la herramienta gradualmente, tanto hacia abajo, como hacia adelante
  - tan pronto como la hoja entre en el material, suelte la palanca G

**! nunca empuje la herramienta hacia atrás**
- Cortar tableros largos ⑬
  - sostener el tablero, bien en el suelo, mesa o banco de trabajo

**! fijar la profundidad de corte de tal manera, que usted pueda cortar a través del tablero y no a través del soporte**

  - en el caso de que la guía paralela no permita la anchura de corte deseada, empalme o clave una pieza de madera recta a la pieza de trabajo como guía, y use la parte derecha de la base contra esta guía

## MANTENIMIENTO / SERVICIO

- Esta herramienta no está concebida para uso profesional
- Mantenga limpio el cable eléctrico y la herramienta (sobre todo las ranuras de ventilación AB)  
**! desenchufar la herramienta antes de limpiar**
- Mantenga siempre limpia el área alrededor de la guarda inferior F ② (quite el polvo y las virutas soplando con aire comprimido o con un cepillo)
- Limpie la hoja de sierra después de cada uso (especialmente de resina y cola)
- Si a pesar de los esmerados procesos de fabricación y control, la herramienta llegase a averiarse, la reparación deberá encargarse a un servicio técnico autorizado para herramientas eléctricas SKIL
  - envíe la herramienta **sin desmontar** junto con una prueba de su compra a su distribuidor o a la estación de servicio más cercana de SKIL (los nombres así como el despiece de piezas de la herramienta figuran en [www.skil.com](http://www.skil.com))
- Tenga presente que los daños debido a sobrecargas o al manejo inadecuado de la herramienta serán excluidos de la garantía (consulte las condiciones de garantía de SKIL en [www.skil.com](http://www.skil.com) o consulte a su distribuidor)

## AMBIENTE

- **No deseche las herramientas eléctricas, los accesorios y embalajes junto con los residuos domésticos** (sólo para países de la Unión Europea)
  - de conformidad con la Directiva Europea 2012/19/CE sobre residuos de aparatos eléctricos y electrónicos y su aplicación de acuerdo con la legislación nacional, las herramientas eléctricas cuya vida útil haya llegado a su fin se deberán recoger por separado y trasladar a una planta de reciclaje que cumpla con las exigencias ecológicas
  - símbolo ⑤ llamará su atención en caso de necesidad de tirarlas

## RUIDOS / VIBRACIONES

- Realizando mediciones según EN 62841, el nivel de presión acústica de esta herramienta es 97,0 dB(A) y el nivel de potencia acústica es de 108,0 dB(A) (incertidumbre K = 3 dB), y la vibración \* (suma vectorial triaxial; incertidumbre K = 1,5 m/s<sup>2</sup>)
    - \* aserrado de madera 4,0 m/s<sup>2</sup>
    - \* aserrado de metal 2,8 m/s<sup>2</sup>
  - El nivel de emisión de vibraciones ha sido medido según una prueba estándar proporcionada en EN 62841; puede utilizarse para comparar una herramienta con otra y como valoración preliminar de la exposición a las vibraciones al utilizar la herramienta con las aplicaciones mencionadas
    - al utilizarla para distintas aplicaciones o con accesorios diferentes o con un mantenimiento deficiente, podría **augmentar** de forma notable el nivel de exposición
    - en las ocasiones en que se apaga la herramienta o cuando está funcionando pero no está realizando ningún trabajo, se podría **reducir** el nivel de exposición de forma importante
- ! protéjase contra los efectos de la vibración realizando el mantenimiento de la herramienta y**

**sus accesorios, manteniendo sus manos calientes y organizando sus patrones de trabajo**

**NOM**



P

## Serra circular

5820/5830

## INTRODUÇÃO

- A ferramenta é determinada para realizar em madeira, cortes longitudinais e transversais com decurso de corte recto e ângulo de chanfradura de 50°; com as respectivas lâminas de serra, também é possível serrar metais não ferrosos, materiais leves e plásticos
- Esta ferramenta não se destina a utilização profissional
- Leia e guarde este manual de instruções ③

## DADOS TÉCNICOS ①

## ELEMENTOS DA FERRAMENTA ②

- A Gatilho
- B Interruptor de segurança
- C Botão de bloqueio do veio
- D Parafuso da lâmina
- E Flange
- F Guarda inferior
- G Alavanca para abertura da guarda inferior
- H Superfície de fixação
- J Botão para ajustar a profundidade de corte
- K Plataforma
- L Indicador de profundidade de corte
- M Botão de ajuste do ângulo de corte
- N Indicador do ângulo de corte
- P Parafuso para ajuste de 90° de paragem
- Q Visor da linha da serra
- R Punho posterior
- S Punho frontal
- T Chave da lâmina
- V Alojamento para chave da lâmina
- W Expulsão de aparas
- Y Adaptador para aspirador
- Z Guia paralela
- AA Botão de ajuste da divisória
- AB Aberturas de ventilação

## SEGURANÇA

### INDICAÇÕES GERAIS DE SEGURANÇA PARA FERRAMENTAS ELÉTRICAS

**⚠ AVISO Leia todos os avisos de segurança, instruções, ilustrações e especificações fornecidas com esta ferramenta eléctrica. O incumprimento de todas as instruções enumeradas abaixo poderá resultar em choque eléctrico, incêndio e/ou lesão grave.**

## **Guarde bem todas as advertências e instruções para futura referência.**

O termo “ferramenta eléctrica” utilizado a seguir nas indicações de advertência, refere-se a ferramentas eléctricas operadas com corrente de rede (com cabo de rede) e a ferramentas eléctricas operadas com acumulador (sem cabo de rede).

### **1) SEGURANÇA DA ÁREA DE TRABALHO**

- a) **Mantenha a sua área de trabalho limpa e arrumada.** Desordem ou áreas de trabalho com fraca iluminação podem causar acidentes.
- b) **Não trabalhar com a ferramenta eléctrica em áreas com risco de explosão, nas quais se encontrem líquidos, gases ou pós inflamáveis.** Ferramentas eléctricas produzem faíscas que podem provocar a ignição de pó e vapores.
- c) **Mantenha crianças e outras pessoas afastadas da ferramenta eléctrica durante o trabalho com a ferramenta.** Distracções podem causar a falta de controlo sobre o aparelho.

### **2) SEGURANÇA ELÉTRICA**

- a) **As fichas das ferramentas eléctricas devem caber na tomada. A ficha não deve ser modificada de modo algum. Não utilize quaisquer fichas de adaptação junto com ferramentas eléctricas ligadas à terra.** Fichas sem modificações e tomadas adequadas reduzem o risco de choques eléctricos.
- b) **Evite que o corpo entre em contacto com superfícies ligadas à terra, como por exemplo tubos, radiadores, fogões e geladeiras.** Há um risco elevado de choques eléctricos, caso o corpo for ligado à terra.
- c) **A ferramenta eléctrica não deve ser exposta à chuva nem humidade.** A penetração de água na ferramenta eléctrica aumenta o risco de choques eléctricos.
- d) **O cabo do aparelho não deve ser utilizado para o transporte, para pendurar o aparelho, nem para puxar a ficha da tomada. Mantenha o cabo afastado de calor, óleo, cantos afiados ou partes em movimento do aparelho.** Cabos danificados ou torcidos aumentam o risco de choques eléctricos.
- e) **Ao trabalhar com a ferramenta eléctrica ao ar livre, use um cabo de extensão apropriado para áreas externas.** O uso de um cabo apropriado para áreas externas reduz o risco de choques eléctricos.
- f) **Se não for possível evitar o funcionamento da ferramenta eléctrica em áreas húmidas, deverá ser utilizado um disjuntor de corrente de avaria.** A utilização de um disjuntor de corrente de avaria reduz o risco de um choque eléctrico.

### **3) SEGURANÇA DE PESSOAS**

- a) **Esteja alerta, observe o que está a fazer, e tenha prudência ao trabalhar com a a ferramenta eléctrica. Não use a ferramenta eléctrica se estiver fatigado ou sob a influência de drogas, álcool ou medicamentos.** Um momento de falta de atenção durante a operação da ferramenta eléctrica pode causar graves lesões.
- b) **Utilizar equipamento de protecção pessoal e sempre óculos de protecção.** A utilização de equipamento de protecção pessoal, como máscara

de protecção contra pó, sapatos de segurança antiderrapantes, capacete de segurança ou protecção auricular, de acordo com o tipo e aplicação da ferramenta eléctrica, reduz o risco de lesões.

- c) **Evitar uma colocação em funcionamento involuntária. Assegure-se de que a ferramenta eléctrica esteja desligada, antes de conectá-la à alimentação de rede e/ou ao acumulador, antes de levantá-la ou de transportá-la.** Se tiver o dedo no interruptor ao transportar a ferramenta eléctrica ou se o aparelho for conectado à alimentação de rede enquanto estiver ligado, poderão ocorrer acidentes.
  - d) **Remover chaves de ajustes ou chaves de fenda, antes de ligar a ferramenta eléctrica.** Uma chave de fenda ou chave de ajuste que se encontre numa parte móvel do aparelho, pode levar a lesões.
  - e) **Não se sobrestime. Mantenha uma posição firme e mantenha sempre o equilíbrio.** Desta forma poderá ser mais fácil controlar o aparelho em situações inesperadas.
  - f) **Use roupa apropriada. Não use roupa larga ou jóias. Mantenha os cabelos e roupas afastados de partes em movimento.** Roupas largas, jóias ou cabelos longos podem ser agarradas por partes em movimento.
  - g) **Se for prevista a montagem de dispositivos de aspiração de pó e de dispositivos de recolha, assegure-se de que estão conectados e que sejam utilizados de forma correcta.** A utilização de uma aspiração de pó pode reduzir o perigo devido ao pó.
  - h) **Não deixe que a familiaridade resultante de uma utilização frequente de ferramentas permita que você se torne complacente e ignore os princípios de segurança da ferramenta.** Uma acção descuidada pode causar ferimentos graves numa fração de segundo.
- ### **4) USO E TRATAMENTO DE FERRAMENTAS ELÉTRICAS**
- a) **Não sobrecarregue a ferramenta eléctrica. Use para o seu trabalho a ferramenta eléctrica correcta.** A ferramenta correcta realizará o trabalho de forma melhor e mais segura dentro da faixa de potência indicada.
  - b) **Não utilize a ferramenta eléctrica se o interruptor não puder ser ligado nem desligado.** Qualquer ferramenta eléctrica que não possa ser controlada através do interruptor de ligar-desligar, é perigosa e deve ser reparada.
  - c) **Puxar a ficha da tomada e/ou remover o acumulador, se amovível, antes de executar ajustes na ferramenta, de substituir acessórios ou de guardar a ferramenta.** Esta medida de segurança evita que a ferramenta eléctrica seja ligada acidentalmente.
  - d) **Guarde ferramentas eléctricas que não estiverem sendo utilizadas, for a do alcance de crianças. Não permita que o aparelho seja utilizado por pessoas não familiarizadas com o mesmo ou que não tenham lido estas instruções.** Ferramentas eléctricas são perigosas nas mãos de pessoas sem treinamento.
  - e) **Trate a ferramenta eléctrica e os acessórios com cuidado. Verifique se as partes móveis do aparelho funcionam perfeitamente e não emperram, se há peças quebradas ou danificadas, que possam influenciar o funcionamento do aparelho. Peças danificadas devem ser reparadas antes da utilização do aparelho.** Muitos acidentes tem como

causa uma manutenção insuficiente das ferramentas eléctricas.

- f) **Mantenha as ferramentas de corte sempre afiadas e limpas.** Ferramentas de cortes devidamente tratadas, com cantos afiados travam com menos frequência e podem ser controladas com maior facilidade.
- g) **Use a ferramenta eléctrica, os acessórios os bits da ferramenta etc., de acordo com estas instruções. Considere também as condições de trabalho e o trabalho a ser efectuado.** A utilização da ferramenta eléctrica para outros fins que os previstos, pode resultar em situações perigosas.
- h) **Mantenha os punhos e as superfícies de agarrar secas, limpas e livres de óleo e massa consistente.** Punhos e superfícies de agarrar escorregadias não permitem o manuseio e controlo seguros da ferramenta em situações inesperadas.

#### 5) SERVIÇO

- a) **A sua ferramenta eléctrica só deve ser reparada por pessoal qualificado e só devem ser colocadas peças sobressalentes originais.** Desta forma é assegurada a segurança da ferramenta eléctrica.

### ADVERTÊNCIAS DE SEGURANÇA PARA SERRAS CIRCULARES

#### 1) PROCEDIMENTOS DE SERRAR

- a) **PERIGO : As suas mãos não devem entrar na área de corte nem em contacto com a lâmina de serra. Segurar o punho adicional ou a carcaça do motor com a outra mão.** Se as mãos estiverem a segurar a serra, não poderão ser feridas pela lâmina de serra.
- b) **Não coloque a mão por baixo da peça de trabalho.** O sistema de protecção não o protege da lâmina por baixo da peça de trabalho.
- c) **Ajuste a profundidade de corte à espessura do material.** Deve estar visível abaixo do material menos do que um dente completo da lâmina de serra.
- d) **Jamais segurar a peça a ser serrada com a mão ou com a perna. Fixar a peça a ser trabalhada numa plataforma firme.** É importante fixar bem a peça a ser trabalhada, para minimizar o perigo de contacto com o corpo, de emperramento da lâmina de serra ou perda de controlo.
- e) **Segure a ferramenta eléctrica pelas superfícies de fixação isoladas, porque as lâminas de corte podem entrar em contacto com o cabo ou a instalação eléctrica** (as lâminas de corte em contacto com um fio "eléctrico" podem expor as peças metálicas da ferramenta eléctrica e pode originar um choque eléctrico no operador)
- f) **Quando estiver a serrar ao comprido, use sempre uma guia paralela.** A guia aumenta a exactidão do corte e reduz a possibilidade de a lâmina prender.
- g) **Sempre utilizar lâminas de serra do tamanho correcto e com orifício de admissão apropriado (p. ex. em forma de estrela ou redondo).** Lâminas de serra não apropriada para as peças de montagem da lâmina, funcionam desequilibradamente e levam à perda de controlo.
- h) **Nunca use anilhas ou parafusos da lâmina que estejam danificados ou que não sejam os adequados.** As anilhas e o parafuso da lâmina foram

especificamente concebidos para esta serra, tendo em vista um desempenho e uma segurança de utilização máximos.

#### 2) RESSALTO - CAUSAS E RESPECTIVOS AVISOS

- O ressalto é uma reacção súbita a uma lâmina presa ou desalinhada que faz com que a serra descontrolada saia da peça de trabalho e recue na direcção do operador
  - Quando o corte estreita a ponto de prender completamente a lâmina, esta pára e a reacção do motor faz recuar rapidamente a unidade na direcção do operador
  - Se a lâmina torcer ou perder o alinhamento no corte, os dentes de trás da lâmina podem penetrar na superfície superior da madeira fazendo com que a lâmina saia do corte e ressalte na direcção do operador
  - Um contra-golpe é a consequência de uma utilização incorrecta ou indevida da ferramenta eléctrica. Ele pode ser evitado por apropriadas medidas de cuidado, como descrito a seguir.
- a) **Mantenha a serra firmemente segura com ambas as mãos e posicione os braços para resistir à força do ressalto. Posicione o corpo de um dos lados da lâmina, e não na linha de corte da mesma.** Um ressalto poderá fazer com que a serra recue, no entanto, a força do ressalto pode ser controlada pelo operador, se forem tomadas as devidas precauções.
  - b) **Quando a lâmina começar a prender, ou quando interromper um corte por qualquer razão, solte o gatilho e mantenha a serra estacionária no material até a lâmina parar completamente. Nunca tente retirar a serra da peça ou puxá-la para trás com a lâmina em movimento, caso contrário poderá ocorrer um ressalto.** Investigue e tome as medidas de correcção necessárias para evitar que a lâmina prenda. evite cortar pregos ou parafusos.
  - c) **Quando voltar a colocar uma serra numa peça de trabalho, centre a lâmina da serra no corte e certifique-se de que os dentes da serra não estão enterrados no material.** Se a lâmina da serra estiver a prender, a serra poderá levantar ou ressaltar da peça quando for ligada.
  - d) **Apóie painéis grandes para minimizar o risco de a lâmina prender e a serra ressaltar.** Os painéis grandes tendem a cair sob o seu próprio peso. Devem ser colocados apoios sob o painel de ambos os lados, junto à linha de corte e junto ao rebordo do painel.
  - e) **Não use uma lâmina que esteja cega ou danificada.** Lâminas não afiadas ou incorrectamente montadas produzem um corte estreito, provocando fricção excessiva, fazendo com que a lâmina prenda e a serra ressalte.
  - f) **As alavancas de definição da profundidade da lâmina e de ajuste do ângulo têm de estar bem fixas antes de se iniciar o corte.** Se o ajuste da lâmina se alterar durante o corte, isso pode fazer com que a lâmina prenda e a serra ressalte.
  - g) **Tenha extremamente cuidado ao serrar em paredes existentes ou em outras superfícies, onde não é possível reconhecer o que há por detrás.** Ao imergir, a lâmina de serra pode ser bloqueada por objectos escondidos e causar um ressalto.
- #### 1) FUNÇÃO DA PROTECÇÃO INFERIOR
- a) **Certifique-se de que a protecção inferior fecha**



**devidamente antes de cada utilização. Não utilize a serra caso a protecção inferior não funcione livremente nem feche instantaneamente. Nunca aperte nem prenda a protecção inferior aberta.** Se deixar cair a serra por acidente, a protecção inferior poderá ficar deformada. Desligue a ferramenta da fonte de corrente, levante a protecção inferior com a pega retráctil e certifique-se de que funciona livremente e não toca na lâmina nem em qualquer outra peça, qualquer que seja o ângulo ou a profundidade do corte.

- b) **Verifique o funcionamento da mola da protecção inferior. Se a protecção e a mola não estiverem a funcionar correctamente, deverá ser feito o serviço à ferramenta antes da utilização.** A protecção inferior poderá ter um funcionamento lento em consequência de peças danificadas, depósitos viscosos ou acumulação de detritos.
- c) **A protecção inferior deve ser retraída manualmente apenas para cortes especiais como cortes profundos e cortes compostos. Levante a protecção inferior retraindo a pega e assim que a lâmina penetrar no material a protecção inferior deverá ser libertada.** Para todos os outros tipos de serração, a protecção inferior deve funcionar automaticamente.
- d) **Certifique-se sempre de que a protecção inferior está a cobrir a lâmina antes de baixar a serra sobre a bancada ou o chão.** Uma lâmina desprotegida a funcionar por inércia fará com que a serra recue, cortando o que estiver na sua direcção. Tenha em conta o tempo que a lâmina leva a parar depois de libertado o interruptor.

## ADVERTÊNCIAS DE SEGURANÇA ADICIONAIS

- Os processos de ligação causam durante pouco tempo reduções de tensão; no caso de condições de rede desfavoráveis, podem ocorrer impedimentos devido a outros aparelhos (no caso de impedâncias de rede inferiores a 0,468 ohms não é de se esperar quaisquer interferências); se necessita de algum esclarecimento adicional, contacte o seu fornecedor de energia eléctrica

### GENERAL

- Esta ferramenta não deve ser utilizada por pessoas menores de 16 anos
- Esta ferramenta não é aconselhada para cortar com água
- Desligue sempre a ficha da tomada antes de proceder a qualquer ajustamento ou troca de acessório**
- Nunca use a ferramenta se o cabo estiver danificado; este tem de ser substituído por um cabo especialmente preparado disponível através da organização de assistência.
- Não processar material que contenha asbesto** (asbesto é considerado como sendo cancerígeno)
- O pó do material, como tinta com chumbo, algumas espécies de madeira, minerais e metais, pode ser prejudicial (contacto ou inalação do pó pode provocar reacções alérgicas e/ou doenças respiratórias ao operador ou às pessoas presentes); **use máscara respiratória e trabalhe com um dispositivo de extracção de pó quando ligado a**
- Determinados tipos de pó são classificados como substâncias cancerígenas (como pó de carvalho

e faia), em especial, juntamente com aditivos para acondicionamento da madeira; **use máscara respiratória e trabalhe com um dispositivo de extracção de pó quando ligado a**

- Siga o regulamento nacional quanto a extracção de pó, em função dos materiais que vão ser utilizados
- Apenas utilize mesas de serrar munidas de interruptor de voltagem que previna o reiniciar do motor depois de interrupção de voltagem
- Apenas utilize mesas de serrar munidas de guia de corte

### ACESSÓRIOS

- A SKIL só pode garantir um funcionamento perfeito da ferramenta, quando utilizada com os acessórios originais
- Só utilizar lâminas de serra que correspondam aos dados característicos indicados nesta instrução de serviço e que sejam controlados conforme EN 847-1 e respetivamente marcados
- Utilize apenas acessórios com um número de rotação admissível no mínimo tão alto como o mais alto número de rotação em vazio da ferramenta
- Utilize apenas lâminas com um diâmetro mínimo de 184 mm, um diâmetro máximo de 184 mm e um orifício do veio de 16 mm (**5820**)
- Utilize apenas lâminas com um diâmetro mínimo de 190 mm, um diâmetro máximo de 190 mm e um orifício do veio de 16 mm (**5830**)
- Nunca utilize lâminas para serras em HSS
- Nunca utilize discos de rebarbe/corte com esta ferramenta

### ANTES DA UTILIZAÇÃO

- Certifique-se sempre de que a tensão de alimentação está de acordo com a tensão indicada na placa de identificação da ferramenta
- Evite danificar a ferramenta em superfícies com pregos ou parafusos; remova-os antes de começar a trabalhar
- Retire todos os obstáculos que se encontram no topo superior e na parte inferior da peça a cortar antes de iniciar o trabalho
- Fixe a peça de trabalho** (uma peça de trabalho fixa com dispositivos de fixação ou num torno fica melhor fixa do que manualmente)
- Utilizar detectores apropriados para detectar tubos e cabos de alimentação escondidos, ou consulte a firma de alimentação local** (o contacto com um cabo eléctrico pode levar a incêndio e choque eléctrico; a danificação de um cano de gás pode levar à explosão; a penetração de uma tubulação de água provoca danos materiais ou pode provocar um choque eléctrico)
- Utilize extensões completamente desenroladas e seguras, com uma capacidade de 16 Amp

### DURANTE A UTILIZAÇÃO

- O nível de ruído durante o trabalho pode exceder 85 dB(A); utilize protectores auriculares
- Nunca utilize a ferramenta sem o sistema de protecção original
- Não tente cortar peças de trabalho extremamente pequenas
- Não trabalhe em suspensão com a ferramenta
- Em caso de bloqueio ou de anomalias eléctricas ou mecânicas, desligue imediatamente a ferramenta e a ficha da tomada
- Caso o fio for danificado ou cortado durante o trabalho, não toque no fio, mas tire imediatamente a ficha da tomada

### APÓS A UTILIZAÇÃO

- Quando guardar a ferramenta, deverá certificar-se que

o motor esta devidamente parado assim como todas as peças rotativas

- Depois de desligar a sua serra circular, nunca pare a rotação da lâmina exercendo pressão lateral sobre a mesma

## EXPLICAÇÃO DOS SÍMBOLOS DA FERRAMENTA

- ③ Leia o manual de instruções antes de utilizar o equipamento
- ④ Isolamento duplo (nenhum fio de terra necessário)
- ⑤ Não deite a ferramenta no lixo doméstico

## MANUSEAMENTO

- Montagem da lâmina da serra ②
  - ! **desligar da fonte de corrente**
  - tire a chave da lâmina T do alojamento V
  - pressione o botão C de fecho do veio e mantenha-o nessa posição, enquanto remove a porca da lâmina D com a chave da lâmina T
  - ! **pressione o botão C de fecho do veio somente quando a ferramenta estiver parada**
  - solte o botão C de fecho do veio
  - remova o anel E
  - ! **certifique-se que as superfícies de aperto dos anéis H estão perfeitamente limpas e em frente da lâmina**
  - abra a protecção inferior F com a alavanca G e mantenha-a nessa posição, enquanto monta a lâmina da serra com os dentes da serra e a seta imprimida na lâmina apontada na mesma direcção da seta da protecção superior
  - solte a protecção inferior F
  - aplique o anel E
  - pressione o botão C de fecho do veio e mantenha-o nessa posição, enquanto aperta a porca da lâmina com a chave da lâmina 1/8 de volta após ter apertado à mão (a lâmina patina quando encontra demasiada resistência reduzindo sobrecargas do motor e ressaltos da lâmina)
  - solte o botão C de fecho do veio
- Ajuste da profundidade de corte ⑥
  - para um corte de óptima qualidade a lâmina da serra não deverá exceder mais de 3 mm abaixo da peça de trabalho
  - solte o botão J
  - eleve/abaixe a base K até atingir na escala a profundidade de corte desejada utilizando o indicador L
  - aperte o botão J
- Ajuste do ângulo de corte (0-50°) ⑦
  - solte o botão M
  - incline a ferramenta até atingir na escala o ângulo de corte desejado utilizando o indicador N
  - aperte o botão M
  - ! **quando cortar de ângulo, a profundidade de corte não está de acordo com o valor indicado na escala de profundidade de corte**
- Verificação do ângulo de corte de 90° ⑦
  - ajuste e aperte a base K na profundidade de corte máxima ⑥
  - ajuste e aperte o ângulo de corte a 0°
  - verifique o ângulo de 90° com um esquadro entre a lâmina e o fundo da base

- se o ajuste for necessário, solte o botão M e utilize o parafuso de ajuste P conforme ilustrado
- Visor ajustável da linha de corte Q ⑧
  - para guiar a ferramenta ao longo da linha de corte marcada na peça a trabalhar
  - para um corte direito a 0° ou um corte de ângulo a 45° utilize a linha indicadora relativa

### ! a parte larga da base deve estar assente na parte apoiada da peça a trabalhar

- pode ser ajustado com alinhamento a várias larguras de lâminas, contudo é possível que um lado da lâmina não seja alinhado, então escolha se o material de desperdício deve estar no lado interior ou exterior da lâmina ⑧
- ! **o tamanho de corte é determinado pelo tamanho dos dentes da lâmina e não pelo tamanho do corpo da lâmina**
- ! **faça sempre cortes de ensaio para verificar a linha de corte**

- Aspiração de pó
  - aplique o aspirador à extensão Y ⑨
  - ! **nunca deixe que o tubo do aspirador interfere com a protecção inferior ou com a operação de corte**

- Utilização da ferramenta ⑩
  - ligue a ficha na tomada
  - sempre segure com firmeza o punho R com uma mão e o punho S com a outra mão
  - coloque a ferramenta com a parte frontal da base bem assente sobre na peça a trabalhar
  - ! **certifique-se que os dentes não estão em contacto com a peça a trabalhar**
  - ligue a ferramenta premindo primeiro o botão B (= interruptor de segurança que não pode ser trancado) e depois apertando o gatilho A

### ! a ferramenta deverá trabalhar na velocidade máxima, antes da lâmina da serra penetrar na peça a trabalhar

- a protecção inferior F abre automaticamente quando a lâmina da serra penetra na peça a trabalhar (abra a protecção inferior manualmente utilizando a alavanca G somente para cortes especiais tal como cortes verticais)

### ! não force a ferramenta (aplique uma pressão contínua e leve para evitar o sobreaquecimento das pontas das lâminas e, em plásticos de corte, o derretimento do material de plástico)

### ! durante o trabalho, segure sempre a ferramenta na(s) área(s) de fixação cinzenta(s)

- depois de completar o trabalho, desligue a ferramenta soltando o gatilho A

### ! certifique-se que a lâmina está completamente parada antes de retirar a ferramenta da peça a trabalhar

## CONSELHOS DE APLICAÇÃO

- Coloque sempre a peça a trabalhar com a face virada para baixo assegurando assim o mínimo de estilhaçamento
- Use sempre lâminas da serra devidamente afiadas e do tipo correcto ⑩
  - a qualidade de corte melhora consoante o número de dentes

- lâminas c/ pastilhas Widia mantêm-se afiadas 30 vezes mais do que as lâminas normais
- Guia paralela Z ⑪
  - para fazer cortes exactos ao longo do bordo lateral da peça a trabalhar
  - pode ser introduzida em qualquer dos lados da base
- Ajuste da guia paralela
  - solte o botão AA
  - ajuste a largura de corte desejada com a escala da guia paralela (use o visor da linha de corte Q como referência 0)
  - aperte o botão AA
- Corte vertical ⑫
  - regule a profundidade de corte desejada
  - incline a ferramenta para a frente com o visor da linha de corte Q alinhado com a linha de corte desejada marcada na peça a trabalhar
  - abra a protecção inferior F com a alavanca G
  - antes da lâmina penetrar na peça a trabalhar, ligue a ferramenta e gradualmente baixe o dorso da ferramenta utilizando a parte frontal da base como ponto de dobradiça
  - gradualmente incline a ferramenta para baixo e ao mesmo tempo para a frente
  - assim que a lâmina penetrar no material, solte a alavanca G
- ! **nunca puxe a ferramenta para trás**
- Corte de grandes painéis ⑬
  - apoia o painel próximo do corte no chão, na mesa ou na bancada de trabalho
- ! **ajuste a profundidade de corte de modo a cortar a través do painel e não a través do apoio**
  - caso o guia paralela não permita a largura de corte desejado, fixe uma tira de madeira sobre a peça a trabalhar como um guia, e conduza o lado direito da ferramenta contra esta guia

## MANUTENÇÃO / SERVIÇO

- Esta ferramenta não se destina a utilização profissional
- Mantenha a ferramenta e o fio sempre limpos (especialmente as ranhuras de respiração AB)
- ! **desligar a ferramenta da fonte de corrente antes de limpar**
- Mantenha sempre a área à volta da guarda inferior F ② limpa (retire o pó e as lascas, soprando com ar comprimido ou uma escova)
- Limpe a lâmina logo após a sua utilização (especialmente de resina ou cola)
- Se a ferramenta falhar apesar de cuidadosos processos de fabricação e de teste, a reparação deverá ser executada por uma oficina de serviço autorizada para ferramentas eléctricas SKIL
  - envie a ferramenta **sem desmontar**, juntamente com a prova de compra, para o seu revendedor ou para o centro de assistência SKIL mais próximo (os endereços assim como a mapa de peças da ferramenta estão mencionados no [www.skil.com](http://www.skil.com))
- Não se esqueça de que os danos provocados por sobrecarga ou manuseamento incorrecto da ferramenta estão excluídos da garantia (para mais informações sobre as condições da garantia da SKIL, consulte [www.skil.com](http://www.skil.com) ou pergunte ao seu revendedor)

## AMBIENTE

- **Não deite ferramentas eléctricas, acessórios e embalagem no lixo doméstico** (apenas para países da UE)
  - de acordo com a directiva europeia 2012/19/CE sobre ferramentas eléctricas e electrónicas usadas e a transposição para as leis nacionais, as ferramentas eléctricas usadas devem ser recolhidas em separado e encaminhadas a uma instalação de reciclagem dos materiais ecológica
  - símbolo ⑤ lhe avisará em caso de necessidade de arranjar-las

## RUÍDO / VIBRAÇÃO

- O nível de pressão sonora desta ferramenta, medido de acordo com a EN 62841, é de 97,0 dB(A) e o nível de potência acústica é de 108,0 dB(A) (incerteza K = 3 dB), e a vibração \* (soma do vector triax; incerteza K = 1,5 m/s<sup>2</sup>)
  - \* serrar madeira 4,0 m/s<sup>2</sup>
  - \* serrar metal 2,8 m/s<sup>2</sup>
- O nível de emissão de vibrações foi medido de acordo com um teste normalizado fornecido na EN 62841; pode ser utilizado para comparar uma ferramenta com outra e como uma avaliação preliminar de exposição à vibração quando utilizar a ferramenta para as aplicações mencionadas
  - utilizar a ferramenta para diferentes aplicações ou com acessórios diferentes ou mantidos deficientemente, pode **aumentar** significativamente o nível de exposição
  - o número de vezes que a ferramenta é desligada ou quando estiver a trabalhar sem fazer nada, pode **reduzir** significativamente o nível de exposição
- ! **proteja-se contra os efeitos da vibração, mantendo a ferramenta e os acessórios, mantendo as mãos quentes e organizando os padrões de trabalho**

①

## Sega circolare

5820/5830

## INTRODUZIONE

- L'utensile è idoneo per l'esecuzione di tagli longitudinali e trasversali nel legno realizzando tagli diritti e tagli con angolazioni fino a 50°; utilizzando rispettive lame, è possibile tagliare anche metalli non ferrosi, materiali leggeri da costruzione e materiali artificiali
- Questo utensile non è inteso per un uso professionale
- Leggete e conservate questo manuale di istruzioni ③

## DATI TECNICI ①

## ELEMENTI UTENSILE ②

- A Grilletto
- B Interruttore di sicurezza
- C Tasto di bloccaggio dell'albero
- D Bullone della lama
- E Flangia
- F Protezione inferiore

- G Leva per aprire la protezione inferiore
- H Superficie di fermo
- J Manopola per regolare la profondità di taglio
- K Pedana
- L Indicatore della profondità di taglio
- M Manopola per la regolazione dell'angolo di taglio
- N Indicatore dell'angolo di taglio
- P Vite per regolazione a 90° dell'arresto
- Q Visore della linea di taglio
- R Impugnatura posteriore
- S Impugnatura anteriore
- T Chiave per lama
- V Alloggiamento chiave per lama
- W Espulsione trucioli
- Y Adattatore per aspirapolvere
- Z Guida parallela
- AA Manopola per la regolazione della guida parallela
- AB Feritoie di ventilazione

## SICUREZZA

### AVVERTENZE GENERALI DI PERICOLO PER ELETTROUTENSILI

**AVVERTENZA** Leggere tutte le avvertenze di sicurezza, istruzioni, illustrazioni e specifiche fornite con l'utensile. La mancata osservanza di tutte le istruzioni sottoelencate potrebbe causare delle scariche elettriche, principi d'incendio e/o gravi lesioni.

**Conservare tutte le avvertenze di pericolo e le istruzioni operative per ogni esigenza futura.**

Il termine "elettroutensile" utilizzato nelle avvertenze di pericolo si riferisce ad elettroutensili alimentati dalla rete (con linea di allacciamento) ed ad elettroutensili alimentati da batteria (senza linea di allacciamento).

#### 1) SICUREZZA DELLA POSTAZIONE DI LAVORO

- a) **Mantenere pulito ed ordinato il posto di lavoro.** Il disordine o le zone di lavoro non illuminate possono essere fonte di incidenti.
- b) **Evitare d'impiegare l'elettroutensile in ambienti soggetti al rischio di esplosioni nei quali si trovino liquidi, gas o polveri infiammabili.** Gli elettroutensili producono scintille che possono far infiammare la polvere o i gas.
- c) **Mantenere lontani i bambini ed altre persone durante l'impiego dell'elettroutensile.** Eventuali distrazioni potranno comportare la perdita del controllo sull'elettroutensile.

#### 2) SICUREZZA ELETTRICA

- a) **La spina per la presa di corrente dovrà essere adatta alla presa. Evitare assolutamente di apportare modifiche alla spina. Non impiegare spine adattatrici assieme ad elettroutensili con collegamento a terra.** Le spine non modificate e le prese adatte allo scopo riducono il rischio di scosse elettriche.
- b) **Evitare il contatto fisico con superfici collegate a terra, come tubi, riscaldamenti, cucine elettriche e frigoriferi.** Sussiste un maggior rischio di scosse

elettriche nel momento in cui il corpo è messo a massa.

- c) **Custodire l'elettroutensile al riparo dalla pioggia o dall'umidità.** L'eventuale infiltrazione di acqua in un elettroutensile va ad aumentare il rischio d'insorgenza di scosse elettriche.
  - d) **Non usare il cavo per scopi diversi da quelli previsti al fine di trasportare o appendere l'elettroutensile, oppure di togliere la spina dalla presa di corrente. Mantenere l'elettroutensile al riparo da fonti di calore, dall'olio, dagli spigoli o da pezzi in movimento.** I cavi danneggiati o aggrovigliati aumentano il rischio d'insorgenza di scosse elettriche.
  - e) **Qualora si voglia usare l'elettroutensile all'aperto, impiegare solo ed esclusivamente cavi di prolunga omologati per l'impiego all'esterno.** L'uso di un cavo di prolunga omologato per l'impiego all'esterno riduce il rischio d'insorgenza di scosse elettriche.
  - f) **Qualora non fosse possibile evitare di utilizzare l'elettroutensile in ambiente umido, utilizzare un interruttore di messa a terra.** L'uso di un interruttore di messa a terra riduce il rischio di una scossa elettrica.
- #### 3) SICUREZZA DELLE PERSONE
- a) **È importante concentrarsi su ciò che si sta facendo e a maneggiare con giudizio l'elettroutensile durante le operazioni di lavoro. Non utilizzare l'elettroutensile in caso di stanchezza o sotto l'effetto di droghe, bevande alcoliche e medicinali.** Un attimo di distrazione durante l'uso dell'elettroutensile potrà causare lesioni gravi.
  - b) **Indossare sempre equipaggiamento protettivo individuale. Usare sempre protezioni per gli occhi.** Se si avrà cura d'indossare equipaggiamento protettivo individuale come la maschera antipolvere, la calzatura antidistrucchiole di sicurezza, il casco protettivo o la protezione dell'udito, a seconda dell'impiego previsto per l'elettroutensile, si potrà ridurre il rischio di ferite.
  - c) **Evitare l'accensione involontaria dell'elettroutensile. Prima di collegarlo alla rete di alimentazione elettrica e/o alla batteria ricaricabile, prima di prenderlo oppure prima di iniziare a trasportarlo, assicurarsi che l'elettroutensile sia spento.** Tenendo il dito sopra l'interruttore mentre si trasporta l'elettroutensile oppure collegandolo all'alimentazione di corrente con l'interruttore inserito, si vengono a creare situazioni pericolose in cui possono verificarsi seri incidenti.
  - d) **Togliere gli attrezzi di regolazione o la chiave inglese prima di accendere l'elettroutensile.** Un elettroutensile o una chiave inglese che si trovino in una parte dell'elettroutensile in rotazione potranno causare lesioni.
  - e) **È importante non sopravvalutarsi. Avere cura di mettersi in posizione sicura e di mantenere l'equilibrio.** In tale maniera sarà possibile controllare meglio l'elettroutensile in situazioni inaspettate.
  - f) **Indossare vestiti adeguati. Evitare di indossare vestiti lenti o gioielli. Tenere capelli e vestiti lontani da parti in movimento.** Vestiti lenti, gioielli o capelli lunghi potranno impigliarsi in pezzi in movimento.
  - g) **Se sussiste la possibilità di montare dispositivi di aspirazione o di captazione della polvere, assicurarsi che gli stessi siano stati installati**

correttamente e vengano utilizzati senza errori.

L'utilizzo di un'aspirazione polvere può ridurre lo svilupparsi di situazioni pericolose dovute alla polvere.

- h) **Una volta presa confidenza con gli utensili, evitare di trascurare le norme di sicurezza.** Una mancanza di attenzione può causare gravi lesioni in una frazione di secondo.
- 4) MANEGGIO ED IMPIEGO ACCURATO DI ELETTROUTENSILI**
- a) **Non sovraccaricare l'elettrotroutensile. Impiegare l'elettrotroutensile adatto per sbrigare il lavoro.** Utilizzando l'elettrotroutensile adatto si potrà lavorare meglio e con maggior sicurezza nell'ambito della gamma di potenza indicata.
- b) **Non utilizzare elettrotroutensili con interruttori difettosi.** Un elettrotroutensile che non si può più accendere o spegnere è pericoloso e dovrà essere riparato.
- c) **Prima di procedere ad operazioni di regolazione sull'elettrotroutensile, prima di sostituire parti accessorie oppure prima di posare l'elettrotroutensile al termine di un lavoro, estrarre sempre la spina dalla presa della corrente e/o estrarre la batteria ricaricabile, se rimovibile.** Tale precauzione eviterà che l'elettrotroutensile possa essere messo in funzione inavvertitamente.
- d) **Custodire gli elettrotroutensili non utilizzati al di fuori della portata dei bambini. Non fare usare l'elettrotroutensile a persone che non sono abituate ad usarlo o che non abbiano letto le presenti istruzioni.** Gli elettrotroutensili sono pericolosi se utilizzati da persone inesperte.
- e) **Eeguire la manutenzione degli elettrotroutensili e degli accessori. Verificare che le parti mobili dell'elettrotroutensile funzionino perfettamente e non s'inceppino, che non ci siano pezzi rotti o danneggiati al punto tale da limitare la funzione dell'elettrotroutensile stesso. Far riparare le parti danneggiate prima d'impiegare l'elettrotroutensile.** Numerosi incidenti vengono causati da elettrotroutensili la cui manutenzione è stata effettuata poco accuratamente.
- f) **Mantenere affilati e puliti gli elettrotroutensili da taglio.** Gli elettrotroutensili da taglio curati con particolare attenzione e con taglianti affilati s'inceppano meno frequentemente e sono più facili da condurre.
- g) **Utilizzare elettrotroutensili, accessori, attrezzi, ecc. in conformità con le presenti istruzioni. Osservare le condizioni di lavoro ed il lavoro da eseguirsi durante l'impiego.** L'impiego di elettrotroutensili per usi diversi da quelli consentiti potrà dar luogo a situazioni di pericolo.
- h) **Mantenere impugnature e superfici di presa asciutte, pulite e prive di olio e grasso.** Impugnature e superfici di presa scivolose non consentono di manipolare e controllare l'utensile in caso di situazioni inaspettate.
- 5) ASSISTENZA**
- a) **Fare riparare l'elettrotroutensile solo ed esclusivamente da personale specializzato e solo impiegando pezzi di ricambio originali.** In tale maniera potrà essere salvaguardata la sicurezza dell'elettrotroutensile.

## AVVERTENZE DI SICUREZZA PER SEGHE CIRCOLARI

### 1) PROCEDURE DI TAGLIO

- a) **PERICOLO : Mai avvicinare le mani alla zona operativa e neppure alla lama di taglio. Utilizzare la seconda mano per afferrare l'impugnatura supplementare oppure la carcassa del motore.** Tenendo la sega con entrambe le mani si evita che la lama di taglio possa diventare un pericolo per le mani.
- b) **Non mettere le mani sotto il pezzo di lavorazione.** La protezione non può proteggere dalla lama al di sotto del pezzo di lavorazione.
- c) **Regolare la profondità di taglio a seconda dello spessore del materiale.** La lama deve sporgere sotto al pezzo da tagliare per un'altezza inferiore all'altezza del dente.
- d) **Non tenere mai con le mani il pezzo in lavorazione che si intende tagliare e non appoggiarlo neppure sulla gamba. Assicurare il pezzo in lavorazione su un supporto stabile.** Per ridurre al minimo possibile il pericolo di un contatto con il corpo, la possibilità di un blocco della lama di taglio oppure la perdita del controllo, è importante fissare bene il pezzo in lavorazione.
- e) **Tenere l'elettrotroutensile solo dalle superfici di impugnatura isolate, perché le lame di taglio potrebbe entrare a contatto con cavi nascosti oppure il proprio cavo** (le lame di taglio che entrano a contatto con un filo sotto tensione possono trasferire tensione alle parti metalliche esposte dell'elettrotroutensile e provocare una scossa elettrica all'operatore)
- f) **Quando si sega contro la fibra utilizzare un riparo di fibra oppure una guida con bordo dritto.** Questo riduce la possibilità d'inceppamento della lama.
- g) **Utilizzare sempre lame per sega che abbiano la misura corretta ed il foro di montaggio adatto (p. es. a stella oppure rotondo).** In caso di lame per sega inadatte ai relativi pezzi di montaggio, la rotazione non sarà perfettamente circolare e si crea il pericolo di una perdita del controllo.
- h) **Non usare mai rondelle o bulloni di lama errati o danneggiati.** Le rondelle ed i bulloni sono stati progettati appositamente per questa lama, onde ottenere le migliori prestazioni e sicurezza di funzionamento.

### 2) CONTRACCOLPO – CAUSE E RELATIVE AVVERTENZE

- Un contraccolpo è un'improvvisa reazione di una lama grippata, intasata o disallineata che causa la lama non controllata di sollevarsi e fuoriuscire dal pezzo di lavorazione verso l'operatore
  - Quando una lama è grippata o intasata dalla chiusura di un taglio, la lama si stalla e la reazione del motore retro aziona l'unità rapidamente verso l'operatore
  - Se la lama si storce o si disallinea nel taglio, i denti del bordo posteriore della lama possono affondarsi nella superficie superiore del legno causando la fuoriuscita della lama del taglio ed il salto verso l'operatore
  - Un contraccolpo è la conseguenza di un utilizzo non appropriato oppure non corretto dell'elettrotroutensile. Esso può essere evitato soltanto prendendo misure adatte di sicurezza come dalla descrizione che segue.
- a) **Mantenere una salda presa sulla sega con entrambe le mani e posizionare le braccia in modo da resistere le forze di contraccolpi. Posizionare il**

**corpo ad uno o l'altro lato della lama, ma non dietro alla lama.** Le forze di contraccolpi potrebbe causare un salto all'indietro della sega, ma possono essere controllate dall'operatore, se vengono prese le corrette precauzioni.

- b) **Quando la lama è intasata o quando si interrompe un taglio per qualsiasi ragione, rilasciare il grilletto e mantenere immobile la sega nel materiale fino a quando la lama si arresta completamente. Non tentare mai di rimuovere la sega dal lavoro o tirarla indietro mente la lama è in movimento poiché si potrebbe causare un contraccolpo.** Investigare e prendere le azioni rettifiche per eliminare la causa dell'intasamento della lama. Evitare di tagliare chiodi o viti.
  - c) **Quando si riavvia una sega nel pezzo di lavorazione, centrare la lama nel taglio e controllare che i denti della sega non siano ingaggiati nel materiale.** Se la lama della sega si intasa, potrebbe sollevarsi o causare un contraccolpo dal pezzo di lavorazione mentre la sega viene riavviata.
  - d) **Sostenere grandi pannelli per ridurre al minimo il rischio di ripiegare o di contraccolpo.** Grandi pannelli tendono a ripiegarsi sotto il proprio peso. È necessario mettere dei supporti dei supporti sotto il pannello ad entrambi i lati, vicino alla linea di taglio e vicino il bordo del pannello.
  - e) **Non utilizzare una lama smussata o danneggiata.** Lame non affilate o impostate male producono tagli stretti causando eccessiva frizione, intasamento e contraccolpo.
  - f) **La profondità della lama e la regolazione delle leve di bloccaggio della smussatura devono essere ferme e sicure prima di effettuare il taglio.** Se la regolazione della lama si sposta durante il taglio, si potrebbe verificare un'intasatura ed un contraccolpo.
  - g) **Procedere con particolare cautela effettuando tagli in pareti esistenti oppure in altri settori che non possono essere controllati.** Durante il taglio la lama di taglio che penetra in oggetti nascosti può bloccarsi e causare un contraccolpo.
- 1) **FUNZIONE DEL RIPARO INFERIORE**

- a) **Controllare che il riparo inferiore sia chiuso correttamente prima dell'uso. Non azionare la lama se il riparo inferiore non si muove liberamente e si chiude istantaneamente. Non serrare mai il riparo inferiore nella posizione aperta.** Se la sega cade accidentalmente, il riparo inferiore si potrebbe piegare. Estrarre la spina dalla presa, sollevare il riparo inferiore con la leva di ritorno ed assicurarsi che si muova liberamente e non tocchi la lama o qualsiasi altra parte, in tutti gli angoli e profondità del taglio.
- b) **Controllare il funzionamento della molla del riparo inferiore. Se il riparo e la molla non funzionano correttamente, bisogna effettuare la manutenzione prima dell'uso.** Il riparo inferiore potrebbe funzionare allentato a causa di parti danneggiate, depositi appiccicosi o ad un accumulo di detriti.
- c) **Il riparo inferiore deve essere reintro manualmente solamente per tagli speciali quali tagli a tuffo e tagli composti. Sollevare il riparo inferiore mediante la leva di ritorno ed appena la lama entra nel materiale, il riparo inferiore deve essere rilasciato.** Per tutti gli

altri tipi di taglio, il riparo inferiore dovrebbe funzionare automaticamente.

- d) **Osservare sempre che il riparo inferiore copra la lama prima di poggiare la sega su di un banco o sul pavimento.** Una lama non protetta, in movimento per inerzia causa il retro movimento della sega, tagliando tutto ciò che trova nel suo percorso. Fare attenzione al tempo che una lama impiega per arrestarsi dopo che l'interruttore viene rilasciato.

## ULTERIORI AVVERTENZE DI SICUREZZA

- Le operazioni di accensione producono temporanei abbassamenti di tensione; in caso di reti di alimentazioni che non siano in condizioni ottimali può capitare che altre macchine possono subire dei disturbi (in caso di impedenze di rete minori di 0,468 Ohm non ci si aspetta nessun disturbo); per ulteriori chiarimenti, contattare la vostra società fornitrice di energia elettrica

## NOTE GENERALI

- Questo utensile non dev'essere utilizzato da persone di età inferiore ai 16 anni
- Quest'utensile non può lavorare con acqua
- **Staccate sempre la spina dell'utensile prima di effettuare regolazioni o cambiare gli accessori**
- Non usare mai l'utensile se il cavo è danneggiato; sostituire con un cavo apposito disponibile presso i centri di assistenza.
- **Non lavorare mai materiali contenenti amianto** (l'amianto è ritenuto materiale cancerogeno)
- Le polveri di materiali come vernici contenenti piombo, alcune specie di legno, minerali e metallo possono essere nocive (il contatto con queste polveri o la loro inalazione possono causare reazioni allergiche e/o disturbi respiratori all'operatore o ad altre persone presenti sul posto); **indossare una maschera protettiva per la polvere e utilizzare un dispositivo per l'estrazione della polvere se è presente una presa di collegamento**
- Alcuni tipi di polvere sono classificati come cancerogeni (quali le polveri di quercia e faggio) specialmente se associate ad additivi per il trattamento del legno; **indossare una maschera protettiva per la polvere e utilizzare un dispositivo per l'estrazione della polvere se è presente una presa di collegamento**
- Rispettare le istruzioni nazionali riguardanti l'estrazione della polvere per i materiali in lavorazione
- Usate solo tavoli da taglio dotati di interruttori che impediscano il riavviamento automatico dopo un'interruzione di corrente
- Usate solo tavoli da taglio dotati di una guida di taglio

## ACCESSORI

- La SKIL garantisce un perfetto funzionamento dell'utensile soltanto se vengono utilizzati accessori originali
- Utilizzare esclusivamente lame per sega che corrispondono ai dati caratteristici indicati nelle presenti istruzioni d'uso, omologate secondo la norma EN 847-1 e munite della rispettivo contrassegno
- Utilizzate solo accessori il cui numero massimo di giri corrisponda almeno al massimo dei numeri di giri dell'utensile
- Utilizzare solo lame con un diametro minimo di 184 mm e massimo di 184 mm e con un diametro del foro di 16 mm (5820)

- Utilizzare solo lame con un diametro minimo di 190 mm e massimo di 190 mm e con un diametro del foro di 16 mm (5830)
- Mai utilizzate lame per sega in acciaio ad alta velocità (HSS)
- Non usare mai dischi da smeriglio/taglio con quest' utensile

#### PRIMA DELL'USO

- Controllare che la tensione dell'alimentazione sia la stessa di quella indicata sulla targhetta dell'utensile
- Evitate possibili danneggiamenti da viti e chiodi sporgenti; rimuoverli prima di iniziare la lavorazione
- Rimuovete tutti gli ostacoli sopra e sotto la linea di taglio prima di iniziare il lavoro
- **Fissare il pezzo da lavorare** (un pezzo in lavorazione rimane bloccato in posizione con maggiore sicurezza se fissato con appositi dispositivi di serraggio o con una morsa e non tenendolo con la mano)
- **Al fine di rilevare possibili linee di alimentazione nascoste, utilizzare adatte apparecchiature di ricerca oppure rivolgersi alla locale società erogatrice** (un contatto con linee elettriche può provocare lo sviluppo di incendi e di scosse elettriche; danneggiando linee del gas si può creare il pericolo di esplosioni; penetrando una tubazione dell'acqua si provocano seri danni materiali oppure vi è il pericolo di provocare una scossa elettrica)
- Usare cavi di prolunga completamente srotolati e sicure con una capacità di 16 Amp

#### DURANTE L'USO

- Durante le operazioni di lavoro il livello di rumorosità può superare 85 dB(A); utilizzare le cuffie di protezione
- Non usate mai l'utensile senza il suo sistema protettivo originale
- Non cercate di tagliare pezzi estremamente piccoli
- Lavorate solo su un piano orizzontale
- Nel caso l'utensile si blocchi o di cattivo funzionamento elettrico o meccanico, spegnete subito l'utensile e staccate la spina
- Se durante un'operazione di lavoro viene danneggiato oppure troncato il cavo, non toccare il cavo ma estrarre immediatamente la spina dalla presa

#### DOPO L'USO

- Quando riponete l'utensile accertatevi che non ci siano parti in movimento e che il motore sia spento
- Dopo lo spegnimento della sega circolare, non arrestate mai la rotazione della lama applicandovi una forza lateralmente

#### SPIEGAZIONE DEI SIMBOLI PRESENTI SULL'UTENSILE

- ③ Leggere il manuale di istruzioni prima dell'uso
- ④ Doppio isolamento (non è necessario alcun cavo di terra)
- ⑤ Non gettare l'utensile tra i rifiuti domestici

#### USO

- Montaggio della lama da sega ②
- ! **estrarre la spina dalla presa**
  - prendete la chiave per lama T dall'alloggiamento V
  - premete il pulsante C del blocco alberino e tenete premuto mentre rimuovete il bullone della lama D con la chiave per lama T
- ! **premete il pulsante C del blocco alberino soltanto quando l'utensile è a riposo**
  - rilasciate il pulsante C del blocco alberino
  - rimuovete la flangia E

#### ! assicurarsi che le superfici di fermo delle flange H siano perfettamente pulite e rivolte verso la lama

- aperte la protezione inferiore F con la leva G e tenetela aperta mentre si monta la lama con i suoi denti e freccia stampata sulla lama rivolti verso la stessa direzione della freccia sulla protezione superiore
- rilasciate la protezione inferiore F
- montate la flangia E
- premete il pulsante C e tenete premuto mentre serrate il bullone della lama con la chiave per lama di 1/8 di giro (assicura lo slittamento della lama nel caso in cui si presenti uno sforzo eccessivo nell'operazione di taglio, così diminuendo il sovraccarico del motore e il contraccolpo della sega)
- rilasciate il pulsante C del blocco alberino
- Regolazione della profondità di taglio ⑥
  - per una qualità di taglio ottimale la lama non dovrebbe uscire oltre 3 mm al di sotto del pezzo in lavorazione
  - allentare la manopola J
  - sollevate/abbassate il piede K fino alla profondità desiderata sulla scala utilizzando l'indicatore L
  - serrare la manopola J
- Regolazione dell'angolo di taglio (0-50°) ⑦
  - allentare la manopola M
  - capovolgete l'utensile fino all'angolo desiderato sulla scala utilizzando l'indicatore N
  - serrare la manopola M

#### ! con tagli obliqui la profondità di taglio non corrisponde al valore indicato sulla scala di profondità di taglio

- Controllo della perpendicolarità di taglio ⑦
  - regolate e serrate il piede K alla massima profondità di taglio ⑥
  - regolate e serrate l'angolo di taglio a 0°
  - controllate l'angolo di 90° tra lama e piede con una squadra
  - si è necessaria una regolazione, allentate la manopola M e utilizzate l'apposita vite P come illustrato
- Visore regolabile della linea di taglio Q ⑧
  - per guidare l'utensile sulla linea di taglio marcata sul pezzo in lavorazione
  - per tagli a 0° o 45° utilizzare la linea di taglio concernente

#### ! la più larga parte del piede deve poggiare sulla parte supportata del pezzo in lavorazione

- può essere regolata per allinearla a lame di diverse larghezze, tuttavia potrebbe succedere che un lato della lama non si allinei, in tal caso scegliere quale lato della lama sarà il materiale di scarto ③

#### ! la larghezza di taglio è determinata dalla larghezza dei denti della lama

#### ! effettuate sempre delle prove prima di procedere al taglio

- Aspirazione della polvere
  - montate l'aspirapolvere sulla prolunga Y ⑨
- ! **tenete lontano il tubo dell'aspirapolvere dalla protezione inferiore o dalla zona di taglio**
- Uso dell'utensile ⑨
  - inserite la spina nella presa di corrente
  - sempre tenete saldamente l'impugnatura R con una mano e l'impugnatura S con l'altra mano
  - collocate l'utensile con l'estremità frontale della base in posizione orizzontale sul pezzo in lavorazione

**! assicurarsi che la lama non tocchi il pezzo in lavorazione**

- accendete l'utensile premendo innanzi tutto la manopola B (= interruttore di sicurezza, che non può essere bloccato) e poi schiacciando l'interruttore A

**! l'utensile deve avere la massima velocità prima che la lama entri nel pezzo in lavorazione**

- la protezione inferiore F si apre automaticamente quando la lama entra nel pezzo in lavorazione (aprite la protezione inferiore manualmente con la leva G solamente per tagli speciali come tagli dal pieno)

**! non forzare l'utensile (applicare una pressione leggera e continua per evitare un surriscaldamento delle punte della lama e di fondere la plastica, se si sta tagliando plastica)**

**! durante la lavorazione, impugnare l'utensile sempre in corrispondenza della(e) area(e) grigia(e)**

- dopo aver realizzato il taglio, spegnete il vostro utensile rilasciando l'interruttore A

**! prima di rimuovere l'utensile del pezzo da lavorare assicuratevi che la lama sia ferma**

## CONSIGLIO PRATICO

- Posizionate la parte più rifinita del pezzo in lavorazione verso il basso
- Usate solo lame affilate e del tipo suggerito ⑩
  - la qualità di taglio è proporzionale al numero dei denti
  - lame con denti riportati al carburo conservano l'affilatura 30 volte più a lungo
- Guida parallela Z ⑪

- per tagli precisi lungo un bordo del pezzo in lavorazione
- può essere inserita sia alla destra che alla sinistra parte del piede

### Regolazione della guida parallela

- allentare la manopola AA
- regolate alla larghezza di taglio desiderata utilizzando la scala della guida parallela (utilizzare il visore Q della linea di taglio come 0-riferimento)
- serrare la manopola AA

- Penetrazione e taglio ⑫

- fissate la profondità di taglio desiderata
- inclinate l'utensile in avanti con il visore della linea di taglio Q allineato con la linea di taglio desiderata marcata sul pezzo in lavorazione
- aprite la protezione inferiore F con la leva G
- proprio prima che la lama entri nel pezzo in lavorazione, accendete l'utensile e abbassate gradualmente la parte posteriore facendo perno sulla parte anteriore del piede
- gradualmente spingete l'utensile in basso e in avanti
- appena la lama entra nel materiale, rilasciate la leva G

**! non tirate mai l'utensile indietro**

- Taglio di pannelli larghi ⑬
  - supportate il pannello vicino al taglio sia in terra, sulla tavola che sul banco di lavoro

**! fissate la profondità di taglio in modo da non tagliare il supporto**

- nel caso la guida parallela sia troppo corta, fissate sul pezzo in lavorazione un legno diritto come guida, e utilizzate la parte destra del piede contro questa guida

## MANUTENZIONE / ASSISTENZA

- Questo utensile non è inteso per un uso professionale
- Tenete sempre puliti utensile e cavo (soprattutto le feritoie di ventilazione AB)

**! prima di pulire estrarre la spina dalla presa**

- Tenere sempre l'area attorno alla guida inferiore F ② pulita (rimuovere polvere e trucioli soffiando con 'aria compressa oppure utilizzare una spazzola)
- Pulite la lama immediatamente dopo l'uso (specie da resina o colla)
- Se nonostante gli accurati procedimenti di produzione e di controllo l'utensile dovesse guastarsi, la riparazione va fatta effettuare da un punto di assistenza autorizzato per gli elettroutensili SKIL
  - inviare l'utensile **non smontato** assieme alle prove di acquisto al rivenditore oppure al più vicino centro assistenza SKIL (l'indirizzo ed il disegno delle parti di ricambio dell'utensile sono riportati su [www.skil.com](http://www.skil.com))
- Tenere presente che danni causati da sovraccarico o utilizzo improprio sono esclusi dalla garanzia (per la condizioni di garanzia SKIL, visitare il sito [www.skil.com](http://www.skil.com) o contattare il proprio rivenditore)

## TUTELA DELL'AMBIENTE

- **Non gettare l'elettro utensile, gli accessori e l'imballaggio con i rifiuti domestici** (solo per Paesi UE)

- secondo la Direttiva Europea 2012/19/CE sui rifiuti di utensili elettrici ed elettronici e la sua attuazione in conformità alle norme nazionali, gli elettro utensili esausti devono essere raccolti separatamente, al fine di essere reimpiagati in modo eco-compatibile
- il simbolo ⑤ vi ricorderà questo fatto in fase di smaltimento

## RUMOROSITÀ / VIBRAZIONE

- Misurato secondo EN 62841, il livello di pressione sonora garantito di questo utensile è di 97,0 dB(A), il livello di rumorosità è di 108,0 dB(A) (incertezza K = 3 dB) e il livello delle vibrazioni di \* (somma vettoriale di tre direzioni; incertezza K = 1,5 m/s<sup>2</sup>)
  - \* taglio del legno 4,0 m/s<sup>2</sup>
  - \* taglio del metallo 2,8 m/s<sup>2</sup>
- Il livello di emissione delle vibrazioni è stato misurato in conformità a un test standardizzato stabilito dalla norma EN 62841; questo valore può essere utilizzato per mettere a confronto un l'utensile con un altro o come valutazione preliminare di esposizione alla vibrazione quando si impiega l'utensile per le applicazioni menzionate
  - se si utilizza l'utensile per applicazioni diverse, oppure con accessori differenti o in scarse condizioni, il livello di esposizione potrebbe **aumentare** notevolmente
  - i momenti in cui l'utensile è spento oppure è in funzione ma non viene effettivamente utilizzato per il lavoro, possono contribuire a **ridurre** il livello di esposizione
- **! proteggersi dagli effetti della vibrazione effettuando la manutenzione dell'utensile e dei relativi accessori, mantenendo le mani calde e organizzando i metodi di lavoro**



## Körfűrész 5820/5830

### BEVEZETÉS

- A készülék rögzített fa munkadarabokban végzett egyenesvonalú hosszanti és keresztirányú, valamint 50°-os illesztésekhez szolgáló vágások végrehajtására szolgál; megfelelő fűrészlapok használatával a készülék szinesfémek, könnyű építési anyagok és műanyagok fűrészelésére is alkalmazható
- A szerszám nem professzionális használatra készült
- Olvassa el figyelmesen és őrizze meg a használati utasítást ③

### MŰSZAKI ADATOK ①

### SZERSZÁMGÉP ELEMEI ②

- A Indítókapcsoló
- B Biztonsági kapcsoló
- C Elfordulás elleni gomb
- D Fűrészlap szorítócsavar
- E Peremes gyűrű
- F Alsó fűrészlapvédő pajzs
- G Kar a fűrészlapvédő kinyitásához
- H Rögzítő felület
- J Gomb a fűrészelés mélységének beállításához
- K Talp
- L Vágásmélység mutató
- M Vágási szög beállító gomb
- N Vágási szög mutató
- P Csavar a 90°-os sor végi szünettartás módosításához
- Q Leolvasó
- R Hátulsó fogantyú
- S Elülső fogantyú
- T Fűrészlapkulcs
- V Csavarkulcs tárolása
- W Forgáscsukló
- Y Porszívó illesztőegység
- Z Vezetőléc
- AA Vezetőlécezt beállító gomb
- AB Szellőzőnyílások

### BIZTONSÁG

#### ÁLTALÁNOS BIZTONSÁGI ELŐÍRÁSOK AZ ELEKTROMOS KÉZISZERSZÁMOKHOZ

**FIGYELMEZTETÉS** Olvassa el a szerszámgéphez tartozó biztonsági figyelmeztetéseket, utasításokat, ábrákat és specifikációkat. Az alábbi utasítások figyelmen kívül hagyása elektromos áramütéshez, tűzhez és/vagy súlyos balesetnek vezethet.

**Őrizze meg a jövőbeli használatra is valamennyi biztonsági előírást és utasítást.**

Az alább alkalmazott "elektromos kéziszerszám" fogalom a hálózati elektromos kéziszerszámokat (hálózati csatlakozó kábelrel) és az akkumulátoros elektromos kéziszerszámokat (hálózati csatlakozó kábel nélkül) foglalja magában.

#### 1) MUNKAHELYI BIZTONSÁG

- a) **Tartsa tisztán és tartsa rendben a munkahelyét.** Rendetlen munkahelyek vagy megvilágítatlan munkaterületek balesetekhez vezethetnek.
- b) **Ne dolgozzon az elektromos kéziszerszámmal olyan robbanásveszélyes környezetben, ahol éghető folyadékok, gázok vagy porok vannak.** Az elektromos kéziszerszámok szikrákat bocsáthatnak ki, amelyek meggyújthatják a port vagy a gőzöket.
- c) **Tartsa távol a gyerekeket és az idegen személyeket a munkahelytől, ha az elektromos kéziszerszámot használja.** Ha elvonják a figyelmét a munkától, könnyen elvesztheti az uralmát a berendezés felett.

#### 2) ELEKTROMOS BIZTONSÁGI ELŐÍRÁSOK

- a) **A készülök csatlakozó dugójának bele kell illeszkednie a dugaszolóaljzatba. A csatlakozó dugót semmilyen módon sem szabad megváltoztatni. Védőföldeléssel ellátott készülékekkel kapcsolatban ne használjon csatlakozó adaptert.** A változtatás nélküli csatlakozó dugók és a megfelelő dugaszoló aljzatok csökkentik az áramütés kockázatát.
  - b) **Ne érjen hozzá földelt felületekhez, mint csövekhez, fűtőtestekhez, kályhákhoz és hűtőszekrényekhez.** Az áramütési veszély megnövekszik, ha a teste le van földelve.
  - c) **Tartsa távol az elektromos kéziszerszámot az esőtől és a nedvesség hatásaitól.** Ha víz hatol be egy elektromos kéziszerszámba, ez megnöveli az áramütés veszélyét.
  - d) **Ne használja a kábelt a rendeltetésétől eltérő célokra, vagyis a szerszámot soha ne hordozza vagy akassza fel a kábelnél fogva, és soha ne húzza ki a hálózati csatlakozó dugót a kábelnél fogva. Tartsa távol a kábelt hőforrásoktól, olajtól, éles élektől, sarkaktól és mozgó gépalkatrészekről.** Egy megrongálódott vagy csomókkal teli kábel megnöveli az áramütés veszélyét.
  - e) **Ha egy elektromos kéziszerszámmal a szabad ég alatt dolgozik, csak a szabadban való használatra engedélyezett hosszabbítót használjon.** A szabadban való használatra engedélyezett hosszabbító használatát csökkenti az áramütés veszélyét.
  - f) **Ha nem lehet elkerülni az elektromos kéziszerszám nedves környezetben való használatát, alkalmazzon egy földzárlat megszakítót.** Egy földzárlat megszakító alkalmazása csökkenti az áramütés kockázatát.
- #### 3) SZEMÉLYI BIZTONSÁGI ELŐÍRÁSOK
- a) **Munka közben mindig figyeljen, ügyeljen arra, amit csinál, és meggondoltan dolgozzon az elektromos kéziszerszámmal.** Ha fáradt, ha kábítószerek vagy alkohol hatása alatt áll, vagy orvosságokat vett be, ne használja a berendezést. A berendezéssel végzett munka közben már egy pillanatnyi figyelmetlenség is komoly sérülésekhez vezethet.
  - b) **Viseljen személyi védőfelszerelést és mindig viseljen védőszemüveget.** A személyi védőfelszerelések, mint porvédő álarc, csúszásbiztos védőcipő, védősapka és fülvédő használata az elektromos kéziszerszám használatát jellegének megfelelően csökkenti a személyes sérülések kockázatát.
  - c) **Kerülje el a készülék akaratlan üzembe helyezését. Győződjön meg arról, hogy az elektromos**

kéziszerszám ki van kapcsolva, mielőtt bedugná a csatlakozó dugót a dugaszolóaljzatba, csatlakoztatná az akkumulátor-csomagot, és mielőtt felvenné és vinni kezdené az elektromos kéziszerszámot. Ha az elektromos kéziszerszám felemelése közben az újját a kapcsolón tartja, vagy ha a készüléket bekapcsolt állapotban csatlakoztatja az áramforráshoz, ez balesetekhez vezethet.

- d) **Az elektromos kéziszerszám bekapcsolása előtt okvetlenül távolítsa el a beállító szerszámokat vagy csavarkulcsokat.** Az elektromos kéziszerszám forgó részeiben felejtett beállító szerszám vagy csavarkulcs sérüléseket okozhat.
  - e) **Ne becsülje túl önmagát. Kerülje el a normálistól eltérő testtartást, ügyeljen arra, hogy mindig biztosan álljon és az egyensúlyát megtartsa.** Így az elektromos kéziszerszám felett váratlan helyzetekben is jobban tud uralkodni.
  - f) **Viseljen megfelelő ruhát. Ne viseljen bő ruhát vagy ékszerket. Tartsa távol a haját és a ruháját a mozgó részekről.** A bő ruhát, az ékszerket és a hosszú haját a mozgó alkatrészek magukkal rántathatják.
  - g) **Ha az elektromos kéziszerszámra fel lehet szerelni a por elszívásához és összegyűjtéséhez szükséges berendezéseket, ellenőrizze, hogy azok megfelelő módon hozzá vannak kapcsolva a készülékhez és rendeltetésüknek megfelelően működnek.** A porgyűjtő berendezések használata csökkentheti a munka során keletkező por veszélyes hatását.
  - h) **Ne hagyja, hogy az elektromos kéziszerszám gyakori használata során szerzett tapasztalatok olyan önelégültté tegyék, hogy figyelmen kívül hagyja az idevonatkozó biztonsági alapelveket.** Egy gondatlan művelet egy másodperc törtrésze alatt súlyos sérüléseket okozhat.
- #### 4) AZ ELEKTROMOS KÉZISZERSZÁMOK GONDOS KEZELÉSE ÉS HASZNÁLATA
- a) **Ne terhelje túl az elektromos kéziszerszámot. A munkájához csak az arra szolgáló elektromos kéziszerszámot használja.** Egy alkalmas elektromos kéziszerszámmal a megadott teljesítménytartományon belül jobban és biztonságosabban lehet dolgozni.
  - b) **Ne használjon olyan elektromos kéziszerszámot, amelynek a kapcsolója elromlott.** Egy olyan elektromos kéziszerszám, amelyet nem lehet sem be-, sem kikapcsolni, veszélyes és meg kell javíttatni.
  - c) **Húzza ki a csatlakozó dugót a dugaszolóaljzataból és/vagy távolítsa el az akkumulátor-csomagot (ha az leválasztható) az elektromos kéziszerszámtól, mielőtt az elektromos kéziszerszámon beállítási munkákat végez, tartozékokat cserél vagy a szerszámot tárolásra elteszi.** Ez az elővigyázatosságú intézkedés meggátolja a szerszám akaratlan üzembe helyezését.
  - d) **A használaton kívüli elektromos kéziszerszámokat olyan helyen tárolja, ahol azokhoz gyerekek ne férhess nek hozzá. Ne hagyja, hogy olyan személyek használják az elektromos kéziszerszámot, akik nem ismerik a szerszámot, vagy nem olvasták el ezt az útmutatót.** Az elektromos kéziszerszámok veszélyesek, ha azokat gyakorlatlan személyek használják.
  - e) **Az elektromos kéziszerszámot és tartozékait gondosan tartsa karban. Ellenőrizze, hogy a**

mozgó alkatrészek kifogástalanul működnek-e, nincsenek-e beszorulva, és nincsenek-e eltörve vagy megrongálódva olyan alkatrészek, amelyek hatással lehetnek az elektromos kéziszerszám működésére. A megrongálódott részeket a készülék használata előtt javíttassa meg. Sok olyan baleset történik, amelyet az elektromos kéziszerszám nem kielégítő karbantartására lehet visszavezetni.

- f) **Tartsa tisztán és éles állapotban a vágószerszámokat.** Az éles vágóélekkel rendelkező és gondosan ápolat vágószerszámok ritkábban ékelődnek be és azokat könnyebben lehet vezetni és irányítani.
  - g) **Az elektromos kéziszerszámokat, tartozékokat, betétszerszámokat stb. csak ezen előírásoknak használja.** Vegye figyelembe a munkafeltételeket és a kivitelezendő munka sajátosságait. Az elektromos kéziszerszám eredeti rendeltetésétől eltérő célokra való alkalmazása veszélyes helyzetekhez vezethet.
  - h) **Tartsa szárazon, tisztán és olaj- és zsírmentes állapotban a fogantyúkat és markoló felületeket.** A csúszós fogantyúk és markoló felületek váratlan helyzetekben lehetetlenné teszik az elektromos kéziszerszám biztonságos kezelését és irányítását.
- #### 5) SZERVIZ
- a) **Az elektromos kéziszerszámot csak szakképzett személyzet és csak eredeti pótkatrészek felhasználásával javíthatja.** Ez biztosítja, hogy az elektromos kéziszerszám biztonságos szerszám maradjon.

#### BIZTONSÁGI ELŐÍRÁSOK KÖRFŰRÉSZEKHEZ

- 1) **FŰRÉSZÉLÉSI ELJÁRÁS**
- a) **VESZÉLY: Sohase tegye be a kezét a fűrészelési területre és sohase érjen hozzá a fűrészlaphoz. Fogja meg a másik kezével a pótfogantyút vagy a motorházat.** Ha mindkét kezével fogja a fűrész, a fűrészlap nem sértheti meg a kezét.
- b) **Ne érintse a munkadarab alsó részét.** A védőburkolat nem nyújt védelmet a fűrészlappal szemben a munkadarab alsó részénél.
- c) **Állítsa be a vágási mélységet, a munkadarab vastagságának megfelelően.** Legkevesebb a vágótárcsa 1 fogának kell látszódnia a munkadarab túlóldalán.
- d) **Sohase a kezével, vagy a lábán, vagy a lábával próbálja meg a fűrészelésre kerülő munkadarabot lefogni. A megmunkálásra kerülő munkadarabot mindig egy stabil felfogó egységre rögzítse.** Nagyon fontos, hogy a munkadarabot biztonságosan rögzítse, hogy csökkentse annak veszélyét, hogy a munkadarab vagy a készülék nekivágódjon valamelyik testrésznek, a fűrészlap beékelődjön, vagy hogy a kezelő elveszítse az uralmát a körfűrész felett.
- e) **Az elektromos kéziszerszámot csak a szigetelt fogantyúfelületeknél fogja meg, mert a kések elérhetik a rejtett huzalokat és a készülék saját hálózati vezetékét** (ha az elektromos kéziszerszám elvág egy feszültség alatt álló vezeték, a fémrészei szintén feszültség alá kerülnek, ami áramütéshez vezet)
- f) **Hasítás esetén mindig használjon vezetőéleccet vagy egy egyenes élvezetőt.** Ez javítja a forgácsolás pontosságát és csökkenti a fűrészlap berágódásának

lehetőségét.

- g) **Mindig csak a helyes méretű és a készüléknek megfelelő rögzítő (például csillagalakú vagy körkeresztmetszetű) nyílással ellátott fűrészlapokat használjon.** Azok a fűrészlapok, amelyek nem illenek hozzá a fűrész rögzítő alkatrészeihez, nem futnak körben és ahhoz vezetnek, hogy a kezelő elveszti a készülék feletti uralmát.
- h) **Soha ne használjon sérült, vagy pontatlan méretű alátéteket vagy csavarokat.** A fűrészlap alátéteit és a csavart - az optimális és biztonságos üzemeltetés érdekében - kimondottan a berendezéshez tervezték.
- 2) VISSZAÜTÉS - OKOK ÉS MEGFELELŐ ELŐÍRÁSOK**
- A visszaütés egy olyan hirtelen reakciója a beékelődött, berágódott vagy nem tengelyvonalba illeszkedő fűrészlapnak, amely a kontrollálhatatlanná vált szerszám felemelkedését, illetve a szerszámnak a munkadarabból, a használat fele történő kiugrását eredményezi
  - Amikor a vágási rés behúzásakor a fűrészlap beszorul illetve erősen berágódik, a fűrészlap forgása lelassul, és a motor-visszahatás a szerszámot rohamosan a szerszám használójának irányába kényszeríti
  - Ha a fűrészlap elfintul vagy a vágási résből kilép, a fűrészlap hátsó részénél levő fogak beelkaphatnak a fa felületébe, mely a fűrészlapnak a vágási résből történő kiugrását és a szerszámnak a használó irányába történő visszaütését eredményezi
  - Egy visszarúgás az elektromos kéziszerszám hibás vagy helytelen használatának következménye. Ezt az alábbiakban leírásra kerülő megfelelő óvatossági intézkedésekkel meg lehet gátolni.
- a) **Használat közben fogja a szerszámot két kézzel, és karjai úgy helyezkedjenek el, hogy ellenáljon a visszaütés következtében fellépő erőnek. Ügyeljen arra, hogy teste a vágótárcsa jobb vagy bal oldalán helyezkedjen el, és sohasem a fűrészlappal egyvonalba.** A visszaütő erő következtében a szerszám hátrafele ugorhat, amelyet azonban a fentiekben leírt biztonsági óvintézkedésekkel a felhasználó biztonsággal uralhat, amennyiben betartja ezeket.
- b) **A fűrészlap beékelődése, vagy a vágási folyamat bármely okból történő megszakadása esetén, engedje el a kioldó gombot, és tartsa mozdulatlanul a fűrészgépet az anyagban, amíg a fűrészlap teljesen le nem áll. Soha ne húzza visszafele a fűrészlapot, illetve ne próbálja eltávolítani a szerszámot a munkadarabból a fűrészlap mozgó állapotában, vagy a szerszám esetleges visszaütése során.** Vizsgálja ki az okot, és tegyen megfelelő lépéseket a fűrészlap beszorulásának megelőzése érdekében. Kerülje a szögek/csavarak elvágását.
- c) **A forgácsolás újraindításakor, helyezze a fűrészlapot a vágási részbe, és ellenőrizze, hogy a fogak ne legyenek beakaszkodva a munkadarabba.** Ha a fűrészlap szorul, előfordulhat, hogy a szerszám újraindításakor a fűrészlap szabálytalanul kiugrik a vágási résből vagy szerszám visszaüt.
- d) **A nagyméretű lemezeket támassza alá, hogy ennek révén minimumra csökkentsse a fűrészlap beékelődésének és a visszaütésnek rizikóját.** Nagyméretű lemezek, saját súlyuknál fogva, hajlamosak a belógásra. A lemezt, közel a vágásvonalhoz és a lemez széléhez, mindkét végén alá kell támasztani.

- e) **Ne használjon életlen vagy megrongálódott fűrészlapot.** Életlen vagy helytelenül illesztett fűrészlap keskeny vágási rést hoz létre, amely túlzott súrlódást, a fűrészlap berágódását és visszaütést eredményez.
- f) **Forgácsolás megkezdése előtt, a vágásmélységet és a vágási szöget beállító rögzítőkarokat meg kell szorítani illetve rögzíteni kell.** Ha a vágási művelet során a fűrészlap-beállítás elcsúszlik, előfordulhat, hogy a fűrészlap beszorul vagy a szerszám visszaüt.
- g) **Ha egy meglévő falban, vagy más be nem látható területen fűrészel, járjon el különös óvatossággal.** Az anyagba besüllyedő fűrészlap a fűrészelés közben kívülről nem látható akadályokban megakadhat és egy visszarúgáshoz vezethet.
- 1) A ALSÓ FÜRÉSZLAPVÉDŐ PAJZSOT MŰKÖDÉSE**
- a) **Minden egyes használat előtt ellenőrizze az alsó fűrészlapvédő pajzsot annak megfelelő csukódása szempontjából. Ne üzemeltesse a szerszámot, ha az alsó fűrészlapvédő pajzs nem mozog szabadon, illetve nem csukódik be azonnal. Soha ne rögzítse vagy kösse ki az alsó fűrészlapvédő pajzsot annak nyitott állapotában.** Ha a szerszám véletlenül leesik, az alsó fűrészlapvédő pajzs behorpadhat. Húzzuk ki a kábel dugóját a csatlakozóaljzatból, emelje fel a pajzsot a visszahúzó fogantyúnál fogva, és ellenőrizze a burkolatot, hogy az szabadon mozogjon, illetve ne érintse a fűrészlapot vagy a szerszám más részét egyetlen vágómélység/-szög esetén sem.
- b) **Ellenőrizze az alsó fűrészlapvédő pajzs rugójának működését. Ha a védőburkolat és a rugó nem működik rendesen, használhat előtt szervizelni kell a szerszámot.** Előfordulhat, hogy az alsó fűrészlapvédő pajzs lassan működik a megsérült alkatrészek, tapadós bevonat, lerakódott anyagrészek miatt.
- c) **Az alsó fűrészlapvédő pajzsot csak olyan sajátos helyzetben szabad kézzel lehajtani, mint pl. beszúró vagy összetett forgácsolás. Emelje meg az alsó pajzsot a visszahúzó fogantyúnál fogva, és amint a fűrészlap behatol az anyagba, engedje el.** Minden más vágóművelet esetén az alsó fűrészlapvédő pajzsnak automatikusan kell működnie.
- d) **Mielőtt a szerszámot a munkapadra vagy a földre helyezné, minden esetben ellenőrizze, hogy az alsó fűrészlapvédő pajzs fedi-e a fűrészlapot.** Egy védtelen fűrészlap, vagy egy lelassuló mozgás a fűrészlap visszafele történő mozgását eredményezi, elvágva mindent ami az útjába kerül. Legyen tudatában a kioldó gomb elengedése és a fűrészlap leállása közt eltelt időtartamnak.

## KIEGÉSZÍTŐ BIZTONSÁGI ELŐÍRÁSOK

- A bekapcsolási folyamatok rövid időtartamú feszültségcsökkenéshez vezetnek; bizonyos hálózati feltételek mellett ez befolyásolhatja más berendezések működését (ha a hálózati impedancia nem haladja meg a 0,468 Ohm értéket, nem lépnek fel zavarok); amennyiben egyéb információra van szüksége, kérjük lépjen kapcsolatba a helyi áramszolgáltatójával

## ÁLTALÁNOS TUDNIVALÓK

- A készüléket csak 16 éven felüli személyek használják
- Ez a készülék nedves vágási munkálatokhoz nem használható

- **Mindig húzza ki a dugaszolóaljzatot mielőtt tartozékot cserélné vagy bármit változtatna a gép beállításán**
- Soha ne használja a szerszámot, ha a kábel sérült; ilyen esetben azt egy speciális kábelre kell lecserélni, amely a szervizelő végző ügyfélszolgálatnál érhető el.
- **Ne munkáljon meg a berendezéssel azbesztes tartalmazó anyagokat** (az azbesztesnek rákkeltő hatása van)
- Az anyagból származó por, mint például az ólmot, néhány fafajtát, ásványi anyagokat és fémeket tartalmazó festék, káros lehet (a por érintése vagy belégzése allergiás reakciókat és/vagy légzőszervi betegségeket okozhat a kezelő, illetve a közelben állók esetében); **viseljen pormaszkot és amennyiben csatlakoztatható, dolgozzon poreszívó berendezéssel**
- Bizonyos porfajták rákkeltő besorolással rendelkeznek (ilyen például a tölgny- és a bükkfa pora), különösen a fő kondicionálására szolgáló adalékokkal együtt; **viseljen pormaszkot és amennyiben csatlakoztatható, dolgozzon poreszívó berendezéssel**
- Kövesse a por kezelésével kapcsolatos helyi előírásokat azon termékkel kapcsolatosan, amellyel dolgozni kíván
- Kizárólag integrált kapcsolatos ellátott körfűrészszalt használjon, amely egy esetleges áramszünet után megakadályozza a gép újraindítását
- Kizárólag integrált hasítóéket ellátott körfűrészszalt használjon

#### TARTOZÉKOK

- SKIL cég kizárólag eredeti alkatrészek és kiegészítők alkalmazása esetén tudja garantálni a gép problémamentes működését
- Csak olyan fűrészlapokat használjon, amelyek megfelelnek az ezen kezelési utasításban megadott adatoknak és amelyeket az EN 847-1 szabványnak megfelelően ellenőriztek és megfelelőnek találtak
- Csak olyan tartozékot használjon, amelyek legmagasabb megengedett fordulatszáma legalább akkora, mint a berendezés legmagasabb üresjárati fordulatszáma
- Csak 184 mm tengelyfurat átmérővel rendelkező, 184 mm és 16 mm közötti külső átmérőjű fűrészlapot használjon (5820)
- Csak 190 mm tengelyfurat átmérővel rendelkező, 190 mm és 16 mm közötti külső átmérőjű fűrészlapot használjon (5830)
- Sohasé használja készülékét HSS acélból készült fűrészlappal
- Ezt a készülékhez ne használjon csiszoló- vagy vágókorongot

#### HASZNÁLAT ELŐTT

- Mindig ellenőrizze, hogy a hálózati feszültség megegyezik-e a szerszám adattábláján feltüntetett értékkel
- Ügyeljen arra, hogy a munkadarabban lévő csavar, szög vagy hasonló sérüléseket ne okozhasson; a munka megkezdése előtt eltávolítandó
- Mielőtt elkezdené a vágást, távolítsa el minden akadályt a vágási vonal elől
- **Rögzítse a munkadarabot** (befogókészülékkel vagy satuval befogott munkadarabot sokkal biztonságosabban lehet rögzíteni mint a kézzel tartottat)
- **A rejtett vezetékek felkutatásához használjon alkalmas fémkereső készüléket, vagy kérje ki a helyi energiaellátó vállalat tanácsát** (ha egy elektromos

vezetékeket a berendezéssel megérint, ez tűzhöz és áramütéshez vezethet; egy gázvezeték megrongálása robbanást eredményezhet; egy vízvezetékbe való behatolás anyagi károkhoz és áramütéshez vezethet)

- Használjon teljesen letekert és biztonságos hosszabbítókábel, 16 A-es teljesítményrel

#### HASZNÁLAT KÖZBEN

- Munka közben a zaj meghaladhatja a 85 dB(A); használjon fülvédőt
- Sohasé használja a készüléket az eredeti védőburkolat nélkül
- Ne próbáljon nagyon kisméretű munkadarabot vágni
- A géppel ne dolgozzon feje felett
- Amennyiben készüléke hirtelen megáll vagy a normálított eltérő működést ill. szokatlan, idegen furcsa zajokat észlel, úgy a készüléket azonnal kapcsolja ki és a kábelt húzza ki a fali dugaszoló aljzatból
- Ha a kábel munka közben megsérül vagy el van vágva, ne érjen a kábelhoz, hanem azonnal húzza ki a konektorból

#### A HASZNÁLATOT KÖVETŐEN

- A gépet soha ne hagyja bekapcsolt állapotban, ha már nem dolgozik vele
- Készülékének kikapcsolása után a fűrészlap leállítását semmilyen külső behatással (kézzel, valamely tárggyal), ne kísérelje meg gyorsítani

#### A SZERSZÁMOK TÁLLÁHATÓ SZIMBÓLUMOK MAGYARÁZATA

- ③ Használat előtt olvassa el a használati utasítást
- ④ Kettős szigetelés (földelővezeték nem szükséges)
- ⑤ A gépet ne dobja a háztartási szemétkébe

#### KEZELÉS

- Fűrészlap felszerelése ②
- **! húzzuk ki a kábel dugóját a csatlakozó aljzatból**
- vegye ki a fűrészlapkulcsot T a tartóból V
- nyomja be a tengelyt reteszelő C gombot és tartsa benyomva, amíg a fűrészlapkulcsot T az elfordítva eltávolítja a fűrészlap D szorítócsavarját
- **! csak akkor nyomja be a tengelyt reteszelő C gombot, amikor a készülék üzemben kívüli állapotban van**
- engedje el a tengelyt reteszelő C gombot
- távolítsa el az E peremes gyűrűt
- **! ügyeljen arra, hogy a peremes gyűrűknek a fűrészlappal érintkező felületei H teljesen tiszták legyenek és felhelyezésük a megfelelő irányban történjen**
- nyissa ki az alsó F fűrészlapvédőt a G karral, és a kart lenyomva tartva szerélje ki a fűrészlapot úgy, hogy a fűrészlapra nyomtatott nyíl valamint a fogak iránya megegyezzen a felső fűrészlapvédő részén látható nyíl irányával
- engedje vissza az alsó F fűrészlapvédőt
- helyezze vissza az E peremes gyűrűt
- nyomja be a tengelyt reteszelő C gombot, és tartsa benyomva, amíg a fűrészlap szorítócsavarját kézzel megszorítja, majd azt a fűrészlapkulccsal ismételtlen meghúzza az 1/8 fordulattal (meggátolja a fűrészlap megcsúszását, amennyiben az nagy ellenállásba ütközne, ill. csökken a motor túlterhelése és visszaütése)
- engedje el a tengelyt reteszelő C gombot

- Vágásmélység beállítás ⑥
  - az optimális vágás érdekében nem célszerű, ha a körfűrészlap több mint 3 mm-t kilóg a munkadarabból
  - engedje ki az J gombot
  - emelje/engedje a K lábazatot amíg az L mutató eléri a kívánt vágásmélységet el nem érte
  - húzza meg az J gombot
- Vágási szög beállítás (0-50°) ⑦
  - engedje ki az M gombot
  - döntse el a gépet, ammeddig az N mutató a kívánt vágási szöget el nem érte
  - húzza meg az M gombot
- ! **ferde síkú vágás esetén a vágásmélység nem egyezik meg a vágásmélység-skálán látható értékkel**
- 90°-os Vágási szög ellenőrzése ⑦
  - a K lábazatot maximális vágási mélységre kell állítani és meghúzni ⑧
  - a vágási szöget 0°-ra kell állítani és meghúzni
  - ellenőrizze a 90°-os vágási szöget a fűrészlap és a lábazat alsó részénél egy szögmérővel
  - ha beállításra van szükség, engedje ki az M gombot és használja a beállítócsavart P az ábra szerint
- Állítható leolvasó Q ⑧
  - a gép pontos használata érdekében vágjon a munkadarabon a rajzolt vonal mentén
  - egyenes 0°-os vagy 45°-os vágásiszög érdekében használja a megfelelő mutatóvonalat
- ! **a lábazat nagyobbik része fekdjön fel a munkadarabra**
- módosítható a különböző fűrészpenge-szélességekhez történő igazításhoz, azonban előfordulhat, hogy a fűrészpenge egyik oldala nem illeszkedik - ilyen esetben válassza ki, hogy a hulladékanyag a penge belső vagy külső oldalán van-e ⑧
- ! **a vágási szélességet a fűrészlapfogak szélessége határozza meg és nem a fűrészlap vastagsága**
- ! **a tényleges vágásvonal ellenőrzése érdekében, mindig tegyen először egy próbavágást**
- Por elszívás
  - az Y ⑨ adapterre a legkedvezőbb porfelvételhez
- ! **figyeljen arra, hogy a porszívócső soha ne akadályozza az alsó fűrészlapvédő nyílást vagy a vágási munkálatokat**
- A gép üzemeltetése ⑨
  - a dugaszoló aljzatot a konnektorba dugja be
  - mindig fogja meg az egyik kezével a R fogantyút a másikkal pedig az S fogantyút
  - a gépet helyezze a lábazat előoldalával a munkadarabra
- ! **ellenőrizze, hogy a fűrészlapfogak nem szorultak-e be a munkadarabra**
- kapcsolja be a gépet úgy, hogy mindig először a B gombot (= biztonsági kapcsoló, amelyiket nem lehet rögzíteni) benyomja, és utána a A kapcsolót meghúzza
- ! **a körfűrésznek teljes fordulatszámom kell működnie mielőtt a munkadarabra vezetjük**
- az F fűrészlapvédő automatikusan kinyílik, amikor belevezetjük a fűrészlapot a munkadarabra (a fűrészlapvédőt csak speciális vágásoknál nyissa ki kézzel; ehhez a G kart használja)
- ! **ne erőltesse a szerszámot (alkalmazza enyhé és folyamatos nyomást a vágópenge hegy**

**túlhevülésének, műanyagok vágásakor pedig a munkadarab megolvadásának megelőzésére)**

**! munka közben mindvégig tartsa gépet a szürke színű markolati terület(ek)en**

- a vágás befejezésével kapcsolja ki a gépet úgy, hogy a A kapcsolót kikapcsolja

**! ellenőrizze, hogy a fűrészlap teljesen leállt mielőtt a gépet a munkadarabtól eltávolítja**

## HASZNÁLAT

- Vágás közben a munkadarab használandó oldala mindig lefelé mutasson annak érdekében, hogy sérülések a munkadarab használandó oldalán minimálisak legyenek
- Mindig csak éles és az elvégzendő munkálatokhoz megfelelő típusú fűrészlapokat használjon ⑩
  - a vágás minősége egyaránt növekszik a fűrészfogak számával
  - keményfémlepkés fűrészlapnak 30-szor hosszabb az élettartama mint egy hagyományosé
- Vezetőléc Z ⑪
  - pontos párhuzam vágásokhoz
  - kétoldalúan helyezhető be a lábazatra
- Vezetőléc beállítása
  - engedje ki az AA gombot
  - állítsa be a kívánt vágási szélességet a vezetőlécen lévő számozás alapján (a Q leolvasót a 0-referenciához használható)
  - húzza meg az AA gombot
- Beszűrő vágás ⑫
  - a kívánt vágási mélységet állítsa be
  - döntse előre a gépet úgy, hogy a leolvasó Q a munkadarabon jelölt vonalra mutasson
  - nyissa ki az alsó F fűrészlapvédőt a G karral
  - mielőtt a fűrészlap beleér a munkadarabra kapcsolja be a gépet, és a körfűrészgép hátsó részét lassan nyomja lefelé úgy, hogy az előoldalon lévő lábazat széle legyen a terhelendő pont
  - a gépet lassan engedje lefelé és egyidejűleg nyomja előre
  - a G kart engedje ki, amint a fűrészlap behatol az anyagba
- ! **a gépet soha ne húzza hátrafelé**
- Nagyméretű lemezek vagy táblák vágása ⑬
  - a vágásvonal mentén támasza alá a lemezt egy munkaasztalon vagy a földön
- ! **állítsa be a vágás mélységét úgy, hogy a lemezt elvágja de vigyázzon, hogy a tartóba ne vágjon**
- amennyiben a vezetőléc nem engedi a kívánt szélesség beállítását, úgy szögöljen egy egyenes falécut a munkadarabra, amely vezetőlécként működne a gépet használja a jobb oldali lábazattal a vezetőlécen

## KARBANTARTÁS / SZERVIZ

- A szerszám nem professzionális használatra készült
- Mindig tartsa tisztán a gépet és a vezetőléct (különös tekintettel a szellőzőnyílásokra AB)
- ! **tisztítás előtt húzza ki a csatlakozódugót**
- Az alsó fűrészlapvédő F ⑫ alatti területet mindig tartsa tisztán (sűrített levegővel vagy kefével távolítsa el a port és a faforgácsot)
- Közvetlen a használat után tisztítsa meg a körfűrészlapot (főleg a gyantától és a ragasztótól)

- Ha a gép a gondos gyártási és ellenőrzési eljárás ellenére egyszer mégis meghibásodna, akkor a javítással csak SKIL elektromos kéziszerszám-műhely ügyfélszolgálatát szabad megbízni
  - küldje az **összeszerelt** gépet a vásárlást bizonyító számlával együtt a kereskedő vagy a legközelebbi SKIL szervizállomás címére (a címlista és a gép szervizdiagramja a [www.skil.com](http://www.skil.com) címen található)
- Vegye figyelembe, hogy a garancia nem fedi le a túlterhelés és a gép helytelen használatából miatt okozott károkat (a SKIL garanciális feltételeit elolvashatja a [www.skil.com](http://www.skil.com) oldalon, vagy kérdezze meg kereskedőjét)

## KÖRNYEZET

- **Az elektromos kéziszerszámokat, tartozékokat és csomagolást ne dobja a háztartási szemétkébe** (csak EU-országok számára)
  - a használt villamos és elektronikai készülékekről szóló 2012/19/EK irányelv és annak a nemzeti jogba való átültetése szerint az elhasznált elektromos kéziszerszámokat külön kell gyűjteni, és környezetbarát módon újra kell hasznosítani
  - erre emlékeztet a **5** jelzés, amennyiben felmerül az intézkedésre való igény

## ZAJ / REZGÉS

- Az EN 62841-es szabványnak megfelelően végzett mérés szerint a szerszám hangnyomása 97,0 dB(A), hangerőszintje 108,0 dB(A) (bizonytalanság K = 3 dB), a vibráció pedig \* (háromtengelyű vektor összege; bizonytalanság K = 1,5 m/s<sup>2</sup>)
  - \* fa fűrészelése 4,0 m/s<sup>2</sup>
  - \* fémek fűrészelése 2,8 m/s<sup>2</sup>
- A rezgés-kibocsátási szint mérése az EN 62841 szabványban meghatározott szabványosított teszttel összhangban történt; ez egy eszköznek egy másik eszközzel történő összehasonlítására, illetve a rezgésnek való kitettség előzetes felmérésére használható fel az eszköznek az említett alkalmazásokra történő felhasználása során
  - az eszköznek eltérő alkalmazásokra, vagy eltérő, illetve rosszul karbantartott tartozékokkal történő felhasználása jelentősen **emelheti** a kitettség szintjét
  - az idő, amikor az eszköz ki van kapcsolva, vagy amikor ugyan működik, de ténylegesen nem végez munkát, jelentősen **csökkentheti** a kitettség szintjét
- ! **az eszköz és tartozékai karbantartásával, kezének melegen tartásával, és munkavégzésének megszervezésével védje meg magát a rezgések hatásaitól**

CZ

## Kotoučová pila

5820/5830

## ÚVOD

- Náradí je určen k provádění podélných a příčných rovných řezů a řezů úhlem zkosení do 50° ve dřevě; s příslušnými pilovými listy lze také řezat nezelezná kovy, lehké stavební materiály a umělé hmoty
- Tento nástroj není určen k profesionálnímu použití
- Tento návod s pokyny si pečlivě přečtete a uschovejte **3**

## TECHNICKÁ DATA **1**

## SOUČÁSTI NÁSTROJE **2**

- A Spouštěcí spínač
- B Bezpečnostní spínač
- C Tlačítko k zajištění vřetena
- D Šroub upevnění listu
- E Upevňovací podložka
- F Spodní ochranný kryt
- G Páčka pro otevření spodního ochranného krytu
- H Povrch příruby
- J Knoflík k nastavení hloubky řezání
- K Základní deska
- L Ukazatel hloubky řezu
- M Knoflík pro nastavení úhlu řezu
- N Ukazatel úhlu řezu
- P Šroub pro nastavení zářezky v úhlu 90°
- Q Indikátor linie řezu
- R Zadní rukojeť
- S Přední rukojeť
- T Pilový list
- V Úložisko pro pilový list
- W Výfuk třísek
- Y Adaptér vysavače
- Z Paralelní doraz
- AA Knoflík pro nastavení ochranného krytu
- AB Větrací šterbiny

## BEZPEČNOST

### OBECNÉ BEZPEČNOSTNÍ POKYNY PRO ELEKTRONÁRAĐI

**VAROVÁNÍ** Přečtete si veškerá bezpečnostní upozornění, pokyny, obrázky a technické údaje, které jsou s tímto elektrickým nástrojem dodávány. Nedodržení všech níže uvedených pokynů může vést k úrazu elektrickým proudem, požáru a/nebo vážnému zranění.

### Všechny pokyny a výstrahy uchovejte pro budoucí potřebu.

Ve varovných upozorněních použitý pojem "elektronářadí" se vztahuje na elektronářadí provozované na el. síti (se síťovým kabelem) a na elektronářadí provozované na akumulátoru (bez síťového kabelu).

#### 1) BEZPEČNOST PRACOVNÍHO MÍSTA

- a) **Udržujte Vaše pracovní místo čisté a uklizené.** Nepořádek nebo neosvětlené pracovní oblasti mohou vést k úrazům.
  - b) **Se strojem nepracujte v prostředích ohrožených explozí, kde se nacházejí hořlavé kapaliny, plyny nebo prach.** Elektronářadí vytváří jiskry, které mohou prach nebo páry zapálit.
  - c) **Děti a jiné osoby udržujte při použití elektronářadí daleko od Vašeho pracovního místa.** Při rozptýlení můžete ztratit kontrolu nad strojem.
- #### 2) ELEKTRICKÁ BEZPEČNOST
- a) **Připojovací zástrčka stroje musí lícovat se zásuvkou. Zástrčka nesmí být žádným způsobem**

- upravena. Společně se stroji s ochranným uzemněním nepoužívejte žádné adaptérové zástrčky. Neupravené zástrčky a vhodné zásuvky snižují riziko elektrického úderu.
- b) Zabraňte kontaktu těla s uzemněnými povrchy, jako např. potrubí, topení, sporáky a chladničky. Je-li Vaše tělo uzemněno, existuje zvýšené riziko elektrického úderu.
  - c) Chraňte stroj před deštěm a vlhkem. Vniknutí vody do elektrického stroje zvyšuje nebezpečí elektrického úderu.
  - d) Dbejte na účel kabelu, nepoužívejte jej k nošení či zavěšení stroje nebo vytažení zástrčky ze zásuvky. Udržujte kabel daleko od tepla, oleje, ostrých hran nebo pohyblivých dílů stroje. Poškozené nebo spletené kabely zvyšují riziko elektrického úderu.
  - e) Pokud pracujete s elektronářadím venku, použijte pouze takové prodlužovací kabely, které jsou schváleny i pro venkovní použití. Použití prodlužovacího kabelu, jež je vhodný pro použití venku, snižuje riziko elektrického úderu.
  - f) Pokud se nelze vyhnout provozu elektronářadí ve vlhkém prostředí, použijte ochranný jistič. Nasazení ochranného jističe snižuje riziko úderu elektrickým proudem.
- ### 3) BEZPEČNOST OSOB
- a) Buďte pozorní, dávejte pozor na to, co děláte a přistupujte k práci s elektronářadím rozumně. Stroj nepoužívejte pokud jste unaveni nebo pod vlivem drog, alkoholu nebo léků. Moment nepozornosti při použití elektronářadí může vést k vážným poraněním.
  - b) Noste osobní ochranné pomůcky a vždy ochranné brýle. Nošení osobních ochranných pomůcek jako maska proti prachu, bezpečnostní obuv s protiskluzovou podrážkou, ochranná přilba nebo sluchátka, podle druhu nasazení elektronářadí, snižují riziko poranění.
  - c) Zabraňte neúmyslnému uvedení do provozu. Přesvědčte se, že je elektronářadí vypnuté dříve než jej uchopíte, poneseťe či připojíte na zdroj proudu a/ nebo akumulátor. Máte-li při nošení elektronářadí prst na spínači nebo pokud stroj připojíte ke zdroji proudu zapnutý, pak to může vést k úrazům.
  - d) Než stroj zapnete, odstraňte seřizovací nástroje nebo šroubovák. Nástroj nebo klíč, který se nachází v otáčivém dílu stroje, může vést k poranění.
  - e) Nepřeceňujte se. Zajistěte si bezpečný postoj a vždy udržujte rovnováhu. Tím můžete stroj v neočekávaných situacích lépe kontrolovat.
  - f) Noste vhodný oděv. Nenoste žádný volný oděv nebo šperky. Vlasy a oděv udržujte daleko od pohyblivých se dílů. Volný oděv, šperky nebo dlouhé vlasy mohou být zachyceny pohyblivými se díly.
  - g) Lze-li namontovat odsávací či zachycující přípravky, přesvědčte se, že jsou připojeny a správně použity. Použití odsávání prachu může snížit ohrožení prachem.
  - h) Dbejte na to, abyste při častém používání nářadí nebyli méně ostražití a nezapomínali na bezpečnostní zásady. Nedbalé ovládání může způsobit těžké poranění za zlomek sekundy.
- ### 4) SVĚDOMITĚ ZACHÁZENÍ A POUŽÍVÁNÍ ELEKTRONÁŘADÍ
- a) Stroj nepřetěžujte. Pro svou práci použijte k tomu určený stroj. S vhodným elektronářadím budete pracovat v udané oblasti výkonu lépe a bezpečněji.
  - b) Nepoužívejte žádné elektronářadí, jehož spínač je vadný. Elektronářadí, které nelze zapnout či vypnout je nebezpečné a musí se opravit.
  - c) Než provedete seřízení stroje, výměnu dílů příslušenství nebo stroj odložíte, vytáhněte zástrčku ze zásuvky a/nebo odstraňte odpojitelný akumulátor. Toto preventivní opatření zabrání neúmyslnému zapnutí stroje.
  - d) Uchovávejte nepoužívané elektronářadí mimo dosah dětí. Nenechte stroj používat osobám, které se strojem nejsou seznámeny nebo nečetly tyto pokyny. Elektronářadí je nebezpečné, je-li používáno nezkušenými osobami.
  - e) Pečujte o elektronářadí a příslušenství svědomitě. Zkontrolujte, zda pohyblivé díly stroje bezvadně fungují a nevzpřichují se, zda díly nejsou zlomené nebo poškozené tak, že je omezena funkce stroje. Poškozené díly nechte před nasazením stroje opravit. Mnoho úrazů má příčinu ve špatně udržovaném elektronářadí.
  - f) Řezné nástroje udržujte ostré a čisté. Pečlivě ošetřované řezné nástroje s ostrými řeznými hranami se méně vzpřichují a dají se lehčeji vést.
  - g) Používejte elektronářadí, příslušenství, nasazovací nástroje apod. podle těchto pokynů. Respektujte přítom pracovní podmínky a prováděnou činnost. Použití elektronářadí pro jiné než určující použití může vést k nebezpečným situacím.
  - h) Udržujte rukojeti a úchytné plochy suché, čisté a bez oleje a maziva. Kluzké rukojeti a úchytné plochy neumožňují bezpečnou manipulaci a ovládání nářadí v neočekávaných situacích.
- ### 5) SERVIS
- a) Nechte Váš stroj opravit pouze kvalifikovaným odborným personálem a pouze s originálními náhradními díly. Tím bude zajištěno, že bezpečnost stroje zůstane zachována.

## BEZPEČNOSTNÍ UPOZORNĚNÍ PRO OKRUŽNÍ PILY

### 1) ZACHÁZENÍ S PILOU

- a) NEBEZPEČÍ : Mějte své ruce mimo oblast řezání a mimo pilový kotouč. Svou druhou rukou držte řídivnou rukojeť nebo motorovou skříň. Pokud obě ruce drží pilu, nemůže je pilový kotouč poranit.
- b) Nesahejte pod řezaný předmět. Ochranný kryt vás pod řezaným předmětem před pilou nechrání.
- c) Hloubku řezu přizpůsobte tloušťce obrobku. Pod obrobkem by měl být viditelný téměř celý zub pilového listu.
- d) Nikdy nedejte řezaný obrobek v ruce nebo přes nohu. Obrobek zajistěte stabilním upnutím. Je důležité obrobek dobře upevnit, aby se minimalizovalo nebezpečí kontaktu s tělem, sevření pilového kotouče nebo ztráta kontroly.
- e) Elektronářadí se dotýkejte pouze na izolovaných uchopovacích plochách, protože stříhací čepele se mohou dotknout skryté kabeláže nebo vlastního kabelu (stříhací čepele dotýkající se vodiče, který je pod proudem, mohou způsobit přenos proudu do neizolovaných částí elektronářadí a způsobit zásah uživatele elektrickým proudem)
- f) Používáte-li rozmítací pilu, použijte vždy příslušný

ochranný kryt nebo průměrné pravítko. Zvýší se tím přesnost řezu a sníží se nebezpečí zaseknutí pilou.

- g) **Používejte vždy pilové kotouče ve správné velikosti a s licující upínacím otvorem (např. v hvězdicovém tvaru nebo kruhový).** Pilové kotouče, jež nelicují k montážním dílům pily, běží nekruhově a vedou ke ztrátě kontroly.
- h) **Na nástroji se nesmějí používat poškozené a nesprávné podložky a šrouby.** Podložky a šrouby jsou určeny speciálně pro tuto pilu, jinak nebude nástroj správně a bezpečně fungovat.

## 2) ZPĚTNÝ VRH - PŘÍČINY A PŘÍSLUŠNÁ UPOZORNĚNÍ

- Ke zpětnému vrhu dojde následkem přiskřípnutí nebo zablokování listu pily nebo při výstředním pohybu listu; pila se přitom nezvládnutě zdvihne a vyjede z řezaného předmětu směrem k pracovníkovi
- Jestliže se pila v řezaném materiálu přiskřípne nebo pevně zablokuje, list pily se zastaví a motor zareaguje tím, že vyhodí nástroj prudce zpět směrem k pracovníkovi
- Jestliže se list pily v řezu zkroutí nebo vystředuje, mohou se zuby na zadním ostří listu zarýt do horního povrchu dřeva, přičemž list vyskočí ze zářezu a nástroj skočí zpět směrem k pracovníkovi
- Zpětný ráz je důsledek nesprávného nebo chybného použití elektronářadí. Lze mu zabránit vhodnými preventivními opatřeními, jak je následně popsáno.

- a) **Držte nástroj pevně oběma rukama a postavte se tak, abyste svým tělem i pažemi mohli případnému zpětnému vrhu odolat. Postavte se k pile z jedné nebo druhé strany, nestůjte přímo za ní.** Pila může při zpětném rázu odskočit dozadu, avšak sílu způsobenou zpětným rázem lze zvládnout, podniknete-li náležité ochranné kroky.
- b) **Začne-li pila zadržávat nebo z nějakého důvodu řezání přerušujete, uvolněte spínač a podržte pilu pevně v řezu až do jejího úplného zastavení. Nikdy se nesnažte běžící pilu vytáhnout z materiálu nebo jí pohnout dozadu, neboť přitom dojde ke zpětnému vrhu.** Při zadržávání pily zjistíte důvody a odstraníte je. Dejte pozor, aby pila nenarazila na hřebíky či šrouby.
- c) **Jestliže pilu v řezu opět spouštíte, řádně ji v něm vystředujte a zkontrolujte, zda se zuby listu nedotýkají řezaného materiálu.** Jsou li zuby listu "zakousnuté" do materiálu, může nástroj při špuštění z materiálu vyjet nebo vyskočit zpět.
- d) **Při řezání velkých desek podepřete obě strany, aby list při řezání neskříply a nedošlo ke zpětnému vrhu.** Velké desky se vlastní vahou prohnu. Musíte je podepřít na obou stranách, a to poblíž řezu i na obou koncích.
- e) **Nepoužívejte tupé ani poškozené listy.** Při tupém či nesprávně nastaveném ostří bude řez příliš úzký, takže dojde k přílišnému tření, pila se bude zasekávat a způsobí zpětný vrh.
- f) **Před řezáním nastavte správnou hloubku a skosení řezu a pevně je zajistěte pojistnými páčkami.** Jestliže se list při řezání vyhne, může to způsobit zaseknutí a zpětný vrh.
- g) **Buďte obzvláště opatrní při řezání do stávajících stěn nebo míst, kam není vidět.** Zanořující se pilový kotouč se může při řezání v skrytých objektech zablokovat a způsobit zpětný vrh.
- 1) **FUNKCE SPODNIHO OCHRANNÉHO KRYTU**
- a) **Před každým použitím vždy zkontrolujte, zda se**

- spodní ochranný kryt řádně zavírá. Jestliže se spodní ochranný kryt volně nepohybuje a okamžitě se nezavírá, nesmí se nástroj používat. Spodní ochranný kryt se nesmí zajišťovat v otevřeném poloze.** Jestliže pilu náhodou upustíte, může se spodní ochranný kryt ohnout. Rozpojte přívodní šňůru, spodní ochranný kryt zasouvací rukojetí zdvihnete a zkontrolujete, zda se volně pohybuje a při libovolném úhlu a hloubce řezání se nedotýká ani listu, ani žádné jiné části nástroje.
- b) **Zkontrolujte, zda pero spodního ochranného krytu správně funguje. Jestliže ochranný kryt nebo pero správně nefunguje, musí se nástroj před použitím opravit.** Poškozené součástky, lepkavost a usazené nečistoty způsobí pomalou reakci spodního ochranného krytu.
- c) **Spodní ochranný kryt se smí zdvihnout ručně pouze při provádění speciálních úkonů, jako jsou zapichovací a složené řezy. V tomto případě ochranný kryt zasouvací rukojetí zdvihnete a jakmile list pily materiál nařízne, musíte kryt spustit.** U všech ostatních způsobů řezání by měl kryt fungovat automaticky.
- d) **Než nástroj odložíte na stůl nebo na podlahu, vždy zkontrolujte, zda je list pily zakrytý spodním ochranným krytem.** Jestliže pila pomalu dobíhá a není chráněná, bude "kráčet" dozadu a řezat vše, s čím přijde do styku. Nezapomeňte, že po uvolnění spínacího tlačítka pila chvíli dobíhá.

## DOPLŇKOVÁ BEZPEČNOSTNÍ UPOZORNĚNÍ

- Proces sepnutí způsobí krátkodobý pokles napětí; při nepříznivých podmínkách v síti se může projevit omezení jiných strojů (při síťové impedanci menší než 0,468 ohmů se nedají očekávat žádné poruchy); pro bližší vysvětlení se můžete obrátit na svého lokálního distributora elektrické energie

## OBEČNĚ

- Tento nástroj nesmí používat osoby mladší 16 let
- Nářadí není vhodný k řezání za vlhka
- **Před seřizováním, měněním pilových listů a příslušenství, vždy vytáhněte zástrčku nářadí z el. sítě**
- Nikdy nástroj nepoužívejte, je-li jeho přívodní šňůra poškozená, šňůra musí být vyměněna za speciálně navrženou šňůru, která je k dispozici přes servisní středisko.
- **Nepracovávají žádné materiály obsahující azbest** (azbest je karcinogenní)
- Prach z látek, jako jsou barvy obsahující olovo, některé druhy dřeva, minerály a kovy, může být škodlivý (kontakt s prachem nebo jeho vdechnutí může způsobit alergickou reakci a/nebo vyvolat respirační choroby u obsluhy nebo přihlížejících); **nošte protiprachovou masku a pracujte se zařízením na odsávání prachu, pokud je možné jej připojit**
- Některé druhy prachu jsou klasifikovány jako karcinogenní (například dubový a bukový prach) zejména ve spojení s přísadami pro úpravu dřeva; **nošte protiprachovou masku a pracujte se zařízením na odsávání prachu, pokud je možné jej připojit**
- Dodržujte stanovená nařízení pro práci v prášném prostředí



- Použijte pouze pilový stůl obsahující bezpečnostní spínač zabráňující neúmyslnému spuštění po přerušení napětí
- Použijte pouze pilový stůl obsahující rozvěrný klín

#### PŘÍSLUŠENSTVÍ

- SKIL zajistí bezvadnou funkci nářadí pouze tehdy, použijte-li původní značkové
- Použijte pouze pilové kotouče, jež odpovídají charakteristickým údajům uvedeným v tomto návodu k obsluze a jsou zkoušeny podle EN 847-1 a příslušné označeny
- Použijte pouze příslušenství, jejichž dovolené otáčky jsou alespoň tak vysoké jako nejvyšší otáčky stroje naprázdno
- Použijte pouze listy pily s minimálním průměrem 184 mm, maximálním průměrem 184 mm a otvorem pro vřeteno 16 mm (5820)
- Použijte pouze listy pily s minimálním průměrem 190 mm, maximálním průměrem 190 mm a otvorem pro vřeteno 16 mm (5830)
- Není přípustné používání listů z vysoce legovaných, rychle pracujících ocelí (HSS)
- Nikdy nepoužívejte brusné/řezné kotouče s tímto nářadím

#### PŘED POUŽITÍM

- Vždy zkontrolujte, zda je napájecí napětí stejné jako napětí uvedené na typovém štítku nástroje
- Vrtačku nepoužívejte je-li navlhla a nepracuje v blízkosti snadno zápalných nebo výbušných materiálů; před zahájením práce je odstraňte
- Před začátkem řezání odstraňte z řezané dráhy všechny překážky jak nahoře tak vespod obrobku
- **Zajistěte obráběný díl** (obráběný díl uchycený pomocí upínacích zařízení nebo ve svěráku je mnohem bezpečnější než v ruce)
- **Použijte vhodné hledací přístroje k vyhledání skrytých přírodních vedení nebo přivzete místní dodavatelskou společnost** (kontakt s el. vedením může vést k požáru a elektrickému úderu; poškození plynového vedení může vést k explozi; proniknutí do vodovodního potrubí může způsobit věcné škody nebo elektrický úder)
- Použijte zcela rozvinuté a bezpečné prodlužovací šňůry o kapacitě 16 ampér

#### BĚHEM POUŽITÍ

- Hladina hluku může při práci přesáhnout 85 dB(A); vhodným prostředkem si chraňte uši
- Nikdy nepoužívejte nářadí bez originálního chrániče
- Nezkoušejte řezat extrémně malé výrobky
- S nářadím nepracujte nad hlavou
- V případě zaseknutí nářadí či jiné závady okamžitě nářadí vypněte a vytáhněte zástrčku z el. sítě
- Jestliže přivodní šňůru při práci podkódníte nebo proříznete, nedotýkejte se jí a okamžitě ji vytáhněte ze síťové zásuvky

#### PO POUŽITÍ

- Jakmile se hodláte vzdálit od nářadí, měl byste ho vypnout a vyčkat, dokud se pohybující části nezastaví
- Po vypnutí nářadí nikdy nepřibrzdujte pilové listy tlakem ze strany

#### VYSVĚTLENÍ SYMBOLŮ NA NÁŘADÍ

- ③ Před použitím si přečtete návod k použití
- ④ Dvojitá izolace (není nutný zemnicí drát)
- ⑤ Nářadí nevyhazujte do komunálního odpadu

## OBSLUHA

- Montáž listu pily ②
  - ! **rozpojte přivodní šňůru**
  - vyjměte klíče pilového listu T z držáku V
  - stlačte blokovací tlačítko vřetene C a podržte stlačené, zatímco vyšroubujete šroub upevnění listu pily D imbusový m klíčem T, kterým otáčíte ve
  - ! **blokovací tlačítko vřetene C stlačte pouze tehdy, když je nářadí v klidu**
  - uvolněte blokovací tlačítko vřetene C
  - odstraňte upevňovací podložku E
  - ! **zajistěte, že povrchy přírub H jsou naprosto čisté a že přiléhají na list pily**
  - otevřete spodní ochranný kryt pily F stlačením páky G a držte ji, zatímco namontujete list pily tak, že zuby pily a šípka natištěná na listu pily směřují stejným směrem jako šípka na horním ochranném krytu
  - uvolněte spodní ochranný kryt F
  - nasadte podložku E
  - zatlačte blokovací tlačítko vřetene C a držte, zatímco utáhnete šroub upevnění listu pily klíčem pilového listu o 1/8 otáčky a to velmi mírně (je zajištěno prokluzování pilového listu, při setkání s nadměrným odporem a tak snížení přetížení motoru a zpětného rázu)
  - uvolněte blokovací tlačítko vřetene C
- Nastavení hloubky řezu ⑥
  - pro optimální kvalitu řezu by pilový list neměl zasahovat více než 3 mm pod obrobek
  - uvolněte knoflík J
  - vytáhněte/snižte patu K až do požadované hloubky řezu vyznačeného na stupnici pomocí indikátoru L
  - utáhněte knoflík J
- Nastavení úhlu řezu (0-50°) ⑦
  - uvolněte knoflík M
  - nakloňte nářadí až do požadovaného úhlu řezu vyznačeného na stupnici pomocí indikátoru N
  - utáhněte knoflík M
  - ! **v případě úhlového řezání nesouhlasí skutečná hloubka řezu s hloubkou řezu uvedenou na stupnici**
- Kontrola řezacího úhlu 90° ⑦
  - nastavte a utáhněte patu K na max. hloubku řezu ⑥
  - nastavte a utáhněte řezací úhel na 0°
  - pomocí úhelníku zkontrolujte 90° úhel mezi pil. listem a spodní částí paty
  - jestliže nastavení neodpovídá, uvolněte knoflík M a použijte seřizovací šroub P dle obrázku
- Nastavitelný indikátor linie řezu Q ⑧
  - pro přesné vedení nářadí po obrobku v požadovaném směru
  - při přímém řezání v rozsahu úhlů 0°-45° indikátor kopíruje obrobek
  - ! **pata by měla být plně přitlačena k obrobku**
  - Lze provést zarovnaní s jinými šířkami pilových listů, nicméně pokud se stane, že jedna strana pilového listu se nezarovná, pak si vyberte, zda bude odpad na vnitřní nebo vnější straně listu ⑧
  - ! **šířka řezu je dána šířkou rozvedení zubů listu, nikoliv tloušťkou listu**
  - ! **vždy proveďte nejdříve zkušební řez pro ověření skutečné linie řezu**

- Odsávání prachu
  - odsávací hadice nasazená na adaptér Y ④
  - ! **dbejte, aby hadice odsáváče při řezání neprekážela spodnímu chrániči a obsluze nářadí**
- Použití nástroje ⑨
  - zapnete zástrčku do sítě el. energie
  - neustále pevně držte jednou rukou rukojeť R a druhou rukou rukojeť S
  - umístěte nářadí přední hranou paty na obrobek
  - ! **ujistěte se, že zuby pilového listu nejsou zaseknuty do obrobku**
  - spusťte nářadí nejdříve stisknutím tlačítka B (= bezpečnostní spínač, který nemůže být zaaretován) a poté stisknutím spouště A
  - ! **nářadí by nemělo běžet na plný výkon před vniknutím do obrobku**
  - pronikáním pilového listu do obrobku se automaticky otevírá spodní chránič F (použitím páky G můžete otevřít spodní chránič ručně - pouze pro speciální řezání, např. ponorné řezání)
  - ! **na nástroj netlačte příliš (tlačte na něj zlehka a plynule, abyste zamezili přehřívání hrotů čepele, a pokud řežete plast, také tavení plastu)**
  - ! **při práci vždy držte nástroj v šedé zbarvené oblasti rukojeti**
  - tlak po ukončení řezání vypnete nářadí uvolňováním spouště A
  - ! **před vyjmutím nářadí z obrobku nejdříve sečkejte do úplného zastavení pilového listu**

## NÁVOD K POUŽITÍ

- Při řezání položte obrobek tak, aby strana s lepším povrchem byla vespod k zajištění min. štěpení
- Používejte pouze ostré pilového listy správného typu ⑩
  - kvalita řezu se zvýší počtem ozubení na pilového listu
  - pilového listy z tvrdých kovů mají až 30 krát delší životnost než běžné pilového listy
- Paralelní doraz Z ⑪
  - k provádění přesných řezů podél hrany obrobku
  - může být připevněn ke kterékoliv straně paty
  - Nastavení paralelního dorazu
  - uvolněte knoflíku AA
  - nastavte na požadovanou šířku řezání použitím stupnice paralelního dorazu (použijte indikátor linie řezu Q jako 0-vodítko)
  - utáhněte knoflíku AA
- Zapichovací řezy ⑫
  - nastavte požadovanou hloubku řezu
  - nakláňejte nástroj dopředu tak, aby indikátor linie řezu Q byly zarovnaný s požadovanou linií řezu vyznačenou na řezaném předmětu
  - otevřete spodní ochranný kryt pily F stlačením páky G
  - těsně před vniknutím listu do obrobku spusťte nářadí a pozvolně snižujte zadní část paty použitím přední hrany paty jako pantu
  - neustále pohybujte nářadím směrem dolů a vpřed
  - jakmile list pily materiál nařízne, můžete uvolnit páku G
  - ! **nikdy neved'te nářadí ve zpátečním směru**
- Řezání velkých panelů ⑬
  - přiložte panel přílehavě k řezací podlaze, stolu nebo lavici

**! nastavte hloubku řezu tak, aby umožňovala prořezání pouze panelu, nikoliv podložky**

- v případě, že paralelní doraz nebude svým rozsahem postačovat požadované šířce řezu, přitiskněte k panelu přímou dřevěnou lištu jako vodítka ved'te pravou stranu paty podél této lišty

## ÚDRŽBA / SERVIS

- Tento nástroj není určen k profesionálnímu použití
- Nástroj a přírodní šňůru udržujte čisté (zejména větrací šterbiny AB)
- ! **před čištěním odpojte zástrčku**
- Prostor kolem spodního ochranného krytu F ② vždy udržujte v čistotě (odstraňte prach a třísky vyfoukáním stlačeným vzduchem nebo kartáčem)
- Pilové listy čistěte okamžitě po jejich použití (především od pryskyřice a lepidla)
- Pokud dojde i přes pečlivou výrobu a náročnou kontrolu k poruše nástroje, svěřte provedení opravy autorizovanému servisnímu středisku pro elektronářadí firmy SKIL
  - zašlete nástroj **nerozebraný** spolu s potvrzením o nákupu své prodejny nebo nejbližšímu servisu značky SKIL (adresy a servisní schema nástroje najdete na [www.skil.com](http://www.skil.com))
- Uvědomte si, že na poškození způsobené přetížením nebo nesprávným zacházením se nevztahuje záruka (záruční podmínky společnosti SKIL najdete na adrese [www.skil.com](http://www.skil.com) nebo se obraťte na prodejce)

## ŽIVOTNÍ PROSTŘEDÍ

- **Elektrické nářadí, doplňky a balení nevyhazujte do komunálního odpadu** (jen pro státy EU)
  - podle evropské směrnice 2012/19/EG o nakládání s použitými elektrickými a elektronickými zařízeními a odvolávajících ustanovení právních předpisů jednotlivých zemí se použítá elektrická nářadí, musí sbírat odděleně od ostatního odpadu a podrobit ekologicky šetrnému recyklování
  - symbol ⑤ na to upozorňuje

## HLUČNOSTI / VIBRACÍ

- Při měření v souladu s normou EN 62841 je hladina akustického tlaku tohoto nástroje 97,0 dB(A) a hladina hlučnosti 108,0 dB(A) (nepřesnost K = 3 dB), a vibrace \* (celkové hodnoty vibrací; nepřesnost K = 1,5 m/s<sup>2</sup>)
  - \* řezání dřeva 4,0 m/s<sup>2</sup>
  - \* řezání kovu 2,8 m/s<sup>2</sup>
- Úroveň vibrací byla měřena v souladu se standardizovaným testem podle EN 62841; je možné ji použít ke srovnání jednoho přístroje s druhým a jako předběžné posouzení vystavování se vibracím při používání přístroje k uvedeným aplikacím
  - používání přístroje k jiným aplikacím nebo s jiným či špatně udržovaným příslušenstvím může zásadně **zvýšit** úroveň vystavení se vibracím
  - **doba**, kdy je přístroj vypnutý nebo kdy běží, ale ve skutečnosti není využíván, může zásadně **snižit** úroveň vystavení se vibracím
- ! **chráňte se před následky vibrací tak, že budete dbát na údržbu přístroje a příslušenství, budete si udržovat teplé ruce a uspořádáte si své pracovní postupy**

## Daire testere

5820/5830

## GİRİŞ

- Bu alet, sabit dayama suretiyle tahtada düz ve 50°'ye kadar açılı kesme işleri için geliştirilmiştir; uygun testere bıçaklarıyla demir dışı metaller, hafif yapı malzemeleri ve plastikler de kesilebilir
- Bu alet profesyonel kullanıma yönelik değildir
- Bu kullanma kılavuzunu okuyun ve saklayın ③

## TEKNİK VERİLER ①

## ALET BİLEŞENLERİ ②

- A Tetik svıç
- B Emniyet salteri
- C Mil kilitleme düğmesi
- D Bıçak civatası
- E Flanş
- F Alt muhafaza
- G Alt muhafazayı açma kolu
- H Sıkma yüzeyi
- J Kesme derinliğini ayarlama düğmesi
- K Ayak plakası
- L Kesme derinliği göstergesi
- M Kesme açısı ayar düğmesi
- N Kesme açısı göstergesi
- P 90° uç tespit parçası ayarlama vidası
- Q Bıçak korumalıđı
- R Arka tutamak
- S Ön tutamak
- T Bıçak anahtarı
- V Bıçak anahtarı bölmesi
- W Talaş çıkışı
- Y Süpürge bağlantısı
- Z Yan dayamak
- AA Hassas kesim aparatını ayarlama düğmesi
- AB Havalandırma yuvaları

## GÜVENLİK

## GENEL ELEKTRİKLİ EL ALETİ GÜVENLİK UYARILARI

**⚠ UYARI** Bu elektrikli alet ile birlikte verilen tüm uyarıları, talimatları, resimleri ve özellikleri okuyun. Aşağıda listelenen talimatların tamamına uyulmaması durumunda elektrik çarpması, yangın ve/veya ciddi yaralanmalar meydana gelebilir.

**Tüm uyarı ve talimatları ilerde kullanmak üzere saklayın.**

Uyarı ve talimat hükümlerinde kullanılan "elektrikli el alet" kavramı, akım şebekesine bağlı (şebeke bağlantı kablosu ile) aletlerle akü ile çalışan aletleri (akım şebekesine bağlantısı olmayan aletler) kapsamaktadır.

## 1) ÇALIŞMA YERİ GÜVENLİĞİ

- a) Çalıştığınız yeri temiz ve düzenli tutun. Düzensizlik veya yetersiz aydınlatma kazalara neden olabilir.

- b) Yanıcı sıvıların, gazların veya tozların bulunduđunu patlama tehlikesi olan yer ve mekânlarda aletle çalışmayın. Elektrikli el aletleri, toz veya buharların tutuşmasına veya yanmasına neden olan kıvılcımlar çıkarırlar.
  - c) Elektrikli el aletiyle çalışırken çocukları ve başkalarını çalışma alanınızın uzađında tutun. Yakınıınızda bulunan kişiler dikkatinizi dağıtabilir ve bu da alet üzerindeki kontrolünüzü kaybetmenize neden olabilir.
- 2) ELEKTRİKSEL GÜVENLİK**
- a) Aletin bağlantı fişini prize uymalıdır. Fişini hiçbir şekilde deđiştirmeyin. Koruyucu topraklamalı aletlerle adaptörlü fiş kullanmayın. Deđiştirilmemiş, orijinal fiş ve uygun prizler elektrik çarpma tehlikesini azaltır.
  - b) Borular, kalorifer tesisatı, ısıtıcılar ve buzdolapları gibi topraklanmış yüzeylerle bedensel temasa geçmekten kaçının. Eđer bedeniniz topraklanacak olursa yüksek bir elektrik çarpma tehlikesi ortaya çıkar.
  - c) Aleti yağmur ve nemden koruyun. Elektrikli el aletinin içine suyun sızması elektrik çarpma tehlikesini yükseltir.
  - d) Kabloyu kendi amacı dışında kullanmayın; örneđin aleti kablodan tutarak taşımayın, aleti kablo ile asmayın veya kablodan çekerek fiş prizden çıkarmayın. Kabloyu aşırı sıcaktan, yağlardan, keskin kenarlı cisimlerden veya aletin hareketli parçalarından uzak tutun. Hasarlı veya dolaşmış kablo elektrik çarpma tehlikesini yükseltir.
  - e) Elektrikli el aletiyle açık havada çalışırken mutlaka açık havada kullanılmaya uygun uzatma kablosu kullanın. Açık havada kullanılmaya uygun uzatma kablosunun kullanılması elektrik çarpma tehlikesini azaltır.
  - f) Elektrikli el aletinin nemli ortamlarda çalıştırılması şartsa, mutlaka kaçak akım cihazı (RCD) kullanın. RCD kullanımı elektrik çarpma tehlikesini azaltır.
- 3) KİŞİLERİN GÜVENLİĞİ**
- a) Dikkatli olun, ne yaptığınıza dikkat edin ve elektrikli el aletiyle çalışırken makul hareket edin. Yorgunsanız, ilaç kullanıyorsanız veya uyuşturucu madde ya da alkol etkisi altındaysanız aleti kullanmayın. Aleti kullanırken bir anlık dikkatsizliğiniz ciddi yaralanmalara yol açabilir.
  - b) Daima kişisel korunma donanımları ve bir koruyucu gözlük kullanın. Elektrikli el aletinin türü ve kullanımına uygun olarak kullanacağınız toz maskesi, kaymayan sağlam iş ayakkabıları, koruyucu kask veya koruyucu kulaklık gibi kişisel korunma donanımlarını kullanmanız yaralanma tehlikesini büyük ölçüde azaltır.
  - c) Aleti yanlışlıkla çalıştırmaktan kaçının. Akım ikmal şebekesine ve/veya aküye bağlamadan, elinize alıp taşımadan önce elektrikli el aletinin kapalı durumda olduđundan emin olun. Elektrikli el aletini parmađınız salter üzerinde dururken taşırsanız ve alet açıkken fiş prize sokarsanız kazalara neden olabilirsiniz.
  - d) Aleti çalıştırmadan önce ayar aletlerini veya tornavidaları aletten uzaklaştırın. Dönen alet parçasına temas halinde bulunan bir uç veya anahtar yaralanmalara neden olabilir.
  - e) Kendinize çok fazla güvenmeyin. Duruşunuzun güvenli olmasına dikkat edin ve daima dengeyi koruyun. Bu sayede aleti beklenmedik durumlarda daha iyi kontrol edersiniz.
  - f) Uygun iş elbiseleri giyin. Geniş giysiler giymeyin ve takı takmayın. Saçlarınızı ve giysilerinizi aletin

hareketli parçalarından uzak tutun. Bol giysiler, takılar veya uzun saçlar aletin hareketli parçaları tarafından tutulabilir.

- g) **Aletinize toz emme donanımı ve toz tutma donanımı takılabiliyorsa, bunların bağlı olup olmadığını ve doğru işlev görüp görmediklerini kontrol edin.** Toz emme donanımının kullanımı tozdan kaynaklanabilecek tehlikeleri azaltır.
- h) **Aletleri sık kullanmanız sebebiyle kazandığınız alışkanlıklar, güvenlik prensiplerine uymanızı önememelidir.** Dikkatsiz bir hareket, bir anda ciddi yaralanmalara yol açabilir.

#### 4) ELEKTRİKLİ EL ALETLERİYLE DİKKATLİ ÇALIŞMAK VE ALETİ DOĞRU KULLANMAK

- a) **Aleti aşırı ölçüde zorlamayın. İşinize uygun elektrikli el aletini kullanın.** Uygun elektrikli el aleti ile belirtilen performans alanında daha iyi ve daha güvenli çalışırsınız.

- b) **Açma/kapama şalteri arızalı olan elektrikli el aletini kullanmayın.** Açılıp kapanamayan bir elektrikli el aleti tehlikelidir ve onarılması gerekir.

- c) **Alette bir ayarlama işlemine başlamadan, herhangi bir aksesuarı değiştirirken veya aleti elinizden bırakırken fişi prizden çekin veya aküyü çıkarın.** Bu önlem, elektrikli el aletinin yanlışlıkla çalışmasını önler.

- d) **Kullanım dışında iken elektrikli el aletinizi çocukların ulaşamayacağı bir yerde saklayın. Aleti kullanmayı bilmeyen veya bu güvenlik talimatını okumayan kişilerin aleti kullanmasına izin vermeyin.** Deneyimsiz kişiler tarafından kullanıldıkları takdirde elektrikli el aletleri tehlikeli olabilirler.

- e) **Elektrikli el aletinin ve aksesuarların bakımını özenle yapın. Aletin hareketli parçalarının kusursuz işlev görüp görmediklerini ve sıkışmadıklarını, parçaların kırık veya hasarlı olup olmadıklarını kontrol edin, aksi takdirde alet işlevini tam olarak yerine getiremez. Aleti kullanmadan önce hasarlı parçaları onartın.** Birçok iş kazası aletlerin kötü ve yetersiz bakımından kaynaklanır.

- f) **Kesici uçları keskin ve temiz tutun.** İyi bakım görmüş kesici uçlar daha ender sıkışır ve daha iyi yönlendirilirler.

- g) **Elektrikli el aletlerini, aksesuarı, uçları ve benzerlerini bu güvenlik talimatına uygun olarak kullanın. Aleti kullanırken çalışma koşullarını ve yaptığınız işi daima dikkate alın.** Elektrikli el aletlerini kendileri için öngörülen işlerin dışında kullanmak tehlikeli durumların ortaya çıkmasına neden olabilir.

- h) **Tutamak ve kavrama yüzeylerini kuru, yağsız ve temiz tutun.** Kaygan tutamak ve kavrama yüzeyleri, aletin beklenmeyen durumlarda güvenli şekilde tutulmasını ve kontrol edilmesini engeller.

#### 5) SERVİS

- a) **Aleti sadece uzman bir elemana ve orijinal yedek parçalar kullanılarak onartın.** Böylelikle aletin güvenliğini korumuş olursunuz.

#### DAİRE TESTERELER İÇİN GÜVENLİK TALİMATI

##### 1) KESME YÖNTEMİ

- a) **TEHLİKE : Ellerinizi kesme yapılan yere ve testere bıçağına yaklaştırmayın. İkinci elinizle ek tutamağı veya motor gövdesini tutun.** İki elinizle testereyi tuttuğunuzda ellerinizin testere bıçağı tarafından

yaralanma tehlikesini önlersiniz.

- b) **Kestiğiniz cismin alt kısmından ellerinizi uzak tutun.** Koruma ünitesi sizi cismin altındaki testere bıçağından koruyamaz.
- c) **Testerenin kesme derinliğini iş parçasına göre ayarlayın.** İş parçasının altından sadece testere bıçağından dışıeri görünecek şekilde ayarlayın.
- d) **Kesilecek iş parçasını hiçbir zaman elinizde veya bacağımızın üzerinde tutmayın. İş parçasını sağlam bir tertibatla emniyete alın.** Testerenin bedeninizle temas gelmesinin, testere bıçağından sıkışmasının veya aletin kontrolünün kaybedilmesinin önüne geçmek için iş parçasının iyi bir biçimde tespit edilmesi önemlidir.
- e) **Kesici bıçaklar gizli kablo tesisatına veya kendi kablusuna temas edebileceği için elektrikli aleti sadece izolasyonlu tutamaklarından tutun** (kesici bıçakların akım ileten elektrik kablusuna temas etmesi aletin metal parçalarının elektrik akımına maruz kalmasına ve kullanılan kişinin elektrige çarpılmasına neden olabilir)
- f) **Yan kesim yaparken her zaman yan dayamak veya düz kenar yarı kullanın.** Böylece daha mükemmel kesim sonucu elde eder, testere bıçağından kayma olasılığını azaltmış olursunuz.
- g) **Daima uygun giriş delikli doğru büyüklükte testere bıçakları kullanın (örneğin yıldız biçimli veya yuvarlak).** Testerenin montaj parçalarına uygun olmayan testere bıçakları balanssız öneriler ve aletin kontrolünün kaybına neden olurlar.
- h) **Kesinlikle zarar görmüş veya uygunsuz bıçak yıkayıcıları ya da civatalar kullanmayın.** Bıçak yıkayıcısı ile civata testereniz için özel olarak tasarlanmıştır ve maksimum performans ile kullanım emniyeti sağlar.

#### 2) GERİ TEPME - NEDENLERİ VE BUNA İLİŞKİN UYARILAR

- Geriye tepme olarak tabir edilen durum, sıkışan, seken veya hizadan çıkan bir testere bıçağından yapıldığı ani hareketler; bu ani hareket, kontrol dışına çıkan testerenin kesilmekte olan parçadan çıkarak testere kullanıcılarının üzerine doğru yönelmesine neden olur
  - Testere bıçağından kesim hattının daralması veya kapanması sonucu sıkışması ya da takılması, testerenin dönmelerini engeller ve motorun tepkimesi sonucu kesim birimi aniden ve süratle testere kullanıcılarına doğru geri tepebilir
  - Testere bıçağı kesim esnasında ters dönerse ya da hizadan çıkarsa, bıçağın arka kenarındaki dişler kesilen cismin üst tabakasının içine kazılarak bıçağı kesim hattından çıkıp kullanıcının üzerine doğru tepmesine neden olabilir
  - Geri tepme elektrikli el aletinin yanlış veya hatalı kullanımının bir sonucudur. Geri tepme kuvveti aşağıda belirtilen önlemlerle önlenir.
- a) **Testere tutacaklarını iki elle sıkıca tutun ve kolunuzu olası bir geri tepmeyi karşılayabilecek şekilde pozisyonlandırın. Testere bıçağından yan taraflarından birinde durmaya özen gösterin, kesinlikle testere bıçağı kesim hattı üzerinde durmayın.** Geri tepme yüzünden testere aniden geriye hareket edebilir, kullanıcının doğru tedbirleri alması halinde geri tepme gücü kontrol edilebilir hale gelir.
- b) **Testere bıçağı takılırsa, ya da kesme işlemine hangi nedenle olursa olsun ara vermek istediğinizde,**

**çalıştırma düğmesini bırakın ve testereyi bıçak tamamen hareketsiz hale gelene kadar sabit tutun. Testereyi, bıçak henüz çalışır haldeyken kesinlikle cisimden çıkarmayın ya da geriye doğru çekmeyin. Aksi takdirde geri tepme meydana gelebilir.** Kesme çalışmalarına başlamadan önce, testerenin takılmasına neden olabilecek engelleri kaldırın, gerekli tedbirleri alın ve çivi veya vida gibi cisimleri kesmemeye özen gösterin.

- c) **Testereyi, kesme işlemine devam etmek için tekrar cisimdeki kesim hattına soktuğunuzda, testere bıçağının keşiğın ortasına yerleştirin ve testere dişlerinin cisim ile temas etmemesine özen gösterin.** Aksi takdirde, testerenin tekrar çalıştırılması halinde bıçak dişleri geri tepmeye neden olabilir.
- d) **Testere bıçağının sıkışmasını ve geri tepmeyi önlemek için keseceğiniz geniş panellerde destek kullanın.** Geniş paneller kesilirken kendi ağırlığı altında sarkma belirtisi gösterir. Bu nedenle kesilen panelin alttan her iki taraftan, hem kesim hattına yakın bir yerden hem kenarlardan desteklenmesi gerekir.
- e) **Körelmiş veya hasarlı bir bıçak kullanmayın.** Bilenmemiş veya uygun takılmamış bıçaklar dar bir kesime yol açarak aşırı sürtünmeye, kesim aletinin takılmasına ve geri tepmeye neden olur.
- f) **Bıçağın kesim derinliğini ve aç ayarını düzenleyen manivelaların kesme işlemine başlamadan önce sıkıca ve emniyetli bir biçimde kurulmuş olmasına özen gösterin.** Eğer testere bıçağının açısını ve derinliğini ayarlayan parçalar kesim esnasında yerinden oynarsa, bu bıçağın takılmasına ve geri tepmeye neden olabilir.
- g) **Özellikle mevcut duvarlarda ve diğer görünmeyen yerlerde kesme yaparken dikkatli olun.** Malzeme içine giren testere bıçağı görünmeyen nesnelere içinde bloke olabilir ve geri tepme kuvvetlerinin ortaya çıkmasına neden olabilir.
- 1) **ALT KORUYUCU KAPAĞIN FONKSİYONU**
- a) **Her kullanımdan önce testerenin alt koruyucusunun düzgün biçimde kapanıp kapanmadığını kontrol edin.** Alt koruyucunun serbestçe hareket etmemesi ve anında kapanmaması halinde testereyi çalıştırmayın. **Alt koruyucuyu hiçbir zaman açık pozisyona gelecek biçimde sıkıştırmayın veya bağlamayın.** Testerenin yanlışlıkla düşmesi halinde meydana gelen darbe sonucu alt koruyucu eğilime olabilir. Şebeke fişini çekin, alt koruyucuyu geriye çekilebilen tutacak ile kaldırarak serbestçe hareket edebilmesini sağlayın. Ayrıca alt koruyucunun hiçbir kesim açısı ve derinliğinde testere bıçağı veya başka parçalar ile temas haline gelmemesi için özen gösterin.
- b) **Alt koruyucuya bağlı yayın düzgün biçimde çalışır durumda olup olmadığını kontrol edin.** Eğer koruyucu ile yay düzgün biçimde çalışmıyorsa, ürünün yetkili servis tarafından bakımı yapılmalıdır. Zarar görmüş parçalar, yapışkan birikintiler veya birikmiş döküntüler alt koruyucunun ağır çalışmasına neden olabilir.
- c) **Alt koruyucu, sadece yukarıdan aşağı yapılan kesimler ve küçük parçaların kesimi gibi özel işlemlerde elle geriye çekilmelidir.** Alt koruyucuyu tutacağı geriye doğru çekerek kaldırın ve testere bıçağı cismi kesmeye başladığı anda alt koruyucuyu bırakın. Tüm diğer kesim biçimlerinde alt koruyucu

otomatik olarak çalıştırılmaldır.

- d) **Testereyi kesim tezgâhına veya zemine bırakmadan önce, alt koruyucunun testere bıçağını kaplayarak örtmesine özen gösterin.** Koruyucusu olmayan ve çalışır durumda olan bir bıçak testerenin geriye doğru hareket etmesine ve hareket hattında bulunan her şeyi kesmesine neden olacaktır. Testereyi kapatıldıktan sonra bıçağın tamamen hareketsiz hale gelmesi için gerekli olan süreyi hiçbir zaman gözden kaçırmayın.

## EK GÜVENLİK TALİMATI

- Açma ve anahtarlar işlemleri kısa süreli gerilim düşmelerine neden olur; elektrik şebekelerinin koşulları uygun olmadığı takdirde bu durum diğer aletlerin çalışmasına olumsuz yönde etkide bulunabilir (0,468 Ohm'dan daha küçük şebeke empedanslarında arızalar ortaya çıkmaz); daha aydınlatıcı bilgi için, bölgenizde bulunan yetkili servise başvurun

## GENEL

- Bu alet 16 yaşın altındaki kişiler tarafından kullanılmamalıdır
- Bu alet sulu kesme işlerine uygun değildir
- **İstediğiniz ayar değişikliklerini ve aksesuar değişikliklerini yapmadan önce mutlaka şebeke fişini prizden çekin**
- Aleti asla kablo hasarlıyken kullanmayın; kablonun yetkili servis tarafından özel olarak hazırlanmış bir kablo ile değiştirilmesi gerekir.
- **Bu alete asbest içeren malzemeleri işlemeyin** (asbest kanserojen bir madde kabul edilir)
- Kurşun içeren boya, bazi ahşap türleri, mineral ve metal gibi malzemelerden çıkan toz zararlı olabilir (tozla temasta bulunulması veya solunması operatörde veya yakında bulunan kişilerde alerjik reaksiyonlara ve/veya solunum yolu hastalıklarına neden olabilir); **toz maskesi takın ve toz ekstraksiyon cihazıyla çalışın (bağlanabiliyorsa)**
- Bazı toz tipleri (örneğin meşe ve kayın ağacı tozu), bilhassa ahşap yenileme katkı maddeleriyle birlikte, kanserojenik olarak sınıflandırılır; **toz maskesi takın ve toz ekstraksiyon cihazı ile çalışın (bağlanabiliyorsa)**
- Çalışmak istediğiniz malzemelerin, toz ile ilgili ulusal taleplerini takip edin
- Kullandığınız kesme masasının mutlaka, elektrik kesintilerinden sonra motorun yeniden ve kontrol dışı çalışmasını önleyecek bir salteri olmalıdır
- Kullandığınız kesme masasının mutlaka, bir yarma kaması olmalıdır

## AKSESUARLAR

- SKIL sadece orijinal aksesuarlar kullanıldığında aletin düzgün çalışmasını garanti eder
- Sadece bu kullanım kılavuzunda belirtilen tanıtım değerlerine uygun, EN 847-1'e göre test edilmiş ve buna uygun olarak işaretlenmiş testere bıçaklarını kullanın
- Bu aletle kullanacağınız aksesuar edilen devir sayısı en azından aletin boşta ki en yüksek devir sayısı kadar olmalıdır
- Sadece minimum 184 mm, maksimum 184 mm çapa ve 16 mm mil deliğine sahip testere bıçakları kullanın (5820)
- Sadece minimum 190 mm, maksimum 190 mm çapa ve 16 mm mil deliğine sahip testere bıçakları kullanın (5830)
- HSS testere bıçaklarını bu aletle kullanılmasına müsaade yoktur
- Bu alete taşılama/kesme diskleri kullanmayın

## KULLANMADAN ÖNCE

- Güç geriliminin, aletin özellik plakasında belirtilen voltaj değeriyle aynı olduğunu sık sık kontrol edin
- İş parçasının vida, çivi ve benzeri malzeme tarafından hasar görmemesi için dikkatli olun; çalışmaya başlamadan önce bunları çıkartın
- Kesme işlemine başlamadan önce, kesme hattı altındaki ve üstündeki bütün engelleri uzaklaştırın
- **Çalıştığınız parçayı sabitleyin** (kıskaçlarla ya da genellikle sabitlenmiş bir iş parçası elle tutulan işten daha güvenilirdir)
- **Görünmeyen elektrik kablolarını belirlemek için uygun bir tarama cihazı kullanın veya yerel akım ikmal şirketlerinden yardım isteyin** (elektrik kablolarıyla temas, yangın çıkmasına veya elektrik çarpmalarına neden olabilir; bir gaz borusu hasar görürse patlama tehlikesi ortaya çıkar; bir su borusunun delinmesi halinde maddi hasarlar meydana gelebilir veya elektrik çarpmaya tehlikesi ortaya çıkabilir)
- Tamamen kusursuz ve güvenli 16 Amp uzatma kabloları kullanın

## KULLANIM SIRASINDA

- Cihaz çalışırken gürültü seviyesi 85 dB(A) desibele kadar çıkabilir; kulak koruyucu kullanın
- Orijinal koruma tertibatı olmadan aleti asla kullanmayın
- Çok küçük iş parçalarını kesmeyi denemeyin
- Aleti başınızın üstünde tutarak çalışmayın
- Aletiniz bloke olursa, veya alet normal çalışmıyorsa veya değişik gürültüler geliyorsa, aleti hemen kapatın ve fişi prizden çekin
- Eğer cihazı kullanırken kordon hasar görür ya da kesilirse, kordona kesinlikle dokunmayın ve derhal fişi çekin

## KULLANIMDAN SONRA

- Aletinizi bırakıp gitmeden önce mutlaka kapatın ve döner parçaların tam olarak durmasını bekleyin
- Aleti kapatıktan sonra testere bıçağını yan taraftan bastırarak frenlemeyin

## ALET ÜZERİNDEKİ SİMGELERİN AÇIKLAMASI

- ③ Kullanmadan önce kılavuzu okuyun
- ④ Çift yalıtım (topraklama kablosu gerekli değildir)
- ⑤ Aleti evdeki çöp kutusuna atmayın

## KULLANIM

- Testere bıçağı takılması ②
- ! **şebeke fişini çekin**
- testere bıçağı anahtarını I levhasındaki V tutucusundan alın
- bıçak pimini D testere bıçağı anahtarı T ile çevirerek çıkartırken, eksen kilidi düğmesine C basın ve tutun
- ! **eksen kilidi düğmesine C yalnızca alet çalışmıyorken basın**
- eksen kilidi düğmesini C bırakın
- halkayı E çıkartın
- ! **halkaların testereye değen kısımlarının H tamamen temiz olmasına dikkat edin**
- kol G yardımı ile alt emniyet parçasını F açın, testere bıçağı monte üzerindeki oklar ile üst emniyet parçası üzerindeki aynı yönü göstermelidir
- alt emniyet parçasını F bırakın
- halkayı E takın
- bıçak pimini testere bıçağı anahtarı ile 1/8 oranında sıkıca takarken, eksen kilidi düğmesine C basın ve tutun (sert maddeler üzerinde kesim yaparken testere bıçağının yerinden oynamasını yada testerenin aniden

- sıçramasını ve motora yüklenmesini önler)
- eksen kilidi düğmesini C bırakın
- Kesme derinliğinin ayarlanması ⑥
- kesme kalitesinin optimal olarak sağlanabilmesi için testere bıçağının iş parçasının altından 3 mm'den fazla çıkmaması gerekir
- düğmeyi J gevşetin
- göstergeden L yararlanarak, ayağı K kaldırma/indirme açılış çizelgesinde istediğiniz kesme derinliği ayarlayın
- düğmeyi J tekrar sıkın
- Kesme açısının ayarlanması (0-50°) ⑦
- düğmeyi M gevşetin
- göstergeden N yararlanarak, aleti devirmek suretiyle açılış çizelgesinde istediğiniz kesme açısını ayarlayın
- düğmeyi M tekrar sıkın
- ! **gönyeli kesme sırasında derinlik çizelgesinde görünüm kesme derinliği gerçek kesme derinliği değildir**
- 90°-Kesme açısı kontrolü ⑦
- ayağı K maksimum kesme derinliğine ayarlayın ve sıkın ⑥
- kesme açısını 0°'ye ayarlayın ve sıkın
- bir gönye ile testere bıçağı ve ayak alt kenarı arasındaki 90°'yi kontrol edin
- ayar yapılması gerekiyorsa, düğmeyi M gevşetin ve ayar vidasını P resimde gösterildiği gibi kullanın
- Ayarlanabilir bıçak korumalı Q ⑧
- aletin, iş parçası üzerine çizilen kesme hattı üzerinde hassas biçimde yönlendirilmesini sağlar
- 0°'lik düz kesme işlerini veya ilgili gösterge hatlarını kullanarak 45°'lik gönyeli kesme işlerini sağlar
- ! **ayağın büyük bölümü, iş parçasının yaslanmış bölümü üzerinde olmalıdır**
- farklı testere bıçağı genişlikleri ile hizalamak için ayarlanabilir, ancak testere bıçağının bir kısmı hizalanmayabilir, bu durumda atık malzemenin bıçağının iç veya dış tarafına gelmesini seçin ⑧
- ! **kesme genişliği, testere bıçağı kalınlığı ile değil, testere bıçağı dişlerinin genişliği ile belirlenir**
- ! **gerçek kesme çizgisini kontrol etmek için daima bir deneme kesmesi yapın**
- Toz emme
- üzerine emme elektrik süpürgesinin hortumunu adaptörü Y ⑨ takın
- ! **elektrik süpürgesi hortumu hiçbir zaman alt bıçak koruma parçası deliğini kapatmamalı veya kesme işlemine engel olmamalıdır**
- Aletin çalıştırılması ⑩
- şebeke fişini prize takın
- daima bir elinizle R tutmağını, diğer elinizle de S tutmağını tutun
- aletin ayağının ön tarafını iş parçası üzerine pozisyonlayın
- ! **testere bıçağı dişlerinin iş parçasını saplı olmasına dikkat edin**
- önce başparmağınızla düğmeye B basıp (= sabitlenemeyen emniyet şalteri) şaltere A basmak suretiyle aleti çalıştırın
- ! **testere, testere bıçağı iş parçası içine girmeden önce maksimum hıza erişmelidir**
- testere bıçağı iş parçası içine sokulunca alt bıçak koruma parçası F kendiliğinden açılır (alt bıçak koruma parçasını sadece özel işler için, örneğin yerleştirici

kesmeler için elle açın; bunu yaparken de kolu G kullanın)

**! aleti gereğinden fazla zorlamayın (bıçak uçlarının aşırı ısınmasını ve plastik keserken plastiği eritmesini önlemek için hafif ve sürekli basınç uygulayın)**

**! çalışma esnasında, aleti daima gri renkli bölge(ler) den tutun**

- kesme işleminden sonra şalteri A boşa alarak aleti kapatın

**! aleti iş parçasından çıkarmadan önce testere bıçağının tam olarak durmasını bekleyin**

## UYGULAMA ÖNERİLERİ

- Parçalanma ve yarılmaları minimum düzeyde tutabilmek için iş parçasının iyi olan tarafını daima aşağı bakacak biçimde yerleştirin
- Daima doğru tip ve keskin testere bıçakları kullanın ⑩
  - kesme kalitesi dişlerin sayısı ile düz orantılı olarak artar
  - sert metali testere bıçaklarının kullanım ömrü, geleneksel testere bıçaklarına oranla 30 kat daha uzundur
- Yan dayamak Z ⑪
  - iş parçası kenarlarının hassas paralel kesimlerini sağlar
  - ayağın her iki yanına da takılabilirYan dayamağın ayarlanması
  - düğmeyi AA gevşetin
  - yan dayamak çizelgesi yardımı ile istediğiniz kesme genişliğini ayarlayın (bıçak korumalığı Q 0-referansı olarak kullanın)
  - düğmeyi AA tekrar sıkın
- Yerleştirme kesimi ⑫
  - istediğiniz kesme derinliğini ayarlayın
  - bıçak korumalığı Q iş parçası üzerine çizilmiş bulunan kesme hattına doğrultulmuş biçimde aleti öne devirin
  - kol G yardımı ile alt emniyet parçasını F açın
  - testere bıçağı iş parçasına dalmadan hemen önce aleti çalıştırın ve aletin arka kısmını, ön ayak kenarını dayama noktası olarak kullanarak, yavaşça indirin
  - aleti yavaşça aşağı indirin
  - testere bıçağı cismi kesmeye başladığı, kolu G gevşetin
- ! aleti prensip olarak geri sürmeyin**
- Büyük levhaların veya tablaların kesilmesi ⑬
  - kesilecek levhayı, kesme hattı yakın olacak biçimde yere, bir masaya veya bir tezgâha yatırın
- ! kesme derinliğini, levha tam kesilecek ve zemin kesilemeyecek ölçüde ayarlayın**
- eğer yan dayamak istenen kesme genişliğine olanak sağlamıyorsa, kılavuz işlevi görmeye üzere düz bir çitay iş parçası üzerine yapıştırıp veya çiviledikten sonra, aleti, sağ ayak tarafı bu çitayı izleyecek biçimde hareket ettirin

## BAKIM / SERVİS

- Bu alet profesyonel kullanıma yönelik değildir
- Aleti ve kabloğunu daima temiz tutun (özellikle havalandırma yuvalarını AB)
  - ! temizlemeden önce, cihazın fişini prizden çekin**
- Alt koruyucunun F ② çevresini her zaman temiz tutun (basınçlı hava veya fırça yardımıyla tozu ve talaşı giderin)
- Testere bıçağını işiniz biter bitmez temizleyin (özellikle üzerinde reçine ve tutkal kalıntıları varsa)

- Dikkatli biçimde yürütülen üretim ve test yöntemlerine rağmen alet arıza yapacak olursa, onarım SKIL elektrikli aletleri için yetkili bir serviste yapılmalıdır
  - aleti **ambalajıyla** birlikte satın alma belgenizi de ekleyerek satıcınıza veya en yakın SKIL servisine ulaştırın (adresler ve aletin servis şemaları www.skil.com adresinde listelenmiştir)
- Aşırı yüklenme ve yanlış kullanım aleti garanti kapsamından çıkaracağı unutmayın (SKIL garanti koşulları için www.skil.com adresine bakın veya satıcınıza başvurun)

## ÇEVRE

- **Elektrikli aletlerini, aksesuarları ve ambalajları evdeki çöp kutusuna atmayın** (sadece AB ülkeleri için)
  - kullanılmış elektrikli aletleri, elektrik ve elektronik eski cihazlar hakkındaki 2012/19/EC Avrupa yönergelerine göre ve bu yönergeler ulusal hukuk kurallarına göre uyarlanarak, ayrı olarak toplanmalı ve çevre şartlarına uygun bir şekilde tekrar değerlendirmeye gönderilmelidir
  - sembol ⑤ size bunu anımsatmalıdır

## GÜRÜLTÜ / TİTREŞİM

- EN 62841 uyarınca ölçülen bu aletin ses basıncı seviyesi 97,0 dB(A) ve ses gücü seviyesi 108,0 dB(A) (tolerans K = 3 dB), titreşimi ise \* (triaks vektör toplamı; tolerans K = 1,5 m/s<sup>2</sup>)
  - \* ahşapta kesme 4,0 m/s<sup>2</sup>
  - \* metalde kesme 2,8 m/s<sup>2</sup>
- Titreşim emisyon seviyesi EN 62841'de sunulan standart teste göre ölçülmüştür; bu seviye, bir aleti bir başkasıyla karşılaştırmak amacıyla ve aletin söz konusu uygulamalarda kullanılması sırasında titreşime maruz kalma derecesinin ön değerlendirmesi olarak kullanılabilir
  - aletin farklı uygulamalar için veya farklı ya da bakımı yetersiz yapılmış aksesuarlarla kullanılması, maruz kalma seviyesini belirgin biçimde **artırabilir**
  - aletin kapalı olduğu veya çalıştığı ancak gerçek anlamda iş yapmadığı zamanlarda, maruz kalma seviyesi belirgin biçimde **azalabilir**
- ! aletin ve aksesuarlarının bakımını yaparak, ellerinizi sıcak tutarak ve iş modellerinizi düzenleyerek kendinizi titreşimin etkilerinden koruyun**

PL

Pilarka tarczowa

5820/5830

## WSTĘP

- Narzędzie to przeznaczone jest do wzdłużnego i porzecznego cięcia drewna, zarówno pod kątem prostym, jak i ukośnie do 50°; przy zastosowaniu odpowiednich ostrzy istnieje możliwość cięcia metali nieśelaznych, lekkich materiałów budowlanych oraz tworzyw sztucznych
- Narzędzie nie jest przeznaczone do zastosowań profesjonalnych
- Przeczytać i zachować niniejszą instrukcję obsługi ③

## DANE TECHNICZNE ①

## ELEMENTY NARZĘDZIA ②

- A Włącznik
- B Wyłącznik bezpieczeństwa
- C Przycisk blokady wrzeczona
- D Śruba mocująca tarczę
- E Kryza
- F Dolna osłona
- G Dźwignia do podnoszenia dolnej osłony
- H Powierzchnia mocująca
- J Pokrętko do ustawiania głębokości cięcia
- K Podpórka
- L Wskaźnik głębokości cięcia
- M Pokrętko regulacji kąta cięcia
- N Wskaźnik kąta cięcia
- P Śruba do regulacji ustawienia ogranicznika 90°
- Q Wizjer linii cięcia
- R Tył uchwyt
- S Przód uchwyt
- T Klucz tarczy
- V Zaczep do klucza tarczy
- W Wylot wiórów
- Y Adapter odsysacza trocin
- Z Prowadnica równoległa
- AA Pokrętko regulacji prowadnicy równoległej
- AB Szczeliny wentylacyjne

## BEZPIECZEŃSTWO

### OGÓLNE OSTRZEŻENIA DOTYCZĄCE BEZPIECZEŃSTWA UŻYTKOWANIA ELEKTRONARZĘDZIA

**⚠ OSTRZEŻENIE** Należy przeczytać wszystkie ostrzeżenia dotyczące bezpieczeństwa, instrukcje, ilustracje i dane techniczne dostarczone z tym elektronarzędziem. Nieprzestrzeganie wszystkich poniższych instrukcji może skutkować porażeniem prądem, pożarem i/lub poważnym obrażeniem ciała.

**Wszystkie ostrzeżenia i wskazówki należy zachować do dalszego zastosowania.**

Użyte w poniższym tekście pojęcie "elektronarzędzie" odnosi się do elektronarzędzi zasilanych energią elektryczną z sieci (z przewodem zasilającym) i do elektronarzędzi zasilanych akumulatorami (bez przewodu zasilającego).

#### 1) BEZPIECZEŃSTWO MIEJSCA PRACY

- a) **Miejsce pracy należy utrzymywać w czystości i dobrze oświetlone.** Nieporządek lub nie oświetlone miejsce pracy mogą doprowadzić do wypadków.
- b) **Nie należy pracować tym narzędziem w otoczeniu zagrożonym wybuchem, w którym znajdują się np. łatwopalne ciecze, gazy lub pyły.** Elektronarzędzia wytwarzają iskry, które mogą podpalić ten pył lub pary.
- c) **Elektronarzędzie trzymać podczas pracy z daleka od dzieci i innych osób.** Przy nieuwadze można stracić kontrolę nad narzędziem.

#### 2) BEZPIECZEŃSTWO ELEKTRYCZNE

- a) **Wtyczka urządzenia musi pasować do gniazda. Nie wolno modyfikować wtyczki w jakikolwiek sposób. Nie należy używać wtyczek adapterowych razem z**

**uziemiionymi narzędziami.** Niezmienione wtyczki i pasujące gniazda zmniejszają ryzyko porażenia prądem.

- b) **Należy unikać kontaktu z uziemiionymi powierzchniami jak rury, grzejniki, piece i lodówki.** Istnieje zwiększone ryzyko porażenia prądem, gdy Państwa ciało jest uziemiione.
- c) **Urządzenie należy przechowywać zabezpieczone przed deszczem i wilgocią.** Wniknięcie wody do elektronarzędzia podwyższa ryzyko porażenia prądem.
- d) **Nigdy nie należy używać kabla do innych czynności. Nigdy nie używać kabla do noszenia urządzenia za kabel, zawieszenia lub do wyciągania wtyczki z gniazda. Kabel należy trzymać z daleka od wysokich temperatur, oleju, ostrych krawędzi lub ruchomych części urządzenia.** Uszkodzone lub poplątane kable zwiększają ryzyko porażenia prądem.
- e) **W przypadku, kiedy elektronarzędziem pracuje się na świeżym powietrzu należy używać kabla przedłużającego, który dopuszczony jest do używania na zewnątrz.** Użycie dopuszczonego do używania na zewnątrz kabla przedłużającego zmniejsza ryzyko porażenia prądem.
- f) **Jeżeli nie da się uniknąć zastosowania elektronarzędzia w wilgotnym otoczeniu, należy użyć wyłącznika ochronnego różnicowo-prądowego.** Zastosowanie wyłącznika ochronnego różnicowo-prądowego zmniejsza ryzyko porażenia prądem.

#### 3) BEZPIECZEŃSTWO OSÓB

- a) **Należy być uważnym, uważać na to co się robi i pracę elektronarzędziem rozpoczynać z rozsądkiem. Nie należy używać urządzenia gdy jest się zmęczonym lub pod wpływem narkotyków, alkoholu lub lekarstw.** Moment nieuwagi przy użyciu urządzenia może doprowadzić do poważnych urażeń ciała.
- b) **Należy nosić osobiste wyposażenie ochronne i zawsze okulary ochronne.** Noszenie osobistego wyposażenia ochronnego jak maska przeciwpyłowa, nie ślizgające się buty robocze, hełm ochronny lub ochrona słuchu, w zależności od rodzaju i zastosowania elektronarzędzia zmniejsza ryzyko obrażeń ciała.
- c) **Należy unikać niezamierzonego uruchomienia narzędzia. Przed włożeniem wtyczki do gniazda i/ lub podłączeniem do akumulatora, a także przed podniesieniem lub przeniesieniem elektronarzędzia, należy upewnić się, że elektronarzędzie jest wyłączone.** Trzymanie palca na wyłączniku podczas przenoszenia elektronarzędzia lub podłączenie do prądu włączonego narzędzia, może stać się przyczyną wypadków.
- d) **Zanim urządzenie zostanie włączone należy usunąć narzędzia nastawcze lub klucze.** Narzędzie lub klucz, które znajdują się w ruchomych częściach urządzenia mogą doprowadzić do obrażeń ciała.
- e) **Nie należy przeceniać swoich możliwości. Należy dbać o bezpieczną pozycję pracy i zawsze utrzymywać równowagę.** Przez to możliwa jest lepsza kontrola urządzenia w nieprzewidywanych sytuacjach.
- f) **Należy nosić odpowiednie ubranie. Nie należy nosić luźnego ubrania lub biżuterii. Włosy i ubranie należy trzymać z daleka od ruchomych elementów.** Luźne ubranie, biżuteria lub długie włosy mogą zostać pociągnięte przez poruszające się części.



- g) W przypadku, kiedy możliwe jest zamontowanie urządzeń odsysających lub podchwytyjących należy upewnić się, czy są one właściwie podłączone i prawidłowo użyte. Użycie urządzenia odsysającego pył może zmniejszyć zagrożenie pyłami.
- h) Nie wolno pozwolić, aby rutyna nabyta w wyniku wielokrotnego użycia elektronarzędzia, zastąpiła ściśle przestrzeganie zasad bezpieczeństwa. Niedbale obsługiwane elektronarzędzie może w ułamku sekundy wyrządzić istotne szkody lub spowodować ciężkie obrażenia.

#### 4) UWAGNE OBCOWANIE ORAZ UŻYCIE ELEKTRONARZĘDZIA

- a) Nie należy przeciążać urządzenia. Do pracy używać należy elektronarzędzia, które jest do tego przewidziane. Odpowiednim narzędziem pracuje się lepiej i bezpieczniej w podanym zakresie sprawności.
- b) Nie należy używać elektronarzędzia, którego włącznik/wyłącznik jest uszkodzony. Elektronarzędzie, którego nie można włączyć lub wyłączyć jest niebezpieczne i musi zostać naprawione.
- c) Przed rozpoczęciem jakichkolwiek prac nastawczych, przed wymianą osprzętu lub przed odłożeniem elektronarzędzia należy wyjąć wtyczkę z gniazda sieciowego i/lub usunąć akumulator. Ten środek ostrożności zapobiega niezamierzonemu włączeniu się urządzenia.
- d) Nie używane elektronarzędzia należy przechowywać poza zasięgiem dzieci. Nie należy udostępniać narzędzia osobom, które jego nie umieją lub nie przeczytały tych przepisów. Używane przez niedoświadczonych osoby elektronarzędzia są niebezpieczne.
- e) Elektronarzędzia i osprzęt należy utrzymywać w nienagannym stanie technicznym. Należy kontrolować, czy ruchome części urządzenia funkcjonują bez zarzutu i nie są zablokowane, czy części nie są pęknięte lub uszkodzone, co mogłoby mieć wpływ na prawidłowe funkcjonowanie urządzenia. Uszkodzone narzędzie należy przed użyciem urządzenia oddać do naprawy. Wiele wypadków spowodowanych jest przez niewłaściwą konserwację elektronarzędzi.
- f) Osprzęt tnący należy utrzymywać ostry i czysty. Starannie pielęgnowany osprzęt tnący z ostrymi krawędziami tnącymi blokuje się rzadziej i łatwiej się używa.
- g) Elektronarzędzia, osprzęt, narzędzia itd. należy używać odpowiednio do tych przepisów. Uwzględnić należy przy tym warunki pracy i czynność do wykonania. Użycie elektronarzędzi do innych niż przewidziane prace może doprowadzić do niebezpiecznych sytuacji.
- h) Uchwyt i powierzchnie chwytowe powinny być zawsze suche, czyste, niezabrudzone olejem ani smarem. Śliskie uchwyty i powierzchnie chwytowe nie pozwalają na bezpieczne trzymanie narzędzia i kontrolę nad nim w nieoczekiwanych sytuacjach.
- #### 5) SERWIS
- a) Naprawę urządzenia należy zlecić jedynie kwalifikowanemu fachowcowi i przy użyciu oryginalnych części zamiennych. To gwarantuje, że bezpieczeństwo użytkownika zostanie zachowane.

## INSTRUKCJE BEZPIECZEŃSTWA DO PILARKI TARCZOWEJ

### 1) PROCES CIĘCIA

- a) **NIEBEZPIECZEŃSTWO** : Ręce należy trzymać z dala od obszaru pracy pilarki i zachować bezpieczną odległość od poruszającej się tarczy. Drugą ręką należy trzymać uchwyt dodatkowy lub obudowę silnika. Trzymając pilarkę oburącz można uniknąć skaleczenia rąk przez tarczę tnącą.
- b) Nie sięgaj ręką pod spód przecinanego materiału. Osłona nie chroni przed ostrzem poniżej przecinanej części.
- c) Dostosuj głębokość cięcia do grubości obrabianego materiału. Mniej niż pełna wysokość pojedynczego zęba tarczy powinna być widoczna pod przecinanym materiałem.
- d) W żadnym wypadku nie wolno przytrzymywać przecinanego przedmiotu ręką, ani trzymać go na kolanach. Obrabiany przedmiot należy stabilnie umieścić na stałym podłożu. Właściwe zamocowanie obrabianego przedmiotu jest bardzo istotne, gdyż dzięki temu można zminimalizować niebezpieczeństwo, w przypadku kontaktu z ciałem użytkownika, zablokowania się brzeszczotu lub utraty kontroli nad sytuacją.
- e) Elektronarzędzia należy dotykać jedynie przy izolowanych powierzchniach uchwytu, ponieważ noże tnące mogą zetknąć się z ukrytym okablowaniem lub przewodem narzędzia (przecięcie przewodów pod napięciem przez noże tnące może spowodować porażenie operatora prądem)
- f) Przy cięciu wzdłużnym korzystaj z specjalnej prowadnicy piły tarczowej lub z prostej prowadnicy do krawędzi. Poprawia to dokładność cięcia i redukuje możliwość zakleszczania się ostrza.
- g) Należy zawsze stosować tarcze tnące o właściwych rozmiarach zewnętrznych i o odpowiednim otworze mocowania tarczy (np. w kształcie gwiazdy lub okrągłym). Tarcze tnące, nie pasujące do części mocujących pilarki, powodują nierównomierny bieg urządzenia i prowadzą do utraty panowania nad elektronarzędziem.
- h) Nie używaj nigdy uszkodzonych lub nieprawidłowych podkładek ani wkładów. Firmowe podkładki i wkłady zostały zaprojektowane specjalnie dla określonej piły, w celu zapewnienia jej optymalnego i bezpiecznego działania.
- ### 2) ODRZUT - PRZYCZYNY I ODPOWIEDNIE WSKAZÓWKI
- Odrzut jest nagłą reakcją tarczy pilarki zakleszczoną, zaciętą lub nieprawidłowo ustawioną, powodującą niekontrolowane uniesienie się pilarki ponad przecinaną część, w kierunku operatora
  - Ostrze, które zatnie się lub zakleszczy w przecinanej szczelinie, zatrzyma się, a przebiegający silnik spowoduje nagły ruch narzędzia w kierunku operatora
  - W przypadku skrzywienia lub wadliwego ustawienia tarczy w przecinanej szczelinie, zęby jej tylnej krawędzi mogą wrzynać się w górną powierzchnię drewna powodując wyrzucanie się ostrza ze szczeliny i jego odrzut w stronę operatora
  - Odrzut jest następstwem niewłaściwego lub błędnego użycia elektronarzędzia. Można go uniknąć przez

zachowanie odpowiednich środków ostrożności, takich jak niżej opisane.

- a) **Trzymaj narzędzie mocno dwoma rękami i ustaw się w pozycji umożliwiającej odparcie siły odrzutu. Ustaw się podczas cięcia na prawo lub na lewo od linii cięcia ale nigdy nie w linii prostej cięcia.** Odrzut może spowodować odbicie do tyłu, które może być kontrolowane przez operatora jeżeli zachowane są odpowiednie środki ostrożności.
- b) **W przypadku zakleszczenia lub przerwania zabiegu cięcia, z jakiegokolwiek przyczyny, zwolnij spust i przytrzymaj piłę nieruchomo, aż do chwili całkowitego zatrzymania się ostrza. Nie próbuj nigdy wycofywać piły z przecinanego materiału przy poruszającym się ostrzu. Takie postępowanie może spowodować odrzut.** Zbadaj i usuń przyczynę zakleszczenia się ostrza. Unikaj przecinania śrub lub gwosdźi.
- c) **Przy ponownym uruchamianiu piły z ostrzem wewnątrz przecinanego materiału, ustaw ostrze centralnie w szczylinie i sprawdź, czy zęby nie wnikają w materiał.** Zakleszczono ostrze może wyskoczyć lub zostać wyrzucone ze szczyliny z chwilą ponownego uruchomienia piły.
- d) **Podpieraj duże płyty, żeby ograniczyć ryzyko zakleszczania ostrza i odrzutu.** Duże płyty mają tendencję do zwisania pod własnym ciężarem. Podpory należy umieszczać pod płytą, na obu jej końcach, w pobliżu linii cięcia i blisko krawędzi płyty.
- e) **Nie używaj tępych ani uszkodzonych ostrzy.** Nienaostrome lub nieprawidłowo ustawione ostrza wytwarzają wąską szczylinę, powodując nadmierne tarcie, zakleszczanie się ostrza i odrzut.
- f) **Przed przystąpieniem do cięcia upewnij się, że dźwignia do regulacji głębokości i skosu wnikania są mocno dociśnięte.** Zmiana ustawienia ostrza w trakcie cięcia może spowodować zakleszczenie i odrzut.
- g) **Należy zachować szczególną ostrożność podczas wykonywania cięć w ścianach lub operowaniu w innych niewidocznych obszarach.** Zagłębiająca się w materiale tarcza pilarska może spowodować odrzut pilarki po natrafieniu na ukryte obiekty.
- 1) **FUNKCJE DOLNEJ OSŁONY**
  - a) **Każdorazowo przed użyciem sprawdź prawidłowe zamykanie się dolnej osłony. Nie używaj piły, jeśli dolna osłona nie porusza się swobodnie i nie zamyka się natychmiastowo. Nie unieruchamiaj nigdy dolnej osłony w otwartym położeniu.** W razie przypadkowego upuszczenia piły jej dolna osłona może ulec wygięciu. Wyjąć wtyk z gniazda sieciowego, podnieść osłonę przy pomocy jej uchwytu i sprawdź, czy porusza się swobodnie i czy nie dotyka ostrza ani żadnej innej części, przy wszystkich kątach i głębokościach cięcia.
  - b) **Sprawdź działanie sprężyny dolnej osłony. W przypadku gdy osłona lub sprężyna nie działają prawidłowo należy przed użyciem dokonać ich przeglądu technicznego.** Dolna osłona może działać powoli z powodu uszkodzonej części, lepkich osadów lub nabudowania się odpadów.
  - c) **Dolną osłonę można otwierać ręcznie tylko w przypadku wykonywania specjalnych lub skomplikowanych zabiegów cięcia, takich jak cięcie wgłębne lub złożone. Osłonę należy unieść**

**korzystając z jej uchwytu i opuścić ją natychmiast z chwilą gdy ostrze wejdzie w materiał.** Przy wszystkich innych zabiegach przecinania dolna osłona powinna działać automatycznie.

- d) **Przed umieszczeniem piły na podłodze lub na stole, zawsze zwróć uwagę, czy dolna osłona zakrywa ostrze.** Niezabezpieczono lub poruszające się rozpędem ostrze spowoduje przemieszczanie się piły do tyłu, tnąc wszystko na jej drodze. Pamiętaj, że po zwolnieniu wyłącznika upłynie pewien czas zanim piła zatrzyma się całkowicie.

## DODATKOWE WSKAZÓWKI BEZPIECZEŃSTWA

- Włączenia urządzenia powodują krótkotrwałe obniżenia napięcia w sieci; przy niekorzystnych warunkach sieciowych mogą wystąpić zakłócenia pracy innych urządzeń (przy impedancjach sieciowych mniejszych niż 0,468 Ohm zakłócenia nie występują); w razie potrzeby dodatkowych wyjaśnień, prosimy o kontakt z lokalnym dostawcą energii elektrycznej

## OGÓLNE

- Narzędzie nie powinny używać dzieci poniżej 16 roku życia
- Urządzenie przeznaczone jest tylko do cięcia na sucho
- **Przed przystąpieniem do wykonywania jakiegokolwiek czynności przy narzędziu, w czasie przerw w pracy jak również po jej zakończeniu wyjąć wtyczkę z gniazda sieciowego**
- Nigdy nie używać narzędzia, gdy przewód jest uszkodzony; musi on zostać wymieniony na przewód specjalny dostępny w sieci serwisowej.
- **Nie należy obrabiać materiału zawierającego azbest (azbest jest rakotwórczy)**
- Pył pochodzący z takich materiałów, jak farby zawierające ołów, niektóre gatunki drzewa, minerały i metal może być szkodliwy (kontakt z nim lub wdychanie takiego pyłu może powodować reakcje alergiczne i/lub niewydolność oddechową u operatora lub osób towarzyszących); **należy zakładać maskę przeciwpyłową i pracować z urządzeniem odsysającym, jeżeli można je podłączyć**
- Niektóre rodzaje pyłu są zaklasyfikowane jako rakotwórcze (takie, jak pył dębu i buka) szczególnie w połączeniu z dodatkami do kondycjonowania drewna; **należy zakładać maskę przeciwpyłową i pracować z urządzeniem odsysającym pył, jeżeli można je podłączyć**
- Należy stosować się do lokalnych wymogów dotyczących pracy w otoczeniu pyłu powstającego podczas obróbki materiału
- Stosować tylko stoły robocze posiadające zintegrowany wyłącznik bezpieczeństwa, zabezpieczający przed samoczynnym ponownym uruchomieniem silnika po zaniku zasilania
- Stosować tylko stoły robocze posiadające zintegrowany klin rozszczepiający

## AKCESORIA

- SKIL może zagwarantować bezawaryjne działanie narzędzia tylko przy korzystaniu z oryginalnego wyposażenia dodatkowego
- Stosować należy wyłącznie tarcze tnące, których parametry są zgodne z podanymi w niniejszej instrukcji obsługi ulotce i zostały przetestowane zgodnie z wymaganiami normy EN 847-1 i odpowiednio

oznakowane

- Używać tylko akcesoriów, których dopuszczalna prędkość obrotowa jest co najmniej tak wysoka jak najwyższa prędkość obrotowa urządzenia na biegu bez obciążenia
- Używać wyłącznie brzeszczotów pił o minimalnej średnicy 184 mm, maksymalnej średnicy 184 mm i otworze na wrzeciono o średnicy 16 mm (**5820**)
- Używać wyłącznie brzeszczotów pił o minimalnej średnicy 190 mm, maksymalnej średnicy 190 mm i otworze na wrzeciono o średnicy 16 mm (**5830**)
- Nie należy stosować pił z wysokostopowej stali szybkotnącej (HSS)
- Nigdy nie należy stosować tarczy szlifierskich/tnących z tym elektronarzędziem

#### PRZED UŻYCIEM

- Każdorazowo należy sprawdzać, czy napięcie zasilania jest zgodne z napięciem podanym na tabliczce znamionowej urządzenia
- Uwaga na gwoździe, śruby i inne twarde przedmioty; przed przystąpieniem do obróbki powinny być usunięte z obrabianego przedmiotu; usunąć je przed rozpoczęciem pracy
- Przed przystąpieniem do obróbki należy usunąć wszelkie przeszkody znajdujące się po obu stronach obrabianego przedmiotu wzdłuż linii cięcia
- **Należy zabezpieczyć miejsce przeznaczone do zszycia** (miejsce przeznaczone do zszycia umieszczone w zaciskach lub imadle jest utrzymywane w miejscu bezpieczniej niż w rękę)
- **Aby wykryć ukryte przewody zasilające należy używać stosownych detektorów lub porozumieć się z miejscowymi zakładami energetycznymi** (kontakt z przewodami elektrycznymi może doprowadzić do pożaru i porażenia elektrycznego; uszkodzenie przewodu gazowego może doprowadzić do wybuchu; uszkodzenie przewodów instalacji wodociągowej powoduje szkody rzeczowe i może spowodować porażenie elektryczne)
- W przypadku korzystania z kabla przedłużającego należy zwrócić uwagę, aby był maksymalnie nawinięty na bęben oraz był przystosowany do przewodzenia prądu o natężeniu przynajmniej 16 A

#### PODZAS UŻYWANIA

- Poziom hałasu podczas pracy może przekraczać 85 dB(A); używać nauszniki do ochrony słuchu
- Elektronarzędzie można stosować wyłącznie wraz z zamontowanymi wszystkimi urządzeniami służącymi bezpieczeństwu użytkownika
- Nie przecinać przedmiotów zbyt małych
- Nie pracować elektronarzędziem ponad głowę
- W przypadku zablokowania się piły w obrabianym materiale, stwierdzenia nietypowego zachowania się elektronarzędzia lub obcych dźwięków natychmiast wyłączyć zasilanie i wyjąć wtyczkę z gniazda sieciowego
- W przypadku uszkodzenia lub przecięcia przewodu podczas pracy, nie wolno go dotykać, tylko należy natychmiast wyciągnąć z gniazdka wtyczkę

#### PO UŻYCIU

- Przed pozostawieniem elektronarzędzia należy odłączyć zasilanie elektryczne i odczekać do całkowitego zatrzymania się wrzeciona
- Nie należy zatrzymywać ruchu piły po wyłączeniu pilarki odzyskując na piłę

#### OBJAŚNIENIE SYMBOLI NA NARZĘDZIU

- ③ Przed użyciem przeczytaj instrukcję obsługi

④ Podwójna izolacja (brak uziemienia)

⑤ Nie wyrzucaj narzędzie wraz z odpadami z gospodarstwa domowego

## UŻYTKOWANIE

- Instalacja piły tarczowej ②
  - ! **wyjąć wtyk z gniazda sieciowego**
  - wyjąć klucz tarczy T z gniazda V
  - naciśnięcie przycisk C blokady wrzeciona obrotowego i przytrzymanie go podczas odkręcania śruby mocującej tarczę D, obracając tarczy kluczem T trzpieniowym
  - ! **przycisk C blokady wrzeciona naciskać tylko wtedy, gdy tarcza piły jest nieruchoma**
  - zwolnić przycisk C blokady wrzeciona
  - zdjąć kryzę E
  - ! **upewnić się, że powierzchnie mocujące H kryzy są absolutnie czyste i przylegają do piły**
  - przy pomocy dźwigni G odchylić osłonę dolną F i przytrzymać dźwignię podczas montażu tarczy piły, ustawiając zęby i nadrukowaną strzałkę w takim samym kierunku, jak strzałka na górnej osłonie
  - uwolnić osłonę dolną F
  - założyć kryzę E
  - nacisnąć przycisk C blokady wrzeciona i przytrzymać go podczas dokręcania śruby mocowania tarczy kluczem trzpieniowym o 1/8 obrotu ponad siłę dokręcenia palcami (zapewnia to poślizg tarczy po napotkaniu zbyt dużego oporu cięcia, a tym samym pozwala uniknąć przeciążenia silnika i wstecznego odrzutu narzędzia)
  - zwolnić przycisk C blokady wrzeciona
- Ustawianie głębokości cięcia ⑥
  - w celu zapewnienia optymalnej jakości cięcia piła nie powinna wystawać poniżej dolnej powierzchni przedmiotu o więcej niż 3 mm
  - odkręcić pokrętło J
  - unieść/obniżyć płytę podstawy K w żądane położenie korzystając ze wskaźnika L
  - pokrętło J ponownie dokręcić
- Ustawienie kąta cięcia (0-50°) ⑦
  - odkręcić pokrętło M
  - elektronarzędzie przechylić w żądane położenie korzystając ze wskaźnika N
  - pokrętło M ponownie dokręcić
- ! **w przypadku nieprostego ustawienia piły głębokość cięcia wskazywana na podziatce nie odpowiada rzeczywistej głębokości**
- Sprawdzenie prostopadości cięcia - 90° ⑧
  - ustawić płytę podstawy K na maksymalną głębokość cięcia i zablokować ją w tym położeniu ⑥
  - ustawić kąt cięcia 0° i zablokować elektronarzędzie w tym położeniu
  - przy pomocy przyrządu kątownego sprawdzić prostopadość pomiędzy powierzchnią piły a dolną powierzchnią płyty podstawy
  - jeśli wymagana jest regulacja, poluzować pokrętło M i należy użyć śruby regulacyjnej P jak pokazano
- Regulowany wizjer linii cięcia Q ⑨
  - pokazuje pozycję piły tarczowej przy cięciu wzdłuż uprzednio naniesionej linii
  - przy cięciu prostopadłym lub pod kątem 45° wykorzystywać odpowiednie linie wskazujące

### ! szersza strona płyty podstawy powinna przylegać do wspartej części obrabianego przedmiotu

- można ją wyregulować w celu wyrównania do różnych szerokości brzeszczotów, jednak może zdarzyć się tak, że jedna strona brzeszczotu nie zostanie wyrównana, wówczas należy zdecydować, czy odpady będą po wewnętrznej, czy po zewnętrznej stronie ostrza ⑧

### ! szerokość linii cięcia wyznacza nie grubość płyty tarczowej, lecz grubość jej zębów

### ! w celu sprawdzenia poprawności ustawienia wykonać próbne cięcie

- Odsysanie pyłu

- wąż odkurzacza przyłączyć do króćca Y ⑨

### ! należy zwrócić uwagę, aby wąż odkurzacza nigdy nie blokował swobody ruchu osłony oraz nie utrudniał prowadzenia pilarki

- Obsługa narzędzia ⑨

- włożyć wtyk elektronarzędzia do gniazda sieciowego  
- elektronarzędzie prowadzić oburącz trzymając pewnie jedną ręką za uchwyt R drugą za uchwyt S

- ustawić pewnie elektronarzędzie dolną powierzchnią płyty podstawy na obrabianym przedmiocie

### ! należy się upewnić czy zęby płyty nie stykają się już z obrabianym przedmiotem

- elektronarzędzie uruchomić wciskając przycisk B (= włącznik bezpieczeństwa, nie powinien być blokowany) a następnie uruchomić włącznik A

### ! piłę przystawiać do obrabianego przedmiotu dopiero po osiągnięciu przez elektronarzędzie pełnej prędkości obrotowej

- osłona płyty F otwierana jest automatycznie w momencie zbliżenia płyty do obrabianego przedmiotu (osłonę odchylić ręcznie tylko w przypadku wykonywania cięć specjalnych jak cięcia wgłębne; w tym celu wykorzystywać dźwignię G)

### ! nie wolno przeciążać narzędzia (należy stosować lekki miarowy docisk, co pozwoli uniknąć przegrzania końcówek brzeszczotu, a w przypadku cięcia plastiku - stopienia go)

### ! podczas pracy zawsze trzymać narzędzie za uchwyt(y) ograniczone szarym kolorem

- po zakończeniu cięcia elektronarzędzie wyłączyć zwalniając włącznik A

### ! przed podniesieniem narzędzia z obrabianego materiału należy się upewnić, że ostrze zatrzymało się w pełni

## WSKAZÓWKI UŻYTKOWANIA

- W celu ograniczenia zjawiska wykruszania krawędzi powierzchnia przedmiotu o wymaganym ładnym wyglądzie powinna być skierowana do dołu
- Stosować tylko ostre płyty tarczowe nie wykazujące uszkodzeń o odpowiednich wymiarach ⑩
  - jakość cięcia poprawia się wraz ze wzrostem ilości zębów wykorzystywanej płyty tarczowej
  - płyty tarczowe z zębami z węglików spiekanych posiadają o ok. 30-to krotnie większą żywotność w stosunku do pił konwencjonalnych
- Prowadnica równoległa Z ⑪
  - umożliwiła wykonywanie dokładnych cięć równoległych do krawędzi przedmiotu
  - może być mocowana z obu stron płyty podstawy

Ustawianie położenia prowadnicy równoległej

- odkręcić pokrętko AA

- korzystając z podziałki na prowadnicy ustawić wymaganą odległość cięcia (wizjer linii cięcia Q stosować jako zerowego punktu odniesienia)

- pokrętko AA ponownie dokręcić

- Cięcia wgłębne ⑫

- ustawić wymaganą głębokość cięcia

- przechylić narzędzie do przodu, kierując wizjer linii cięcia Q na naniesioną na obrabianym przedmiocie linię

- przy pomocy dźwigni G odchylić osłonę płyty F

- bezpośrednio przed zagłębieniem płyty uruchomić elektronarzędzie, przechylając pilarkę wzdłuż przedniej krawędzi podstawy opuścić wolno tylną część elektronarzędzia

- opuszczać powoli tylną część elektronarzędzia wolno przesuwając do przodu

- natychmiast z chwilą gdy ostrze wejdzie w materiał, zwolnić dźwignię G

### ! elektronarzędzie prowadzić tylko do przodu

- Cięcia większych płyt ⑬

- płytę podeprzeć wzdłuż linii cięcia, na podłodze stole lub warsztacie

### ! ustawić głębokość cięcia w taki sposób, aby przecinać tylko płytę a nie przedmioty wspierające znajdujące się poniżej

- w przypadku gdy prowadnica równoległa nie daje możliwości cięcia w dużej odległości, przytwierdzić dodatkową listwę do powierzchni płyty i prowadzić elektronarzędzie prawą stroną wzdłuż listwy

## KONSERWACJA / SERWIS

- Narzędzie nie jest przeznaczone do zastosowań profesjonalnych
- Zawsze dbać o czystość narzędzia i przewodu zasilającego (a szczególnie otworów wentylacyjnych AB)  
! przed przystąpieniem do czyszczenia należy wyjąć wtyk z gniazda sieciowego
- Obszar wokół dolnej osłony F ② musi być zawsze czysty (należy usunąć kurz i opiłki przy użyciu sprężonego powietrza lub pędzla)
- Piłę tarczową czyścić każdorazowo po zakończonej pracy (szczególnie z żywicy i pozostałości klejów)
- Jeśli narzędzie, mimo dokładnej i wszechstronnej kontroli produkcyjnej ulegnie kiedykolwiek awarii, naprawę powinien przeprowadzić autoryzowany serwis elektronarzędzi firmy SKIL
  - odesłać **nierozebrany** narzędzie, wraz z dowodem zakupu, do dealera lub do najbliższego punktu usługowego SKIL (adresy oraz diagram serwisowy narzędzenia znajdują się na stronach [www.skil.com](http://www.skil.com))
- Prosimy pamiętać, że uszkodzenia spowodowane przecięciem lub niewłaściwym użytkowaniem narzędzia nie podlegają gwarancji (warunki gwarancji SKIL znajdują się na [www.skil.com](http://www.skil.com) lub pytać swojego dealera)

## ŚRODOWISKO

- **Nie wyrzucaj elektronarzędzi, akcesoriów i opakowania wraz z odpadami z gospodarstwa domowego** (dotyczy tylko państw UE)
  - zgodnie z Europejską Dyrektywą 2012/19/WE w sprawie zużytego sprzętu elektrotechnicznego

i электронического oraz dostosowaniem jej do prawa krajowego, zużyte elektronarzędzia należy posegregować i zutylizować w sposób przyjazny dla środowiska

- в przypadku potrzeby позбытия się narzędzia, аксесориów i opakowania - symbol ⓘ przypomни Ci o tym

## HAŁASU / WIBRACJE

- Poziom ciśnienia akustycznego mierzonego zgodnie z normą EN 62841 wynosi 97,0 dB(A), a poziom mocy akustycznej wynosi 108,0 dB(A) (odchylenie K = 3 dB), wibracja \* (trójosiowa suma wektorowa; odchylenie K = 1,5 m/s<sup>2</sup>)
    - \* cięcie drewna 4,0 m/s<sup>2</sup>
    - \* cięcie metalu 2,8 m/s<sup>2</sup>
  - Poziom emisji wibracji został zmierzony zgodnie z testem standaryzowanym podanym w EN 62841; może służyć do porównania jednego narzędzia z innym i jako ocena wstępna narażenia na wibracje w trakcie używania narzędzia do wymienionych zadań
    - używanie narzędzia do innych zadań, lub z innymi albo źle utrzymanymi аксесориами, może znacząco **zwiększyć** poziom narażenia
    - przypadki, kiedy narzędzie jest wyłączone lub jest czynne, ale aktualnie nie wykonuje zadania, mogą znacząco **zmniejszyć** poziom narażenia
- ! należy chronić się przed skutkami wibracji przez konserwację narzędzia i jego аксесориów, zakładanie rękawic i właściwą organizację pracy**

RU

## Циркулярная пила 5820/5830

В состав эксплуатационных документов, предусмотренных изготовителем для продукции, могут входить настоящее руководство по эксплуатации, а также приложения.

Информация о подтверждении соответствия содержится в приложении.

### Срок службы изделия

Срок службы изделия составляет 7 лет. Не рекомендуется к эксплуатации по истечении 5 лет хранения с даты изготовления без предварительной проверки (дату изготовления см. на этикетке).

### Перечень критических отказов и ошибочные действия персонала или пользователя

- не использовать с поврежденной рукояткой или поврежденным защитным кожухом
- не использовать при появлении дыма непосредственно из корпуса изделия
- не использовать с перебитым или оголенным электрическим кабелем
- не использовать на открытом пространстве во время дождя (в распыляемой воде)
- не включать при попадании воды в корпус
- не использовать при сильном искрении
- не использовать при появлении сильной вибрации

### Критерии предельных состояний

- перетёрт или повреждён электрический кабель
- поврежден корпус изделия

### Тип и периодичность технического обслуживания

Рекомендуется очистить инструмент от пыли после каждого использования.

### Хранение

- необходимо хранить в сухом месте
- необходимо хранить вдали от источников повышенных температур и воздействия солнечных лучей
- при хранении необходимо избегать резкого перепада температур
- хранение без упаковки не допускается
- подробные требования к условиям хранения смотрите в ГОСТ 15150 (Условие 1)

### Транспортировка

- категорически не допускается падение и любые механические воздействия на упаковку при транспортировке
- при разгрузке/погрузке не допускается использование любого вида техники, работающей по принципу зажима упаковки
- подробные требования к условиям транспортировки смотрите в ГОСТ 15150 (Условие 5)

### ВНИМАНИЕ!

**В случае возникновения перебоа в работе элентроинструмента вследствие полного или частичного прекращения энергоснабжения или повреждения цепи управления энергоснабжением установите выключатель в положение Выкл., убедившись, что он не заблокирован (при его наличии) и отключите сетевую вилку от розетки или отсоедините съёмный аккумулятор (этим предотвращается неконтролируемый повторный запуск)**

## ВВЕДЕНИЕ

- Инструмент предназначен для пилки дров вдоль и поперек, а также под углом 50°; а при использовании специальных пил также для пилки металлов (кроме железа), легких строительных материалов и пластика
- Данный инструмент не подходит для промышленного использования
- Прочитайте и сохраните с данной инструкцией ⓘ

## ТЕХНИЧЕСКИЕ ДАННЫЕ ⓘ

## СТРАНА ИЗГОТОВЛЕНИЯ

Сделано в Китае

## ДЕТАЛИ ИНСТРУМЕНТА ⓘ

- A** Курковый переключатель
- B** Защитный выключатель
- C** Кнопка блокировки шпинделя
- D** Болт крепления режущего диска
- E** Фланец
- F** Нижнее ограждение
- G** Ручка для открытия нижнего ограждения
- H** Зажимная поверхность
- J** Ручка установки глубины резки

- K** Опорная поверхность
- L** Индикатор глубины пропила
- M** Головка для регулировки угла пропила
- N** Индикатор угла пропила
- P** Винт регулировки 90-градусного упора
- Q** Устройство наблюдения за линией пропила
- R** Задняя ручка
- S** Передняя ручка
- T** Гаечный ключ для режущего диска
- V** Хранилище для ключа
- W** Отверстие для выброса стружки
- Y** Адаптер пылесоса
- Z** Продольная направляющая линейка
- AA** Головка для регулировки направляющей планки
- AB** Вентиляционные отверстия

## БЕЗОПАСНОСТЬ

### ОБЩИЕ УКАЗАНИЯ ПО ТЕХНИКЕ БЕЗОПАСНОСТИ ОБ- РАЩЕНИЯ С ЭЛЕКТРОИНСТРУМЕНТАМИ

**⚠ ВНИМАНИЕ!** Следует ознакомиться со всеми правилами техники безопасности, инструкциями, иллюстрациями и техническими данными, содержащимися в прилагаемых к этому электроинструменту материалах. Несоблюдение нижеперечисленных инструкций в полном объеме может повлечь поражение электрическим током, пожар и/или серьезную травму.

**Сохраняйте эти инструкции и указания для будущего использования.**

Использованное в настоящих инструкциях и указаниях понятие “электроинструмент” распространяется на электроинструмент с питанием от сети (с кабелем питания от электросети) и на аккумуляторный электроинструмент (без кабеля питания от электросети).

#### 1) БЕЗОПАСНОСТЬ РАБОЧЕГО МЕСТА

- a) **Соблюдайте чистоту и поддерживайте надлежащую освещенность на рабочем месте.** Беспорядок на рабочем месте или его плохое освещение могут привести к несчастным случаям.
- b) **Не используйте с электроинструментом во взрывоопасной среде, т.е. в непосредственной близости от легковоспламеняющихся жидкостей, газов или пыли.** В процессе работы электроинструмент искрит и искры могут воспламенить газы или пыль.
- c) **При работе с электроинструментом не допускайте детей или посторонних на Ваше рабочее место.** Отвлечение Вашего внимания может привести к потере контроля над работой электроинструмента.

#### 2) ЭЛЕКТРИЧЕСКАЯ БЕЗОПАСНОСТЬ

- a) **Штепсельная вилка кабеля питания электроинструмента должна соответствовать розетке электросети. Не вносите никаких изменений в конструкцию вилки. Не используйте адапторы для электроинструмента с защитным заземлением. Заводские штепсельные вилки и**

соответствующие им сетевые розетки существенно снижают вероятность электрошока.

- b) **Избегайте механических контактов с такими заземленными поверхностями, как трубопроводы, системы отопления, плиты и холодильники.** При соприкосновении человека с заземленными предметами во время работы инструментом вероятность электрошока существенно возрастает.
  - c) **Оберегайте электроинструмент от воздействия дождя и влаги.** Попадание воды в электроинструмент повышает вероятность электрического удара.
  - d) **Используйте кабель строго по назначению. Не допускается тянуть и передвигать электроинструмент за кабель или использовать кабель для вытягивания вилки из розетки. Берегайте кабель инструмента от воздействия высоких температур, масла, острых кромок или движущихся частей электроинструмента.** Поврежденный или спутанный кабель повышает возможность электрического удара.
  - e) **При работе на улице используйте удлинитель, предназначенный для работы вне помещения.** Использование такого удлинителя снижает вероятность электрического удара.
  - f) **Если невозможно избежать применения электроинструмента в сыром помещении, то устанавливайте устройство защиты от утечки в землю.** Использование устройства защиты от утечки в землю снижает риск электрического поражения.
- ### 3) ЛИЧНАЯ БЕЗОПАСНОСТЬ
- a) **Будьте внимательны, следите за тем, что Вы делаете и выполняйте работу обдуманно. Не пользуйтесь электроинструментом, если Вы устали или находитесь под воздействием транквилизаторов, алкоголя или медицинских препаратов.** Секундная потеря концентрации в работе с электроинструментом может привести к серьезным травмам.
  - b) **Используйте средства индивидуальной защиты. Защитные очки обязательны.** Средства индивидуальной защиты, такие как противопылевой респиратор, нескользящая защитная обувь, шлем-каска, средства защиты органов слуха применяются в соответствующих условиях работы обстоятельствах и минимизируют возможность получения травм.
  - c) **Предотвращайте непреднамеренное включение электроинструмента. Перед подключением электроинструмента к электропитанию и/или к аккумулятору убедитесь в выключенном состоянии электроинструмента.** Если Вы при транспортировке электроинструмента держите палец на выключателе или включенный электроинструмент подключаете к сети питания, то это может привести к несчастному случаю.
  - d) **Во избежание травм перед включением электроинструмента удалите регулировочный или гаечный ключ из вращающейся части электроинструмента.**
  - e) **Не переоценивайте свои возможности. Твердо стойте на ногах и удерживайте равновесие. В**

таком положении вы сможете лучше контролировать электроинструмент в неожиданных ситуациях.

- f) **Используйте подходящую рабочую одежду. Не надевайте свободную одежду и украшения. Держите волосы и одежду вдали от движущихся частей.** Свободная одежда, украшения или длинные волосы легко могут попасть в движущиеся части электроинструмента.
- g) **При наличии пылеотсасывающих и пылесборных приспособлений убедитесь в том, что они подсоединены и используются надлежащим образом.** Применение пылеотсоса может снизить опасности, создаваемые пылью.
- h) **Хорошее знание электроинструментов, полученное в результате частого их использования, не должно приводить к самоуверенности и игнорированию техники безопасности обращения с электроинструментами.** Одно небрежное действие за долю секунды может привести к серьезным травмам.

#### 4) ЭКСПЛУАТАЦИЯ И УХОД ЗА ЭЛЕКТРОИНСТРУМЕНТОМ

- a) **Не перегружайте электроинструмент. Используйте тот электроинструмент, который предназначен для данной работы.** С подходящим электроинструментом Вы выполните работу лучше и надежней, используя весь диапазон его возможностей.
- b) **Не используйте электроинструмент с неисправным выключателем.** Инструмент с неисправным выключателем опасен и подлежит ремонту.
- c) **До начала наладки электроинструмента, замены принадлежностей или прекращения работы отключайте штепсельную вилку от розетки сети и/или выньте, если это возможно, аккумулятор.** Данная мера предосторожности предотвращает случайное включение электроинструмента.
- d) **Храните неиспользуемый электроинструмент в недоступном для детей месте и не позволяйте использовать его лицам, не умеющим с ним обращаться или не ознакомленным с инструкцией по эксплуатации.** Электроинструменты представляют собой опасность в руках неопытных пользователей.
- e) **Тщательно ухаживайте за электроинструментом и принадлежностями. Проверяйте безупречность функций подвижных частей, лёгкость их хода, целостность всех частей и отсутствие повреждений, которые могут негативно сказаться на работе инструмента.** При обнаружении повреждений сдайте инструмент в ремонт. Большое число несчастных случаев связано с неудовлетворительным уходом за электроинструментом.
- f) **Резущие части инструмента необходимо поддерживать в заточенном и чистом состоянии.** При надлежащем уходе за режущими принадлежностями с острыми кромками они режут заклиниваются и инструмент лучше поддаётся контролю.
- g) **Используйте электроинструмент,**

**принадлежности, биты и т.д. в соответствии с данными инструкциями, исходя из особенностей условий и характера выполняемой работы.** Использование электроинструмента не по назначению может привести к опасным последствиям.

- h) **Держите ручки и поверхности захвата сухими и чистыми, следите чтобы на них чтобы на них не было жидкой или консистентной смазки.** Скользкие ручки и поверхности захвата препятствуют безопасному обращению с инструментом и не дают надежно контролировать его в непредвиденных ситуациях.

#### 5) СЕРВИСНОЕ ОБСЛУЖИВАНИЕ

- a) **Передавайте электроинструмент на сервисное обслуживание только квалифицированному персоналу, использующему только подлинные запасные части.** Это обеспечит сохранение безопасности электроинструмента.

#### УКАЗАНИЯ ПО ТЕХНИКЕ БЕЗОПАСНОСТИ ДЛЯ ДИСКОВЫХ ПИЛ

##### 1) РАСПИЛОВКА

- a) **ОПАСНОСТЬ : Не подставляйте руки в зону тиления и к тильному диску.** Ваша вторая рука должна охватывать дополнительную рукоятку или корпус двигателя. Если Вы обеими руками держите пилу, то тильный диск не может ранить их.
- b) **Не подсовывайте руки под изделие.** Ограждение не защищает от лезвия под изделием.
- c) **Отрегулируйте глубину пропила в соответствии с толщиной обрабатываемой поверхности.** Таким образом, чтобы тильный диск выступал из-под обрабатываемой поверхности не более, чем на глубину его зубцов.
- d) **Никогда не держите обрабатываемую деталь в руке или на руке. Надежно крепите обрабатываемую заготовку.** Для снижения опасности соприкосновения с телом, заклинивания тильного диска или потери контроля важно хорошо закрепить обрабатываемую заготовку.
- e) **Держите электроинструмент только за изолированные поверхности рукояток, поскольку режущие лезвия могут соприкоснуться со спрятанной проводной или шнуром** (перерезание провода под напряжением может вызвать подачу напряжения на открытые металлические части электроинструмента и привести к поражению оператора электрическим током)
- f) **При пилке по волокну используйте направляющую планку или направляющую с прямым краем.** Это повышает точность пилки и сокращает возможность заедания.
- g) **Применяйте всегда тильные диски с правильными размерами и с соответствующим посадочным отверстием (звездообразной или круглой формы).** Тильные диски, не подходящие к крепежным деталям пилы, вращаются с биением и ведут к потере контроля над инструментом.
- h) **Никогда не используйте изношенные или повреждённые шайбы или болты для лезвий.**

Эти детали специально предназначены для ваших лезвий для оптимальной эксплуатации и безопасности.

## 2) ОТДАЧА - ПРИЧИНЫ И СООТВЕТСТВУЮЩИЕ УКАЗАНИЯ

- Отдачей называется внезапная реакция при захвате, заедании или смещении лезвия пилы, которая приводит к неконтролируемому подниманию пилы из изделия в направлении к оператору
- При сильном захвате или заедании лезвия при закрытии пропила, лезвие останавливается, а работающий мотор отводит инструмент на большой скорости в сторону оператора
- Если лезвие перекошено или смещено в пропиле, зубья в задней части пилы могут застрять в верхней поверхности дерева, что приведёт к выталкиванию лезвия из пропила и отскакиванию в сторону оператора
- Обратный удар является следствием неправильного использования электроинструмента или ошибки оператора. Его можно предотвратить подходящими мерами предосторожности, описанными ниже.

a) **Крепко и надёжно удерживайте инструмент обеими руками, располагая их таким образом, чтобы предотвратить отдачу. Тело, при этом, должно располагаться с любой удобной стороны от диска, но, ни в коем случае, не по одной линии с ним.** Т.к. отдача может отбросить пилу назад, но сила отдачи может контролироваться пользователем, если соответствующие меры предосторожности соблюдены.

b) **При заедании лезвия или при прерывании пилки по какой-либо причине освободите триггер и держите пилу в материале неподвижно, пока пила не остановится полностью. Никогда не вынимайте пилу из изделия и не отводите её назад во время вращения пилы, т.к. это приведёт к отдаче.** Найдите причину заедания и осуществите необходимые действия для его устранения. Избегайте пилки по гвоздям и винтам.

c) **При включении пилы в изделии установите пилу в центре пропила и проверьте, чтобы зубья не захватывают материал.** В противном случае при заедании пилы во время её запуска её может оттолкнуть назад или отдать от изделия.

d) **Обеспечьте опору для больших панелей для устранения риска захвата и отдачи.** Большие панели обычно провисают под собственным весом. Опоры нужно размещать под панелью по обе стороны около линии пропила и около края панели.

e) **Не используйте тупые или повреждённые лезвия.** Незаточенные или неверно установленные лезвия дают узкий пропил, создавая избыточное трение, захват и отдачу лезвия.

f) **Перед началом работы рычаги для загибания глубины и сноса лезвия необходимо затягивать надёжно.** Если во время работы лезвие сместится, это приведёт к заеданию и отдаче.

g) **Будьте особенно осторожны при распиловке в стенах или других непросматриваемых участках.** При распиловке в скрытых объектах погружаемый в объект пильный диск может заблокироваться и вызвать рикошет.

## 1) ФУНКЦИЯ НИЖНЕГО ОГРАЖДЕНИЯ

- a) **Проверьте нижнее ограждение на верное закрытие перед началом работы. Не используйте пилу, если нижнее ограждение не перемещается свободно и не закрывается немедленно. Никогда не закрепляйте нижнее ограждение в открытом положении.** Если вы случайно уроните пилу, нижнее ограждение может быть согнуто. Разъединить штепсельный разъём, поднимите нижнее ограждение с помощью отводящей ручки и убедитесь в том, что оно свободно перемещается и не касается лезвия или другой части под всеми углами и глубинами пилки.
- b) **Проверьте работу пружины нижнего ограждения. Если пружина и ограждение работают ненормально, перед работой их нужно отрегулировать.** Нижнее ограждение будет работать плохо вследствие повреждения частей, накопившегося мусора или резинового отложения.
- c) **Нижнее ограждение можно отводить вручную только для специальных работ, напр., плунжерного разреза или комбинированного разреза.** Поднимите нижнее ограждение отводящей ручкой и как только лезвие войдёт в материал, освободите его. Для всех других видов работ нижнее ограждение должно работать автоматически.
- d) **Всегда следите за тем, чтобы нижнее ограждение закрывало лезвие перед помещением инструмента на пол или на верстак.** Незащищённое вращающееся лезвие заставит инструмент перемещаться и повредить всё, что попадёт на пути. Помните, что после выключения выключателем, требуется время для полной остановки лезвия.

## ДОПОЛНИТЕЛЬНЫЕ УКАЗАНИЯ ПО ТЕХНИКЕ БЕЗОПАСНОСТИ

- Процессы включения вызывают кратковременное снижение напряжения; при неблагоприятных условиях в сети может возникнуть отрицательное влияние на другие приборы (при импедансе сети меньше, чем 0,468 Ом, какие-либо нарушения не ожидаются); за разъяснениями просим обратиться к организациям - поставщикам электроэнергии в Вашем регионе

### ОБЩЕЕ

- Инструмент нельзя использовать лицам в возрасте до 16 лет
- Этот инструмент непригоден для резки со смачиванием
- **Перед регулировкой или сменой принадлежностей обязательно выньте вилку из сетевой розетки**
- Никогда не пользуйтесь инструментом с поврежденным кабелем питания; его необходимо заменить специальным кабелем питания, обратившись в сервисную организацию.
- **Не обращайтесь материалы с содержанием асбеста** (асбест считается канцерогеном)
- Пыль от таких материалов, как свинцовосодержащая краска, некачественные породы дерева, минералы и металл, может быть вредна (контакт с такой



пылью или ее вдыхание может стать причиной возникновения у оператора или находящихся рядом лиц аллергических реакций и/или респираторных заболеваний); **надевайте респиратор и работайте с пылеудаляющим устройством при включении инструмента**

- Некоторые виды пыли классифицируются как канцерогенные (например, дубовая или буковая пыль), особенно в сочетании с добавками для кондиционирования древесины; **надевайте респиратор и работайте с пылеудаляющим устройством при включении инструмента**
- Следуйте принятым в вашей стране требованиям/ нормативам относительно пыли для тех материалов, с которыми вы собираетесь работать
- Используйте только пыльный стол, снабженный выключателем, предотвращающим повторный пуск электродвигателя после перерыва в подаче электроэнергии
- Используйте только пыльный стол, снабженный внутреннем направляющем

#### **ПРИНАДЛЕЖНОСТИ**

- SKIL обеспечивает надёжную работу инструмента только при использовании соответствующих приспособлений
- Применяйте только пыльные диски с параметрами, указанными в этом руководстве по эксплуатации, которые испытаны по EN 847-1 и имеют соответствующее обозначение
- Использовать только принадлежности, предельно допустимая скорость вращения которых не меньше, чем максимальная скорость вращения прибора на холостом ходу
- Используйте только режущие диски диаметром от 184 до 184 мм и с отверстием шпинделя диаметром 16 мм (**5820**)
- Используйте только режущие диски диаметром от 180 до 190 мм и с отверстием шпинделя диаметром 16 мм (**5830**)
- Не допускается использовать режущие диски, изготовленные из быстрорежущей стали
- В данном инструменте не допускается применение шлифовальных/отрезных кругов

#### **ПЕРЕД ИСПОЛЬЗОВАНИЕМ**

- Обязательно убедитесь, что напряжение питания соответствует напряжению, указанному на фирменном штепселе инструмента
- Избегайте повреждений, которые могут быть вызваны винтами, гвоздями и прочими элементами, находящимися в обрабатываемом предмете; перед началом работы их нужно удалить
- Прежде чем приступить к резке, удалите все препятствия над траекторией резания и под ней
- **Закрепите обрабатываемую деталь** (обрабатываемая деталь, зафиксированная посредством зажимных устройств или тисков, закрепляется лучше, нежели при помощи рук)
- **Используйте подходящие металлодетекторы для нахождения скрытых проводов снабжения или наведите справки в местных предприятиях коммунального хозяйства** (контакт с электроразводкой может привести к пожару и электрическому удару; повреждение газопровода может привести к взрыву; повреждение водопровода может привести к повреждению имущества или вызвать электрический удар)

- Используйте полностью размотанные и безопасные удлинители, рассчитанные на ток не менее 16 А
- #### **ВО ВРЕМЯ ИСПОЛЬЗОВАНИЯ**
- Поскольку уровень шума при работе данного инструмента может превышать 80 dB(A); всегда используйте защиту для ушей
  - Запрещается использовать инструмент без штатной системы защитных щитков
  - Не пытайтесь резать слишком маленькие заготовки
  - При работе не поднимайте дисковую пилу выше уровня головы
  - В случае заедания или какой-либо электрической или механической неисправности немедленно отключите инструмент и выньте вилку из розетки
  - При повреждении или разрезании сетевого шнура во время работы не прикасайтесь к нему, и немедленно выньте вилку из розетки

#### **ПОСЛЕ ИСПОЛЬЗОВАНИЯ**

- Перед тем как положить инструмент, выключите двигатель и убедитесь в том, что все движущиеся детали полностью остановились
- Не допускается после отключения дисковой пилы останавливать вращение режущего диска, прикладывая к нему боковое усилие

#### **ПОЯСНЕНИЕ К УСЛОВНЫМ ОБОЗНАЧЕНИЯМ НА ИНСТРУМЕНТЕ**

- ③ Перед использованием ознакомьтесь с руководством по эксплуатации
- ④ Двойная изоляция (заземляющий провод не требуется)
- ⑤ Не выкидывайте инструмент вместе с бытовым мусором

## **ИСПОЛЬЗОВАНИЕ**

- Установка лезвия пилы ②
- ! **разъединить штепсельный разъём**
  - достаньте специальный ключ Т из ящичка V
  - нажмите блокировочную кнопку шпинделя С и держите её до тех пор, пока не вынете болт D, повернув его с помощью специального ключа Т
- ! **нажимайте кнопку шпинделя С только при полной остановке инструмента**
  - освободите блокировочную кнопку шпинделя С - снимите фланец E
- ! **убедитесь в том, что зажимные поверхности Н на фланцах идеально чистые и обращены к полотну пилы**
  - откройте нижний кожух F рычажком G и держите его пока вы установите полотно пилы так, чтобы зубья пилы и стрелка на полотне пилы были обращены в том же направлении, что и стрелка на верхнем кожухе
  - освободите нижний кожух F
  - установите фланец E
  - нажмите блокировочную кнопку шпинделя С и держите её пока вы затягиваете болт с помощью специального ключа на 1/8 оборота после затяжки пальцами (гарантирует проскальзывание полотна пилы при избыточном сопротивлении материала, что снижает перегрузку мотора и отдачу пилы)
  - освободите блокировочную кнопку шпинделя С
- Регулировка глубины пропила ⑥
  - для обеспечения оптимального качества реза

- режущий диск не должен выступать из заготовки больше чем на 3 мм
- отпустите головку J
  - поднимите/опустите основание K, чтобы установить желаемую глубину пропила с помощью индикатора L
  - затяните головку J
  - Регулировка угла пропила (0-50°) ⑦
    - отпустите головку M
    - наклоняйте инструмент, пока на шкале с помощью индикатора N не будет установлен требуемый угол пропила
    - затяните головку M
  - ! **при резке под углом глубина пропила не соответствует значению на шкале глубины пропила**
  - Проверка резки под углом 90° ⑦
    - отрегулируйте основание K на максимальную глубину пропила и затяните его ⑥
    - отрегулируйте угол пропила на 0° и затяните головку
    - проверьте угольником угол 90° между режущим диском и нижней поверхностью основания
    - если требуется регулировка, отпустите головку M и используйте регулировочный винт P как показано на рисунке
  - Регулируемое устройство наблюдения за линией пропила Q ⑧
    - используется для направления инструмента вдоль требуемой линии пропила, размеченной на заготовке
    - при прямом резании под углом 0° или при резании под углом 45° используйте соответствующий указатель
  - ! **широкая сторона основания должна располагаться на закрепленной части заготовки**
  - можно отрегулировать под полотна различной ширины, хотя возможно, что одна сторона полотна не подойдет, и тогда следует выбрать, будут ли отходы материала на внутренней или внешней стороне полотна ⑧
  - ! **ширина пропила определяется шириной зубьев режущего диска, а не шириной тела диска**
  - ! **для проверки фантической линии пропила обязательно сделайте пробный рез**
  - Отсасывание пыли
    - подсоедините пылесос к удлинителю Y ⑨
  - ! **не допускайте, чтобы шланг пылесоса мешал нижнему щитку или процессу пиления**
  - Использование инструмента ⑩
    - вставьте вилку в сетевую розетку
    - крепко держите пилу одной рукой за ручку R, а другой за ручку S
    - поставьте инструмент передним концом основания на заготовку
  - ! **убедитесь, что зубья пилы не касаются заготовки**
  - включите инструмент, для чего сначала нажмите большим кнопку В (= защитный выключатель без фиксатора), а затем переведите переключатель А
  - ! **инструмент не должен работать на полной скорости, пока режущий диск не войдет в**

## заготовку

- нижний щиток F автоматически открывается, когда режущий диск входит в заготовку (открывать нижний щиток вручную с помощью рычажка G следует только в особых случаях, например при выпиливании окон)
- ! **не прикладывайте к инструменту чрезмерных усилий (нажим должен быть легким и равномерным, чтобы острия лезвия не перегрелись и, в случае разрезания пластиковых деталей, не начал плавиться пластик)**
- ! **во время работы, всегда держите инструмент за места правильного хвата, которые обозначены серым цветом**
- по окончании резки отключите инструмент, отпустив переключатель А
- ! **перед удалением инструмента с обрабатываемой поверхности убедитесь в полной остановке пол**

## СОВЕТЫ ПО ИСПОЛЬЗОВАНИЮ

- Для обеспечения минимального расщепления заготовку располагайте обработанной стороной вниз
- Пользуйтесь только острыми режущими дисками надлежащего типа ⑩
  - качество пропила улучшается с увеличением числа зубьев
  - режущие диски с твердосплавными пластинками служат в 30 раз дольше, чем обычные режущие диски
- Продольная направляющая линейка Z ⑩
  - предназначена для выполнения точной резки вдоль кромки заготовки
  - может быть установлена с любой стороны основания
- Регулировка продольной направляющей линейки
  - отпустите головку AA
  - с помощью шкалы продольной направляющей линейки отрегулируйте требуемую ширину резки (используйте указатель линии пропила Q в качестве нулевой базы)
  - затяните головку AA
- Глубокое пиление ⑫
  - установите требуемую глубину пропила
  - наклоните инструмент вперед, совместив указатель линии пропила Q с размеченной на заготовке требуемой линией пропила
  - откройте нижний кожух F рычажком G
  - непосредственно перед тем, как режущий диск войдет в заготовку, включите инструмент и постепенно опускайте задний конец инструмента, используя переднюю кромку основания в качестве оси поворота
  - постепенно перемещайте инструмент вниз и вперед
  - как только лезвие войдет в материал, отпустите рычаг G
- ! **ни в коем случае не отводите инструмент назад**
- Резка больших панелей ⑬
  - создайте опору для панели около линии пропила на полу, на столе или на верстаке
- ! **установите глубину пропила таким образом,**

### чтобы прорезать панель, но не прорезать опору

- в случае, если требуемая ширина реза не позволяет использовать продольную направляющую линейку, прижмите или прибейте гвоздями к заготовке прямую деревянную планку в качестве направляющей, при этом к этой направляющей должна подниматься правая сторона основания инструмента

## ТЕХОБСЛУЖИВАНИЕ / СЕРВИС

- Данный инструмент не подходит для промышленного использования
- Всегда содержите инструмент и его шнур в чистоте (особенно вентиляционные отверстия АВ)  
**! перед чисткой инструмента выньте вилку из розетки**
- Содержите область возле нижнего кожуха F ② в чистоте (удаляйте пыль и стружку при помощи сжатого воздуха или щетки)
- Производите чистку режущего диска сразу же после использования (особенно от смолы и клея)
- Если инструмент, несмотря на тщательные методы изготовления и испытания, выйдет из строя, то ремонт следует производить силами авторизованной сервисной мастерской для электроинструментов фирмы SKIL
  - отправьте **неразобранный** инструмент со свидетельством покупки Вашему дилеру или в ближайшую станцию обслуживания фирмы SKIL (адреса и схема обслуживания инструмента приведены в вебсайте [www.skil.com](http://www.skil.com))
- Примите к сведению, что повреждения вследствие перегрузки или ненадлежащего обращения с инструментом не будут включены в гарантию (условия гарантии SKIL см. на сайте [www.skil.com](http://www.skil.com) или узнайте у дилера в Вашем регионе)

## ОХРАНА ОКРУЖАЮЩЕЙ СРЕДЫ

- **Не выкидывайте электроинструмент, принадлежности и упаковку вместе с бытовым мусором** (только для стран ЕС)
  - во исполнение европейской директивы 2012/19/ЕС об утилизации отслужившего свой срок электрического и электронного оборудования и в соответствии с действующим законодательством, утилизация электроинструментов производится отдельно от других отходов на предприятиях, соответствующих условиям экологической безопасности
  - значок ⑤ напомним Вам об этом, когда появится необходимость сдать электроинструмент на утилизацию

## ШУМ / ВИБРАЦИЯ

- Согласно измерениям в соответствии с EN 62841 уровень звукового давления этого инструмента составляет 97,0 дБ(А), уровень звуковой мощности — 108,0 дБ(А) (погрешность K = 3 дБ), а вибрация \* (векторная сумма по трем осям; погрешность K = 1,5 м/с<sup>2</sup>)
  - \* распиливание древесины 4,0 м/с<sup>2</sup>
  - \* распиливание металла 2,8 м/с<sup>2</sup>

- Уровень вибрации был измерен в соответствии со стандартизированным испытанием, содержащимся в EN 62841; данная характеристика может использоваться для сравнения одного инструмента с другим, а также для предварительной оценки воздействия вибрации при использовании данного инструмента для указанных целей
  - при использовании инструмента в других целях или с другими/неисправными вспомогательными приспособлениями уровень воздействия вибрации может значительно **повышаться**
  - в периоды, когда инструмент отключен или функционирует без фактического выполнения работы, уровень воздействия вибрации может значительно **снижаться**
- ! защищайте себя от воздействия вибрации, поддерживая инструмент в исправном состоянии, поддерживая руки в тепле, а также правильно организуя свой рабочий процесс**

UA

## Дисковая пила

5820/5830

### ВСТУП

- Цей інструмент призначений для позовжнього та поперечного розпилювання деревини прямими розрізами, а також розрізами під кутом 50°; також можливе розпилювання кольорових металів, легких будівельних матеріалів та пластика за допомогою відповідних лез
- Цей інструмент не придатний для промислового використання
- Прочитайте і збережіть цю Інструкцію з експлуатації ③

## ТЕХНІЧНІ ДАНІ ①

## ЕЛЕМЕНТИ ІНСТРУМЕНТА ②

- A** Курковий перемикач
- B** Аварійний вимикач
- C** Кнопка блокування шпинделя
- D** Болт кріплення ріжучого диску
- E** Фланець
- F** Нижній обмежувач
- G** Ручка для відкриття нижнього обмежувача
- H** Встановлювальна поверхня
- J** Ручка встановлення глибини розпили
- K** Поковзень
- L** Індикатор глибини розрізу
- M** Ручка для регулювання кута розрізу
- N** Індикатор кута розрізу
- P** Гвинт для вирівнювання кінцевого упору на 90°
- Q** Вказівник лінії пропили
- R** Задня ручка
- S** Передня ручка
- T** Гайковий ключ для ріжучого диску
- V** Відсік для зберігання гайкового ключа для ріжучого диску
- W** Отвір для видалення стружки

- Y Адаптер пилососу
- Z Направляюча планка
- AA Ручка для встановлювання направляючої планки
- AB Вентиляційні отвори

## БЕЗПЕКА

### ЗАГАЛЬНІ ВКАЗІВКИ З ТЕХНІКИ БЕЗПЕКИ ПОВОДЖЕННЯ З ЕЛЕКТРОІНСТРУМЕНТАМИ

**⚠ ПОПЕРЕДЖЕННЯ** Уважно вивчіть запобіжні заходи та ілюстрації, а також прочитайте вказівки та технічні умови, що входять в комплект поставки цього електроінструменту. Недотримання нижчеперелічених вказівок у повному обсязі може спричинити ураження електричним струмом, пожежу та / або серйозну травму.

**Добре зберігайте на майбутнє ці попередження і вказівки.**

Під поняттям "електроприлад" в цих попередженнях мається на увазі електроприлад, що працює від мережі (з електрокабелем) або від акумуляторної батареї (без електрокабелю).

#### 1) БЕЗПЕКА НА РОБОЧОМУ МІСЦІ

- a) **Примайте своє робоче місце в чистоті та прибирайте його.** Безлад або погане освітлення на робочому місці можуть призводити до нещасних випадків.
- b) **Не працюйте з приладом у середовищі, де існує небезпека вибуху внаслідок присутності горючих рідин, газів або пилу.** Електроприлади можуть породжувати іскри, від яких може займатися пил або пари.
- c) **Під час працювання з приладом не підпускайте до робочого місця дітей та інших людей.** Ви можете втратити контроль над приладом, якщо Ваша увага буде відвернута.

#### 2) ЕЛЕКТРИЧНА БЕЗПЕКА

- a) **Штепсель приладу повинен пасувати до розетки. Не дозволяється що-небудь міняти в штепселі.** Для роботи з приладами, що мають захисне заземлення, не використовуйте адаптери. Використання оригінального штепселя та належної розетки зменшує ризик удару електричним струмом.
- b) **Уникайте контакту частей тіла із заземленими поверхнями, як напр., трубами, батареями опалення, печами та холодильниками.** Коли Ваше тіло заземлене, існує збільшена небезпека удару електричним струмом.
- c) **Захищайте прилад від дощу та вологи.** Попадання води в електроінструмент збільшує ризик удару електричним струмом.
- d) **Не використовуйте кабель для перенесення приладу, підвішування або витягування штепселя з розетки.** Захищайте кабель від жару, олії, гострих країв та деталей приладу, що рухаються. Пошкодженій або закруплений кабель збільшує ризик удару електричним струмом.
- e) **Для зовнішніх робіт обов'язково використовуйте лише такий подовжувач, що допущений для**

**зовнішніх робіт.** Використання подовжувача, що розрахований на зовнішні роботи, зменшує ризик удару електричним струмом.

- f) **Якщо не можна запобігти винористанню електроприладу у вологому середовищі, використовуйте пристрій захисту від витоків у землю.** Використання зристою захисту від витоків у землю зменшує ризик удару електричним струмом.
- 3) **БЕЗПЕКА ЛЮДЕЙ**
  - a) **Будьте уважними, слідкуйте за тим, що Ви робите, та розсудливо поводьтеся під час роботи з електроприладом. Не користуйтеся приладом, якщо Ви стомлені або знаходитесь під дією наркотиків, спиртних напоїв або лік.** Мить неуважності при користуванні приладом може призводити до серйозних травм.
  - b) **Вдягайте особисте захисне спорядження та обов'язково вдягайте захисні окуляри.** Вдягання особистого захисного спорядження, як напр., - в залежності від виду робіт - захисної маски, спецвзуття, що не ковзається, каски або навушників, зменшує ризик травм.
  - c) **Уникайте ненавмисного вмикання. Перш ніж вмикати електроприлад в електромережу або встромляти акумуляторну батарею, брати його в руки або переносити, впевніться в тому, що електроприлад винмкнутий.** Тримання пальця на вимикачі під час перенесення електроприладу або встромляння в розетку увімкненого приладу може призводити до травм.
  - d) **Перед тим, як вмикати прилад, приберіть налагоджувальні інструменти та гайковий ключ.** Знаходження налагоджувального інструмента або ключа в деталі, що обертається, може призводити до травм.
  - e) **Не переоцінюйте себе. Зберігайте стійке положення та завжди зберігайте рівновагу.** Це дозволить Вам краще зберігати контроль над приладом у несподіваних ситуаціях.
  - f) **Вдягайте придатний одяг. Не вдягайте просторий одяг та прикраси. Не підставляйте волосся й одяг до деталей, що рухаються.** Просторий одяг, прикраси та довге волосся можуть попадати в деталі, що рухаються.
  - g) **Якщо існує можливість монтувати пилівідсмоктувальні або пилоуловлювальні пристрої, переконайтеся, щоб вони були добре під'єднані та правильно використовувалися.** Використання пилівідсмоктувального пристрою може зменшити небезпеки, зумовлені пилом.
  - h) **Добре знання електроінструментів, отримане в результаті частого їх використання, не повинно призводити до самовпевненості й ігнорування принципів техніки безпеки.** Необережна дія може в одну мить призвести до важкої травми.
- 4) **ПРАВИЛЬНЕ ПОВОДЖЕННЯ ТА КОРИСТУВАННЯ ЕЛЕКТРОПРИЛАДАМИ**
  - a) **Не перевантажуйте прилад. Використовуйте такий прилад, що спеціально призначений для певної роботи.** З придатним приладом Ви з меншим ризиком отримаєте кращі результати роботи, якщо будете працювати в зазначеному діапазоні потужності.

- b) **Не користуйтеся приладом з пошкодженим вимикачем.** Прилад, який не можна увімкнути або вимкнути, є небезпечним і його треба відремонтувати.
- c) **Перед тим, як регулювати що-небудь на приладі, мінати приладдя або ховати прилад, витягніть штепсель із розетки та/або витягніть акумуляторну батарею, якщо вона знімається.** Ці попереджувальні заходи з техніки безпеки зменшують ризик ненавмисного запуску приладу.
- d) **Зберігайте електроприлади, якими Ви саме не користуєтесь, далеко від дітей. Не дозволяйте користуватися електроприладом особам, що не знайомі з його роботою або не читали ці вказівки.** У разі застосування недосвідченими особами прилади несуть в собі небезпеку.
- e) **Старанно дглядайте за електроінструментами і приладдям.** Перевірте, щоб рухомі деталі приладу бездоганно працювали та не заїдали, не були поламаними або настільки пошкодженими, щоб це могло вплинути на функціонування приладу. Пошкоджені деталі треба відремонтувати в авторизованій майстерні, перш ніж ними можна знову користуватися. Велика кількість нещасних випадків спричиняється поганим доглядом за електроприладами.
- f) **Тримайте різальні інструменти добре нагостреними та в чистоті.** Старанно доглянути різальні інструменти з гострим різальним краєм менше застряють та їх легше вести.
- g) **Використовуйте електроприлади, приладдя до них, робочі інструменти т.і. відповідно до цих вказівок. Беріть до уваги при цьому умови роботи та специфіку виконуваної роботи.** Використання електроприладів для робіт, для яких вони не передбачені, може призводити до небезпечних ситуацій.
- h) **Тримайте рукоятки і поверхні захвату сухими і чистими, слідуйте, щоб на них не було оливи або густо мастила.** Слизькі рукоятки і поверхні захвату унеможливають безпечне поводження з електроінструментом та його контролювання в неочікуваних ситуаціях.
- 5) **СЕРВІС**
  - a) **Віддавайте свій прилад на ремонт лише кваліфікованим фахівцям та лише з використанням оригінальних запчастин.** Це забезпечить безпечність приладу на довгий час.

## **ВНАЗІВКИ З ТЕХНІКИ БЕЗПЕКИ ДЛЯ ДИСКОВИХ ПИЛОК**

### **1) РОЗПИЛЮВАННЯ**

- a) **НЕБЕЗПЕКА : Не підставляйте руки в зону розпилювання і під пиляльний диск.** Другою рукою тримайтеся за додаткову рукоятку або за нортус мотора. Якщо Ви будете обома руками триматися за тилку, Ви захистите руки від поранення.
- b) **Не просовуйте руки під виріб, що розпилюється.** Обмежувач не захистить Вас від леза під виробом.
- c) **Відрегулюйте глибину розпилу відповідно до товщини виробу, що розпилюється.** Зубці пили

- мають лише частково виглядати з-під виробу.
- d) **Ніколи не тримайте розпилювану деталь в руці або на полінах.** Зафіксуйте оброблювану деталь у стабільному кріпленні. Щоб зменшити ризик бути зачепленим, застрявання пиляльного диска або втрати контролю над ним, важливо, щоб оброблювана деталь була добре закріплена.
- e) **Тримайте електричний інструмент за ізольовані рукоятки, оскільки різальні леза можуть зачепити власний шнур живлення** (перерізання дроту під напругою призведе до проходження електричного струму через металеві деталі інструменту та до ураження оператора струмом)
- f) **Під час поздовжнього розпилювання завжди використовуйте спрямовуючу планку або спрямовувач країв.** Це покращує точність розрізу та зменшує вірогідність заїдання леза.
- g) **Завжди використовуйте лише пиляльні диски правильного розміру і з відповідною формою посадочного отвору (напр., зірчасті або круглі форми).** Пиляльні диски, що не пасують до монтажних деталей пилки, обертаються нерівно і призводять до втрати контролю.
- h) **Ніколи не використовуйте ушкоджені або невідповідні шайби або болти, що тримають лезо.** Шайби, що тримають лезо, та болт були спеціально розроблені у відповідності до Вашої пили для забезпечення оптимальної ефективності та безпеки її експлуатації.

### **2) ВІДДАЧА - ПРИЧИНИ ТА ВІДПОВІДНІ ВКАЗІВКИ**

- Віддача - це неочікувана реакція на защемлення, заїдання або неправильне центрування леза пили, що викликає неконтрольованих рух пили вгору від виробу, що розпилюється, та в напрямку оператора
- Коли лезо защемлене або міцно застрягло у розрізі деревини, воно переставе обертатись, тож мотор спричиняє швидкий рух інструмента назад в напрямку оператора
- Якщо лезо зігнулося в розрізі або погано відцентроване, зубці в задній частині пили можуть глибоко входити в поверхню деревини, в результаті чого лезо виходить з розрізу та відлітає назад в напрямку оператора
- Сіпання це результат неправильної експлуатації або помилки при роботі з електроприладом. Йому можна запобігти за допомогою належних запобіжних заходів, що описані нижче.
- a) **Обома руками міцно тримайте пилу, прикладаючи зусилля для запобігання віддачі. Стойте збоку від столу, а не на одній лінії з лезом.** В результаті віддачі пила може стрибнути назад, але оператор може контролювати силу віддачі за умови живання відповідних заходів безпеки.
- b) **Якщо лезо застрягло, або якщо розпилювання було зупинено з якоюсь причини, відпустіть тригер та залиште нерухому пилу в матеріалі до повної зупинки леза. Ніколи не намагайтесь забрати пилу від виробу або витягти її назад, якщо лезо ще рухається, або можлива віддача.** Перевірте виріб, що розпилюється, та усуньте причину заїдання леза. Запобігайте розпилюванню цвяхів або гвинтів.
- c) **При повторному встановленні пили на виріб**

відцентруйте лезо пили в розрізі та впевніться, що зубці пили не застрягли в матеріалі. Якщо лезо застрягло, під час увімкнення пили воно може рухатись вгору або викликати віддачу.

- d) **Забезпечте додаткову опору великих панелей, що мінімізувати ризик того, що лезо застрягне та викликає віддачу.** Великі панелі можуть прогинатися під власною вагою, тож під панелі з обох боків біля лінії розрізу та біля краю панелі треба поставити опори.
- e) **Не використовуйте путі або ушкоджені леза.** Не заточені або неправильно встановлені леза утворюють вузький розріз та викликають надмірне тертя, спричиняючи заїдання леза та віддачу.
- f) **Затисніть важелі регулювання глибини та нахилу леза мають бути добре та безпечно затягнені, перш ніж приступати до розпилю.** Якщо під час розпилювання настройка леза змінюється, це може викликати заїдання леза та віддачу.
- g) **Будьте особливо обережні при розпилюванні в стінах або в інших місцях, в які Ви не можете зазирнути.** При розпилюванні в прихованих об'єктах занурений пиляльний диск може заблокуватися і спричинити рикошет.

#### 1) ФУНКЦІЯ НИЖНЬОГО ОБМЕЖУВАЧА

- a) **Перед кожним використанням перевірте, чи добре закривається нижній обмежувач. Не використовуйте пилу, якщо нижній обмежувач не пересувається вільно та не закривається негайно. Ніколи не фіксуйте нижній обмежувач у відкритому положенні.** В разі випадкового падіння пили нижній обмежувач може погнути. Вийняти вилку з розетки, підніміть нижній обмежувач за допомогою ручки, що відводиться назад, та впевніться, що він вільно рухається, не чіпаючи леза або будь-якої іншої частини інструменту, під всіма кутами та на будь-яку глибину розрізу.
- b) **Перевірте функціонування пружини нижнього обмежувача. В разі некоректного функціонування обмежувача та пружини перед їх використанням треба провести їх технічне обслуговування.** Нижній обмежувач може працювати надто повільно внаслідок пошкодження якихось деталей, утворення клейкого нальоту або засмічення.
- c) **Нижній обмежувач може втягуватись вручну тільки для виконання особливих розрізів, таких як врізання та складні розрізи. Підніміть нижній обмежувач, відтягнувши ручку, та щойно лезо увійде в матеріал, відпустіть нижній обмежувач.** В усіх інших випадках розпилювання нижній обмежувач має функціонувати в автоматичному режимі.
- d) **Кожного разу, перш ніж поставити пилу на верстат або підлогу, перевіряйте, чи покриває нижній обмежувач лезо.** Незахищене лезо, що рухається за інерцією, викликає зворотній рух пили, що розпилюватиме все на своєму шляху. Зважайте на час, необхідний для повної зупинки леза після того, як вимикач було відпущено.

## ДОДАТКОВІ ВКАЗІВКИ З ТЕХНІКИ БЕЗПЕКИ

- Кидки струму викликають короточасні перепади напруги; при несприятливих умовах енергозабезпечення можливий вплив на інше встаткування (якщо імпеданс системи нижче 0,468 Ом, малоймовірне виникнення несправностей); якщо вам потрібні додаткові роз'яснення, ви можете звернутися в місцеву організацію енергопостачання

### ЗАГАЛЬНЕ

- Цей інструмент не можна використовувати особам віком до 16 років
- Цей інструмент не підходить для мокрого розпилювання
- **Перед регулюванням або заміною приладдя обов'язково вийміть вилку із сітрової розетки**
- Категорично забороняється користуватися інструментом при пошкодженні електричного шнура; заміна на аналогічний підготовлений шнур повинна проводитися організацією з обслуговування.
- **Не обробляйте матеріали, що містять асбест** (асбест вважається канцерогенним)
- Пил від таких матеріалів, як свинцовоутримуюча фарба, деякі породи дерева, мінерали й метал, може бути шкідливим (контакт із таким пилом або його вдихання може стати причиною виникнення в оператора або осіб, що перебувають поруч, алергічних реакцій і/або респіраторних захворювань); **надягайте респіратор і працюйте з пиловиділяючим пристроєм під час увімкнення інструмента**
- Деякі види пилу класифікуються як канцерогенні (наприклад, дубовий або буківий пил), особливо в сполученні з добавками для кондиціонування деревини; **надягайте респіратор і працюйте з пиловиділяючим пристроєм під час увімкнення інструмента**
- Слідуйте інструкціям по роботі з матеріалами, продуцуючими пил
- Використовуйте тільки розпилювальний стіл, який оснащено вимикачем, що запобігає увімкненню мотора після переривання в електропостачанні
- Використовуйте тільки розпилювальний стіл, який оснащено спрямовувачем пропилу

### АНКСЕСУАРИ

- SKIL гарантує надійну роботу інструмента тільки при використанні відповідного приладдя
- Використовуйте лише пиляльні диски, що відповідають характеристикам, зазначеним в цій інструкції, перевірені за EN 847-1 та мають відповідне маркування
- Використовуйте лише приладдя, припустима швидкість обертання якого як мінімум відповідає найвищій швидкості інструмента без навантаження
- Використовуйте леза пили діаметром від 184 до 184 мм та отвором шпindelю діаметром 16 мм (5820)
- Використовуйте леза пили діаметром від 190 до 190 мм та отвором шпindelю діаметром 16 мм (5830)
- Ніколи не використовуйте леза, виготовлені з швидкорізальної сталі (HSS)
- Ніколи не використовуйте в цьому інструменті шліфувальні / ріжучі диски

### ПЕРЕД ВИКОРИСТАННЯМ

- Перед роботою перевірте відповідність струму в мережі із струмом, позначені на інструменті

- Не допускайте пошкоджень, які можуть нанести шурупи, цвяхи і інші елементи вашому виробу; видаліть їх перед початком роботи
- Перш ніж почати розпилювання, видаліть всі перешкоди на поверхні та під лінією розпили
- **Зафіксуйте оброблювану деталь** (оброблювана деталь, зафіксована за допомогою затискних пристроїв або лещат, закріплюється краще, ніж вручну)
- **Використовуйте придатні пошукові прилади для знаходження захованих в будівлі труб та кабелів або зверніться за допомогою в місцеве підприємство електро-, газо- та водопостачання** (зачеплення електропроводки може призводити до пожежі та удару електричним струмом; зачеплення газової труби може призводити до вибуху; зачеплення водопровідної труби може завдати шкоду матеріальним цінностям або призводити до удару електричним струмом)
- Використовуйте повністю розгорнений шнур подовжувача, який може витримувати навантаження в 16 Ампер

### ПІД ЧАС ВИКОРИСТАННЯ

- Рівень шуму при роботі може перевищувати 85 дБ(а); використовуйте навушники
- Ніколи не використовуйте цей інструмент без оригінальної системи захисних обмежувачів
- Не намагайтеся розрізати дуже маленькі вироби
- При розпилюванні не тримайте пилу над головою
- У випадку електричної чи механічної несправності негайно вимкніть інструмент та вийміть вилку з розетки
- Якщо шнур пошкоджений або прорізаний при роботі, не доторкайтеся до нього і негайно витягніть його з розетки

### ПІСЛЯ ВИКОРИСТАННЯ

- Коли ви закінчили роботу з інструментом, вимкніть мотор і переконайтеся, що всі рухомі частини повністю зупинилися
- Після вимкнення дискової пили ніколи не намагайтеся зупинити обертання його леза, застосовуючи до нього бокові зусилля

### ПОЯСНЕННЯ ДО УМОВНИХ ПОЗНАЧОК НА ІНСТРУМЕНТІ

- ③ Перед використанням прочитайте інструкцію із застосування
- ④ Подвійна ізоляція (заземлюючий провід не потрібен)
- ⑤ Не викидайте інструмент разом зі звичайним сміттям

## ВИКОРИСТАННЯ

- Підготовка леза пилки ②
  - ! **вийняти вилку з розетки**
  - візьміть гайковий ключ Т з контейнера V
  - натисніть кнопку блокування шпинделя С та утримуйте її, поки вийматимете болт леза D за допомогою відповідного ключа Т
  - ! **натискайте кнопку блокування шпинделя С, тільки коли жодний елемент інструмента не рухається**
  - відпустіть кнопку блокування шпинделя С
  - видаліть фланець Е
  - ! **переконайтеся, що встановлювальні поверхні Н фланців ідеально чисті та „дивляться” на лезо**
  - відкрийте нижній обмежувач F за допомогою

- важеля G та утримуйте його, поки Ви монтуєте лезо пили, встановлюючи його таким чином, щоб зубці пили та стрілка на лезі вказували в тому ж напрямку, що й стрілка на верхньому обмежувачі
- відпустіть нижній обмежувач F
- встановіть фланець Е
- натисніть кнопку блокування шпинделя С та утримуйте її, поки не затягнете болт леза гайковим ключем на 1/8 оберту після того, як доводиться докласти ручного зусилля (забезпечте проковзування леза пили, коли воно стикається з надмірним опором, що забезпечує зменшення перевантаження мотора та віддачі пили)
- відпустіть кнопку блокування шпинделя С
- Регулювання глибини розпили ⑥
  - для отримання оптимальної якості розпилювання лезо пили не повинно виглядати з-під виробу, що розпилюється, більше, ніж на 3 мм
  - відпустіть ручку J
  - підніміть/опустіть притискну пластину K до встановлення необхідної глибини розрізу на шкалі за допомогою індикатора L
  - затягніть ручку J
- Регулювання кута розпили (0-50°) ⑦
  - відпустіть ручку M
  - нахиліть інструмент до отримання необхідного кута розрізу, що встановлюється на шкалі за допомогою індикатора N
  - затягніть ручку M
- ! **під час фацетування глибина розрізу не відповідає значенню глибини розрізу, що встановлене на шкалі**
- Перевірка кута розпили в 90° ⑧
  - відрегулюйте та затягніть притискну пластину K, встановивши максимальну глибину розрізу ⑥
  - відрегулюйте та зафіксуйте кут розрізу 0°
  - перевірте наявність 90° кута між лезом та основою притискної пластини за допомогою косинця
  - якщо потребується регулювання, послабте ручку M та використовуйте регулювальний гвинт P як показано на малюнку
- Регульований вказівник лінії пропили Q ⑨
  - для спрямування інструменту поздовж необхідній лінії розрізу, яка накреслена на виробі
  - для прямого розрізання під кутом 0° або фацетування (45°) використовуйте відповідну лінію індикатора
- ! **широка частина притискної пластини має спиратися на частину виробу, що міститься на опорі**
- можна налаштувати під пильні полотна різної ширини; однак може бути, що одна сторона пилки не вирівнюється, тоді вибирайте, чи є відходи на внутрішній або зовнішній стороні леза ⑧
- ! **ширина розрізу визначається шириною зубців пили, а не шириною самого полотна пили**
- ! **завжди спочатку робіть пробні розпили, щоб перевірити лінію пропили**
- Пилорозпилювання
  - під'єднайте пилосос до подовжувача Y ⑨
  - ! **не дозволяйте шлангу пилососа заважати функціонуванню нижнього обмежувача або розпилюванню**

- Використання інструменту ⑨
  - під'єднайте штепсельну вилку до мережі електроживлення
  - завжди міцно тримайте однією рукою ручку R, а іншою рукою – ручку S
  - поставте інструмент передньою частиною притискної пластини на виріб, що розпилюється
  - ! **переконайтесь, що зубці пили не застрягли в виріб**
  - увімкніть інструмент, спочатку натиснувши ручку B (= аварійний вимикач, який не можна вимкнути), а потім потягнувши за тригер A
  - ! **перш, ніж лезо пили торкнеться виробу, інструмент має працювати на повну швидкість**
  - нижній обмежувач F відкривається автоматично, коли лезо пили торкається виробу (тільки в разі виконання особливого розрізу, такого як врізання, можна відкрити нижній обмежувач вручну за допомогою важеля G)
  - ! **використовуючи інструмент, не докладайте надмірного зусилля (зусилля має бути помірним та постійним, щоб запобігти перегріванню вістря леза та, якщо розрізаються пластикові деталі, плавленню пластина)**
  - ! **під час роботи, завжди тримайте інструмент за частини захвату сірого кольору**
  - виконавши розпил, вимкніть інструмент, відпустивши тригер A
  - ! **перед видаленням інструменту з оброблюваної поверхні переконайтесь, що пилка остаточно зупинилась**

## ПОРАДИ ПО ВИКОРИСТАННЮ

- Завжди розташуйте виріб лицьовою стороною донизу, щоб забезпечити мінімальний ризик розколювання
- Використовуйте лише гострі леза пили відповідного типу ⑩
  - якість розпилювання покращується зі збільшенням кількості зубів леза
  - твердосплавні леза залишаються гострими у 30 разів довше, ніж звичайні леза
- Направляюча планка Z ⑪
  - для точного розпилювання виробу по всій його довжині
  - може бути встановлена з обох боків притискної пластини
- Встановлювання направляючої планки
  - відпустіть ручку AA
  - використовуючи шкалу направляючої планки, встановіть необхідну ширину розпилу (використовуйте вказівник лінії пропилю Q як основу для рівного пропилю)
  - затягніть ручку AA
- Врізне пиляння ⑫
  - встановіть необхідну глибину врізання
  - нахиліть інструмент уперед таким чином, щоб вказівник лінії пропилю Q співпадала з лінією необхідного розрізу, яка відзначена на робочому матеріалі
  - відкрийте нижній обмежувач F за допомогою важеля G

- перш ніж лезо торкнеться виробу, увімкніть інструмент та поступово опускайте задню частину інструмента, використовуючи передню частину притискної пластини як точку шарніра
- поступово переміщуйте інструмент донизу та вперед
- як тільки лезо торкнеться матеріалу, відпустіть важіль G

### ! ніколи не відтягуйте інструмент назад

- Розрізання великих панелей ⑬
  - забезпечте опору панелі, яка має бути розташована біля лінії розрізу та спиратися на підлогу, на стіл або на верстат
  - ! **встановіть глибину розрізу таким чином, щоб розрізати панель, а не опору**
  - якщо направляюча планка не дозволяє виконати розріз потрібної ширини, прикріпіть або прибийте цвяхами до виробу дерев'яну планку в якості спрямовувача, та притискайте до неї правий бік притискної пластини

## ДОГЛЯД/ОБСЛУГОВУВАННЯ

- Цей інструмент не придатний для промислового використання
- Завжди тримайте інструмент та його шнур в чистоті (особливо вентиляційні отвори AB)
- ! **перед чистою інструменту необхідно роз'єднати штепсельний роз'єм**
- Тримайте область навколо нижнього обмежувача F ② в чистоті (видаляйте пил та стружки за допомогою стисненого повітря або щітки)
- Прочистіть лезо пили негайно після використання (особливо від залишків резини та клею)
- Якщо незважаючи на ретельну технологію виготовлення і перевірки інструмент все-таки вийде з ладу, його ремонт дозволяється виконувати лише в авторизованій сервісній майстерні для електроприладів SKIL
  - надішліть **нерозібраний** інструмент разом з доказом купівлі до Вашого дилера або до найближчого центру обслуговування пристрою, подаються на сайті [www.skil.com](http://www.skil.com))
- Візьміть до відома, що ушкодження внаслідок перевантаження або неналежного поводження з інструментом не будуть включені в гарантію (умови гарантії SKIL див. на сайті [www.skil.com](http://www.skil.com) або довідайтеся в дилера у Вашому регіоні)

## ОХОРОНА НАВКОЛИШНЬОЇ СЕРЕДИ

- **Не викидайте електроінструмент, придатності та упакування разом зі звичайним сміттям** (тільки для країн ЄС)
  - відповідно до європейської директиви 2012/19/ЄС щодо утилізації старих електричних та електронних приладів, в залежності з місцевим законодавством, електроінструмент, який перебував в експлуатації повинен бути утилізований окремо, безпечним для навколишнього середовища шляхом
  - малюнок ⑤ нагадає вам про це



## ШУМ / ВІБРАЦІЯ

- За вимірами відповідно до EN 62841 рівень звукового тиску цього інструменту становлює 97,0 дБ(А) та рівень потужності звуку дорівнює 108,0 дБ(А) (коефіцієнт недостовірності  $K = 3$  дБ), а вібрація \* (трисекційна векторна сума; коефіцієнт недостовірності  $K = 1,5$   $m/c^2$ )
    - \* розпилювання деревини 4,0  $m/c^2$
    - \* розпилювання металу 2,8  $m/c^2$
  - Рівень вібрації було виміряно у відповідності зі стандартизованим випробуванням, що міститься в EN 62841; дана характеристика може використовуватися для порівняння одного інструмента з іншим, а також для попередньої оцінки впливу вібрації під час застосування даного інструмента для вказаних цілей
    - при використанні інструмента в інших цілях або з іншими/несправними допоміжними пристосуваннями рівень впливу вібрації може значно **підвищуватися**
    - у періоди, коли інструмент вимикнений або функціонує без фактичного виконання роботи, рівень впливу вібрації може значно **знижуватися**
- ! захищайте себе від впливу вібрації, підтримуючи інструмент і його допоміжні пристосування в справному стані, підтримуючи руки в теплі, а також правильно організовуючи свій робочий процес**

GR

**Дискоπρίονο 5820/5830**

## ΕΙΣΑΓΩΓΗ

- Το εργαλείο προορίζεται για τη διεξαγωγή επίμηκων και εγκάρσιων τομών σε ξύλο με ευθεία διαδρομή ή με διαδρομή υπό γωνία έως 50° - αε τις καταλλήλες πριονόλαμες μπορούν να πριονιστούν και μη πολύτιμα μέταλλα εκτός σιδήρου, ελαφρά δομικά υλικά καθώς και πλαστικά
- Αυτό το εργαλείο δεν προορίζεται για επαγγελματική χρήση
- Διαβάστε και φυλάξτε αυτές τις οδηγίες χρήσεως ③

## ΤΕΧΝΙΚΑ ΧΑΡΑΚΤΗΡΙΣΤΙΚΑ ①

### ΜΕΡΗ ΤΟΥ ΕΡΓΑΛΕΙΟΥ ②

- A Διακόπτης σκανδάλης
- B Διακόπτης ασφαλείας
- C Κουμπί ασφάλισης της άτρακτου
- D Κοχλίας δίσκου
- E Φλάντζα
- F Κάτω προφυλακτήρας
- G Μοχλός για το άνοιγμα του κάτω προφυλακτήρα
- H Επιφάνεια σύσφιξης
- J Κουμπί ρύθμισης βάθους πριονίσματος
- K Έλασμα έδρασης
- L Δείκτης βάθους κοπής
- M Πεταλούδα ρύθμισης βάθους κοπής
- N Δείκτης γωνίας κοπής
- P Βίδα για τη ρύθμιση της ευθυγράμμισης

του τελικού στοπ κατά 90°

- Q Δείκτης γραμμής κοπής
- R Πίσω λαβή
- S Μπροστινή λαβή
- T Κλειδί δίσκου
- V Θέση φύλαξης κλειδιού λάμας
- W Έξοδος πριονιδιών
- Y Προσαρμοστικό της ηλεκτρικής σκούπας
- Z Οδηγός παράλληλης κοπής
- AA Πεταλούδα ρύθμισης οδηγού παράλληλης κοπής
- AB Σχισμές αερισμού

## ΑΣΦΑΛΕΙΑ

### ΓΕΝΙΚΕΣ ΥΠΟΔΕΙΞΕΙΣ ΑΣΦΑΛΕΙΑΣ ΓΙΑ ΗΛΕΚΤΡΙΚΑ ΕΡΓΑΛΕΙΑ

**⚠ ΠΡΟΕΙΔΟΠΟΙΗΣΗ Διαβάστε όλες τις προειδοποιήσεις ασφαλείας καθώς και τις οδηγίες, εικόνες και προδιαγραφές που παρέχονται με αυτό το ηλεκτρικό εργαλείο.** Αμέλεια τήρησης όλων των οδηγιών που παρατίθενται παρακάτω μπορεί να προκαλέσει ηλεκτροπληξία, πυρκαγιά ή/και σοβαρό τραυματισμό.

**Φυλάξτε όλες τις υποδείξεις ασφαλείας και τις οδηγίες για το μέλλον.**

Ο ορισμός “ηλεκτρικό εργαλείο” που χρησιμοποιείται στις προειδοποιητικές υποδείξεις αναφέρεται σε ηλεκτρικά εργαλεία που τροφοδοτούνται από το ηλεκτρικό δίκτυο (με ηλεκτρικό καλώδιο) καθώς και σε ηλεκτρικά εργαλεία που τροφοδοτούνται από μπαταρία (χωρίς ηλεκτρικό καλώδιο).

### 1) ΑΣΦΑΛΕΙΑ ΣΤΟ ΧΩΡΟ ΕΡΓΑΣΙΑΣ

- a) **Διατηρείτε το χώρο που εργάζεσθε καθαρό και καλά φωτισμένο.** Αταξία στο χώρο που εργάζεσθε ή μη φωτισμένες περιοχές εργασίας μπορεί να οδηγήσουν σε ατυχήματα.
  - b) **Μην εργάζεσθε με το ηλεκτρικό εργαλείο σε περιβάλλον που υπάρχει κίνδυνος έκρηξης, στο οποίο υπάρχουν εύφλεκτα υγρά, αέρια ή σκόνη.** Τα ηλεκτρικά εργαλεία μπορεί να δημιουργήσουν σπινθηρισμό ο οποίος μπορεί να αναφλέξει τη σκόνη ή τις αναθυμιάσεις.
  - c) **Όταν χρησιμοποιείτε το ηλεκτρικό εργαλείο κρατάτε τα παιδιά κι άλλα τυχόν πρόσωπα μακριά από το χώρο που εργάζεσθε.** Σε περίπτωση που άλλα άτομα αποσπάσουν την προσοχή σας μπορεί να χάσετε τον έλεγχο του μηχανήματος.
- ### 2) ΗΛΕΚΤΡΙΚΗ ΑΣΦΑΛΕΙΑ
- a) **Το φως του καλωδίου του ηλεκτρικού εργαλείου πρέπει να ταυριάζει στην αντίστοιχη πρίζα. Δεν επιτρέπεται με κανένα τρόπο η μετασκευή του φως. Μην χρησιμοποιείτε προσαρμοστικά φως σε συνδυασμό με ηλεκτρικά εργαλεία συνδεδεμένα με τη γη (γειωμένα).** Αθικτα φως και κατάλληλες πρίζες μειώνουν τον κίνδυνο ηλεκτροπληξίας.
  - b) **Αποφεύγετε την επαφή του σώματος σας με γειωμένες επιφάνειες όπως σωλήνες, θερμομαντικά σώματα (καλοριφέρ), κουζίνες και ψυγεία.** Όταν το σώμα σας είναι γειωμένο αυξάνεται ο κίνδυνος ηλεκτροπληξίας.

- c) **Μην εκθέτετε το ηλεκτρικό εργαλείο στη βροχή ή την υγρασία.** Η διείσδυση νερού στο ηλεκτρικό εργαλείο αυξάνει τον κίνδυνο ηλεκτροπληξίας.
- d) **Μη χρησιμοποιείτε το καλώδιο για να μεταφέρετε ή ν' αναρτήσετε το ηλεκτρικό εργαλείο ή για να βγάλετε το φις από την πρίζα.** Κρατάτε το καλώδιο μακριά από υψηλές θερμοκρασίες, λάδια, κοφτερές ακμές ή κινούμενα εξαρτήματα. Τυχόν χαλασμένα ή μπερδεμένα καλώδια αυξάνουν τον κίνδυνο ηλεκτροπληξίας.
- e) **Όταν εργάζεστε με το ηλεκτρικό εργαλείο στο ύπαιθρο χρησιμοποιείτε πάντοτε καλώδια επιμήκυνσης (μπαλαντάζες) που έχουν εγκριθεί για χρήση σε εξωτερικούς χώρους.** Η χρήση καλωδίων επιμήκυνσης εγκριμένων για εργασία σε εξωτερικούς χώρους μειώνει τον κίνδυνο ηλεκτροπληξίας.
- f) **Όταν η χρήση του ηλεκτρικού εργαλείου σε υγρό περιβάλλον είναι αναπόφευκτη, τότε χρησιμοποιήστε έναν προστατευτικό διακόπτη διαρροής.** Η χρήση ενός προστατευτικού διακόπτη διαρροής ελαττώνει τον κίνδυνο ηλεκτροπληξίας.
- 3) ΑΣΦΑΛΕΙΑ ΠΡΟΣΩΠΩΝ**
- a) **Να είσθε πάντοτε προσεκτικός/προσεκτική, να δίνετε προσοχή στην εργασία που κάνετε και να χειρίζεστε το ηλεκτρικό εργαλείο με περίσκεψη.** Μην κάνετε χρήση του ηλεκτρικού εργαλείου όταν είσθε κουρασμένος/κουρασμένη ή όταν βρίσκεσθε υπό την επιρροή ναρκωτικών, οινοπνεύματος ή φαρμάκων. Μια στιγμήαία απροσεξία κατά το χειρισμό του ηλεκτρικού εργαλείου μπορεί να οδηγήσει σε σοβαρούς τραυματισμούς.
- b) **Φοράτε προστατευτικά ενδύματα και πάντοτε προστατευτικά γυαλιά.** Όταν φοράτε ενδύματα ασφαλείας, ανάλογα με το υπό χρήση ηλεκτρικό εργαλείο, όπως προσωπίδα προστασίας από σκόνη, αντιολισθητικά παπούτσια ασφαλείας, κράνη ή ωταπόιδες, μειώνεται ο κίνδυνος τραυματισμών.
- c) **Αποφεύγετε την αθέλητη εκκίνηση. Βεβαιωθείτε ότι το ηλεκτρικό εργαλείο έχει αποζευχτεί πριν το συνδέσετε με το ηλεκτρικό δίκτυο ή/και με την μπαταρία καθώς και πριν το παραλάβετε ή το μεταφέρετε.** Όταν μεταφέρετε το ηλεκτρικό εργαλείο έχοντας το δάχτυλό σας στο διακόπτη ή όταν συνδέσετε το μηχανήμα με την πηγή ρεύματος όταν αυτό είναι ακόμη συζευγμένο, τότε δημιουργείται κίνδυνος τραυματισμών.
- d) **Αφαιρείτε από τα ηλεκτρικά εργαλεία πριν τα θέσετε σε λειτουργία τυχόν συναρμολογημένα χρησιμοποιήσιμα εργαλεία ή κλειδιά.** Ένα εργαλείο ή κλειδί συναρμολογημένο στο περιστρεφόμενο εξάρτημα ενός ηλεκτρικού εργαλείου μπορεί να οδηγήσει σε τραυματισμούς.
- e) **Μην υπερκτιμάτε τον εαυτό σας. Φροντίστε για την ασφαλή στήριξη του σώματός σας και διατηρείτε πάντοτε την ισορροπία σας.** Αυτό σας επιτρέπει τον καλύτερο έλεγχο το ηλεκτρικού εργαλείου σε περιπτώσεις απροσδόκτων καταστάσεων.
- f) **Φοράτε κατάλληλη ενδυμασία εργασίας. Μη φοράτε φαρδιά ρούχα ή κοσμήματα. Κρατάτε τα μαλλιά και τα ρούχα σας μακριά από κινούμενα εξαρτήματα.** Χαλαρή ενδυμασία, κοσμήματα και

μακριά μαλλιά μπορεί να εμπλακούν στα κινούμενα εξαρτήματα.

- g) **Αν υπάρχει η δυνατότητα συναρμολόγησης διατάξεων αναρρόφησης ή συλλογής σκόνης, βεβαιωθείτε αν οι διατάξεις αυτές είναι συνδεδεμένες καθώς κι αν χρησιμοποιούνται σωστά.** Η χρήση μιας αναρρόφησης σκόνης μπορεί να ελαττώσει τον κίνδυνο που προκαλείται από τη σκόνη.
- h) **Μην εφησυχάζετε σε μια λάθος ασφάλεια και μην αφήφάτε τους κανόνες ασφαλείας για τα ηλεκτρικά εργαλεία, ακόμα και όταν μετά από συχνή χρήση είστε εξοικειωμένοι με το εργαλείο.** Ένας απρόσεκτος χειρισμός μπορεί μέσα σε κλάσματα του δευτερολέπτου να οδηγήσει σε σοβαρούς τραυματισμούς.
- 4) ΧΡΗΣΗ ΚΙ ΕΠΙΜΕΛΗΣ ΧΕΙΡΙΣΜΟΣ ΤΩΝ ΗΛΕΚΤΡΙΚΩΝ ΕΡΓΑΛΕΙΩΝ**
- a) **Μην υπερφορτώνετε το ηλεκτρικό εργαλείο.** Χρησιμοποιείτε για την εκάστοτε εργασία σας το ηλεκτρικό εργαλείο που προορίζεται γι' αυτήν. Με το κατάλληλο ηλεκτρικό εργαλείο εργάζεσθε καλύτερα και ασφαλέστερα στην αναφερόμενη περιοχή ισχύος.
- b) **Μη χρησιμοποιήσετε ποτέ ένα ηλεκτρικό εργαλείο του οποίου ο διακόπτης ON/OFF είναι χαλασμένος.** Ένα ηλεκτρικό εργαλείο το οποίο δεν μπορεί να τεθεί πλέον σε ή εκτός λειτουργίας είναι επικίνδυνο και πρέπει να επισκευαστεί.
- c) **Τροβήξετε το φις από την πρίζα και/ή απομακρύνετε μια αποσπώμενη μπαταρία, προτού εκτελέσετε ρυθμίσεις στο ηλεκτρικό εργαλείο, προτού αλλάξετε εξαρτήματα ή φυλάξετε το ηλεκτρικό εργαλείο.** Αυτά τα προληπτικά μέτρα ασφαλείας μειώνουν τον κίνδυνο από τυχόν αθέλητη εκκίνηση του ηλεκτρικού εργαλείου.
- d) **Διαφυλάγετε τα ηλεκτρικά εργαλεία που δε χρησιμοποιείτε μακριά από παιδιά.** Μην αφήνετε άτομα που δεν είναι εξοικειωμένα με το ηλεκτρικό εργαλείο ή δεν έχουν διαβάσει αυτές τις οδηγίες χρήσης να το χρησιμοποιήσουν. Τα ηλεκτρικά εργαλεία είναι επικίνδυνα όταν χρησιμοποιούνται από άπειρα πρόσωπα.
- e) **Φροντίστε τα ηλεκτρικά εργαλεία και τα εξάρτημα με επιμέλεια.** Ελέγχετε, αν τα κινούμενα εξαρτήματα λειτουργούν άψογα, χωρίς να μπλοκάρουν, ή μήπως έχουν σπάσει ή φθαρεί τυχόν εξαρτήματα τα οποία επηρεάζουν τον τρόπο λειτουργίας του ηλεκτρικού εργαλείου. Δώστε αυτά τα χαλασμένα εξαρτήματα για επισκευή πριν τα ξαναχρησιμοποιήσετε. Η κακή συντήρηση των ηλεκτρικών εργαλείων αποτελεί αιτία πολλών ατυχημάτων.
- f) **Διατηρείτε τα κοπτικά εργαλεία κοφτερά και καθαρά.** Τα κοπτικά εργαλεία που συντηρούνται με προσοχή μπορούν να οδηγηθούν εύκολα και να ελεγχθούν καλύτερα.
- g) **Χρησιμοποιείτε τα ηλεκτρικά εργαλεία, τα εξαρτήματα, τα χρησιμοποιήσιμα εργαλεία κτλ. σύμφωνα με τις παρούσες οδηγίες καθώς. Λαμβάνετε ταυτόχρονα υπόψη σας τις συνθήκες εργασίας και την υπό εκτέλεση εργασία.** Η χρήση του ηλεκτρικού εργαλείου για άλλες εκτός από τις προβλεπόμενες εργασίες μπορεί να δημιουργήσει επικίνδυνες καταστάσεις.

- h) **Διατηρείτε τις λαβές και επιφάνειες λαβής στεγνές, καθαρές και ελεύθερες από λάδι και γράσο.** Οι ολισθηρές λαβές και επιφάνειες λαβής δεν επιτρέπουν κανέναν ασφαλή χειρισμό και έλεγχο του ηλεκτρικού εργαλείου σε τυχόν απρόβλεπτες καταστάσεις.
- 5) **ΣΕΡΒΙΣ**
- a) **Δίνετε το ηλεκτρικό σας εργαλείο για επισκευή από άριστα ειδικευμένο προσωπικό, μόνο με γνήσια ανταλλακτικά.** Έτσι εξασφαλίζεται η διατήρηση της ασφάλειας του ηλεκτρικού εργαλείου.

## ΥΠΟΔΕΙΞΕΙΣ ΑΣΦΑΛΕΙΑΣ ΓΙΑ ΔΙΣΚΟΠΡΙΟΝΑ

### 1) ΔΙΑΔΙΚΑΣΙΑ ΚΟΠΗΣ

- a) **ΚΙΝΔΥΝΟΣ : Μη βάλετε τα χέρια σας στον τομέα πριονίσματος και στον πριονόδισκο.** Κρατάτε με το δεύτερο (το άλλο) χέρι σας την πρόσθετη λαβή ή το περίβλημα του κινητήρα. Όταν κρατάτε το πριόνι και με τα δυο σας χέρια τότε το πριόνι δεν μπορεί να σας τραυματίσει.
- b) **Μην βάζετε τα χέρια σας κάτω από το κομμάτι εργασίας.** Ο προφυλακτήρας δεν μπορεί να σας προστατέψει από τον δίσκο κάτω από το κομμάτι εργασίας.
- c) **Προσαρμότε το βάθος κοπής ανάλογα με το πάχος του ξύλου κοπής.** Να είναι ορατή κάτω από το ξύλο κοπής μία πλήρης οδόντωση του πριονόδισκου κοπής.
- d) **Να μην κρατάτε ποτέ το υπό κοπή τεμάχιο με το χέρι και να μην το ακουμπάτε επάνω στα σκέλη σας. Να ασφαλίσετε το υπό κατεργασία τεμάχιο επάνω σε μια στερεή επιφάνεια.** Η καλή στερέωση του υπό κατεργασία τεμαχίου είναι σημαντική επειδή έτσι περιορίζετε στο ελάχιστο τον κίνδυνο της επαφής του με το σώμα σας, του σφηνώματος του πριονόδισκου ή της απώλειας του ελέγχου.
- e) **Κρατήστε το ηλεκτρικό εργαλείο από τις μονωμένες επιφάνειες συγκράτησης, καθώς οι λεπίδες κοπής μπορεί να έρθουν σε επαφή με κρυμμένα καλώδια ή το καλώδιο της συσκευής (η επαφή με ηλεκτροφόρο καλώδιο από τις λεπίδες ενδέχεται να κάνει ηλεκτροφόρα τα εκτεθειμένα μεταλλικά μέρη του ηλεκτρικού εργαλείου και να προκληθεί ηλεκτροπληξία στον χειριστή)**
- f) **Χρησιμοποιείτε πάντα τον οδηγό παράλληλης κοπής ή τον οδηγό ευθείας γωνίας όταν πραγματοποιείτε παράλληλες κοπές.** Έτσι αυξάνεται η ακρίβεια κοπής και μειώνεται η πιθανότητα σφηνώματος του δίσκου.
- g) **Να χρησιμοποιείτε πάντοτε πριονόδισκους με το σωστό μέγεθος που ταιριάζουν στη μορφή της φλάντζας υποδοχής (π.χ. αστεροειδής ή στρογγυλή).** Πριονόδισκοι που δεν ταιριάζουν με τα εξαρτήματα συναρμολόγησης του πριονιού περιστρέφονται ελλειπτικά και οδηγούν σε απώλεια του ελέγχου.
- h) **Ποτέ μη χρησιμοποιείτε ροδέλες ή κοχλίες του δίσκου οι οποίοι παρουσιάζουν βλάβη ή δεν είναι κατάλληλοι.** Οι ροδέλες και ο κοχλίας του δίσκου έχουν σχεδιαστεί ειδικά για το δισκοπριονό σας, για την καλύτερη δυνατή απόδοση και ασφάλεια λειτουργίας.
- 2) **ΚΛΩΤΣΗΜΑ - ΑΙΤΙΕΣ ΚΑΙ ΣΧΕΤΙΚΕΣ ΥΠΟΔΕΙΞΕΙΣ**
- Το "κλώτσημα" είναι μια απότομη αντίδραση

προκαλούμενη από έναν σφηνωμένο, μπλοκαρισμένο ή μη ευθυγραμμισμένο δίσκο, που έχει ως αποτέλεσμα το δισκοπριονό να μην βρίσκεται πια υπό τον έλεγχο του χειριστή ή να εκσφενδονίζεται προς τα επάνω, έξω από το κομμάτι εργασίας και προς το μέρος του χειριστή

- Όταν ο δίσκος έχει σφηνώσει ή μαγκώσει σφιχτά στον αρμό κοπής, ο δίσκος μπλοκάρει και η κίνηση της μηχανής στρώνει το εργαλείο με μεγάλη ταχύτητα προς το μέρος του χειριστή
  - Σε περίπτωση που ο δίσκος παραμορφωθεί ή δεν είναι σωστά ευθυγραμμισμένος στην εγκοπή, τα δόντια στο πίσω άκρο του δίσκου ενδέχεται να αρπάξουν την επάνω επιφάνεια του ξύλου με αποτέλεσμα ο δίσκος να βγει από τον αρμό κοπής και να πεταχτεί προς το μέρος του χειριστή
  - Το κλώτσημα είναι το αποτέλεσμα ενός εσφαλμένου ή ελλιπούς χειρισμού του ηλεκτρικού εργαλείου και μπορεί να αποφευχθεί με λήψη κατάλληλων προληπτικών μέτρων, σαν αυτά που περιγράφονται παρακάτω.
- a) **Κρατάτε το δισκοπριονό σφιχτά με τα δυο σας χέρια και τοποθετήστε τα βραχίονα σας σταθερά ώστε να μπορείτε να αντισταθείτε στις δυνάμεις ενός ενδεχόμενου κλωτσήματος του δισκοπριονιού. Τοποθετήστε το σωμα σας σε μία από τις δύο πλευρές του δίσκου, αλλά όχι στη ευθεία του δίσκου.** Αν "κλωτσήσει" το δισκοπριονό μπορεί να πεταχτεί προς τα πίσω, αλλά ο χειριστής μπορεί να ελέγξει τις δυνάμεις ενός ενδεχόμενου κλωτσήματος, αν λάβει τα κατάλληλα προληπτικά μέτρα.
- b) **Όταν ο δίσκος μαγκώνει, ή όταν διακόπτεται η κοπή για οποιονδήποτε λόγο, αφήστε τη σκανδάλη και κρατήστε το δισκοπριονό ακίνητο στο υλικό μέχρι να σταματήσει τελείως ο δίσκος. Ποτέ μην επιχειρείτε να απομακρύνετε το δισκοπριονό από το κομμάτι εργασίας ή να τραβήξετε το δισκοπριονό προς τα πίσω ενώ ο δίσκος βρίσκεται σε κίνηση: υπάρχει κίνδυνος κλωτσήματος.** Εξακριβώστε την αιτία και λάβετε τα απαιτούμενα μέτρα για την εξουδετέρωση της αιτίας του σφηνώματος του δίσκου. Αποφεύγετε την κοπή καρφιών ή βιδών.
- c) **Κατά την επανεκκίνηση του δισκοπριονιού στο κομμάτι εργασίας, κεντράρετε τον δίσκο κοπής στον αρμό κοπής και βεβαιωθείτε ότι τα δόντια του δίσκου δεν εμπλέκονται στο υλικό.** Αν σφηνώσει ο δίσκος κοπής, ενδέχεται να κινηθεί προς τα πάνω ή να κλωτσήσει κατά την επανεκκίνηση του δισκοπριονιού.
- d) **Υποστηρίξτε μεγάλα φύλλα ξύλου για να μειώσετε στο ελάχιστο τον κίνδυνο του σφηνώματος και του κλωτσήματος του δίσκου.** Μεγάλα φύλλα έχουν την τάση να λυγίζουν κάτω από το δικό τους βάρος. Τα στηρίγματα θα πρέπει να τοποθετούνται και στις δύο πλευρές κάτω από το φύλλο, κοντά στη γραμμή κοπής και κοντά στην άκρη του φύλλου.
- e) **Μη χρησιμοποιείτε στομωμένους ή φθαρμένους δίσκους.** Όταν χρησιμοποιούνται αμβλίες ή λάθος τοποθετημένοι δίσκοι σχηματίζονται στενοί αρμοί κοπής, με αποτέλεσμα τη δημιουργία υπέρμετρης τριβής, το σφηνώμα του δίσκου και το κλώτσημα του πριονιού.
- f) **Οι μοχλοί ασφάλισης του βάθους κοπής και της**

**ρύθμισης λοξής γωνίας θα πρέπει να έχουν σφίχτεί και να έχουν ασφαλιστεί πριν από την πραγματοποίηση της κοπής.** Αν αλλάξει η ρύθμιση του δίσκου κατά τη διάρκεια της κοπής υπάρχει το ενδεχόμενο να σφηνώσει ή να κλωστήσει το δισκοπρίονο.

- g) **Να είστε ιδιαίτερα προσεκτικός/προσεκτική όταν κόβετε σε ήδη υπάρχοντες τοίχους ή σε άλλους μη επιβλεπόμενους τομείς.** Ο βυθίζομενος πριονόδισκος μπορεί να προσκρούσει ή να μπλοκάρει σε μη ορατά αντικείμενα και να προκαλέσει κλότσημα.

#### 1) ΛΕΙΤΟΥΡΓΙΑ ΤΟΥ ΚΑΤΩ ΠΡΟΦΥΛΑΚΤΗΡΑ

- a) **Πριν από κάθε χρήση, βεβαιωθείτε ότι κλείνει σωστά ο κάτω προφυλακτήρας.** Μη χρησιμοποιείτε το πριόνι όταν ο κάτω προφυλακτήρας δεν κινείται ελεύθερα ή όταν δεν κλείνει αμέσως. Ποτέ μη σφίγγετε ή δένετε τον κάτω προφυλακτήρα στην ανοιχτή θέση. Αν αφήσετε το δισκοπρίονο να πέσει, υπάρχει το ενδεχόμενο να έχει στραβώσει ο κάτω προφυλακτήρας. Βγάλε το φιν από την πρίζα, σηκώστε τον κάτω προφυλακτήρα με τη βοήθεια της λαβής ανύψωσης και βεβαιωθείτε ότι κινείται ελεύθερα και ότι δεν έρχεται σε επαφή με τον δίσκο ή με οποιοδήποτε άλλο εξάρτημα, σε όλες τις γωνίες και σε όλα τα βήθη κοπής.

- b) **Ελέγξτε τη λειτουργία του ελατηρίου του κάτω προφυλακτήρα. Αν ο προφυλακτήρας και το ελατήριο δεν λειτουργούν σωστά, θα πρέπει να επισκευαστούν πριν από τη χρήση.** Ο κάτω προφυλακτήρας ενδέχεται να είναι δυσκίνητος εξαιτίας ελαττωματικών εξαρτημάτων, αποθέσεων καουτσούκ ή συσσωρευτικής σκόνης.

- c) **Η ανύψωση του κάτω προφυλακτήρα με το χέρι επιτρέπεται μόνο όταν πραγματοποιούνται ειδικές κοπές, όπως για παράδειγμα διεισδυτικές ή σύνθετες κοπές. Σηκώστε τον κάτω προφυλακτήρα με τη βοήθεια της λαβής ανύψωσης και κατεβάστε τον κάτω προφυλακτήρα μόλις μπει ο δίσκος στο υλικό.** Για όλες τις άλλες εργασίες κοπής, ο κάτω προφυλακτήρας θα πρέπει να λειτουργεί αυτόματα.

- d) **Βεβαιωθείτε πάντα ότι ο κάτω προφυλακτήρας καλύπτει τον δίσκο κοπής πριν τοποθετήσετε το δισκοπρίονο στον πάγκο εργασίας ή στο δάπεδο.** Ένας απροσάλευτατος δίσκος που δεν έχει ακόμα σταματήσει να περιστρέφεται θα κάνει το δισκοπρίονο να κινείται προς τα πίσω και να κόβει οτιδήποτε συναντήσει στην πορεία του. Έχετε υπόψη σας τον χρόνο που απαιτείται για να σταματήσει ο δίσκος από τη στιγμή που αφήνετε τον διακόπτη.

#### ΣΥΜΠΛΗΡΩΜΑΤΙΚΕΣ ΥΠΟΔΕΙΞΕΙΣ ΑΣΦΑΛΕΙΑΣ

- Οι διαδικασίες ζεύξης προκαλούν σύντομες πτώσεις τάσης - υπό δυσμενείς συνθήκες δικτύου μπορεί να επηρεαστούν αρνητικά άλλες συσκευές (άν η σύνθετη αντίσταση δικτύου είναι μικρότερη από 0,468 Ohm δεν αναμένονται παρενοχλήσεις) - για οποιοδήποτε επεξηγήσεις μπορείτε να απευθυνθείτε στον τοπικό φορέα παροχής ηλεκτρικού ρεύματος

#### ΓΕΝΙΚΑ

- Αυτό το εργαλείο δεν πρέπει να χρησιμοποιείται από άτομα κάτω των 16 ετών

- Αυτό το εργαλείο δεν είναι κατάλληλο για κοπή με νερό
- **Πάντα να αποσυνδέεται την πρίζα από το ηλεκτρικό δίκτυο πριν κάνετε κάποια ρύθμιση ή αλλάξετε εξάρτημα**
- Ποτέ μην χρησιμοποιείτε το εργαλείο όταν το καλώδιο είναι φθαρμένο. Θα πρέπει να αντικατασταθεί από ειδικά προτοιμασμένο καλώδιο το οποίο υπάρχει διαθέσιμο στο δίκτυο εξυπηρέτησης.
- **Μην κατεργάζεστε υλικά που περιέχουν αμιάντο** (το αμιάντο θεωρείται σαν καρκινογόνο υλικό)
- Η σκόνη από υλικά όπως μογογιές που περιέχουν μόλυβδο, ορισμένα είδη ξύλου, ανόργανα στοιχεία και μέταλλα μπορεί να είναι επιβλαβής (η επαφή ή η εισπνοή της σκόνης μπορεί να προκαλέσει αλλεργικές αντιδράσεις ή/και αναπνευστικές ασθένειες στον χειριστή ή σε άτομα που παριστάνται) - **να φοράτε προσωπίδα προστασίας από τη σκόνη και να εργάζεστε με συσκευή αφαίρεσης σκόνης όταν είναι δυνατό**
- Ορισμένα είδη σκόνης ταξινομούνται ως καρκινογόνα (όπως η σκόνη από τη δρυ ή την ηεσία) ιδιαίτερα σε συνδυασμό με πρόσθετα συντηρητικά ξύλου - **να φοράτε προσωπίδα προστασίας από τη σκόνη και να εργάζεστε με συσκευή αφαίρεσης σκόνης όταν είναι δυνατό**
- Ακολουθήστε τις σχετικές με σκόνη εθνικές διατάξεις για τα υλικά που θέλετε να εργαστείτε
- Χρησιμοποιείτε μόνο το τραπέζι εργασίας, που διαθέτει διακόπτη που δεν επιτρέπει την επανεκκίνηση του κινητήρα από διακοπή ρευματος
- Χρησιμοποιείτε μόνο το τραπέζι εργασίας, που διαθέτει καμπύλος οδηγός

#### ΕΞΑΡΤΗΜΑΤΑ

- Η SKIL εγγυάται την τέλεια λειτουργία του εργαλείου μόνο όταν χρησιμοποιούνται αυθεντικά εξαρτήματα
- Να χρησιμοποιείτε μόνο πριονόδισκους με τα τεχνικά χαρακτηριστικά που αναφέρονται σ' αυτές τις οδηγίες χειρισμού και οι οποίοι έχουν ελεγχθεί σύμφωνα με το πρότυπο EN 847-1 και φέρουν τα αντίστοιχα χαρακτηριστικά
- Χρησιμοποιείτε μόνο εξαρτήματα των οποίων ο ύψιστος επιτρεπτός αριθμός στροφών είναι τουλάχιστον τόσο υψηλός, όσο ο ύψιστος αριθμός στροφών χωρίς φορτίο των εργαλείου
- Χρησιμοποιήστε μόνο πριονόλαμες με ελάχιστη διάμετρο 184 mm, μέγιστη διάμετρο 184 mm και οπή ατράκτου 16 mm (**5820**)
- Χρησιμοποιήστε μόνο πριονόλαμες με ελάχιστη διάμετρο 190 mm, μέγιστη διάμετρο 190 mm και οπή ατράκτου 16 mm (**5830**)
- Μην χρησιμοποιείτε ποτέ δίσκους κοπής από ταχυλάμβα (HSS)
- Με το εργαλείο ποτέ μην χρησιμοποιείτε δίσκους τροχίσματος/κοπής

#### ΠΡΙΝ ΑΠΟ ΤΗ ΧΡΗΣΗ

- Βεβαιωθείτε ότι η τάση του παρεχόμενου ρεύματος είναι ίδια με την τάση που υποδεικνύεται στην πινακίδα δεδομένων του εργαλείου
- Προφυλάξτε το εργαλείο από τυχόν φθορές από ξένα σώματα (βίδες, καρφιά ή άλλα) που ίσως είναι μέσα στο κομμάτι που θα δουλέψετε - αφαιρέστε τα πριν αρχίσετε την εργασία
- Αφαιρέστε όλα τα εμπόδια από την γραμμική κοπής, πάνω και κάτω, πριν ξεκινήσετε την κοπή
- **Στερώστε το κομμάτι εργασίας** (το κομμάτι εργασίας συγκρατείται καλύτερα με σφιγκτήρες ή σε

μέγγενη παρά με το χέρι)

- **Χρησιμοποιήστε κατάλληλες ανιχνευτικές συσκευές για να εντοπίσετε τυχόν αφανείς τροφοδοτικές γραμμές ή συμβουλευτείτε σχετικές επιχειρήσεις παροχής ενέργειας** (επαφή με ηλεκτρικές γραμμές μπορεί να οδηγήσει σε πυρκαϊά ή σε ηλεκτροπληξία - βλάβες σε αγωγούς φωταερίου (γκαζιού) μπορεί να οδηγήσουν σε έκρηξη - η διείσδυση σ' ένα σωλήνα νερού προκαλεί υλικές ζημιές ή μπορεί να προκαλέσει ηλεκτροπληξία)
- Χρησιμοποιείτε ασφαλείς, τελειώς ξετυλιγμένες προεκτάσεις καλωδίου με χωρητικότητα 16 Ampr

#### ΚΑΤΑ ΤΗ ΧΡΗΣΗ

- Η ηχητική στάθμη κατά την εργασία ενδέχεται να ξεπεράσει τα 85 dB(A) - γι' αυτό θα πρέπει να φοράτε προστασία ακοής
- Μην χρησιμοποιείτε ποτέ το εργαλείο σας χωρίς το προστατευτικό σύστημα που δίνει ο κατασκευαστής
- Μην επιχειρείτε να κόψετε αντικείμενα πολύ μικρών διαστάσεων
- Μην εργάζεστε με το εργαλείο κρατώντας το ψηλά πάνω από το κεφάλι σας
- Σε περίπτωση που το εργαλείο σας θα "κολλήσει", ή σε περίπτωση κακής ηλεκτρικής ή μηχανικής λειτουργίας, σταματήστε αμέσως το εργαλείο και βγάλτε το απο την πρίζα
- Σε περίπτωση που υποστεί βλάβη ή κοπεί το καλώδιο κατά την εργασία, μην αγγίξετε το καλώδιο, αλλά αποσυνδέστε αμέσως το φις από την πρίζα

#### ΜΕΤΑ ΤΗ ΧΡΗΣΗ

- Όταν τελειώνετε την δουλειά σας και ακουμπάτε το εργαλείο στο πλάι, κλείστε τον διακόπτη και βεβαιωθείτε ότι όλα τα κινούμενα μέρη του έχουν σταματήσει εντελώς
- Αφού κλείσετε το διακόπτη του δισκοπριόνου, ποτέ μην προσπαθήτε να σταματήσετε την περιστροφή του δίσκου κοπής εφαρμόζοντας σε αυτόν μία πλευρική δύναμη

#### ΕΠΕΞΗΓΗΣΗ ΤΩΝ ΣΥΜΒΟΛΩΝ ΣΤΟ ΕΡΓΑΛΕΙΟ

- ③ Διαβάστε το χειριρίδιο οδηγιών πριν από τη χρήση
- ④ Διπλή μόνωση (δεν απαιτείται καλώδιο γείωσης)
- ⑤ Μην πετάτε το εργαλείο στον κάδο οικιακών απορριμμάτων

#### ΧΡΗΣΗ

- Τοποθέτηση της πριονολεπίδας ②  
**! Βγάλτε το φις από την πρίζα**  
- πάρτε το κλειδί T από τη θήκη του αποθήκευσης V  
- πιέστε το κουμπί ασφάλισης της ατράκτου C και κρατήστε το πατημένο ενώ αφαιρείτε τον κοχλία του δίσκου D γυρίζοντάς τον με το κλειδί T  
**! Πιέζετε το κουμπί ασφάλισης της ατράκτου C μόνο όταν είναι σταματημένο το εργαλείο**  
- αφήστε το κουμπί ασφάλισης της ατράκτου C  
- αφαιρέστε τη φλάντζα E  
**! Βεβαιωθείτε ότι οι επιφανείες σύσφιξης H της φλάντζας είναι τελειώς καθαρές και ότι είναι στραμμένες προς τον δίσκο**  
- ανοίξτε τον κάτω προφυλακτήρα F με το μοχλό G και κρατήστε τον ενώ τοποθετήστε τον δίσκο, φροντίζοντας ώστε τα δόντια του δίσκου και το βέλος που είναι τυπωμένο στον δίσκο να δείχνουν προς την ίδια κατεύθυνση όπως το βέλος στον επάνω προφυλακτήρα

- αφήστε τον κάτω προφυλακτήρα F
- τοποθετήστε τη φλάντζα E
- πιέστε το κουμπί ασφάλισης της ατράκτου C και κρατήστε το πατημένο ενώ σφίγγετε τον κοχλία του δίσκου γυρίζοντάς τον με το κλειδί, 1/8 του κύκλου πέρα από το σημείο μέχρι το οποίο σφίγγει με το χέρι (έτσι διασφαλίζεται το γλίστρημα του δίσκου όταν αντιμετωπίζει υπέρμετρη αντίσταση, αποφεύγοντας με τον τρόπο αυτό την υπερφόρτωση του μοτέρ και το κλότσημα του πριονιού)
- αφήστε το κουμπί ασφάλισης της ατράκτου C
- Ρύθμιση του βάθους κοπής ⑥  
- για τη βέλτιστη ποιότητα κοπής, ο δίσκος κοπής δεν πρέπει να εξέχει περισσότερο από 3 χλστ. κάτω από το κομμάτι εργασίας  
- ξεσφίξτε την πεταλούδα J  
- ανασηκώστε/χαμηλώστε το πέλμα K μέχρι το επιθυμητό βάθος κοπής επιτευχθεί υπό κλίμακα χρησιμοποιώντας τον δείκτη L  
- σφίξτε την πεταλούδα J
- Ρύθμιση της γωνίας κοπής (0-50°) ⑦  
- ξεσφίξτε την πεταλούδα M  
- περιστρέψτε το εργαλείο μέχρι η επιθυμητή γωνία επιτευχθεί υπό κλίμακα χρησιμοποιώντας τον δείκτη N  
- σφίξτε την πεταλούδα M  
**! Στην πλαγιοκοπή, το βάθος κοπής δεν ανταποκρίνεται στην ένδειξη υπό κλίμακα του βάθους κοπής**
- Ελέγχος γωνίας κοπής 90° ⑧  
- ρυθμίστε και σφίξτε το πέλμα K στο μέγιστο βάθος κοπής ⑥  
- ρυθμίστε και σφίξτε τη ρύθμιση γωνίας στις 0°  
- ελέγξτε για γωνία 90° μεταξύ δίσκου και πέλματος με ένα τετράγωνο  
- αν χρειάζεται ρύθμιση, ξεσφίξτε την πεταλούδα M και χρησιμοποιήστε τη ρυθμιστική βίδα P όπως στην εικόνα
- Ρυθμιζόμενος αλεξήλιος τζαμιος για τη γραμμική κοπής Q ⑧  
- ώστε να κατευθύνεται το εργαλείο κατά μήκος της χαραγμένης γραμμής κοπής πάνω στο κομμάτι  
- για ευθεία κοπή 0° ή κλίση 45° χρησιμοποιείτε την δείκτη-γραμμή αυτή  
**! το φαρδύ μέρος του πέλματος πρέπει να εφάπτεται στο υποστηριζόμενο μέρος του κομματιού**  
- μπορεί να ρυθμιστεί για να ευθυγραμμίζεται με διάφορα πλάτη πριονόλαμας, ωστόσο ενδέχεται να συμβεί να μην ευθυγραμμίζεται η μία πλευρά της πριονόλαμας, κατόπιν επιλέξτε εάν τα υπολείμματα της κοπής θα βρίσκονται στην εσωτερική ή την εξωτερική πλευρά της λεπίδας ③  
**! το πλάτος κοπής καθορίζεται από το πλάτος των δοντιών και όχι του σώματος του δίσκου**  
**! πάντα κάνετε δοκιμαστικές κοπές για να βρείτε την πραγματική γραμμική κοπής**
- Απορρόφηση σκόνης  
- συνδέστε την ηλεκτρική σας σκούπα στην υποδοχή Y ④  
**! ποτέ μην αφήσετε τον σωλήνα της ηλεκτρικής σκούπας να εμπλακεί με τον κάτω προφυλακτήρα με τη διαδικασία κοπής**

- Χειρισμός του εργαλείου ⑨
  - συνδέστε την πρίζα με το δίκτυο ηλ. ρεύματος
  - πάντοτε κρατείστε τη λαβή R σιφχτά και σταθερά με το χέρι και τη λαβή S σιφχτά με το άλλο χέρι
  - τοποθετήστε το εργαλείο με το εμπρός μέρος του πέλματος επίπεδα επανω στο κομμάτι
  - ! **βεβαιωθείτε ότι τα δόντια δεν έχουν εμπλακεί με το κομμάτι εργασίας**
  - ξεκινάτε το εργαλείο σας πρώτα πιέσσοντας το κουμπί B (= διακόπτης ασφαλείας που δεν μπλοκάρει) και μετά πατήστε τη σκανδάλη A
  - ! **το εργαλείο πρέπει να λειτουργεί με πλήρη ταχύτητα προτού ο δίσκος κοπής εισχωρήσει το υλικό που κόβετε**
  - ο κάτω προφυλακτήρας F ανοίγει αυτομάτως όταν ο δίσκος κοπής έλθει σε επαφή με το υλικό που κόβετε (ανοίξετε τον προφυλακτήρα με το χέρι σας χρησιμοποιώντας το μοχλό G μόνο για κοπή ειδική όπως είναι η εσωτερική κοπή)
  - ! **μη ζορίζετε το εργαλείο (να ασκείτε ελαφρά αλλά συνεχή πίεση προκειμένου να αποφευχθεί υπερθέρμανση των άκρων των λεπίδων και - σε περίπτωση που κόβετε πλαστικά - λιώσιμο του πλαστικού)**
  - ! **ενώ εργάζεστε, να κρατάτε πάντα το εργαλείο από τη/τις λαβή/ές με γκρι χρώμα**
  - αφού ολοκληρώσετε την κοπή, σταματάτε το εργαλείο σας απελευθερώνοντας την σκανδάλη A
  - ! **βεβαιωθείτε ότι η λεπίδα έχει σταματήσει τελείως πριν σηκώσετε το εργαλείο από το κατεργαζόμενο αντικείμενο**

## ΟΔΗΓΙΕΣ ΕΦΑΡΜΟΓΗΣ

- Φροντίστε ώστε πάντα η "καλή" πλευρά του κομματιού εργασίας να αντικρύζει προς τα κάτω ώστε να αποφεύγεται το "ξεφτισμα"
- Χρησιμοποιείτε μόνο δίσκους κοπής που κόβουν καλά και είναι ο σωστός τύπος για τη δουλειά που κάνετε ⑩
  - ο αριθμός δοντιών που διαθέτουν όσο μεγαλύτερος ο αριθμός δοντιών βελτιωμένη ποιότητα κοπής
  - οι δίσκοι κοπής με άκρα καρβιδίου παραμένουν κοφτεροί έως και 30 φορές περισσότερο από τους συνήθεις δίσκους κοπής
- Οδηγός παράλληλης κοπής Z ⑪
  - για ακριβείς κοπές κατά μήκος του κομματιού κοπής - μπορεί να τοποθετηθεί σε κάθε πλευρά του πέλματος Ρύθμιση του οδηγού παράλληλης κοπής
  - ξεσφίξτε την πεταλούδα AA
  - ρυθμίστε το επιθυμητό πλάτος κοπής χρησιμοποιώντας την κλίμακα παράλληλης κοπής (χρησιμοποιήστε το δείκτη γραμμής κοπής Q ως σημείο αναφοράς)
  - σφίξτε την πεταλούδα AA
- Εσωτερική κοπή ⑫
  - καθορίστε το επιθυμητό βάθος κοπής
  - περιστρέψτε το εργαλείο προς τα εμπρός με τον δείκτη γραμμής κοπής Q ευθυγραμμισμένο με την επιθυμητή γραμμή κοπής χαραγμένη πάνω στο κομμάτι
  - ανοίξτε τον κάτω προφυλακτήρα F με το μοχλό G
  - μόλις ο δίσκος κοπής είναι έτοιμος να εισέλθει στο κομμάτι, ξεκινήστε το εργαλείο και σταδιακά

χαμηλώστε το πίσω μέρος του εργαλείου, χρησιμοποιώντας το μπροστινό άκρο του πέλματος σαν σταθερό σημείο

- σταδιακά χαμηλώστε το εργαλείο προς τα κάτω καθώς και προς τα εμπρός
- μόλις μπει ο δίσκος στο υλικό, αφήστε ελεύθερο το μοχλό G

! **ποτέ μην τραβήξετε το εργαλείο προς τα πίσω**

- Κοπή μεγάλων κομματιών ⑬
  - υποστηρίξτε τα κομμάτια κοπής, τοποθετώντας τα στο πάτωμα, το τραπέζι ή τον πάγκο εργασίας
  - ! **ρυθμίστε το βάθος κοπής έτσι ώστε να κόψετε το κομμάτι και όχι την υποστήριξη**
  - σε περίπτωση που ο οδηγός παράλληλης κοπής δεν επιτρέπει την κοπή επιθυμητό πλάτος, στερεώστε ή καρφώστε ένα ξύλο πάνω στο κομμάτι ως οδηγός και χρησιμοποιήστε τη δεξιά πλευρά του πέλματος σε σχέση με αυτόν τον οδηγό

## ΣΥΝΤΗΡΗΣΗ / ΣΕΡΒΙΣ

- Αυτό το εργαλείο δεν προορίζεται για επαγγελματική χρήση
- Κρατάτε πάντοτε το εργαλείο και το καλώδιο καθαρά (και ιδιαίτερα τις θυρίδες αερισμού AB)
- ! **αφαιρέστε την πρίζα πριν το καθάρισμα**
- Φροντίστε πάντα ο χώρος γύρω από τον κάτω προφυλακτήρα F ② να είναι καθαρός (αφαιρέστε τη σκόνη και τα ροκανίδια φυσώντας με πεπιεσμένο αέρα ή με ένα πινέλο)
- Καθαρίστε τον δίσκο κοπής αμέσως μετά τη χρήση (κυρίως από κόλλα ή βερνίκια)
- Αν παρ' όλες τις επμελημένους μεθόδους κατασκευής κι ελέγχου το εργαλείο σταματήσει κάποτε να λειτουργεί, τότε η επισκευή του πρέπει να ανατεθεί σ' ένα εξουσιοδοτημένο συνεργείο για η ηλεκτρικά εργαλεία της SKIL
  - στείλτε το εργαλείο **χωρίς να το αποσυρμολογήσετε** μαζί με την απόδειξη αγοράς στο κατάστημα από το οποίο το αγοράσατε ή στον πλησιέστερο σταθμό τεχνικής εξυπηρέτησης της SKIL (θα βρείτε τις διευθύνσεις και το διάγραμμα συντήρησης του εργαλείου στην ιστοσελίδα [www.skil.com](http://www.skil.com))
- Να γνωρίζετε ότι βλάβες που προκαλούνται λόγω υπερφόρτωσης ή ακατάλληλου χειρισμού του εργαλείου, δεν καλύπτονται από την εγγύηση (για τους όρους της εγγύησης της SKIL επισκεφτείτε τη διεύθυνση [www.skil.com](http://www.skil.com) ή απευθυνθείτε στον πλησιέστερο αντιπρόσωπο)

## ΠΕΡΙΒΑΛΛΟΝ

- **Μην πετάτε τα ηλεκτρικά εργαλεία, εξαρτήματα και συσκευασία στον κάδο οικιακών απορριμμάτων** (μόνο για τις χώρες της ΕΕ)
  - σύμφωνα με την ευρωπαϊκή οδηγία 2012/19/EK περί ηλεκτρικών και ηλεκτρονικών συσκευών και την ενσωμάτωσή της στο εθνικό δίκαιο, τα ηλεκτρικά εργαλεία πρέπει να συλλέγονται ξεχωριστά και να επιστρέφονται για ανακύκλωση με τρόπο φιλικό προς το περιβάλλον
  - το σύμβολο ⑤ θα σας το θυμήσει αυτό όταν έλθει η ώρα να πετάξετε τις

## ΘΟΥΡΥΒΟΣ / ΚΡΑΔΑΣΜΟΣ

- Βάσει της μέτρησης σύμφωνα με το πρότυπο EN 62841, η στάθμη ηχοπίεσης αυτού του εργαλείου είναι 97,0 dB(A) και η στάθμη ηχοπίεσης του 108,0 dB(A) (αβεβαιότητα K = 3 dB), και ο κραδασμός \* (τριαξονικό διανυσματικό άθροισμα, αβεβαιότητα K = 1,5 m/s<sup>2</sup>) \* κοπή ξύλου 4,0 m/s<sup>2</sup> \* κοπή μετάλλου 2,8 m/s<sup>2</sup>
  - Το επίπεδο παραγωγής κραδασμών έχει μετρηθεί σύμφωνα με μια τυποποιημένη δοκιμή που αναφέρεται στο πρότυπο EN 62841 - μπορεί να χρησιμοποιηθεί για τη σύγκριση ενός εργαλείου με ένα άλλο, καθώς και ως προκαταρκτική αξιολόγηση της έκθεσης στους κραδασμούς όταν το εργαλείο χρησιμοποιείται για τις εφαρμογές που αναφέρονται
    - η χρήση του εργαλείου για διαφορετικές εφαρμογές ή με διαφορετικά ή κακοσυντηρημένα εξαρτήματα μπορεί να **αυξήσει** σημαντικά το επίπεδο έκθεσης
    - όταν το εργαλείο είναι απενεργοποιημένο ή δουλεύει αλλά δεν εκτελεί την εργασία, το επίπεδο έκθεσης μπορεί να **μειωθεί** σημαντικά
- ! προσπατεύεστε από τις επιδράσεις των κραδασμών συντηρώντας σωστά το εργαλείο και τα εξαρτήματά του, διατηρώντας τα χέρια σας ζεστά και οργανώνοντας τον τρόπο εργασίας σας**

RO

## Ferăstrău circular 5820/5830

### INTRODUCERE

- Această sculă este destinată tăierilor longitudinale și transversale în lemn atât cu secțiuni drepte cât și cu secțiuni unghiulare la 50°; cu pânze de fierăstrău corespunzătoare se pot tăia, de asemenea, metale neferoase, materiale ușoare de construcții și mase plastice
- Această sculă nu este destinată utilizării profesionale
- Citiți și păstrați acest manual de instrucțiuni ③

### DATE TEHNICE ①

### ELEMENTELE SCULEI ②

- A Întrerupător trăgaci
- B Întrerupător de siguranță
- C Buton de blocare a axului
- D Șurub de disc
- E Flanșă
- F Apărătoare inferioară
- G Manetă de deschidere a apaătorii inferioare
- H Suprafață de încastrare
- J Buton pentru stabilirea adâncimii de tăiere
- K Talpă
- L Indicator al adâncimii de tăiere
- M Buton de reglare a unghiului de tăiere
- N Indicator al unghiului de tăiere
- P Șurub pentru reglarea opritorului final la 90°
- Q Vizor linie de tăiere
- R Mâner posterior
- S Mâner anterior

- T Cheie fixă de disc
- V Locaș de depozitare pentru cheia fixă de disc
- W Ieșire talaz
- Y Adaptor aspiratorul
- Z Riglă de ghidare pentru caneluri
- AA Buton de reglare a riglei de ghidare a canelării
- AB Fantele de ventilație

## SIGURANȚA

### INSTRUCȚIUNI GENERALE DE SIGURANȚĂ PENTRU SCULE ELECTRICE

**⚠ AVERTISMENT Citiți toate avertismentele, instrucțiunile, ilustrațiile și specificațiile furnizate împreună cu această sculă electrică. Neconformarea la instrucțiunile de mai jos poate produce șoc electric, incendii și/sau răniiri grave.**

### Păstrați toate avertizările și instrucțiunile în vederea consultării ulterioare.

Termenul de "sculă electrică" folosit în indicațiile de avertizare se referă la sculele electrice alimentate de la rețea (cu cablu de alimentare) și la sculele electrice cu acumulator (fără cablu de alimentare).

### 1) SIGURANȚA LA LOCUL DE MUNCĂ

- Păstrați-vă locul de muncă curat și bine iluminat.** Dezordinea la locul de muncă sau existența unor sectoare de lucru neiluminate poate duce la accidente.
- Nu folosiți mașina în medii cu pericol de explozie, acolo unde există lichide, gaze sau pulberi inflamabile.** Sculele electrice pot produce scânteii care să aprindă pulberile sau vaporii.
- Nu permiteți accesul copiilor și al altor persoane în timpul lucrului cu mașina.** Dacă vi se distrage atenția puteți pierde controlul asupra mașinii.

### 2) SECURITATE ELECTRICĂ

- Ștecherul de racordare a mașinii trebuie să se potrivească cu priza de alimentare. Nu este permisă în nici-un caz modificarea ștecherului. Nu folosiți adaptoare pentru ștechere la mașinile legate la pământ.** Ștecherele nemodificate și prizele de curent adecvate acestora reduc riscul de electrocutare.
- Evitați contactul corporal cu suprafețe legate la pământ ca țevi, radiatoare, plite electrice și frigidere.** Există un risc crescut de electrocutare atunci când corpul dv. este și el legat la pământ.
- Nu lăsați mașina afară în ploaie sau în mediu umed.** Riscul de electrocutare crește atunci când într-o sculă electrică pătrunde apă.
- Nu trageți niciodată mașina de cordonul de alimentare pentru a o transporta, a o atârna sau a scoate ștecherul din priza de curent. Feriți cordonul de alimentare de căldură, ulei, muchii ascuțite sau de subsansamble aflate în mișcare.** Un cordon de alimentare deteriorat sau înfășurat mărește riscul de electrocutare.
- Atunci când lucrați cu scula electrică în aer liber, folosiți numai cordoane prelungitoare autorizate pentru exterior.** Întrebuințarea unu cordon prelungitor adecvat utilizării în aer liber reduce riscul de

electrocutare.

- f) **Atunci când nu poate fi evitată utilizarea sculei electrice în mediu umed, folosiți un întrerupător de circuit cu împământare.** Folosirea unei întrerupător de circuit cu împământare reduce riscul de electrocutare.
- 3) SECURITATEA PERSOANELOR**
- a) **Fiți vigilenți, fiți atenți la ceea ce faceți și procedați rațional atunci când lucrați cu scula electrică. Nu folosiți mașina dacă sunteți obosiți sau vă aflați sub influența drogurilor, alcoolului sau a medicamentelor.** Un moment de neatenție în timpul lucrului cu mașina poate duce la răni grave.
- b) **Purtați echipament de protecție personală și întotdeauna ochelari de protecție.** Folosirea echipamentelor de protecție a persoanei ca mască de protecție împotriva prafului, încălțăminte antiderapantă, cască de protecție sau aparat de protecție auditivă, în funcție de tipul și domeniul de folosire al sculei electrice, reduce riscul rănilor.
- c) **Evitați o punere în funcțiune involuntară. Înainte de a introduce ștecherul în priză și/sau de a introduce acumulatorul în scula electrică, de a o ridica sau de a o transporta, asigurați vă că aceasta este oprită.** Dacă atunci când transportați scula electrică țineți degetul pe întrerupător sau dacă porniți scula electrică înainte de a o racorda la rețeaua de curent, puteți provoca accidente.
- d) **Înainte de a pune mașina în funcțiune scoateți afară cheile reglabile și fixe.** O cheie reglabilă sau fixă, aflată într-o componentă de mașină care se rotește, poate provoca răni.
- e) **Nu vă supraapreciați. Asigurați-vă o poziție stabilă și păstrați-vă întotdeauna echilibrul.** Astfel veți putea controla mai bine mașina în situații neașteptate.
- f) **Purtați îmbrăcăminte de lucru adecvată. Nu purtați haine largi sau podoabe. Feriți părul și îmbrăcăminte de piesele aflate în mișcare.** Îmbrăcăminte largă, podoabele și părul lung pot fi prinse de piesele aflate în mișcare.
- g) **Dacă există posibilitatea montării de echipamente și instalații de aspirare și colectare a prafului, asigurați-vă că acestea sunt conectate și folosite corect.** Folosirea unei instalații de aspirare a prafului poate duce la reducerea poluării cu praf.
- h) **Nu vă lăsați amăgiți de ușurința în operare dobândită în urma folosirii frecvente a sculelor electrice și nu ignorați principiile de siguranță ale acestora.** Neglijența poate provoca, într-o fracțiune de secundă, vătămări corporale grave
- 4) MANEVRAȚI ȘI FOLOSIȚI CU GRIJĂ SCULELE ELECTRICE**
- a) **Nu suprasolicitați mașina. Folosiți scula electrică destinată executării lucrării dumneavoastră.** Cu scula electrică potrivit lucrăți mai bine și mai sigur în domeniul de putere specificat.
- b) **Nu folosiți scula electrică dacă are întrerupătorul defect.** O sculă electrică, care nu mai poate fi pornită sau oprită este periculoasă și trebuie reparată.
- c) **Scoateți ștecherul afară din priză și/sau îndepărtați acumulatoru dacă este detașabil, înainte de a executa reglaje, a schimba accesorii sau a depozita scula electrică.** Această măsură preventivă reduce riscul unei porniri involuntare a mașinii.

- d) **În caz de nefolosire păstrați mașinile la loc inaccesibil copiilor. Nu permiteți persoanelor care nu sunt familiarizate cu mașina sau care n-au citit prezentele instrucțiuni, să folosească mașina.** Sculele electrice sunt periculoase atunci când sunt folosite de persoane fără experiență.
- e) **Întrețineți sculele electrice și accesoriile acestora. Controlați dacă componentele mobile funcționează corect și dacă nu se blochează, dacă nu există piese defecte sau deteriorate, care să afecteze funcționarea mașinii. Înainte de a repune în funcțiune mașina, duceți-o la un atelier de asistență service pentru repararea sau înlocuirea pieselor deteriorate.** Multe accidente s-au datorat întreținerii defectuoase a sculelor electrice.
- f) **Păstrați accesoriile bine ascuțite și curate.** Accesoriile atent întreținute, cu muchii tăietoare bine ascuțite se blochează mai greu și pot fi conduse mai ușor.
- g) **Folosiți sculele electrice, accesoriile, dispozitivele de lucru etc. conform prezentelor instrucțiuni. Țineți seama de condițiile de lucru și de lucrarea care trebuie executată.** Întrebuițarea unor scule electrice destinate altor utilizări decât cele preconizate, poate duce la situații periculoase.
- h) **Mențineți mânerul și zonele de prindere uscate, curate și ferii-le de ulei și unsoare.** Mânerul și zonele de prindere alunecoase nu permit manevrarea și controlul sigur al sculei electrice în situații neașteptate.
- 5) SERVICIU**
- a) **Permiteți repararea mașinii dumneavoastră numai de către un specialist calificat și numai cu piese de schimb originale.** În acest mod este garantată menținerea siguranței de exploatare a mașinii.

## AVERTISMENTE DE SIGURANȚA PENTRU FERĂSTRAIELE CIRCULARE

### 1) PROCES DE TĂIERE

- a) **PERICOL : Țineți mâinile departe de zona de tăiere și de pânza de ferăstrău. Cea de-a doua mână țineți-o pe mânerul suplimentar sau pe carcasa motorului.** Dacă țineți ambele mâini pe ferăstrăul circular, pânza de ferăstrău nu le poate răni.
- b) **Nu atingeți piesa de prelucrat dedesubt.** Dispozitivul de protecție nu vă poate apăra împotriva pânzei de ferăstrău în partea de jos a piesei de prelucrat.
- c) **Ajustați adâncimea de tăiere funcție de grosimea piesei pe care vreți să o prelucrați.** Maximum lungimea unui dinte al pânzei de ferăstrău vizibil în afara piesa de prelucrat.
- d) **Nu fixați niciodată piesa de lucru ce urmează a fi tăiată ținând-o în mână sau pe picior. Asigurați piesa de lucru prin fixare într-un sistem de prindere stabil.** Este important să fixați bine piesa de lucru, pentru a reduce la minimum pericolul de contact corporal, blocare a pânzei de ferăstrău sau de pierdere a controlului asupra acesteia.
- e) **Apucați mașina numai de suprafețele izolate ale mânerelor, deoarece lamele de tăiere pot atinge fire ascuse sau propriul cablu (lamele de tăiere care intră în contact cu un cablu electric aflat sub tensiune pot determina punerea sub tensiune a părților**



metalice expuse ale mașinii și pot cauza electrocutarea operatorului)

- f) **Atunci când tăiați folosiți întotdeauna o riglă de tăiere sau o riglă de precizie cu muchia de lucru lată.** Aceasta mărește acuratețea procesului de tăiere și reduce șansa de gripare a pânzei de ferăstrău.
- g) **Folosiți întotdeauna pânze de ferăstrău de dimensiuni corespunzătoare și cu orificii de prindere adecvat (de ex. în formă de stea sau rotund).** Pânzele de ferăstrău care nu se potrivesc elementelor de montaj ale ferăstrăului, se vor roti excentric și vor duce la pierderea controlului.
- h) **Nu folosiți niciodată șaibe sau șuruburi deteriorate sau nepotrivite.** Șaibele sau șuruburile pânzei au fost proiectate special pentru ferăstrăul dvs în scopul unei funcționări optime și a unei mânării plină de siguranță.

## 2) REcul - CAUZE ȘI AVERTISMENTE

### CORESPUNZĂTOARE

- Reculul este o reacție neașteptată la o pânză de ferăstrău blocată, prinsă sau centrată greșit; în cazul acesta ferăstrăul devine necontrolat, se ridică și părăsește piesa de prelucrat îndreptându-se spre operator
- Atunci când pânză ferăstrăului este blocată sau fixată foarte strâns în tăietura de închidere de jos pânză se blochează și datorită forței de reacțiune a motorului ansamblu se mișcă rapid înapoi spre operator
- În cazul în care pânză este răsucită sau centrată greșit în tăietură, dinții muchiei tăietoare din spatele pânzei se pot gripa în suprafața de deasupra a lemnului ducând la ieșirea pânzei din tăietură și mișcarea acesteia înapoi spre operator
- Un recul este consecința utilizării greșite sate defectuoase a sculei electrice. El poate fi împiedicat prin măsuri preventive adecvate, precum cele descrise în continuare.
- a) **Strângeți ferm cu ambele mâini ferăstrăul și poziționați brațele în așa fel încât să puteți rezista forțelor de recul. Poziționați corpul la ambele părți ale pânzei de ferăstrău, dar nu pe aceeași linie cu aceasta.** În caz de recul ferăstrăul poate sări înapoi, însă operatorul are posibilitatea de a stăpâni forțele de recul prin adoptarea unor măsuri preventive adecvate.
- b) **Atunci când pânză este gripată sau atunci când tăierea este întreruptă dintr-un anumit motiv, întrerupeți declanșatorul și țineți ferăstrăul imobil în material până în momentul în care pânză ferăstrăului se oprește complet. Nu încercați niciodată să îndepărtați ferăstrăul din piesa de prelucrat sau să împingeți ferăstrăul înapoi în timp ce pânză este în funcțiune sau după ce a apărut fenomenul de recul.** Investigați și interveniți într-un mod corectiv în scopul îndepărtării cauzei gripării pânzei. Evitați tăierea cuielei și șuruburilor.
- c) **În momentul în care repuneți în funcțiune un ferăstrău în piesa de prelucrat centrați pânză ferăstrăului în tăietură și verificați dacă dinții ferăstrăului nu sunt angrenați în material.** Dacă pânză ferăstrăului este gripată aceasta se va deplasa în sus sau va sări înapoi din piesa de prelucrat în momentul în care ferăstrăul este pus din nou în funcțiune.
- d) **Folosiți paneele mari în scopul minimalizării riscului de blocare a pânzei și mișcarea bruscă a acesteia**

**înapoi.** Paneele mari tind să se deformeze sub greutatea lor proprie. La ambele părți trebuie plasate suporturi sub panel, aproape de linia de tăiere și aproape de marginea panelului.

- e) **Nu folosiți o pânză tocită sau deteriorată.** Seturi de pânze neascuțite sau neadecvate produc o tăietură îngustă determinând o frecare excesivă, griparea pânzei și mișcarea bruscă înapoi.
- f) **Adâncimea pânzei și brațele de închidere ale fațetei reglabile trebuie să fie strânse și protejate înainte de a face tăietura.** Dacă reglarea pânzei se schimbă în timpul tăiatului, aceasta va cauza griparea și mișcarea bruscă înapoi a pânzei.
- g) **Fiți extrem de precauți la tăierea pereților sau a altor sectoare lipsite de vizibilitate.** Pânza de ferăstrău care intră în material se poate bloca în obiecte ascunse și provoacă un recul.

### 1) FUNCȚIONAREA DISPOZITIVULUI INFERIOR DE PROTECȚIE

- a) **Înainte de orice folosire controlați dacă dispozitivul inferior de protecție este închis corect. Nu folosiți ferăstrăul în cazul în care dispozitivul inferior de protecție nu se mișcă liber și nu se închide rapid. Nu fixați sau strângeți niciodată dispozitivul inferior de protecție în poziția deschis.** Dacă ferăstrăul cade întâmplător dispozitivul inferior de protecție va fi îndoit. Deconectați priză, ridicați dispozitivul de protecție inferior cu ajutorul manetei de repunere în funcțiune și asigurați-vă că acesta se mișcă liber și nu atinge pânză ferăstrăului sau altă parte, în toate unghiurile și adâncimile de tăiere.
- b) **Controlați funcționarea arcului dispozitivului inferior de protecție. Dacă dispozitivul de protecție și arcul nu funcționează adecvat acestea trebuie reparate înainte de a fi folosite.** Dispozitivul de protecție va funcționa necorespunzător în cazul unor părți componente deteriorate, a unor depozite lipicioase sau a creșterii reziduurilor.
- c) **Dispozitivul inferior de protecție va fi îndepărtat manual numai în cazul tăieturilor speciale, așa cum sunt tăieturile în adâncime și tăieturile compuse. Ridicați dispozitivul de protecție inferior prin tragerea manetei și de îndată ce pânză intră în material dispozitivul inferior de protecție va fi deblocat.** Pentru toate celelalte tăieturi cu ferăstrăul, dispozitivul inferior de protecție va funcționa automat.
- d) **Totdeauna controlați dacă dispozitivul inferior de protecție acoperă pânză ferăstrăului înainte ca ferăstrăul să fie plasat pe bancul de lucru sau pe planșeu.** O pânză neprotejată care merge în gol va duce la mișcarea ferăstrăului înapoi, tăind tot ceea ce se află în calea lui. Fiți conștienți de timpul necesar opririi pânzei după ce comutatorul a fost închis.

### AVERTISMENTE SUPLIMENTARE

- Șocurile de curent la anclanșare produc căderi de tensiune de scurtă durată; în caz de condiții nefavorabile în rețea pot fi afectate și alte aparate (pentru impedanțe de linie sub 0,468 Ohmi probabilitatea producerii deranjamentelor este nulă); pentru informații suplimentare vă rugăm contactați furnizorul dumneavoastră de energie electrică

## GENERALITĂȚI

- Această sculă nu trebuie să fie folosit de persoane sub 16 ani
- Această sculă nu este potrivită pentru tăiere umedă
- **Decuplați întotdeauna ștecherul de la sursa de alimentare înainte de a face o reglare sau o schimbare de accesoriu**
- Nu utilizați niciodată scula electrică atunci când cablul este deteriorat; acesta trebuie înlocuit cu un cablu special, disponibil prin intermediul organizației de service.
- **Nu prelucrați materiale care conțin azbest** (azbestul este considerat a fi cancerigen)
- Praful rezultat din materiale precum vopseala care conține plumb, unele specii de lemn, minerale și metale poate fi periculos (contactul cu praful sau inhalarea acestuia poate provoca reacții alergice și/sau afecțiuni respiratorii operatorului sau persoanelor care stau în apropiere); **purtați o mască de praf și lucrați cu un dispozitiv de extragere a prafului când poate fi conectat**
- Anumite tipuri de praf sunt clasificate ca fiind cancerigene (cum ar fi praful de stejar și fag) în special în combinație cu aditivi pentru tratarea lemnului; **purtați o mască de praf și lucrați cu un dispozitiv de extragere a prafului când poate fi conectat**
- Respectați reglementările naționale referitoare la aspirația prafului în funcție de materialele de lucru folosite
- Folosiți doar o masă de fierăstrău prevăzută cu un comutator care împiedică repornirea motorului după întreprinderea tensiunii
- Folosiți doar o masă de fierăstrău prevăzută cu un ghidajul tăieturii

## ACCESORII

- SKIL garantează funcționarea perfectă a aparatului numai dacă sunt folosite accesoriile originale
- Folosiți numai pânze de ferăstrău care corespund specificațiilor din prezentele instrucțiuni și care au fost verificate și marcate corespunzător, conform EN 847-1
- Folosiți numai accesoriile a căror turație admisă este cel puțin egală cu turația maximă la mers în gol a aparatului
- Utilizați numai pânze de ferăstrău cu un diametru minim de 184 mm, un diametru maxim de 184 mm și un orificiu pentru fus de 16 mm (**5820**)
- Utilizați numai pânze de ferăstrău cu un diametru minim de 190 mm, un diametru maxim de 190 mm și un orificiu pentru fus de 16 mm (**5830**)
- Nu utilizați niciodată pânze de ferăstrău confecționate din oțel rapid de scule (HSS)
- Nu folosiți niciodată discuri de șlefuire/tăiere cu această sculă

## ÎNAINTEA UTILIZĂRII

- Verificați întotdeauna dacă tensiunea de alimentare este aceeași cu tensiunea indicată pe plăcuța de identificare a sculei
- Evitați daunele provocate de șuruburi, țiște și alte elemente din timpul lucrului; înlăturați aceste elemente înainte de a trece la acțiune
- Îndepărtați toate obstacolele aflate deasupra precum și sub traseul de tăiere înainte de a începe tăierea
- **Securizați piesa de lucru** (o piesă de lucru fixată cu clame sau într-o menghină este ținută mult mai în siguranță decât manual)
- **Folosiți detectoare adecvate pentru depistarea conductelor și conductorilor de alimentare sau**

**apelați în acest scop la întreprinderea locală de furnizare a utilităților** (contactul cu conductorii electrici poate provoca incendii sau electrocutare; deteriorarea unei conducte de gaz poate duce la explozii; spargerea unei conducte de apă provoacă pagube materiale sau poate provoca electrocutare)

- Folosiți cabluri de prelungire derulate complet, protejate/izolate, cu o capacitate de 16 amperi

## ÎN TIMPUL FUNCȚIONĂRII

- Când este utilizat, nivelul de zgomot poate depăși 85 dB(A); este necesar să purtați echipament de protecție pentru urechi
- Nu folosiți niciodată scula fără sistemul original de protecție
- Nu încercați să tăiați piese de prelucrat extrem de mici
- Nu lucrați cu scula deasupra capului
- În caz de blocare sau de defecțiune electrică sau mecanică, deconectați imediat scula și decuplați cablul
- În cazul în care cordonul este deteriorat sau secționat în timpul lucrului, nu atingeți cordonul, dar deconectați imediat de la priză

## DUPĂ UTILIZARE

- Când puneți instrumentul la o parte, deconectați motorul și asigurați-vă că toate elementele mobile și-au oprit complet mișcarea
- După deconectarea ferastrăului circular, nu opriți niciodată rotația pânzei de fierăstrău printr-o forță laterală aplicată acesteia

## EXPLICAȚIA SIMBOLURILOR DE PE INSTRUMENT

- ③ Citiți manual de instrucțiuni înainte de utilizare
- ④ Izolație dublă (nu este necesar fir de împământare)
- ⑤ Nu aruncați instrumentul direct la pubelele de gunoi

## UTILIZAREA

- Montarea pânzei de ferăstrău ②
  - ! **deconectați priza**
  - luați cheia T din magazia V
  - apăsați butonul C de blocare a axului și mențineți butonul apăsat în timp ce îndepărtați cu cheia T șurubul al pânzei D
  - ! **apăsați butonul C de blocare a axului numai atunci când scula este în poziția de oprire**
  - lăsați liber butonul C de blocare a axului
  - îndepărtați flanșa E
  - ! **asigurați-vă că suprafețele de fixare H ale flanșelor sunt perfect curate și sunt orientate la pânză**
  - desfaceți dispozitivul de protecție inferior F cu maneta G și mențineți-l astfel, montați pânza de ferăstrău astfel încât dinții pânzei de fierăstrău și săgeata desenată pe pânza de fierăstrău să fie îndreptați în aceeași direcție cu săgeata de pe dispozitivul de protecție superior
  - lăsați liber dispozitivul de protecție inferior F
  - montați flanșa E
  - apăsați butonul C de blocare a axului și mențineți-l apăsat în timp ce strângeți șurubul pânzei cu cheia și întoarceți-l 1/8 cu mâna înapoi (asigură alunecarea pânzei de fierăstrău atunci când aceasta întâlnește o rezistență excesivă, reducând astfel suprasarcina motorului și reculul fierăstrăului)
  - lăsați liber butonul C de blocare a axului
- Reglarea adâncimii de tăiere ⑥
  - pentru o calitate optimă a tăierii pânza de ferăstrău nu trebuie nu trebuie să depășească cu mai mult de 3 mm piesa pe prelucrat

- deșurubați butonul J
- ridicati/coborâți reazemul K până la adâncimea de tăiere dorită, adâncime care poate fi setată pe o scală cu ajutorul indicatorului L
- strângeți butonul J
- Reglarea unghiului de tăiere (0-50°) ⑦
  - deșurubați butonul M
  - înclinați scula până la unghiul de tăiere dorit care este setat pe scală folosind indicatorul N
  - strângeți butonul M
- ! **la tăierea oblică, adâncimea de tăiere nu corespunde cu valoarea de pe scala adâncimii de tăiere**
- Verificarea unghiului de tăiere de 90° ⑦
  - reglați și strângeți reazemul K la adâncimea de tăiere maximă ⑥
  - reglați și strângeți unghiul de tăiere la 0°
  - verificați unghiul de 90° dintre pânză și partea inferioară a reazemului cu un sablon de unghiuri
  - dacă este necesar reglați, deșurubați butonul M și utilizați șurubul de reglaj P așa cum este ilustrat
- Vizor reglabil al liniei de tăiere Q ⑧
  - pentru ghidarea sculei de-a lungul liniei dorite de tăiere marcate pe piesa de prelucrat
  - pentru tăiere dreaptă la 0° sau oblică la 45° folosiți linia indicatoare menționată
- ! **partea lată a reazemului trebuie să se așeze pe partea sprijinită a piesei de prelucrat**
- poate fi ajustată pentru alinierea la diferite lățimi de ferăstrău, totuși este posibil ca o parte a pânzei de ferăstrău să nu se alinieze, apoi alegeți dacă materialul rezidual va fi eliminat pe partea interioară sau exterioră a pânzei ③
- ! **lățimea de tăiere este determinată de lățimea danturii pânzei și nu de lățimea corpului pânzei**
- ! **faceți întotdeauna mai întâi tăieri de test pentru verificarea liniei efective de tăiere**
- Aspirarea a prafului
  - conectați aspiratorul la extensia Y ④
  - ! **nu lăsați niciodată furtunul aspiratorului să stânjenească dispozitivul inferior de protecție sau operația de tăiere**
- Utilizarea sculei ⑨
  - cuplați ștecherul la sursa de alimentare
  - întotdeauna țineți ferm cu o mână mânerul R și manevrați ferm mânerul S cu cealaltă mână
  - așezați scula cu partea din față a reazemului direct pe piesa de prelucrat
- ! **asigurați-vă că dantura fierăstrăului nu este angajată în piesa de prelucrat**
- conectați scula apăsând prima dată butonul B (= comutator de siguranță care nu poate fi blocat) și apoi trăgând declanșatorul A
- ! **scula trebuie să funcționeze la turația completă înainte ca pânza să intre în piesa de prelucrat**
- dispozitivul inferior de protecție F se deschide automat atunci când pânza ferăstrăului intră în piesa de prelucrat (pentru tăieri speciale, cum ar fi tăieri de adâncime, deschideți manual dispozitivul inferior de protecție, folosind maneta G)
- ! **nu forțați instrumentul (aplicați presiune ușoară și continuați pentru a evita supracălzirea vârfurilor**

**pânzei și, în cazul în care se taie materiale plastice, topirea materialului)**

**! în timp ce lucrați, țineți întotdeauna scula de zonă (zonele) de prindere colorate gri**

- după încheierea tăierii deconectați scula eliberând declanșatorul A

**! asigurați-vă că pânza s-a oprit complet din mișcare înainte de a ridica scula de pe piesa de prelucrat**

## SFATURI PENTRU UTILIZARE

- Așezați întotdeauna partea bună a piesei de prelucrat în jos pentru a asigura o împrăștiere minimă a așchiilor
- Folosiți doar pânze ascuțite de tipul corect ⑩
  - calitatea tăierii se îmbunătățește cu numărul de dinți
  - pânzele placate cu carburi rămân ascuțite pe perioade de până la de 30 de ori lungi decât pânzele obișnuite
- Riglă de ghidare pentru caneluri Z ⑪
  - pentru realizarea unor tăieturi exacte de-a lungul marginii piesei de prelucrat
  - poate fi introdusă în oricare parte a reazemului
- Reglarea riglei de ghidare pentru caneluri
  - deșurubați butonul AA
  - reglați lățimea dorită de tăiere utilizând scala riglei de ghidare pentru caneluri (utilizați ca referință 0 vizor reglabil al liniei de tăiere Q)
  - strângeți butonul AA
- Tăieri în interiorul materialului ⑫
  - setați adâncimea dorită de tăiere
  - înclinați scula în față spre vizor liniei de tăiere Q aliniat cu linia dorită de tăiere marcată pe piesă de prelucrat
  - deschideți dispozitivul de protecție inferior F cu maneta G
  - chiar înainte ca pânza să intre în piesa de prelucrat, conectați scula și treptat coborâți capătul din spate al sculei folosind partea din față a reazemului ca punct de basculare
  - treptat, mișcați scula în jos și înainte
  - de îndată ce pânza intră în material, eliberați maneta G
- ! **nu trageți niciodată scula înapoi**
- Tăierea panourilor mari ⑬
  - sprijiniți panoul aproape de tăietură fie pe pardoseală, fie pe masă sau pe bancul de lucru
- ! **setați adâncimea de tăiere astfel încât să străpungeți panoul și nu suportul**
- în cazul în care rigla de ghidare pentru caneluri nu permite lățimea dorită de tăiere, fixați sau prindeți în cuie o bucată dreaptă de lemn ca ghidaj, și folosiți partea dreaptă a reazemului față de acest ghidaj

## ÎNTREȚINERE / SERVICE


- Această sculă nu este destinată utilizării profesionale
- Păstrați aparatul și cablul curat (mai ales fantele de ventilație AB)
- ! **deconectați de la priză înainte de a curăța**
- Mențineți întotdeauna curată zona din jurul dispozitivului de protecție inferior F ② (eliminați praful și așchiile prin suflare cu aer comprimat sau cu o perie)
- Curățați pânza de ferăstrău imediat după utilizare (în special de rășini și clei)
- Dacă în ciuda procedurilor de fabricație și control

riguroase scula are totuși o панă, репарацията се ва ваце нумай ла а ателер де асисентă сервисе ауторизат пентру скулите електрике SKIL

- тримитей скулата **ин тоталитатеа луй** ку бонул де цумпăрае ла дистрибуиторул сау ла централ де сервисе SKIL цел май апропиат (адресе ши диаграме де сервисе се гăсеасе ла [www.skil.com](http://www.skil.com))

- Требуие сă фиți конщенти де фактл де дегериацията даторатă супрасарциния сау утилизирии инкоректе а скулите вор фи ексCLUDE дин гаранție (пентру кондиțiile де гаранție SKIL консултай [www.skil.com](http://www.skil.com) сау интребай дистрибуиторул)

## MEDIUL

- **Ну арунцаți скулите електрике, аксесориите сау амбалаже директ ла пубеле де гунои** (нумай пентру țările дин Комунитатеа Европейă)
  - Директива Европейă 2012/19/EC фаче референце ла модул де арунцаре а ехипаментелор електрике ши електронике ши модул де апликаре а нормелор ин конформитате ку легилаția наțională; скулите електрике ин моментул ин care а атинс ун град авансат де узурă ши требуиес арунцате, еле требуиес колецате separat ши рециклате инт-ун мод де респектă нормеле де протекție а медиулул инконjurăтор
  - символул  вă ва реаминти ацест lucru

## ZGOMOT / VIBRAȚII


- Мăсурате ин конформитате ку EN 62841, нивелул де presiune sonoră а ацестуй инструмент есте 97,0 dB(A) ши нивелул де zgomot 108,0 dB(A) (инcertitudinea K = 3 dB) ши вибраția \* (сума vectorială triaxială; инcertitudinea K = 1,5 m/s<sup>2</sup>)
  - \* тăierea lemnului 4,0 m/s<sup>2</sup>
  - \* тăierea metalului 2,8 m/s<sup>2</sup>
- Нивелул емисиелор де вибраții а fost мăсурат ин конформитате ку ун test standardizat precizat ин EN 62841; poate fi folosit пентру а compara о sculă ку алта ши ca evaluare preliminară а expunerii ла vibrații атунци când folosii скулата пентру апликаțiile менționате
  - утилизиере скулите пентру апликаții дигерите сау ку аксесорий дигерите ши prost интрегинуте poate **crește** semnificativ нивелул де expunere
  - моментеле ин care скулата есте опрită сау când funcționează dar nu execută ничио lucrare, pot **reduce** semnificativ нивелул де expunere
- ! **протейаți-вă импотрива ефектелор вибраțiilor prin интрегинереа скулите ши а аксесорийор sale, пăстрăнд мăиниле calde ши организăнд процеселе де lucru**

BG

Ръчен циркуляр

5820/5830

## УВОД

- Този инструмент е предназначен за надлъжно и напречно рязане на дърво с право рязане, а също и с рязане под ъгъл 50°; с подходящи режещи дискове могат да се режат и цветни метали, леки строителни материали и пластмаса
- Този инструмент не е предназначен за професионална употреба
- Прочетете и пазете това ръководство за работа 


## ТЕХНИЧЕСКИ ДАННИ

### ЕЛЕМЕНТИ НА ИНСТРУМЕНТА

- A Спусъков включвател
- B Предпазен изключвател
- C Бутон за заключване на шпиндела
- D Болт за острието
- E Фланец
- F Долен предпазител
- G Лост за отваряне на долния предпазител
- H Повърхност за затягане
- J Копче за задаване на дълбочина на рязане
- K Опорна планка
- L Индикатор за дълбочина на рязане
- M Копче за регулиране ъгъла на рязане
- N Индикатор за ъгъла на рязане
- P Винт за регулиране на краен ограничител на 90°
- Q Визьор указващ линията на рязане
- R Задна ръчка
- S Предна ръчка
- T Гаечен ключ за острието
- V Място за съхранение за гаечен ключ за острие
- W Извод за стърготини
- Y Адаптер за прахосмукачка
- Z Предпазител против разкъсване
- AA Бутон за регулиране на направляващата планка
- AB Вентилационните отвори

## БЕЗОПАСНОСТ

### ОБЩИ УКАЗАНИЯ ЗА БЕЗОПАСНА РАБОТА С ЕЛЕКТРОИНСТРУМЕНТИ

 **ПРЕДУПРЕЖДЕНИЕ** Прочете всички предупреждения за безопасност, инструкции, илюстрации и спецификации, доставени с този електроинструмент. Неспазването на всички описани по-долу инструкции може да доведе до токов удар, пожар и/или тежко нараняване.

**Запазете всички предупреждения и указания за ползване в бъдеще.**

Използваният по-долу термин "електроинструмент" се отнася до захранвани от електрическата мрежа електроинструменти (със захранващ кабел) и до захранвани от акумулаторна батерия електроинструменти (без захранващ кабел).

### 1) БЕЗОПАСНОСТ НА РАБОТНОТО МЯСТО

- Поддържайте работното си място чисто и подредено.** Безпорядъкът или недостатъчното осветление могат да спомогнат за възникването на трудова злополука.
- Не работете с електроинструмента в среда с повишена опасност от възникване на експлозия, в близост до леснозапалими течности, газове или прахообразни материали.** По време на работа в електроинструментите се отделят искри, които могат да възпламенят прахообразни материали или пари.
- Дръжте деца и странични лица на**

безопасно разстояние, докато работите с електроинструмента. Ако вниманието Ви бъде отклонено, може да загубите контрола над електроинструмента.

## 2) БЕЗОПАСНОСТ ПРИ РАБОТА С ЕЛЕКТРИЧЕСКИ ТОК

- a) Щепселът на електроинструмента трябва да е подходящ за ползвания контакт. В никакъв случай не се допуска изменение на конструкцията на щепсела. Когато работите със занулени елентроуреди, не използвайте адаптери за щепсела. Ползването на оригинални щепсели и контакти намалява риска от възникване на токов удар.
- b) Избягвайте допира на тялото Ви до заземени тела, напр. тръби, отоплителни уреди, пещи и хладилници. Когато тялото Ви е заземено, рискът от възникване на токов удар е по-голям.
- c) Предпазвайте електроинструмента си от дъжд и влага. Проникването на вода в електроинструмента повишава опасността от токов удар.
- d) Не използвайте захранващия кабел за цели, за които той не е предвиден, напр. за да носите електроинструмента за кабела или да извадите щепсела от контакта. Предпазвайте кабела от нагриване, омасляване, допир до остри ръбове или до подвижни звена на машини. Повредени или усукани кабели увеличават риска от възникване на токов удар.
- e) Когато работите с елентроинструмент навън, използвайте само удължителни кабели, предназначени за работа на открито. Използването на удължител, предназначен за работа на открито, намалява риска от възникване на токов удар.
- f) Ако се налага използването на електроинструмента във влажна среда, използвайте предпазен прекъсвач за утечни токове. Използването на предпазен прекъсвач за утечни токове намалява опасността от възникване на токов удар.

## 3) БЕЗОПАСЕН НАЧИН НА РАБОТА

- a) Бъдете концентрирани, следете внимателно действията си и постъпвайте предпазливо и разумно. Не използвайте електроинструмента, когато сте уморени или под влиянието на наркотични вещества, алкохол или упойващи лекарства. Един миг разсеяност при работа с електроинструмент може да има за последствие изключително тежки наранявания.
- b) Работете с предпазващо работно облекло и винаги с предпазни очила. Носенето на подходящи за ползвания електроинструмент и извършваната дейност лични предпазни средства, като дихателна маска, здрави плътнотатворени обувки със стабилен грайфер, защитна каска или шумозаглушители (антифони), намалява риска от възникване на трудова злополука.
- c) Избягвайте опасността от включване на електроинструмента по невнимание. Преди да включите щепсела в захранващата мрежа или да поставите акумулаторна батерия, се уверявайте, че пусковият прекъсвач е в

положение изключено. Ако, когато носите електроинструмента, държите пръста си върху пусковия прекъсвач, или ако подавате захранващо напрежение на електроинструмента, когато е включен, съществува опасност от възникване на трудова злополука.

- d) Преди да включите електроинструмента, се уверявайте, че сте отстранили от него всички помощни инструменти и гаечни ключове. Помощен инструмент, забравен на въртящо се звено, може да причини травми.
  - e) Не надценявайте възможностите си. Работете в стабилно положение на тялото и във всеки момент поддържайте равновесие. Така ще можете да контролирате електроинструмента по-добре и по-безопасно, ако възникне неочаквана ситуация.
  - f) Работете с подходящо облекло. Не работете с широките дрехи или украшения. Дръжте косата и дрехите си на безопасно разстояние от двиещи се звена. Широките дрехи, украшенията, дългите коси могат да бъдат захванати и увлечени от въртящи се звена.
  - g) Ако е възможно използването на външна аспирационна система, се уверявайте, че тя е включена и функционира изправно. Използването на аспирационна система намалява рисковете, дължащи се на отделящата се при работа прах.
  - h) Доброто познаване на електроинструмента вследствие на честа работа с него не е повод за намаляване на вниманието и пренебрегване на мерките за безопасност. Едно невнимателно действие може да предизвика тежки наранявания само за части от секундата.
- ## 4) ВНИМАТЕЛНО ОТНОШЕНИЕ НЪМ ЕЛЕКТРОИНСТРУМЕНТИ
- a) Не претоварвайте електроинструмента. Използвайте електроинструментите само съобразно тяхното предназначение. Ще работите по-добре и по-безопасно, когато използвате подходящия електроинструмент в зададения от производителя диапазон на натоварване.
  - b) Не използвайте електроинструмент, чиито пусков прекъсвач е повреден. Електроинструмент, който не може да бъде изключван и включван по предвидения от производителя начин, е опасен и трябва да бъде ремонтиран.
  - c) Преди да извършвате каквито и да е дейности по електроинструмента, напр. настройване, смяна на работен инструмент, както и когато го прибирате, изключвайте щепсела от контакта, респ. изваждайте батерията, ако е възможно. Тази мярка премахва опасността от задействане на електроинструмента по невнимание.
  - d) Съхранявайте електроинструментите на места, където не могат да бъдат достигнати от деца. Не допускайте те да бъдат използвани от лица, които не са запознати с начина на работа с тях и не са прочели тези инструкции. Когато са в ръцете на неопитни потребители, електроинструментите могат да бъдат изключително опасни.
  - e) Поддържайте добре електроинструментите си и аксесоарите им. Проверявайте дали подвижните

- звена функционират безукорно, дали не заклинват, дали има счупени или повредени детайли, които нарушават или изменят функциите на електроинструмента. Преди да използвате електроинструмента, се погрижете повредените детайли да бъдат ремонтирани. Много от трудовете злополуки се дължат на недобре поддържани електроинструменти и уреди.
- f) **Поддържайте режещите инструменти винаги добре заточени и чисти.** Добре поддържаните режещи инструменти с остри ръбове оказват по-малко съпротивление и се водят по-леко.
- g) **Използвайте електроинструментите, допълнителните приспособления, работните инструменти и т.н., съобразно инструкциите на производителя. С дейности и процедури, евентуално предписани от различни нормативни документи.** Използването на електроинструменти за различни от предвидените от производителя приложения повишава опасността от възникване на трудови злополуки.
- h) **Поддържайте дръжките и ръкохватките сухи, чисти и неомаслени.** Хлъзгавите дръжки и ръкохватки не позволяват безопасна работа и доброто контролиране на електроинструмента при възникване на неочаквана ситуация.
- 5) **ПОДДЪРЖАНЕ**
- a) **Допускате ремонтът на електроинструментите Ви да се извършва само от квалифицирани специалисти и само с използването на оригинални резервни части.** По този начин се гарантира съхраняване на безопасността на електроинструмента.

## УКАЗАНИЯ ЗА БЕЗОПАСНА РАБОТА С ЦИРКУЛЯРИ

### 1) ТЕХНИКА НА РЯЗАНЕ

- a) **ОПАСНОСТ : Дръжте ръцете си на разстояние от зоната на рязане и от циркулярния диск.** С втората си ръка дръжте спомагателната ръкохватка или корпуса на електродвигателя. Когато държите циркуляра с двете си ръце, няма опасност да ги нараните с режещия диск.
- b) **Не посягайте с ръце под обработвания детайл.** Предпазителят не може да ви защити от режещия диск под обработвания детайл.
- c) **Регулирайте дълбочината на рязане според дебелината на материала.** Оставете цял зъб да се показва от долната страна на материала.
- d) **Никога не дръжте разрязвания детайл на ръка или притиснат към крака си. Осигурявайте детайла, като го захващате в стабилно приспособление.** За да ограничите опасността от влизане в съприкосновение с тялото, заклиняване на режещия диск или загуба на контрол над електроинструмента, е важно да застопорите обработвания детайл добре.
- e) **Дръжте инструмента за изолираните повърхности на ръкохватката, понеже режещите остриета могат да опрат в скрити кабели или неговия захранващ кабел** (ако режещите остриета допрат кабел под напрежение, може да

- проведат напрежение в откритите метални части на инструмента и да причинят токов удар на оператора)
- f) **При надлъжно рязане винаги използвайте предпазителят против разкъсване или водач с прав ръб.** Това подобрява точността на рязане и понижава опасността от заклиняване на режещия диск.
- g) **Използвайте винаги режещи дискове с правилна големина и подходящ отвор (напр. звездообразен или кръгъл).** Режещи дискове, които не пасват точно на монтажните елементи на циркулярната машина, имат биене по време на работа и водят до загуба на контрол над електроинструмента.
- h) **Никога не използвайте повредени или изкривени шайби или болтове за прикрепване на режещия диск.** Шайбите и болта за прикрепване на диска са специално проектирани за този инструмент с цел максимално добра работа и безопасност.

### 2) ОБРАТНИ УДАРИ - ПРИЧИНИ ЗА ВЪЗНИКВАНЕ И МЕРКИ ЗА ПРЕДОТВРЯВАНЕ

- Обратният удар е внезапна реакция в резултат на затегнал, притиснат, заклинен или разцентрован режещ диск, предизвикваща неконтролируемо повдигане на инструмента над обработвания детайл и отскачането му в посока към оператора
  - Когато дискът е затегнал или заклинен поради стесняване на прореза, дискът блокира поради загуба на скорост и реакцията на мотора изтласква инструмента назад към оператора
  - Ако дискът се изкриви и разцентрова по време на рязане, зъбът от задната страна на диска може да се забие в горната повърхност на дървото, което предизвиква излизане на диска от прореза и отскачане назад към оператора
  - Откат възниква в резултат на неправилно или погрешно използване на електроинструмента. Възникването му може да бъде предотвратено чрез спазването на подходящи предпазни мерки, както е описано по-долу.
- a) **Дръжте здраво инструмента с две ръце и заемете такова положение, което да ви осигури устойчивост спрямо силите на обратния удар, застанете така, че тялото ви да бъде от едната страна на режещия диск, но не и в една линия с него.** При обратен удар инструмента може да отскочи назад, но това може да се овладее, ако се вземат необходимите предпазни мерки.
- b) **При появата на признаци на заклиняване на диска или при прекъсване на работа по някаква причина освободете спусъка и задръжте инструмента неподвижен в материала до пълно спиране на въртенето на режещия диск. Не се опитвайте да извадите режещия диск от обработвания материал или да издърпате инструмента назад, докато дискът е в движение – това може да предизвика обратен удар.** Проверете и отстранете причините за заклиняване на диска. Избягвайте да режете гвоздеи или винтове.
- c) **При рестартиране на инструмента в обработвания материал центрирайте режещия диск в прореза и проверете дали зъбите на**

диска не са захванали материала. При заклнване на диска той може рязко да излезе от материала при рестартиране на инструмента.

- d) **Подпирайте широките плоскости, за да избегнете риска от затягане и обратен удар на режещия диск.** Големите плоскости обикновено провисват под въздействието на собствената си тежест. От двете им страни се поставят подпори близо до линията на рязане и близо до ръба на плоскостта.
  - e) **Не използвайте затъпен или повреден режещ диск.** Незаточените или неправилно поставени дискове правят тесни прорези, което предизвиква прекомерно триене, заклнване на диска и обратни удари.
  - f) **Лостовите за регулиране на дълбочината и ъгъла на рязане следва да са здраво затегнати преди започване на работа.** Ако регулировката на диска се промени по време на рязане, това може да предизвика заклнване и обратен удар.
  - g) **Бъдете особено предпазливи при рязане в съществуващи стени или други елементи, под чиято повърхност може да има скрити чужди тела.** Врязващият се циркулярен диск може да попадне на скрит обект, да блъкне и да предизвика обратен удар.
- 1) ФУНКЦИЯ НА ДОЛНИЯ ПРЕДПАЗЕН КОЖУХ**
- a) **Преди работа проверявайте дали долният предпазител е добре затворен. Не работете с инструмента ако долният предпазител не се движи свободно и не се затваря веднага. Никога не фиксирайте и не заклнвайте долния предпазител в отворено положение.** Ако инструментът случайно падне, долният предпазител може да се изкриви. Изключете щепсела, вдигнете долния предпазител с помощта на прибиращата дръжка и се уверете, че се движи свободно и не се допира до режещия диск или до други части при всички ъгли и дълбочини на рязане.
  - b) **Проверете действието на пружината на долния предпазител. Ако предпазителят или пружината не работят както трябва, причината за това трябва да се отстрани преди употреба.** Долният предпазител може да работи трудно поради повредени части, замърсяване или натрупване на отпадък.
  - c) **Долният предпазител се прибира ръчно само при специални видове рязане, като обработка с връзване и сложно рязане. Вдигнете долния предпазител чрез прибиращата дръжка и веднага щом режещия диск навлезе в материала, освободете долния предпазител.** При всички останали видове рязане долният предпазител работи автоматично.
  - d) **Винаги проверявайте дали долният предпазител покрива режещия диск, преди да оставите инструмента на работната маса или на пода.** Въртящият се по инерция незащитен диск предизвиква движение на инструмента назад, като при това свое движение прерязва всичко по пътя си. Съобразявайте се с времето, необходимо за окончателно спиране въртенето на диска след изключване.

## ДОПЪЛНИТЕЛНИ УКАЗАНИЯ ЗА БЕЗОПАСНА РАБОТА

- При включване на мощни електроуреди е възможно възникването на кратковременни колебания на напрежението в захранващата мрежа; при съвпадение на неблагоприятни обстоятелства е възможно увреждане на други включени в мрежата уреди (при импеданс на захранващата мрежа, по-малък от 0,468 Ω смущенията са пренебрежимо малки); ако се нуждаете от допълнителни разяснения, моля обърнете се към Вашия локален специалист от Електроснабдяване

### ОБЩИ

- Машината не трябва да се използва от лица под 16 години
- Този инструмент не е подходящ за мокро рязане
- **Преди извършването на какъвто и да било настройка или смяна на принадлежност винаги изваждайте щепсела от контакта на електрозахранването**
- Никога не използвайте инструмента, ако кабелът е повреден; той трябва да бъде заменен със специално подготвен кабел, наличен през сервизната организация.
- **Не обработвайте азбестосъдържащ материал** (азбестът е канцерогенен)
- Прахът от някои материали, като например съдържаща олово боя, някои видове дървесина, минерали и метали може да бъде вреден (контакт или вдихване на такъв прах могат да причинят алергични реакции и/или респираторни заболявания на оператора или стоящите наблизо лица); **използвайте противопрохова маска и работете с аспириращо прахта устройство, когато такова може да бъде свързано**
- Определени видове прах са класифицирани като карциногенни (като прах от дъб и бук) особено когато са комбинирани с добавки за подобряване на състоянието на дървесината; **използвайте противопрохова маска и работете с аспириращо прахта устройство, когато такова може да бъде свързано**
- Следвайте дефинираните по БДС изисквания относно запрашеността за материалите, които желаете да обработвате
- Използвайте само маса за рязане, снабдена с ключ, който не позволява повторен пуск на двигателя след прекъсване на напрежението
- Използвайте само маса за рязане, снабдена с водач на прореза

### АНКСЕСОАРИ

- SKIL може да осигури безаварийна работа на електроинструмента само ако се използват оригинални допълнителни приспособления
- Използвайте само циркулярни дискове, които съответстват на посочените в това ръководство за експлоатация данни и са изпитани по EN 847-1 и обозначени по съответния начин.
- Използвайте само принадлежности, чиято допустима скорост на въртене е по-голяма или равна на максималната скорост на въртене на празен ход на електроинструмента
- Използвайте само режещи дискове с диаметър от 184 мм, максимален диаметър от 184 мм и отвор на шпиндела от 16 мм (5820)

- Използвайте само режещи дискове с диаметър от 190 мм, максимален диаметър от 190 мм и отвор на шпиндела от 16 мм (5830)
- Никога не използвайте режещи дискове, изработени от бързорежеща стомана (HSS)
- С този инструмент никога не използвайте шлифовачи/режещи дискове

#### ПРЕДИ УПОТРЕБА

- Преди включване на инструмента в контакта се уверете, че мрежовото напрежение отговаря на напрежението, обозначено на фирмената табелка на инструмента
- Избягвайте повреди, които могат да бъдат причинени от винтове, гвоздеи и други метални елементи в обработвания детайл; отстранете ги преди да започнете работата
- Премахнете всички препятствия върху повърхността, а също и под пътя на рязане, преди да започнете рязането
- **Обезопасете работния материал** (материал, затегнат в затягащ инструмент или в менгеме е по-устойчив, отколкото ако се държи в ръка)
- **За да откриете скрити под повърхността елентро-, водо- и газопроводи, използвайте подходящи уреди или се обърнете към местното снабдително дружество** (прекъсването на електропроводници под напрежение може да предизвика пожар и/или токов удар; увреждането на газопровод може да предизвика експлозия; засягането на водопровод може да предизвика значителни материални щети и/или токов удар)
- Използвайте напълно развити и обезопасени разклонители с капацитет 16 A

#### ПРИ УПОТРЕБА

- При работа нивото на шума може да надвиши 85 dB(A); носете антифони
- Не използвайте никога инструмента без оригиналната му предпазна система
- Не правете опити да режете извънредно малки детайли
- Не работете с инструмента над глава
- В случай на заяждане или електрическа или механична неизправност незабавно изключете инструмента и извадете щепсела от контакта
- Ако кабелът се повреди ил среже по време на работа, не го докосвайте, веднага изключете щепсела, никога не използвайте инструмента с повреден кабел

#### СЛЕД РАБОТА

- Преди да приберете инструмента, изключете мотора и се уверете, че всички движещи се части са преустановили движението
- След изключване на циркуляра никога не спирайте въртенето на диска чрез прилагане на странична сила върху него

#### ОБЪСНЕНИЕ НА СИМВОЛИТЕ ПО ИНСТРУМЕНТА

- ③ Преди употреба прочетете ръководството с указания
- ④ Двойна изолация (не се изисква кабел за заземяване)
- ⑤ Не извърляйте инструмента заедно с битови отпадъци

#### УПОТРЕБА

- Поставяне на режещия острие ②  
**! изключете щепсела**

- вземете ключ Т от комплекта V
- натиснете блокиращия въртенето бутон С и го задържете, за да извадите болта на диска D, като го отвиете в посока на часовниковата стрелка с ключ Т

**! натиснете блокиращия въртенето бутон С само когато инструментът е напълно спрял**

- освободете блокиращия въртенето бутон С
- извадете фланеца Е

**! проверете дали затягащите повърхности Н на фланцата са съвършено чисти и с лице към диска**

- отворете долния предпазител F с лостчето G и го задържете, докато поставите режещия диск, така че режещите зъбци и стрелката върху диска да сочат в същата посока, както и стрелката върху горния предпазител

- освободете долния предпазител F
- поставете фланеца Е

- натиснете блокиращия въртенето бутон С и задържете, докато затегнете болта на диска в посока с ключ, 1/8 оборота след позицията на ръчно затягане (позволява приплъзване на режещия диск при голямо съпротивление, което намалява претоварването на мотора и силата на обратния удар)

- освободете блокиращия въртенето бутон С

- Регулиране на дълбочината на рязане ⑥
  - за рязане с оптимално качество режещият диск не трябва да се издава на повече от 3 mm отдолу на обработвания детайл
  - разхлабете копчето J
  - повдигнете/свалете опората K, докато на скалата бъде нагласен дълбочина на рязане, като използвате индикатора L
  - затегнете копчето J

- Регулиране на ъгъла на рязане (0-50°) ⑦

- разхлабете копчето M
- наклонете инструмента, докато на скалата бъде нагласен ъгълът на рязане, като използвате индикатора N
- затегнете копчето M

**! при рязане на скосявания, дълбочината на рязане не съответства на стойността на скалата за дълбочина на рязане**

- Проверка на ъгъл на рязане 90° ⑦
  - настройте и затегнете опората K до максимална дълбочина на рязане ⑥
  - настройте и затегнете ъгъла на рязане на 0∞
  - проверете наличието на 90∞ ъгъл между режещия диск и долната част на опората с ъгълник
  - ако е необходимо регулиране, разхлабете копчето M и използвайте регулиращия винт P както е показано

- Регулираем маркер на линията на среза Q ⑧

- за водене на инструмента по желаната линия на рязане, отбелязана върху детайла
- за право рязане под ъгъл 0° или рязане на скосявания под ъгъл 45° използвайте съответната индикаторна линия

**! широката част на опората трябва да легне върху поддържаната страна на обработвания детайл**



- може да се регулира да се изравнява с различни широчини на режещи дискове, но може да се окаже, че едната страна на режещия диск не се изравнява, тогава изберете дали отпадъчният материал да е от вътрешната, или от външната страна на диска ⑧

**! ширината на рязане се определя от ширината на зъбите на диска, а не от ширината на тялото на диска**

**! винаги първо извършвайте пробни рязания, за да проверите действителната линия на рязане**

• Изсмукване на праха

- включете прахосмукачката към щуцера Y ⑨

**! внимавайте тръбата на прахосмукачката да не пречи на долния предпазител или на операцията на рязане**

• Работа с инструмента ⑩

- включете щепсела в контакта на електрозахранването

- винаги дръжте дръжката R здраво с една ръка, а дръжката S здраво с другата ръка

- поставете инструмента с предната част на опората плътно върху обработвания детайл

**! уверете се, че зъбите на циркуляра не са опрени в обработвания детайл**

- включете инструмента, като първо натиснете копчето B (= защитен превключвател, който не може да се блокира) а след това дръпнете спусъка A

**! преди режещият диск да влезе в детайла, инструментът трябва да работи на пълна скорост**

- долният предпазител F се отваря автоматично, когато режещият диск влезе в обработвания детайл (отворете долния предпазител с лостчето G само за специални рязания, например рязане на вътрешни прорези)

**! не насилвайте инструмента (приложете лек и непрекъснат натиск, за да не прегреят върховете на режещите острия и в случай, че се реже пластмаса – да не се топи материалът)**

**! по време на работа, винаги дръжте уреда за оцветената(ите) в сиво зона(и) за хващане**

- след завършване на рязането, изключете инструмента чрез освобождаване на спусъка A

**! преди да вдигнете инструмента от детайла се уверете, че режещият диск е в пълн покой**

## УКАЗАНИЯ ЗА РАБОТА

• Винаги обръщайте добрата страна на обработвания детайл надолу, за да осигурите минимално отцепване на трески

• Използвайте само остри режещи дискове от подходящ тип ⑩

- качеството на рязане се подобрява при по-голям брой на зъбите

- режещи дискове с карбиден връх остават остри до 30 пъти по-дълго време от обикновените режещи дискове

• Предпазител против разкъсване Z ⑪

- за извършване на точни рязания по продължение на ръба на детайла

- може да се поставя и на двете страни на опората  
Настройка на предпазителя против разкъсване

- разхлабете копчето AA

- регулирайте до желаната ширина на рязане, като използвате скалата на предпазителя против разкъсване (използвайте линията на среза Q като 0-еталон)

- затегнете копчето AA

• Рязане на вътрешни прорези ⑫

- задайте желаната дълбочина на рязане

- наклонете инструмента към линията на среза Q подравнен с желаната линия за рязане, маркирана на обработвания продукт

- отворете долния предпазител F с лостчето G

- точно преди режещият диск да влезе в обработвания детайл, включете инструмента и постепенно наведете задния край на инструмента, като използвате предния край на опората като точка на въртене

- постепенно преместете инструмента надолу, а също и напред

- веднага щом режещият диск навлезе в материала, освободете лостчето G

**! никога не дърпайте инструмента назад**

• Рязане на големи табла ⑬

- поставете таблото на стойка близо до мястото на рязане или на пода, масата или тезгяха

**! настройте дълбочината на рязане така, че да режете през таблото, а не през стойката**

- в случай, че предпазителът против разкъсване не позволява желаната ширина на рязане, стегнете или приковете право парче дърво към обработвания детайл като водач и използвайте дясната страна на опората срещу този водач

## ПОДДРЪЖКА / СЕРВИЗ

• Този инструмент не е предназначен за професионална употреба

• Поддържайте винаги електроинструмента и защитната кабел чисти (особено вентилационните отвори AB)

**! преди почистване изключете щепсела**

• Винаги поддържайте чиста зоната около долния предпазител F ⑫ (отстранете чрез обдухване със съгъстен въздух или с четка праха и стърготините)


• Почиствайте режещия диск непосредствено след употреба (особено от смола и лепило)

• Ако въпреки прецизното производство и внимателно изпитване възникне повреда, инструмента да се занесе за ремонт в оторизиран сервиз за електроинструменти на SKIL

- занесете инструмента **в неразглобен вид** заедно с доказателство за покупката му в търговския обект, откъдето сте го закупили, или в най-близкия сервиз на SKIL (адресите, както и схемата за сервизно обслужване на електроинструмента, можете да намерите на адрес [www.skil.com](http://www.skil.com))

• Имайте предвид, че повреда поради претоварване или неправилно манипулиране с инструмента ще бъдат изключени от гаранцията (за условията на гаранцията от SKIL виж на интернет адрес: [www.skil.com](http://www.skil.com) или попитайте вашия дилър)

## ОПАЗВАНЕ НА ОКОЛНАТА СРЕДА

- **Не извърляйте електроуредите, приспособленията и опаковките заедно с битови отпадъци** (само за страни от ЕС)
  - съобразно Директивата на ЕС 2012/19/EG относно износени електрически и електронни уреди и отразяването ѝ в националното законодателство износените електроуреди следва да се събират отделно и да се предават за рециклиране според изискванията за опазване на околната среда
  - за това указва символът  тогава когато трябва да бъдат унищожени


## ШУМ / ВИБРАЦИИ

- Измерено в съответствие с EN 62841, нивото на звуковото налягане на този инструмент е 97,0 dB(A), а нивото на звуковата мощност 108,0 dB(A) (неопределеност K = 3 dB), и вибрацията \* (триаксиална векторна сума; неопределеност K = 1,5 m/s<sup>2</sup>)
    - \* рязане на дърво 4,0 m/s<sup>2</sup>
    - \* рязане на метал 2,8 m/s<sup>2</sup>
  - Нивото на предадените вибрации е измерено в съответствие със стандартизирания тест, определен в EN 62841; то може да се използва за сравнение на един инструмент с друг и като предварителна оценка на подлагането на вибрации при използването на инструмента за посочените приложения
    - използването на инструмента за различни от тези приложения или с други, или лошо поддържани аксесоари може значително **да повиши** нивото на което сте подложени
    - периодите от време, когато инструмента е изключен или съответно включен, но с него не се работи в момента могат значително **да намалят** нивото на което сте подложени
- ! предпазвайте се от ефектите от вибрациите, като поддържате инструмента и аксесоарите му, пазите ръцете си топли и организирате вашите модели на работа**

SK

## Okružná píla 5820/5830

### ÚVOD

- Toto náradie je určené pre pozdĺžne a priečne rezanie dreva priamymi rezmi a tiež rezmi pod uhlami do 50°; s príslušným rezacím kotúčom je možné rezatať neželezné kovy, ľahké stavebné materiály a plasty
- Tento nástroj nie je vhodný pre profesionálne použitie
- Prečítajte a uschovajte tento návod na použitie 

## TECHNICKÉ ÚDAJE

### ČASTI NÁSTROJA

- A Prepínač
- B Bezpečnostný spínač
- C Gombík na uzamknutie vretena
- D Skrutka
- E Prstenec

- F Spodný ochranný kryt
- G Páčka pre otvorenie spodného ochranného krytu
- H Upínacia plocha
- J Kolieska na nastavenie hĺbky pílenia
- K Základná platňa
- L Indikátor hĺbky rezu
- M Gombík pre nastavenie uhla rezania
- N Indikátor uhlu rezania
- P Skrutka na nastavenie 90° zarážky
- Q Ryska rezu
- R Zadná rukoväť
- S Predná rukoväť
- T Kľúč
- V Úložné miesto pre kľúč čepele
- W Výstup na hobliny
- Y Adaptér na vysávač
- Z Vodičko pre pozdĺžne rezanie
- AA Gombík pre nastavenie pozdĺžneho rezania
- AB Vetracie štrbiny

## BEZPEČNOSŤ

### VŠEOBECNÉ BEZPEČNOSTNÉ UPOZORNENIA TÝKAJÚCE SA ELEKTRICKÉHO NÁRADIA

 **VÝSTRAHA** Prečítajte si všetky bezpečnostné výstrahy, pokyny, ilustrácie a technické údaje, ktoré sú dodané s týmto elektrickým nástrojom. Nedodržanie všetkých nižšie uvedených pokynov môže viesť k poraneniu elektrickým prúdom, požiaru a/alebo vážnemu poraneniu.

**Všetky upozornenia a pokyny si odložte na ďalšie použitie.**

Pojem „elektrické náradie“ používaný v nasledujúcom texte sa vzťahuje na ručné elektrické náradie napájané zo siete (s prírodnou šnúrou) a na ručné elektrické náradie napájané akumulátorovou batériou (bez prírodnej šnúry).

### 1) BEZPEČNOSŤ NA PRACOVISKU

- Udržiavajte svoje pracovisko čisté a upratané.** Neporiadok na pracovisku alebo neosvetlené časti pracoviska môžu viesť k úrazom.
- Nepracujte elektrickým náradím v prostredí ohrozenom výbuchom, v ktorom sa nachádzajú horľavé kvapaliny, plyny alebo prach.** Elektrické náradie produkuje iskry, ktoré môžu prach alebo pary zapáliť.
- Deti a iné osoby udržiavajte počas práce od ručného elektrického náradia v dostatočnej vzdialenosti.** V prípade odpútania Vašej pozornosti by ste mohli stratiť kontrolu nad náradím.

### 2) ELEKTRICKÁ BEZPEČNOSŤ

- Zástrčka prírodnej šnúry sa musí hodiť do napájacej zásuvky. Zástrčka sa v žiadnom prípade nesmie meniť. Pri uzemnených spotrebičoch nepoužívajte spolu s nimi žiadne adaptéry.** Nezmenená zástrčka a vhodná zásuvka znižujú riziko zásahu elektrickým prúdom.
- Vyhýbajte sa telesnému kontaktu s povrchovými plochami uzemnených spotrebičov, ako sú elektrické rúry, vyhrievacie telesá, sporáky a chladničky.** Keď je Vaše telo uzemnené, riziko zásahu

elektrickým prúdom je vyššie.

- c) **Chráňte ručné elektrické náradie pred dažďom a vlhkom.** Vniknutie vody do ručného elektrického náradia zvyšuje riziko zásahu elektrickým prúdom.
  - d) **Nepoužívajte prírodnú šnúru na prenášanie náradia, na jeho vešanie, ani za ňu nevyťahujte zástrčku zo zásuvky.** Prírodnú šnúru chráňte pred horúčavou, olejom, ostrými hranami alebo pohybujúcimi sa časťami náradia. Poškodené alebo zauzlené šnúry zvyšujú riziko zásahu elektrickým prúdom.
  - e) **Ak pracujete s ručným elektrickým náradím vonku, používajte len také predlžovacie šnúry, ktoré sú schválené pre používanie vo vonkajších priestoroch.** Používanie predlžovacej šnúry určenej do vonkajšieho prostredia znižuje riziko zásahu elektrickým prúdom.
  - f) **Ak sa nedá vyhnúť použitiu ručného elektrického náradia vo vlhkom prostredí, použite prerušovač uzemňovacieho obvodu.** Používanie prerušovača uzemňovacieho obvodu znižuje riziko zásahu elektrickým prúdom.
- ### 3) BEZPEČNOSŤ OSÔB
- a) **Buďte pozorní, dávajte pozor na to, čo robíte a k práci s elektrickým náradím pristupujte rozumne.** Nepoužívajte elektrické náradie, keď ste unavení alebo keď ste pod vplyvom drog, alkoholu alebo liekov. Chvíľa nepozornosti pri používaní náradia môže viesť k vážnym poraneniam.
  - b) **Noste osobné ochranné pomôcky, ochranný odev a vždy majte nasadené ochranné okuliare.** Nosenie pracovného odevu a používanie ochranných pomôcok ako ochrannej dýchacej masky, bezpečnostných protišmykových topánok, prilby alebo chrániča sluchu, podľa druhu elektrického náradia, znižuje riziko poranenia.
  - c) **Vyhýbajte sa neúmyselnému uvedeniu ručného elektrického náradia do činnosti.** Pred zasunutím zástrčky do zásuvky a/alebo pred pripojením akumulátora, pred chytením alebo prenášaním ručného elektrického náradia sa vždy presvedčte sa, či je ručné elektrické náradie vypnuté. Ak budete mať pri prenášaní ručného elektrického náradia prst na vypínači, alebo ak ručné elektrické náradie pripojíte na elektrickú sieť zapnutú, môže to mať za následok nehodu.
  - d) **Skôr ako ručné elektrické náradie zapnete, odstráňte nastavovacie a montážne nástroje.** Nástroj alebo kľúč, ktorý sa nachádza v pohyblivej časti náradia, môže spôsobiť poranenie.
  - e) **Neprečunujte sa. Zabezpečte si pevný postoj a neprestajne udržiavajte rovnováhu.** Takto budete môcť ručné elektrické náradie v neočakávaných situáciách lepšie kontrolovať.
  - f) **Pri práci noste vhodné pracovný odev. Nenoste široké odevy a nemiajte na sebe šperky.** Vyvarujte sa toho, aby sa vaše vlasy a odev dostali do blízkosti pohyblivých častí. Voľný odev, dlhé vlasy alebo šperky môžu byť zachytené rotujúcimi časťami ručného elektrického náradia.
  - g) **Ak možno namontovať zariadenie na odsávanie alebo zachytávanie prachu, presvedčte sa, či je pripojené a správne používané.** Používanie odsávacieho zariadenia a zariadenia na zachytávanie

prachu znižuje riziko ohrozenia zdravia prachom.

- h) **Nepodliehajte falošnému pocitu istoty získanej z častého používania náradia a nekonajte v rozpore s princípmi bezpečného používania náradia.** Nepozorná práca môže v priebehu zlomkov sekundy viesť k ťažkému poraneniu.
- ### 4) STAROSTLIVÉ ZAOBCHÁDZANIE S ELEKTRICKÝM NÁRADÍM A JEHO POUŽÍVANIE
- a) **Náradie neprefažujte. Pre svoju prácu používajte určené elektrické náradie.** Pomocou vhodného ručného elektrického náradia budete môcť v uvedenom rozsahu výkonu pracovať lepšie a bezpečnejšie.
  - b) **Nepoužívajte žiadne ručné elektrické náradie, ktoré má pokazený vypínač.** Ručné elektrické náradie, ktoré sa už nedá zapínať alebo vypínať, je nebezpečné a treba ho dať opraviť.
  - c) **Skôr ako začnete náradie nastavovať alebo prestavovať, vymieňať príslušenstvo alebo ako odložíte náradie, vždy vyťahnite koncovku sieťovej šnúry zo zásuvky a/alebo vyberte akumulátor, ak sa dá vybrať.** Toto preventívne opatrenie zabraňuje neúmyselnému spusteniu ručného elektrického náradia.
  - d) **Nepoužívané ručné elektrické náradie uschovávajte mimo dosahu detí.** Nedopusťte, aby ručné elektrické náradie používali osoby, ktoré s ním nie sú dôkladne oboznámené, alebo ktoré si neprečítali tento Návod na používanie. Ak ručné elektrické náradie používajú nesúhlasné osoby, stáva sa nebezpečným nástrojom.
  - e) **Ručné elektrické náradie a príslušenstvo starostlivo ošetrujte.** Skontrolujte, či pohyblivé súčasti náradia bezchybne fungujú a neblokujú a či nie sú zlomené alebo poškodené niektoré súčasti, ktoré by mohli negatívne ovplyvniť fungovanie ručného elektrického náradia. Pred použitím ručného elektrického náradia dajte poškodené súčasti opraviť. Nejednen úraz bol spôsobený zle udržiavaným náradím.
  - f) **Používané nástroje udržiavajte ostré a čisté.** Starostlivo ošetrované nástroje s ostrými reznými hranami sa menej často zablokujú a ich vedenie je podstatne ľahšie.
  - g) **Používajte ručné elektrické náradie, príslušenstvo, pracovné nástroje a pod. podľa týchto pokynov. Zohľadnite pritom konkrétne pracovné podmienky a činnosť, ktorú máte vykonať.** Používanie ručného elektrického náradia na iné ako určené účely môže viesť k nebezpečným situáciám.
  - h) **Rukoväť a úchopové povrchy udržiavajte suché, čisté a bez oleja alebo mazacieho tuku.** Šmyklavé rukoväť a úchopové povrchy neumožňujú bezpečnú manipuláciu a ovládanie náradia v neočakávaných situáciách.
- ### 5) SERVIS
- a) **Ručné elektrické náradie zverte do opravy len kvalifikovanému personálu a používajte len originálne náhradné súčasti.** Tým sa zabezpečí zachovanie bezpečnosti ručného elektrického náradia.

## BEZPEČNOSTNÉ POKYNY PRE KOTÚČOVÉ PÍLY

### 1) PÍLENIE

- a) **NEBEZPEČENSTVO : Nedávajte ruky do pracovného priestoru píly ani k pílovému listu. Druhou rukou držte prídavnú rukoväť náradia alebo teleso motora.**

Keď držíte elektrickú pílu oboma rukami, pilový list Vám ich nemôže poraniť.

- b) **Nepokúste sa chytiť opracovaný predmet zospodu.** Ochranný kryt Vás nechráni pred kotúčom pod opracovaným predmetom.
- c) **Nastavte hĺbku rezu podľa hrúbky opracúvaného materiálu.** Menej ako celý zrub pilového kotúča by mal byť viditeľný pod obrobkom.
- d) **Nikdy nedržte pri rezaní obrobok v ruke ani ho nepridržiavajte nad nohou. Zabezpečte obrobok na nejakom stabilnom podklade, stabilným upevnením.** Je dôležité, aby bol obrobok dobre upevnený a aby sa na minimum zmenšilo nebezpečenstvo kontaktu s telom, zablokovania pilového listu alebo možnosť straty kontroly nad náradím.
- e) **Elektrický nástroj držte za izolované plochy rúkovi, pretože strihacie čepele sa môžu dotknúť skrytých elektrických vedení alebo vlastného sieťového kábla** (kontakt s vedením, ktoré je pod napätím, môže dostať pod napätie nechránené kovové časti elektrického nástroja, čo môže operátorovi spôsobiť zasiahanie elektrickým prúdom)
- f) **Pri rozrezávaní vždy použite ohradu na rezanie alebo vodiťko na rovné pílenie.** Rez bude presnejší a je menej pravdepodobné, že sa kotúč zasekne.
- g) **Používajte vždy pilové listy správnej veľkosti a s vhodným upínacím otvorom (napríklad hviezdicovým alebo okrúhlym).** Pilové listy, ktoré sa nehodia k montážnym súčiastkam píly, nebežia celkom rotačne a spôsobia stratu kontroly obsluhy na náradím.
- h) **Nikdy nepoužívajte poškodené alebo nesprávne podložky alebo skrutki pre kotúče.** Podložky a skrutki kotúčov boli zvlášť navrhnuté pre vašu pílu na dosiahnutie optimálneho výkonu a bezpečnej prevádzky.

## 2) SPÄTNÝ RÁZ - PRÍČINY A ZODPOVEDÁJÚCE UPOZORNENIA

- Spätňý ráz je náhla reakcia ak je kotúč zachytený, uviaznutý alebo nesprávne zoradený, spôsobí, že sa nekontrolovaná píla zdvihne z opracovaného predmetu smerom k pracovníkovi
- Ak kotúč uviazne alebo sa zasekne do zárezu, ak sa zastaví a motor reaguje tak, že sa píla hýbe smerom dozadu k pracovníkovi
- Ak sa kotúč začne skrúcať alebo je nevyrovnaný v reze tak zuby na zadnej strane kotúča sa môžu zaseknúť hlboko do povrchu dreva a kotúč môže potom výstř z vrubu a skočíť dozadu na pracovníka
- Spätňý ráz je následkom nesprávneho a chybného používania ručného elektrického náradia. Vhodnými preventívnymi opatreniami, ktoré popisujeme v nasledujúcom texte, mu možno zabrániť.
- a) **Držte pílu pevne oboma rukami a postavte sa telom tak, aby Vaše rameno mohlo odporovať sile spätňého rázu. Postavte sa na ktorúkoľvek stranu kotúča, ale nie v tej istej línii ako kotúč.** Spätňý ráz môže spôsobiť to, že píla náhle vyskočí dozadu, ale pracovník môže kontrolovať silu spätňého rázu ak sa urobia vhodné opatrenia.
- b) **ak sa kotúč zasekne alebo ak sa rezanie preruší z akéhokoľvek dôvodu, uvoľnite spúšť a držte pílu bez pohybu v materiáli až kým sa kotúč úplne zastaví. Nikdy sa nepokúste vybrať pílu z opracovaného predmetu alebo vytiahnuť pílu**

**dozadu kým sa kotúč otáča aby nedošlo k spätnému rázu.** Skontrolujte opracovaný kus a upravte ho aby nedošlo k uviaznutiu kotúča. Vyhňte sa prerezaniu skrutek alebo klincov.

- c) **Keď znovu začnete píliť opracovaný kus, umiestnite pilový kotúč do vrubu a skontrolujte, či sa zuby píly voľne hýbu v materiáli.** Ak kotúč uviazne, môže vyskočiť alebo spôsobiť spätňý ráz z opracovaného kusu keď sa píla znovu zapne.
- d) **Podporte veľké panely aby sa minimalizovalo riziko zaseknutia kotúča a spätňého rázu.** Veľké panely sa často ohnú pod vlastnou váhou. Obe strany panelu sa musia podporiť blízko čiary rezu a pri hranách panelu.
- e) **Nepoužívajte tupé alebo poškodené kotúče.** Nenaostrené alebo nesprávne nastavené kotúče vytvorja úzky vrub, spôsobujúci príliš veľké trenie, uviaznutie kotúča a spätňý ráz.
- f) **Zamykajúce páky na nastavenie hĺbky kotúča a úkosu sa musia tesne pripevniť pred začatím rezania.** Ak sa nastavenie kotúča pošmykne počas rezania, môže spôsobiť uviaznutie kotúča a spätňý ráz.
- g) **Mimoriadne opatrný treba byť pri rezaní do existujúcich (neznámych) stien alebo do iných neprehľadných miest.** Zapichovaný pilový list môžu pri pílení zablokovať rôzne skryté objekty, čo môže spôsobiť spätňý ráz.

## 1) FUNKCIA DOLNÉHO OCHRANNÉHO KRYTU

- a) **Pred každým použitím skontrolujte, či je kryt správne zavretý. Pílu nezapnite ak sa dolný ochranný kryt voľne nepohybuje a ihneď nezavre.** Nikdy neprievnite alebo nepriviazte dolný ochranný kryt do otvorenej pozície. Ak píla náhodou spadne je možné, že sa kryt ohne. Odpojte zástrčku, zodvihnite kryt so zaťahovacou rukoväťou a skontrolujte, či sa voľne pohybuje a nedotýka sa kotúča alebo inej časti, pri rezaní pod akýmkoľvek uhlom a do akejkoľvek hĺbky.
- b) **Skontrolujte, či pružina na dolnom ochrannom kryte funguje. Ak kryt a pružina nefungujú správne tak sa musia pred použitím opraviť.** Dolný ochranný kryt sa možno hýbe pomaly lebo niektoré časti sú poškodené, alebo zašpinené.
- c) **Dolný ochranný kryt by sa mal dať ručne dole len pre špeciálne rezy, ako napr. zapichovacie a kombinované rezy. Zodvihnite dolný ochranný kryt stiahnutím rukoväte a akonáhle sa kotúč dostane do materiálu, kryt sa musí uvoľniť.** Pre všetky ostatné pílenia by mal kryt fungovať automaticky.
- d) **Vždy dajte pozor aby dolný ochranný kryt kryl kotúč prv než položíte pílu na pracovný povrch alebo na zem.** Nechránený otáčajúci sa kotúč spôsobí, že sa píla pohne dozadu, bude rezať všetko, čo je jej v ceste, uvedomte si, že chvíľu trvá kým sa kotúč zastaví po vypnutí vypínača.

## ĎALŠIE VÝSTRAŽNÉ UPOZORNENIA

- Pri zapínaní vzniká krátkodobý pokles napätia; za nepriaznivých podmienok v elektrickej sieti to môže mať negatívny vplyv na ostatné spotrebiče (v prípade impedance menšej ako 0,468 Ohmov sa poruchy neobjavujú); ak potrebujete ďalšie informácie môžete sa obrátiť na svojho lokálneho distribútora elektrickej energie

## VŠEOBECNE

- Tento nástroj by nemali používať osoby mladšie ako 16 rokov
- Tento stroj nie je vhodný pre rezanie za mokra
- **Pri nastavovaní alebo výmene príslušenstva vždy vytiahnite prívodný kábel zo zásuvky**
- Nikdy nepoužívajte náradie s poškodeným káblom; kábel sa musí vymeniť za špeciálne pripravený kábel dostupný prostredníctvom servisného strediska.
- **Neobrábajte materiál, ktorý obsahuje azbest** (azbest sa považuje za rakovinotvorný materiál)
- Prach z materiálu, akým je náter obsahujúci olovo, niektoré druhy dreva, minerály a kovy môže byť škodlivý (styk alebo nadýchanie prachu môže spôsobiť alergické reakcie a/alebo respiračné ochorenia obsluhy a okolostojacích osôb); **používajte ochrannú masku tváre a pracujte so zariadením na odsávanie prachu, ak je takéto zariadenie možné pripojiť**
- Určité druhy prachu sú klasifikované ako karcinogénne (akým dubový a bukový prach), a to hlavne v spojení s prísadami pre úpravu dreva; **používajte ochrannú masku tváre a pracujte so zariadením na odsávanie prachu, ak je takéto zariadenie možné pripojiť**
- Dodržujte stanovené nariadenia pre prácu v prašnom prostredí
- Používajte len rezací stôl vybavený vypínačom zabráňujúcim spusteniu motora po prerušení prívodu elektrickej energie
- Používajte len rezací stôl vybavený vedením rezu

## PRÍSLUŠENSTVO

- SKIL zabezpečí hladký chod nástroja len ak sa používa pôvodné príslušenstvo
- Používajte len také pilové kotúče, ktorých charakteristika zodpovedá údajom uvedeným v tomto Návode na používanie a ktoré sú testované podľa normy EN 847-1 a sú aj primerane označené
- Používajte iba príslušenstvo, u ktorého hodnota prípustných obrátok zodpovedá minimálne najvyšším obrátkam náradia
- Používajte len pilové kotúče s minimálnym priemerom 184 mm, maximálnym priemerom 184 mm a hriadeľovým otvorom 16 mm (**5820**)
- Používajte len pilové kotúče s minimálnym priemerom 190 mm, maximálnym priemerom 190 mm a hriadeľovým otvorom 16 mm (**5830**)
- Nikdy nepoužívajte pilové kotúče vyrobené z rýchloreznej ocele (HSS)
- Nikdy nepoužívajte brúsne/rezacie kotúče s týmto nástrojom

## PRED POUŽITÍM

- Vždy skontrolujte či je napájacie napätie rovnaké ako napätie uvedené na štítku nástroja
- Zabráňte poškodeniu náradia skrutkami, kľincami a inými kovovými predmetmi v obrobku; zoberte ich dole prv než začnete pracovať
- Predtým než začnete rezať, odstráňte všetky prekážky na vrchnej a spodnej strane reznej dráhy
- **Zaistite obrábaný diel** (obrábaný diel uchytýny pomocou upínacích zariadení alebo vo zveráku je oveľa bezpečnejší kým v ruke)
- **Na vyhľadanie skrytých elektrických vedení, plynových a vodovodných potrubí použite vhodné hľadacie prístroje, alebo sa spojte s príslušným dodávateľom** (kontakt s elektrickým vedením môže mať za následok vznik požiaru alebo spôsobiť zásah elektrickým prúdom; poškodenie plynového potrubia

môže spôsobiť výbuch; prevrtanie vodovodného potrubia spôsobí vecné škody, alebo môže spôsobiť zásah elektrickým prúdom)

- Používajte úplne odmotanú a bezpečnú predĺžovaciu šnúru s kapacitou 16 A

## POČAS PRÁCE

- Hlasitosť zapnutého prístroja môže byť viac aké 85 dB(A); chráňte si uši ochrannými kryciami prostriedkami
- Nikdy nepoužívajte stroj bez originálnych ochranných krytov
- Nepokúšajte sa rezať veľmi malé kusy
- Nepracujte so strojom v polohe nad hlavou
- V prípade zaseknutia, mechanickej alebo elektrickej poruchy, okamžite vypnite stroj a odpojte prívodný kábel
- Ak je sieťová šnúra poškodená alebo ak sa prereže počas prevádzky, nedotýkajte sa jej ale ju ihneď odpojte z hlavnej elektrickej siete

## PO PRÁCI

- Skôr než nástroj položíte, presvedčte sa že je motor vypnutý a že sú všetky pohyblivé súčiastky zastavené
- Po vypnutí kotúčovej píly nikdy nezastavujte otáčajúci sa kotúč silou vyvedenou na jeho bočnú stranu

## VYSVETLENIE SYMBOLOV NA NÁSTROJI

- ③ Pred použitím si prečítajte návod na obsluhu
- ④ Dvojité izolácia (nevyžaduje sa uzemňovací kábel)
- ⑤ Nástroj nevyhadzujte do komunálneho odpadu

## POUŽITIE

- Montáž pilového kotúča ②
  - ! **odpojte zástrčku**
  - vyberte kľúč T z púzdra V
  - stisnite tyčinkové zamykajúce tlačítko C a držte ho dole kým točením kľúča T vyberiete skrutku D upevňujúcu kotúč
  - ! **nástroj musí byť vypnutý keď stisnete tlačítko C**
  - uvoľnite tyčinkové zamykajúce tlačítko C
  - dajte dole prsteneč E
  - ! **dajte pozor aby pripeňovacie povrchy H na prstencoch boli dokonale čisté a aby smerovali ku kotúču**
  - otvorte spodný ochranný kryt F pákou G a držte ho kým namontujete pilový kotúč; zuby kotúča a dipka na pilovom kotúči musia smerovať tým istým smerom ako dipka na hornom ochrannom kryte
  - uvoľnite spodný ochranný kryt F
  - namontujte späť prsteneč E
  - stisnite tyčinkové zamykajúce tlačítko C a držte ho dole kým pritiahnete skrutku upevňujúcu kotúč otočením kľúča proti smeru hodinových ručičiek o 1/8 otočenia za zatiahnutie prstom (zabezpečí preklzávanie pilového kotúča pri príliš veľkom odpore čím znižuje preťaženie motora a spätný odraz pri rezaní)
  - uvoľnite tyčinkové zamykajúce tlačítko C
- Nastavenie hĺbky rezu ⑥
  - pre optimálnu kvalitu rezu nesmie byť pilový kotúč vysunutý viac ako 3 mm pod opracovávaným predmetom
  - uvoľnite gombík J
  - zdvihnite/potlačte základovú dosku K do požadovanej hĺbky podľa stupnice a indikátora L
  - dotiahnite gombík J
- Nastavenie uhla rezania (0-50°) ⑦
  - uvoľnite gombík M

- natočte stroj do požadovaného uhla podľa stupnice a indikátora N
- dotiahnite gombík M
- ! **pri rezaní pod uhlom nezodpovedá hĺbka rezu hodnote na stupnici pre hĺbku rezu**
- Kontrola uhla rezu 90° ⑦
  - nastavte a dotiahnite základovú dosku K v maximálnej hĺbke rezu ⑥
  - nastavte a zafixujte uhol rezania 0°
  - skontrolujte uhol 90° medzi kotúčom a spodnou stranou základovej dosky pomocou uholníka
  - ak je potrebné nastavenie, uvoľnite gombík M a použite nastavovaciu skrutku P ako je zobrazené
- Nastaviteľná ryška pre sledovanie línie rezu Q ⑧
  - pre vedenie nástroja pozdĺž požadovanej čiary rezu vyznačenej na opracovávanom kuse
  - pre priamy rez pod uhlom 0° alebo šikmý rez pod uhlom 45° používajte príslušnú ryšku
  - ! **široká strana základovej dosky musí ležať na podoprenej strane opracovávaného predmetu**
  - je možné nastaviť na zarovnanie s rôznymi šírkami pílového kotúča, môže sa však stať, že jedna strana pílového kotúča sa nezarovná, v takom prípade sa rozhodnite, či odpadový materiál je na vnútornej alebo vonkajšej strane kotúča ⑧
  - ! **šírka rezu je určená šírkou zubov kotúča a nie šírkou telesa kotúča**
  - ! **vždy najskôr vykonajte skúšobný rez na overenie skutočnej čiary rezu**
- Odsávanie prachu
  - na adaptér Y ⑨ nasuňte odsávaciu hadicu
  - ! **nikdy nedovoľte, aby hadica vysávača zasahovala do spodného krytu alebo do priebehu rezania**
- Prevádzka nástroja ⑨
  - zapojte prívodný kábel zo zdroja energie
  - vždy pevne držte rukoväť R jednou rukou a rukoväť S druhou rukou
  - položte stroj prednou stranou základovej dosky na opracovávaný predmet
  - ! **skontrolujte, či zuby kotúča nezasahujú do opracovávaného predmetu**
  - zapnite stroj tak, že najprv stlačíte tlačidlo B (= bezpečnostný vypínač, ktorý nemôže byť zablokovaný) a potom potiahnete západku A
  - ! **predtým, ako kotúč vnikne do opracovávaného predmetu musí stroj bežať na plné otáčky**
  - spodný kryt F sa otvára automaticky keď pílový kotúč vniká do opracovávaného predmetu (spodný kryt otvárajte manuálne pomocou páky G len pri špeciálnych rezoch, napr. zapichovacích rezoch)
  - ! **netlačte príliš na nástroj (vyvíjajte mierny a plynulý tlak tak, aby sa predišlo prehrievaniu špičiek čepelí a v prípade rezania plastov roztaveniu plastového materiálu)**
  - ! **počas práce vždy držte nástroj v oblasti sivého držadla(iel)**
  - po dokončení rezu vypnite stroj uvoľnením západky A
  - ! **dajte pozor sa pílkový list úplne zastavil prv než zodvihnete nástroj z opracovávaného materiálu**
- Používajte len ostré kotúče správneho typu ⑩
  - kvalita rezu sa zlepšuje počtom zubov
  - kotúče zo spekaných karbidov zostávajú ostré až 30 krát dlhšie než bežné kotúče
- Vodičko pre pozdĺžne rezanie Z ⑪
  - pre presné rezanie pozdĺž okraja opracovávaného predmetu
  - môže byť vložené na obidve strany základovej dosky
  - Nastavenie vodička pre pozdĺžne rezanie
  - uvoľnite gombík AA
  - nastavte na požadovanú šírku rezania použitím stupnice vodička pre pozdĺžne rezanie (použite ryšku rezu Q ako referenciu 0)
  - dotiahnite gombík AA
- Zapichovacie rezanie ⑫
  - nastavte požadovanú hĺbku rezu
  - natočte stroj dopredu pomocou rýsky rezu Q
  - vyrovnajte podľa požadovanej čiary rezu označenej na obrábanom kuse
  - otvorte spodný ochranný kryt F pákou G
  - krátko predtým, ako kotúč vnikne do predmetu, zapnite stroj a postupne spúšťajte zadnú stranu stroja používajúc prednú stranu základovej dosky ako otočný bod
  - postupne spúšťajte stroj smerom dole a tiež smerom dopredu
  - akonáhle sa kotúč dostane do materiálu, uvoľnite páku G
  - ! **nikdy neľahajte stroj smerom dozadu**
- Rezanie veľkých panelov ⑬
  - podoprite panel v blízkosti rezu, či už na podlahe, stole alebo pracovnom stole
  - ! **nastavte hĺbku rezu tak, aby ste prerezali panel a nie podperu**
  - ak šírka rezu nedovoľuje použitie vodička pre pozdĺžne rezanie, prichyťte alebo klincami upevnite na panel rovný kus dreva slúžiaci ako vodičko; režte tak, aby sa pravá strana základovej dosky opierala o toto vodičko


## ÚDRŽBA / SERVIS

- Tento nástroj nie je vhodný pre profesionálne použitie
- Nástroj a sieťovú šnúru udržiajte stále čistou (zvlášť vetracie štrbiny AB)
- ! **pred čistením odpojte z elektrickej siete**
- Priestor okolo spodného ochranného krytu F ② udržiajte vždy čistý (odstráňte prach a piliny pomocou stlačeného vzduchu alebo kefy)
- Hneď po použití očistite pílový kotúč (obzvlášť od živice a lepidla)
- Ak by nástroj napriek starostlivej výrobe a kontrole predsa len prestal niekedy fungovať, treba dať opravu vykonať autorizovanej servisnej opravovni elektrického náradia SKIL
- pošlite nástroj **bez rozmontovania** spolu s dôkazom o kúpe; vášmu dilerovi alebo do najbližšieho servisného strediska SKIL (zoznam adries servisných stredísk a servisný diagram nástroja sú uvedené na [www.skil.com](http://www.skil.com))
- Uvedomte si, že poškodenie spôsobené preťažením alebo nesprávnym zaobchádzaním bude zo záruky vylúčené (záručné podmienky spoločnosti SKIL nájdete na stránke [www.skil.com](http://www.skil.com) alebo si ich vyžiadajte u svojho predajcu)

## RADA NA POUŽITIE

- Vždy otočte čelnú stranu opracovávaného predmetu smerom dole, aby dochádzalo k minimálnemu štiepeniu

## ŽIVOTNÉ PROSTREDIE

- **Elektrické náradie, príslušenstvo a balenia nevyhadzujte do komunálneho odpadu** (len pre štáty EÚ)
  - podľa európskej smernice 2012/19/EG o nakladaní s použitými elektrickými a elektronickými zariadeniami a zodpovedajúcich ustanovení právnych predpisov jednotlivých krajín sa použité elektrické náradie musí zbierať oddelene od ostatného odpadu a podrobiť ekologicky šetrnej recyklácii
  - pripomenie vám to symbol , keď ju bude treba likvidovať


## HLUK / VIBRÁCIE

- Hladina akustického tlaku nameraná v súlade s normou EN 62841 je 97,0 dB(A) a hladina akustického výkonu je 108,0 dB(A) (neistota K = 3 dB) a vibrácie \* (triaxový vektorový súčet; neistota K = 1,5 m/s<sup>2</sup>)
    - \* rezanie dreva 4,0 m/s<sup>2</sup>
    - \* rezanie kovu 2,8 m/s<sup>2</sup>
  - Hladina emisií od vibrácií bola nameraná v súlade s normalizovaným testom uvedeným v norme EN 62841; môže sa používať na vzájomné porovnávanie náradí a na predbežné posúdenie vystavenia účinkom vibrácií pri používaní náradia pre uvedené aplikácie
    - používanie náradia na rôzne aplikácie, alebo v spojení s rôznymi alebo nedostatočne udržiavanými doplnkami môže značne **zvýšiť** úroveň vystavenia
    - časové doby počas ktorých je je náradie vypnuté alebo počas ktorých náradie beží ale v skutočnosti nevykonáva prácu môžu značne **znižovať** úroveň vystavenia
- ! chráňte sa pred účinkami vibrácií tak, že budete náradie a jeho príslušenstvo správne udržiavať, tak že nebudete pracovať so studenými rukami a tak že si svoje pracovné postupy správne zorganizujete**

HR

## Kružna pila 5820/5830

### UVOD

- Ovaj je uređaj predviđen za uzdužno i poprečno rezanje drva, ravno ili pod kutom do 50°; a s odgovarajućim listovima pile mogu se rezati i neželjezni metali, laki građevni materijali i plastika
- Ovaj uređaj nije namijenjen profesionalnoj upotrebi
- Pažljivo pročitajte i sačuvajte ove upute za rukovanje 

### TEHNIČKI PODACI


### DIJELOVI ALATA

- A Prekidač
- B Sigurnosni prekidač
- C Gumb za aretiranje vretena
- D Vijak lista pile
- E Matica
- F Donji štitnik
- G Ručica za otvaranje donjeg štitnika
- H Stezna površina

- J Ručica za namještanje rezne dubine
- K Osnova
- L Pokazatelj dubine reza
- M Gumb za podešavanje reznog kuta
- N Pokazatelj reznog kuta
- P Vijak za namještanje krajnjeg zapora od 90°
- Q Vizir linije rezanja
- R Stražnja ručka
- S Prednja ručka
- T Ključ za list pile
- V Spremnik za ključ za list pile
- W Odvod za strugotinu
- Y Priključak usisavača prašine
- Z Bočni graničnik
- AA Gumb za podešavanje graničnika
- AB Otvori za strujanje zraka

## SIGURNOST

### OPĆA SIGURNOSNA UPOZORENJA ZA ELEKTRIČNE ALATE

 **UPOZORENJE Pročitajte sva sigurnosna upozorenja, upute, ilustracije i specifikacije isporučene s ovim električnim alatom.** Zbog nepridržavanja svih uputa koje su navedene u nastavku može doći do nastanka strujnog udara, požara i/ili teške ozljede.

### Sva upozorenja i upute sačuvajte kao referencu za buduće upotrebe.

U daljnjem tekstu korišten pojam "električni alat" odnosi se na električne alate s priključkom na električnu mrežu (s mrežnim kablom) i na električne alate s napajanjem iz aku baterije (bez mrežnog kabela).

#### 1) SIGURNOST NA RADNOM MJESTU

- a) **Vaše radno područje održavajte čisto i uredno.** Nered ili neosvijetljeno radno područje mogu doći do nezgoda.
- b) **S uređajem ne radite u okolini ugroženoj eksplozijom, u kojoj se nalaze zapaljive tekućine, plinovi ili prašina.** Električni alati proizvode iskre koje mogu zapaliti prašinu ili pare.
- c) **Djecu i ostale osobe držite dalje tijekom korištenja električnog alata.** Ako bi skrenuli pozornost sa posla mogli bi izgubiti kontrolu nad uređajem.

#### 2) ELEKTRIČNA SIGURNOST

- a) **Priključni utikač uređaja treba odgovarati utičnici. Na utikaču se ni u kojem slučaju ne smiju izvoditi izmjene. Ne koristite adapterske utikače zajedno sa uređajima koji su zaštićeni uzemljenjem.** Originalni utikač i odgovarajuće utičnice smanjuju opasnost od električnog udara.
- b) **Izbjegavajte dodir tijela s uzemljenim površinama kao što su cijevi, centralno grijanje, štednjaci i hladnjaci.** Postoji povećana opasnost od električnog udara ako je vaše tijelo uzemljeno.
- c) **Držite uređaj dalje od kiše ili vlage.** Prodiranje vode u električni uređaj povećava opasnost od električnog udara.
- d) **Priključni kabel ne koristite za nošenje, vješanje ili za izvlačenje utikača iz utičnice. Držite kabel dalje**

- od izvora topline, ulja, oštrih rubova ili pomičnih dijelova uređaja. Oštećen ili usukan kabel povećava opasnost od električnog udara.
- e) **Ako s električnim uređajem radite na otvorenom, koristite samo produžni kabel odobren za uporabu na otvorenom.** Primjena produžnog kabela prikladnog za uporabu na otvorenom smanjuje opasnost od električnog udara.
  - f) **Ako se ne može izbjeći uporaba električnog alata u vlažnoj okolini, upotrijebite sigurnosna sklopka za propuštanje u zemlju.** Upotrebom sigurnosne sklopke za propuštanje u zemlju smanjuje se opasnost od električnog udara.
- ### 3) SIGURNOST LJUDI
- a) **Budite oprezni, pazite što činite i postupajte razumno kod rada s električnim alatom. Ne koristite uređaj ako ste umorni ili pod utjecajem opojnih sredstava, alkohola ili lijekova.** Trenutak nepažnje kod uporabe uređaja može doći do ozbiljnih ozljeda.
  - b) **Nosite sredstva osobne zaštite i uvijek zaštitne naočale.** Nošenje sredstava osobne zaštite, kao što je zaštitna maska, sigurnosne cipele koje ne klize, zaštitne kacige ili štitnika za sluh, ovisno od vrste i primjene električnog alata, smanjuje opasnost od nezgoda.
  - c) **Izbjegavajte nehotično puštanje u rad. Prije nego što ćete utaknuti utikač u utičnicu i/ili staviti akubateriju, provjerite je li električni alat isključen.** Ako kod nošenja električnog alata imate prst na prekidaču ili se uključen uređaj priključi na električno napajanje, to može dovesti do nezgoda.
  - d) **Prije nego što uređaj uključite, uklonite alate za podešavanje ili vijčane ključeve.** Alat ili ključ koji se nalazi u rotirajućem dijelu uređaja može doći do nezgoda.
  - e) **Ne precjenjujte svoje sposobnosti. Zauzmite siguran i stabilan položaj tijela i držite u svakom trenutku ravnotežu.** Na taj način možete uređaj bolje kontrolirati u neočekivanim situacijama.
  - f) **Nosite prikladnu odjeću. Ne nosite široku odjeću ili nakit. Kosu i odjeću držite dalje od pomičnih dijelova.** Široku odjeću, dugu kosu ili nakit mogu zahvatiti pomični dijelovi.
  - g) **Ako se mogu montirati naprave za usisavanje i hvatanje prašine, provjerite da li su iste priključene i da li se pravilno koriste.** Primjena naprave za usisavanje može smanjiti ugroženost od prašine.
  - h) **Nemojte postati previše bezbrižni i zanemariti sigurnosne upute zato što alat često upotrebljavate i smatrate da ste ga dobro poznali.** Samo jedan trenutak nepažnje dovoljan je za nastanak ozbiljnih ozljeda.
- ### 4) BRIŽLJIVA UPORABA ELEKTRIČNIH ALATA
- a) **Ne preopterećujte uređaj. Koristite za vaše radove za to predviđen električni alat.** S odgovarajućim električnim alatom radit ćete bolje i sigurnije, u navedenom području učinka.
  - b) **Ne koristite električni alat čiji je prekidač neispravan.** Električni alat koji se više ne može uključiti ili isključiti, opasan je i treba se popraviti.
  - c) **Alat prije podešavanja, izmjene pribora i odlaganja isključite iz izvora napajanja i/ili izvadite komplet baterije, ako se vadi iz uređaja.** Ovim mjerama opreza izbjeći će se nehotično uključivanje električnog alata.

- d) **Nekorištene električne alate spremite izvan dosega djece. Ne dopustite da uređaj koriste osobe koje s njim nisu upoznate ili koje nisu pročitale upute za uporabu.** Električni alati su opasni ako ih koriste neiskusne osobe.
  - e) **Redovno održavajte električne alate i pribor. Kontrolirajte da li pomični dijelovi uređaja besprijeekorno rade i da nisu zaglavljani, te da li su dijelovi polomljeni ili tako oštećeni da negativno djeluju na funkciju uređaja. Popravite oštećene dijelove prije uporabe uređaja.** Mnoge nezgode imaju svoj uzrok u loše održavanim uređajima.
  - f) **Rezne alate održavajte oštrim i čistim.** Pažljivo održavani rezni alati s oštrim oštricama neće se zaglaviti i lakši su za vođenje.
  - g) **Koristite električne alate, pribor, radne alate, itd., prema navedenim uputama. Pri tome uzmite u obzir radne uvjete i radove koje se izvode.** Uporaba električnih alata za neke druge primjene različite od predviđenih, može doći do opasnih situacija.
  - h) **Ručke i zahvatne površine održavajte suhima, čistima i pazite da na njih ne dospiju ulje ili mast.** Skliske ručke i zahvatne površine onemogućuju sigurno rukovanje i alat se teško kontrolira u neočekivanim situacijama.
- ### 5) SERVISIRANJE
- a) **Popravak uređaja prepustite samo kvalificiranom stručnom osoblju i samo s originalnim rezervnim dijelovima.** Na taj će se način postići održanje stalne sigurnosti uređaja.

## UPUTE ZA SIGURNOST ZA KRUŽNE PILE

### 1) POSTUPAK PILJENJA

- a) **OPASNOST : Rukama ne zalazite u područje rezanja i do lista pile. Drugom rukom držite dodatnu ručku ili kućište motora.** Ako obim rukama držite za pilu tada vas ne može ozlijediti list pile.
- b) **Ne stavljati ruke ispod izratka.** Štitnik vas ne može zaštititi od lista pile ispod izratka.
- c) **Podesiti dubinu rezanja prema debljini izratka.** Ispod izratka se mora vidjeti manje od pola visine zuba pile.
- d) **Piljeni izradak nikada ne držite u rukama ili preko nogu. Izradak se mora nalaziti na stabilnoj podlozi.** Važno je da izradak bude dobro pričvršćen kako bi se na minimum smanjila opasnost od dodira s tijelom, uklještenja lista pile ili gubitka kontrole nad kružnom pilom.
- e) **Uređaj držite samo na izoliranim ručkama jer noževi mogu doći u dodir sa skrivenim žicama ili vlastitim kabelom** (rezanje vodova pod naponom stavljaju metalne dijelove električnog uređaja pod napon, što bi dovelo do električnog udara rukovatelja)
- f) **Uvijek koristiti štitnik ili vodilicu prilikom piljenja.** Time se povećava preciznost reza i smanjuje mogućnost savijanja lista pile.
- g) **Koristite uvijek listove pile odgovarajuće veličine i odgovarajućeg steznog povrta (npr. zvjezdastog ili okruglog).** Listovi pile koji ne odgovaraju montažnim dijelovima pile, okretat će se ekscentrično i dovesti do gubitka kontrole nad pilom.
- h) **Nikada ne koristiti neispravne ili oštećene podloške**



ili vijke. Podloške i vijci lista pile posebno su izvedeni za vašu pilu, za postizanje optimalnog učinka i sigurnosti rada.

## 2) POVRATNI UDAR – UZROCI I ODGOVARAJUĆE UPUTE

- Povratni udar je iznenadna reakcija na uklješten ili smaknut list pile, uzrokujući nekontrolirano izdizanje pile izvan izratka, prema osobi koja pili
- Kada se list pile uklješti ili zaglavi, zbog reakcije motora pile, pila će se odbaciti natrag prema osobi koja pili
- Ako bi se list pile deformirao ili smaknuo u rezu, zubi lista pile bi se mogli ukopati u gornjoj površini drva, uzrokujući odbacivanje pile prema osobi koja pili
- Povratni udar je posljedica pogrešne ili manjkave uporabe električnog alata. On se može spriječiti prikladnim mjerama opreza, kako je to opisano u daljnjem tekstu.

a) **Pilu čvrsto držite s obje ruke i u takvom položaju da se možete oduprijeti povratnom udaru. Vaše tijelo držite na bilo kojoj strani lista pile, ali ne u liniji s listom pile.** Povratni udar može uzrokovati odskakanje pile prema natrag, ali sile povratnog udara može kontrolirati osoba koja pili ako se poduzmu odgovarajuće mjere.

b) **Kada se list pile uklješti ili kada iz nekog razloga dođe do isprekidanog rezanja, treba osloboditi prekiđač i pilu bez pomicanja držati u rezu materijala, sve dok se list pile potpuno zaustavi. Nikada ne pokušavati vaditi list pile iz izratka ili povlačiti pilu prema natrag, dok se list pile kreće ili može doći do povratnog udara.** Istražiti poduzeti korektivne zahvate kako bi se otklonio uzrok uklještenja lista pile. Izbjegavati rezanje čavala ili vijaka.

c) **Kod ponovnog pokretanja pile koja se nalazi u rezu izratka, treba centrirati list pile i provjeriti da zubi pile nisu u zahvatu materijala.** Ako je list pile uklješten, on bi mogao odskočiti od izratka kada se pila ponovno pokrene.

d) **Velike ploče koje se režu treba osloniti kako bi se izbjeglo uklještenje lista pile i opasnost povratnog udara.** Velike ploče sklone su provjesu pod djelovanjem vlastite težine. Oslonci se moraju nalaziti ispod ploča na obje strane, blizu linije reza i blizu ruba ploče.

e) **Ne koristiti tupe ili oštećene listove pile.** Tupi ili neispravni listovi pile mogu uzrokovati prekomjerno trenje, uklještenje pile i povratni udar.

f) **Stezne poluge za podešavanje dubine lista pile i skošenja trebaju biti čvrsto stegnute prije rezanja.** Ako bi se podešenost lista pile pomakla tijekom rezanja, moglo bi doći do uklještenja i povratnog udara.

g) **Budite posebno oprezni kod piljenja u postojeće zidove ili na nekim drugim nevidljivim mjestima.** Zarezani list pile mogao bi se kod piljenja blokirati na skrivenim predmetima i prouzročiti povratni udar.

## 1) FUNKCIJA DONJEG ŠTITNIKA

a) **Kontrolirati donji štitnik na ispravno zatvaranje prije svake uporabe. Ne raditi s pilom ako se donji štitnik ne pomiče slobodno i ne zatvara trenutačno. Nikada ne stezati niti vezati donji štitnik u otvorenom položaju.** Ako bi pila nehotično pala, štitnik bi se mogao savinuti. Izvući mrežni utikač, podići donji štitnik s ručkom i osigurati da se slobodno pomiče i da ne dodiruje list pile ili neki drugi dio, pod svim kutovima i dubinama rezanja.

- b) **Kontrolirati djelovanje opruge donjeg štitnika. Ako štitnik i opruga ne djeluju ispravno, trebaju se servisirati prije uporabe.** Donji štitnik bi mogao djelovati tromo zbog oštećenih dijelova, naslaga smole ili nakupina prljavštine.
- c) **Donji štitnik treba uvući ručno samo za specijalne rezove. Donji štitnik podići ručkom na uvlačenje i to čim list pile zareže u materijal, donji štitnik mora biti oslobođen.** Za sva ostala rezanja donji štitnik treba djelovati automatski.
- d) **Uvijek paziti da donji štitnik pokriva list pile prije odlaganja pile na stol ili na pod.** Nezaštićen list pile može doći do ozljeda kod pomicanja pile natrag. Treba uzeti u obzir vrijeme zaustavljanja lista pile nakon otpuštanja prekiđača.

## DODATNE UPUTE ZA SIGURNOST

- Nagli prtok struje uzrokuje kratkotrajni pad napona, pod nepovoljnim uvjetima napajanja električnom energijom, može se oštetiti i druga oprema (ako je ovisnost sustava o električnom napajanju niža od 0,468 ohma, nije vjerojatno da će se pojaviti smetnje); ako su vam potrebna daljnja objašnjenja molim obratite se lokalnoj ustanovi za opskrbu električnom energijom

## OPČENITO

- Uređaj ne bi smjele koristiti osobe mlađe od 16 godina
- Ovaj uređaj nije pogodan za mokro rezanje
- **Prije svih radova održavanja, podešavanja ili izmjene alata i pribora treba izvući utikač iz mrežne utičnice**
- Nikada ne upotrebljavajte alat ako je kabel oštećen; trebate ga zamijeniti posebno pripremljenim kabelom, pripremljenim u servisnoj službi.
- **Ne obrađujte materijal koji sadrži azbest** (azbest se smatra kancerogenim)
- Prašina od materijala kao što su boje koje sadrže olovo, neke vrste drveća, minerali i metal mogu biti opasne (dodir s prašinom ili njeno udisanje mogu prouzročiti alergične reakcije i/ili respiratorna oboljenja rukovatelja ili posmatrača); **nosite masku za zaštitu od prašine i radite s uređajem za ekstrakciju prašine ukoliko ga možete priključiti**
- Određene vrste prašine klasificiraju se kao karcinogenske (kao što su prašina hrastovine i bukovine), osobito u sudejstvu s aditivima za kondicioniranje drveta; **nosite masku za zaštitu od prašine i radite s uređajem za ekstrakciju prašine ukoliko ga možete priključiti**
- Nacionalni uvjeti za materijale s kojima želite raditi
- Koristiti samo stol za piljenje opremljen prekiđačem koji sprječava pokretanje motora nakon prekiđa u napajanju
- Uvijek koristiti stol za piljenje opremljen vodilicom

## PRIBOR

- SKIL može osigurati besprijekoran rad uređaja samo ako se koristi originalni pribor
- Koristite samo listove pile koji odgovaraju karakterističnim podacima navedenim u ovim uputama za uporabu i koji su ispitani prema EN 847-1 i odgovarajuće označeni
- Upotrebljavajte pribor čija dopuštena brzina odgovara najvećoj brzini alata u praznom hodu
- Koristite samo noževe za pilu s minimalnim promjerom od 184 mm, maksimalnim promjerom od 184 mm i rupom osovine od 16 mm (5820)

- Koristite samo noževe za pilu s minimalnim promjerom od 190 mm, maksimalnim promjerom od 190 mm i rupom osovine od 16 mm (**5830**)
- Ne dopušta se korištenje listova pile od visokolegiranog brzoreznog čelika (HSS)
- Na ovaj uređaj ne stezati brusne ploče za brušenje i rezanje namijenjene za kutnu brusilicu

#### PRIJE UPORABE

- Uvijek provjerite je li napon napajanja isti kao onaj naveden na tipskoj pločici uređaja
- Izbjegavajte oštećenja od vijaka, čavala i sličnih predmeta na vašem izratku; prije početka rada ih izvadite
- Prije nego što počnete s rezanjem uklonite sve zapreke sa gornje kao i donje površine, koje se nalaze na liniji rezanja
- **Osigurajte izradak** (izradak je sigurnije pričvršćen pomoću stezaljke ili škripa nego da ga držite rukom)
- **Koristite prikladne uređaje za traženje napona kako bi se pronašli skriveni napojni vodovi ili se savjetuje s lokalnim distributerom** (kontakt s električnim vodovima mogao bi doći do požara i električnog udara; oštećenje plinske cijevi moglo bi dovesti do eksplozije; probijanje vodovodne cijevi uzrokuje materijalne štete ili može uzrokovati električni udar)
- Upotrebljavajte samo neodmotane i zaštićene produžne kabele kapaciteta 16 ampera

#### TIJEKOM UPORABE

- Razina buke kod rada može premašiti 85 dB(A); nositi štitičke za sluh
- Uređaj nikada ne koristite bez originalne zaštite
- Ne pokušavajte rezati suviše male izratke
- S uređajem ne radite iznad glave
- U slučaju blokiranja, neobičajenog ponašanja alata neobičnih šumova, uređaj treba odmah isključiti i izvući utikač iz mrežne utičnice
- Ako se tijekom rada priključni kabel ošteti ili odreže, ne dirati priključni kabel, nego odmah izvući mrežni utikač

#### NAKON UPORABE

- Čim se odmaknete od alata trebate ga isključiti, a pomični se dijelovi trebaju potpuno zaustaviti
- List pile se nakon isključivanja uređaja ne smije kočiti bočnim pritiskom

#### POJAŠNJENJE SIMBOLA NA UREĐAJU

- ③ Prije upotrebe pročitajte korisnički priručnik
- ④ Dvostruka izolacija (dozemna žica nije potrebna)
- ⑤ Uređaj ne bacajte u kućni otpad

## POSLUŽIVANJE

- Montiranje lista pile ②  
**! izvući mrežni utikač**  
 - šesterokutni ključ T uzeti iz spremišta V  
 - pritisnuti gumb C za blokadu vretena i držati ga pritisnutog dok se list pile skida odvijanjem vijka D s ključem T  
**! gumb C za blokadu vretena pritisnuti samo ako je uređaj u stanju mirovanja**  
 - otpustiti gumb C za blokadu vretena  
 - skinuti prirubnicu E  
**! treba paziti da stezne površine H prirubnice budu besprijekorno čiste i da budu okrenute prema listu pile**  
 - otvorite donji štitičnik F pomoću poluge G i zadržite donji štitičnik u otvorenom položaju prilikom montaže lista pile; zupci i utisnuta strelica na listu pile maraju biti

- usmjereni kao i strelica na gornjem štitičniku
- osloboditi donji štitičnik F
- montirati prirubnicu E
- pritisnuti gumb C za blokadu vretena i držati ga pritisnutog dok se steže vijak lista pile ključem za 1/8 okreta (list pile mora klizati kada naiđe na prekomjerni otpor, smanjujući na taj način preopterećenje motora i mogućnost povratnog udara pile)
- otpustiti gumb C za blokadu vretena
- Namještanje dubine rezanja ⑥  
 - za optimalnu kvalitetu rezanja, list pile ne smije stršati više od 3 mm ispod izratka  
 - otpustiti gumb J  
 - podići/spustiti stopalo K sve dok se tražena dubina rezanja ne namjesti na skali, pomoću pokazivača L  
 - stegnuti gumb J
- Namještanje kuta rezanja (0-50°) ⑦  
 - otpustiti gumb M  
 - električni alat nagnuti dok se ne postigne željeni kut rezanja na skali kuta, prema pokazivaču N  
 - stegnuti gumb M

#### **! kod rezanja pod kutom dubina rezanja ne odgovara vrijednosti na skali dubine rezanja**

- Kontrola kuta rezanja pod 90° ⑦  
 - podesiti i stegnuti stopalo K na max. dubinu rezanja ⑥  
 - podesiti i stegnuti kut rezanja na 0°  
 - pomoću kutomjera kontrolirati kut 90° između lista pile i dna stopala  
 - ako je potrebno podešavanje, otpustiti gumb M i koristite vijak za podešavanje P kako je prikazano
- Podesivi vizir linije rezanja Q ⑧  
 - za precizno vođenje uređaja uzduž linije rezanja povučene na izratku  
 - za ravno rezanje pod 0° ili koso rezanje pod 45°, koristiti odgovarajuću liniju pokazivača

#### **! veći dio stopala treba nalijegati na oslonjeni dio izratka**

- može se namjestiti radi podudaranja različitih širina listova pile, međutim može se dogoditi da se jedna strana lista pile ne podudara; u tom slučaju odaberite hoće li otpadni materijal biti na unutarnjoj ili vanjskoj strani lista ⑧

#### **! širina rezanja se utvrđuje širinom zuba pile, a ne debljinom lista pile**

#### **! uvijek najprije izvoditi probne rezove, kako bi se provjerila stvarna linija rezanja**

- Usisavanje prašine  
 - priključiti usisavač na nastavak Y ⑨  
**! paziti da crijevo usisavača prašine ne zatvori otvor donjeg štitičnika lista ili da ne naruši rad rezanja**
- Posluživanje uređaja ⑩  
 - mrežni utikač priključiti na utičnicu  
 - uvijek čvrsto držati ručku R s jednom rukom, a ručku S čvrsto držati drugom rukom  
 - uređaj s prednjom stranom podnožja plošno pozicionirati na izratku  
**! osigurati da se zubi lista pile ne uklone u izratku**  
 - uključiti uređaj prvo pritiskom palcem na gumb B (= sigurnosni prekidač koji se ne može zaglaviti) i zatim povući okidač A  
**! pila treba postići maksimalni broj okretaja prije nego što list pile zareže izradak**  
 - donji štitičnik lista F se otvara automatski kada list

pile zareže u izradak (donji štitnik lista otvoriti ručno pomoću poluge G samo za specijalne rezove, kao što je zarezivanje)

**! nemojte preforsiravati alat (pritišćite lagano i stalno kako bi se izbjeglo pregrijavanje vrha noža te, u slučaju rezanja plastike, topljenje plastičnog materijala)**

**! alat kod primjene, držati samo na sivo označenim područjima**

- nakon završenog rezanja uređaj isključiti otpuštanjem okidača A

**! list pile se mora potpuno zaustaviti prije nego što se alat ukloni sa izratka**

## SAVJETI ZA PRIMJENU

- Dobru stranu izratka položiti okrenutu prema dolje, kako bi se na najveću mjeru ograničilo stvaranje iveraka
- Koristite samo oštre listove pile odgovarajućeg tipa ⑩
  - kvaliteta reza povećava se sa brojem zubaca
  - listovi pile s reznim pločicama od tvrdog metala imaju do 30 puta dulji vijek trajanja od klasičnih listova pile
- Bočni graničnik Z ⑪
  - za točne paralelne rezove prema rubu izratka
  - mogu se obostrano ugraditi u stopaloNamještanje bočnog graničnika
  - otpustiti gumb AA
  - namjestiti na željenu širinu rezanja, prema skali bočnog graničnika (vizir linije rezanja Q koristiti kao 0-referencu)
  - stegnuti gumb AA
- Umetnuti rez ⑫
  - namjestiti željenu dubinu rezanja
  - uređaj nagnite prema naprijed, s vizirom linije rezanja Q poravnatom sa željenom linijom reza označenom na izratku
  - otvoriti donji štitnik F s polugom G
  - neposredno prije zarezivanja lista pile u izradak, uključiti uređaj i polako spustiti stražnji dio uređaja uz primjenu prednjeg ruba podnožja kao točke naliježanja
  - uređaj postupno spustiti prema dolje i istodobno pomaknuti prema naprijed
  - čim list pile zareže materijal, otpustiti polugu G**! električni alat nikada ne pomicati prema natrag**
- Rezanje velikih ploča odnosno tabli ⑬
  - ploču osloniti blizu linije rezanja ili na pod, na stol ili radni stol**! dubinu rezanja tako namjestiti da se ploča proreže a da ne zareže oslonac**
  - ukoliko bočni graničnik ne omogućava željenu širinu rezanja, ravnu drvenu letvu stegnuti na izradak ili zabiti čavlima, koja služi kao vodilica rezanja i vodi uređaj s desnom stranom podnožja na ovoj letvi za vođenje

## ODRŽAVANJE / SERVISIRANJE

- Ovaj uređaj nije namijenjen profesionalnoj upotrebi
- Održavajte čistim uređaj i kabel (osobito otvore za hlađenje AB)  
**! prije čišćenja treba izvući mrežni utikač**
- Područje oko donjeg štitnika F ② održavajte čistim (uklonite prašinu i strugotine otpuhavanjem komprimiranim zrakom ili četkom)

- List pile očistiti neposredno nakon korištenja (npr. od ostataka smole)
- Ako bi uređaj unatoč brižljivih postupaka izrade i ispitivanja ipak prestao raditi, popravak treba prepustiti ovlaštenom servisu za SKIL električne alate
  - uređaj treba **nerastavljeno** predati, zajedno s računom o kupnji u najbližu SKIL ugovornu servisnu radionicu (popise servisa, kao i oznake rezervnih dijelova uređaja možete naći na adresi [www.skil.com](http://www.skil.com))
- Imajte na umu kako jamstvo ne obuhvaća štete nastale zbog preopterećenja ili nepravilnog rukovanja alatom (za uvjete iz SKIL jamstva, posjetite [www.skil.com](http://www.skil.com) ili upitajte svog prodavača)

## ZAŠTITA OKOLIŠA

- **Električne alate, pribor i ambalažu ne bacajte u kućni otpad** (samo za EU-države)
  - prema Europskoj direktivi 2012/19/EG o staroj električnoj i elektroničkoj opremi i njenoj primjeni u skladu sa nacionalnim zakonom, istrošeni električni alati moraju se sakupljati odvojeno i odvesti u posebne pogone za reciklažu
  - na to podsjeća simbol ⑤ kada se javi potreba za odlaganjem

## BUKA / VIBRACIJA

- Mjerene u skladu s normom EN 62841, razina zvučnog tlaka ovoga alata je 97,0 dB(A), razina zvučne snage 108,0 dB(A) (nesigurnost K = 3 dB), a vibracija \* (troaksijalna vektorska suma; nesigurnost K = 1,5 m/s<sup>2</sup>)
  - \* rezanje drva 4,0 m/s<sup>2</sup>
  - \* rezanje metala 2,8 m/s<sup>2</sup>
- Razina emitiranja vibracija izmjerena je sukladno normiranom testu danom u EN 62841; ona se može koristiti za usporedbu jedne alatke s drugom, te preliminarnu procjenu izloženosti vibracijama pri uporabi alatke za navedene namjene
  - uporaba ove alatke za druge namjene ili s drugim ili slabo održavanim nastavcima, može u značajnoj mjeri **uvećati** razinu izloženosti
  - vrijeme tokom kojega je alatka isključena, ili je uključena ali se njome ne radi, može značajno **umanjiti** razinu izloženosti**! zaštitite se od posljedica vibracija održavanjem alatke i njezinih nastavaka, održavanjem Vaših ruku toplima, te organiziranjem Vaših obrazaca rada**

(SRB)

Kružna testera

5820/5830

## UPUTSTVO

- Ovaj električni alat je namenjen za sečenje drveta po dužini i po širini, pravolinijski i pod uglom do 50°; odgovarajućim testerima; mogu da se seku i materijali koje nisu od gvožđa, nego od lake građe i plastike
- Ovaj alat nije namenjen za profesionalnu upotrebu
- Pažljivo pročitajte i sačuvajte ova uputstva za rukovanje ③

## TEHNIČKI PODACI ①

## ELEMENTI ALATA ②

- A Prekidač
- B Sigurnosni prekidač
- C Dugme za zaključavanje vretana
- D Reza sečiva
- E Štitnik
- F Donji zaštitni mehanizam
- G Ručica za otvaranje donjeg zaštitnog mehanizma
- H Površina za odsecanje
- J Dugme za podešavanje dubine testerisanja
- K Podnožni oslonac
- L Pokazatelj dubine sečenja
- M Dugme za podešavanje ugla sečenja
- N Pokazatelj ugla sečenja
- P Šraf za podešavanje kraja zaustavljanja pod uglom od 90°
- Q Vizir za liniju sečiva
- R Zadnja ručica
- S Prednja ručica
- T Sečivo
- V Skladište za ključ za sečivo
- W Otvor za iverice
- Y Adapter za usisivač
- Z Bočna ograda
- AA Dugme za podešavanje bočne ograde
- AB Prerezi za hlađenje

## SIGURNOST

### OPŠTA SIGURNOSNA UPOZORENJA ZA ELEKTRIČNI ALAT

**UPOZORENJE** Pročitajte sva bezbednosna upozorenja, uputstva, ilustracije i specifikacije priložene uz ovaj električni alat. Ukoliko se ne slede sva uputstva navedena u nastavku može doći do strujnog udara, požara i/ili ozbiljne povrede.

**Sačuvajte sva upozorenja i uputstva za buduću upotrebu.**

Pojam upotrebljen u upozorenjima "električni alat" odnosi se na električne alate sa radom na mreži (sa mrežnim kablom) i na električne alate sa radom na akumulator (bez mrežnog kabla).

#### 1) SIGURNOST NA RADNOM MESTU

- a) **Držite Vaše područje rada čisto i pospremljeno.** Nered ili neosvetljena radna područja mogu voditi nesrećama.
- b) **Ne koristite električni alat tamo gde postoji opasnost od eksplozije kao npr. u prisustvu zapaljivih tečnosti, gasova ili prašine.** Električni alati proizvode varnice, koje mogu zapaliti prašinu ili isparenja.
- c) **Za vreme korišćenja električnog alata držite podalje decu i druge osobe.** Kod skretanja možete izgubiti kontrolu nad alatom.

#### 2) ELEKTRIČNA SIGURNOST

- a) **Utikač električnog alata mora odgovarati utičnici.** Nikada nemojte modifikovati utikač. Ne upotrebljavajte adaptere utikača sa uzemljenim električnim alatom. Nemodifikovani utikači i

odgovarajuće utičnice smanjuju rizik od električnog udara.

- b) **Izbegavajte telesni kontakt sa uzemljenim gornjim površinama, kao što su cevi, grejanja, šporeti i rashladni ormani.** Postoji povećani rizik od električnog udara, ako je Vaše telo uzemljeno.
- c) **Ne izlažite električni alat kiši ili vlažnim uslovima.** Prodor vode u električni alat povećava rizik od električnog udara.
- d) **Ne zloupotrebljavajte kabl. Nikada nemojte koristiti kabl za nošenje i vučenje električnog alata ili za izvlačenje iz utičnice. Držite kabl dalje od vreline, ulja, oštiri ivica ili pokretnih delova.** Oštećeni ili umršeni kablovi povećavaju rizik električnog udara.
- e) **Ako sa nekim električnim alatom radite u prirodi, upotrebljavajte samo produžne kablove koji su dozvoljeni za spoljno područje.** Upotreba produžnog kabla pogodnog za spoljno područje smanjuje rizik od električnog udara.
- f) **Ako rad električnog alata ne može da se izbegne u vlažnoj okolini, koristite prekidač strujne zaštite pri kvaru.** Upotreba prekidača strujne zaštite pri kvaru smanjuje rizik od električnog udara.

#### 3) SIGURNOST OSOBA

- a) **Budite oprezni, pazite na to šta radite i razumno rukujte Vašim električnim alatom. Ne koristite električni alat dok ste umorni ili pod uticajem narkotika, alkohola ili lekova.** Momenat nepažnje kod upotrebe električnog alata može rezultirati ozbiljnim povredama.
- b) **Nosite ličnu zaštitnu opremu i uvek zaštitne naočare.** Nošenje lične zaštitne opreme, kao maske za prašinu, sigurnosne cipele koje ne klizaju, zaštitni šlem ili zaštitu za sluh, zaviso od vrste i upotrebe električnog alata, smanjujete rizik od povreda.
- c) **Sprečite nenamerno puštanje u rad. Pre priključivanja na struju i/ili na akumulatorsku bateriju, podizanja ili nošenja alata uverite se da je prekidač isključen.** Nošenje električnog alata sa prstom na prekidaču ili priključivanje na struju uključenog električnog alata vodi do nesreće.
- d) **Uklonite bilo kakve ključeve za podešavanje ili ključeve za zavrtnjeve, pre nego što uključite električni alat.** Ostavljanje ključa za zavrtnjeve ili ključa prikačene na rotirajući deo električnog alata može rezultirati ličnom povredom.
- e) **Ne zauzimajte neadekvatan položaj. Sve vreme držite ravnotežu i pravilan položaj nogu.** Ovo omogućava bolje upravljanje električnim alatom u neočekivanim situacijama.
- f) **Nosite pogodno odelo. Ne nosite široko odelo ili nakit. Držite kosu i odeću dalje od pokretnih delova.** Opušteno odelo, nakit ili duža kosa mogu biti zahvaćeni od rotirajućih delova.
- g) **Ako se mogu montirati uredjaji za usisavanje prašine i uredjaji za hvatanje prašine, uverite se da li su priključeni i ispravno koriste.** Upotreba usisavanja prašine može smanjiti opasnosti od prašine.
- h) **Ne dozvolite da pouzdanje koje ste stekli čestom upotrebom alata utiče na to da postanete neoprezni i da zanemarite sigurnosne principe za upotrebu alata.** Neoprezno delovanje može prouzrokovati teške povrede u deliću sekunde.

#### 4) BRIŽLJIVO OPHODJENJE I KORIŠĆENJE ELEKTRIČNIH ALATA

- a) **Ne preopterećujte električni alat.** Koristite električni alat koji odgovara Vašoj primeni. Sa odgovarajućim električnim alatom radite bolje i sigurnije tempom za koji je projektovan.
  - b) **Ne upotrebljavajte električni alat, čiji je prekidač u kvaru.** Električni alat koji više ne može da se uključi ili isključi je opasan i mora da se popravi.
  - c) **Izvučite utikač iz utičnice i/ili izvadite akumulatorsku bateriju, ukoliko je to moguće, iz električnog alata pre nego što izvršite bilo kakva podešavanja, promenu pribora ili pre nego što uskladišite električni alat.** Takve preventivne sigurnosne mere smanjuju rizik od slučajnog pokretanja električnog alata.
  - d) **Čuvajte električne alate koje ne koristite izvan domašaja dece i ne dozvoljavajte osobama, koje nisu upoznate sa ovim električnim alatom ili sa ovim uputstvima, da rukuju električnim alatom.** U rukama neobučenih korisnika električni alati postaju opasni.
  - e) **Održavajte električni alat i pribore.** Proverite da li su pokretni delovi u ravni i da li negde zapinju, da nije došlo do lomljenja delova i svako drugo stanje koje može uticati na rad električnog alata. Ukoliko je oštećen, odnesite električni alat na popravku pre korišćenja. Mnoge nesreće su prouzrokovane lošim održavanjem električnih alata.
  - f) **Držite alate za sečenja oštre i čiste.** Brižljivo negovani alati za sečenje sa oštrim sečivima manje slepljuju i lakše se vode.
  - g) **Upotrebljavajte električne alate, pribor, alate koji se umeću itd. prema ovim uputstvima.** Obratite pažnju pritom na uputstva za rad i posao koji treba izvesti. Upotreba električnih alata za druge od propisanih namena može voditi opasnim situacijama.
  - h) **Održavajte drške i prihvatne površine suvim, čistim i bez ostataka ulja ili masnoće.** Klizave drške ili prihvatne površine ne omogućavaju bezbedno rukovanje i upravljanje alatom u neočekivanim situacijama.
- #### 5) SERVISIRANJE
- a) **Vaš električni alat dajte na servisiranje samo kvalifikovanom licu za popravku, koristeći pritom samo identične rezervne delove.** Ovo će osigurati očuvanje bezbednosti električnog alata.

#### SIGURNOSNA UPUTSTVA ZA KRUŽNE TESTERE

##### 1) POSTUPAK TESTERISANJA

- a) **OPASNOST : Ne idite sa Vašim rukama u područje testere i lista testere.** Držite sa Vašom drugom rukom dodatnu dršku ili kućište motora. Ako obe ruke drže testeru, one se ne mogu povrediti od lista testere.
- b) **Nemojte da posežete ispod područja rada.** Zaštitni mehanizam ne može da vas štiti od sečiva ispod područja rada.
- c) **Dubinu sečenja podesite na debljinu područja rada.** Ispod područja rada treba da se vidi manje od celog zupca sečiva.
- d) **Ne držite radni komad koji se seče nikada u ruci ili preko noge.** Osigurajte radni komad na nekom stabilnom pritezaču. Važno je radni komad dobro pričvrstiti, da bi minimizirali opasnost od kontakta sa

telom, stezanja lista testere ili gubitka kontrole.

- e) **Hvatajte električni alat isključivo za izolovane hvataljke, jer oštrice sečiva mogu dodirnuti skrivene električne vodove ili kabl samog alata** (prilikom kontakta oštrica sečiva i vodova pod naponom, metalni delovi električnog alata mogu biti izloženi naponu, usled čega rukovalac može doživeti električni udar)
  - f) **Pri sečenju uvek koristite zaštitnu ogradu ili mehanizam za zaštitu ravne ivice.** Tako ćete poboljšati preciznost sečenja i smanjiti rizik od povezivanja sečiva.
  - g) **Upotrebljavajte uvek listove testere prave veličine i sa odgovarajućim otvorom za prihvat (naprimer u obliku zvezde ili okrugao).** Listovi testere, koji ne odgovaraju montažnim delovima testere, rade ekscentrično i utiču na gubitak kontrole.
  - h) **Nemojte nikada da koristite oštećene ili neispravne zaptivače ili reze za sečivo.** Zaptivači i reze za sečivo su posebno dizajnirani za vašu testeru, radi optimalnih performansi i bezbednosti pri rukovanju.
- #### 2) TRZANJE - UZROCI I ODGOVARAJUĆA UPUTSTVA
- Trzanje predstavlja iznenadnu reakciju na probijanje, udaranje ili loše poravnato sečivo testere, koje izaziva nekontrolisano pomeranje testere sa područja rada i podizanje ka operateru
  - Kada se sečivo probije ili snažno udari prilikom zatvaranja reza, sečivo se zaustavlja i motor ubrzano vodi jedinicu ka operateru
  - Ako se sečivo uvrne ili nije poravnato sa površinom koja se seče, zupci na stražnjoj ivici sečiva mogu da se zabiju u gornju površinu drveta i da izazovu dizanje sečiva iz reza i iskakanje ka operateru
  - Povratna urarac je posledica pogrešne ili manjkave upotrebe električnog pribora. On se može sprečiti pogodnim merama opreza, kao što je dalje opisano.
- a) **Snažno držite ruku na tasteri obema rukama i postavite ruke tako da možete da idržite trzanje.** Telo treba da bude sa jedne strane sečiva, a ne u liniji sa sečivom. Trzaj može da prouzrokuje da testera odskoči unazad, ali silinu trzaja operater može da kontroliše ukoliko su preduzete ispravne mere predostrožnosti.
  - b) **Kada sečivo udari ili ako dođe do prekida sečenja iz bilo kog razloga, otpustite obarač i držite nepokretnu testeru u materijalu sve dok se sečivo sasvim ne zaustavi.** Nikada ne pokušavajte da uklonite testeru sa područja rada ili da povučete testeru unazad kada je sečivo u pokretu ili kada dolazi do trzaja. Istražite i preduzimajte određene akcije za popravljanje, da biste eliminisali uzroke udaranja sečiva. Izbegavajte sečenje eksera i šrafova.
  - c) **Kada ponovo pokrećete testeru koja se nalazi na području rada, centrirajte testeru u rez i uverite se da se zupci testere ne nalaze u materijalu.** Ako sečivo udara, može da dođe do iskakanja iz područja rada ili trzaja kada se testera ponovo pokrene.
  - d) **Ispod velikih ploča stavite podupirač, da biste smanjili rizik od probijanja sečiva i trzaja.** Velike ploče imaju tendenciju da se ugibaju pod sopstvenom težinom. Podupirač mora da se stavi ispod ploče sa obe strane, blizu linije sečenja i blizu ivice ploče.
  - e) **Nemojte da koristite tupo ili oštećeno sečivo.** Nenaoštrena ili nepravilno postavljena sečiva mogu da dovedu do uskog reza i prouzrokovati prekomerno trenje,

udaranje sečiva ili trzanje.

- f) **Ručice za zaključavanje dubine sečenja i podešavanje kosine moraju da budu čvrste i osigurane pre početka sečenja.** Ako se podešavanje za sečivo promeni tokom sečenja, može da dođe do udaranja i trzaja.
- g) **Budite posebno oprezni kod testerisanja u postojeće zidove ili druga nevidljiva područja.** Uronjeni list testere može pri testerisanju u skrivene objekte blokirati i prouzrokovati trzanje.
- 1) **FUNKCIJA DONJE ZAŠTITNE MEHANIZMA**
- a) **Pre svake upotrebe proverite da li je donji zaštitni mehanizam ispravno zatvoren. Nemojte da započinjete rad sa testerom ako se donji zaštitni mehanizam slobodno ne pomera i odmah ne zatvara. Nemojte nikada da stavljate sponu ili povezujete donji zaštitni mehanizam u otvoreni položaj.** Ako se testera slučajno ispusti, donji zaštitni mehanizam mora da se savije. Iskopčajte utikač, podignite donji zaštitni mehanizam sa ručicom za uvlačenje i proverite da li se slobodno pomera i ne dodiruje sečivo ili bilo koji deo, pod svim uglovima i u svim dubinama sečenja.
- b) **Proverite oprugu donjeg zaštitnog mehanizma. Ako zaštitni mehanizam i opruga ne funkcionišu ispravno, moraju da se servisiraju pre upotrebe.** Donji zaštitni mehanizam će možda funkcionisati sporo zbog oštećenih delova, naslaga gume ili povećanja krhotina.
- c) **Donji zaštitni mehanizam treba ručno da se uvuče samo za posebne vrste sečenja, na primer za uronjeno i složeno sečenje. Podignite donji zaštitni mehanizam povlačenjem ručice i čim sečivo dodirne materijal, donji zaštitni mehanizam mora da se otpusti.** Za sve ostale vrste sečenja donji zaštitni mehanizam se automatski pokreće.
- d) **Uvek proverite da li donji zaštitni mehanizam prekriva sečivo pre nego što spustite testeru na klupu ili pod.** Nezaštićeno, rotirajuće sečivo može da prouzrokuje da se testera pokreće unazad i da iseče sve što joj se nađe na putu. Obratite pažnju na vreme potrebno da se sečivo zaustavi nakon što se prekidač otpusti.

## DODATNA SIGURNOSNA UPUTSTVA

- Naleti struje dovode do kratkotrajnih padova napona; pod nepovoljnim uslovima napajanja može da bude pogođena druga oprema (ako je impedanca napajanja el. energijom manja od 0,468 oma, ne postoji verovatnoća da će doći do poremećaja); ako vam je potrebno dodatno objašnjenje, možete se obratiti vašem lokalnom organu za snabdevanje el. energijom

## OPŠTA

- Ovaj alat ne treba da koriste osobe ispod 16 godina
- Ovaj alat nije podesan za vlažno sečenje
- **Obavezno iskopčajte alat iz električne utičnice pre nego što izvršite bilo kakva podešavanja ili zamenu pribora**
- Nikada nemojte koristiti alat kada je kabl oštećen; on mora da se zameni posebnim kablom koji je dostupan u servisnoj organizaciji.
- **Ne obradjujte nikakav materijal koji sadrži azbest** (azbest važi kao izazivač raka)

- Prašina od materijala, kao što su boja koja sadrži olovo, neke vrste drveta, minerali i metal, može biti opasna (dodir ili udisanje prašine može prouzrokovati alergijske reakcije i/ili respiratorna oboljenja rukovoaca i lica u blizini); **nosite masku protiv prašine i radite uz uključeni uređaj za ekstrakciju prašine kada radite na mestima gde ju je moguće priključiti**
  - Određene vrste prašine su klasifikovane kao kancerogene (kao što su prašina hrastovine i bukovine), posebno u sadejstvu sa aditivima za pripremu drveta; **nosite masku protiv prašine i radite uz uključeni uređaj za ekstrakciju prašine kada radite na mestima gde ju je moguće priključiti**
  - Prati nacionalne propise vezane za prašinu koja se proizvodi prilikom rada na obradivim materijalima
  - Koristite samo sto za rad koji je opremljen prekidačem koji sprečava ponovno pokretanje motora nakon prekida napona
  - Koristite samo sto za rad koji je opremljen vodičem reza
- ## PRIBOR
- SKIL može priznati garanciju samo ukoliko je korišćen originalni pribor
  - Upotrebjavajte samo listove testere, koji odgovaraju karakteristikama koje su navedene u ovom uputstvu za rad i prekontrolisani prema EN 847-1 i odgovarajuće obeleženi
  - Koristite samo pribor čija je dozvoljena brzina u najmanju ruku jednaka najvećoj brzini pri praznom hodu električnog alata
  - Koristite isključivo listove testere minimalnog prečnika 184 mm, maksimalnog prečnika 184 mm, i sa otvorom za vreteno širine 16 mm (**5820**)
  - Koristite isključivo listove testere minimalnog prečnika 190 mm, maksimalnog prečnika 190 mm, i sa otvorom za vreteno širine 16 mm (**5830**)
  - Nemojte nikada da koristite testere napravljene od HSS čelika
  - Uz ovaj električni alat nikad nemojte da koristite diskove za oštrenje/sečenje

## PRE UPOTREBE

- Uvek se uverite da je napon struje isti kao i napon naveden na pločici sa nazivom alatu
- Izbegavajte oštećenja od šrafova, eksera i drugih predmeta na vašem području rada; uklonite ih pre nego što započnete rad
- Pre nego što započnete sečenje, uklonite sve prepreke na vrhu, kao i ispod putanje sečenja
- **Obezbedite radni predmet** (radni predmet stegnut pomoću stega ili nečeg sličnog je mnogo stabilniji nego kada se drži rukom)
- **Koristite odgovarajuće aparate za proveru dali se u zidu koji budimo nalaze skrivene instalacije, ili za taj posao nađite odgovarajuće preduzeće** (kontakt sa električnim vodovima može izazvati požar ili električni udar; oštećenje gasovoda može izazvati eksploziju; probijanje cevi sa vodom uzrokuje štete ili može izazvati električni udar)
- Produžni kabl koji koristite mora da bude sasvim odmotan i siguran, sa kapacitetom od 16 A

## TOKOM UPOTREBE

- Buka koju alat proizvodi tokom rada može da premaši 85 dB(A); nosite zaštitu za sluh
- Nemojte nikada da koristite električni alat bez originalnog sistema za zaštitu
- Ne pokušavajte da sečete veoma mala područja rada
- Nemojte da radite sa ovim alatom iznad glave

- U slučaju atipičnog ponašanja ili nepoznatih zvukova odmah isključite alat i izvucite prekidač iz struje
- Ako se kabl ošteti ili preseče u toku rada, odmah ga iskopčajte i nemojte ga dodirivati

#### NAKON UPOTREBE

- Kada završite rad sa alatom, isključite motor i proverite da li su se zaustavili svi pokretni delovi
- Nakon isključivanja kružne testere, nemojte nikada da zaustavljate obrtanje sečiva testere primenom bočne sila

#### OBJAŠNENJE SIMBOLA NA ALATU

- ③ Pročitajte uputstvo za korišćenje pre prve upotrebe
- ④ Dvostruka izolacija (nije potrebna žica za uzemljenje)
- ⑤ Alat ne odlažite u kućne otpatke

## UPUTSTVO ZA KORIŠĆENJE

- Postavljanje sečiva testere ②
  - ! **iskopčajte utikač**
  - izvadite ključ za sečivo T iz skladišta V
  - pritisnite dugme za zaključavanje vretena C i držite ga pritisnuto dok uklanjate rezu sečiva D sa sečivom T
  - ! **dugme za zaključavanje vretena C pritisnite kada se električni alat sasvim zaustavi**
  - otpustite dugme za zaključavanje vretena C
  - uklonite štitnik E
  - ! **proverite da li su površine sa sponama H štitnika potpuno čiste i okrenite sečivo**
  - otvorite donji zaštitni mehanizam F pomoću ručice G i zadržite je prilikom montiranja lista testere; strelica utisnuta na sečivu mora da bude usmerena isto kao i strelica na gornjem zaštitnom mehanizmu
  - otpustite donji zaštitni mehanizam F
  - postavite štitnik E
  - pritisnite dugme za zaključavanje vretena C i držite ga pritisnuto dok pričvršćujete rezu sečiva pomoću ključa za 1/8 okreta nakon što zategnete prstima (tako se osigurava klizanje sečiva testere kada dođe do prekomernog otpora i zbog toga opterećenja motora i trzanja testere)
  - otpustite dugme za zaključavanje vretena C
- Podešavanje dubine sečenja ⑥
  - radi optimalnog kvaliteta sečenja, sečivo testere ne bi trebalo da bude duže od 3 mm ispod područja rada
  - otpustite dugme J
  - podignite/spustite stopu K dok ne podesite željenu dubinu sečenja na skali korišćenjem indikatora L
  - pričvrstite dugme J
- Podešavanje ugla sečenja (0-50°) ⑦
  - otpustite dugme M
  - naginjte alat dok ne podesite željeni ugao sečenja korišćenjem indikatora N
  - pričvrstite dugme M
  - ! **pri kosom sečenju, dubina sečenja ne odgovara vrednosti prikazanoj na skali za dubinu sečenja**
- Provera ugla sečenja od 90° ⑦
  - podesite i pričvrstite stopu K na maksimalnu dubinu sečenja ⑥
  - podesite i pričvrstite ugao sečenja na 0°
  - proverite ugao od 90° između sečiva i dna stope pomoću kvadrata
  - ako je podešavanje potrebno, otpustite dugme M i koristiti zavrtnj za podešavanje P kao što je prikazano na slici

- Podešavajući vizir za liniju sečenja Q ⑧
  - za vođenje električnog alata duž željene linije označene na području rada
  - za ravno sečenje pod uglom od 0° ili koso sečenje pod uglom od 45° koristite liniju indikatora
  - ! **širi deo stope bi trebalo da stoji na podupiraču na području rada**
  - može da se podesi da bi se uklopilo sa različitim širinama sečiva testere, međutim moguće je da se jedna strana sečiva testere na poravna, onda možete da izaberete da li otpadni materijal da pada sa unutrašnje ili spoljne strane sečiva ⑧
  - ! **širina sečenja se određuje širinom zubaca sečiva, a ne širinom sečiva**
  - ! **uvek prvo izvedite probno sečenje, da biste proverili stvarnu liniju sečenja**
- Usisavanje prašine
  - priključite usisivač na produžetak Y ⑨
  - ! **nikada nemojte da dozvolite da crevo usisivača dođe u dodir sa donjim zaštitnim mehanizmom ili operacijom sečenja**
- Rukovanje alatom ⑨
  - uključite utikač u izvor napajanja
  - uvek jednom rukom čvrsto držite ručicu R, a drugom snažno držite ručicu S
  - postavite električni alat sa prednjim krajem ravne stope na područje rada
  - ! **proverite da listi testere nisu zakačeni za područje rada**
  - uključite alat tako da prvo pritisnete vijak B (= zaštitni vijak koji se ne može zaključati), a zatim povučete okidač A
  - ! **električni alat bi trebalo da bude u punoj brzini pre nego što sečivo dodirne područje rada**
  - donji zaštitni mehanizam F se automatski otvara kada sečivo proдре u područje rada (ručno otvorite donji zaštitni mehanizam pomoću ručice G samo za posebne vrste sečenja, na primer za uronjeno sečenje)
  - ! **ne koristite silu dok rukujete alatom (primenite blag i kontinuiran pritisak da biste izbegli pregrevanje vrhova oštrica i, ukoliko sečete plastiku, topljenje plastičnog materijala)**
  - ! **dok radite, uvek držite alat za mesto(a) koje(a) su označena sivom bojom**
  - nakon završetka sečenja, isključite alat otpuštanjem obarača A
  - ! **pre nego što podignete alat sa područja rada, proverite da li je došlo do potpunog prekida rada sečiva**

## SAVETI ZA PRIMENU

- Dobru stranu područja rada uvek okrenite nadole, da biste osigurali minimalno cepanje
- Koristite samo oštra sečiva, pravog tipa ⑩
  - kvalitet sečenja se poboljšava sa brojem zubaca
  - sečiva sa karbidnim vrhom ostaju oštra 30 puta duže od običnih sečiva
- Bočna ograda Z ⑪
  - za pravljenje tačnih rezova duž ivice područja rada
  - može da se umetne na bilo koju stranu stope
- Podešavanje bočne ograde
  - otpustite dugme AA

- podesiti željenu širinu sečenja pomoću skale na bočnoj ogradi (koristite vizir za liniju sečenja Q kao molti položaj)
- pričvrstite dugme AA
- Uronjeno sečenje ⑫
  - podesite željenu dubinu sečenja
  - nagnuti alat upravno sa viziorom linije sečenja Q paralelno sa željenom linijom sečenja označenom na radnom predmetu
  - otvorite donji zaštitni mehanizam F pomoću ručice G
  - neposredno pre nego što sečivo dodirne područje rada, uključite električni alat i postepeno spuštajte stražnji kraj alata korišćenjem prednjeg kraja stope kao pokazivača
  - postepeno pomerajte alat nadole i napred
  - čim sečivo dodirne u materijal otpustite ručicu G
  - ! **nemojte nikad da gurate alat unazad**
- Sečenje velikih ploča ⑬
  - postavite ploču blizu sečenja na pod, sto ili na radni sto
  - ! **podesite dubinu sečenja tako da sečete kroz ploču, a ne kroz podupirač**
  - u slučaju da bočna ograda ne omogućava željenu širinu sečenja, zakačite sponom ili ekserom deo drveta na područje rada kao vodič i koristite desnu stranu stope uz ovaj vodič

## ODRŽAVANJE / SERVIS

- Ovaj alat nije namenjen za profesionalnu upotrebu
- Alat i kabl uvek održavajte čistim (posebno otvore za hlađenje AB)
- ! **pre čišćenja iskopčajte kabl iz utičnice**
- Neka prostor oko donjeg štitnika F ② uvek bude čist (uklonite prašinu i opiljke prodruvanjem komprimovanim vazduhom ili četkom)
- Sečivo testere očistite neposredno posle upotrebe (posebno od smole i lepka)
- Ako bi alat i pored brižljivog postupka izrade i kontrole nekada otkazao, popravku mora vršiti neki autorizovani servis za SKIL-električne alate
  - pošaljite **nerastavljeni** alat zajedno sa potvrdom o kupovini vašem nabavljaču ili najbližem SKIL servisu (adrese i oznake rezervnih delova možete naći na [www.skil.com](http://www.skil.com))
- Imajte na umu da za oštećenja nastala usled preopterećenja ili nepravilnog rukovanja neće važiti garancija (za uslove SKIL garancije posetite [www.skil.com](http://www.skil.com) ili pitajte svog prodavca)

## ZAŠTITA OKOLINE

- **Električne alate, pribora i ambalaže ne odlažite u kućne otpatke** (samo za EU-države)
  - prema Evropskoj direktivi 2012/19/EG o staroj električnoj i elektronskoj opremi i njenoj upotrebi u skladu sa nacionalnim pravom, električni alati koji su istrošeni moraju biti sakupljeni odvojeno i dostavljeni pogonu za reciklažu
  - simbol ⑤ će vas podsetiti na to

## BUKA / VIBRACIJE

- Izmeren u skladu sa standardom EN 62841 nivo pritiska zvuka ovog alata je 97,0 dB(A) a nivo jačine zvuka 108,0

dB(A) (neizvesnost K = 3 dB), i vibracija \* (troosni vektorski zbir; neizvesnost K = 1,5 m/s<sup>2</sup>)

\* sečenje drveta 4,0 m/s<sup>2</sup>

\* sečenje metala 2,8 m/s<sup>2</sup>

- Nivo emisije vibracija izmeren je u skladu sa standardizovanim testom datim u EN 62841; on se može koristiti za upoređenje jedne alatke sa drugom, kao i za preliminarnu procenu izloženosti vibracijama pri korišćenju ove alatke za pomenute namene
  - korišćenje alatke u drugačije svrhe ili sa drugačijim ili slabo održavanim nastavcima može značajno **povećati** nivo izloženosti
  - vreme kada je alatka isključena ili kada je uključena, ali se njome ne radi, može značajno **smanjiti** nivo izloženosti

! **zaštitite se od posledica vibracija održavanjem alatke i njenih nastavaka, održavajući Vaše ruke toplim i organizovanjem Vaših radnih obrazaca**

(SLO)

## Krožna žaga

5820/5830

### UVOD

- To orodje je namenjeno za vzdolžno in prečno rezanje lesa, tako za ravne reze, kot pod kotom do 50°; z uporabo ustreznih žaginih listov pa tudi za neželezne kovine, lahke gradbene materiale in plastične mase
- Orodje ni namenjeno profesionalni uporabi
- Preberite in shranite navodila za uporabo ③

## TEHNIŠNI PODATKI ①

### DELI ORODJA ②

- A Sprožilec
- B Varnostno stikalo
- C Gumb za blokado vretena
- D Vijak lista
- E Prirobnica
- F Gibljivi ščit
- G Ročica za odpiranje gibljivega ščita
- H Naležne površine
- J Gumb za nastavitve globine žaganja
- K Ščit
- L Skala globine reza
- M Gumb za nastavitve kota reza
- N Skala kota reza
- P Vijak za nastavitve 90-stopinjske zapore
- Q Vizir linije reza
- R Zadnja ročka
- S Spretna ročka
- T Ključ
- V Ležišče za shranjevanje ključa
- W Izmet za oblance
- Y Adapter za sesalnik
- Z Stransko vodilo
- AA Vijak za nastavitve stranskega vodila
- AB Ventilacijske reže



# VARNOST

## SPLOŠNA VARNOSTNA OPOZORILA ZA ELEKTRIČNA ORODJA

**⚠ OPOZORILO** Preberite vsa varnostna opozorila, navodila in tehnične podatke ter si oglejte slike, ki so priloženi temu električnemu orodju. Neupoštevanje spodaj navedenih navodil se lahko odrazi v električnem udaru, požaru in/ali hudih poškodbah.

Vsa opozorila in navodila shranite, saj jih boste v prihodnosti morda potrebovali.

Pojem "električno orodje", ki se pojavlja v nadaljnjem besedilu, se nanaša na električna orodja z električnim pogonom (z električnim kablom) in na akumulatorska električna orodja (brez električnega kabla).

### 1) VARNOST NA DELOVNEM MESTU

- a) **Poskrbite, da bo Vaše delovno mesto vedno čisto in urejeno.** Nered ali neosvetljena delovna področja lahko povzročijo nezgode.
- b) **Prosimo, da orodja ne uporabljate v okolju, kjer je nevarnost za eksplozije in v katerem se nahajajo gorljive tekočine, plini in prah.** Električna orodja povzročajo iskre, zato se gorljivi prah ali pare lahko vnamejo.
- c) **Ne dovolite otrokom in drugim osebam, da bi se medtem ko delate, približali električnemu orodju.** Druge osebe lahko odvrnejo Vašo pozornost drugim in izgubili boste nadzor nad orodje.

### 2) ELEKTRIČNA VARNOST

- a) **Vtič mora ustrezati električni vtičnici in ga pod nobenim pogojem ne smete spreminjati.** Uporaba adapterskih vtičev v kombinaciji z ozemljena orodja ni dovoljena. Originalni oziroma nespremenjeni vtiči in ustrezne vtičnice zmanjšujejo tveganje električnega udara.
- b) **Izogibajte se telesnemu stiku z ozemljenimi površinami, na primer s cevmi, grelci, štedilniki in hladilniki.** Če je ozemljeno tudi vaše telo, obstaja povečano tveganje električnega udara.
- c) **Zavarujte orodje pred dežjem ali vlago.** Vdor vode v električno orodje povečuje tveganje električnega udara.
- d) **Električnega kabla ne uporabljajte za prenašanje ali obešanje orodja in ne vlecite vtiči iz vtičnice tako, da vlečete za kabel.** Zavarujte kabel pred vročino, oljem, ostrimi robovi in premikajočimi se deli orodja. Poškodovani ali prepleteni kabli povečujejo tveganje električnega udara.
- e) **Če z električnim orodjem delate na prostem, uporabljajte izključno kabelski podaljšek, ki je atestiran za delo na prostem.** Uporaba kabelskega podaljška, primerne za delo na prostem, zmanjšuje tveganje električnega udara.
- f) **Če je uporaba električnega orodja v vlažnem okolju neizogibna, uporabljajte prekinjevalec električnega tokokroga.** Prekinjevalec električnega tokokroga zmanjšuje tveganje električnega udara.

### 3) OSEBNA VARNOST

- a) **Bodite zbrani in pazite, kaj delate.** Dela z električnim orodjem se lotite razumno. Nikoli ne uporabljajte

orodja, če ste utrujeni in če ste pod vplivom mamil, alkohola ali zdravil. En sam trenutek nepazljivosti pri uporabi orodja ima lahko za posledico resne telesne poškodbe.

- b) **Uporabljajte osebna zaščitna sredstva in vedno nosite zaščitna očala.** Uporaba osebnih zaščitnih sredstev, na primer maske proti prahu, nedrsečih zaščitnih čevljev, zaščitne čelade in glušnikov, odvisno od vrste in uporabe električnega orodja, zmanjšuje tveganje telesnih poškodb.
  - c) **Izogibajte se nenamernemu zagonu. Pred priključitvijo električnega orodja na električno omrežje in/ali na akumulator in pred dviganjem ali nošenjem se prepričajte, če je električno orodje izklopljeno.** Prenašanje naprave s prstom na stikalo ali priključitev vklopljenega električnega orodja na električno omrežje je lahko vzrok za nezgodo.
  - d) **Pred vklopom orodja odstranite z nje nastavitvena orodja ali vijačni ključ.** Orodje ali ključ, ki se nahajata na vrtečem se delu električnega orodja, lahko povzročita nezgodo.
  - e) **Ne precenjajte se in poskrbite za varno stojišče in stalno ravnotežje.** Tako boste lahko v nepričakovani situaciji bolje obvladali orodje.
  - f) **Oblecite se primerno. Ne nosite ohlapnih oblačil ali nakita. Las in oblačil ne približujte premikajočim se delom.** Ohlapna oblačila, nakit ali dolgi lasje se lahko ujamejo v premikajoče se dele.
  - g) **Če je možno na orodje namestiti priprave za odsesavanje in prestezanje prahu, pričarajte se, ali so le-te priključene in, če jih pravilno uporabljate.** Uporaba priprave za odsesavanje prahu zmanjšuje zdravstveno ogroženost zaradi prahu.
  - h) **Naj seznanjenost z orodjem, ki jo pridobite s pogosto uporabo, ne bo razlog za to, da postanete lahkomišeln in ignorirate varnostna načela.** V deliču sekunde lahko nepozorno dejanje pripelje do hude poškodbe.
- ### 4) RAVNANJE IN NEGA ROČNEGA ORODJA
- a) **Ne preobremenjujte orodja. Za določeno delo uporabljajte električno orodje, ki je predvideno za opravljanje tega dela.** Z ustreznim električnim orodjem boste delo opravili bolje in varneje, ker je bilo v ta namen tudi konstruirano.
  - b) **Električno orodje, ki ima pokvarjeno stikalo, ne uporabljajte.** Električno orodje, ki ga ni možno vklopiti ali izklopiti, je nevarno in ga je potrebno popraviti.
  - c) **Izvlcite vtiči iz vtičnice in/ali odstranite akumulatorsko baterijo, če jo je mogoče izvzeti, še preden orodje popravljate, menjujete pribor ali ga shranite.** Ti preventivni varnostni ukrepi zmanjšajo tveganje za nenamenski zagon orodja.
  - d) **Kadar orodja ne uporabljate ga shranjujte izven dosega otrok.** Osebam, ki orodja ne poznajo ali niso prebrale teh navodil, orodja ne dovolite uporabljati. Električna orodja so nevarna, če jih uporabljajo neizkušene osebe.
  - e) **Vzdržujte električna orodja in pribor.** Preverite, če premikajoči se deli orodja delujejo brezhibno in če se ne zatikajo, oziroma, če kakšen del orodja ni zlomljen ali poškodovan do te mere, da bi oviral njegovo delovanje. Pred nadaljnjo uporabo je potrebno poškodovani del popraviti. Vzrok za številne

nezgode so ravno slabo vzdrževana električna orodja.

- f) **Rezalna orodja naj bodo ostra in čista.** Skrbno negovana rezalna orodja z ostrimi rezili se manj zatikajo in so boljje vodljiva.
  - g) **Električna orodja, pribor, nastavke in podobno uporabljajte v skladu s temi navodili. Pri tem upoštevajte delovne pogoje in vrsto dela, ki ga nameravate opraviti.** Zaradi uporabe električnega orodja v druge, nepredvidene namene, lahko nastanejo nevarne situacije.
  - h) **Ročaji in površine za prijetanje naj bodo suhe, čiste in brez olja ali maščobe.** Gladki ročaji in površine za prijetanje ne omogočajo varne uporabe in nadzora orodja v nepričakovanih situacijah.
- 5) **SERVISIRANJE**
- a) **Popravilo orodja lahko opravi samo usposobljena strokovna oseba in to izključno z originalnimi nadomestnimi deli.** Le tako bo ohranjena nadaljnja varnost orodja.

## VARNOSTNA NAVODILA ZA KROŽNE ŽAGE

### 1) POSTOPEK ŽAGANJA

- a) **NEVARNO : Ne približujte rok področju žaganja in žaginemu listu. Drugo roko imejte na dodatnem ročaju ali ohišju motorja.** Če boste žago držali z obema rokama, ju žagin list ne bo mogel poškodovati.
  - b) **Ne segajte pod obdelovanec.** Pod obdelovancem vas gibljivi ščit ne more ščititi pred rezilom.
  - c) **Nastavite globino reza glede na obdelovanec.** Izpod obdelovanca naj gleda manj kot cel zob rezila.
  - d) **Obdelovanec, ki ga želite žagati, v nobenem primeru ne smete držati z roko ali nad nogo.** Obdelovanec stabilizirajte v nasedu. Pomembno je, da obdelovanec dobro pritrdite in s tem zmanjšajte nevarnost, ki nastane s telesnim stikom, zaradi obličenja žaginega lista ali zaradi izgube kontrole.
  - e) **Prijemajte samo izolirane dele orodja, saj lahko med uporabo orodja pride do stika rezila in skrite napeljave ali kabla naprave** (ob stiku rezil in vodnika pod napetostjo lahko pride do nastanka napetosti tudi na nezaščitene kovinskih delih orodja, kar lahko povzroči nevarnost električnega udara za uporabnika)
  - f) **Pri daljših rezih vedno uporabite stransko vodilo.** To izboljša natančnost reza in zmanjša možnost zaustavljanja rezila.
  - g) **Vedno uporabljajte žagine liste prave velikosti in primerne prijemalne odprtine (na primer zvezdaste ali okrogle).** Žagin listi, ki se me prilagajajo montažnim delom žage, se vrtijo neenakomerno in povzročijo izgubo nadzora.
  - h) **Nikoli ne uporabljajte poškodovanih ali neustreznih vijakov ali podložk za pritrjevanje rezila.** Za optimalno delo in varnost uporabnika so podložke za vašo žago posebej konstruirane.
- 2) **POVRATNI SUNEK - VZROKI IN USTREZNA NAVODILA**
- Povratni sunek je nenadna reakcija na stisnjen, zavrt ali napačno obrnjen žagin list, ki povzroči nenadzorovan sunek žage iz obdelovanca navzgor proti uporabniku
  - Če je žagin list stisnjen v obdelovancu ali pa se zaradi zapiranja reza na zadnji strani močno zagodzi vanj, se žagin list zaustavi, delujoč motor pa povzroči nenaden

sunek proti uporabniku

- Če je žagin list pri rezanju zviti ali ni vzporeden z vodilom, se lahko zobje na zadnjem delu lista močno zarijejo na vrhno stran lesa kar povzroči dvig žaginega lista iz reza in sunek proti uporabniku
  - Povratni udarec je posledica napačne ali pomanjkljive uporabe električnega orodja. Preprečite ga lahko z ustreznimi previdnostnimi ukrepi. Navedeni so v nadaljevanju besedila.
- a) **Čvrsto držite žago z obema rokama in s položajem vaših rok preprečite moč povratnih sunkov. Položaj telesa naj bo na eni ali drugi strani rezila in ne na sredini linije reza.** Povratni sunek bi lahko povzročil sunek žage nazaj, vendar je moč povratnih sunkov lahko nadzorovana s strani uporabnika z upoštevanjem varnostnih ukrepov.
  - b) **Kadar se rezilo zaustavlja ali kadar se rezanje iz kakršnegakoli vzroka prekinja, spustite gumb in nepremično držite žago v obdelovancu dokler se rezilo ne zaustavi. Nikoli ne poskušajte odmakniti žage iz obdelovanca ali povleči žago nazaj dokler se rezilo vrti, ker lahko pride do povratnega sunka.** Raziščite in odpravite vzroke zaustavljanja. Izogibajte se rezanju žebeljev ali vijakov.
  - c) **Pri ponovnem začetku rezanja postavite rezilo žage v rez in preverite, da se zobje rezila ne dotikajo obdelovanca.** Če se bo rezilo žage pri ponovnem začetku zaustavljalo, bo rezilo sililo navzgor iz obdelovanca ali pa bo prišlo do povratnega sunka.
  - d) **Podprite večje plošče, da zmanjšate nevarnost stiskanja ali povratnega sunka.** Večje plošče se zaradi svoje teže povešajo. Podprtje mora biti pod ploščami na obeh straneh, blizu linije reza in blizu robu plošče.
  - e) **Ne uporabljajte topih ali poškodovanih rezil.** Neostra in nepravilno nameščena rezila napravijo ozek rez, ki povzroča pretirano trenje, zaustavljanje in povratni sunek.
  - f) **Pred rezanjem morata biti vodili nastavitve globine reza in naklona reza čvrsto in varno pritrjeni.** Če se nastavitev reza med delom premakne, to lahko povzroči zaustavljanje ali povratni sunek.
  - g) **Bodite posebej previdni pri žaganju v obstoječe stene ali območja, ki jih ne vidite.** Potopljen žagin list se lahko pri žaganju v skrite objekte zablokira in to lahko povzroči povratni sunek.
- 1) **FUNKCIJA GIBLJIVEGA ŠČITA**
- a) **Pred vsako uporabo preverite pravilno delovanje gibljivega ščita. Ne uporabljajte žage, če se gibljivi ščit ne giblje prosto ali se takoj ne vrne v osnovni položaj. Nikoli ne pripnite ali privežite gibljivi ščit v odprtem položaju.** Če žaga po nesreči pade, je gibljivi ščit lahko skriviljen. Izključite vtičnik, dvignite gibljivi ščit s potegom ročice in se prepričajte, da se prosto giblje in se ne dotika rezila ali ostalih delov v celotnem območju njegovega pomika.
  - b) **Preverite delovanje vzmeti gibljivega ščita. Če gibljivi ščit in vzmet ne delujeta pravilno, ju je pred uporabo potrebno popraviti.** Gibljivi ščit se lahko giblje počasno tudi zaradi poškodovanih delov, smolnatih strdkov, ostankov malt.
  - c) **Gibljivi ščit se lahko ročno premakne le pri posebnih rezih kot npr. potopnih rezih ali poravnalnih rezih. Dvignite gibljivi ščit s potegom ročice - ko rezilo zarezje v obdelovanec, gibljivi ščit**

**sprostite.** Pri ostalih načinih žaganja naj gibljivi ščit deluje samodejno.

- d) **Vedno pazite, da gibljivi ščit pokrije rezilo pri postavljanju žage na delovno mizo ali tla.** Nezaščiten in vrteče se rezilo bo povzročilo poskakovanje žage in poškodbo vsega, kar je na njeni poti. Pazite na čas od izključitve orodja do zaustavitve rezila.

## DODATNA VARNOSTNA NAVODILA

- Navalni tokovi povzročajo kratkotrajne padce napetosti; v slabih pogojih oskrbe z električno energijo se lahko poškoduje ostala oprema (če je impedanca oskrbe z električno energijo nižja od 0,468 ohma, do motenj verjetno ne bo prišlo); če potrebujete nadaljnja pojasnila, se lahko obrnete na vašega lokalnega dobavitelja električne energije

## SPLOŠNO

- Orodja naj ne bi uporabljale osebe mlajše od 16 let
- To orodje ni primerno za mokro rezanje
- **Vedno izvlecite električni vtičak iz vtičnice preden spreminjate nastavitve ali menjate pribor**
- Orodja ne smete nikoli uporabljati s poškodovanim kablom. Kabel morate zamenjati s posebej pripravljenim kablom, ki je na voljo pri servisnem podjetju.
- **Ne obdelujte materiala, ki vsebuje azbest** (azbest povzroča rakasta obolenja)
- Prah materialov, kot so barve, ki vsebujejo svinec, nekatere vrste lesa, mineralov ali kovin so lahko škodljivi (ob stiku ali vdihavanju lahko prah pri delavcu ali pri drugih prisotnih povzroči alergijsko reakcijo in/ali boleznijo dihal); **nosite masko za prah in pri delu uporabljajte napravo za odsesavanje prahu, kjer je le-to možno priključiti**
- Nekatero vrsto prahu so klasificirane kot kancerogene (kot npr. prah hrasta in bukve) še posebno ob sočasni uporabi z dodatki za obdelavo lesa; **nosite masko za prah in pri delu uporabljajte napravo za odsesavanje prahu, kjer je le-to možno priključiti**
- Upoštevajte nacionalne zahteve glede prahu za materiale katere želite obdelovati
- Uporabljajte delovne mize le z vgrajenim stikalom, ki ob prekinitvi električnega napajanja preprečuje samodejen start motorja
- Uporabljajte mize le z vgrajenim razpornim klinom

## PRIBOR

- SKIL zagotavlja brezhibno delovanje orodja le z uporabo originalnega dodatnega pribora
- Uporabite samo žagine liste, ki ustrezajo karakteristikam, navedenim v teh navodilih za uporabo, in ki so preizkušeni po EN 847-1 ter ustrezno označeni
- Uporabljajte lahko dodatni pribor, katerega dovoljena hitrost je najmanj enaka največji hitrosti orodja
- Uporabljajte samo liste žage s premerom najmanj 184 mm in največ 184 mm ter luknjo za vreteno premera 16 mm (**5820**)
- Uporabljajte samo liste žage s premerom najmanj 190 mm in največ 190 mm ter luknjo za vreteno premera 16 mm (**5830**)
- Nikoli ne uporabljajte žaginih listov, ki so izdelani iz hitroreznega jekla (HSS)
- S tem orodjem nikoli ne uporabljajte brusilnih ali rezalnih plošč

## PRED UPORABO

- Vedno preverite, če je napetost omrežja enaka napetosti, ki je navedena na tablici orodja
- Izogibajte se poškodb zaradi vijakov, žebeljev ali drugih elementov v obdelovancu; odstranite jih pred začetkom dela
- Odstranite ovire nad in pod linijo reza že pred začetkom žaganja
- **Zavarujte obdelovanec** (obdelovanec stisnjen v prižemi ali prirežu je bolj varen kot v roki)
- **Za iskanje skritih električnih, plinskih in vodovodnih cevi uporabite primerne iskalne naprave (detektorje) ali se posvetujte z lokalnimi podjetji** (stik z električnimi vodniki lahko povzroči požar ali električni udar; poškodbe plinovoda lahko povzročijo eksplozijo, vdor v vodovodno omrežje pa materialno škodo ali električni udar)
- Uporabljajte povsem iztegnjene in varne električne podaljške, z jakostjo 16 amperov

## MED UPORABO

- Med delom lahko nivo hrupa presega 85 dB(A); uporabljajte zaščito proti hrupu
- Nikoli ne uporabljajte orodja brez originalnega sistema zaščite
- Ne poskušajte žagati zelo majhnih kosov
- Ne uporabljajte orodja za dela nad glavo
- V primeru električnih ali mehanskih motenj takoj izključite orodje in izvlecite vtičak iz vtičnice
- Če je priključni kabel poškodovan ali se med delom pretрга se ga ne dotikajte, temveč takoj potegnite električni vtičak iz vtičnice

## PO UPORABI

- Ko orodje postavite v stran, izklopite motor in pazite, da se vsi premikajoči se deli orodja popolnoma zaustavijo
- Po izključitvi krožne žage, nikoli ne zavirajte vrtenja žaginega lista z bočno silo

## POJASNILO OZNAK NA ORODJU

- ③ Pred uporabo preberite navodila za uporabo
- ④ Dvojna izolacija (ozemljitveni kabel ni potreben)
- ⑤ Orodja ne odstranjujte s hišnimi odpadki

## UPORABA

- Namestitev rezila žage ②
- **! izključite vtičak**
  - vzemite ključ T, ki je shranjen v ležišču V
  - pritisnite gumb za blokado vretena C in ga držite medtem, ko s ključem T odvijate vijak D
- **! gumb za blokado vretena C pritisnite, ko je orodje popolnoma zaustavljeno**
  - sprostite gumb za blokado vretena C
  - odstranite prirobnico E
- **! prepričajte se, da so naležne površine prirobnic H popolnoma čiste in obrnjene proti listu**
  - odprite gibljivi ščit F z vzvodom G in ga držite medtem, ko namestite žagin list; žagin list namestite tako, da zobje lista in na njem natisnjena puščica kažejo v isto smer kot puščica na zgornjem ščitu
  - sprostite gibljivi ščit F
  - namestite prirobnico E
  - pritisnite gumb za blokado vretena C in ga držite, medtem s ključem pritegnite vijak lista za 1/8 vrtljaja več kot z roko (to zagotavlja zdrs lista, če le ta naleti na premočno oviro; tako se zmanjša preobremenitev motorja in povratni sunek žage)
  - sprostite gumb za blokado vretena C

- Nastavitev globine reza ⑥
  - za optimalno kvaliteten rez naj list žage ne sega iz obdelovanca več kot 3 mm
  - popustite gumb J
  - naravnajte/spustite podnožje K do nastavitve zelene globine z uporabo skale L
  - pritrдите gumb J
- Nastavitev kota reza (0 - 50°) ⑦
  - popustite gumb M
  - nagnite orodje do nastavitve zelenega kota reza z uporabo skale N
  - pritrдите gumb M

**! pri poševnem rezu, globina reza ne ustreza označeni globini na skali**

- Preverjanje kota reza pri 90° ⑦
  - nastavite in pritrдите podnožje K v položaj maksimalne globine reza ⑥
  - naravnajte in pritrдите kot reza na 0°
  - s kotnikom preverite, če kot med žaginim listom in spodnjo stranjo podnožja ustreza 90°
  - če je potrebna nastavitve, popustite gumb M in uporabite nastavitveni vijak P, kot je prikazano
- Nastavljiv vizir linije reza Q ⑧
  - pri vodenju orodja po črti reza na obdelovancu
  - indikator linije reza uporabite pri ravnih rezih (0°) ali poševnih rezih (45°)

**! širši del sani vodimo po podprtem delu obdelovanca**

- Lahko ga nastavite tako, da je poravnani z različnimi širinami žaginskih listov. Če ena stran žaginega lista ne bo poravnana, izberite, ali naj bo odpadni material na notranji ali zunanji strani lista ⑧

**! širina reza je določena s širino zob žaginega lista in ne z debelino telesa lista**

**! vedno najprej napravite poskusne reze za preverjanje dejanske črte reza**

- Odsesavanje prahu
    - priključite sesalnik na stranski priključek Y ⑨
- ! cev sesalnika ne sme nikoli ovirati gibljivega ščitja ali samega rezanja**

- Upravljanje orodja ⑨
  - vključite vtičač v vtičnico
  - vedno čvrsto držite z eno roko ročaj R in z drugo roko ročaj S
  - položite orodje s sprednjim delom podnožja na obdelovanec

**! zagotovite, da se zobje žaginega lista ne dotikajo obdelovanca**

- orodje vključite tako, da najprej stisnete gumb B (varnostno stikalo, katero ne sme biti blokirano), nato pa pritisnete gumb A

**! orodje naj doseže polno hitrost, preden list žage zareže v obdelovanec**

- gibljivo ščit F se odpre samodejno, ko pričnemo z rezanjem (vzvod za dvig gibljivega ščitja G uporabljajte le v izjemnih primerih rezanja - potopni rezi)

**! z orodjem ne ravnajte nasilno (pritisnite rahlo in neprekinjeno, da se izognete pregrevanju konic rezila, v primeru rezanja umetne mase pa tudi topljenju umetne mase)**

**! med delom vedno držite orodje za sivo obarvano mesto oprijema**

- po opravljenem rezu orodje izključimo s sprostitivjo stikala A

**! preprečajte se, da je žagin list popolnoma zaustavljen, preden orodje odmaknete iz obdelovanca**

## UPORABNI NASVETI

- Vedno obrnite boljšo stran obdelovanca navzdol, da zagotovite minimalno trganje obdelovanca
  - Uporabljajte le ostre žagine liste pravih tipov ⑩
    - kvaliteta reza se izboljša z večjim številom zob lista
    - karbidne konice lista ostanejo ostre 30 krat dlje kot običajne konice
  - Stransko vodilo Z ⑪
    - za izvedbo natančnih rezov vzdolž robu obdelovanca
    - na podnožje je lahko nameščeno z leve ali desne strani Nastavitve stranskega vodila
    - popustite gumb AA
    - s pomočjo skale na vodilu izberite zeleno širino reza (uporabite vizir linije reza Q kot nično izhodiščno točko)
    - pritrдите gumb AA
  - Potopno rezanje ⑫
    - nastavite zeleno globino rezanja
    - nagnite orodje naprej, tako da je vizir linije reza Q poravnani z označeno linijo reza na obdelovancu
    - odprite gibljivo ščit F z vzvodom G
    - tik preden žagin list približamo obdelovancu, vključimo orodje in postopoma spuščamo zadnji del žage; pri tem nam naslonjen prednji del žage služi kot tečaj
    - postopoma pomikamo orodje navzdol in tudi naprej
    - ko list doseže obdelovanec, sprostimo vzvod G
  - Rezanje večjih plošč ⑬
    - ploščo podprite blizu reza tako na tleh, mizi kot delovni mizi
- ! nastavite globino reza samo skozi ploščo, ne pa tudi skozi podporo**
- v primeru, da stransko vodilo ne omogoča zelene širine reza, pritrдите ali pribijte raven kos lesa na obdelovanec kot vodilo in uporabite desno stran podnožja za vodenje ob tem vodilu

## VZDRŽEVANJE/SERVISIRANJE

- Orodje ni namenjeno profesionalni uporabi
- Priključni kabel in orodje naj bosta vedno čista (posebej še prezračevalne odprtine AB)
- **! izvlčite vtičač iz vtičnice pred čiščenjem**
- Vedno vzdržujte čistočo območja okoli gibljivega ščitja F ② (prah in odrezke odstranite s preprihovanjem s stisnjenim zrakom ali krtačo)
- Po uporabi takoj očistite žagin list (posebno od smol in lepil)
- Če bi kljub skrbnim postopkom izdelave in preizkušanja prišlo do izpada delovanja orodja, naj popravilo opravi servisna delavnica, pooblaščenca za popravila SKILevih električnih orodij
  - pošljite **nerazstavljeno** orodje skupaj s potrdilom o nakupu pri vašemu prodajalcu v najbližjo SKIL servisno delavnico (naslovi, kot tudi spisek rezervnih delov se nahaja na [www.skil.com](http://www.skil.com))
- Zavedajte se, da garancija ne vključuje poškodb zaradi preobremenitve orodja ali nepravilne rabe (glede SKILovih garancijskih pogojev obiščite [www.skil.com](http://www.skil.com) ali povprašajte prodajalca)

## OKOLJE

- **Elektriline orodja, pribora in emalaže ne odstranijate s hišnimi odpadki** (samo za države EU)
  - v skladu z Evropsko direktivo 2012/19/EG o odpadnih električni in elektronski opremi in z njenim izvajanjem v nacionalni zakonodaji je treba električna orodja ob koncu njihove življenjske dobe ločeno zbirati in jih predati v postopek okoliju prijaznega recikliranja
  - ko je potrebno odstranjevanje, naj vas o načinu spomni simbol ⑤

## HRUP / VIBRACIJA

- Raven zvočnega tlaka tega orodja, ki je bila izmerjena v skladu s standardom EN 62841, je 97,0 dB(A), raven zvočne moči je 108,0 dB(A) (odstopanje K = 3 dB), skupne vrednosti vibracij \* (triosna vektorska vsota; odstopanje K = 1,5 m/s<sup>2</sup>)
    - \* žaganje lesa 4,0 m/s<sup>2</sup>
    - \* žaganje kovine 2,8 m/s<sup>2</sup>
  - Raven oddajanja vibracij je bila izmerjena v skladu s standardiziranimi testi, navedenimi v EN 62841; uporabiti jo je mogoče za primerjavo različnih orodij med seboj in za predhodno primerjavo izpostavljenosti vibracijam pri uporabi orodja za namene, ki so omenjeni
    - uporaba orodja za drugačne namene ali uporaba skupaj z drugimi, slabo vzdrževanimi nastavki lahko znatno **poveča** raven izpostavljenosti
    - čas, ko je orodje izklopljeno ali ko teče, vendar z njim ne delamo, lahko znatno **zmanjša** raven izpostavljenosti
- ! pred posledicami vibracij se zaščitite z vzdrževanjem orodja in pripadajočih nastavkov, ter tako, da so vaše roke tople, vaši delovni vzorci pa organizirani**

EST

**Ketassaag 5820/5830**

## SISSEJUHATUS

- Tööriist on ettenähtud piki- ja ristlõigete tegemiseks puidus otse või kuni 50° kaldenurga all; vastavate saeketatagega on võimalik saagida ka värvilisi metalle, kergeid ehitusmaterjale ja plastmaterjale
- Tööriist pole mõeldud professionaalseks kasutamiseks
- Palun lugege käesolevat kasutusjuhend hoolikalt läbi ja hoidke alles ③

## TEHNILISED ANDMED ①

### SEADME OSAD ②

- A Päästiklüüli
- B Turvalüüli
- C Spindlielukustusnupp
- D Ketta polt
- E Flanš
- F Alumine kettakaitse
- G Alumise kettakaitse avamishoob
- H Klemmpind
- J Nupp saagimissügavuse reguleerimiseks
- K Alusplaat

- L Lõikesügavuse osuti
- M Lõikenurga reguleerimisnupp
- N Lõikenurga osuti
- P Kruvi 90° otsmise tõkesti reguleerimiseks
- Q Lõikejoone-aken
- R Tagumine käepide
- S Eesmine käepide
- T Saeketta võti
- V Saeketta võtme hoiukoht
- W Laastude äratõmbeava
- Y Tolmuimejaadapteri
- Z Paralleeljuht
- AA Paralleeljuhtiku reguleerimisnupp
- AB Õhutusavad

## OHUTUS

### ÜLDISED OHUTUSNÕUDED ELEKTRILISTE TÖÖRIISTADE KASUTAMISEL

**⚠ HOIATUS** Lugege kõiki hoiatusi, juhiseid, kirjeldusi ja spetsifikatsioone, mis käivad tööriistaga kaasas. Kui kõiki allpool loetletud juhiseid ei õnnestu järgida, võite saada elektrilöögi, võib tekkida tulekahju ja/või saada raskelt vigastada.

### Hoidke kõik ohutusnõuded ja juhised edaspidiseks alles.

Allpool kasutatud mõiste "elektriline tööriist" käib võrgutoitega (toitejuhtmega) elektriliste tööriistade ja akutoitega (ilma toitejuhtmeta) elektriliste tööriistade kohta.

#### 1) OHUTUSNÕUDED TÖÖPIIRKONNAS

- a) **Hoidke töökoht puhas ja korras.** Segadus või valgustamata tööpiirkonnad võivad põhjustada õnnetusi.
- b) **Ärge kasutage seadet plahvatusohtlikus keskkonnas, kus leidub tuleohtlikke vedelikke, gaase või tolmu.** Elektrilistest tööriistadest lööb sädemid, mis võivad tolmu või auru süüdata.
- c) **Kui kasutate elektrilist tööriista, hoidke lapsed ja teised isikud töökohest eemal.** Kui Teie tähelepanu kõrvale juhitakse, võib seade Teie kontrolli alt väljuda.

#### 2) ELEKTRIOHUTUS

- a) **Seadme pistik peab pistikupesaga sobima. Pistiku kallal ei tohi teha mingeid muudatusi. Ärge kasutage kaitsemaandusega seadmete puhul adapterpistikuid.** Muutmata pistikut ja sobivat pistikupesad vähendavad elektrilöögi saamise riski.
- b) **Vältige kehakontakti maandatud pindadega, nagu torud, radiaatorid, pliidid ja külmikud.** Kui Teie keha on maandatud, on elektrilöögi risk suurem.
- c) **Hoidke seadet vihma ja niiskuse eest.** Kui elektriseadmesse on sattunud vett, on elektrilöögi saamise risk suurem.
- d) **Ärge kasutage toitejuhet selleks mitte ettenähtud otstarbel seadme kandmiseks, ülesriputamiseks ega pistiku pistikupesast väljatõmbamiseks. Hoidke toitejuhet kuumuse, õli, teravate servade ja seadme liikuva osade eest.** Kahjustatud või keerduläänud toitejuhtmed suurendavad elektrilöögi saamise riski.
- e) **Kui töötate elektrilise tööriistaga vabas õhus, kasutage ainult selliseid pikendusjuhtmeid,**

mida on lubatud kasutada ka välistingimustes. Välistingimustes kasutamiseks sobiva pikendusjuhtme kasutamine vähendab elektrilöögi saamise riski.

- f) **Kui elektrilise tööriista kasutamine niiskes keskkonnas on vältimatu, kasutage maandusega lekkevoolukaitses.** Maandusega lekkevoolukaitsme kasutamine vähendab elektrilöögi ohtu.
- 3) INIMESTE TURVALISUS**
- a) **Olge tähelepanelik, jälgige, mida Te teete, ning toimige elektrilise tööriistaga töötades mõistlikult. Ärge kasutage seadet, kui olete väsinud või uimastite, alkoholi või ravimite mõju all.** Hetkeline tähelepanematus seadme kasutamisel võib põhjustada tõsiseid vigastusi.
- b) **Kandke isikukaitsevahendeid ja alati kaitseprille.** Isikukaitsevahendite, nagu tolmumask, libisemiskindlad turvajalatsid, kaitsekiiver või kuulmiskaitsevahendid, kandmine – sõltuvalt elektrilise tööriista tüübist ja kasutusala – vähendab vigastuste riski.
- c) **Vältige seadme tahtmatut käivitamist. Enne pistiku ühendamist pistikupessa, aku ühendamist seadme külge, seadme ülestõstmist ja kandmist veenduge, et elektriline tööriist on välja lülitatud.** Kui hoiate elektrilise tööriista kandmisel sõrme lülilil või ühendate vooluvõrku sisselülitatud seadme, võivad tagajärjeks olla õnnetused.
- d) **Enne seadme sisselülitamist eemaldage selle küljest reguleerimis- ja mutrivõtmed.** Seadme pöörleva osa küljes olev reguleerimis- või mutrivõti võib põhjustada vigastusi.
- e) **Ärge hinnake end üle. Võtke stabiilne tööasend ja hoidke kogu aeg tasakaalu.** Nii saate seadet ootamatutes olukordades paremini kontrollida.
- f) **Kandke sobivat rõivastust. Ärge kandke laiu riideid ega ehteid. Hoidke juukseid ja rõivad seadme liikuvatest osadest eemal.** Lotendavad riided, ehted või pikad juukseid võivad sattuda seadme liikuvate osade vahele.
- g) **Kui on võimalik paigaldada tolmueemaldus- ja tolmukogumiseadiseid/seadmeid, veenduge, et need oleksid seadmeга ühendatud ja et neid kasutatakse õigesti.** Tolmueemaldusseadise kasutamine vähendab tolmust põhjustatud ohte.
- h) **Ärge muutuge tööriista sagedasest kasutamisest hooletus ja ärge eirake ohutusnõudeid.** Hooletus võib sekundi murdosa jooksul kaasa tuua raskeid vigastusi.
- 4) ELEKTRILISTE TÖÖRIISTADE HOOLIKAS KÄSITSEMINE JA KASUTAMINE**
- a) **Ärge koormake seadet üle. Kasutage töö tegemiseks selleks ettenähtud elektrilist tööriista.** Sobiva elektrilise tööriistaga töötate paremini ja turvalisemalt ettenähtud võimsusvahemikus.
- b) **Ärge kasutage elektrilist tööriista, mille lüliti on rikkis.** Elektriline tööriist, mida ei ole enam võimalik sisse ja välja lülitada, on ohtlik ning seda tuleb remontida.
- c) **Tõmmake pistik pistikupesast välja ja/või eemaldage seadme aku, kui on eemaldatav, enne seadme reguleerimist, tarvikute vahetamist ja seadme ärapanekut.** See ettevaatusabinõu väldib seadme tahtmatut käivitamist.
- d) **Kasutusvälisel ajal hoidke elektrilisi tööriistu lastele kättesaamatult. Ärge laske seadet kasutada isikutel,**

kes seda ei tunne või pole siintoodud juhiseid lugenud. Kogenematute kasutajate käes kujutavad elektrilised tööriistad ohtu.

- e) **Hoolitsege elektriliste tööriistade ja tarvikute eest korralikult. Kontrollige, kas seadme liikuvad osad funktsioneerivad korralikult ja ei kiildu kinni, ning ega mõned osad ei ole katki või sel määral kahjustatud, et võiksid mõjutada seadme töökindlust.** Laske kahjustatud osad enne seadme kasutamist parandada. Paljude õnnetuste põhjuseks on halvasti hooldatud elektrilised tööriistad.
- f) **Hoidke lõiketarvikud teravad ja puhtad.** Hoolikalt hoitud, teravate lõikeservadega lõiketarvikud kiilduvad harvemini kinni ja neid on lihtsam juhtida.
- g) **Kasutage elektrilist tööriista, lisavarustust, tarvikuid jne vastavalt siintoodud juhistele. Arvestage seejuures töötajate ja teostatava töö iseloomuga.** Elektriliste tööriistade kasutamine mitte ettenähtud otstarbel võib põhjustada ohtlikke olukordi.
- h) **Hoidke käepidemed ja haardepinnad kuiva ja puhtana ning vabana õlist ja määrdeainetest.** Libedad käepidemed ja haardepinnad ei luba tööriista ohutult käitseda ja ootamatutes olukordades kontrolli all hoida.
- 5) TEENINDUS**
- a) **Laske seadet parandada ainult kvalifitseeritud spetsialistidel ja ainult originaalvaruosadega.** Nii tagate seadme püsimise turvalisena.

## OHUTUSNÕUDED KETASSAAGIDE KASUTAMISEL

### 1) SAAGIMINE

- a) **ETTEVAATUST : Ärge viige oma käsi saagimispiirkonda ja saeketta lähedusse. Hoidke teise käega lisakäepidemest või mootorikorpusest.** Kui hoiate saagi molema käega, ei saa saeketas Teie käsi vigastada.
- b) **Ärge viige kätt tooriku alla.** Tooriku all ei saa kettakaitse Teid saeketta eest kaitsta.
- c) **Kohandage lõikesügavus tooriku paksusega.** Tooriku all peaks olema saeketast näha vähem kui täishamba ulatuses.
- d) **Ärge hoidke saetavat toorikut kunagi käes ega polve peal. Kinnitage toorik stabiilsele alusele.** Tooriku kinnitamine on oluline, et viia kehaga kokkupuute, saeketta kinnikiildumise ja seadme üle kontrolli kaotuse oht miinimumini.
- e) **Hoidke elektritööriista kinni isoleeritud haardepinnast, kuna lõiketerad võivad puutuda kokku varjatud juhtmete või tööriista enda juhtmega** (voolu all oleva juhtme lõikamisel võivad elektritööriista metallosad pingestuda ja anda kasutajale elektrilöögi).
- f) **Pikisaagimisel kasutage alati paralleeljuhikut või juhtlauda.** See suurendab lõike täpsust ja vähendab saeketta kinnikiildumise ohtu.
- g) **Kasutage alati õige suuruse ja siseava läbimõduga saekettaid (nt tähekujulisi või ümaraid).** Saekettad, mis saaga ei sobi, pöörlevad ebaühtlaselt ja põhjustavad kontrolli kaotuse suurendamist.
- h) **Ärge kunagi kasutage kahjustatud või mittesobivaid saeketta seibe või polte.** Saeketta seibid ja poldid on konstrueeritud spetsiaalselt Teie sae jaoks, tagamaks optimaalset jõudlust ja tööohutust.

## 2) TAGASILÖÖK – PÕHJUSED JA ASJAOMASED OHUTUSNÕUDED

- Tagasilöök on sae ootamatu vastureaktsioon, mis tekib, kui saeketas on kinnikiildunud, kõverdunud või selle liikumine on takistatud ning mille tagajärjel tõuseb saag kontrollimatult töödeldavast detailist välja ja "hüppab" sae kasutaja poole
  - Kui sulguv lõikejalg saeketta kinni kiilub või selle liikumist takistab, aeglustub saeketta pöörlemine ja mootori vastumõju tulemusel liigub saag kiiresti kasutaja poole
  - Kui saeketas lõikamisel väändub või kõverdub, võivad saeketta tagumised hambad takerduda puidu pealmisse kihti, mille tagajärjel tuleb saeketas lõikejalgjst välja ja "hüppab" tagasi sae kasutaja poole
  - Tagasilöök on seadme vale või ebaõige kasutuse tagajärg. Tagasilööki saab sobivate ettevaatusabinõude rakendamisega ära hoida.
- a) **Hoidke saagi tugevalt mõlema käega ja asetage käed selliselt, et suudaksite seista vastu tagasilöögiga kaasnevatele jõududele. Seiske nii, et Teie keha oleks saekettast paremal või vasakul, kuid mitte sellega ühel joonel.** Tagasilöögi mõjul võib saag "hüpata" tagasi, kuid kasutajal on võimalik tagasilöögiga kaasnevaid jõude kontrollida, võttes tarvitusele sobivad ettevaatusabinõud.
- b) **Saeketta kinnikiildumisel või lõike katkestamisel mingil põhjusel vabastage lüliti ja hoidke saagi liikumatult materjali sees, kuni saeketas täielikult seiskub. Ärge kunagi püüdke eemaldada saagi töödeldavast materjalist või tõmmata saagi tagasi, kui saeketas pöörleb või võib toimuda tagasilöök.** Uurige olukorda ja võtke tarvitusele meetmed, et kõrvaldada saeketta kinnikiildumise põhjus. Väitige naelte või kruvide saagimist.
- c) **Kui käivitate tooriku sees olevat saagi, sättige saag lõikejälje keskele ja kontrollige, et saehambad ei haarduks materjali.** Kinnikiildunud saeketas võib liukuda üles või tekitada tagasilöögi, kui saag uuesti käivitatakse.
- d) **Toestage suured plaadid, et piirata saeketta kinnikiildumise ja tagasilöögi ohtu miinimumini.** Suured plaadid kipuvad omaenda kaalu all painduma. Toestused tuleb paigutada plaadi alla mõlemale küljele, lõikejoone lähedale ja plaadi serva äärde.
- e) **Ärge kasutage nürri või kahjustatud saekettast.** Teritamata või valesti paigaldatud saekettast tekib kitsas lõikejalg, mis põhjustab liigest hõõrdumist, saeketta kinnikiildumist ja tagasilööke.
- f) **Enne lõike tegemist peavad lõikesügavuse ja -nurga reguleerimise lukustushoovad olema kindlalt kinnitatud.** Kui saeketta seadistused saagimise ajal muutuvad, võib see põhjustada kinnikiildumise ja tagasilöögi.
- g) **Olge eriti ettevaatlik lõigete tegemisel seintesse ja teistesse varjatud kohtadesse.** Uputatav saeketas võib varjatud objektide saagimisel kinni kiiluda ja tagasilöögi põhjustada..
- 1) **ALUMISE KETTAKAITSME FUNKTSIOON**
- a) **Iga kord enne kasutamist kontrollige, et alumine kettakaitsme sulguks korralikult. Ärge kasutage saagi, kui alumine kettakaitsme ei liigu vabalt ega sulgu koheselt. Alumist kettakaitsmet ei tohi avatud asendis kinni kiiluda.** Kui saag kogemata maha kukub, võib alumine kettakaitsme väänduda. Eemaldage

seade vooluvõrgust, tõstke alumine kettakaitsme tagasi tõmmatavast käepidemest üles ning veenduge, et see liigub vabalt ja ei puuduta saekettast ega muid detaile mistahes lõikenurkade ja -sügavuste juures.

- b) **Kontrollige alumise kettakaitsme vedru funktsioneerimist. Kui kettakaitsme ja selle vedru ei funktsioneer korralikult, tuleb need enne kasutamist parandada.** Kahjustatud osade, kleepuvate sadestuste või mustuse kuhjumise tõttu võib alumine kettakaitsme toimida aeglaselt.
- c) **Alumist kettakaitsmet tuleks käsitsi tagasi tõmmata ainult erilõigete nagu "uputuslõiked" ja liitlõiked tegemiseks. Tõstke alumine kettakaitsme tagasi tõmmatavast käepidemest üles ja vabastage alumine kettakaitsme niipea, kui saeketas tungib materjali sisse.** Kõikide muude saagimistööde ajal peaks alumine kettakaitsme toimima automaatselt.
- d) **Enne sae asetamist tööpingile või pörandale jälgige alati, et saeketas on alumise kettakaitsmega kaetud.** Kaitsmata, vabajooksul saeketas põhjustab sae liikumise tagasi, lõigates kõike, mis selle teele jääb. Pöörake tähelepanu ajavahemikule, mis kulub lüliti vabastamisest saeketta seiskumiseni.

## TÄIENDAVAD OHUTUSNÕUDED

- Äkilised sissevoolud põhjustavad lühiajalisi pingelangusi; ebasobivate toiteallikate tingimustes võib muu varustus saada mõjutatud (kui toiteallika takistussüsteem on madalam kui 0,468 Ohm, on ebatõenäoline, et esineb häirimist); kui soovite edasist selgitust, võite kontakteeruda oma kohaliku vooluallika asutusega

## ÜLDIST

- Tööriista kasutaja peab olema vähemalt 16 aastast vana
- Tööriist ei sobi märglõigete tegemiseks
- Enne seadme reguleerimist või tarviku vahetust eemaldage seade vooluvõrgust (tõmmake pistik pistikupesast välja)
- Ärge kasutage kunagi tööriista, kui juhe on kahjustatud; see tuleb välja vahetada spetsiaalse juhtme vastu, mille saate hooldusteenust osutavalt ettevõttelt.
- **Asbestisisaldava materjali töötlemine on keelatud** (asbest võib tekitada vähki)
- Värviga kaetud juhtmed, mõned puiduliigid, mineraalid ja metall eraldavad tolm, mis võib olla kahjulik (kokkupuude tolmuga või selle sissehingamine võib seadme kasutajal või läheduses viibivatel inimestel põhjustada allergilisi reaktsioone ja/või hingamisteede haigusi); **kandke tolmumaski ja vajaduse korral töötaage külgeühendatava tolmueemaldusseadmega**
- Teatud tüüpi tolm on klassifitseeritud kantserogeenena (nt tammest ja kasest eralduv tolm), eriti koos puidu niiskuse reguleerimiseks kasutatavate lisanditega; **kandke tolmumaski ja vajaduse korral töötaage külgeühendatava tolmueemaldusseadmega**
- Erinevate materjalide töötlemisel tekkiva tolmuga käitlemisel tuleb järgida kehtivaid nõudeid
- Kasutage üksnes sellist saepinki, millel on lüliti takistamiseks mootori taaskäivitumist päras voolukatkestust
- Kasutage üksnes sellist saepinki, mis on varustatud juhtkiiluga

## TARVIKUD

- SKIL tagab saademe häireteta töö üksnes originaalitarvikute kasutamisel

- Kasutage üksnes saekettaid, mis vastavad käesolevas kasutusjuhendis esitatud andmetele ja mis on kontrollitud ja tähistatud vastavalt standardile EN 847-1
- Kasutage vaid neid tarvikuid, mille lubatud pöörete arv on vähemalt sama suur nagu maksimaalsed tühikäigupöörded
- Kasutage ainult vähemalt 184 mm ja maksimaalselt 184 mm läbimõõduga saetera spindliavaga 16 mm **(5820)**
- Kasutage ainult vähemalt 190 mm ja maksimaalselt 190 mm läbimõõduga saetera spindliavaga 16 mm **(5830)**
- Kiirliöketerasest (HSS) saeketaste kasutamine on keelatud
- Ärge kunagi kasutage selles tööriistas lihvimis-/löikekettaid

#### ENNE KASUTAMIST

- Kontrollige alati, kas võrgupinge ühtib tööriista andesildil toodud pingega
- Välistage töödeldavas esemes olevatest kruvidest, naeltest vms põhjustatud kahjustusi; eemaldage need enne töö alustamist
- Enne saagimise alustamist eemaldage kõik nii töödeldava materjali peal- kui allpool löikejoonel asuvad takistused
- **Fikseerige toorik** (fiksaatoriga kinnitatud või kruustangide vahele pandud toorik püsib kindlamini paigal kui lihtsalt käega hoides)
- **Varjatult paiknevate elektrijuhtmete, gaasi- või veetorude avastamiseks kasutage sobivaid otsimisseadmeid või pöörduge kohaliku elektri-, gaasi- või vee-ettevõtte poole** (kokkupuutel elektrijuhtmetega tulekahju- ja elektrilöögioht; gaasitorustiku vigastamisel plahvatusoht; veetorustiku vigastamisel materiaalne kahju või elektrilöögioht)
- Pikendusjuhtmete kasutamisel jälgige, et juhe oleks lõpuni lahti keritud ja vastaks 16 A voolutugevusele

#### KASUTAMISE AJAL

- Töötamise ajal võib müratase ületada 85 dB(A); kandke kuulmiskaitsevahendeid
- Ärge kunagi kasutage tööriista ilma originaalkaitseesadisteta
- Ärge püüdke saagida väga väikeseid toorikuid
- Ärge töötage tööriistaga, hoides seda pea kohal
- Tööriista blokeerimisel või elektrilise või mehhaanilise tõrke korral lülitage see viivitamatult välja ning eemaldage pistik vooluvõrgust
- Kui toitejuhe saab töötamise ajal kahjustada või see lõigatakse läbi, ärge toitejuhet puutuge, vaid eemaldage koheselt pistik vooluvõrgust

#### PÄRAST KASUTAMIST

- Enne tööriista juurest lahkumist lülitage see välja ning oodake, kuni selle liikuvad osad on täielikult seiskunud
- Pärast ketassae väljalülitamist ärge kunagi peatage saeketta pöörlemist külgsurvega

#### TÖÖRIISTAL OLEVATE SÜMBOLITE SELGITUS

- ③ Enne kasutamist tutvuge kasutusjuhendiga
- ④ Topeltisolatsioon (maandusjuhe pole vajalik)
- ⑤ Ärge visake kasutuskoõlbmatuks muutunud tööriista ära koos olmejäätmetega

#### KASUTAMINE

- Saetera paigaldamine ②  
**! eemaldage seade vooluvõrgust**  
 - võtke hoidikust T saeketta võti V  
 - vajutage spindlielukustusnupule C ja hoidke seda all,

samal ajal eemaldage võtme T abil ketta polt D  
**! spindlielukustusnupule C tohib vajutada ainult siis, kui seade ei tööta**

- vabastage spindlielukustusnupp C
- eemaldage flanš E
- ! **jälgige, et flanšide klemmpinnad H oleksid täiesti puhtad ja suunatud vastu saeketast**
- avage alumine kettakaitse F hoova G abil ja hoidke seda avatuna; samal ajal paigaldage saeketas, jälgides, et saeketta hammaste ja kettal oleva noole suund ühtiksid ülemisel kettakaitsele oleva noole suunaga
- vabastage alumine kettakaitse F
- paigaldage flanš E
- vajutage spindlielukustusnupule C ja hoidke seda all, samal ajal pingutage ketta polti võtmega 1/8 pöördet ulatuses (tagab saeketta libisemise kokkupuutel suure takistusega, vähendades mootori ülekoormust ja sae tagasilööki)
- vabastage spindlielukustusnupp C
- Löikesügavuse reguleerimine ⑥
- optimaalse löikekvaliteedi tagamiseks ei tohiks saeketas ulatuda tooriku alt välja rohkem kui 3 mm
- lödvendage nupp J
- tõstke/langetage alusplaati K, kuni skaalale (osuti L) ilmub soovitud löikesügavus
- pingutage nupp J
- Löikenurga reguleerimine (0-50°) ⑦
- lödvendage nupp M
- kallutage tööriista, kuni skaalale (osuti N) ilmub soovitud löikenurk
- pingutage nupp M
- ! **diagonaallöike puhul ei vasta löikesügavuse skaalal näidatud väärtus tegelikule löikesügavusele**
- 90° löikenurga kontrollimine ⑦
- reguleerige alusplaati K maksimaalsele löikesügavusele ja pingutage ⑥
- reguleerige löikenurk väärtusele 0° ja pingutage
- kontrollige nurgamõõdikuga, kas saeketta ja alusplaadi põhja vaheline nurk on 90°
- reguleerimisvajaduse korral, lödvendage nupp M ja kasutage reguleerimiskruvi P, nagu näidatud joonisel
- Reguleeritav löikejoone-aken Q ⑧
- tööriista täpseks juhtimiseks mõõda töödeldavale esemele märgitud löikejoont
- 0° all tehtava otselöike või 45° all tehtava diagonaallöike puhul kasutage vastavaid näitajaid
- ! **suurem osa alusplaadist peaks asuma töödeldava eseme toetatud osal**
- saab reguleerida erineva laiusega saeteradega sobivaks, aga kui juhtub, et üks saeteradest ei joondu õigesti, saate valida, kas jäätmed on tera ⑧ sise- või välisküljel
- ! **löikelaiuse määrab saehammaste laius, aga mitte saeketta paksus**
- ! **tehke alati kõigepealt proovilöige, et kontrollida tegelikku löikejoont**
- Tolmu eemaldamine
- ühendage tolmuimeemisvoolik adapteriga Y ⑨
- ! **jälgige, et tolmuimeja voolik ei tõkestaks kunagi alumise kettakaitse funktsioneerimist ega takistaks saagimistööd**



- Seadme kasutamine ⑨
  - ühendage pistik vooluvõrku
  - hoidke alati tugevalt ühe käega käepidemest R ja teise käega tugevalt käepidemest S
  - asetage tööriist alusplaadi esiservaga tasaselt toorikule
- ! **veenduge, et saeketta hambad ei ole toorikusse haakunud**
- lülitage tööriist sisse, vajutades kõigepealt nupule B (= turvalüliti, mida pole võimalik lukustada) ja siis vajutage sisse lüliti A
- ! **enne saeketta viimist töödeldavasse materjali peab saag saavutama täiskiiruse**
- alumine kettakaitse F avaneb automaatselt, kui saeketas viiakse töödeldavasse materjali (avage alumine kettakaitse käsitsi ainult eriliste lõigete nagu "uputuslõigete" korral; selleks kasutage hooa G)
- ! **ärge koormake tööriista üle (jälgige, et surve oleks kerge ja pidev, et vältida lõiketera otste ülekuumenemist ja plasti lõikamise korral plastrmaterjali sulamist)**
- ! **töötamise ajal hoidke tööriista kinni korpuse ja käepideme halli värvi osadest**
- pärast lõike lõpetamist lülitage tööriist välja, vabastades lüliti A
- ! **enne tööriista eemaldamist toorikust veenduge, et saeketas on täielikult seiskunud**

## TÖÖJUHISE

- Asetage töödeldav ese alati ilusama poolega allapoole, et viia materjalikahjustused miinimumini
- Kasutage üksnes õiget tüüpi teravaid saekettaid ⑩
  - lõikekvaliteet paraneb saeketta hammaste arvu suurenedes
  - kõvasulam-saeketaste kasutusiga on võrreldes tavaliste saeketastega kuni 30 korda pikem
- Paralleeljuhihik Z ⑪
  - täpsete lõigete tegemiseks piki tooriku äärt
  - võimalik kinnitada alusplaadi mõlema külje külge Paralleeljuhihiku reguleerimine
  - lõdvendage nupp AA
  - reguleerige paralleeljuhihik skaala abil soovitud lõikelaiusele (kasutage 0-punkti tähistamiseks aken Q)
  - pingutage nupp AA
- Uputuslõiked ⑫
  - määrake kindlaks soovitud lõikesügavus
  - kallutage tööriista ette, hoides et aken Q toorikule märgitud lõikejoonega kohakuti
  - avage alumine kettakaitse F hooa G abil
  - veidi enne saeketta sisenumist materjali lülitage tööriist sisse ning langetage aeglaselt tööriista tagumist osa, kasutades toetuspunktina alusplaadi esiserva
  - langetage tööriista vähehaaval ja lükake samal ajal ettepoole
  - niipea kui saeketas siseneb toorikusse, vabastage hoob G
- ! **ärge kunagi tõmmake tööriista tagasisuunas**
- Suurte plaatide lõikamine ⑬
  - toetage plaat lõikejoone lähedalt põrandale, lauale või tööpingile
- ! **reguleerige lõikesügavus selliselt, et te saete läbi plaadi, kuid ei kahjusta tugesid**
- kui paralleeljuhihikuga pole võimalik soovitud laius

saagida, kinnitage toorikule (pitskruidude või naelte abil) sae juhtimist hõlbustav sirge puuliist ning juhtige saagi parema alusplaadi äärega mööda seda

## HOOLDUS/TEENINDUS

- Tööriist pole mõeldud professionaalseks kasutamiseks
- Hoidke seade ja toitejuhe alati puhtad (eriti õhutussavad AB)
- ! **enne puhastamist eemaldage seade vooluvõrgust**
- Hoidke alati alumise kettakaitse F ② ümbrus puhtana (eemaldage tolm ja puru suruõhuga puhudes või harjaga)
- Puhastage saeketas kohe pärast kasutamist (eelkõige vaigu- ja liimijääkidest)
- Tööriist on hoolikalt valmistatud ja testitud; kui tööriist sellest hoolimata rikki läheb, teeb see lasta parandada SKILi elektriliste käsitööriistade volitatud remonditöökojas
- toimetage **lahitmonteerimata** seade koos ostukviitungiga tarnijale või lähimasse SKILi lepingulisse töökohta (aadressid ja tööriista varuosade joonise leiate aadressil [www.skil.com](http://www.skil.com))
- Arvestage sellega, et garantii ei hõlma seadme ülekoormamisest või ebaõigest käsitsemisest tulenevaid kahjustusi (teavet SKILi garantiitingimuste kohta vaadake veebilehelt [www.skil.com](http://www.skil.com) või küsige kohalikult müügiesindajalt)

## KESKKOND

- **Ärge visake kasutuslõpumatuks muutunud elektrilisi tööriistu, lisatarvikuid ja pakendeid ära koos olmejäätmetega** (üksnes EL liikmesriikidele)
  - vastavalt Euroopa Parlamendi ja nõukogu direktiivile 2012/19/EÜ elektri- ja elektroonikaseadmete jäätmete kohta ning direktiivi nõuete kohaldamisele liikmesriikides tuleb kasutuslõpumatuks muutunud elektrilised tööriistad koguda eraldi ja keskkonnasäästlikult korduvkasutada või ringlusse võtta
  - seda meenutab Teile sümbol ⑤

## MÜRA / VIBRATSIION

- Standardiga EN 62841 kooskõlas mõõdetud tööriista helirõhu tase on 97,0 dB(A) ja helivõimsuse tase 108,0 dB(A) (määramatus K = 3 dB), ja vibratsioon
  - \* (ruumiliste vektorite summa; mõõtemääramatus K = 1,5 m/s<sup>2</sup>)
  - \* puidu saagimine 4,0 m/s<sup>2</sup>
  - \* metalli lõikamine 2,8 m/s<sup>2</sup>
- Tekkiva vibratsiooni tase on mõõdetud vastavalt standardis EN 62841 kirjeldatud standarditule testile; seda võib kasutada tööriistade võrdlemiseks ja tööriista kasutamisel ettenähtud töödeks esineva vibratsiooni esialgseks hindamiseks
  - tööriista kasutamisel muudeks rakendusteks või teiste/halvasti hooldatud tarvikute kasutamisel võib vibratsioon märkimisväärselt **suurenda**
  - ajal, kui tööriist on väljalülitatud või on küll sisselülitatud, kuid tegefikult seda ei kasutata, võib vibratsioon märkimisväärselt **vähendada**
- ! **enda kaitsmiseks vibratsiooni eest hooldage tööriista ja selle tarvikuid korralikult, hoidke oma käed soojad ja tagage sujuv töökorraldus**

## Ripzāģis

5820/5830

## IEVADS

- Šis instruments ir paredzēts kokmateriālu garenzāģēšanai un šķērszāģēšanai, veidojot tajos taisnos zāģējumus, kā arī slīpos zāģējumus ar zāģēšanas leņķi no 0° līdz 50°; iestiprinot ripzāģi piemērotus zāģa asmeņus, šo instrumentu var izmantot arī krāsaino metālu, vieglu būvmateriālu un plastmasas zāģēšanai
- Šis darbarīks nav paredzēts profesionālai lietošanai
- Izlasiet un saglabājiet šo pamācību ③

## TEHNISKIE PARAMETRI ①

## INSTRUMENTA ELEMENTI ②

- A Ieslēgšanas slēdzis
- B Drošības slēdzis
- C Darbvārpstas fiksācijas poga
- D Zāģa asmens stiprinošā skrūve
- E Paplāksne
- F Apakšējais aizsargs
- G Apakšējā aizsarga atvēršanas svira
- H Noturvirsma
- J Poga zāģēšanas dziļuma iestatīšanai
- K Pamatnes plāksne
- L Zāģēšanas dziļuma indikators
- M Zāģēšanas leņķa regulēšanas spārnskrūve
- N Zāģēšanas leņķa indikators
- P Skrūve 90° atdures regulēšanai
- Q Zāģējuma līnijas vizieris
- R Aizmugurējais rokturis
- S Priekšējais rokturis
- T Zāģa asmens uzgriežņu atslēga
- V Nodalījums zāģa asmens uzgriežņu atslēgas glabāšanai
- W Skaidu izvadatvere
- Y Putekļsūcēja adapters
- Z Paralēlā vadotne
- AA Paralēlās vadotnes regulēšanas spārnskrūve
- AB Ventilācijas atveres

## DROŠĪBA

## VISPĀRĒJIE NOTEIKUMI ELEKTROINSTRUMENTU DROŠAI LIETOŠANAI

**⚠ BRĪDINĀJUMS** Iepazīstieties ar visiem šī elektroinstrumenta drošas lietošanas noteikumiem, norādījumiem, attēliem un specifiskācijām. Visu turpmāk sniegto norādījumu neizpildes rezultātā lietotājs var ciest no elektrošoka, var izvērsties ugunsnelaime un/vai rasties smagi ievainojumi.

**Saglabājiet visus noteikumus un norādījumus turpmākai atsaucei.**

Noteikumos minētais termins "elektroinstruments" nozīmē ar strāvu darbināmu (ar vadu aprīkotu) vai ar akumulatoru darbināmu (bezvadu) elektroinstrumentu.

## 1) DROŠĪBA DARBA VIETĀ

- a) **Sekojiēt, lai darba vieta būtu tīra un sakārtota.** Nekārtīgā darba vietā vai sliktā apgaismojumā var viegli notikt nelaimes gadījums.
- b) **Nelietojiet elektroinstrumentu eksplozīvu vai ugunsnedrošu vielu tuvumā un vietās ar paaugstinātu gāzes vai putekļu saturu gaisā.** Darba laikā instruments neadaud dzirksteļo, un tas var izsaukt viegli degošu putekļu vai tvaiku aizdegšanos.
- c) **Lietojot elektroinstrumentu, nelaijujiet nepiederošām personām un jo īpaši bērniem tuvoties darba vietai.** Citu personu klātbūtne var novērst uzmanību, un tā rezultātā jūs varat zaudēt kontroli pār instrumentu.

## 2) ELEKTRODROŠĪBA

- a) **Elektroinstrumenta kontaktdakšai jābūt piemērotai elektrotīkla kontaktligzdai. Kontaktdakšas konstrukciju nedrīkst nekādā veidā mainīt. Nelietojiet kontaktdakšas salāgotājus, ja elektroinstruments caur kabeli tiek savienots ar aizsargzemējuma ķēdi.** Neizmainītas konstrukcijas kontaktdakša, kas piemērota kontaktligzdai, ļauj samazināt elektriskā trieciena saņemšanas risku.
  - b) **Darba laikā nepieskarieties sazēmētiem priekšmetiem, piemēram, caurulēm, radiatoriem, plītiņim vai ledusskapjiem.** Pieskaroties sazēmētām virsmām, pieaug risks saņemt elektrisko triecienu.
  - c) **Nelietojiet elektroinstrumentu lietus laikā, neturiet to mitrumā.** Mitrumam iekļūstot instrumentā, pieaug risks saņemt elektrisko triecienu.
  - d) **Nenesiet un nepiekariet elektroinstrumentu aiz elektrokabeļa. Neraujiet aiz kabeļa, ja vēlaties atvienot instrumentu no elektrotīkla kontaktligzdas. Sargājiet elektrokabeli no karstuma, eļļas, asām šķautnēm un instrumenta kustīgajām daļām.** Bojāts vai samezģojies elektrokabelis var būt par cēloni elektriskajam triecienam.
  - e) **Darbinot elektroinstrumentu ārpus telpām, izmantojiet tā pievienošanai vienīgi tādus pagarinātājkabeļus, kuru lietošana ārpus telpām ir atļauta.** Lietojot elektrokabeli, kas piemērots darbam ārpus telpām, samazinās risks saņemt elektrisko triecienu.
  - f) **Ja elektroinstrumentu tomēr nepieciešams lietot vietās ar paaugstinātu mitrumu, izmantojiet tā pievienošanai noplūdes strāvas aizsargreleju.** Lietojot noplūdes strāvas aizsargreleju, samazinās risks saņemt elektrisko triecienu.
- 3) PERSONISKĀ DROŠĪBA**
- a) **Darba laikā saglabājiet paškontroli un rīkojieties saskaņā ar veselo saprātu. Pārtrauciet darbu, ja jūtaties noguris vai atrodaties alkohola, narkotiku vai medikamentu izraisītā reibumā.** Strādājot ar elektroinstrumentu, pat viens neuzmanības mirklis var būt par cēloni nopietnam savainojumam.
  - b) **Izmantojiet individuālos darba aizsardzības līdzekļus un darba laikā vienmēr nēsājiet aizsargbrilles.** Individuālo darba aizsardzības līdzekļu (putekļu maskas, neslidošu apavu un aizsargķiveres vai ausu aizsargu) pielietošana atbilstoši elektroinstrumenta tipam un veicamā darba raksturam ļauj izvairīties no savainojumiem.
  - c) **Nepieļaujiet elektroinstrumenta patvaļīgu ieslēgšanos. Pirms elektroinstrumenta**

- pievienošanas elektrotīklam, akumulatora ievietošanas vai izņemšanas, kā arī pirms elektroinstrumenta pārnesšanas pārliecinieties, ka tas ir izslēgts. Pārnesot elektroinstrumentu, ja pirksts atrodas uz ieslēdzēja, kā arī pievienojot to elektrobarošanas avotam laikā, kad elektroinstrumentis ir ieslēgts, var viegli notikt nelaimas gadījums.
- d) **Pirms instrumenta ieslēgšanas neaizmirstiet izņemt no tā regulējošos instrumentus vai skrūvjatslēgas.** Patronatslēga vai skrūvjatslēga, kas instrumenta ieslēgšanas brīdī nav izņemta no tā, var radīt savainojumu.
- e) **Strādājot ar elektroinstrumentu, ieturiet stingru stāju.** Darba laikā vienmēr saglabāiet līdzsvaru un centieties nepaslidēt. Tas atvieglos instrumenta vadību neparedzētās situācijās.
- f) **Izvēlieties darbam piemērotu apģērbu.** Darba laikā neņesājiet brīvi plandošas drēbes un rotaslietas. Netuviniet garus matus un drēbes elektroinstrumenta kustīgajām daļām. Vaļīgas drēbes, rotaslietas un gari mati var ieķerties instrumenta kustīgajās daļās.
- g) **Ja elektroinstrumenta konstrukcija ļauj tam pievienot ārējo putekļu uzsūkšanas vai savākšanas/uzkrāšanas ierīci, sekojiet, lai tā tiktu pievienota elektroinstrumentam un pareizi darbotos.** Pielietojot putekļu uzsūkšanu vai savākšanu/uzkrāšanu, samazinās to kaitīgā ietekme uz strādājošās personas veselību.
- h) **Nepaļaujieties uz iemaņām, kas tiek iegūtas, bieži lietojot instrumentus, neieslīgstiet pašapmierinātībā un neignorējiet instrumenta drošas lietošanas principus.** Neuzmanīgas rīcības dēļ dažās sekundēs daļās var gūt nopietnu savainojumu.
- 4) ELEKTROINSTRUMENTU LIETOŠANA UN APKOPE**
- a) **Nepārslēdziet elektroinstrumentu.** Katram darbam izvēlieties piemērotu instrumentu. Elektroinstrumentus darbosies labāk un drošāk pie nominālās slodzes.
- b) **Nelietojiet elektroinstrumentu, ja ir bojāts tā ieslēdzējs.** Elektroinstrumentis, ko nevar ieslēgt un izslēgt, ir bīstams lietošanai un to nepieciešams remontēt.
- c) **Pirms elektroinstrumenta apkopes, regulēšanas vai darbinstrumenta nomaiņas atvienojiet tā kontaktakšu no barojošā elektrotīkla vai izņemiet no tā akumulatoru, ja tas ir izņemams.** Šādi iespējams samazināt elektroinstrumenta nejaušas ieslēgšanās risku.
- d) **Elektroinstrumentu, kas netiek darbināts, uzglabāiet piemērotā vietā, kur tas nav sasniedzams bērniem un personām, kuras neprot rīkoties ar instrumentu.** Ja elektroinstrumentu lieto nekompetentas personas, tas var apdraudēt cilvēku veselību.
- e) **Savlaicīgi apkalpojiet elektroinstrumentus un to piederumus.** Pārbaudiet, vai kustīgās daļas darbojas bez traucējumiem un nav iespīlētas, vai kāda no daļām nav salauzta vai bojāta, vai katra no tām pareizi funkcionē un pilda tai paredzēto uzdevumu. Nodrošiniet, lai bojātās daļas tiktu savlaicīgi nomainītas vai remontētas pilnvarotā remontu darbnīcā. Daudzi nelaimas gadījumi notiek tāpēc, ka elektroinstrumentus pirms lietošanas nav pienācīgi apkalpoti.
- f) **Savlaicīgi notīriet un uzasiniet griezošos darbinstrumentus.** Rūpīgi kopti instrumenti, kas apgādāti ar asiem griežējinstrumentiem, ļauj strādāt daudz ražīgāk un ir vieglāk vadāmi.
- g) **Lietojiet vienīgi tādus elektroinstrumentus, papildpiederumus, darbinstrumentus utt., kas paredzēti attiecīgajam pielietojuma veidam. Bez tam jāņem vērā arī konkrētie darba apstākļi un pielietojuma īpatnības.** Elektroinstrumentu lietošana citiem mērķiem, nekā to ir paredzējusi ražotājfirma, ir bīstama un var novest pie neparedzamām sekām.
- h) **Uzturiet elektroinstrumenta rokturus un noturvirsmas sausas un tīras, sargājiet tās no eļļas un smērvielām.** Slideni rokturi un noturvirsmas traucē efektīvi rīkoties ar elektroinstrumentu un to droši vadīt neparedzētās situācijās.
- 5) APKALPOŠANA**
- a) **Nodrošiniet, lai Instrumenta remontu veiktu kvalificēts personāls, nomainītai izmantojot oriģinālās rezerves daļas un piederumus.** Tikai tā iespējams panākt instrumenta ilgstošu un nevainojamu darbību bez atteikumiem.

## DROŠĪBAS NOTEIKUMI RIPZĀGIEM

### 1) ZĀĢĒŠANA

- a) **BĪSTAMI** : Netuviniet rokas zāģēšanas vietai vai zāģa asmenim. Ar otru roku turiet instrumentu aiz papildroktura vai dzinēja korpusa. Turot zāģi ar abām rokām, rotējošais asmens tās nevar savainot.
- b) **Nepieskarieties ar rokām apstrādājamā priekšmeta apakšējai daļai.** Ripzāģa aizsargs nevar nodrošināt aizsardzību no zāģa asmens apstrādājamā priekšmeta apakšpusē.
- c) **Iestādiēt zāģēšanas dziļumu atbilstoši apstrādājamā priekšmeta biežumam.** Darba gaitā apstrādājamā priekšmeta apakšpusē redzamās zāģa asmens zobu daļas augstumam jābūt mazākam par pilnu asmens zobu augstumu.
- d) **Neturiet zāģējamo priekšmetu ar roku un nebalstiet to ar kāju.** Iestipriniet zāģējamo priekšmetu stabilā turētājierīcē. Ir ļoti svarīgi, lai zāģējamais priekšmets tiktu labi nostiprināts, jo tādā gadījumā tiek minimizēta ķermeņa daļu saskaršanās iespēja ar rotējošo zāģa asmeni, kā arī zāģa asmens iestrēgšanas un kontroles zaudēšanas iespēja.
- e) **Turiet elektroinstrumentu tikai pie izolētās satveršanas virsmas, tāpēc ka griešanas asmeņi var nonākt kontaktā ar apslēptiem vadiem vai ar savu vadu** (griešanas asmeņi saskaroties ar "barošanas" vadu var pakļaut elektroinstrumenta metāla daļas "barošanai" un var izraisīt operatoram elektrošoku)
- f) **Veicot garenzāģēšanu, lietojiet paralēlo vadotni vai izmantojiet kā vadotni priekšmeta taisno malu.** Tas palielina zāģēšanas precizitāti un samazina zāģa asmens iestrēgšanas iespējamību.
- g) **Lietojiet pareiza izmēra zāģa asmeni ar piemērotas formas centrālo atvērumu (piemēram, zvainēns veida vai apaļu).** Zāģa asmeņi, kas neatbilst stiprināso elementu formai, necentrējas uz darbvārpstas un var novest pie kontroles zaudēšanas pār zāģēšanas procesu.
- h) **Izmantojiet nolietotas vai bojātas zāģa asmens starplikas vai noturuzgriežņus.** Šīs detaļas ir īpaši

paredzētas ripzāga asmeņiem, lai nodrošinātu optimālu darba kvalitāti un drošību.

## 2) ATSITIENS - CĒLOŅI UN NOTEIKUMI NOVĒRŠANAI

- Par atsitienu sauc negaidītu ripzāga reakciju, tā asmeņiem iestrēgstot apstrādājamajā materiālā vai novirzoties no zāgējuma līnijas, kā rezultātā instruments strauji pārvietojas augšup no apstrādājamā priekšmeta darba veicēja virzienā
- Ja, zāgējumam aizveroties, zāga asmens tiek stingri iespiests, tas pēkšņi apstājas, kā rezultātā elektrodzinēja radītais reaktīvais spēks liek instrumentam strauji pārvietoties darba veicēja virzienā
- Ja zāgēšanas laikā zāga asmens noliecās sānu virzienā vai novirzās no zāgējuma līnijas, tā aizmugurējās malas zobi var iestrēgt zāgējamā kokmateriāla virskārtā, liekot asmeņim izrautes no zāgējuma vietas un pārvietoties darba veicēja virzienā
- Atsitiens ir sekas elektroinstrumenta nepareizai vai neprasmīgai lietošanai. No tā var izvairīties, ievērojot zināmus piesardzības pasākumus, kas aprakstīti turpmākajā izklāstā.
- a) **Stingri turiet instrumentu ar abām rokām, satverot to tāda veidā, lai izturētu atsitienu reaktīvā spēka iedarbību. Pie tam nestāviet uz vienas līnijas ar zāga asmeni, bet gan vienā vai otrā pusē no tā.** Atsitiens var izraisīt pēkšņu zāga pārvietošanos darba veicēja virzienā, taču, veicot vajadzīgos piesardzības pasākumus, atsitienu reaktīvā spēka iedarbību iespējams kontrolēt.
- b) **Ja zāga asmens iestrēgst vai arī zāgēšana tiek pārtraukta kādu citu iemeslu dēļ, atlaidiet ripzāga ieslēdzēju un turpiniet turēt instrumentu nekustīgi, līdz zāga asmens pilnīgi apstājas. Nekādā gadījumā neizņemiet instrumenta asmeni no zāgējuma un nevelciet ripzāgi atpakaļ, kamēr zāga asmens vēl atrodas kustībā, jo tas var izsaukt atsitienu.** Noskaidrojiet zāga asmens iestrēgšanas iemeslus un veiciet pasākumus to novēršanai. Izvairieties no tādu priekšmetu zāgēšanas, kuros atrodas naglas vai skrūves.
- c) **Atkārtoti ieslēdzot ripzāgi laikā, kad tā asmens atrodas apstrādājamajā priekšmetā, centieties turēt asmeni zāgējuma šķēluma vidū un pārbaudiet, vai tā zobi nav iespiedušies zāgējamajā materiālā.** Ja zāga asmens ir iestrēdzis, tad, ieslēdzot instrumentu, tā asmens var strauji pārvietoties augšup no apstrādājamā priekšmeta, izraisot atsitienu.
- d) **Lai izvairītos no zāga asmens iestrēgšanas un atsitienu, zāgējot liela izmēra paneļus, tie ir jāatbalsta.** Liela izmēra paneļi zem sava svara mēdz ieliekties, tāpēc balsti jānovieto paneļa abos sānos tuvu zāgējuma līnijai un pie paneļa malas.
- e) **Neizmantojiet neasus vai bojātus asmeņus.** Neuzasināti vai nepareizi iestiprināti asmeņi veido šauru zāgējuma šķēlumu, kas var izsaukt pastiprinātu berzi, asmens iestrēgšanu un zāga atsitienu.
- f) **Pirms darba uzsākšanas stingri pievelciet zāgēšanas dziļuma un zāgēšanas leņķa iestādījumu fiksējošās sviras.** Ja zāgēšanas laikā izmainās zāga asmens stāvokļa iestādījumi, tas var izsaukt asmens iestrēgšanu un zāga atsitienu.
- g) **Ievērojiet īpašu piesardzību, veicot iezāgēšanu ar asmens iegremdēšanu sienās vai citos skatiem slēptos objektos.** Iegremdētais zāga asmens zāgēšanas laikā var iestrēgt slēptajā objektā, kā rezultātā

var notikt atsitiens.

## 1) APAKŠĒJĀ AIZSARGPĀRSEGA FUNKCIONĒŠANA

- a) **Ik reizi pirms darba uzsākšanas pārbaudiet, vai zāga asmens apakšējais aizsargs pilnībā aizveras. Nestrādājiet ar ripzāgi, ja tā asmens apakšējais aizsargs nespēj brīvi pārvietoties un neaizveras uzreiz. Nemēģiniet nokļīst ripzāga apakšējo asmens aizsargu atvērta stāvoklī.** Ja ripzāģis nejausi nokļīst, asmens apakšējais aizsargs var saliekties. Šādā gadījumā atvienojiet instrumentu no elektrotīkla, ar speciāla ievelkošā roktura palīdzību paceliet asmens apakšējo aizsargu un pārbaudiet, vai tas spēj brīvi pārvietoties un neskar asmeni vai kādu citu instrumenta daļu. Pārbaude jāveic pie visiem zāgēšanas dziļuma un leņķa iestādījumiem.
- b) **Pārbaudiet asmens apakšējā aizsarga atsperes darbību. Ja aizsargs vai tā atspere nedarbojas pareizi, pirms darba uzsākšanas jāveic to apkope.** Zāga asmens apakšējā aizsarga brīva pārvietošanās var tikt traucēta kāda bojājuma, gumijas nosēdums vai sakrājušos netīrumu dēļ.
- c) **Zāga asmens apakšējo aizsargu ir pieļaujams atvērt ar roku tikai tad, kad tiek veikti tādi speciālie zāgējumi, kā zāgēšana ar asmens iegremdēšanu vai salikto zāgējumu veidošana. Šādos gadījumos ar ievelkošā roktura palīdzību atveriet asmens apakšējo aizsargu un, ripzāģa asmeņim ieejot apstrādājamajā materiālā, tūlīt to nolaidiet.** Veicot visus pārējos zāgējumus, asmens apakšējam aizsargam jādarbojas automātiski.
- d) **Pirms ripzāģa novietošanas uz darbgalda vai grīdas raugieties, lai asmens apakšējais aizsargs nosegtu asmeni.** Nenosegts asmens, kas pēc inerces vēl rotē, var likt ripzāģim pārvietoties atpakaļvirzienā, sagriežot visu, kas gadās tam ceļā. Atcerieties, ka pēc instrumenta izslēgšanas zāga asmens vēl kādu laiku turpina rotēt.

## PAPILDU DROŠĪBAS NOTEIKUMI

- Strāvas pieaugums ķēdē rada īslaicīgus sprieguma kritumus; ja ir nelabvēlīgi strāvas padeves nosacījumi, var tikt ietekmēts cits aprīkojums (traucējumi parasti nav novērojami, ja elektroapgādes sistēmas pilna iekšējā pretestība nepārsniedz 0,468 omus); ja Jums ir nepieciešams sīkaks skaidrojums, varat sazināties ar vietējo elektroapgādes iestādi

## VISPĀRĒJA INFORMĀCIJA

- Šo instrumentu nedrīkst izmantot personas, kas jaunākas par 16 gadiem
- Šis ripzāģis nav paredzēts mitru priekšmetu zāgēšanai
- **Pirms instrumenta regulēšanas vai piederumu nomaiņas atvienojiet to no barojošā elektrotīkla**
- Nekad neizmantojiet instrumentu, ja bojāts tā vads; tas jānomaina pret speciāli sagatavotu kabeli, kas pieejams servisa uzņēmumā.
- **Neapstrādājiet materiālus, kas satur azbestu** (azbestam piemīt kancerogēnas īpašības)
- Materiāla, piemēram svinu saturošas krāsas, dažu koka šķirņu, minerālu un metāla, putekļi var būt kaitīgi (saskare ar putekļiem vai to ieelpošana var izraisīt alerģiskas reakcijas un/vai elpošanas ceļu saslimšanas operatoram vai klatēsošajiem); **izmantojiet putekļu masku un putekļsūcēju, ja to iespējams pievienot**

- Dažu veidu putekļi ir klasificēti kā kancerogēni (piemēram, ozola vai dižskābarža putekļi), jo īpaši apvienojumā ar koksnes kondicionēšanas piedevām; **izmantojiet putekļu masku un putekļsūcēju, ja to iespējams pievienot**
- Ievērojiet ar putekļu savākšanu saistītos nacionālos noteikumus, kas attiecas uz apstrādājamajiem materiāliem
- Lietojiet ripzāģim piemērotu zāģēšanas galdu, kas apgādāts ar drošības slēdzi; tas novērš instrumenta patvaļīgu ieslēgšanos, atjaunojoties barojošā sprieguma padevei
- Lietojiet tikai tādu zāģēšanas galdu, kas apgādāts ar šķēlējnazi

## PIEDERUMI

- PIERMA SKIL garantē instrumenta nevainojamu darbību tikai tad, ja tiek lietoti oriģinālie papildpiederumi
- Izmantojiet tikai zāģa asmeņus, kas atbilst šajā lietošanas pamācībā noteiktajiem parametriem, ir pārbaudīti atbilstoši standartam EN 847-1 prasībām un attiecīgi marķēti
- Lietojiet tikai tādus darbinstrumentus, kuru pieļaujamais darbības ātrums ir vismaz tikpat liels, kā instrumenta maksimālais brīvgaits ātrums
- Izmantojiet tikai zāģa asmeņus ar minimālo diametru 184 mm, maksimālo diametru 184 mm un darbvārpstas atveri 16 mm (**5820**)
- Izmantojiet tikai zāģa asmeņus ar minimālo diametru 190 mm, maksimālo diametru 190 mm un darbvārpstas atveri 16 mm (**5830**)
- Neiestipriniet zāģi asmeņus, kas izgatavoti no ātrgriezējtauda (HSS)
- Neiestipriniet ripzāģi slīpēšanas vai griešanas diskus ar šo instrumentu

## PIRMS DARBA UZSĀKŠANAS

- Vienmēr pārliecinieties, ka spriegums, kas uzrādīts uz instrumenta marķējuma plāksnītes, atbilst padeves spriegumam elektrotīklā
- Izvairieties no instrumenta bojājumiem, ko var radīt apstrādājamajā priekšmetā esošās skrūves, naglas vai citi līdzīgi objekti; pirms darba uzsākšanas atbrīvojiet apstrādājamo materiālu no šādiem priekšmetiem
- Pirms zāģēšanas nodrošiniet, lai zāģējuma trase no abām zāģējamā priekšmeta pusēm tiktu atbrīvota no jebkāda veida šķēršļiem
- **Nostipriniet apstrādājamo detaļu** (to ir drošāk nostiprināt ar spailēm vai skrūvēm, nevis turēt rokā)
- **Ar piemērota metālmeklētāja palīdzību pārbaudiet, vai apstrādes vietu nešķērso slēptas elektropārvades līnijas, kā arī gāzes vai ūdens caurules; šaubu gadījumā griezieties vietējā komunālās saimniecības iestādē** (darbinstrumentam skarot elektrotīkla fāzes līniju, var izcelties ugunsgrēks un strādājošais var saņemt elektrisko triecienu; gāzes vada bojājums var izraisīt sprādzienu; darbinstrumentam skarot ūdensvada cauruli, var tikt bojātas materiālās vērtības un strādājošais var saņemt elektrisko triecienu)
- Lietojiet pilnīgi atļūtu un drošu pagarinātājkaбели, kas paredzēti 16 A strāvai

## DARBA LAIKĀ

- Darba laikā instrumenta radītā trokšņa līmenis var pārsniegt 85 dB(A); lietojiet ausu aizsargus
- Nelietojiet ripzāģi, ja uz tā nav nostiprināti visi paredzētie asmeņi aizsargi
- Nezāģējiet ļoti mazus priekšmetus

- Nestrādājiet ar ripzāģi, turot to virs galvas
- Ja iestrēgst ripzāģa asmeņi vai notiek jebkura cita mehāniska vai elektriska rakstura kļūme, nekavējoties izslēdziet instrumentu un atvienojiet to no barojošā elektrotīkla
- Ja darba laikā tiek pārgriezti vai citādi mehāniski bojāti instrumenta elektrokabeļi, nepieskarieties tam, bet nekavējoties atvienojiet elektrokabeļa kontaktdakšu no barojošā elektrotīkla

## PĒC DARBA PABEIGŠANAS

- Pirms instrumenta novietošanas izslēdziet tā elektrodzinēju un nogaidiet, līdz ir pilnīgi apstājušās visas instrumenta kustīgās daļas
  - Pēc ripzāģa izslēgšanas nemēģiniet nobremzēt zāģa asmeni, izdarot uz to spiedienu sānu virzienā
- ## UZ INSTRUMENTA ATĒLOTO SIMBOLU SKAIDROJUMS
- ③ Pirms izstrādājuma lietošanas izlasiet tā lietošanas pamācību
  - ④ Divkārsa izolācija (nav jālieto zemējuma vads)
  - ⑤ Neizmēģiniet nolietoto instrumentu sadzīves atkritumu tvertnē

## DARBS

- Zāģa asmeņi iestiprināšana ②
- ! **atvienojiet instrumentu no elektrotīkla**
  - izņemiet zāģa asmeņus uzgriežņu atslēgu T no ripzāģa nodalījuma V
  - nospiediet instrumenta darbvārpstas fiksējošo pogu C un, turot to nospiestu, ar uzgriežņu atslēgas T palīdzību izskrūvējiet zāģa asmeņus stiprinošo skrūvi D
- ! **darbvārpstas fiksējošo pogu C drīkst nospiegt tikai tad, kad instruments atrodas miera stāvoklī**
  - atlaidiet fiksējošo pogu C
  - noņemiet aplākšni E
- ! **nodrošiniet, lai abu aplākšņu noturvirsmas H būtu nevainojami tīras un būtu vērstas pret zāģa asmeni**
  - lietojot sviru G, atveriet apakšējo asmeņi aizsargu F un, noturot to atvērtu, ievietojiet zāģa asmeni, sekojot, lai zāģa asmeņi zobu vērsumus un uz zāģa asmeņiem attēlotās bultas virzieni sakristu ar bultas virzienu, kas attēlota uz ripzāģa asmeņiem augšējā aizsarga
  - atbrīvojiet apakšējo asmeņi aizsargu F
  - novietojiet aplākšni E uz zāģa asmeņiem
  - nospiediet instrumenta darbvārpstas fiksējošo pogu C un, turot to nospiestu, ar pirkstiem pieskrūvējiet stiprinošo skrūvi un tad pievelciet to ar zāģa asmeņiem uzgriežņu atslēgu par 1/8 no pilna apgrieziena (šādi tiek panākta aplākšņu noturvirsmu izslīdēšana gadījumā, ja iestrēgst zāģa asmeņi, novēršot elektrodzinēja pārslodzi un iespējamo zāģa atsitieni)
  - atlaidiet fiksējošo pogu C
- Zāģēšanas dziļuma iestādīšana ⑥
  - lai nodrošinātu optimālu apstrādes kvalitāti, asmeņi nedrīkst iziet caur zāģējamā priekšmeta vairāk, kā par 3 mm
  - nedaudz atskrūvējiet spārnskrūvi J
  - paceļot/nolaižot zāģa pamatni K, iestādiel vēlamo zāģēšanas dziļumu atbilstoši indikatora L rādījumiem uz skalas
  - pievelciet spārnskrūvi J
- Zāģēšanas leņķa iestādīšana (robežās no 0° līdz 50°) ⑦
  - nedaudz atskrūvējiet spārnskrūvi M

- nolieciet instrumentu sānu virzienā, uzstādiēt vēlamo zāģēšanas leņķi atbilstoši indikatora N rādījumiem uz skalas

- pievelciet spārnskrūvi M

**! veidojot slīpos zāģējumus, zāģēšanas dziļums neatbilst uz zāģēšanas dziļuma skalas nolāsāmajai vērtībai**

- Zāģa asmens perpendikularitātes pārbaude attiecībā pret ripzāģa pamatni ⑦
- iestādiēt maksimālo zāģēšanas dziļumu un nostipriniet ripzāģa pamatni K šajā stāvoklī ⑥
- iestādiēt zāģēšanas leņķi 0° un nostipriniet ripzāģa pamatni
- ar stūreņa palīdzību pārbaudiet zāģa asmens perpendikularitāti attiecībā pret ripzāģa pamatnes apakšējo virsmu
- ja vajadzīga regulēšana, nedaudz atskrūvējiet spārnskrūvi M un izmantojiet regulēšanas skrūvi P, kā parādīts attēlā
- Regulējams zāģējuma līnijas vizieris Q ⑧
- kalpo, lai atvieglotu instrumenta vadīšanu pa iepriekš iezīmētu zāģējuma līniju
- veidojot taisnos zāģējumus ar leņķi 0° un slīpos zāģējumus ar leņķi 45°, vadieties pēc atbilstošā zāģējuma līnijas viziera ierobežojuma

**! zāģēšanas laikā ripzāģa pamatnes paplašinātajai daļai jāatrodas uz zāģējamā priekšmeta atbalstītās daļas**

- var noregulēt, lai pielāgotu dažādus zāģa asmens platumus, taču iespējams, ka viena zāģa asmens puse necentrējas, un šādā gadījumā izvēlieties, vai atkritumu materiāls atrodas asmens iekšējā vai ārējā pusē ⑤

**! zāģējuma platumu nosaka nevis zāģa asmens korpusa biezums, bet gan tā zobu izvērsuma platums**

**! lai pārbaudītu reālās zāģējuma līnijas atbilstību iepriekš iezīmētajai, pirms darba vienmēr veiciet izmēģinājuma zāģējumus**

- Putekļu uzsūkšana
- pievienojiet putekļsūcēju instrumenta savienotajam Y ⑨

**! darba laikā vadiet ripzāģi tā, lai putekļsūcēja caurule netraucētu apakšējā asmens aizsarga pārvietošanos vai zāģēšanas procesu**

- Instrumenta darbināšana ⑨
- pievienojiet ripzāģa elektrokabeli barojošajam elektrotilklam
- darba laikā stingri turiet ripzāģi ar abām rokām aiz rokturiem R un S
- uzsākot zāģēšanu, novietojiet instrumenta pamatnes priekšējo daļu uz zāģējamā priekšmeta virsmas
- ! nodrošiniet, lai pirms ripzāģa ieslēgšanas asmens zobi nepieskartos zāģējamajam priekšmetam**
- ieslēdziet instrumentu, vispirms nospiežot pogu B (= drošības slēdzis bez fiksācijas) un pēc tam nospiežot ieslēdzēja taustiņu A

**! kontaktējiet instrumenta asmeni ar zāģējamo priekšmetu tikai pēc tam, kad tā asmens griešanās ātrums ir sasniedzis nominālo vērtību**

- ripzāģa apakšējais asmens aizsargs F atveras automātiski, asmenim ieejot zāģējamajā priekšmetā (asmens aizsargs jāatver ar sviras G palīdzību tikai īpašos gadījumos, piemēram, veicot zāģēšanu ar

asmens iegremdēšanu)

**! nemēģiniet darbinstrumentam piemērot spēku (piemērojiet vieglu un nepārtrauktu spiedienu, lai izvairītos no asmens galu pārkašanas, vai, ja tiek griezta plastmasa, no plastmasas materiāla kušanas)**

**! darba laikā vienmēr turiet instrumentu aiz pelēkās krāsas noturvirsmas(ām)**

- darba operācijas beigās, izslēdziet instrumentu, atbrīvojot ieslēdzēja taustiņu A

**! pirms instrumenta pacelšanas no zāģējamā priekšmeta nogaidiet, līdz tā asmens pilnīgi apstājas**

## PRAKTISKI PADOMI

- Lai novērstu zāģējamā priekšmeta virsmas plaisāšanu, to ieteicams novietot tā, lai priekšmeta dekoratīvā puse (virspuse) būtu vērsta lejup
- Lietojiet tikai asus zāģa smērņus, kuru tips atbilst zāģējamā materiāla īpašībām un apstrādes veidam ⑩
- zāģējuma kvalitāti iespējams uzlabot, lietojot zāģa asmeni ar palielinātu zobu skaitu
- zāģa asmeņi ar cietmetāla zobiem saglabā darbam nepieciešamo asumu līdz 30 reizēm ilgāk, nekā parastā tipa zāģa asmeņi
- Paralēlā vadotne Z ⑪
- ir paredzēta precīzu zāģējumu veidošanai paralēli zāģējamā priekšmeta malai
- ir nostiprināma jebkurā instrumenta pusē
- Paralēlās vadotnes stāvokļa regulēšana
- nedaudz atskrūvējiet spārnskrūvi AA
- noregulējiet vēlamo zāģēšanas platumu, izmantojot paralēlās vadotnes skalu (izmantojiet zāģējuma līnijas vizieri Q kā atsauci O punktam)
- pievelciet spārnskrūvi AA
- Iegremdēšanas zāģēšana ⑫
- iestādiēt vēlamo zāģēšanas dziļumu
- nolieciet instrumentu uz priekšu, zāģējuma līnijas viziera Q jāatbilst uz detaļas atzīmētajai vēlamajai griezumam līnijai
- lietojot sviru G, atveriet apakšējo asmens aizsargu F
- ieslēdziet ripzāģi un tuviniet tā rotējošo asmeni zāģējamā priekšmeta virsmai, laižot lejup instrumenta aizmugurējo daļu un izmantojot tā priekšējo daļu kā atbalsta punktu
- pakāpeniski iegremdējiet ripzāģa asmeni zāģējamajā priekšmetā un vienlaikus sāciet virzīt instrumentu uz priekšu zāģējuma virzienā
- ripzāģa asmenim ieejot apstrādājamajā materiālā, atlaidiet sviru G
- ! nekad nevelciet instrumentu atpakaļvirzienā**
- Liela izmēra paneļu zāģēšana ⑬
- atbalstiet priekšmetu zāģējuma vietas tuvumā, novietojot to uz grīdas vai darbgalda
- ! iestādiēt vēlamo zāģēšanas dziļumu ar tādu aprēķinu, lai asmens izietu cauri zāģējamajam priekšmetam, bet neskartu virsmu, uz kuras balstās apstrādājams priekšmets**
- gadījumā, ja taisna zāģējuma veidošanai nav iespējams izmantot paralēlo vadotni, pienaglojiet vai citādi nostipriniet uz zāģējamā priekšmeta virsmas plakanu koka līsti, ko zāģēšanas laikā izmantojiet kā vadotni, virzot gar to ripzāģa pamatnes labo malu

## APKALPOŠANA / APKOPE

- Šis darbarīks nav paredzēts profesionālai lietošanai
- Uzturiet tīru instrumentu un elektrokabeli (īpaši ventilācijas atveres AB)
- ! **pirms instrumenta tīrīšanas atvienojiet to no elektrotīkla**
- Vienmēr raugieties, lai vieta ap apakšējo aizsargu F ② būtu tīra (savāciet putekļus un skaidas, tos aizpūšot prom ar saspiegtu gaisu vai saslaucot ar slotu)
- Pēc ripzāģa lietošanas nekavējoties attīriet tā asmeni (īpaši no sveķiem un līmes paliekām)
- Ja, neraugoties uz augsto izgatavošanas kvalitāti un rūpīgo pērcražošanas pārbaudi, instruments tomēr sabojājas, tas jānogādā remontam firmas SKIL pilnvarotā elektroinstrumentu remonta darbnīcā
  - nogādājiet instrumentu **neizjauktā veidā** kopā ar iegādes dokumentiem tuvākajā tirdzniecības vietā vai firmas SKIL pilnvarotā pēciegādes apkalpošanas un remonta iestādē (adreses un instrumenta apkalpošanas shēma ir sniegta interneta vietnē [www.skil.com](http://www.skil.com))
- Ievērojiet, ka garantijā neietilpst pārslodzes vai nepareizas instrumenta ekspluatācijas izraisītie bojājumi (SKIL garantijas noteikumus skatiet [www.skil.com](http://www.skil.com) vai vērsieties pie izplatītāja)

## APKĀRTĒJĀS VIDES AIZSARDZĪBA

- **Neizmetiet elektroiekārtas, piederumus un iesaiņojuma materiālus sadzīves atkritumos** (tikai ES valstīm)
  - saskaņā ar Eiropas Savienības direktīvu 2012/19/ES par nolietotajām elektriskajām un elektroniskajām iekārtām un tās atspoguļojumiem nacionālajā likumdošanā, nolietotās elektroiekārtas ir jāsavāc, jāizjauc un jānogādā atsevišķai pārstrādei apkārtējai videi nekaitīgā veidā
  - īpašs simbols ⑤ atgādina par nepieciešamību izstrādājumus izmantot videi nekaitīgā veidā

## TROKSNIS / VIBRĀCIJA

- Veicot mērījumus atbilstoši EN 62841, šī instrumenta akustiskā spiediena līmenis ir 97,0 dB(A), akustiskās jaudas līmenis ir 108,0 dB(A) (nenoteiktība K = 3 dB), bet vibrācija \* (triaksiālā vektora summa; nenoteiktība K = 1.5 m/s<sup>2</sup>)
  - \* zāģējot koku 4,0 m/s<sup>2</sup>
  - \* zāģējot metālu 2,8 m/s<sup>2</sup>
- Vibrācijas līmenis ir noteikts, izmantojot standartā EN 62841 paredzēto procedūru; to var izmantot, lai salīdzinātu instrumentus un provizoriski izvērtētu vibrācijas iedarbību, lietojot instrumentu minētajiem mērķiem
  - instrumenta izmantošana citiem mērķiem vai ar citiem vai nepietiekami koptiem piederumiem var ievērojami **paliecināt** kopējo vibrācijas iedarbības pakāpi
  - laika periodi, kad instruments ir izslēgts vai arī ir ieslēgts, taču darbs ar to nenotiek, var ievērojami **samazināt** kopējo vibrācijas iedarbības pakāpi
- ! **pasargājiet sevi no vibrācijas iedarbības, veicot instrumentu un tā piederumu tehnisko apkopi, novēršot roku atdzišanu un pareizi organizējot darbu**

LT

## Diskinis pjūklas

5820/5830

### IĻVADAS

- Šiuo prietaisu galima atlikti išilginius ir skersinius pjūvius medienoje, pjaunant statmenai arba 50° kampū; naudojant atitinkamos paskirties pjūklo diskus galima pjauti ir spalvotuosius metalus, lengvas statybines medžiagas ir plastiką
- Šis įrankis neskirtas profesionaliam naudojimui
- Perskaitykite ir išsaugokite šią naudojimo instrukciją ③

## TECHNINIAI DUOMENYS ①

### PRIETAISO ELEMENTAI ②

- A Gaiduko jungiklis
- B Apsauginis jungiklis
- C Suklio blokavimo mygtukas
- D Disko varžtas
- E Flanšas
- F Apatinis apsauginis gaubtas
- G Apatinio apsauginio gaubto atidarymo svirtelė
- H Prispaudimo plokštuma
- J Rankenėlė pjovimo gyliui nustatyti
- K Atrama
- L Pjovimo gylio žymeklis
- M Rankenėlė pjovimo kampo nustatymui
- N Pjovimo kampo žymeklis
- P 90° galinės padėties reguliavimo varžtas
- Q Pjovimo linijos dangtelis
- R Užpakalinė rankena
- S Prieikinė rankena
- T Disko veržlių raktas
- V Disko veržliarakčio dėklas
- W Dulkių nusiurbimo atvamzdžio
- Y Dulkių nusiurbimo atvamzdį
- Z Lygiagrečiai atrama
- AA Rankenėlė lygiagrečio atramos nustatymui
- AB Ventilacinės angos

## SAUGA

### BENDRIEJI ELEKTRINIŲ ĮRANKIŲ SAUGOS ĮSPĖJIMAI

**⚠ ĮSPĖJIMAS Perskaitykite visus su šiuo elektriniu prietaisu pateiktus saugos perspėjimus, instrukcijas, paveikslėlius ir specifikacijas.** Nepaisant toliau pateiktų instrukcijų galite patirti elektros smūgį, įvykti gaisras ir / ar patirti rimtų sužalojimų.

### Išsaugokite visus įspėjimus ir instrukcijas ateičiai.

Terminas „elektros įrankis“ įspėjimuose reiškia jūsų iš elektros tinklo (laidais) maitinamus įrankius arba elektros įrankius, veikiančius nuo baterijų (belaizdžius).

### 1) DARBO VIETOS SAUGUMAS

- a) **Darbo vieta turi būti švari ir tvarkinga.** Netvarka ar blogai apšviesta darbo vieta gali tapti nelaimingų atsitikimų priežastimi.

- b) **Nedirbkite tokioje aplinkoje, kur yra degių skysčių, dujų ar dulkių.** Elektriniai įrankiai gali kibirkščiuoti, o nuo kibirkščių dulkės arba susikaupę garai gali užsidegti.
- c) **Dirbdami su elektriniu įrankiu neleiskite šalia būti žiūrovams, vaikams ir lankytojams.** Nukreipę dėmesį į kitus asmenis galite nebesuvaldyti prietaiso.
- 2) ELEKTROSAUGA**
- a) **Maitinimo laido kištukas turi atitikti tinklo rozetės tipą.** Kištuko jokiū būdu negalima modifikuoti. **Nenaudokite jokių kištuko adapterių su žemintais prietaisais.** Originalūs kištukai, tiksliai tinkantys elektros tinklo rozetei, sumažina elektros smūgio pavojų.
- b) **Venkite kūno kontakto su žemintais paviršiais, tokiais kaip vamzdžiai, šildytuvai, viryklės ar šaldytuvai.** Egzistuoja padidinta elektros smūgio rizika, jei Jūsų kūnas bus žemintas.
- c) **Saugokite prietaisą nuo lietaus ir drėgmės.** Jei vanduo patenka į elektrinį prietaisą, padidėja elektros smūgio rizika.
- d) **Nenaudokite maitinimo laido ne pagal paskirtį, t. y. neneškite prietaiso paėmę už laido, nekabinkite prietaiso už laido, netraukite už jo, norėdami išjungti kištuką iš rozetės. Laidą klokite taip, kad jo neveiktų karštis, jis neišsitemptų alyva ir jo nepažeistų aštrios detalės ar judančios prietaiso dalys.** Pažeisti arba susipynę laidai gali tapti elektros smūgio priežastimi.
- e) **Jei su elektriniu įrankiu dirbate lauke, naudokite tik tokius ilginimo kabelius, kurie tinka lauko darbams.** Naudojant lauko darbams pritaikytus ilginimo kabelius, sumažinamas elektros smūgio pavojus.
- f) **Jei su elektriniu įrankiu neišvengiamai reikia dirbti drėgnoje aplinkoje, naudokite žeminimo grandinės pertraukiklį.** Naudojant žeminimo grandinės pertraukiklį, sumažėja elektros smūgio pavojus.
- 3) ŽMONIŲ SAUGA**
- a) **Būkite atidūs, sutelkite dėmesį į tai, ką Jūs darote ir, dirbdami su elektriniu įrankiu, vadovaukitės sveiku protu. Nedirbkite su prietaisu, jei esate pavargę arba vartojote narkotikus, alkoholį ar medikamentus.** Akimirksnio neatidumas naudojant prietaisą gali tapti rimtų sužalojimų priežastimi.
- b) **Naudokite asmenines apsaugos priemones ir visuomet užsidėkite apsauginius akinius.** Naudojant asmenines apsaugos priemones, pvz., respiratorį ar apsauginę kaukę, neslystančius batus, apsauginį šalną, klausos apsaugos priemones ir kt., rekomenduojamas dirbant su tam tikros rūšies įrankiais, sumažėja rizika susižeisti.
- c) **Saugokitės, kad neįjungtumėte prietaiso atsitiktinai. Prieš prijungdami elektrinį įrankį prie elektros tinklo ir/arba akumuliatoriaus, prieš pakeldami ar nešdami įsitikinkite, kad jis yra išjungtas.** Jeigu nešdami elektrinį įrankį pirštą laikysite ant jungiklio arba prietaisą įjungsitė į elektros tinklą, kai jungiklis yra įjungtas, gali įvykti nelaimingas atsitikimas.
- d) **Prieš įjungdami prietaisą pašalinkite reguliavimo įrankius arba veržlių raktus.** Prietaiso besisukančioje dalyje esantis įrankis ar raktas gali tapti sužalojimų priežastimi.
- e) **Nepervertinkite savo galimybių. Dirbdami atsistokite patikimai ir visada išlaikykite pusiausvyrą.** Patikima stovėseną ir tinkama kūno laikysena leis geriau kontroliuoti prietaisą netikėtose situacijose.
- f) **Dėvėkite tinkamą aprangą. Nedėvėkite plačių drabužių ir papuošalų. Saugokite plaukus ir drabužius nuo besisukančių elektrinio įrankio dalių.** Laisvus drabužius, papuošalus bei ilgus plaukus gali įtraukti besisukančios dalys.
- g) **Jei yra numatyta galimybė prijungti dulkių nusiurbimo ar surinkimo įrenginius, visada įsitikinkite, ar jie yra prijungti ir ar teisingai naudojami.** Naudojant dulkių nusiurbimo įrenginius sumažėja kenksmingas dulkių poveikis.
- h) **Dažnai naudodami įrankį ir gerai su juo susipažinę pernelyg neatsipalaiduokite ir nepradėkite nepaisyti įrankio saugos principų.** Neatidus veiksmas gali sukelti sunkią traumą per sekundės dalį.
- 4) RŪPESTINGA ELEKTRINIŲ ĮRANKIŲ PRIEŽIŪRA IR NAUDOJIMAS**
- a) **Neperkraukite prietaiso. Naudokite Jūsų darbui tinkamą elektrinį įrankį.** Su tinkamu elektriniu įrankiu Jūs dirbsite geriau ir saugiau, jei neviršysite nurodyto galimumo.
- b) **Nenaudokite elektrinio įrankio su sugedusiu jungikliu.** Elektrinis įrankis, kurio nebegalima įjungti ar išjungti, yra pavojingas ir jį reikia remontuoti.
- c) **Prieš reguliuodami prietaisą, keisdami darbo įrankius ar prieš valydami prietaisą, iš elektros tinklo lizdo ištraukite kištuką ir/arba išimkite akumuliatorių, jeigu jis išimamas.** Ši saugumo priemonė apsaugos jus nuo netikėto prietaiso įsijungimo.
- d) **Nenaudojamą prietaisą sandėliuokite vaikams ir nemokantiems juo naudotis asmenims neprieinamoje vietoje.** Elektriniai įrankiai yra pavojingi, kai juos naudoja nepatyrę asmenys.
- e) **Pržiūrėkite elektrinį įrankį ir priedus. Tikrinkite, ar besisukančios prietaiso dalys tinkamai veikia ir niekur nekliūva, ar nėra sulūžusių ar šiaip pažeistų dalių, kurios įtakotų prietaiso veikimą.** Prieš vėl naudojant prietaisą pažeistos prietaiso dalys turi būti suremontuotos. Daugelio nelaimingų atsitikimų priežastis yra blogai prižiūrimi elektriniai įrankiai.
- f) **Pjovimo įrankiai turi būti aštrūs ir švarūs.** Rūpestingai prižiūrimi pjovimo įrankiai su aštriomis pjaujamosiomis briaunomis mažiau stringa ir juos yra lengviau valdyti.
- g) **Elektrinį įrankį, papildoma įrangą, darbo įrankius ir t. t. naudokite taip, kaip nurodyta šioje instrukcijoje. Taip pat atsižvelkite į darbo sąlygas bei atliekamo darbo pobūdį.** Naudojant elektrinius įrankius ne pagal jų paskirtį galima sukelti pavojingas situacijas.
- h) **Rankenos ir suėmimo paviršiai turi būti sausi, švarūs, ant jų neturi būti alyvos ir tepalų.** Dėl slidžių rankenų ir suėmimo paviršių negalėsite saugiai išlaikyti ir suvaldyti įrankio netikėtose situacijose.
- 5) APTARNAVIMAS**
- a) **Prietaisą turi remontuoti tik kvalifikuotas specialistas ir naudoti tik originalias atsargines dalis.** Taip galima garantuoti, jog prietaisas išliks saugus.

## DIRBŲ SAUGOS INSTRUKCIJOS DIRBANTIEMS SU DISKINIAIS PJŪKLAIS

### 1) PJOVIMO OPERACIJA

- a) **PAVOJUS : Nekiškite rankų į pjovimo zoną ir prie pjūklo disko. Antrąja ranka laikykite papildomą**



**rankeną arba variklio korpusą.** Jei pjūklas laikomas abiem rankomis, tai pjūklas diskas jų nesužalos.

- b) **Nelieskite apdirbamo ruošinio apačios.** Apsauginis gaubtas neapsaugos jūsų nuo ruošinio apačioje išlindusio pjūklo disko.
- c) **Pjovimo gylį tinkamai nustatykite pagal ruošinio storį.** Ruošinio apačioje turi matytis šiek tiek mažiau, nei visas pjūklo dantis.
- d) **Pjaunamojo ruošinio niekada nelaiykite rankose ar pasidėję ant kojos. Patikimai jį įtvirtinkite stabiliume įtvare.** Labai svarbu ruošinį tinkamai įtvirtinti, kad išvengtumėte pjūklo kontakto su jūsų kūnu, neužstrigtų pjūklo diskas ar neprarastumėte kontrolės.
- e) **Elektrinį prietaisą laikykite tik už izoliuotų rankenų, nes asmenys gali liesti paslėptus elektros laidus ar paties prietaiso maitinimo laidą** (ašmenims palietus laidą, kuriuo teka elektros srovė, atvirose metalinėse elektrinio prietaiso dalyse atsiranda įtampa ir naudojotąs gali gauti elektros smūgį)
- f) **Atliekant išilginį pjūvį visada naudokite lygiagrečią atramą arba kreipiančiąją liniuotę.** Tuomet pjausite tiksliau ir sumažinsite pjūklo strigimo tikimybę.
- g) **Naudokite tik tinkamo dydžio pjūklo diskus ir su tinkama tvirtinimo anga (pvz., žvaigždės formos arba apvalia).** Pjūklo diskai, kurie neatitinka pjūklo tvirtinamųjų dalių formos, sukasi ekscentriškai, todėl iškyla pavojus nesuvaldyti prietaiso.
- h) **Niekada nenaudokite pažeistų ar netinkamų pjūklo disko tarpinių poveržlių ir varžtų.** Pjūklo disko tarpinės poveržlės ir varžtai buvo sukonstruoti specialiai Jūsų pjūklui, kad būtų garantuotas optimalus rezultatas ir saugus darbas.

## 2) ATATRANKA – PRIEŽASTYS IR ATITINKAMOS SAUGOS NUORODOS

- Atatranka yra staigi reakcija dėl įsprausto, užsikirtusio ar blogai nukreipto pjūklo disko, kuomet pjūklas nekontroliuojamai išsoka iš ruošinio link naudotojo
- Jei pjūklo diskas yra per stipriai prispaudžiamas arba užspaudžiamas į apačią siaurėjančiame pjūvio plyšyje, jis sustoja, o veikiantis variklis tuomet staiga meta prietaisą atgal link naudotojo
- Jei pjaunant pjūklo diskas persikreipia ar yra neteisingai nukreipiamas, pjūklo disko užpakalinės briaunos dantys gali įsikibinti į medžio paviršių ir tuomet, pjūklo diskui išsilaisvinus iš plyšio, pjūklas atsoka naudotojo link
- Atatranka yra neteisingo elektrinio prietaiso naudojimo arba klaidos pasekmė. Jos galima išvengti, jei imsitės atitinkamų priemonių, kaip aprašyta žemiau.
- a) **Pjūklą visada tvirtai suspauskite abiem rankom ir rankas laikykite tokioje padėtyje, kad galėtumėte įveikti atatranks jėgas.** Jūsų kūnas turėtų būti šalia pjūklo disko, bet jokių būdu ne vienoje linijoje su pjūklo disku. Dėl atatranks pjūklas galėtų atsokti atgal, bet naudojotąs gali kontroliuoti atatranks jėgas, jei imsitės atitinkamų priemonių.
- b) **Jei pjūklo diskas užstringa arba jei dėl kokios nors priežasties pjovimo procesas yra nutraukiamas, išjunkite jungiklį ir pjūklą palikite ruošinyje, kol pjūklo diskas visiškai sustos. Niekada nebandykite pjūklo disko ištraukti iš ruošinio ar pjūklą traukti atgal, kol pjūklo diskas dar sukasi, nes tai gali sąlygoti atatranką.** Patikrinkite tai ir imkitės priemonių pjūklo disko strigimo priežastims pašalinti. Nepjaukite

vinių ir varžtų.

- c) **Vėl įjungdami pjūklą ruošinyje, centruokite pjūklo diską pjūvio plyšyje ir patikrinkite, ar pjūklo dantys nėra įsikibinę į ruošinį.** Jei pjūklo diskas stringa, vėl įjungus pjūklą, jis gali iškilti į viršų arba gali atsirasti atatranka.
  - d) **Norėdami minimizuoti pjūklo disko užsikirtimą ar atatranks galimybę, dideles plokštes paremkite.** Didelės plokštes dėl savo svorio išlinksta. Plokštė turi būti atremta iš abiejų pusių, t.y. šalia pjovimo linijos ir šalia plokštės krašto.
  - e) **Nenaudokite neaštrių ir pažeistų pjūklo diskų.** Neaštrūs ar blogai praskėsti pjūklo dantys palieka siauresnį pjovimo taką, todėl atsiranda per didelę trintį, atatranka, stringa pjūklo diskas.
  - f) **Apsauginė rankenėlė, kuria reguliuojamas pjovimo gylis ir pjūklo disko posvirio kampas, prieš pjaunant turi būti tvirtai ir patikimai užveržta.** Jei pjaunant keičiasi pjūklo disko padėtis, tai gali sąlygoti įstrigimą ir atatranką.
  - g) **Būkite ypač atsargūs pjaudami sienose ar kituose nepermatomuose paviršiuose.** "Panyrantis" į ruošinį pjūklo diskas pjaudamas paslėptus objektus gali įstrigti ir sukelti atatranką.
- ### 1) APATINIO APSAUGINIO GAUBTO FUNKCIJA
- a) **Prieš kiekvieną naudojimą patikrinkite, ar apatinis apsauginis gaubtas tinkamai užsidaro. Nenaudokite pjūklo, jei apatinis apsauginis gaubtas negali laisvai judėti ir tuojau neužsidaro.** Niekuomet nebandykite užfiksuoti apatinio apsauginio gaubto atidarytoje padėtyje ką nors ten įspraudami ar jį pririšdami. Jei pjūklas netyčia nukrenta, dėl to gali įlinkti apatinis apsauginis gaubtas. Ištraukite kištuką iš elektros lizdo, naudodami pakėlimo rankeną atidarykite jį ir įsitinkinkite, kad jis juda laisvai ir neliečia nei pjūklo disko, nei kurios nors kitos kokios dalies, kreipiant pjūklą įvairiais kampais ir nustatant įvairių pjovimo gylį.
  - b) **Patikrinkite apatinio apsauginio gaubto spyruoklių veikimą. Jei apatinis apsauginis gaubtas ir spyruoklės veikia netinkamai, prieš naudojimą jiems reikia atlikti techninę profilaktiką.** Dėl pažeistų dalių, lipniuosėdų arba susikaupusių nešvarumų apatinis gaubtas gali sunkiau judėti.
  - c) **Apatinį apsauginį gaubtą rankiniu būdu atidaryti galima tik atliekant specialius pjūvius, pvz., panardinant pjūklą ruošinio viduryje. Apatinį apsauginį gaubtą pakelkite rankenėle, ir, kai tik pjūklo diskas sulęs į ruošinį, paleiskite apatinį apsauginį gaubtą.** Atliekant kitus pjovimo darbus apatinis apsauginis gaubtas atsidaro ir užsidaro savaime.
  - d) **Prieš padėdami pjūklą ant pjovimo stalo ar ant grindų visada įsitinkinkite, kad apatinis apsauginis gaubtas apgaubia pjūklo diską.** Jei apsauginis gaubtas neužsidaro, dėl besisukančio pjūklo disko pjūklas gali judėti atgal ir pjauti viską, kas pasitaiko jo kelyje. Turėkite omenyje, kad atleidus jungiklį turi praeiti šiek tiek laiko, kol pjūklo diskas visiškai sustoja.

## PAPILDOMOS SAUGOS NUORODOS

- Įeinančios srovės sukelia trumpus įtampos kritimus; netinkamos elektros energijos tiekimo sąlygos gali turėti įtakos jūsų įrangai (jei sistemos srovės tiekimo suminė

varža yra mažesnė kaip 0,468 omai, gali atsirasti trukdžiai); jei reikia išsamesnio paaiškinimo, kreipkitės į savo vietinę elektros energijos tiekimo įstaigą

## BENDROJI DALIS

- Šį prietaisą turėtų naudoti tik asmenys, kuriems 16 ir daugiau metų
- Šis prietaisas netinka pjovimui šlapiuoju būdu
- **Prieš reguliuojant prietaisą arba keičiant darbo įrankius, ištraukite kištuką iš el. tinklo lizdo**
- Niekada nenaudokite įrankio, jei laidas pažeistas; jį reikia pakeisti specialiu laidu remonto įmonėje.
- **Draudžiama apdirbti medžiagas, kurių sudėtyje yra asbesto** (asbestos pasižymi vėžį sukeliančiu poveikiu)
- Kai kurių medžiagų, kaip antai dažų, kurių sudėtyje yra švino, kai kurių medžių rūšių medienos, mineralų ir metalo dulksės gali būti kenksmingos (kontaktas su šiomis dulksėmis arba įkvėptos dulksės gali sukelti operatoriui arba šalia esantiems žmonėms alergines reakcijas ir/arba kvėpavimo sistemos susirgimus); **mūvėkite priešdulkinę puskaukę arba dirbdami naudokite dulkių ištraukimo įrenginį, jei jį galima prijungti**
- Kai kurių rūšių dulksės priskiriamos kancerogeninėms (pvz., ažuolo arba buko medienos dulksės), ypač susimaišiusios su medienos taurinimi naudojamais priedais; **mūvėkite priešdulkinę puskaukę arba dirbdami naudokite dulkių ištraukimo įrenginį, jei jį galima prijungti**
- Vadovaukitės Jūsų šalyje taikomų direktyvų reikalavimais, skirtais medžiagoms, su kuriomis norite dirbti
- Naudokite tik tokį pjovimo stalą, kuris aprūpintas jungikliu, apsaugančiu nuo netikėto pakartotino įsijungimo tuo atveju, kai nutrūksta ir vėl atsiranda elektros srovė
- Naudokite tik pjovimo stalą su integruotu skeliančiuoju peiliu

## PRIEDAI

- SKIL gali garantuoti nepriekaištingą prietaiso veikimą tik tuo atveju, jei naudojama originali papildoma įranga ir priedai
- Naudokite tik tokius pjūklų diskus, kurie atitinka šioje naudojimo instrukcijoje pateiktus duomenis ir yra patikrinti pagal EN 847-1 bei atitinkamai paženklininti
- Leidžiama naudoti tik tokius įrankius, kurių maksimalus leistinas apsisukimų skaičius yra ne mažesnis, nei maksimalus Jūsų prietaiso sukčių skaičius
- Naudokite tik tokius pjūklų diskus, kurių skersmuo ne mažesnis kaip 184 mm, ne didesnis kaip 184 mm, o veleno angos skersmuo – 16 mm (**5820**)
- Naudokite tik tokius pjūklų diskus, kurių skersmuo ne mažesnis kaip 190 mm, ne didesnis kaip 190 mm, o veleno angos skersmuo – 16 mm (**5830**)
- Neleidžiama naudoti diskų iš aukštai legiruoto greitapjovio plieno (HSS)
- Nenaudokite abrazyvinių pjovimo diskų dirbdami su šiuo prietaisu

## PRIEŠ EKSPLOATACIJĄ

- Visada patikrinkite, ar elektros tinklo įtampa sutampa su įtampos dydžiu, nurodytu prietaiso vardinėje lentelėje
- Saugokitės, kad nepažeistumėte prietaiso į ruošinyje esančius varžtus, vinius ir pan; prieš pradėdami darbą juos pašalinkite
- Prieš pradėdami pjauti pašalinkite visas pjūvio linijoje esančias kliūtis tiek ruošinio viršuje, tiek ir apačioje
- **Saugiai laikykite tvirtinamą dirbinį** (dirbinį, kuris segamas ar kalamas kabų kalimo įrankiais, saugiau laikyti spaustuviu nei ranka)

- **Naudodami tam skirtus paieškos prietaisus, patikrinkite, ar gręžimo vietoje nėra paslėptų komunalinių tinklų vamzdinių, arba pasikvieskite į pagalbą vietinius komunalinių paslaugų tiekėjus** (kontaktas su elektros laidais gali sukelti gaisro bei elektros smūgio pavojų; pažeidus dujotiekio vamzdį, gali įvykti sprogimas; pažeidus vandentiekio vamzdį, galima pridaryti daugybę nuostolių bei sukelti elektros smūgio pavojų)
- Naudodami ilginamuosius kabelius atkreipkite dėmesį į tai, kad kabelis būtų iki galo išvyniotas ir būtų pritaikytas 16 A elektros srovei

## EKSPLOATACIJA

- Darbo metu triukšmo lygis gali viršyti 85 dB(A); naudoti klausos apsaugos priemonės
- Niekuomet nenaudokite prietaiso be originalios apsauginės įrangos
- Nemėginkite pjauti labai mažų ruošinių
- Nedirbkite su prietaisu išklėję jį virš galvos
- Jeigu pjūklas užsiblokavo arba pajutote, kad prietaisas veikia ne taip, kaip visada, arba girdisi nebūdingi garsai, tuojau pat jį išjunkite ir ištraukite kištuką iš elektros tinklo lizdo
- Jei dirbant bus pažeistas ar nutrauktas kabelis, būtina noliečiant kabelio tuojau pat ištraukti kištuką iš elektros tinklo lizdo

## PO EKSPLOATACIJOS

- Prieš padėdami prietaisą jį išjunkite ir palaukite, kol visos besisukančios jo dalys visiškai sustos
- Išjungus pjūklą, negalima stabdyti besisukančio disko šoniniu prispaudimu

## ANT PRIETAISO ESANČIŲ SIMBOLIŲ REIKŠMĖS

- ③ Prieš naudodami įrankį perskaitykite instrukcijų vadovą
- ④ Dviguba izoliacija (įžeminimo laido nereikia)
- ⑤ Nemeskite prietaisus į buitinių atliekų konteinerius

## NAUDOJIMAS

- Pjūklų geležtės montavimas ②
- ! **Ištraukite kištuką iš elektros lizdo**
  - iš lizdo V atraminėje plokštėje išimkite šešiabriaunį raktą T
  - suklio blokavimo mygtuką C paspauskite ir laikykite, kol disku raktu T išsuksite disko prispaudimo varžtą D
- ! **suklio blokavimo mygtuką C spauskite tik prietaisui sustojus**
  - atleiskite suklio blokavimo mygtuką C
  - nuimkite flanšą E
- ! **pasirūpinkite, kad flanšo prispaudimo plokštumos H būtų visiškai švarios ir būtų nukreiptos į pjūklų disko pusę**
  - rankenėle G atidarykite apatinį apsauginį gaubtą F ir laikykite atidarytą, kol montuokite pjūklą diską; žiūrėkite, kad rodyklių, esančių ant pjūklų disko ir ant pjūklų viršutinio apsauginio gaubto, kryptys sutaptų
  - uždarykite apatinį apsauginį gaubtą F
  - uždėkite flanšą E
- suklio blokavimo mygtuką C paspauskite ir laikykite, kol raktu užveršite disko prispaudimo varžtą iki galo, o po to atsukite jį per 1/8 apsisukimo (užtikrina disko praslydimą, pjūklų dantims sutikus didelį pasipriešinimą; taip sumažėja variklio perkrova ir atatranks pavojus)
- atleiskite suklio blokavimo mygtuką C

- Pjovimo gylio reguliavimas ⑥
  - optimali pjovimo kokybė pasiekama tuomet, kai pjūklo diskas išsikšia ruošinio apačioje ne daugiau kaip per 3 mm
  - atlaisvinkite rankenėlę J
  - kojelę K pakelti arba nuleisti žemyn, pagal žymę L skalėje nustatyti norimą pjovimo gylį
  - vėl užveržkite rankenėlę J
- Pjovimo kampo nustatymas (0-50°) ⑦
  - atlaisvinkite rankenėlę M
  - prietaisą paverskite norimu kampu, orientuodamiesi pagal žymeklio N padėtį skalėje
  - vėl užveržkite rankenėlę M

**! atliekant įstrižus pjūvius, pavertus pjūklo diską kampu, gylio skalėje pažymėtos padalos neatitinka tikrojo pjovimo gylio**
- 90° kampo patikrinimas ⑦
  - kojelę K nustatyti į maksimalaus pjovimo gylio padėtį ir užfiksuoti ⑥
  - pjovimo kampą nustatyti ties 0° padala ir užfiksuoti
  - kampainiu patikrinkite, ar yra 90° kampas tarp pjūklo disko ir atraminės plokštės apatinės plokštumos
  - jei reikia reguliuoti, atlaisvinti rankenėlę M ir naudoti reguliavimo varžtu P kaip parodyta
- Reguluojama pjūvio linijos žymė Q ⑧
  - padeda tiksliai vesti prietaisą pagal ant ruošinio užbrėžtą liniją
  - tiesiam 0° arba įstrižam 45° pjūviui reikia naudoti atitinkamą žymeklio liniją

**! didesnė atraminės plokštumos dalis turi gulti ant paremtos ruošinio dalies**

  - gali būti sureguliuotas su skirtingų pločių pjūklais, tačiau gali pasitaikyti, kad viena pjūklo disko pusė nesutampa. Tada pasirinkite, ar ant vidinės ar išorinės disko pusės nėra įstrigiusių nešvarumų ③

**! pjūvio plotis priklauso nuo pjūklo dantų tako pločio, o ne nuo disko storio**

**! norėdami sužinoti tikrąją pjūvio liniją, visuomet pirmiausiai atlikite bandomąjį pjūvį**
- Dulkių nusiurbimas
  - užmaukite nusiurbimo žarną ant adapterio Y ⑨

**! pasirūpinkite, kad nusiurbimo žarna nesudarytų kliūties apatiniams apsauginiam gaubtui ir netrukdytų dirbti**
- Prietaiso naudojimas ⑨
  - Įjunkite kištuką į el. tinklo rozetę
  - visuomet laikykite viena ranka suėmę rankeną R, o kita – rankeną S
  - uždėkite prietaisą atraminės plokštės priekine dalimi ant ruošinio

**! žiūrėkite, kad pjūklo dantys nesiremtų į ruošinį**

  - Įjunkite prietaisą, pirmiausiai nykščiu nuspausdami mygtuką B (apsauginis jungiklis, kurio negalima užfiksuoti), o po to nuspausdami jungiklį A

**! pjūklo diskas pirmiausia turi pilnai įsibėgėti, tik po to jį galima glausti prie ruošinio**

  - apatinis apsauginis gaubtas F atsidaro savaime, kuomet pjūklo diskas įjaunant sulenda į ruošinį (apatinį apsauginį gaubtą rankiniu būdu atidaryti galima tik atliekant specialius pjūvius, pvz., panardinant pjūklą ruošinio viduryje; atidarymui naudoti rankenėlę G)

**! nespauskite įrankio (kad neperkaistų pjūklo dantys ir, įjaustant plastiką, pastarasis nesilydytu,**

**spauskite lengvai ir nuolat)**

**! dirbdami laikykite prietaisą už pilkos spalvos suėmimo vietos(-ų)**

- užbaigę pjūvį, išjunkite prietaisą, atleisdami jungiklį A

**! prieš atitraukdami prietaisą nuo ruošinio**

**įsitikinkite, kad pjūklo diskas visiškai sustojo**

## NAUDOJIMO PATARIMAI

- Visuomet guldykite ruošinį gerąja puse į apačią, taip bus žymiai mažiau atplaišų
- Naudokite tik aštirus, tinkamos rūšies pjūklo diskus ⑩
  - geresnė pjūvio kokybė gaunama naudojant pjūklo diskus su didesniu dantų skaičiumi
  - pjūklo diskai su kietlydinio plokštelėmis tarnauja iki 30 kartų ilgiau, nei įprastiniai pjūklo diskai
- Lygiagreti atrama Z ⑪
  - skirta tiksliems lygiagrečiams pjūviams pagal ruošinio kraštą
  - galima iš abiejų pusių įstatyti į atraminę plokštę Lygiagrečios atramos nustatymas
  - atlaisvinkite rankenėlę AA
  - nustatyti norimą pjūvio plotį, naudojant lygiagrečią atramą (pjūvio linijos žymė Q naudokite kaip 0 orientyrą)
  - vėl užveržkite rankenėlę AA
- Pasinerti pjūvimo ⑫
  - nustatykite norimą pjūvimo gylį
  - veskite įrankį pirmyn taip, kad pjūvio linijos žymė Q tiksliai atitiktų reikiamą pjūvio liniją, užbrėžtą ant ruošinio
  - rankenėlę G atidarykite apatinį apsauginį gaubtą F
  - prieš pat pjūklo dantims prisiliečiant prie ruošinio įjunkite pjūklą ir, iš lėto nuleisdami galinę prietaiso dalį, įpaukite ruošinį; priekinė atraminės plokštės dalis visą tą laiką turi būti atremta į ruošinį ir tarnauti kaip atramos taškas
  - lėtai įleidę pjūklo diską į ruošinį, po truputį pjūklą stumkite ir į priekį
  - kuomet atraminė plokštė visiškai priglus prie ruošinio, paleiskite rankenėlę G
- **! jokiū būdu netraukti pjūklo atgal**
- Didelių plokščių pjaustymas ⑬
  - plokštę atremkite netoli pjūvio linijos, paguldę ją ant grindų, stalo ar varstoto
- **! pjūvimo gylį nustatykite taip, kad perpjautumėte tik plokštę, bet neįpjautumėte atramos, ant kurios ji guli**
- jei lygiagrečios atramos nepakanka norimam pjūvimo pločiui nustatyti, prie ruošinio pritvirtinkite tiesią medinę juostelę, kurią panaudokite kaip kreipiančiąją liniuotę; priglauskite prie jos dešinįjį atraminės plokštės kraštą ir stumkite prietaisą išilgai šios liniuotės

## PRIEŽIŪRA / SERVISAS

- Šis įrankis nes skirtas profesionaliam naudojimui
- Periodiškai valykite prietaisą ir kabelį (ypač ventiliacines angas AB)
- **! prieš valydami ištraukite kištuką iš elektros tinklo lizdo**
- Rūpinkitės, kad plotas aplink apatinį apsauginį gaubtą F ② būtų visada švarus (dulkes ir pjuvenas išpūskite suspaustu oru arba valykite šepetėliu)

- По пјовимо iš karto nuvalykite pjūklo diską (ypač nuo dervų bei lakų liekanų)
- Jeigu prietaisas, nepaisant gamykoje atliekamo kruopštaus gamybos ir kontrolės proceso, vis dėlto sugestų, jo remontas turi būti atliekamas įgaliojose SKIL elektrinių įrankių remonto dirbtuvėse
  - **neišardyta** prietaisą kartu su pirkimo čekiu siųskite tiekėjui arba į artimiausią SKIL firmos įgaliojate elektros prietaisų techninio aptarnavimo tarnybą (adresus bei atsarginių dalių brėžinius rasite www.skil.com)
- Turėkite omeny, kad garantija netaikoma, jei gedimas atsiranda dėl perkrovos ar netinkamo naudojimo (dėl SKIL garantijos sąlygų žr. www.skil.com arba kreipkitės į jus aptarnaujančią prekybą atstovą)

## APLINKOSAUGA

- **Nemeskite elektrinių įrankių, papildomos įrangos ir pakuotės į buitinių atliekų konteinerius** (galioja tik ES valstybėms)
  - pagal ES Direktyvą 2012/19/EG dėl naudotų elektrinių ir elektroninių prietaisų atliekų utilizavimo ir pagal vietinius valstybės įstatymus atitarnavę elektriniai įrankiai turi būti surenkami atskirai ir gabunami į antrinių žaliavų tvarkymo vietas, kur jie turi būti sunaikinami ar perdirbami aplinkai nekenksmingu būdu
  - apie tai primins simbolis ⑤, kai reikės išmesti atitarnavusį prietaisą

## TRIUKŠMINGUMAS / VIBRACIJA

- Išmatuotas pagal EN 62841, šio instrumento garso slėgio lygis yra 97,0 dB(A), garso galios lygis 108,0 dB(A) (neapibrėžtis K = 3 dB), vibracija \* (trishio vektoriaus suma; neapibrėžtis K = 1,5 m/s<sup>2</sup>)
  - \* medienos pјovimas 4,0 m/s<sup>2</sup>
  - \* metalo pјovimas 2,8 m/s<sup>2</sup>
- Vibracijos skaidos lygis išmatuotas pagal standarte EN 62841 išdėstytus standartizuoto bandymo reikalavimus; ši vertė gali būti naudojama vienam įrankiui palyginti su kitu bei išankstiniam vibracijos poveikiui įvertinti, kai įrankis naudojamas paminėtais būdais
  - naudojant įrankį kitokiais būdais arba su kitokiais bei netinkamai prižiūrimais priedais, gali žymiai **padidėti** poveikio lygis
  - laikotarpiais, kai įrankis išjungtas arba yra įjungtas, tačiau juo nedirbama, gali žymiai **sumažėti** poveikio lygis
- ! **apsisaugokite nuo vibracijos poveikio prižiūradami įrankį ir jo priedus, laikydami rankas šiltai ir derindami darbo ciklus su pertraukėlėmis**

МК

## Циркуларна пила 5820/5830 УПАТСТВО

- Овој алат е наменет за сечење на дрво по должина и по ширина, праволиниски и под агол до 50°; со соодветни пили; може да се сечат и материјали кои не се од железо, туку од лесна греда и пластика
- Овој алат не е наменет за професионална употреба
- Внимателно прочитајте го и зачувајте го ова упатство за ракување ③

## ТЕХНИЧКИ ПОДАТОЦИ ①

### ЕЛЕМЕНТИ НА АЛАТОТ ②

- A Прекинувач за активирање
- B Сигурносен прекинувач
- C Копче за заклучување на вретеното
- D Завртка за сечивото
- E Штитник
- F Долен штитник
- G Рачка за отворање на долниот штитник
- H Површина за зафаќање
- J Копче за одредување на длабочината на сечење
- K Ножна педала
- L Индикатор за длабочината на сечењето
- M Регулатор за прилагодување на аголот за сечење
- N Индикатор за аголот на сечењето
- P Завртка за прилагодување на крајниот граничник на 90 °
- Q Визир за линијата на пилата
- R Задна дршка
- S Предна дршка
- T Клуч за сечилото
- V Складирање на клучот за сечилото
- W Излез за деланките
- Y Адаптер за правосмукалната
- Z Водилка
- AA Копче за прилагодување на работ за прободување
- AB Отвори за вентилација

## БЕЗБЕДНОСТ

### ОПШТИ ПРЕДУПРЕДУВАЊА ЗА БЕЗБЕДНОСТ НА ЕЛЕКТРИЧНИТЕ АЛАТИ

**⚠ ПРЕДУПРЕДУВАЊЕ** Прочитајте ги сите безбедносни предупредувања, упатства, слики и спецификации што се обезбедуваат со овој алат. Непочитувањето на сите упатства подолу може да доведе до електричен удар, пожар и/или сериозна повреда..

### Чувајте ги сите предупредувања и упатства за понатамошно упатување.

Поимот “електричен алат”, кој се користи во понатамошниот текст, се однесува на вашиот електричен алат (со приклучен кабел) и на електрични алати со погон на батерии (без приклучен кабел).

### 1) БЕЗБЕДНОСТ НА РАБОТНОТО МЕСТО

- a) **Одржувајте го вашето работно место чисто и уредно.** Неуреден или темен работен простор може да предизвикаат незгоди.
- b) **Немојте да работите со уредот во средина во која има опасност од експлозија, во која има запалливи течности, гасови и прашина.** Електричните алати произведуваат искри кои можат да запалат прашина или пареа.
- c) **За време на употребата на електричниот алат, децата и останатите лица држете ги подалеку од местото на де работите.** Одвркаање, би можеле да изгубите контрола врз уредот.

## 2) ЕЛЕКТРИЧНА СИГУРНОСТ

- a) **Утикач мора да одговара на приклучокот. Никане не смее да се прават измени на штекерот. Не користете адаптерски штекер заедно со уредот кој е заштитно заземјен.** Не променети штекери и соодветни приклучоци го намалуваат ризикот од електричен удар.
  - b) **Избегнувајте допир на телото со заземјени површини, како што се цевки, радијатори, рерни и фрижидери.** Постои зголемена опасност од струен удар, доколку Вашето тело е заземјено.
  - c) **Чувајте го уредот подалеку од дожд и влага.** Продирањето на вода во електричниот уред ја зголемува опасноста од струен удар.
  - d) **Не злоупотребувајте го приклучниот кабел за носење, бесење на уредот или за извлекување на штекерот од мрежниот приклучок.** Чувајте го кабелот подалеку од топлина, масло, остри рабови или деловите на апаратот кои се движат. Оштетени или заплеткани кабли ја зголемуваат опасноста од струен удар.
  - e) **Кога го употребувате поплачот надвор, користете продолжен кабел кој е соодветен за употреба на отворен простор.** Примената на продолжен кабел соодветен за работа на отворен простор ја намалува опасноста од струен удар.
  - f) **Доколку не може да се избегне работа со електричниот алат во влажна средина, користете прекинувач за струјна заштита при технички проблеми.** Употребата на прекинувачот за струјна заштита при технички проблеми го намалува ризикот од електричен удар.
- ### 3) ЛИЧНА ЗАШТИТА
- a) **Бидете внимателни, внимавајте што правите и постапувајте внимателно додека работите со електричниот алат. Не работете со уредот доколку сте уморни или под дејство на дрога, алкохол или лекови.** Еден момент на невнимание при употребата може да доведе до сериозни повреди.
  - b) **Носете ја личната заштитна опрема и секогаш носете заштитни очила.** Носењето на личната заштитна опрема, како што е маската за прашина, безбедносната облека која не се лизга, заштитен шлем или штитник за слух, зависно од видот и примената на електричниот алат, ја намалува опасноста од повреда.
  - c) **Избегнувајте невнимателно вклучување за време на работата. Осигурајте се прекинувачот да биде во “OFF” позиција пред да го ставите штекерот во приклучокот.** Доколку го носите електричниот алат со прстот на прекинувачот или го приклучувате апаратот кој е приклучен со напојување на струја, може да предизвикате незгоди.
  - d) **Пред вклучување на уредот, тргнете ги алатите за подесување или клучот за нартување.** Алатот или клучот кој се наоѓа во вртливост дел на уредот, може да предизвика незгода.
  - e) **Не ги проценувајте своите способности. Завземете сигурен и стабилен став и во секој момент одржувајте рамнотежа.** На тој начин можете подобро да го контролирате уредот во неочекувани ситуации.
  - f) **Носете соодветна облека. Не носете широка**

- облена или накит. Косата и алиштата треба да бидат подалеку од подвижните делови. Широката облека, накитот или долгата коса може да се закачат за подвижните делови.
  - g) **Доколку може да се монтираат направи за вшмукување и фаќање прашина, проверете дали се вклучени и дали можат исправно да се користат.** Примената на овие направи ја намалува опасноста од прашината.
  - h) **Не дозволувајте искуството стенкато со честа употреба на алатите да ве направи спокојни и да ги игнорирате безбедносните принципи при неговото користење.** Невнимателно движење може да предизвика сериозни повреди во дел од секунда.
- ### 4) ВНИМАТЕЛНА УПОТРЕБА И РАКУВАЊЕ СО ЕЛЕКТРИЧНИТЕ АЛАТИ
- a) **Не го преоптеретувајте уредот.** При вашата работа користете го предвидениот електричен алат за таа употреба. Со соодветниот електричен алат ќе работите подобро и посигурно во наведената функционална област.
  - b) **Не користете електричен алат чиј прекинувач е неисправен.** Електричниот алат кој повеќе не може да се вклучува и исклучува е опасен и мора да се поправи.
  - c) **Исклучете го електричниот алат од струја и/или извадете го комплетот со батери, ако се одделува, пред да правите некакви прилагодувања, менувате дополнителна опрема или да го складирате електричниот алат.** Со овие мерки на внимателност ќе се избегне невнимателното вклучување на уредот.
  - d) **Тргнете го електричниот алат кој не го користите од допирот на децата. Не допуштајте работа со уредот на лица кои не се запознаени со него или кои го немаат прочитано ова упатство.** Електричните алати се опасни доколку со нив работат неискусни лица.
  - e) **Одржувајте го електричниот алат и дополнителната опрема.** Имајте контрола околу тоа дали движечките делови на уредот работат беспрекорно и дали не се заглавени, дали деловите се скршени или оштетени до таа мерка што не може да се обезбеди функционирање на уредот. Пред примената, овие оштетени делови треба да се поправат. Причина за многу незгоди е лошо одржуваниот електричен алат.
  - f) **Алатите за сечење одржувајте ги остри и чисти.** Внимателно одржуваниите алати за сечење со остри отчртици помалку ќе се заглавуваат и со нив работата ќе биде полесна.
  - g) **Електричниот алат, прибор, работни алати итн., треба да ги користите според овие упатства, и на начин кој е опишан за соодветниот тип на уред.** При тоа, земете ги предвид работните услови и работата која се извршува. Употребата на електричните алати за други цели кои не се предвидени, може да предизвика опасни ситуации.
  - h) **Рачните и површините за држење одржувајте ги суви, чисти и неизмастени.** Рачките и површините за држење што се лизгаат не овозможуваат безбедно ракување и контрола на алатот во неочекувани ситуации.

## 5) СЕРВИСИРАЊЕ

- a) **Електричниот алат сервисирајте го нај квалификувано лице кое користи само идентични резервни делови.** Со ова се обезбедува безбедно одржување на електричниот алат.

## УПАТСТВА ЗА БЕЗБЕДНА РАБОТА СО ЦИРКУЛАРНА ПИЛА

### 1) ПОСТАПКИ ЗА СЕЧЕЊЕ

- a) **ОПАСНОСТ: Држете ги рацете подалену од областа за сечење и од сечилото.** Држете ја другата рака на помошната рачка или на куќиштето за моторот. Ако двете раце ја држат пилата, не може да бидат исечени со сечилото.
- b) **Не посегнувајте под материјалот кој го обработувате.** Заштитниот механизам не може да ве штити од сечило под работниот простор.
- c) **Длабочината на сечењето подесете ја на дебелината на работниот простор.** Под работниот простор треба да се гледа помалку од цел забец на сечилото.
- d) **Никогаш не држете го парчето за работа во раце или преку нога.** Обезбедете стабилна површина за парчето за работа. Важно е да имате стабилна потпора во текот на работа за да се намали изложување на телото, контакт со сечивото или загуба на контролата.
- e) **Држете го алатот само за изолираните површини за зафаќање бидејќи сечивата може да дојдат во контакт со сокриените жици или со кабелот** (ако дополнителната опрема за сечење и зацртувачите дојдат во контакт со жица под напон може да ги електрифицираат металните делови на алатот и да предизвикаат електричен удар на операторот)
- f) **При сечење, секогаш користете заштитна ограда или механизам за запшта на рамни рабови.** Така ќе ја подобрите прецизноста на сечењето и ќе го намалите ризикот од заглавување на сечилото.
- g) **Секогаш користете сечила со соодветна големина и облик за отворите во вретеното (облик на дијамант или круг).** Сечилата кои не се соодветни со хардветор за поставување на пилата, неправилно ќе се вртат и ќе предизвикаат губење на контрола.
- h) **Никогаш не користете оштетени или неисправни запчаници или резина за сечила.** Запчаниците и резината за сечила се посебно дизајнирани за вашата пила, заради оптимални перформанси и безбедност при ракување.

### 2) ПРИЧИНИ ЗА ПОВРАТЕН УДАР И ПОВРЗАНИ ПРЕДУПРЕДУВАЊА

- Повратниот удар претставува изненадна реакција на пробивање, удар или лошо порамнето сечило на пилата, кој предизвикува неконтролирано мрдање на пилата од местото на работата и подигнување кон оној кој ракува со пилата
- Кога сечилото ќе пробие или силно ќе удри за време на затворање на засекот, сечилото застанува и моторот забрзано ја води единицата кон оној кој ракува со апаратот
- Доколку сечилото се вовлече навнатре или не е порамнето со површината која се сече, запците

на задниот раб на сечилото може да се забијат во горната површина на дрвото и да предизвикаат дигање на сечилото од засекот и отскокнување кон оној кој ракува со алатот

- Повратниот удар е резултат на неправилна употреба на алатот и/или несоодветна работна постапка или услови, а може да се избегне ако ги преземете неопходните безбедносни мерки како што е посочено подолу.

a) **Цврсто држете ја рачката на пилата, со две раце, и поставете ги рацете тана што да можете да го издржите повратниот удар.** Телото треба да се наоѓа од едната страна на сечилото, а не во линија со сечилото. Повратниот удар може да предизвика пилата да отскочне назад, но силата на повратниот удар може да се контролира само доколку се преземат правилните мерки на претпазливост.

b) **Кога сечилото ќе удри или доколку дојде до прекин на сечењето од било која причина, отпуштете го орозот и држете ја неподвижната пила во материјалот, се додека сечилото сосема не застане.** Никогаш не се обидувајте да ја отстраните пилата од местото каде работите или да ја повлечете пилата наназад кога сечилото се движи или доаѓа до повратен удар. Испитувајте и преземете определени акции за исправање, за да ги елиминирате причините за удар на сечилото. Избегнувајте сечење на клинци и штрафови.

c) **Кога повторно ќе ја стартувате пилата која се наоѓа на местото каде работите, центраирајте ја пилата во засекот и осигурајте се запците на пилата да не влегуваат во материјалот.** Доколку сечилото удира, може да дојде до отскокнување од местото каде се работи, или до повратен удар, кога пилата повторно се вклучува.

d) **Под големите плочи ставете потпора за да го намалите ризикот од пробивање на сечилото и повратен удар.** Големите плочи имаат тенденција да се виткаат под сопствената тежина. Потпората мора да се стави под плочата, од двете страни, близу до линијата на сечењето и близу работ на плочата.

e) **Не користете тапо или оштетено сечило.** Ненаоштрени или неправилно поставени сечила може да доведат до тесен засек и да предизвикаат прекумерно триење, удирање на сечилото или повратен удар.

f) **Рачките за заклучување на длабочината на сечењето и подесување на носината мора да бидат цврсти и обезбедени, пред почетокот на сечењето.** Доколку подесувањето за сечивото се промени за време на сечењето, може да дојде до удирање и до повратен удар.

g) **Обрнете особено внимание кога сечете со пилата во постојни ѕидови или други слепи области.** Сечилото што произлегува може да пресече објекти коишто предизвикуваат повратен удар.

### 1) ФУНКЦИЈА НА ДОЛНИОТ ЗАШТИТНИК

a) **Пред секое користење, проверете дали долниот заштитен механизам е правилно затворен.** Не започнувајте со работа со пилата ако долниот заштитен дел не се движи слободно и не се затвора во моментот. Никогаш не ставајте

спона или не поврзувајте го долниот заштитен механизам во отворена положба. Доколку пилата ја испуштите случајно, долниот заштитен механизам мора да се свика. Подигнете го долниот заштитен механизам со рачката за вовлекување и проверете дали слободно се движи и не го допира сечилото или било кој дел, под сите агли и во сите длабини на сечење.

- b) Проверете ја пружината на долниот, заштитен механизам. Доколку заштитниот механизам и пружината не функционираат правилно, мора да се сервисираат пред користење. Долниот заштитен механизам можеби ќе функционира споро заради оштетените делови, талогот од гума или зголемувањето на скршени парчиња.
- c) Долниот заштитен механизам треба рачно да се вовлече само за посебни врсти на сечење, на пример за длабинско и сложено сечење. Подигнете го долниот заштитен механизам со повлекување на рачката, и штом сечилото ќе го допре материјалот, долниот заштитен механизам мора да се опушти. За сите останати видови сечење долните заштитни механизми автоматски се придвижуваат.
- d) Секогаш проверете дали долниот заштитен механизам го покрива сечилото пред да ја спуштите пилата на клупата или подот. Незаштитено сечило кое ротира може да предизвика пилата да се движи назад и да сече се што ќе и се најде на патот. Обратете внимание на времето кое е потребно сечилото да се сопре, по исклучување на прекинувачот.

## ДОПОЛНИТЕЛНИ БЕЗБЕДНОСНИ ПРЕДУПРЕДУВАЊА

- Налети на струја доведуваат до краткотрајни падови на напонот; под неповолни услови на напојување може да биде оштетена другата опрема (доколку имоенданцијата на напојување со електрична енергија е помала од 0,468 ома, не постои можност да дојде до нарушувања); доколку ви е потребно дополнително објаснување, можете да се обратите до локалната служба за снабдување со електрична енергија

### ОПШТИ

- Овој алат не треба да го користат лица под 16 години
- Овој алат не е подесен за сечење во присуство на влага
- **Обезбедете се алатот да е исклучен од струја пред да вршите било какво подесување или замена на приборот**
- Никогаш не користете го алатот кога кабелот е оштетен; тој мора да се замени со специјално подготвен кабел достапен преку организацијата на услуги.
- **Не обработувајте никаков материјал кој содржи азбест** (азбестот важи за предизвикувач на рак)
- Прашната од материјали како боја која содржи олово, некои видови дрво, минерали и метали, може да биде штетна за здравјето (контактот со прашината или нејзиното вдишување може да предизвика алергии и/или болести на дишните органи за оној кој работи со алатот или луѓето во близина); **носете**

**маска за прашина и работете со правосмукалки доколку можете да ги поврзете**

- Некои видови на прашина се канцерогени (како на пример прашината од даб или бука), особено заедно со адитиви за одржување на дрвото; **носете маска за прашина и работете со правосмукалки доколку можете да ги поврзете**
- Следете ги процедурите на вашата земја за прашината која се јавува како резултат од материјалите со кои работите
- Користете само работна маса која е опремена со прекинувач кој спречува повторено вртење на моторо по прекинот на напонот
- Користете само работна маса која е опремена со водилка за сечење

### ПРИБОР

- SKIL може да признае гаранција само доколку е користен оригинален прибор
- Користете само листови за пила, кои одговараат на наведените податоци во ова упатство за употреба или се проверени според EN 847-1 и се соодветно означени
- Користете само прибор чија дозволена брзина е во најмала рака еднаква на најголемата брзина при празен од на електричниот алат
- Користете само сечива за пили со минимален дијаметар од 184 мм, со максимален дијаметар од 184 мм и отвор на ободот од 16 мм (**5820**)
- Користете само сечива за пили со минимален дијаметар од 190 мм, со максимален дијаметар од 190 мм и отвор на ободот од 16 мм (**5830**)
- никогаш не користете сечила за пили направени од брзоротирачки челик (HSS)
- Никогаш не користете дискови за оштрење/сечење со овој електричен алат

### ПРЕД УПОТРЕБА

- Секогаш проверувајте напонот да е ист со оној кој е назначен на плочката на алатот
- Избегнувајте оштетувања од штрафови, шајки и други предмети во местото каде работите; тргнете ги пред да почнете со работата
- Пред да почнете со сечење, отстранете ги сите пречки на и под местото каде сечете
- **Зацврстете го материјалот кој го обработувате** (обработка која е зацврстена со стеги или во менгема е побезбедна отколку да ја држите со раце)
- **Користете соодветни детектори за наоѓање на скриени инсталации или повикајте соодветна компанија за помош** (контактот со електричните линии може да доведе до струен удар; оштетувањата во гасоводна цевка може да резултира со експлозија; пенетрирање во водоводна инсталација може да доведе до оштета на предмети или електричен удар)
- Продолжениот кабел кој го користите, мора да биде соосема одмотан и безбеден, со капацитет од 16 A

### ВО ТЕНОТ НА УПОТРЕБАТА

- Нивото на бучава додека работите може да изнесува повеќе од 85 dB(A); носете заштита за ушите
- Никогаш не користете електричен алат без оригинален систем за заштита
- Не се обидувајте да сечете многу мали материјали
- Не работете со овој алат држејќи го над главата
- Во случај на атипично однесување или непознати звуци, веднаш исклучете го алатот и извлечете го штекерот од електричниот приклучок

- Ако кабелот се оштети или пресече за време на работата, веднаш исклучете го и не го допирајте

## ПО УПОТРЕБА

- Кога ќе ја завршите работата со алатот, исклучете го моторот и проверете дали сите подвижни делови се застанати

- По исклучувањето на циркуларната пила, никогаш немојте да го сопирате вртењето на пилата со сила

## ОБЈАСНУВАЊЕ ЗА СИМБОЛИТЕ ЗА АЛАТОТ

- ③ Пред употреба прочитајте го прирачникот за употреба
- ④ Двојна изолација (не е потребна заземна жица)
- ⑤ Не фрлајте го алатот заедно со другиот отпад од домаќинството

## УПОТРЕБА

- Монтирање на сечилото за пилата ②
  - ! **извлекете го приклучокот ано кабелот**
  - извадете го клучот за сечилото Т од складот V
  - притиснете го копчето за заклучување на вретеното С и држете го притиснато додека го отстранувате резот на сечилото D со помош на клуч Т
  - ! **копчето за заклучување на вретеното С притиснете го кога електричниот алат целосно ќе застане**
  - пуштете го копчето за заклучување на вретеното С
  - отстранете го штитникот E
  - ! **проверете дали површините со спрегите Н на штитникот се целосно чисти и свртете го сечилото**
  - отворете го долниот заштитник F со рачката G и држете го додека го поставувате сечилото за пилата со запците и стрелката коишто се отпечатени на сечилото насочени во ист правец како и стрелката на горниот заштитник
  - олабавете го долниот заштитен механизам F
  - поставете штитник E
  - притиснете го копчето за заклучување на вретеното С и држете го притиснато додека го прицврстувате резот на сечилото со помош на клуч за 1/8 вртења по што треба да затегнете со прстите (така се осигурува лизгањето на сечилото на пилата кога ќе дојде до прекумерен отпор и оптеретување на моторот и повратен удар на пилата)
  - пуштете го копчето за заклучување на вретеното С
- Подесување на длабочината на сечењето ⑥
  - заради оптимален квалитет на сечењето, сечилото на пилата не би требало да биде подолго од 3 мм под делот за работа
  - пуштете го копчето J
  - подигнете/спуштете го нивото K додека не ја подесите саканата длабочина за сечење, на скалата, со користење на индикаторот L
  - прицврстете го копчето J
- Подесување на аголот на сечење (0-50°) ⑦
  - пуштете го копчето M
  - налегнувајте го алатот додека не го подесите саканиот агол на сечење, со користење на индикаторот N
  - прицврстете го копчето M

! **при косо сечење, длабочината на сечењето не одговара на вредностите на прикажаната скала за длабочина на сечењето**

- Проверка на аголот за сечење од 90° ⑦
  - подесете и прицврстете го нивото K на максимална длабочина за сечење ⑥
  - подесете и прицврстете го аголот на сечење на 0°
  - проверете го аголот од 90° помеѓу двете сечила и дното на нивото, со помош на квадрат
  - ако е потребно прилагодување, разлабавете го регулаторот M и употребете шрафцигер за прилагодување P како што е прикажано на сликата
- Прилагодлив визир за линијата на пилата Q ⑧
  - за водење на електричниот алат низ саканата линија означена на местото на работата
  - за рамно сечење под агол од 0° или косо сечење под агол од 45° користете ја линијата на индикаторот
- ! **широкиот дел на нивото би требало да стои а потпирачот на местото каде се работи**
- може да се приспособи за да се порамни со различни ширини на сечилата, но едната страна на пилата може да не се порамни, па затоа потоа изберете дали отпадниот материјал е на внатрешната или надворешната страна на сечилото ⑧
- ! **широчината на сечењето се определува со широчината на запците на сечилото, а не со широчината на сечилото**
- ! **сеногаш најпрво изведете пробно сечење за да ја проверите вистинската линија на сечењето**
- Вшмукување прашина
  - приклучете ја правосмукалката на продолжетокот Y ⑨
- ! **никогаш не дозволувајте цревето на правосмукалката да дојде во допир со долниот заштитен механизам или со операцијата на сечење**
- Работа со алатот ⑩
  - вклучете го штекерот во извор на струја
  - со едната рака сеногаш држете ја рачката R цврсто, а со другата силно држете ја рачката S
  - поставете го електричниот алат со предниот крај на рамното ниво на местото каде работите
  - ! **проверете запците на пилата да не се заначени на местото каде се работи**
  - вклучете го алатот така што прво притиснете го копчето B (= заштитно копче кое не може да се блокира), а потоа повлечете го прекинувачот A
  - ! **електричниот алат би требало да се наоѓа во полна брзина пред сечилото да дојде во допир со местото каде се работи**
  - долниот заштитен механизам F автоматски се отвара кога сечилото продира во местото каде се работи (рачно отворете го долниот заштитен механизам со помош на рачката G, само за посебни видови сечење, на пример за длабинско сечење)
  - ! **не применувајте сила врз алатот (применете лесен и континуиран притисок за да избегнете прегревање на врвовите на сечивата и во случај на сечење пластика, топење на пластичниот материјал)**
  - ! **додека работите, сеногаш држете го алатот**



**за местото (местата) кое (кои) се означени со сива боја**

- по завршувањето на сечењето, исклучете го алатот со пуштање на орозот А

**! пред да го подигнете електричниот алат од местото на кое се работи, проверете дали е дојдено до целосен прекин на работата на сечилото**

## СОВЕТИ ЗА ПРИМЕНА

- Добрата страна на обработката секогаш вртете ја надолу, за да обезбедите минимално кршење на материјалот
- Користете само остри сечила, од соодветен вид <sup>10</sup>
  - квалитетот на сечењето се подобрува со бројот на запците
  - сечилата со карбиден врв остануваат остри 30 пати подолго од обичните сечила
- Странична ограда Z <sup>11</sup>
  - за правење на точни засеци низ работ на материјалот кој се обработува
  - може да се вметне на било која страна на нивото
- Подесување на страничната ограда
  - пуштете го копчето АА
  - прилагодете до саканата длабочина на сечење со употреба на паралелна скала за наведување (користете визир за линија на пилата Q со 0-референца)
  - прицврстете го копчето АА
- Длабинско сечење <sup>12</sup>
  - подесете ја саканата длабочина за сечење
  - закосете го алатот со визирот за линијата на пилата Q порамнета со саканата линија на сечење на материјалот за обработка
  - отворете го долниот заштитен механизам F со користење на рачката G
  - непосредно пред сечилото да го допре материјалот кој се обработува, вклучете го електричниот алат и постепено спуштајте го задниот крај на алатот, со користење на предниот крај на нивото како показател
  - постепено движете го алатот надолу и напред
  - штом сечилото ќе допре во материјалот, пуштете ја рачката G
- **! никогаш не туркајте го алатот кон назад**
- Сечење на големи плочи <sup>13</sup>
  - поставете ја плочата близу сечењето на под, маса или работна маса
- **! подесете ја длабочината на сечењето така што ќе сечете низ плочата, а не низ потпората**
  - во случај страничната ограда да не ја овозможува саканата ширина за сечење, со спрега или со клинец заклучете дрвен дел на местото каде се работи, како водилка, и користете ја десната страна на нивото со оваа водилка

## ОДРЖУВАЊЕ/СЕРВИСИРАЊЕ

- Овој алат не е наменет за професионална употреба
- Алатот и кабелот секогаш да се одржуваат чисти (особено отворите за ладење АВ)
- **! пред чистење извадете го алатот од приклучокот**

- Секогаш одржувајте ја областа околу долниот штитник F <sup>2</sup> чиста (отстранете ги прашината и деланките со раздување со компримиран воздух или со четка)
- Сечилото на пилата исчистете го непосредно по користењето (особено од смола и лепаќ)
- Доколку алатот и покрај внимателното работење и контрола некогаш откаже, поправката мора да ја изврши некое овластен SKIL сервис за електрични алати
  - во случај на примедба, испратете го алатот **нерасклопен**, заедно со сметкопотврдата, до вашиот продавач или најблискиот SKIL сервис (адресите се наведени на [www.skil.com](http://www.skil.com))
- Имајте предвид дека оштетувањето настанато заради преоптоварување или неправилно ракување со алатот ја отфрла гаранцијата (видете на [www.skil.com](http://www.skil.com) или прашајте го продавачот за условите на гаранцијата на SKIL)

## ЗАШТИТА НА ЖИВОТНАТА СРЕДИНА

- **Не се ослободувајте од електрични алати, уреди или амбалажа преку нивно фрлање во домашното губре (само за земјите на ЕУ)**
  - според Европската Директива 2012/19/ЕС за ослободување од електрична и електронска опрема и нејзина имплементација во согласност со националните закони, електричните алати кои го достигнале крајот на својот животен век мора да бидат собрани посебно и да бидат вратени во соодветен објект за рециклирање
  - симболот <sup>5</sup> ќе ве потсетува на ова кога ќе дојде време алатот да го фрлите

## БУЧАВА / ВИБРАЦИИ

- Измерено во согласност со EN 62841, нивото на звучен притисок на оваа алатка е 97,0 dB(A) и нивото на звучна моќност 108,0 dB(A) (несигурност K = 3 dB), и вибрацијата \* (триакс векторна сума; несигурност K = 1.5 m/s<sup>2</sup>)
  - \* сечење на дрво 4,0 m/c<sup>2</sup>
  - \* сечење на метал 2,8 m/c<sup>2</sup>
- Нивото на емитување на вибрации кое е наведено на задниот дел на ова упатство е измерено во согласност со стандардизираниот тест даден во EN 62841; може да се користи за да се спореди еден алат со друг, и како првична оценка за изложеноста на вибрации кога се користи алатот за споменатите примени
  - користењето на алатот за разни примени, или со различни или неправилно чувани делови, може да доведе до значајно **зголемување** на нивото на изложеност
  - кога алатот е исклучен или кога алатот е вклучен но не врши некаква работа, може да дојде до значително **намалување** на нивото а изложеност
- **! заштитете се од ефектите на вибрациите преку одржување на алатот и неговите делови, одржување на топлината во вашите раце, и организирање на вашата работа**

## Sharra rrethore 5820/5830

### HYRJE

- Kjo pajisje është e projektuar për prerje gjatësore dhe kryq në dru me prerje të drjta si dhe prerje këndore deri në 50°; me lamat e përshtatshme të sharrës mund të priten edhe metale jo ferrere, materiale të lehta ndërtimi dhe plastikë
- Kjo vegël nuk është e projektuar për përdorim profesional
- Lexoni dhe ruani këtë manual të përdorimit ③

### TË DHËNAT TEKNIKE ①

#### ELEMENTET E VEGËL ②

- A Çelësi i aktivizimit
- B Çelësi i sigurisë
- C Butoni i bllokimit të boshtit
- D Buloni i thikës
- E Fllanxa
- F Mbrojtësja e poshtme
- G Leva për hapjen e mbrojtëses së poshtme
- H Sipërfaqja e kapjes
- J Çelës për vendosjen e thellësisë së sharrimit
- K Plaka e këmbës
- L Treguesi i thellësisë së prerjes
- M Doreza për rregullimin e këndit të prerjes
- N Treguesi i këndit të prerjes
- P Vidë për rregullimin e ndalimit fundor 90°
- Q Streha e linjës së sharrës
- R Doreza prapa
- S Doreza përpara
- T Çelësi e thikës
- V Vend i ruajtjes për çelësin
- W Dalja e ashklave
- Y Përshtatësi i fshesës me korrent
- Z Rregullatori paralel
- AA Çelësi për rregullimin e vizores gjatësore
- AB Të çarat e ajrosjes

### SIGURIA

#### PARALAJMËRIME TË PËRGJITHSHME TË SIGURISË PËR PAJISJET ELEKTRIKE

**PARALAJMËRIM:** Lexoni të gjitha paralajmërimet, udhëzimet, ilustrimet dhe specifikimet e dhëna me këtë mjet pune. Mosrespektimi i të gjitha udhëzimeve të renditura më poshtë mund të rezultojë në goditje elektrike, zjarr dhe/ose dëmtime të rënda.

**Ruani të gjitha paralajmërimet dhe udhëzimet për referencë në të ardhmen.**

Termi “pajisje elektrike” në paralajmërimet i referohet pajisjes elektrike që përdoret nga priza (me kablo) ose pajisjes elektrike me bateri (pa kablo).

#### 1) SIGURIA E ZONËS SË PUNËS

- a) Mbajeni zonën e punës të pastër dhe të ndriçuar

mirë. Zonat e çrregullta ose të errëta janë një ftesë për aksidente.

- b) **Mos i përdorni pajisjet elektrike në situata me mundësi shpërthimi, si në prani të lëngjeve, gazeve ose pluhurave të djegshëm.** Pajisjet elektrike shkaktojnë shkëndija që mund të ndezin pluhurat ose avujt.
  - c) **Mbajeni fëmijët dhe personat e tjerë larg gjatë përdorimit të veglës së punës.** Tërheqja e vëmendjes mund të shkaktojë humbjen e kontrollit.
- 2) SIGURIA ELEKTRIKE**
- a) **Spinat e veglës së punës duhet të përpunohen me prizën. Mos modifikoni kurrë spinën në asnjë mënyrë. Mos përdorni asnjë spinë përshtatëse me veglat e punës me tokëzim.** Spinat e pamodifikuara dhe prizat përshtatëse do të zvogëlojnë rrezikun e goditjes elektrike.
  - b) **Shmangni kontaktin trupor me sipërfaqe të tokëzuara si tuba, radiatorë, soba dhe frigoriferë.** Ka një rrezik më të madh të goditjeve elektrike nëse trupi është i tokëzuar.
  - c) **Mos ekspozoni veglat e punës në shi ose në kushte me lagështi.** Uji që hyn në veglën e punës do të rritë rrezikun e goditjes elektrike.
  - d) **Mos abuzoni me kordonin. Mos e përdorni kurrë kordonin për transportin, tërheqjen ose heqjen e spinës së veglës së punës. Mbajeni kordonin larg nga nxehtësia, vaji, anët e mprehta ose pjesët që lëvizin.** Kordonët e dëmtuar ose e bllokuar rrisin rrezikun e goditjes elektrike.
  - e) **Kur përdorni një vegël pune në mjedise të jashtme, përdorni një kordon zgjatues të përshtatshëm për përdorim në mjedise të jashtme.** Përdorimi i një kordoni të përshtatshëm për përdorime në mjedise të jashtme zvogëlon rrezikun e goditjes elektrike.
  - f) **Nëse përdorimi i veglës së punës në një vend me lagështi është i pashmangshëm, përdorni një automat qarku me shkarkesë me tokëzim.** Përdorimi i një automati me shkarkesë me tokëzim zvogëlon rrezikun e goditjes elektrike.
- 3) SIGURIA PERSONALE**
- a) **Qëndroni në gatishmëri, shikoni se çfarë po bëni dhe përdorni gjykimin kur përdorni një vegël pune. Mos e përdorni një vegël pune kur jeni i lodhur ose nën ndikimin e ilaçeve, alkoolit ose mjekimit.** Një moment humbje e vëmendjes gjatë përdorimit të veglave të punës mund të shkaktojë dëmtime të rënda personale.
  - b) **Përdorni pajisje personale mbrojtëse. Mbani gjithmonë pajisje për mbrojtjen e syve.** Pajisjet mbrojtëse si maska kundër pluhurit, këpucët që nuk rrëshqasin, kaskat ose pajisjet për mbrojtjen e veshëve për kushtet përkatëse do të zvogëlojnë dëmtimet personale.
  - c) **Parandaloni ndezjen e rastësishme. Sigurohuni që çelësi është në pozicionin fikur para se të lidhni burimin e energjisë dhe/ose baterinë, para se të merrni ose të transportoni pajisjen.** Transportimi i veglave të punës me gishtin në çelës ose aktivizimi i veglave të punës që kanë çelësin të ndezur është një ftesë për aksidente.
  - d) **Hiqni çdo çelës ose çelës përshtatës para ndezjes së veglës së punës.** Një çelës i lënë i lidhur me një pjesë rrotulluese të veglës së punës mund të shkaktojë

dëmtime personale.

- e) **Mos u zgjasni. Mbani një vendosje të mirë të këmbëve dhe një ekuilibër të mirë në çdo moment.** Kjo gjë bën të mundur një kontroll më të mirë të vegjlës së punës në situata të papritura.
- f) **Vishuni në mënyrën e duhur. Mos vishni veshje të gjera ose bizhuteri. Mbani flokët, veshjet dhe dorashkat larg nga pjesët lëvizëse.** Veshjet e gjera, bizhuteritë ose flokët e gjatë mund të kapen nga pjesët në lëvizje.
- g) **Nëse janë ofruar pajisje për lidhjen e pajisjeve të mbledhjes dhe nxjerrjes së pluhurave, sigurohuni që ato të jenë të lidhura dhe të përdoren si duhet.** Përdorimi i mbledhjes së pluhurave mund të zvogëlojë rreziqet në lidhje me pluhurat.
- h) **Mos lejoni që familjarizimi i fituar nga përdorimi i shpeshtë i veglave t'ju lejojë të tregoheni të vetëkënaqur dhe të shpërfillni parimet e sigurisë për pajisjet.** Një veprim i pakujdesshëm mund të shkaktojë dëmtime të rënda në më pak se një sekondë.
- 4) PËRDORIMI DHE KUJDESI PËR VEGLËN E PUNËS**
- a) **Mos ushtroni forcë mbi veglën e punës. Përdorni veglën e punës të duhur për përdorimin tuaj.** Vegla e punës e duhur do të realizojë një punë më të mirë dhe më të sigurt dhe me shpejtësinë që ajo është e projektuar.
- b) **Mos përdorni veglën e punës nëse çelësi nuk e ndez apo e fik.** Çdo vegël pune që nuk mund të kontrollohet me anë të çelësit është e rrezikshme dhe duhet të riparohet.
- c) **Shkëputni spinën nga burimi i energjisë dhe/ose baterinë nga vegla e punës para se të bëni rregullime të tjera, të ndryshoni aksesoret ose të ruani veglat e punës.** Këto masa parandaluese të sigurisë ulin rrezikun e ndezjes aksidentale të vegjlës së punës.
- d) **Mbani veglat e punës larg fëmijëve dhe mos lejoni personat e pamësuar me veglën e punës ose këto udhëzime për përdorimin e pajisjes.** Veglat e punës janë të rrezikshme në duart e përdoruesve të patrajnuar.
- e) **Mirëmbani veglat e punës. Kontrolloni për mospërshatje ose bllokim të pjesëve lëvizëse, thyerje të pjesëve dhe gjendje të tjera që mund të ndikojnë në funksionimin e veglës së punës.** Nëse dëmtohet, riparojeni veglën e punës para përdorimit. Shumë aksidente shkaktohen nga veglat e punës jo të mirëmbajtura si duhet.
- f) **Mbajini pajisjet prerëse të pastra dhe të mprehta.** Pajisjet e prerjes të mirëmbajtura dhe me anë të mprehta kanë më pak mundësi për t'u bllokuar dhe janë më të lehta për t'u kontrolluar.
- g) **Përdorni veglat e punës, aksesoret dhe puntot, etj. në përputhje me këto udhëzime, duke marrë parasysh kushtet e punës dhe punën që do të kryhet.** Përdorimi i veglave për përdorime të ndryshme nga ato të përcaktuara mund të shkaktojë rreziqe.
- h) **Mbajini dorezat dhe sipërfaqet ku mbaheni të thata, të pastra dhe pa vajra ose graso.** Dorezat dhe sipërfaqet ku mbaheni, kur janë të rrëshqitshme, nuk ju lejojnë të menaxhoni dhe ta kontrolloni në mënyrë të sigurt pajisjen në situata të papritura.
- 5) SHËRBIMI**
- a) **Shërbimi i vegjlës së punës duhet të kryhet nga një**

person i kualifikuar për riparimet duke përdorur vetëm pjesë ndërrimi identike. Kjo gjë do të sigurojë ruajtjen e sigurisë së veglave të punës.

## PARALAJMËRIMET E SIGURISË PËR SHARRAT RRETHORE

### 1) PROCEDURAT E PRERJES

- a) **RREZIK: Mbajini duart larg nga zona e prerjes dhe lama.** Mbani dorën tjetër në dorezën ndihmëse ose në trupin e motorit. Nëse të dy duart mbajnë sharrën, ato nuk mund të priten nga lama.
- b) **Mos u zgjasni poshtë materialit të punës.** Mbrojtësja nuk mund t'ju mbrojë nga lama poshtë materialit të punës.
- c) **Rregulloni thellësinë e prerjes sipas trashësisë së materialit të punës.** Poshtë materialit të punës duhet të duket më pak se një dhëmb i plotë i lamës.
- d) **Mos e mbani kurrë materialin e prerjes në duar ose në mes të këmbëve.** Sigurojeni materialin e punës në një platformë të qëndrueshme. Është e rëndësishme që ta mbështesni materialin si duhet për të minimizuar ekspozimin e trupit, bllokimin e lamës ose humbjen e kontrollit.
- e) **Mbajini veglën e punës vetëm nga pjesët e izoluarat të kapjes pasi thikat prerëse prerëse mund të bien në kontakt me tela të fshehur ose kordonin (thikat e prerjes që bien në kontakt me një tel elektrik mund të bëjnë që pjesët metalike të ekspozuara të pajisjes të transmetojnë elektricitetin dhe të shkaktojnë goditjen elektrike të përdoruesit)**
- f) **Gjatë prerjes, përdorni gjithmonë një tregues paralel ose një tregues anësor të drejtë.** Kjo gjë përmirëson saktësinë e prerjes dhe zvogëlon mundësinë e bllokimit të lamës.
- g) **Përdorni gjithmonë lama me madhësinë e duhur dhe formën (diamant dhe jo të rrumbullakëta) e vrimave të boshtit rrotullues.** Lamat që nuk përputhen me pajisjen montuese të sharrës do të punojnë në mënyrë josismetrike me qendrën, duke shkaktuar humbje të kontrollit.
- h) **Mos përdorni kurrë rondele ose bulona të dëmtuar ose të pasaktë të lamës.** Rondelet dhe buloni i lamës janë projektuar posaçërisht për sharrën tuaj, për rendiment optimal dhe siguri në përdorim.

### 2) SHKAQET E GODITJES SË KTHIMIT DHE PARALAJMËRIMET PËRKATËSE

- Goditja e kthimit është një reagim i papritur i një lame të shtrënguar, të bllokuar ose jo të ekuilibruar të sharrës, që shkakton një sharrë të pakontrolluar që të ngrihet dhe të dalë nga materiali i punës në drejtim të operatorit;
- Kur lama është e shtrënguar ose e bllokuar fort nga gjerësia e prerjes, lama ndalon dhe reagimi i motorit e drejton njësinë me shpejtësi në drejtim të operatorit
- Nëse lama ngatërrohet ose është e paekuilibruar në prerjen përkatëse, dhëmbët në anën e pasme të lamës mund të ngulen në sipërfaqen e sipërme të drurit duke bërë që lama të dalë nga gjerësia e prerjes dhe të kërcejë në drejtim të operatorit
- Goditja e kthimit është rezultat i keqpërdorimit të veglës së punës dhe/ose procedurave ose kushteve të papërshtatshme të funksionimit dhe mund të shmanget duke ndërmarrë masat paraprake të duhura si më poshtë.

- a) **Shtrengojeni fort me të dy duart mbi sharrë dhe poziciononi krahët për të përbulluar forcat e goditjes së kthimit. Poziciononi trupin tuaj në një rëndësi të kthimit mund të bëjë që sharra të kërcejë prapa por forcat e goditjes së kthimit mund të kontrollohen nga operatori nëse merren masat paraprake të duhura.**
- b) **Kur lama është e bllokuar ose kur ndërprisni prerjen për një arsye, lëshoni çelësin dhe mbajeni sharrën pa lëvizur brenda materialit deri sa lama të ndalojë plotësisht. Mos u përipiqi kurrë që të hiqni sharrën nga materiali ose të tërhiqni sharrën prapa kur lama është në lëvizje pasi mund të sjellë një goditje të kthimit.** Kontrolloni dhe kryeni veprime korrigjuese për të eliminuar shkakun e bllokimit të lamës. Shmangni prerjen e gozhdëve ose të vidave.
- c) **Kur rifilloni punën me sharrë në një material, vendosni lamën e sharrës në qendër të gjerësisë së prerjes dhe kontrolloni që dhëmbët e sharrës të mos jenë aktiv në material.** Nëse lama e sharrës është e bllokuar, ajo mund të dalë ose të kthehet prapa nga materiali kur rifilloni punën me sharrën.
- d) **Mbështesni panelet e mëdha për të minimizuar rrezikun e shtrengimit ose goditjes së kthimit të lamës.** Panelet e mëdha kanë tendencën të open nën peshën e tyre. Mbështetëset duhet të vendosen poshtë panelit në të dy krahët në afërsi të vijës së prerjes pranë anës së panelit.
- e) **Mos përdorni lama jo të mprehta ose të dëmtuara.** Lamat jo të mprehta ose të vendosura jo mirë krijojnë një gjerësi të ngushtë të prerjes dhe shkaktojnë fërkim të tepërt, bllokim të lamës dhe goditje të kthimit.
- f) **Levat bllokuese rregulluese të pjerrësisë dhe thellësisë së lamës duhet të jenë të shtrenguara dhe të sigura para kryerjes së prerjes.** Nëse rregullimi i lamës lëviz gjatë prerjes, ai mund të shkaktojë bllokim ose goditje të kthimit.
- g) **Kini shumë kujdes kur sharoni në mure ekzistuese ose zona të tjera të panjohura.** Lama e futur mund të presë objekte që mund të shkaktojnë goditje të kthimit.

#### 1) FUNKSIONI I MBROJTËSES SË POSHTME

- a) **Kontrolloni mbrojtësen e poshtme për mbyllje të përshtatshme para çdo përdorimi. Mos e përdorni sharrën nëse mbrojtësja e poshtme nuk lëviz lirisht dhe nuk mbyllet menjëherë. Mos e shtrengoni apo lidhni asnjëherë mbrojtësen e poshtme në pozicionin e hapur.** Nëse sharra bie aksidentalisht, mbrojtësja e poshtme mund të përkulet. Hiqni spinën, ngrini mbrojtësen e poshtme me dorezën e tërheqjes dhe sigurohuni që lëviz lirisht dhe nuk prek me lamën ose pjesë të tjera, në të gjitha këndet dhe thellësitë e prerjes.
- b) **Kontrolloni funksionimin e sustës së mbrojtëses së poshtme. Nëse mbrojtësja dhe susta nuk funksionojnë si duhet, ato duhet të riparohen para përdorimit.** Mbrojtësja e poshtme mund të punojë ngadalë për shkak të pjesëve të dëmtuara, depozitave ngjitëse ose grumbullimit të copëve.
- c) **Mbrojtësja e poshtme duhet të tërhiqet në mënyrë manuale vetëm për prerje të veçanta si prerje me zhytje dhe prerje të kombinuara. Ngrini mbrojtësen e poshtme me anë të dorezës së tërheqjes dhe kur lama të hyjë në material, mbrojtësja e poshtme duhet të lëshohet. Për të gjitha sharrimet e tjera,**

mbrojtësja e poshtme duhet të funksionojë automatikisht.

- d) **Shikoni gjithmonë që mbrojtësja e poshtme të mbulojë lamën para vendosjes së sharrës mbi tryezë ose dyshme.** Lama e pambrojtur në lëvizje do të bëjë që sharra të ecë prapa duke prerë çdo gjë në rrugën e saj. Kini parasysh kohën që i duhet lamës për të ndaluar pasi lëshohet çelësi.

#### PARALAJMËRIMET SHITESË PËR SIGURINË

- Korenti gjatë kohës së pikut shkakton rënie të shkurtra të voltazhit; në kushtet të pafavorshme të furnizimit me energji, pajisjet e tjera mund të preken (nëse rezistenca e sistemit për furnizimin elektrik është më e ulët se 0,468 Ohm, dhe mund të ndodhin çrregullime); nëse keni nevojë për më shumë sqarime, mund të kontaktoni me autoritetin e furnizimit me energji

#### TË PËRGJITHSHME

- Kjo pajisje nuk duhet të përdoret nga personat nën moshën 16 vjeç
- Kjo vegël nuk është e përshtatshme për prerje në lagështi
- **Shkëputni gjithmonë spinën nga burimi i energjisë para kryerjes së rregullimeve ose ndryshimeve të aksesoreve**
- Asnjëherë mos e përdorni mjetin kur kordoni është dëmtuar; ai duhet të ndërrohet me një kordon të përgatitur në mënyrë të veçantë përmes organizatës së shërbimit.
- **Mos punoni me materiale që përmbajnë asbest** (asbesti konsiderohet kancerogjen)
- Pluhurat nga materialet si boja me plumb, disa lloje drurësh, mineralesh dhe metalesh mund të jenë të dëmshme (kontakti ose thithja e pluhurave mund të shkaktojë reageime alergjike dhe/ose sëmundje respiratore për përdoruesin ose personat përreth); **mbani një maskë për pluhurat dhe punoni me një pajisje për heqjen e pluhurave kur mund të lidhet**
- Disa lloje pluhurash kanë klasifikuar si kancerogjene (si pluhuri i lisit dhe i ahut) veçanërisht në ndërthurje me lëndët shtesë për kondicionimin e drurit; **mbani një maskë për pluhurat dhe punoni me një pajisje për heqjen e pluhurave kur mund të lidhet**
- Respektoni kërkesat kombëtare në lidhje me pluhurat për materialet me të cilat dëshironi të punoni
- Përdorni vetëm një bango të sharrës me një çelës që parandalon rindezjen e motorit pas ndërprerjes së voltazhit
- Përdorni vetëm një bango të sharrës me një tregues të gjerësisë së prerjes

#### AKSESORËT

- SKIL mund të garantojë funksionimin pa probleme të vegjël vetëm kur përdoren aksesorët origjinalë
- Përdorni vetëm tehe të sharrës që përputhen me të dhënat e karakteristikave të dhëna në këto udhëzime përdorimi dhe që janë testuar dhe shënuar si në përputhje me EN 847-1
- Përdorni vetëm aksesorë me një shpejtësi të lejuar që përshatet të paktën me shpejtësinë më të lartë pa ngarkesë të pajisjes
- Përdorni vetëm thikat e sharrës me një diametër minimal prej 184 mm, një diametër maksimal prej 184 mm dhe një vrimë aksi prej 16 mm (5820)
- Përdorni vetëm thikat e sharrës me një diametër minimal prej 190 mm, një diametër maksimal prej 190 mm dhe

një vrimë aksi prej 16 mm (5830)

- Mos përdorni kurrë lama të sharrës të bëra me çelik të shpejtë (HSS)
- Mos përdorni kurrë disqe mprehës/prerës me këtë vegël

#### PARA PËRDORIMIT

- Kontrolloni gjithmonë që voltazhi i energjisë është i njëjti me voltazhin e treguar në etiketën e veglës
- Shmangni dëmtimet që mund të shkaktohen nga vidat, gozhdët dhe elementet e tjera në materialin e punës; hiqni ato para se të filloni punën
- Hiqni të gjitha pengesat mbi si dhe poshtë në rrugën e prerjes para se të filloni prerjen
- **Sigurori materialin e punës** (një material i shtrënguar me një pajisje shtrëngimi ose morskë mbahet në mënyrë më të sigurt se sa me dorë)
- **Përdorni detektorë përkatës për të gjetur linjat e fshehura të shërbimit ose telefononi kompaninë lokale të shërbimeve për ndihmë** (kontakti me linjat elektrike mund të shkaktojë zjarr ose goditje elektrike; dëmtimi i një linje gazi mund të shkaktojë një shpërthim; shpimi i një tubi uji do të shkaktojë dëmtim të pronës ose një goditje elektrike)
- Përdorni kordonë të pahapur dhe të sigurt për zgjatime, me një kapacitet 16 amper

#### GJATË PËRDORIMIT

- Niveli i zhurmës gjatë punës mund të kalojë 85 dB(A); mbani mbrojtëse për veshët
- Mos e përdorni kurrë pajisjen pa sistemin origjinal mbrojtës
- Mos u përpuniqni të prisni materiale shumë të vogla
- Mos punoni me veglën mbi kokën tuaj
- Në rast bllokimi ose defekti elektrik ose mekanik, fikeni menjëherë veglën dhe hiqni spinën
- Nëse kordoni dëmtohet ose pritet gjatë punës, mos e prekni kordonin por hiqni menjëherë spinën

#### PAS PËRDORIMIT

- Kur ta largoni pajisjen, fikeni motorin dhe sigurohuni që të gjitha pjesët lëvizëse të kenë ndalur plotësisht
- Pas fikjes së sharrës rrethore, mos e ndaloni kurrë rrotullimin e lamës së sharrës duke ushtruar një forcë anësore

#### SHPJEGIMI I SIMBOLEVE NË VEGËL

- ③ Lexoni manualin e udhëzimeve para përdorimit
- ④ Izolim i dyfishtë (nuk kërkohet tokëzim)
- ⑤ Mos e hidhni veglën bashkë me materialet e mbetjeve familjare

#### PËRDORIMI

- Montimi i lamës së sharrës ②  
**! hiqni spinën**  
- merrni çelësin e thikës T nga vendi i mbajtjes V  
- shtypni butonin e bllokimit të boshtit rrotullues C dhe mbajeni kur të hiqni bulonin e lamës D me çelësin e lamës T  
**! shtypni butonin e bllokimit të boshtit rrotullues C vetëm kur vegla të jetë e palëvizshme**  
- lëshoni butonin e bllokimit të boshtit rrotullues C  
- hiqni flanaxhën E  
**! sigurohuni që sipërfaqet shtrënguese H të flanaxhave janë plotësisht të pastra dhe janë përballë lamës**  
- hapni mbrojtësen e poshtme F me levën G dhe mbajeni ndërsa montoni lamën e sharrës me dhëmbëzat dhe shigjetën e printuar mbi lamë në të njëjtin drejtim si

- shigjeta në mbrojtësen e sipërme
- lëshoni mbrojtësen e poshtme F
- montoni flanaxhën E
- shtypni butonin e bllokimit të boshtit rrotullues C dhe mbajeni ndërsa shtrëngoni bulonin e lamës me çelësin e lamës 1/8 rrotullim pas shtrëngimit me dorë (siguron rrëshqitjen e lamës së sharrës kur ndesh rezistencë të madhe duke zvogëluar mbingarkesën e motorit dhe goditjen e kthimit të sharrës)
- lëshoni butonin e bllokimit të boshtit rrotullues C
- Rregullimi i thellësisë së prerjes ⑥  
- për një prerje me cilësi optimale, lama e sharrës nuk duhet të zgjatet më shumë se 3 mm poshtë materialit të punës  
- lironi çelësin J  
- ngrini/ulni këmbëzën K deri sa të caktohet thellësia e dëshiruar e prerjes në shkallë me anë të treguesit L  
- shtrëngoni çelësin J
- Rregullimi i këndit të prerjes (0-50°) ⑦  
- lironi çelësin M  
- anoni veglën deri sa të caktohet këndi i dëshiruar i prerjes në shkallë me anë të treguesit N  
- shtrëngoni çelësin M  
**! për prerje të pjerrëta, thellësia e prerjes nuk përputhet me vlerën në shkallën e thellësisë së prerjes**
- Kontrolli i këndit të prerjes 90° ⑦  
- rregulloni dhe shtrëngoni këmbëzën K në maksimumin e thellësisë së prerjes ⑥  
- rregulloni dhe shtrëngoni këndin e prerjes në 0°  
- kontrolloni për një kënd 90° midis lamës dhe fundit të këmbëzës me një katror  
- nëse ka nevojë për rregullime, lironi çelësin M dhe përdorni vidën përshtatëse P si në ilustrim
- Streha e rregullueshme e linjës së sharrës Q ⑧  
- për drejtimin e veglës në vijën e dëshiruar të prerjes të shënuar në materialin e punës  
- për një prerje të drejtë 0° ose të pjerrët 45° përdorni vijën e treguesit përkatës  
**! pjesa e gjerë e këmbëzës duhet të qëndrojë në pjesën e mbështetur të materialit**  
- mund të rregullohet për ta pozicionuar me gjerësi të ndryshme fletësh sharre, sidoqoftë mund të jetë që njëra anë e fletës së sharrës nuk putshit, atëherë zgjidhni nëse materiali i mbetjeve të jetë në anën e brendshme apo të jashtme të fletës ⑧  
**! gjerësia e prerjes përcaktohet nga gjerësia e dhëmbëzave të lamës dhe jo nga gjerësia e trupit të lamës**  
**! bëni gjithmonë prerje provë në fillim për të verifikuar vijën aktuale të prerjes**
- Thithja e pluhurave  
- lidhni fshesën me korrent në pjesën e zgjatimit Y ⑨  
**! mos lejoni kurrë që tubi i fshesës me korrent të ndërhyjë në mbrojtësen e poshtme ose gjatë veprimt të prerjes**
- Funksionimi i veglës ⑨  
- lidhni spinën me burimin e energjisë  
- mbajeni gjithmonë fort dorezën R me një dorë dhe dorezën S me dorën tjetër  
- vendoseni veglën me pjesën e përparme të këmbëzës rrafsh me materialin e punës  
**! sigurohuni që dhëmbëzat e sharrës të mos jenë në**

### **kontakt me materialin e punës**

- ndizni veglën duke shtypur në fillim çelësin B (= çelësin e sigurisë që nuk mund të bllokohet) dhe më pas tërhiqni çelësin e aktivizimit A

### **! vegla duhet të arrijë shpejtësinë e plotë para të lama të hyjë në materialin e punës**

- mbrojtësja e poshtme F hapet automatikisht kur lama e sharrës hyn në materialin e punës (hapni mbrojtësen e poshtme në mënyrë manuale duke përdorur levën G vetëm për prerje të veçanta si prerje me zhytje)

### **! mos e sforconi pajisjen (ushtroni trysni të lehtë dhe në vazhdim për të shmangur mbinxehjen e majave të thikave dhe, në rast të prerjes së plastikës, shkrirjen e materialit plastik)**

### **! gjatë punës, mbajeni gjithmonë veglën në zonën(at) e dorezës me ngjyrë gri**

- pasi të përfundoni prerjen, fikeni veglën duke lëshuar çelësin A

### **! sigurohuni që lama të ketë ndaluar plotësisht para se ta hiqni veglën nga materiali i punës**

## **KËSHILLË PËR PËRDORIMIN**

- Vendoseni gjithmonë poshtë anën më të mirë të materialit për të siguruar krijimin minimal të ashklave
- Përdorni vetëm lama të mprehta si dhe të llojit të duhur <sup>(10)</sup>
  - cilësia e prerjes rritet sipas numrit të dhëmbëzave
  - lamat me maja karbidi qëndrojnë të mprehta deri 30 herë më shumë se sa lamat e zakonshme
- Treguesi paralel Z <sup>(11)</sup>
  - për kryerjen e prerjeve të sakta përgjatë anës së materialit
  - mund të futet në secilën nga anët e këmbësRregulimi i treguesit paralel
  - lironi çelësin AA
  - rregulloni gjerësinë e dëshiruar të prerjes duke përdorur shkallën e treguesit paralel (përdorni maskën e vijës së sharrës Q si 0-referencë)
  - shtërngoni çelësin AA
- Prerja me zhytje <sup>(12)</sup>
  - caktoni thellësinë e dëshiruar të prerjes
  - anoni veglën përpara me maskën e vijës së sharrës Q të përshtatur me vijën e dëshiruar të prerjes shënuar mbi material
  - hapni mbrojtësen e poshtme F me levën G
  - menjëherë para se lama të futet në material, ndizni veglën dhe ulni gradualisht pjesën e poshtme prapa të veglës duke përdorur fundin e këmbëzës si pikën menteshë
  - lëvizni veglën gradualisht poshtë si dhe përpara
  - sapo lama të futet në material, lëshoni levën G
- ! **mos e tërhiqni kurrë veglën prapa**
- Prerja e paneleve të mëdhenj <sup>(13)</sup>
  - mbështeteni panelin afër prerjes mbi dysheme, tavolinë ose bango
- ! **caktoni thellësinë e prerjes në mënyrë që të prisni panelin por jo pjesën mbështetëse**
  - në rast se treguesi paralel nuk e lejon gjerësinë e dëshiruar të prerjes, shtërngoni ose kapni me gozhdë në material një copë të drejtë druri si tregues dhe përdorni anën e djathtë të këmbëzës mbështetur në këtë tregues

## **MIRËMBAJTJA / SHËRBIMI**

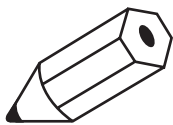
- Kjo vegël nuk është e projektuar për përdorim profesional
- Mbajeni gjithmonë veglën dhe kordonin të pastër (veçanërisht të çarët e ajrosjes AB)
  - ! **shkëputni spinën para pastrimit**
- Mbajeni gjithmonë zonën rreth mbrojtëses së poshtme F <sup>(2)</sup> të pastër (hiqni pluhurin dhe ashklat duke i fryrë me ajër të ngjeshur ose me një furçë)
- Pastroni lamën e sharrës menjëherë pas përdorimit (veçanërisht nga ngjitësi me përzierje apo i thjeshtë)
- Nëse pajisja ka defekt pavarësisht kujdesit në prodhim dhe procedurave e provave, riparimi duhet të kryhet nga një qendër e shërbimit pas shitjes për veglat e punës të SKIL
  - dërgoni veglën të **çmontuar** së bashku me vërtetimin e blerjes të shitësi ose të qendra më e afërt e shërbimit e SKIL (adresat si dhe diagrami i shërbimit i veglës janë të paraqitura në [www.skil.com](http://www.skil.com))
- Kini parasysh se dëmtimet për shkak të mbingarkesës ose manovrimit të papërshtatshëm të veglës janë të përjashtuara nga garancia (për kushtet e garancisë së SKIL vizitoni [www.skil.com](http://www.skil.com) ose pyetni shitësin tuaj)

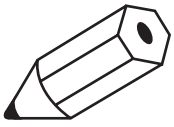
## **MJEDISI**

- **Mos i hidhni veglat elektrike, aksesorët dhe paketimin së bashku me materialet e mbeturinave familjare** (vetëm për vendet e BE-së)
  - në respektim të Direktivës evropiane 2012/19/EC për pajisjet elektrike dhe elektronike si mbetje dhe zbatimin e saj në përputhje me ligjet kombëtare, pajisjet elektrike që kanë arritur në fund të jetëgjatësisë së tyre duhet të mbledhen të ndara dhe të kthehen në një objekt riciklimi në përputhje me mjedisin.
  - simboli <sup>(5)</sup> do t'ju kujtojë për këtë gjë kur të jetë nevoja për t'i hedhur

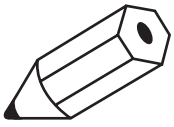
## **ZHURMA / VIBRIMI**

- I matur sipas EN 62841, niveli i presionit të zhurmës së këtij mjeti është 97,0 dB(A) dhe niveli i fuqisë së zhurmës 108,0 dB(A) (pasiguria K = 3 dB), dhe dridhja \* (shuma e vektorit triax; pasiguria K = 1.5 m/s<sup>2</sup>)
  - \* prerje druri 4,0 m/s<sup>2</sup>
  - \* prerje metalike 2,8 m/s<sup>2</sup>
- Niveli i emetimit të vibrimit është matur në përputhje me një provë të standardizuar të dhënë në EN 62841; ajo mund të përdoret për të krahasuar një vegël me një tjetër dhe si një vlerësim paraprak i ekspozimit ndaj vibrimit kur përdorni pajisjen për proceset e përmendura
  - përdorimi i pajisjes për procese të ndryshme, ose me aksesorë të ndryshëm dhe të mirëmbajtur keq, mund të rritë ndjeshëm nivelin e ekspozimit
  - kohët kur pajisja është e fikur dhe kur është e ndezur por jo në punë, mund të zvogëlojnë ndjeshëm nivelin e ekspozimit
- ! **mbroni veten nga efektet e vibrimit duke mirëmbajtur pajisjen dhe aksesorët e saj, duke i mbajtur duart e ngrohta dhe duke organizuar mënyrën tuaj të punës**









## محیط زیست

- ابزارهای برقی، لوازم و متعلقات و بسته بندی آنها را نباید همراه با زیانه های عادی خانگی دور انداخت (فقط مخصوص کشورهای عضو اتحادیه اروپا)
- با توجه به مصوبه اروپایی ۱۲-۱۹/۲۰ EC اروپا درباره لوازم برقی و الکترونیکی مستعمل و اجرای این مصوبه مطابق با قوانین کشوری، ابزارهای برقی که به پایان عمر مفید خود رسیده اند باید جداگانه جمع آوری شده و به یک مرکز بازیافت مناسب و سازگار با محیط زیست انتقال یابند
- نمادعلامت ⑤ یادآور این مسئله در هنگام دور انداختن است

## صدا / ارتعاشات

- بر طبق اندازه گیری های انجام شده بر اساس استاندارد EN ۱۲۸۴۱، میزان فشار صوتی این ابزار ۹۷،۰ دسی بل و میزان توان صوتی آن ۱۰۸،۰ دسی بل (عدم قطعیت  $K = ۳$  دسی بل)، و میزان ارتعاشات آن \* (جمع بردارهای سه جهت: عدم قطعیت  $K = ۱،۵$  متر/مجدور ثانیه) می باشد
- \* برش چوب ۴،۰ متر/مجدور ثانیه
- \* برش فلزات ۲،۸ متر/مجدور ثانیه
- میزان انتشار ارتعاشات بر اساس تست استاندارد شده ای که در EN ۱۲۸۴۱ معرفی شده است اندازه گیری گردید: از این ارقام می توان برای مقایسه یک ابزار با دیگری و بعنوان ارزیابی اولیه در معرض قرارگیری ارتعاشات هنگام کار با ابزار در کاربری های فوق استفاده کرد
- استفاده کردن از ابزار برای کاربردهای متفاوت، یا با لوازم و متعلقات متفاوتتفرقه یا لوازم و متعلقاتی که بد نگهداری شده اند، می تواند میزان در معرض قرارگیری را بطور قابل ملاحظه ای افزایش دهد
- مواقعی که ابزار خاموش است یا روشن است ولی کاری با آن انجام نمی شود، میزان در معرض قرارگیری بطور قابل توجهی کاهش می یابد
- ! با نگهداری مناسب از ابزار و لوازم و متعلقات آن، گرم نگهداشتن دست های خود، و سازمان دهی طرح های کاری می توانید خود را در برابر اثرات ارتعاش محافظت کنید

## استفاده

- سوار کردن تیغه اهر (1)
- سیم برق را از برق جدا کنید
- آچار تیغه T را از محفظه نگهداری V آن بردارید
- ضامن قفل کننده شفت C را فشار داده و ضمن برداشتن پیچ تیغه D با آچار تیغه، آنرا نگهدارید
- ضامن قفل کننده شفت C را فقط زمانی که ابزار به توقف کامل رسیده است فشار دهید
- ضامن قفل کننده شفت C را آزاد کنید
- فلنج E را بردارید
- مطمئن شوید که سطوح بیست H فلنج ها کاملاً تیز بوده و به سمت تیغه باشند
- حفاظ پایین F را با اهرم G باز کرده و ضمن اینکه تیغه اهر را سوار می کنید حفاظ را نگهدارید. دندانان های تیغه اهره و پیکان چاپ شده روی تیغه اهره باید با پیکان روی حفاظ پایین هم جهت باشد
- حفاظ پایین F را آزاد کنید
- فلنج E را سوار کنید
- ضامن قفل کننده شفت C را فشار داده و ضمن اینکه پیچ تیغه را با آچار تیغه به اندازه 1/8 دور بیشتر از حدی که با دست سفت می شود سفت می کنید. آنرا نگهدارید (با اینکار از لغزش تیغه اهر هنگام روبرو شدن با مقاومت زیاد جلوگیری شده و بار وارده بر موتور و پس زن اهر کاهش داده می شود)
- ضامن قفل کننده شفت C را آزاد کنید
- تنظیم عمق برش (1)
- برای بهینه شدن کیفیت برش، تیغه برش نباید بیشتر از 3 میلیمتر به داخل قطعه کاری وارد شود
- مهره L را شل کنید
- پایه K را بالا/پایین بیاورید تا عمق برش دخواه روی مقیاس با نشانگر A تنظیم شود
- مهره L را سفت کنید
- تنظیم زاویه برش (2-5 درجه)
- مهره M را شل کنید
- ابزار را کج کنید تا زاویه برش دخواه روی مقیاس نشانگر N تنظیم شود
- مهره M را سفت کنید
- عمق برش در برشهای اریب با مقدار روی مقیاس عمق برش یکسان نخواهد بود
- کنترل زاویه برش 90 درجه (3)
- پایه K را تنظیم و روی حد اکثر عمق برش (1) محکم کنید
- زاویه برش را روی 0 درجه تنظیم و محکم کنید
- با یک کوئینا زاویه 90 درجه بین تیغه و پایین پایه را کنترل کنید
- اگر نیاز به تنظیم بود، کلید گردان M را شل کرده و مطابق شکل از پیچ تنظیم P استفاده کنید
- خط یاب قابل تنظیم برش (4) Q
- برای هدایت ابزار روی خط دخواه علامت گذاری شده روی قطعه کاری
- برای برش های مستقیم 0 درجه یا اریب 45 درجه از خط نشانگر مربوطه استفاده کنید
- بخش عرضی پایه باید روی بخش تکیه داده شده قطعه کاری مستقر شود
- برای میزان شدن برش با عرض های مختلف تیغه اهره قابل تنظیم است. اما اگر یک سمت تیغه اهره میزان نشد باید انتخاب کنید که ضایعات برش در داخل یا بیرون تیغه (A) ایجاد شوند
- عرض برش به عرض دندانان های تیغه اهره و نه عرض خود تیغه بستگی دارد
- همیشه برای بدست آوردن خط اصلی برش چند برش آزمایشی برزید
- مکش گرد و غبار
- جاروبرقی را به رابط Y (5) وصل کنید
- هرگز نگذارید جاروبرقی با حفاظ پایین یا عملکرد برش درگیر شود
- کار کردن با ابزار (6)
- سیم ابزار را به برق برزید
- همیشه دسته R را محکم با یک دست گرفته و با دست دیگر به طور قاطع S کار کنید
- ابزار را طوری نگه دارید که جلوی پایه، صاف روی قطعه کاری قرار بگیرد
- مطمئن شوید که دندانان های اهره در قطعه کاری درگیر نباشند
- ابتدا با فشار دادن کلید گردان B (سونیچ ایمنی که نمی تواند قفل شود) ابزار را روشن کرده و سپس اسنارت A را بکشید

- اول اجازه دهید ابزار به دور کامل خود برسد و بعد تیغه را وارد قطعه کاری کنید
- حفاظ پایین F موقعی که تیغه اهره وارد قطعه کاری می شود بطور خودکار باز خواهد شد (برای اجرای برشهای مخصوص مانند برش های عمیق حفاظ پایین را بطور دستی با استفاده از اهرم G باز کنید)
- به ابزار فشار نیاورید (فشار آرام و پیوسته وارد کنید تا از داغ شدن نوک تیغه و در صورت برش پلاستیک، ذوب شدن مواد پلاستیکی جلوگیری کرده)
- هنگام کار باید همیشه ابزار را از جا(های) دست خاموشتری رنگ بگیرد
- بعد از برش زن ابزار را با رها کردن اسنارت A خاموش کنید
- قبل از اینکه ابزار را از قطعه کاری جدا کنید، مطمئن شوید که تیغه به توقف کامل رسیده باشد

## توصیه های کاربردی

- همیشه سمت خوب قطعه کاری را پایین قرار دهید تا جدا شدن تراشه ها از آن به حداقل مکن برسد
- فقط از تیغه اهره های تیز از نوع مناسب (1) استفاده کنید
- کیفیت برش به تعداد دندانان های تیغه بستگی دارد
- تیغه های با لبه کاربید 30 برابر بیشتر از تیغه های عادی تیزی خود را حفظ می کنند
- حصار برش (2) Z
- برای اجرای برش های دقیق در لبه قطعه کار
- در هر سمت پایه قابل نصب است
- تنظیم حصار برش
- مهره AA را شل کنید
- با استفاده از مقیاس حصار برش، عرض برش دخواه را تنظیم کنید (از خط یاب برش Q بعنوان نقطه 0 استفاده کنید)
- مهره AA را سفت کنید
- برش عمیق (3) W
- عمق برش دخواه را تنظیم کنید
- ابزار را به جلو کج کنید تا خط یاب برش Q روی خط دخواه برش علامت گذاری شده روی قطعه کاری بیافتد
- حفاظ پایین F را با اهرم G باز کنید
- درست قبل از اینکه تیغه وارد قطعه کاری شود، ابزار را روشن کرده و آرام بخش پشتی ابزار را با استفاده از انتهای جلوی پایه بعنوان تکیه گاه پایین بیاورید
- ابزار را آرام به پایین و جلو ببرید
- به محض اینکه تیغه وارد قطعه کاری شد، اهرم G را رها کنید
- هرگز ابزار را عقب نکشید
- بردن ورق های بزرگ (4) W
- ورق را از بخشی که نزدیک به محل برش است روی زمین، میز یا میز کار محکم کنید
- عمق برش را طوری تنظیم کنید که اهره فقط ورق را ببرد، نه تکیه گاه آنرا
- در صورتی که حصار برش اجازه نمی دهد عرض برش دخواه را بدست آورید، یک تکه چوب را بعنوان هدایت کننده به قطعه کاری با گیره یا میخ متصل کرده، و از سمت راست پایه در مقابل این هدایت کننده استفاده کنید
- نگهداری / سرویس - خدمات
- این ابزار برای مصارف حرفه ای مناسب نیست
- همیشه ابزار و سیم برق را تمیز نگهدارید (بخصوص شیارهای تهویه AB)
- پیش از تمیز کردن سیم برق را از برق بکشید
- همیشه محیط اطراف حفاظ ختانی F (1) را تمیز نگه دارید (گرد و غبار و تراشه ها را با هوای فشرده و یا یک برس پاک کنید)
- تیغه اهره را فوراً بعد از استفاده تمیز کنید (بخصوص زربین و چسب ها را از آن پاک کنید)
- اگر ابزار علیرغم تمام وقت و مراقبتی که در فرایندهای تولید و تست بکار برده شده از کار افتاد، تعمیرات باید فقط در مراکز خدمات پس از فروش ابزارهای برقی SKIL انجام شود
- ابزار را بصورت باز نشده همراه با رسید خرید به فروشنده یا نزدیک ترین مرکز خدمات رسانی SKIL بفرستید (آدرسها) به همراه نمودار نقشه های سرویس ابزار در [www.skil.com](http://www.skil.com) موجود است
- توجه داشته باشید که خرابی و خسارت ناشی از اضافه بار یا کار کردن نادرست با ابزار منسوخ ضمانت نخواهد بود (برای آگاهی از شرایط ضمانت SKIL به نشانی [www.skil.com](http://www.skil.com) مراجعه کرده یا از فروشنده خود سوال کنید)

اره را محکم با هر دو دست گرفته و بازوان خود را طوری قرار دهید تا در برابر نیروهای پس زن مقاومت کنید. بدن خود را در یک سمت تیغه و نه در راستای تیغه قرار دهید. پس زن می تواند باعث پرتاب شدن اره به عقب شود. اما نیروهای پس زن در صورت رعایت نکات احتیاطی صحیح توسط اپراتور قابل کنترل هستند.

ب) اگر تیغه گیر کرده و یا به هر دلیلی برش را متوقف می کنید، کلید قطع و وصل را رها کرده و اره را بدون حرکت در قطعه کاری نگهدارید تا تیغه به توقف کامل برسد. اگر تیغه هنوز حرکت می کند هرگز سعی نکنید اره را از قطعه کاری خارج کرده یا اره را عقب بکشید چون پس خواهد زد. وضعیت کار را بررسی کرده و اقدامات اصلاحی لازم را برای رفع گیرکردگی تیغه بعمل آورید. از بردن میخ یا پیچ خودداری کنید.

ت) هنگام راه اندازی دوباره اره در قطعه کاری، تیغه اره را در مرکز شکاف برش قرار داده و کنترل کنید که دندانه های اره یا قطعه کاری درگیر نشده باشند. اگر تیغه اره گیر داشته باشد ممکن است در صورت از سر گرفتن کار اره، بلند شده یا از قطعه کاری پس برزند.

ث) برای صفحات بزرگ حائل و تکیه گاه قرار دهید تا خطر گیر کردن و پس زن تیغه به حداقل برسد. احتمال دارد صفحات بزرگ به دلیل وزن خود تاب بردارند. به همین دلیل باید برای صفحه از هر دو طرف، در مجاورت خط برش و لبه صفحه تکیه گاه قرار داد.

ج) از تیغه های کند یا آسیب دیده استفاده نکنید. تیغه هایی که تیز نشده اند یا درست سوار نشده اند در شکاف برش یاریکی ایجاد می کنند که باعث افزایش بیش از حد اصطکاک، گیر کردن تیغه و پس زن می شود.

ح) اهرم های فکلی عمق تیغه و تنظیم زاویه برش باید پیش از برش محکم شوند. اگر تنظیمات تیغه در طول برش تغییر کند می تواند به گیر کردن تیغه و پس زن منجر شود.

خ) هنگام برش در دیوارهای موجود و یا سایر بخشهای پنهان خیلی احتیاط کنید. تیغه جلومده می تواند اشیا را ببرد و باعث پس زن شود.

۱) عملکرد حفاظ ختانی

ا) پیش از هر بار استفاده، بسته شدن صحیح حفاظ ختانی را کنترل کنید. اگر حفاظ ختانی آزادانه حرکت می کند و پیدرنگ بسته نمی شود یا اره کار نکنید. هرگز حفاظ ختانی را در وضعیت باز قفل نکرده یا مهار نکنید. اگر اره تصادفاً به زمین بفتد ممکن است حفاظ ختانی خم شود. دوشاخه را کشیده، حفاظ ختانی را با دست برگردانید. بلند کردن و اطمینان حاصل کنید که آزادانه حرکت می کند و از هیچ زاویه یا عمق برش یا تیغه یا هیچ بخش دیگری تماس ندارد.

ب) عملکرد فنر حفاظ ختانی را بررسی کنید. اگر حفاظ و فنر درست کار نمی کنند باید پیش از استفاده آنها را تعمیر کنید. کارکرد حفاظ ختانی ممکن است به دلیل آسیب دیدن اجزا و قطعات، جمع شدن ذرات چسبنده و یا جمع شدن گرد و خاک و آشغال کند و تا تأخیر باشد.

ت) حفاظ ختانی باید فقط در برش های خاص مانند برش جیبی و یا برش های مرکب بطور دمستی برگردانده شود. هر محض اینکه تیغه وارد قطعه کاری شود، حفاظ ختانی را با دست برگردانید. حفاظ ختانی باید آزاد شود. در کلیه اره کاری های دیگر، حفاظ ختانی باید بطور خودکار کار کند.

ث) پیش از قرار دادن اره روی میز یا کف زمین، همیشه دقت کنید که حفاظ ختانی تیغه را پوشانده باشد. تیغه در صورت فقدان محافظت یا حرکت کردن باعث عقب رفتن اره شده و هر چه را که در مسیر باشد خواهد برد. به مدت زمانی که بعد از رها کردن کلید ملول می کشد تا تیغه متوقف شود توجه داشته باشید.

#### مشاوره های ایمنی اضافی

- جریانهای ناگهانی باعث افت موقتی ولتاژ می گردند؛ در شرایطی که وضعیت تغذیه برق نامناسب است امکان دارد سایر تجهیزات تأثیر بیننده (اگر امپدانس سیستم منبع تغذیه کمتر از ۰.۰۱۸ اهم باشد، احتمال روی دادن اختلالات وجود دارد)؛ اگر نیاز به توضیح بیشتر دارید، می توانید با شرکت برق منطقه ای خود تماس بگیرید

#### عمومی

- افراد کمتر از ۱۶ سال نباید با این دستگاه کار کنند
- این ابزار برای برش خیس مناسب نیست
- قبل از هرگونه تنظیم یا تعویض کردن لوازم و ملحقات حتماً باید سیم برق دستگاه را از پریز بکشید
- وقتی که سیم آسیب دیده است هرگز نباید از ابزار استفاده کنید؛ باید با یک سیم از پیش آماده شده مخصوص که از طریق سازمان های خدماتی در دسترس است تعویض گردد
- با مواد آریزمت کار نکنید (آریست سرطان زا است)

- گرد و خاکی که از موادی مانند رنگ های حاوی سرب، برخی گونه های چوب، مواد معدنی و فلزات بلند می شود می تواند خطرناک باشد (ماس با این گرد و خاکها و یا تنفس آنها می تواند در کاربران ابزار یا افراد نزدیک به محل کار واکنش های حساسیتی و/یا بیماری های تنفسی ایجاد کند؛ یک ماسک مخصوص گرد و خاک بپوشید و در صورت امکان از یک وسیله مکنش گرد و خاک استفاده کنید
- برخی از گرد و خاکها (مانند گرد و خاکی که از چوب بلوط یا راش بلند می شود) علی الخصوص در مجاورت افزودنی های مخصوص چوب، سرطان زا هستند؛ یک ماسک مخصوص گرد و خاک بپوشید و در صورت امکان از یک وسیله مکنش گرد و خاک استفاده کنید

- از مقررات ملی مربوط به گرد و خاک موادی که می خواهید با آنها کار کنید پیروی نمایید
- فقط از میزهای اره دارای سوئیچ استفاده کنید که در صورت نوسانات ولتاژ یا قطع برق از بکار افتادن دوباره موتور جلوگیری می کنند
- فقط از میز اره هایی استفاده کنید که دارای هدایت کننده برش هستند

#### متعلقات

- SKIL در صورتی که از متعلقات اصلی استفاده کنید عملکرد بدون مشکل ابزار را تضمین می نماید
- فقط از تیغه اره هایی استفاده کنید که با مشخصات فنی ارائه شده در این دستورالعمل های کاری مطابقت داشته و بر اساس EN ۱۰۲۷-۱ مورد آزمایش قرار گرفته و دارای علامت مربوطه باشند
- متعلقات باید فقط با سرعت های چرخش مجاز که معادل بالاترین سرعت بدون بار ابزار هستند به کار برده شوند
- فقط از تیغه اره هایی با حداقل قطر ۱۸۴ میلیمتر، حداکثر قطر ۱۸۴ میلیمتر و سوراخ شفت ۱۶ میلیمتری استفاده شود (۵۸۲۰)
- فقط از تیغه اره هایی با حداقل قطر ۱۹۰ میلیمتر، حداکثر قطر ۱۹۰ میلیمتر و سوراخ شفت ۱۶ میلیمتری استفاده شود (۵۸۳۰)
- هرگز از تیغه اره های ساخته شده از فولاد برای کار در سرعت بالا استفاده نکنید (HSS) استفاده نکنید
- هرگز با این ابزار از سنگ های فرز استفاده نکنید

#### پیش از استفاده

- همیشه مطمئن شوید که ولتاژ ورودی دستگاه برابر ولتاژ باشد که روی پلاک دستگاه نوشته شده است
- پیچ ها، میخ ها و سایر اجزا دیگر می توانند به قطعه کاری شما آسیب بزنند؛ بنابراین پیش از شروع کار آنها را بردارید
- پیش از شروع برش تمام موانع موجود در بالا یا زیر مسیر برش را بردارید
- قطعه کاری را محکم کنید (اگر قطعه کاری را با گیره های جاری یا گیره های رومیزی ثابت کنید بسیار مطمئن تر از گرفتن آن با دست خواهد بود)
- برای پدید کردن سیم و لوله های پنهان از دستگاه های تستگور مناسب استفاده کرده یا با شرکت های آب و برق و حمل مصالح تماس گرفته و از آنها کمک بخواهید (ماس با سیم های برق موجب آتش سوزی و برق گرفتگی می شود؛ آسیب رساندن به لوله های گاز سبب انفجار می شود؛ سوراخ کردن لوله های آب به ساختمان آسیب رسانده و موجب خطر برق گرفتگی می شود)
- سیم های رابط برق باید کاملاً باز شده و ایمن باشند. از سیم های با رده بندی ۱۶ آمپر

#### در حین استفاده

- میزان صدای تولید شده توسط این ابزار در حین کار می تواند از ۸۵ دسی بل بیشتر شود؛ از گوشه های محافظ استفاده کنید
- هرگز بدون حفاظ ایمنی اصلی از این ابزار استفاده نکنید
- سعی نکنید قطعات کاری خیلی کوچک را با این ابزار برش کنید
- ابزار را بیش از اندازه به کار نگیرید
- سیم برق آنرا از پریز بکشید
- اگر سیم برق آسیب دیده یا بریده شده باشد، هرگز به سیم دست نزنید، اما فوراً آنرا از پریز بکشید

#### بعد از استفاده

- وقتی که کار شما با بزار تمام شد، حتماً موتور آنرا خاموش کرده و مطمئن شوید که تمام بخشهای متحرک آن از حرکت ایستاده اند
- بعد از خاموش کردن اره گرد، هرگز سعی نکنید با وارد آوردن فشار از کنار چرخش تیغه اره را متوقف کنید

#### شرح علائم و نمادهای روی ابزار

- پیش از کار حتماً دفترچه راهنما را مطالعه کنید
- عایق دوگانه (نیازی به سیم اتصال به زمین - ارت نیست)
- ابزار را همراه زباله های خانگی دور نیندازید

## ۴) ایمنی الکتریکی

- ا) دوشاخه ابزار الکتریکی باید با پریز برق تناسب داشته باشد. هیچگونه تغییریری در دوشاخه ندهید. محل دوشاخه نباید همراه با ابزار الکتریکی دارای اتصال به زمین (ارت شده) استفاده شود. مبدل دوشاخه نباید همراه با ابزار الکتریکی دارای اتصال به زمین (ارت شده) استفاده شود.
- ب) از تماس بدنی با قطعات دارای سیم اتصال به زمین (ارت شده) مانند لوله، شوفاز، اجاق برقی و بخدال خود داری کنید. در صورتیکه بدن شما با سیم دارای اتصال به زمین (ارت شده) تماس پیدا کند. خطر برق گرفتگی بیشتر خواهد شد.
- ت) دستگاه را از باران و رطوبت دور نگه دارید. نفوذ آب به ابزار الکتریکی. خطر شوک الکتریکی را افزایش می دهد.
- ث) از سیم به درستی استفاده کنید. از سیم دستگاه برای کارهایی چون حمل ابزار الکتریکی، آویزان کردن آن و یا خارج کردن دوشاخه از برق استفاده نکنید. دستگاه را در مقابل حرارت، روغن، لیه های تیز و بخش های متحرک دستگاه دور نگه دارید. کابل های آسیب دیده و یا گره خورده خطر شوک الکتریکی را افزایش می دهند.
- ج) در صورتیکه با ابزار الکتریکی در محیط باز کار می کنید. تنها از کابل را بطی استفاده کنید که برای محیط باز نیز مناسب باشد. کابل های رابط مناسب برای محیط باز. خطر برق گرفتگی را کم می کنند.
- ح) در صورت لزوم کار با ابزار الکتریکی در محیط و اماکن مرطوب. در اینصورت باید از یک کلید حفاظتی جریان خطا و نشستی زمین (کلید قطع کننده اتصال یا زمین) استفاده کنید. استفاده از کلید حفاظتی جریان خطا و نشستی زمین خطر برق گرفتگی را کمتر می کند.
- ۳ رعایت ایمنی اشخاص
- ا) حواس خود را خوب جمع کنید، به کار خود دقت کنید و با فکر و هوش کامل با ابزار الکتریکی کار کنید. در صورت خستگی و یا در صورتیکه مواد مخدر، الکل و دارو استفاده کرده اید. با ابزار الکتریکی کار نکنید. یک خطه بی توجهی هنگام کار با ابزار الکتریکی. میتواند جراحات های شدیدی به همراه داشته باشد.
- ب) همواره از تجهیزات ایمنی شخصی استفاده کنید. همواره از عینک ایمنی استفاده کنید. استفاده از تجهیزات ایمنی مانند ماسک کفایت ایمنی ضد لغزش، کلاه ایمنی و گوشی ایمنی متناسب با نوع کار با ابزار الکتریکی. خطر مرچ شدن را تقلیل می دهد.
- ت) مواظب باشید که ابزار الکتریکی بطور ناخواسته بکار نیفتد. قبل از وارد کردن دوشاخه دستگاه در پریز برق. اتصال آن به باطری. برداشتن آن و یا حمل دستگاه. باید دقت کنید که ابزار الکتریکی خاموش باشد. در صورتیکه هنگام حمل دستگاه انگشت شما روی دکمه قطع و وصل باشد و یا دستگاه را در حالت روشن به برق بزنید. ممکن است سوانح کاری پیش آید.
- ث) قبل از روشن کردن ابزار الکتریکی. باید همه ابزار های تنظیم کننده و آچار ها را از روی دستگاه بردارید. ابزار آچارهایی که روی بخش های چرخنده دستگاه قرار دارند. می توانند باعث ایجاد جراحات شوند.
- ج) بیش از حد به آنها نزدیک نشوید. برای کار جای مطمئنی برای خود انتخاب کرده و تعادل خود را همواره حفظ کنید. به این ترتیب می توانید ابزار الکتریکی را در وضعیت ای غیر منظره بهتر تحت کنترل داشته باشید.
- ح) لباس مناسب بپوشید. از پوشیدن لباس های فراخ و حمل زینت آلات خود داری کنید. موها، لباس و دستکش ها را از بخش های درحال چرخش دستگاه دور نگه دارید. لباس های فراخ. موی بلند و زینت آلات ممکن است در قسمت های درحال چرخش دستگاه گیر کنند.
- خ) در صورتیکه می توانید وسایل مکش گرد و غبار و یا وسیله جذب زائده را به دستگاه نصب کنید. باید مطمئن شوید که این وسایل نصب و درست استفاده می شوند. استفاده از وسایل مکش گرد و غبار مصونیت شما را در برابر گرد و غبار زیاد تر می کند.
- د) اجازه ندهید آشنایی و تسلط حاصل از استفاده مکرر از ابزارها باعث شود احساس نیاز به رعایت قواعد نکرده و به قوانین ایمنی ابزار بی توجهی کنید یک عمل از روی بی فکری می تواند به کسری از ثانیه موجب جراحات شدید شود
- ۴) استفاده صحیح از ابزار الکتریکی و مراقبت از آن
- ا) از وارد کردن فشار زیاد روی دستگاه خود داری کنید. برای هر کاری. از ابزار الکتریکی مناسب با آن استفاده کنید. بکار گرفتن ابزار الکتریکی مناسب باعث می شود که بتوانید از توان دستگاه بهتر و با اطمینان بیشتر استفاده کنید.
- ب) در صورت ابراز در کلید قطع و وصل ابزار برقی. از دستگاه استفاده نکنید. ابزار الکتریکی که نمی توان آنها را قطع و وصل کرد. خطرناک بوده و باید تعمیر شوند.
- ت) قبل از تنظیم ابزار الکتریکی. تعویض قطعات و یا کنار گذاشتن آن. دوشاخه را از برق کشیده و یا باطری آنرا خارج کنید. رعایت این اقدامات پیشگیری ایمنی از راه افتادن ناخواسته ابزار الکتریکی جلوگیری می کند.

- ث) ابزار الکتریکی را در صورت عدم استفاده. از دسترس کودکان دور نگه دارید. اجازه ندهید که افراد نا وارد و یا اشخاصی که این دفتر چه راهنما را نخوانده اند. با این دستگاه کار کنند. قرار گرفتن ابزار الکتریکی در دست افراد ناوارد و بی تجربه خطرناک است.
- ج) از ابزار الکتریکی خوب مراقبت کنید. مواظب باشید که قسمت های متحرک دستگاه خوب کار کرده و گیر نکنند. همچنین دقت کنید که قطعات ابزار الکتریکی شکسته و یا آسیب دیده نباشند. قطعات آسیب دیده را قبل از شروع به کار تعمیر کنید. علت بسیاری از سوانح کاری. عدم مراقبت کامل از ابزارهای الکتریکی می باشد.
- ح) ابزار برش را تیز و تمیز نگه دارید. ابزار برش که خوب مراقبت شده و از لیه های تیز برخوردارند. کمتر در قطعه کار گیر کرده و بهتر قابل هدایت می باشند.
- خ) ابزارهای الکتریکی. متعلقات. ابزاری که روی دستگاه نصب می شوند و غیره را مطابق دستورات این جزوه راهنما طوری به کار بگیرید که با مدل این دستگاه تناسب داشته باشند. همچنین به شرایط کاری و نوع کار توجه کنید. کاربرد ابزار برقی برای موارد کاری که برای آن در نظر گرفته نشده است. میتواند شرایط خطرناکی را متجرب شود.
- د) دسته ها و سطوح دستگیره ها را خشک. تمیز و عاری از روغن و گریس نگه دارید با دسته ها و سطوح دستگیره های لیز نمی توان در شرایط غیرمنظره بطور ایمن با ابزار کار کرد و کنترل آنها را داشت
- ۵) سرویس
- ا) برای تعمیر ابزار الکتریکی فقط به متخصصین حرفه ای رجوع کرده و از وسایل اصلی دستگاه استفاده کنید. این باعث خواهد شد که ایمنی دستگاه شما تضمین گردد.

## هشدارهای ایمنی برای اهر های گرد

### ۱) روش های برش

- ا) **خطر:** دست های خود را به ناحیه برش و تیغه نزدیک نکنید. دست دوم خود را روی دسته کمکی یا محافظه موتور قرار دهید. اگر اهر را با هر دو دست خود بگیرید. تیغه نمی تواند دست شما را ببرد.
- ب) **سعی کنید دست خود را زیر قطعه کاری ببرید.** حفاظ نمی تواند شما را از تیغه در زیر قطعه کاری محافظت کند.
- ت) **عمق برش را بر اساس ضخامت قطعه کاری تنظیم کنید.** کمتر از یک دندانه کامل تیغه باید از زیر قطعه کاری قابل مشاهده باشد.
- ث) **هرگز قطعه کاری که می خواهید برش بزنید را با دست یا در میان پاهای خود نگه دارید.** قطعه کاری را در یک جایگاه ایستاد محکم کنید. بسیار مهم است که قطعه کار را بطور صحیح محکم کنید تا از فرار گرفتن بدن خود در معرض ابزار. گیر کردن تیغه و یا از دست رفتن کنترل جلوگیری نماید.
- ج) **حتماً باید ابزار را از جای دستهای مخصوص عایق شده آن بگیرید.** چون امکان دارد تیغه های برش با سیمهای پنهان شده یا سیمهای خود ابزار تماس پیدا کنند (تماس تیغه برش با سیم های "برق دار" می تواند در بخشهای فلزی دستگاه نیز جریان "برق" تولید کرده و در کار برقی گرفتگی ایجاد کند)
- ح) **هنگام برش همیشه از یک حصار برش و یا خط کش صاف لیه استفاده کنید.** این کار دقت برش را افزایش داده و احتمال گیر کردن تیغه را کاهش می دهد.
- خ) **همیشه از تیغه هایی با اندازه و شکل سوراخ های میانی مناسب (لوزی شکل) به میانسبه یا کدر) استفاده کنید.** کارکرد تیغه هایی که با محل های فرارگیری در اهر تناسب نداشته باشند غیرعادی بوده و کنترل ابزار را از دست شما خارج خواهند ساخت.
- د) **هرگز از واشر یا پیچ تیغه آسیب دیده یا نادرست استفاده نکنید.** واشر و پیچ تیغه بطور خاص برای اهر شما و تضمین کارکرد بهینه و ایمنی عملیات طراحی شده اند.
- ۴) **دلایل پس زدن ابزار و هشدارهای مربوطه**
- پس زدن به حرکت ناگهانی در واکنش به گیر کردن محدود یا همه جانبه و یا تراز نبودن تیغه اهر گفته می شود که باعث می گردد اهر بطرز غیرقابل کنترلی بلند شده و از قطعه کاری بیرون آمده و به سمت اپراتور برود
- تیغه از حرکت می ایستد و واکنش حرکتی موتور باعث می شود که دستگاه با سرعت و شدت بسیار زیاد به سمت اپراتور برود
- اگر تیغه در برش پیچ و تاب برداشته یا از تراز خارج شود. دندانه لیه پشتی تیغه می تواند وارد سطح بالایی چوب شده و باعث شود که تیغه از شکاف برش خارج شده و به سمت اپراتور جهش نماید
- پس زدن در نتیجه استفاده غلط و یا بکارگیری نادرست ابزار برقی و یا در شرایطی روی می دهد که با رعایت توصیه های ایمنی زیر می توان از بروز آن جلوگیری کرد.

## درگ هرا

## مقدمه

- این ابزار برای برش طولی و عرضی قطعات چوب و نیز برشهای زاویه ای تا ۵۰ درجه کاربرد دارد؛ در صورت استفاده از تیغه آره های مناسب، این ابزار را می توان برای برش فلزات غیر آهنی، مصالح ساختمانی سبک و پلاستیک نیز استفاده کرد
- این ابزار برای مسارف حرفه ای مناسب نیست
- لطفاً این دفترچه راهنما را مطالعه کرده و نگهدارید (۳)

## اطلاعات فنی (۱)

## اجزای ابزار (۲)

- A کلید استارت  
B کلید ایمنی  
C ضامن قفل کننده شفت  
D پیچ تیغه  
E فلنج  
F حفاظ پایین  
G اهرم باز کننده حفاظ پایین  
H سطح گیره  
J کلید گردان برای تنظیم عمق اره کاری  
K صفحه پایه  
L عمق سنج  
M مهره تنظیم زاویه برش  
N نشانگر زاویه برش  
P پیچ تنظیم توقف انتهای ۰۹ درجه  
Q خط یاب برش  
R دستگیره عقب  
S دستگیره جلو  
T آچار تیغه اره  
V محل نگهداری آچار تیغه اره  
W خروجی خرده چوب  
Y مبدل جاروبرقی  
Z حفاظ برش  
AA کلید گردان تنظیم حفاظ برش  
BA شیارهای تهبویه

## ایمنی

راهنمای ایمنی عمومی برای ابزارهای الکتریکی

**⚠ هشدار تمامی هشدارهای ایمنی، دستورالعمل ها، تصاویر و مشخصات فنی ارائه شده همراه با این ابزار الکتریکی را مطالعه کنید در صورت عدم رعایت هشدارهای زیر خطر برق گرفتگی، آتش سوزی و/یا بروز جراحت های شدید وجود خواهد داشت.**

**همه هشدارها و راهنمائی ها را برای استفاده آتی نگهداری کنید.**

در این هشدارها عبارت "ابزار الکتریکی" به معنی ابزارهای الکتریکی فاقد باتری (با سیم برق) و یا ابزارهای الکتریکی باتری دار (شارژی) است

- (۱) ایمنی محل کار  
(أ) محل کار خود را تمیز مرتب و مجهز به نور کافی نگهدارید. محیط کار نامرتب و کم نور می تواند باعث سوانح کاری شود.  
(ب) با ابزار الکتریکی در محیط هایی که در آن خطر انفجار وجود داشته و حاوی مایعات، گازها و غبارهای محترقه باشد، کار نکنید. ابزارهای الکتریکی جرقه های ایجاد می کنند که می توانند باعث آتش گرفتن گرد و بخار های موجود در هوا شوند.  
(ت) هنگام کار با ابزار الکتریکی، کودکان و سایر افراد را از دستگاه دور نگهدارید. در صورتیکه حواس شما پرت شود، ممکن است کنترل دستگاه از دست شما خارج شود.

مجال رؤیة خط القطع Q کمرجع صفری

- احکم ریمق الفیض الدوار AA

• قطع الفطس (۱۱)

- اضبط عمق الفقع المطلوب
- قم بایماله الأداة للأمام باستخدام مجال رؤیة خط القطع Q على خط واحد مع خط القطع المطلوب المین على قطعة العمل.
- افتح الواقی السفلی F باستخدام الذراع G؛
- قبل إدخال الشفرة بقطعة العمل مباشرة، قم بتشغیل الأداة وانزل الجزء الخلفی منها تدريجیاً باستخدام الجهة الأمامیة من القدم كمنقلة تلامس
- حرك الأداة للأسفل وللأمام تدريجیاً
- فور دخول الشفرة بالمادة، اغلق الذراع G
- ! يحظر نهائیا سحب الأداة للخلف
- قطع اللوحات الكبریة (۱۲)
- قم بسند اللوحة قریباً من القطع سواء على الأرض أو المنضدة أو منصة العمل
- ! اضبط عمق القطع بحيث ینفذ القطع باللوحة وليس بالدعمامة
- فی حالة ما لم یوقر حاجز النشر الطولی عرض القطع المطلوب، قم بتثبيت قطعة خشب مستقیمة بقطعة العمل باستخدام ملزمة أو براغی بحيث تُستخدم كمنقلة موجهة، واستخدم الجانب الأیمن من القدم فی مقابل هذه القطعة

## الصيانة / الخدمة

- لم يتم تصمیم هذه الأداة للاستخدام الاحترافي.
- احرض دائماً على نظافة الأداة والسلك (وخصوصاً فتحات التهوية  $\text{span} < \text{cstyle} = \text{white-space:pre} > \text{AB} < / \text{span} >$ ;
- ! افصل القابس قبل التنظيف
- حافظ دائماً على نظافة المنطقة المحیطة بالواقی السفلی F (۱) (قم بإزالة الغبار والرفائق من خلال النفخ بواسطة هواء مضغوط أو فرشاة)
- نظف ریش المنشار بعد الاستخدام مباشرة (خاصة من الصمغ والغراء)
- إذا تعذر تشغيل الأداة على الرغم من الحذر الشديد فی إجراءات التصنيع والاختبار، فیجب القيام بالإصلاحات بواسطة مركز خدمة ما بعد البیع لأدوات الطاقة التابع لشركة SKIL.
- لم یارسال الأداة دون تفكیکها بالإضافة إلى إثبات الشراء إلى البائع أو أقرب محطة خدمة SKIL (العنوانین بالإضافة إلى مخطط الخدمة متاحان على [www.skil.com](http://www.skil.com))
- کن على علم بأن التلف الناتج عن زیادة التحمیل أو التعامل مع الأداة بطريقة خاطئة سیتم استثنائه من الضمان (المعرفة شروط ضمان SKIL انظر [www.skil.com](http://www.skil.com) أو قم بسؤال باع المعدات)

## البيئة المحیطة

- لا تتخلص من الأدوات الكهربائية والملحقات ومواد التغليف مع النفايات المنزلیة (الدول الأخرى الأوروبية فقط).
- وفقاً للتوجیه الأوروبي ۱۲/۱۹/۲۰۱۲ EC حول نفايات المعدات الكهربائية والإلكترونیة وتطبیقه بالتوافق مع القانون المحلي، یجب جمیع الأدوات الكهربائية منتهیة الصلاحیة بشكل منفصل وإرسالها إلى أحد منشآت إعادة التصنيع المتوافقة مع البیئة
- سیتذكر الرمz (۵) بهذا عند الحاجة إلى التخلص من أية أداة؛

## الضوضاء / الاهتزاز

- عند القیاس بالتوافق مع EN ۱۲۸۴1 یكون مستوى ضغط صوت هذه الأداة هو ۹۷،۰ دبیسل(أ) ومستوى صوت الطاقة ۱۰۸،۰ دبیسل (أ) (الاحتمالیة  $K = ۳$  دبیسل). والاهتزاز \* (مجموعه الكمیات الموجبة، الاحتمالیة  $K = ۱،۵$  م/م<sup>۲</sup>)
- \* قطع الأختصاص ۴،۰ م/م<sup>۲</sup>
- \* قطع العادن ۲،۸ م/م<sup>۲</sup>
- تم قیاس مستوى الاهتزازات بالتوافق مع الاختبار المعیاری المجدد فی EN ۱۲۸۴1؛ یمكن استخدامه لمقارنة أداة بأداة أخرى وكتفیمیم عمهیمي للتعرض للاهتزاز عند استخدام الأداة فی التطبيقات اللوحیة:
- قد یؤدي استخدام الأداة فی تطبیقات مختلفة أو مع ملحقات مختلفة أو ذات صیانة ردیة إلى زیادة مستوى التعرض بصورة كبیریة؛
- إن الفقرة الزمینیة التي يتم خلالها إيقاف تشغيل الأداة أو عندما تكون قید التشغيل لكشها لا تؤدي أية مهام، تؤدي إلى تقلیل مستوى التعرض بصورة كبیریة؛
- ! قم بحمائیة نفسك من تأثيرات الاهتزاز من خلال صیانة الأداة وملحقاتها. والحفاظ على یدیک دافئتين وتنظیم أعناق العمل لیدیک؛

- لا تستخدم سوى أوصل مناشير التي يبلغ قطرها 190 م بحد أدنى و 190 م بحد أقصى. وقطر فتحة عمود الدوران 16 م (5430)
- يحظر نهائيًا استخدام شفرة منشار مصنوعة من الفولاذ عالي السرعة (HSS)
- يحظر نهائيًا استخدام أقراص جلك/قطع مع هذه الأداة

#### قبل الاستخدام

- تأكد دائمًا من أن الفولت المزود هو نفسه المشار اليه على اللوحة الخاصة بالأداة
- تجنب التلف الذي قد تتسبب فيه البراغي والمسامير والعناصر الأخرى الموجودة في القطعة التي تعمل بها. قم بتكثيفهم قبل بدء العمل:
- قبل بدء القطع قم بإزالة جميع العوائق التي توجد أعلى وأسفل مسار القطع
- ثبت قطعة العمل (المنشك) بقطعة عمل مثبتة بأجهزة تثبيت أو في ملزمة أكثر أمانًا من مسكها باليد:
- استخدم كاشفات ملائمة للعثور على خط المرافق أو اطلب شركة المرافق المحلية للحصول على مساعدة التلامس مع خطوط إمداد الكهرباء قد يؤدي إلى حدوث حريق أو صدمة كهربائية؛ وتلف خط الغاز قد يؤدي إلى حدوث انفجار؛ واختراق أنابيب المياه سيتسبب في حدوث ضرر في الممتلكات أو صدمة كهربائية؛
- استخدم أسلاك تمديد مفكوكة تمامًا وأمنة سعة 16 أمبير (13 أمبير في بريطانيا العظمى)

#### أثناء الاستخدام

- قد يزيد مستوى الضوضاء أثناء العمل عن 85 ديسيبل (A). لذا قم بإرتداء واقبات للأذن
- يحظر نهائيًا استخدام الأداة بدون نظام الحماية الأصلي للوقاية
- لا خالو قص قطع صغيرة جدا
- لا تستخدم الأداة فوق مستوى الرأس
- في حالة حدوث احتشار أو خلل كهربائي أو ميكانيكي، أوقف تشغيل الأداة فورًا وافصل القابس
- في حالة تعرض السلك للتلف أو لقطع أثناء العمل، لا تلمس السلك وافصل القابس فورًا

#### بعد الاستخدام

- عندما تضع الأداة جانبًا، أوقف تشغيل المحرك وتأكد من توقف جميع الأجزاء المتحركة بشكل تام
- بعد القيام بإيقاف تشغيل المنشار الدائري، امتنع نهائيًا عن إيقاف دوران شفرة المنشار باستخدام قوة جانبية تعترضه
- شرح الرموز الموجودة على الأداة
- ② قم بقراءة دليل الإرشادات قبل الاستخدام
- ③ العزل المزوج (لا يلزم سلك أرضي)
- ④ لا تتخلص من الأداة مع النفايات المنزلية؛

#### الاستخدام

- تركيب شفرة المنشار ①
- أفضل القابض:
  - تناول مفتاح ربط الشفرة T من موضع التخزين V
  - ادفع زر قفل عمود الدوران C وبنه أثناء قيامك بإزالة مسمار النصل D باستخدام مفتاح ربط النصل T؛
  - ! لا تقم بدفع زر القفل المغزلي C إلا والأداة متوقفة تمامًا عن الحركة
  - اغلق زر القفل المغزلي C
  - قم بإزالة الفلنجة E
  - ! تأكد من النظافة التامة لأسطح تثبيت H الفلنجات ومن أنها متقابلة الشفرة
- افتح الواقي السفلي F باستخدام الذراع G وبنه أثناء القيام بتركيب شفرة المنشار بحيث تشير سنون المنشار والمنشور والسهم المطبوع على نصل المنشار إلى نفس اتجاه السهم الموجود على الواقي السفلي
- اغلق الواقي السفلي F
- قم بتركيب الفلنجة E
- ادفع زر القفل المغزلي C وبنه أثناء إحكام ربط برغي الشفرة باستخدام مفتاح ربط البرغي بمقدار ٨/١ لفة باليد (مع التأكد من الزلاق شفرة المنشار عندما يتعرض لمقاومة هائلة، الأمر الذي يخفف التحميل الزائد على المحرك وإرتداد المنشار)
- اغلق زر القفل المغزلي C
- لضبط عمق القطع ①
- للحصول على أفضل جودة قطع يجب ألا تمتد شفرة المنشار لمسافة تزيد عن 3 ملم أسفل قطعة العمل

- اغلق المقبض الدوار L
- ارفع/انزل القدم K حتى تضبط عمق القطع المطلوب على التدرج باستخدام المؤشر L
- احكم ربط المقبض الدوار L
- ضبط زاوية القطع (0-90 درجة) ⑤
- اغلق المقبض الدوار M
- قم بإزالة الأداة حتى ضبط زاوية القطع المطلوبة على التدرج باستخدام المؤشر N
- احكم ربط المقبض الدوار M
- ! عند القطع المائل، لا يتوافق عمق القطع مع القيمة الظاهرة على تدرج عمق القطع

- التحقق من زاوية قطع 90 درجة ⑥
- اضبط القدم K واحكم ربطها على الحد الأقصى لعمق القطع ①
- اضبط زاوية القطع واحكم ربطها على زاوية 0 درجة
- خذ من توفّر زاوية قياسها 90 درجة بين النصل والجزء السفلي من القدم باستخدام مربع
- في حالة الحاجة إلى الضبط، حرر المقبض M واستخدم برغي الضبط P كما هو موضح بالشكل.

- مجال رؤية خط القطع القابل للضبط Q ⑦
- توجيه الأداة على امتداد خط القطع المطلوب المبين على قطعة العمل
- استخدم خط المؤشر الملائم للحصول على قطع مستقيم بزاوية قياسها 0 درجة أو قطع مائل بزاوية قياسها 45 درجة
- ! يجب سندن الجزء العريض من القدم على الجزء المدعم من قطعة العمل
- يمكن تعديله بخدادة عرض نصل المنشار المختلفة. ومع ذلك قد يكون هناك جانب واحد من نصل المنشار غير متوافقًا، ثم اختر ما إذا كانت النفايات على الجانب الداخلي أو الخارجي للنصل ⑧
- ! يتحدد عمق القطع تبعًا لعرض سنون الشفرة وليس تبعًا لعرض جسم الشفرة

- ! قم دائمًا بإجراء تجارب قطع في بادئ الأمر للتحقق من خط القطع
- شطف القابل
- وصل المنكسة الكهربائية بموضع التوصيل Y ⑨
- ! لا تسمح تمامًا بتداخل خرطوم المنكسة الكهربائية مع الواقي السفلي أو عملية القطع

- تشغيل الأداة ④
- وصل القابض بمصدر الطاقة
- امسك دائمًا بالمقبض R بإحكام بإحدى اليدين وامل باليد الأخرى S
- ضع الأداة بشكل مستوي على قطعة العمل بالجهة الأمامية من القدم
- ! تأكد من عدم تداخل سنون المنشار في قطعة العمل
- قم بتشغيل الأداة أولاً بالضبط على الزر B (= مفتاح الأمان الذي لا يمكن قفله) ثم اسحب مفتاح التشغيل A

- ! يجب أن تعمل الأداة بسرعة كاملة قبل أن تدخل الشفرة في قطعة العمل
- يفتح الواقي السفلي F تلقائيًا عندما تدخل شفرة المنشار قطعة العمل (افتح الواقي السفلي يدويًا G وذلك فقط للقطع الخاص مثل بدأ القطع من الوسط)
- ! لا تستخدم الأداة قسرًا (اضغط برفق وباستمرار لتجنب تعرض أطراف الأنصال المستدقة للسخونة المفرطة، وفي حالة تقطيع البلاستيك، لتجنب توبان المواد البلاستيكية)؛
- ! أثناء العمل، امسك الأداة دائمًا من منطقة (مناطق) المقبض رمادية اللون
- بعد إتمام عملية القطع أوقف تشغيل الأداة عن طريق إغلاق مفتاح التشغيل A
- ! تأكد من توقف حركة الشفرة تمامًا قبل رفع الأداة عن قطعة العمل

#### توصيات الاستخدام

- وجه الجانب الجيد من قطعة العمل للأفضل دائمًا لضمان أقل كمية من النشاطا
- لا تستخدم سوى شفرات منشار حادة من النوع الصحيح ⑩
- تحسن جودة القطع تبعًا لعدد السنون
- تبقى الشفرات ذات السنون المصنوعة من مادة الكبريت حادة حتى 30 مرة أكثر من الشفرات العادية
- حاجز النشر الطولي ⑪ Z
- للحصول على عمليات قطع دقيقة على امتداد حافة قطعة العمل
- يمكن إدخاله في أي جانب من جوانب القدم
- ضبط حاجز النشر الطولي
- اغلق المقبض الدوار AA
- اضبط عرض القطع المطلوب باستخدام تدرج حاجز القطع الطولي (استخدم

الحادة التي تم صنعها بغاية تنكليس بشكل أقل ويمكن توجيهها بشكل أيسر.  
 (ح) استخدم العدد الكهربائي والتوايح وعدد الشغل والبخ حسب هذه التعليمات. تراعى أثناء ذلك شروط النشغل والعمل المراد تنفيذها. استخدام العدد الكهربائية لغير الأشغال المخصصة لأجلها قد يؤدي إلى حدوث الحوادث الخطيرة.  
 (د) احرص على جفاف المقابض وأسطح الإمساك وظفافتها وعلوها من الزيت والشحم؛ لا تسمح المقابض وأسطح الإمساك الزلقة بالاستخدام والتحكم الآمن في الآلة في الحالات غير المتوقعة؛  
 (هـ) الحزمة  
 (أ) اسمح بتصليح عدتك الكهربائية فقط من قبل المتخصصين فقط بإستعمال قطع الغيار الأصلية. يؤمن ذلك المحافظة على أمان الجهاز.

#### تدابير السلامة الخاصة بالمشغلات الدائرية

- (1) إجراءات القطع  
 (أ) خطر: احرص على بقاء يدك بعيداً عن منطقة القطع والنصل؛ وضع يدك الأخرى على المقبض الإضافي أو مبيت المحرك؛ إذا أمسكت بالمشغل بكتلتا يديك. فسيتعذر قطعها بواسطة النصل:  
 (ب) لا تمد يدك أسفل قطعة العمل؛ ليس بإمكان الواقي حمايتك من النصل الموجود أسفل قطعة العمل:  
 (ت) اضبط عمق القطع على سمك قطعة العمل؛ يجب أن يظهر ما هو أقل من سن كامل أسفل قطعة العمل:  
 (ث) يحظر نهائياً الإمساك بقطعة العمل الجاري قطعها في يدك أو بين سابقيك؛ قم بتأمين قطعة العمل بمنصة ثابتة؛ من الضروري دعم العمل بشكل صحيح لتفليح إنبواب الجسم أو تعويج حركة النصل أو فقدان التحكم:  
 (ج) لا تحسك بالأداة الكهربائية إلا بواسطة أسطح الإمساك العزولة فقط. لأن شفرات القطع قد تتعرض إلى التلامس مع أسلاك غير ظاهرة أو مع سلك الطاقة الخاص بها. تلامس شفرات القطع مع سلك "متصل بالكهرباء" سيؤدي إلى "وصول التيار الكهربائي" إلى الأجزاء المعدنية المكشوفة وقد يعرض المشغل لصدمة كهربائية؛  
 (ح) عند النشر الطولي، استخدم دائماً حاجز قطع طولي أو موجه حافة مستقيم؛ فهذا من شأنه أن يحد من قوة القطع ويقلل فرصة تعويج الشكل للنصل:  
 (خ) استخدم دائماً أنصلا ذات مقاس صحيح وتنتمى بشكلك (شكل معين مقابل الحلقة) فتحات محور صحيح. ستعمل الأنصلا تلك في تلازم جهاز تركيب المشغل بشكل غريب، وستتسبب في فقدان التحكم؛  
 (د) يحظر نهائياً استخدام فتكات أنصلا تالفة أو غير صحيحة وكذلك الحال بالنسبة لبرغي النصل تم تصميم فتكات الأنصلا والبرغي خصيصاً من أجل مشاركت للحصول على أداء مثالي ولأمان التشغيل؛  
 (ذ) أسباب الارتداد والتذبذبات المرتبطة  
 يعد الارتداد رد فعل مفاجئ لحصر أو تعويج أو فقدان استقامة نصل المشغل. ما يتسبب في رفع المشغل الخارج عن السيطرة وإخراجه من قطعة العمل بإتجاه المشغل؛  
 عند تعرض النصل للحصر أو التعويج المحكم بسبب توقف القطع، يتوقف النصل ويؤدي رد فعل المحرك إلى دفع الوحدة للخلف سريعاً نحو المشغل؛  
 إذا تعرض النصل للي أو فقدان الاستقامة في القطع، فإن السنون الموجودة في الحافة الخلفية للنصل قد تنشق السطح العلوي للخشب متنسبة في ارتفاع النصل خارج القطع واندفاعه للخلف نحو المشغل.  
 إن الصدمة الارتدادية هي نتيجة لاستخدام العدة الكهربائية بشكل خاطئ أو غير صحيح. وتكون جذبها من خلال إجراءات الاحتياط للملأمة اللائحة الذكر.  
 (أ) أحكم الإمساك بالمشغل بكتلتا يديك واتخذ بذراعيك الوضع الذي يتيح لك مقاومة قوى الارتداد؛ ضع جسمك على أي من جانبي النصل. على ألا يكون ذلك على استقامة واحدة مع النصل؛ قد يتسبب الارتداد في قفز المشغل للخلف. إلا أن المشغل بإمكانه التحكم في قوى الارتداد. إذا اتخذ الاحتياطات للملأمة:  
 (ب) عند تعويج حركة النصل أو مقاطعة القطع لأي سبب من الأسباب، حرر الزناد وثبت المشغل بالحرارة في المادة حتى يتوقف النصل تماماً؛ يحظر نهائياً محاولة إزالة المشغل من العمل أو سحبه للخلف أثناء حركة المشغل، وإلا فقد يحدث ارتداد؛ حقق من الأمان واتخذ الإجراءات التصحيحية للتخلص من سبب تعويج حركة النصل؛ جُنب قطع السامري والبرازي؛  
 (ت) عند إعادة تشغيل مشغل من قطعة العمل، ضع نصل المشغل في وضع مركزي في القطع وحقن من عدم تعشيق سنون المشغل في المادة؛ في حالة تعويج حركة نصل المشغل، قد يتحرك لأعلى أو يرتد من قطعة العمل عند إعادة تشغيل المشغل؛  
 (ث) قم بسنن اللوحات الكبيرة لتقليل خطر حصر وارتداد النصل؛ حيث تميل اللوحات الكبيرة للانزلاق تحت ثقل أوزانها، يجب وضع العمامات أسفل اللوحة بكلا

الجانين بالقرب من خط القطع ومن حافة اللوحة؛

(ج) لا تستخدم أنصلا غير حادة أو تالفة؛ تؤدي الأنصلا غير الحادة أو المصبوطة على نحو غير صحيح إلى قطع محدود. ما يتسبب في احتكاك مفرط وتعويج حركة النصل وارتداده؛  
 (ح) يجب أن يكون عمق النصل وأدرع قفل ضبط الميل محكمة ومؤمنة قبل القطع؛ في حالة انتقال ضبط النصل من موضعه أثناء القطع، قد يتسبب ذلك في تعويج الحركة وحدوث ارتداد؛  
 (خ) توخ مزيداً من الحذر عند النشر في حوائط قائمة أو أي مناطق "غير نافذة" أخرى؛ قد يقوم النصل الخاطئ بقطع أجسام بإمكانها إحداث ارتداد؛

- (1) وظيفة الواقي السفلي  
 (أ) حَقِّق من الخلق التام للواقي السفلي قبل كل استخدام؛ لا تقم بتشغيل المشغل إذا لم يتحرك الواقي السفلي بحرية ولم يتنقلق فوراً؛ يحظر نهائياً قشط أو ربط الواقي السفلي في وضع الفتح؛ إذا تعرض المشغل للسقوط عن غير قصد، فقد ينتهي الواقي السفلي. أفضل القياس ورفع الواقي السفلي باستخدام مقبض السحب، وتأكد من تحركه بحرية وعدم ملامسته للنصل أو لأي جزء آخر في كل زوايا وأعماق القطع؛  
 (ب) حَقِّق من تشغيل زنبرك الواقي السفلي؛ إذا لم يعمل كل من الواقي والزنبرك على نحو جيد، يجب أن يخضع لأعمال الصيانة قبل الاستخدام؛ قد يعمل الواقي السفلي بطء بسبب وجود أجزاء تالفة أو رواسب لزجة أو تراكم الخلفات؛  
 (ت) يجب سحب الواقي السفلي يدوياً فقط مع القطوع الخاصة مثل قشور الخشب والغسب والفتوح المركبة؛ ارفع الواقي السفلي عن طريق مقبض السحب، ويجب تحرير الواقي فور دخول المشغل في المادة؛ لكل عمليات النشر الأخرى، يجب تشغيل الواقي السفلي تلقائياً؛  
 (ث) انتبه دائماً إلى أن الواقي السفلي يغطي النصل قبل وضع المشغل على الطاولة الأرضية؛ فوجود نصل مستمر في الدوران وغير محمي سيؤدي إلى خزيك المشغل للخلف وقطع أي شيء يوجد في مساره. انتبه جيداً إلى الوقت الذي يستغرقه النصل حتى يتوقف بعد تحرير المنفذ؛

#### تدابير السلامة الإضافية

- يؤدي اندفاع التيار إلى حدوث انخفاض الفولتية لفترة قصيرة قد تتأثر معدات أخرى في طرفي إمداد الطاقة غير المناسبة (إذا كانت مقاومة النظام لإمداد الطاقة أقل من ٠.٤١٨ أوم). فمن غير المحتمل حدوث انقطاع في الطاقة، إذا أُرثت الحصول على المزيد من الإيضاح فيمكنك الاتصال بهيئة إمداد الطاقة المحلية لديك

#### معلومات عامة

- لا يجب استخدام هذه الآلة من قبل الأشخاص الأقل من ١٦ عام؛
- هذه الآلة غير ملائمة للقطع للمبلى
- احرص دائماً على فصل المقابس من مصدر الطاقة قبل القيام بأية عمليات ضبط أو تغيير أية ملحقات؛
- جُنب تماماً استخدام الآلة عند تلف السلك؛ فيجب استبداله بسلك معد خصيصاً متاح من خلال منظومة الخدمة.
- لا تعمل باستخدام مواد تشتمل على الألبستوس (يعتبر الألبستوس مادة مسرطنة)؛
- الغبار الناتج من المواد كالأطلام الذي يحتوي على رصاص وبعض أنواع الأخشاب والمعادن والمواد المعدنية قد يكون ضاراً (ملاصحة أو استنشاق الغبار قد تتسبب في إصابة المشغل أو من يجاوره بأمراض الحساسية أو/أو أمراض الجهاز التنفسي)؛ قم بارتداء قناع للغبار مع العمل باستخدام جهاز شفط للغبار، طالما أمكن توصيله
- ثمة أنواع معينة من الغبار تُصنّف على أنها مواد مسببة للسرطان (مثل غبار خشب البوط والزان) خاصة عند استخدامها مع مواد مضافة لعلاج الخشب؛ قم بارتداء قناع للغبار مع العمل باستخدام جهاز شفط للغبار، طالما أمكن توصيله
- التزم بالتعليمات الوطنية الخاصة بالغبار عند العمل باستخدام المواد المطلوبة
- لا تستخدم سوى طاوله النشر المزودة بمفتاح يحمي من إعادة تشغيل المحرك بعد انقطاع الجهد الكهربائي
- لا تستخدم سوى طاوله النشر المزودة بدليل القطع

#### الملحقات

- تضمن SKIL التشغيل السليم للآلة فقط عند استخدام الملحقات الأصلية؛
- استخدم فقط أنصلا المشغل التي تتوافق مع بيانات المواصفات المزودة في تعليمات التشغيل هذه والتي تم اختبارها وتبهرها بالتوافق مع EN ١٨٤٧-١؛
- استخدم فقط الملحقات بالسرعة المسموح بها، والتي تتوافق على الأقل أعلى سرعة للآلة دون حمل؛
- لا تستخدم سوى أنصلا مشغلات التي يبلغ قطرها ١٨٤ م بحد أدنى و ١٨٤ م بحد أقصى. وقطر فتحة عمود الدوران ١٦ م، (٥٨٤٠)



## مقدمة

- هذه الأداة مخصصة للقطع الطولي والمقاطع للأخشاب مع القطع المستقيم و قطع الزاوية إلى غاية ٥٠ درجة، وباستخدام الشفرة الملائمة يمكن كذلك قطع المواد غير الحديدية ومواد البناء الخفيفة وال بلاستيك.
- لم يتم تصميم هذه الأداة للاستخدام الاحترافي؛
- اقرأ دليل التعليمات هذا واحتفظ به (٢)

## ١) البيانات الفنية

## ٢) مكونات الأداة

- A مفتاح التشغيل
- B مفتاح الأمان
- C قفل مغزلي
- D برغي الشفرة
- E فلنجة
- F واقي سفلى
- G مقبض لفتح الواقي السفلي
- H سطح التثبيت
- J مقبض لضبط عمق النشر
- K منصة القدم
- L مؤشر عمق القطع
- M مقبض دوار لضبط القطع
- N مؤشر زاوية القطع
- P برغي لضبط محدد النهاية بزاوية ٠٩ درجة
- Q مجال رؤية خط القطع؛
- R مقبض خلفي
- S مقبض أمامي
- T مفتاح ربط الشفرة
- V تخزين مفتاح ربط الشفرة
- W مخرج رفائق النشارة
- Y مهايئ الكنسة الكهربائية؛
- Z دليل القطع الطولي
- AA مقبض لضبط دليل القطع الطولي
- BA فتحات التهوية

## أمان

## تحذيرات السلامة العامة للأداة الكهربائية

**⚠** خذ برأيك اقرأ كل تحذيرات السلامة والتعليمات والأشكال الإيضاحية والمواصفات المرفقة مع هذه الأداة الكهربائية فقد يؤدي الإخفاق في الالتزام بكل التعليمات المبينة فيما يلي إلى التعرض لصدمة كهربائية و/أو حرق و/أو إصابة خطيرة:

## احتفظ بكل التحذيرات للرجوع إليها في المستقبل

التحذيرات إلى الأداة الكهربائية الخاصة بك التي « الأداة الكهربائية » يشير المصطلح تعمل بطاقة المآخذ الرئيسي) باستخدام سلك( أو بطاقة البطارية (بدون سلك):

- ١) الأمان يمكن الشغل
- أ) حافظ على نظافة وحسن إضاءة مكان شغلك. الفوضى في مكان الشغل ومجالات العمل الغير مضاءة قد تؤدي إلى حدوث الحوادث.
- ب) لا تستعمل بالعدة الكهربائية في محيط معرض لخطر الانفجار والذي تتوفر فيه السوائل أو الغازات أو الأبخرة القابلة للإشتعال. العدد الكهربائية تشكل الشرر الذي قد يتطاير. فيشعل الأبخرة والأبخرة.
- ت) حافظ على بقاء الأطفال وغيرهم من الأشخاص على بعد عندما تستعمل العدة الكهربائية. قد تفقد السيطرة على الجهاز عند التلهي.
- ٢) الأمان الكهربائي
- أ) يجب أن يتلامس قابس وصل العدة الكهربائية مع المقبس. لا يجوز تغيير القابس

بأي حال من الأحوال. لا تستعمل القوابس المهايئة مع العدد الكهربائية المؤرضة تأريضه. تخفض القوابس التي لم يتم تغييرها والمقابس الملائمة من خطر الصدمات الكهربائية.

ب) تجنب ملامسة السطوح المؤرضة كالألأابيب واراياتورات التدفئة والمدافئ أو البرادات بواسطة جسمك. يزداد خطر الصدمات الكهربائية عندما يكون جسمك مؤرض.

ت) أبعد العدة الكهربائية عن الأمطار أو الرطوبة. يزداد خطر الصدمات الكهربائية إن تسرب الماء إلى داخل العدة الكهربائية.

ث) يجب عدم إساءة استخدام الكابيل. لا تسنّ استعمال الكابيل لحمل العدة الكهربائية أو لتعليقها أو لسحب القابس من المقبس. حافظ على إبعاد الكابيل عن الحرارة والزيت والحواف الحادة أو عن أجزاء الجهاز المتحركة. تزيد الكابلات التالفة أو المتشابكة من خطر الصدمات الكهربائية.

ج) استخدم فقط كابلات التمديد الصالحة للإستعمال الخارجي أيضا عندما تشتغل بالعدة الكهربائية في الخلاء. يخفض استعمال كابل تمديد مخصص للإستعمال الخارجي من خطر الصدمات الكهربائية.

ح) إن لم يكن بالإمكان عدم تشغيل العدة الكهربائية في الأجواء الرطبة. فاستخدم مفتاح للوقاية من التيار المتردد. إن استخدام مفتاح للوقاية من التيار المتردد يقلل خطر الصدمات الكهربائية.

٣) أمان الأشخاص

أ) كن يقظا وأنتبه إلى ما تفعله وقم بالعمل بواسطة العدة الكهربائية بتعقل.. لا تستخدم عدة كهربائية عندما تكون متعب أو عندما تكون تحت تأثير المخدرات أو الكحول أو الأدوية. عدم الانتباه للحظة واحدة عند استخدام العدة الكهربائية قد يؤدي إلى إصابة خطيرة.

ب) ارتد عتاد الوقاية الخاص. وارتد دائما نظارات واقية. يجب ارتداء عتاد الوقاية الخاص. كقناع الأوساخ و الغبار وأحذية الأمان الواقية من الإنزلاق والحذاء واقية الأذن.

حسب نوع والإستعمال العدة الكهربائية. من خطر الإصابة بجروح.

ت) تجنب التشغيل بشكل غير مقصود. تأكد من كون العدة الكهربائية مطفاة قبل وصلها بإمدها التيار الكهربائي و/ أو بالمركم، وقبل رفعها أو حملها. إن كنت تضع إصبعك على المفتاح أثناء حمل العدة الكهربائية أو إن وصلت الجهاز بالشبكة الكهربائية عندما يكون قيد التشغيل. فقد يؤدي ذلك إلى حدوث الحوادث.

ث) ارتد عدد الضغط أو مفتاح الربط قبل تشغيل العدة الكهربائية. قد تؤدي العدة إلى المنفاج المتواجد في جزء دوار من الجهاز إلى الإصابة بجروح.

ج) تجنب أوضاع الجسم غير الطبيعية. قف بأمان وحافظ على توازنك دائما. سيسمح لك ذلك من السيطرة على الجهاز بشكل أفضل في المواقف غير المتوقعة.

ح) ارتد ملابس مناسبة. لا ترتدي الثياب الضففاضة أو الخلي. حافظ على إبقاء الشعر والثياب والقفازات على بعد عن أجزاء الجهاز المتحركة. قد تتشابك الثياب الضففاضة والخلي والشعر الطويل بالأجزاء المتحركة.

خ) إن جاز تركيب جهاز شفط وجميع القبار. فتأكد من أنها موصولة و بأنه يتم استخدامها بشكل سليم. قد يقلل إستخدام تجهيزات لشفط الأبخرة من المخاطر الناتجة عن الأبخرة.

د) لا تدع أعتيادك على الاستخدام المتكرر للأدوات يسمح لك بتجاهل مبادئ سلامة الأداة؛ قد يتسبب الاستخدام بدون أكرتات في حدوث إصابة بالغة في غضون ثواني؛

٤) حسن معاملة واستخدام العدد الكهربائية

أ) لا تقطر في خميل الجهاز؛ إستخدم لتنفيذ أشغالك العدة الكهربائية المخصصة لذلك. إنك تعمل بشكل أفضل وأكثر أمانا بواسطة العدة الكهربائية الملائمة في مجال الأداء المذكور.

ب) لا تستخدم العدة الكهربائية إن كان مفتاح تشغيلها تالف. العدة الكهربائية التي لم تعد تسمح بتشغيلها أو بإطافئها خطيرة ويجب أن يتم تصليحها.

ت) اسحب القابس من المقبس و/ أو انزع المركم قبل ضبط الجهاز وقبل إستبدال التوابع أو قبل وضع الجهاز جانبا. تمنع إجراءات الاحتياط هذه تشغيل العدة الكهربائية بشكل غير مقصود.

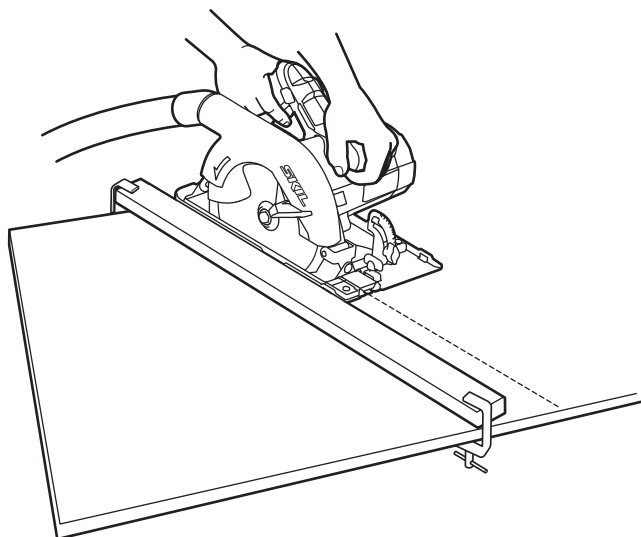
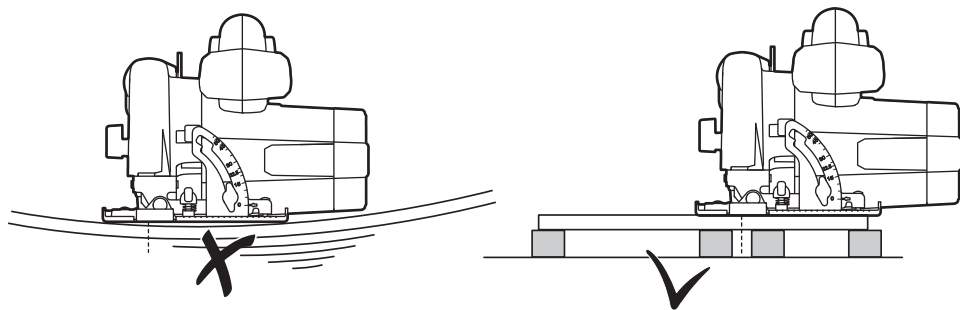
ث) احتفظ بالعدد الكهربائية التي لا يتم إستخدامها بعيدا عن متال الأطفال. لا تسمح باستخدام العدة الكهربائية لمن لاخبرة له بها أو لمن لم يقرأ تلك التعليمات.

ج) اعتن بالعدة الكهربائية بشكل جيد. تحضص عما إذا كانت أجزاء الجهاز المتحركة تعمل بشكل سليم وبأنها غير مستعصبة عن الحركة أو إن كانت هناك أجزاء مكسورة أو تالفة لدرجة تؤثر فيها على حسن أداء العدة

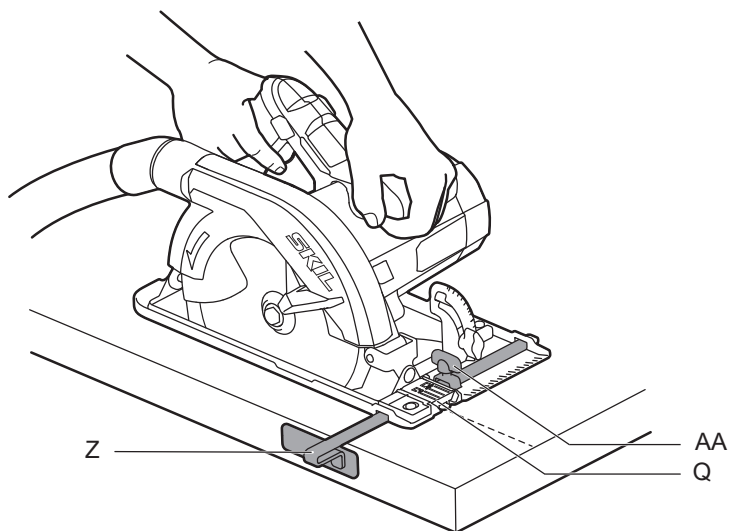
الكهربائية. ينبغي تصليح هذه الأجزاء التالفة قبل إعادة تشغيل الجهاز. الكثير من الحوادث مصدرها العدد الكهربائية التي تم صيانتها بشكل رئي.

ح) حافظ على إبقاء عدد القطع نظيفة وحادة. إن عدد القطع ذات حواف القطع

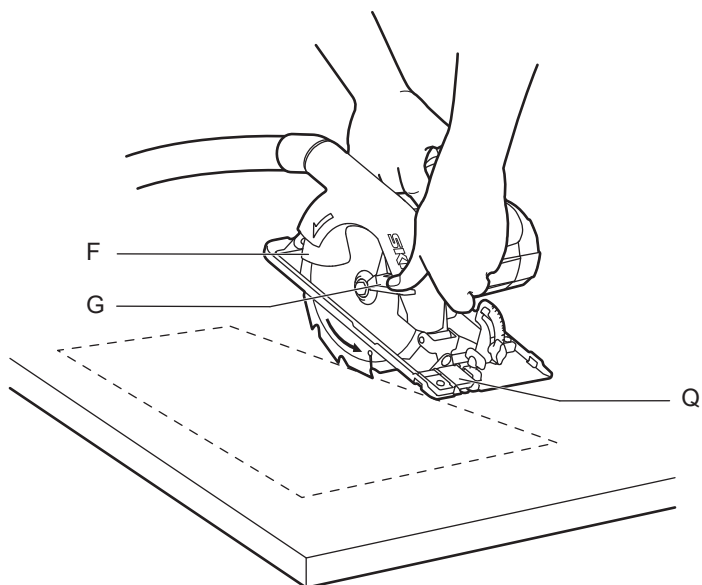
١٢

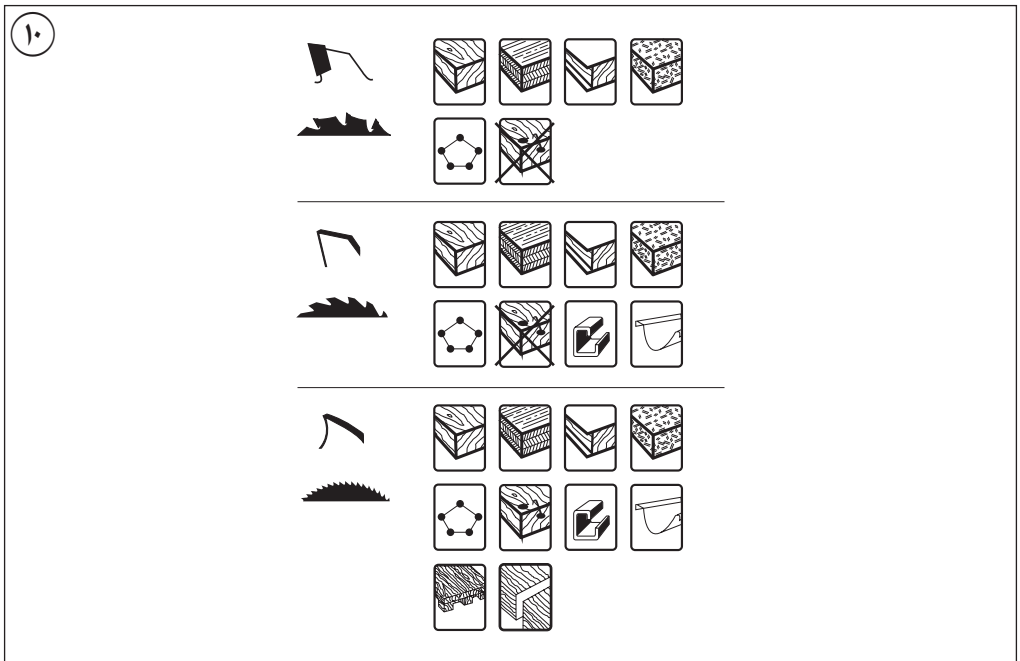
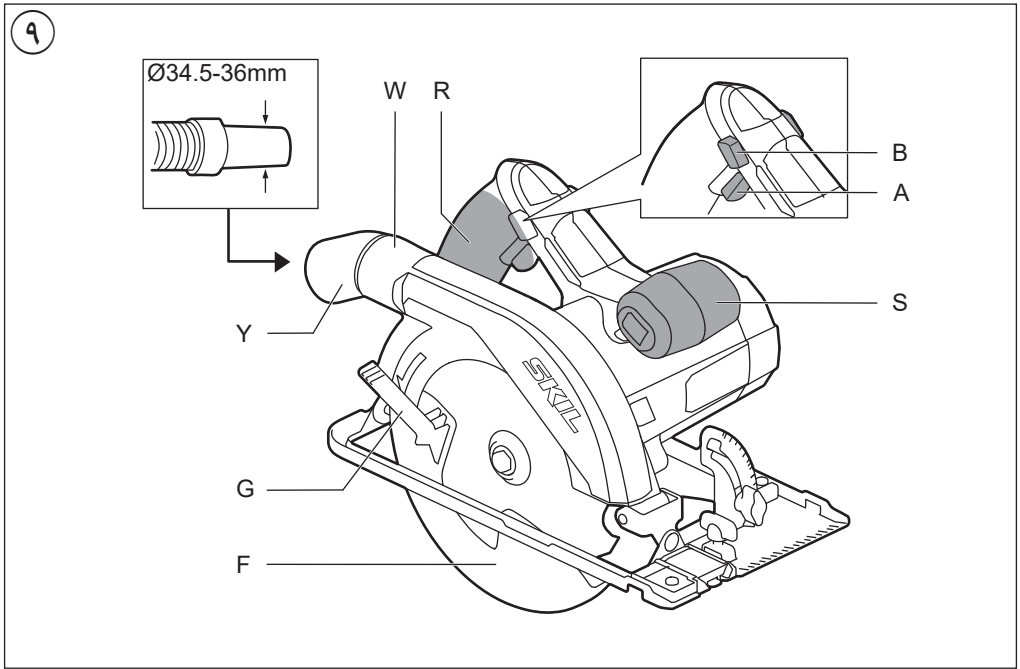


11

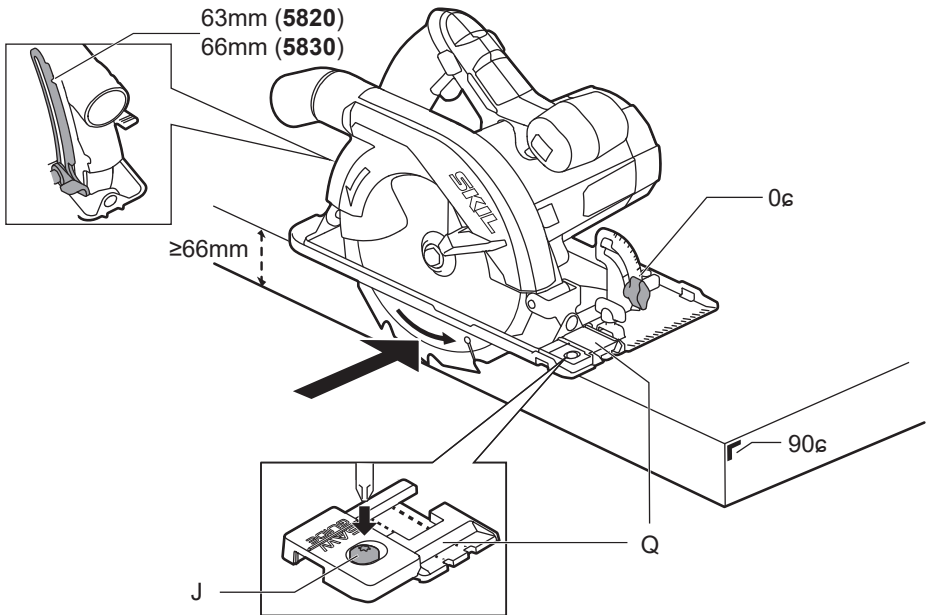
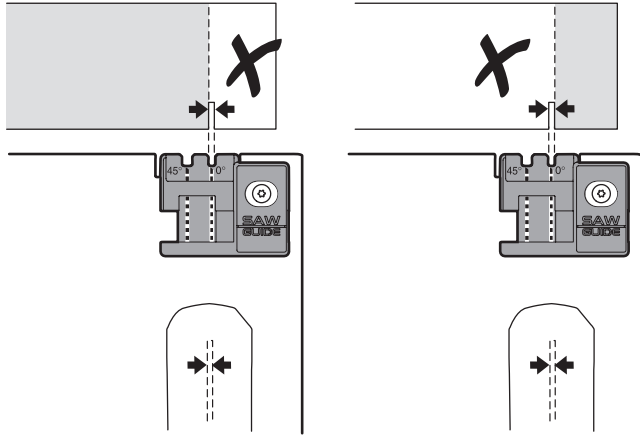


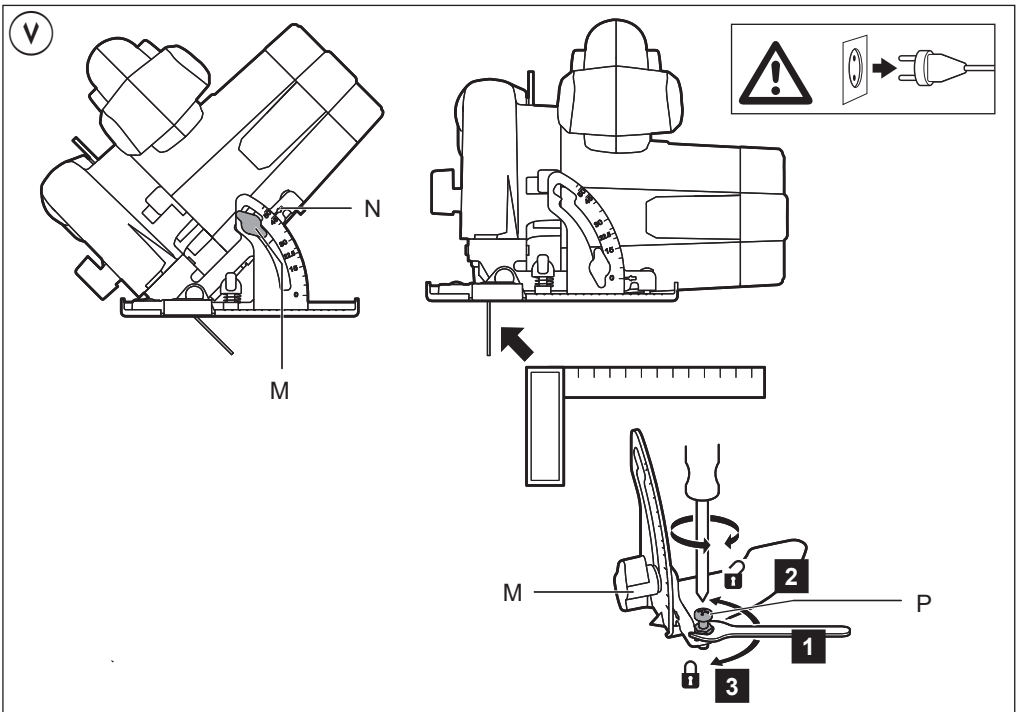
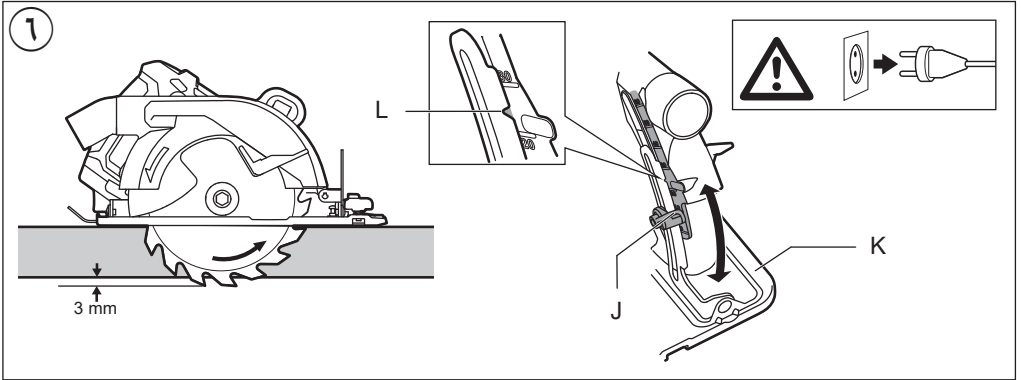
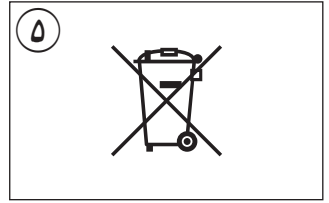
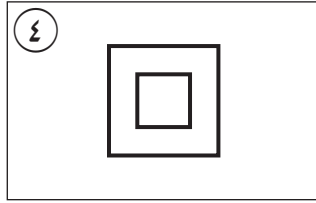
12





⤴





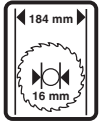
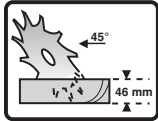
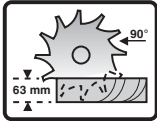
1

# 5820

**1250**  
Watt

  
 $n_0$   
5300  
/min

  
3,8 kg



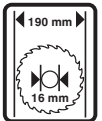
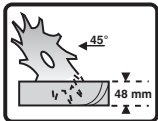
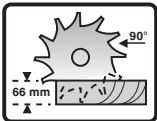
220  
-  
240  
V~  
50-60 Hz

# 5830

**1400**  
Watt

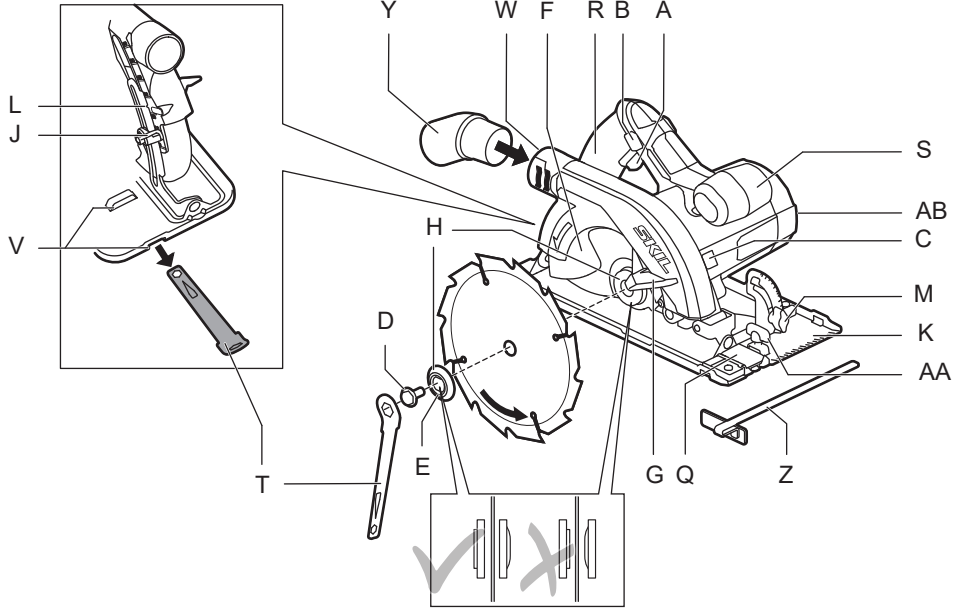
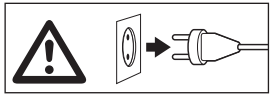
  
 $n_0$   
5300  
/min

  
3,8 kg



220  
-  
240  
V~  
50-60 Hz

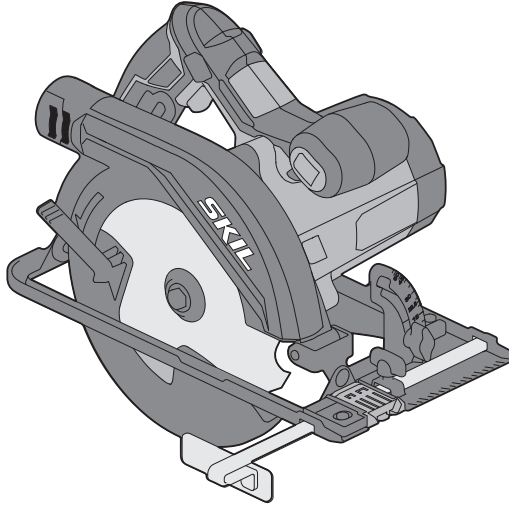
2



منشار دائري

5820  
5830

**SKIL®**



دليل الاستعمال

AR

راهنمای اصلي

FA

