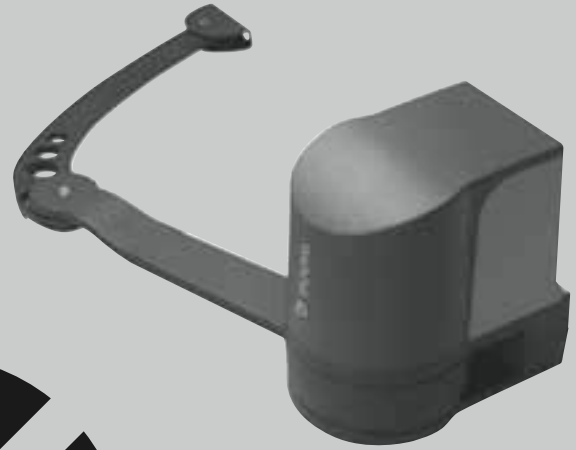




Swing gate opener



XA4

EN Installation and use instructions and warnings

IT Istruzioni ed avvertenze per l'installazione e l'uso

FR Instructions et avertissements pour l'installation et l'utilisation

ES Instrucciones y advertencias para la instalación y el uso

DE Anweisungen und Hinweise für die Installation und die Bedienung

PL Instrukcje instalacji i użytkowania i ostrzeżenia

NL Aanwijzingen en aanbevelingen voor installering en gebruik



Codice: ISTXA432.4865 - Rev. 00 del 08 - 06 - 2007

moovo

GENERAL SAFETY WARNINGS AND PRECAUTIONS

STEP 1

– WORKING IN SAFETY!	4
– Installation warnings	4

KNOWLEDGE OF THE PRODUCT AND PREPARATION FOR INSTALLATION

STEP 2

2.1 - Product description and intended use	5
2.2 - Components used to set up a complete system	5

STEP 3

Preliminary checks for installation	6
3.1 - Checking suitability of the environment and gate to be automated	6
3.2 - Checking product application limits	6

STEP 4

4.1 - Preliminary set-up work	7
- 4.1.1 - Typical reference system	7
- 4.1.2 - Establishing positions of components	7
- 4.1.3 - Establishing the device connection layout	7
- 4.1.4 - Check all tools required for the work	8
- 4.1.5 - Complete set-up work	8
4.2 - Preparing the electrical cables	8

INSTALLATION: COMPONENT ASSEMBLY AND CONNECTIONS

STEP 5

5.1 - Installing the automation components	10
5.2 - Adjustment of the mechanical limit switch on opening	12

STEP 6

– Installation and connections of system devices to the control unit	13
6.1 - Setting the gate leaf opening sequence	14
– Removing the control unit	15
6.2 - Installing and connecting the gearmotor without control unit	16
6.3 - Installing and connecting flashing light mod. MF	17
6.4 - Installing and connecting photocells mod. MP	19
– Selecting operating mode of photocell pair	20
6.5 - Installing and connecting keypad mod. MK	21
6.6 - Installing buffer battery mod. MB	22

POWER SUPPLY CONNECTION

STEP 7	23
---------------	----

INITIAL START-UP AND ELECTRICAL CONNECTION CHECK

STEP 8	23
---------------	----

PROGRAMMING THE AUTOMATION

STEP 9

9.1 - Memorising devices connected by means of “Bus” cable and leaf travel limit positions “0” and “1”	24
9.2 - Memorisation of transmitter mod. MT4	24
9.3 - Programming keypad mod. MK	25

ADJUSTMENTS AND OTHER OPTIONAL FUNCTIONS

10 - Automation operation adjustment	26
11 - Memorisation of a new transmitter with control unit “in the vicinity” procedure.	26
12 - Deleting data from the control unit memory	27

TASKS RESERVED FOR QUALIFIED TECHNICIANS

– Connecting the automation to the electrical mains using a cable other than the version supplied.	28
– Automation testing and commissioning	29
– Product disposal	29

TECHNICAL SPECIFICATIONS OF PRODUCT COMPONENTS	30
---	----

WHAT TO DO IF ... (Troubleshooting guide)	32
--	----

Enclosures: “TECHNICAL DOCUMENTATION”	I-VII
--	-------

STEP 1

WORKING IN SAFETY!

- ⚠ **Please note - These instructions must be followed to guarantee personal safety**
- ⚠ **Please note - Important safety instructions. Keep for future reference.**

The design and manufacture of the devices making up the product and the information in this manual fully comply with current standards governing safety. However, incorrect installation or programming may cause serious physical injury to those working on or using the system. For this reason, during installation, always strictly observe all instructions in this manual.

If in any doubt regarding installation, do not proceed and contact the Moovo Technical Assistance for clarifications.

If this is the first time you are setting up an automation for swing gates or doors, we recommend that you read this entire manual with care. This is preferable before any work, without any hurry to start practical tasks.

Also keep product devices on hand while consulting the manual to enable testing and checking (excluding any programming phases) with the information provided in the manual.

While reading this manual, take care to observe all instructions marked with the following symbol:



These symbols indicate subjects that may be the source of potential hazards and therefore the prescribed operations **must be performed exclusively by qualified and skilled personnel**, in observance of these instructions current safety standards.

INSTALLATION WARNINGS

⚠ According to the most recent legislation, the installation of an automatic door or gate **must be in full observance of the standards envisaged by European Directive 98/37/EC (Machinery Directive)** and in particular standards EN 12445, EN 12453 EN 12635 and EN 13241-1, which enable declaration of presumed conformity of the automation.

In consideration of the above,

The final connection of the automation to the electrical mains, system testing, commissioning and periodic maintenance **must be performed by skilled and qualified personnel**, in observance of the instructions in the section "*Tasks reserved for qualified technicians*". These personnel are also responsible for the tests required according to the risks present, and for ensuring observance of all legal provisions, standards and regulations, and in particular all requirements of the standard EN 12445, which establishes the test methods for checking automations for gates.

However, all preliminary set-up, installation and programming operations may be performed by personnel with standard skills, provided that all instructions and the relative sequences in this manual are strictly observed, with special reference to the warnings in STEP 1.

Before starting installation, perform the following checks and assessments:

- ensure that each device used to set up the automation is suited to the intended system. For this purpose, pay special attention to the data provided in the paragraph "*Technical specifications*". Do not proceed with installation if any one of these devices does not correspond to specifications.
- ensure that the devices in the kit are sufficient to guarantee system safety and functionality.
- an assessment of the associated risks must be made, including a list of the essential safety requirements as envisaged in *Appendix I of the Machinery Directive*, specifying the relative solutions adopted. Note that the risk assessment is one of the documents included in the automation

Technical documentation. This must be compiled by a professional installer.

Considering the risk situations that may arise during installation phases and use of the product, the automation must be installed in observance of the following warnings:

- never make any modifications to part of the automation other than those specified in this manual. Operations of this type will lead to malfunctions. The manufacturer declines all liability for damage caused by makeshift modifications to the product.
- ensure that parts of the automation cannot come into contact with water or other liquids. During installation ensure that no liquids penetrate the gearmotors or other devices present.
- Should this occur, disconnect the power supply immediately and contact a Moovo service centre. Use of the automation in these conditions constitutes a hazard.
- never place automation components near to sources of heat and never expose to naked flames. This may damage system components and cause malfunctions, fire or hazardous situations.
- all operations requiring opening of the protection housings of various automation components must be performed with the control unit disconnected from the power supply. If the disconnect device is not in a visible location, affix a notice stating: "WARNING! MAINTENANCE IN PROGRESS".
- the product may not be considered an efficient system of protection against intrusion. If an efficient protection system is required, the automation must be integrated with other devices.
- Connect the control unit to an electric power line equipped with an earthing system.
- the product may only be used after completing the automation "commissioning" procedure as specified in paragraph "**Automation testing and commissioning**" provided in the section "**Tasks reserved for qualified technicians**".
- The automation component packaging material must be disposed of in full observance of current local legislation governing waste disposal.

STEP 2

2.1 – PRODUCT DESCRIPTION AND INTENDED USE

The series of devices that make up this product serve to automate a 2-leaf gate or door (fig. 1a). It may also be used to automate a single leaf gate or door (fig. 1b).

Any other use than as specified herein or in environmental conditions other than as stated in STEP 3 is to be considered improper and is strictly prohibited!

The main part of the automation comprises two electromechanical gearmotors each equipped with a 12 V dc motor and a straight toothed reduction gear. One of the gearmotors is also fitted with a control unit.

The control unit governs all devices present in the automation and manages all relative functions. It is made of a board and incorporated radio receiver which receives the commands sent by a transmitter. It may also be controlled via a wall-mounted keypad or a pair of photocells set with the single opening command.

The control unit is able to manage different types of manoeuvre, each programmable and usable according to specific needs.

Other special functions are also available to enable personalisation of the automation parameters.

The automation is designed for use of various accessories that enhance functionality and guarantee optimal safety. In particular, the control unit can memorise up to 150 keys of MT4 transmitters; up to 4 MK control keypads or alternatively up to 4 pairs of MP photocells, set for the opening command only.

Connections of the various devices are by means of the "Bus" system. This system reduces complexity of the connections between devices, as it envisages the use of a single cable between one device and another.

The product is mains powered and in the event of a power failure it enables manual release of the gearmotors for manual movement of the gate leaves.

In this situation, the gate can also be opened using the buffer battery (MB model) if fitted on the system.

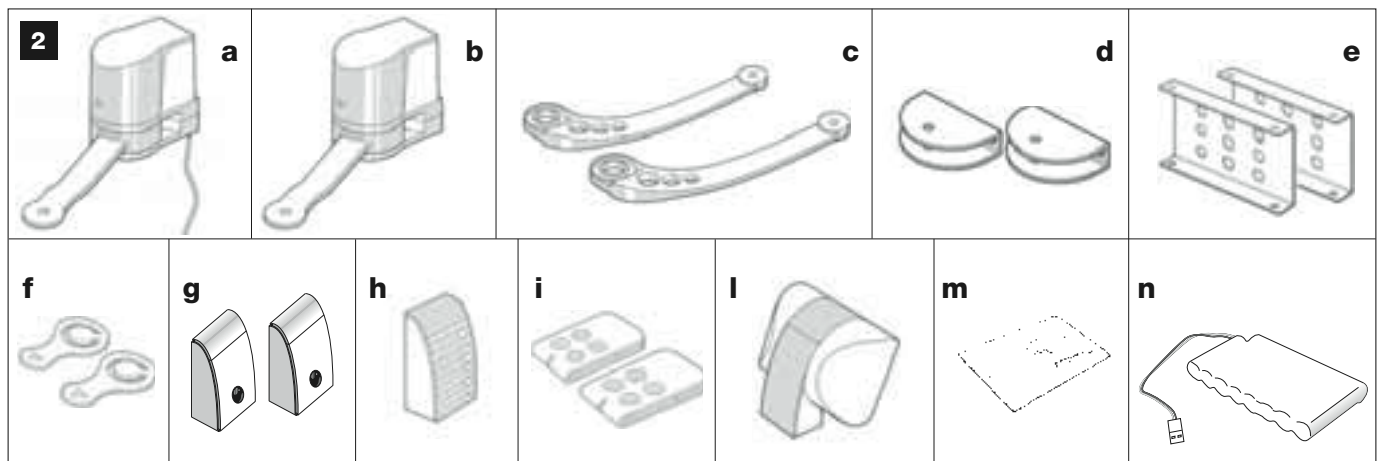
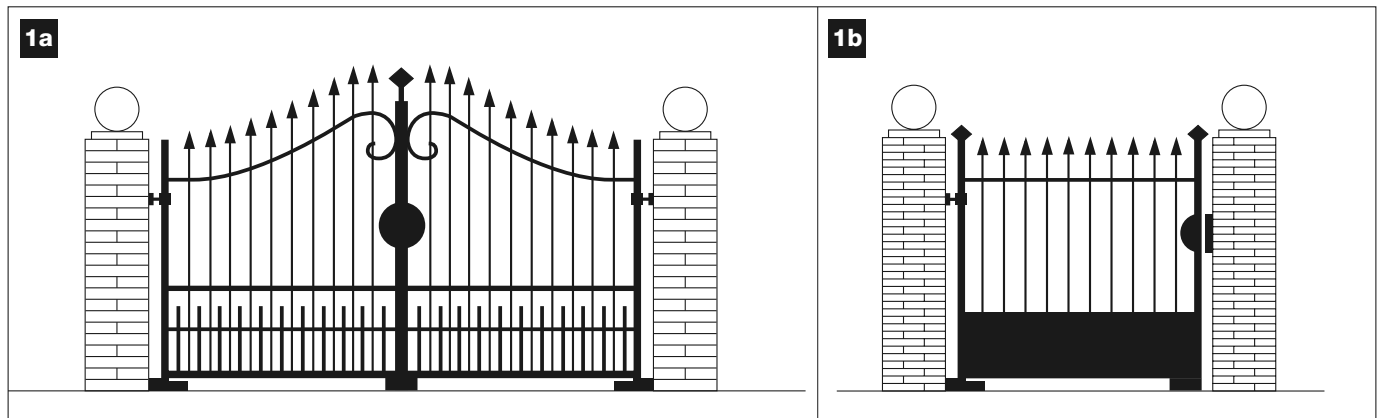
2.2 – COMPONENTS USED TO SET UP A COMPLETE SYSTEM

Fig. 2 illustrates all components used to set up a complete system, such as that shown in fig. 8.

WARNING!
Some components shown in fig. 2 are optional and may not be supplied in the pack.

List of components:

- [a] - Electromechanical operator with control unit
- [b] - Electromechanical gearmotor without control unit
- [c] - Curved arms
- [d] - Front brackets (for fixing gearmotors onto gate)
- [e] - Rear brackets (for fixing gearmotors onto wall)
- [f] - Keys for manual release of gearmotors
- [g] - Pair of photocells model. MP (for wall-mounting)
- [h] - Control keypad model. MK (for wall-mounting)
- [i] - Portable transmitter model. MT4
- [l] - Flashing light model. MF
- [m]- Metal hardware (screws, washers, etc.)
- [n] - buffer battery mod. MB



STEP 3**PRELIMINARY CHECKS FOR INSTALLATION**

Before proceeding with installation, check the condition of the product components, suitability of the selected model and conditions of the intended installation environment.

IMPORTANT –The gearmotors cannot be used to power a gate that is not fully efficient and safe. Neither can it solve defects caused by poor installation or insufficient maintenance of the gate itself.

3.1 – CHECKING SUITABILITY OF THE ENVIRONMENT AND GATE TO BE AUTOMATED

- Ensure that the mechanical structure of the gate complies with current national standards and that it is suitable for automation. (If present, refer to the information specified on the gate dataplate).
- Move the gate leaves manually to *open* and *close*, checking that movement has the same degree of friction throughout all points of travel (no increase in friction must occur).
- Manually move the leaves to any position and leave stationary, ensuring that they do not move from this position.
- In the area for mounting the gearmotor, ensure that there is sufficient space for rotation of the arm (fig. 7).
- Ensure that the space around the gearmotors enables safe and easy manual release of the leaves.
- Ensure that the selected surfaces for installation of the various devices are solid and guarantee a stable fixture.
- Ensure that all devices to be installed are in a sheltered location and protected against the risk of accidental impact.
- Ensure that the selected surfaces for fixing the photocells are flat and enable correct alignment between photocells.

3.2 – CHECKING PRODUCT APPLICATION LIMITS

The gearmotors must be installed by fixing the relative rear support to the wall (or column) of the gate and the arm support bracket on the leaf of the gate.

To ascertain suitability of the product with respect to the specific features of the gate and area to be automated, the following checks should be performed as well as a check for compliance of the technical data in this paragraph and the chapter “Product technical specifications”.

- 1** – Ensure that the dimensions and weight of each leaf are within the following limits of use, with reference to **graph 1**.
- maximum width 1.8 m;
 - maximum height 2 m;
 - maximum weight 250 kg.

2 – Ensure that the minimum and maximum temperature of the installation environment is within the temperature limits set for operation of this product. Refer to the technical data in the chapter “Product technical specifications”.

3 – Considering the source from which the power line is supplied (if already fitted) used to power the system, select which gate leaf is to be used to mount the gearmotor with control unit.

4 – On each leaf and the adjacent wall (or column) ensure that there is sufficient space to fit the gearmotor, with reference to the values shown in **figs. 3-4-5-6-7** and the following notes:

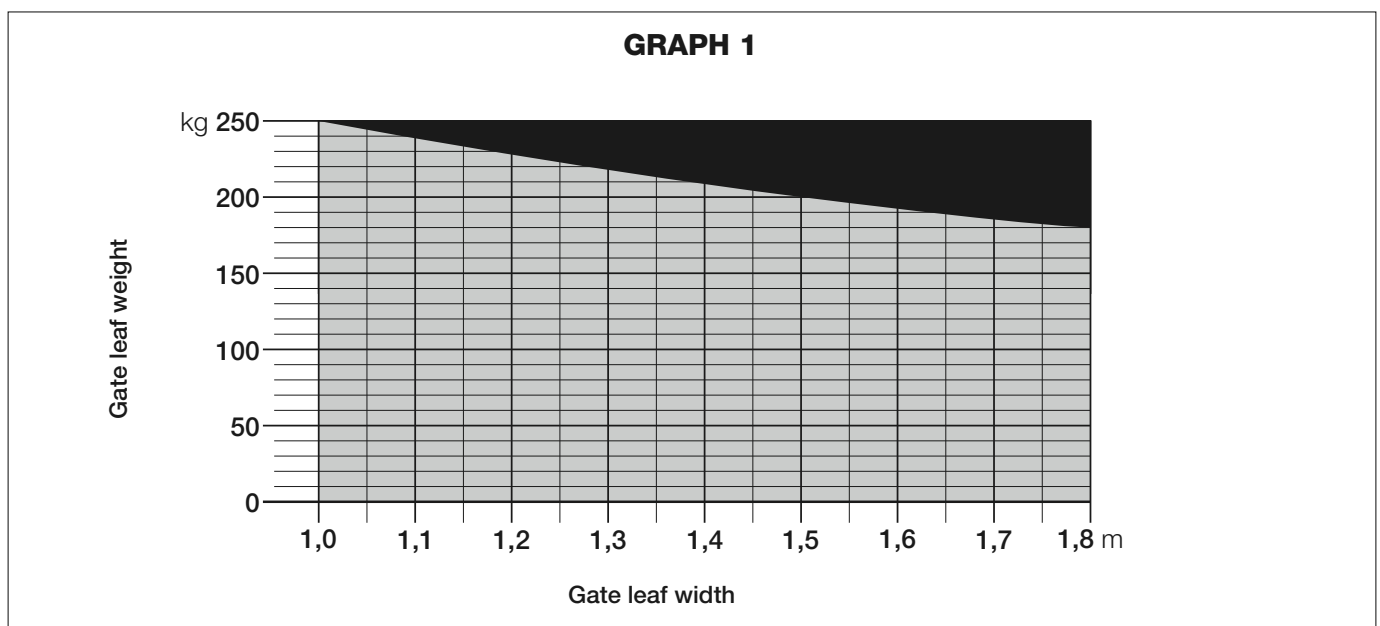
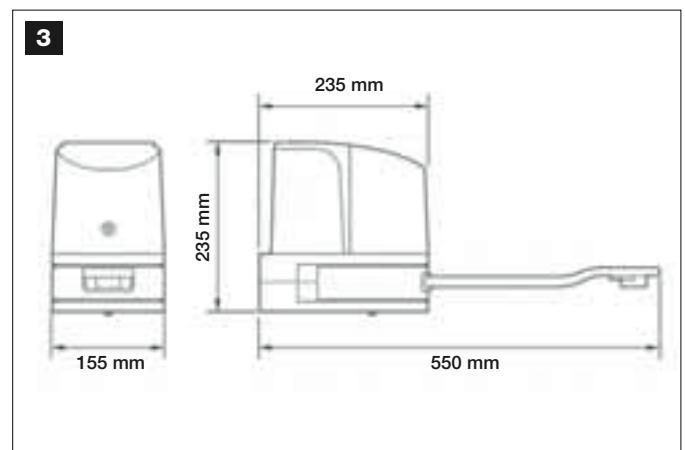
a) **Fig. 3:** indicates the overall dimensions of the gearmotor.

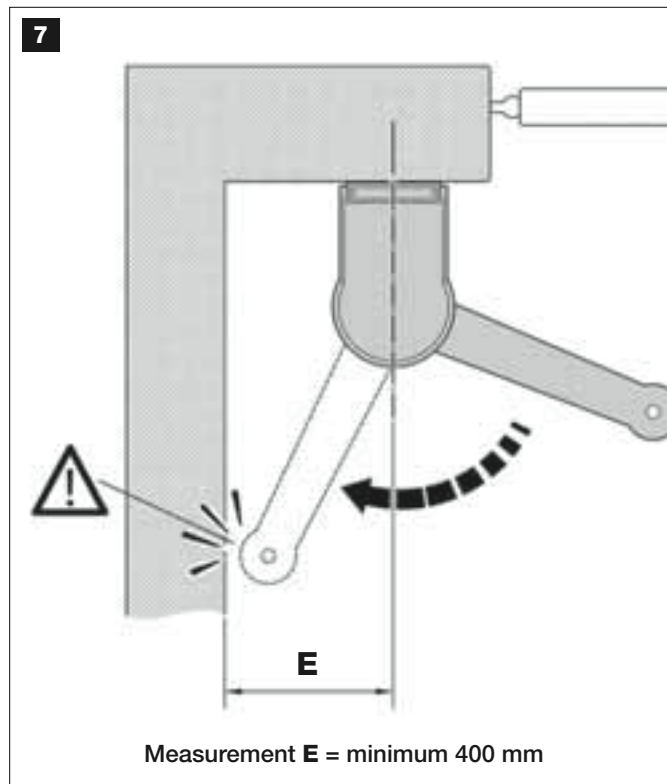
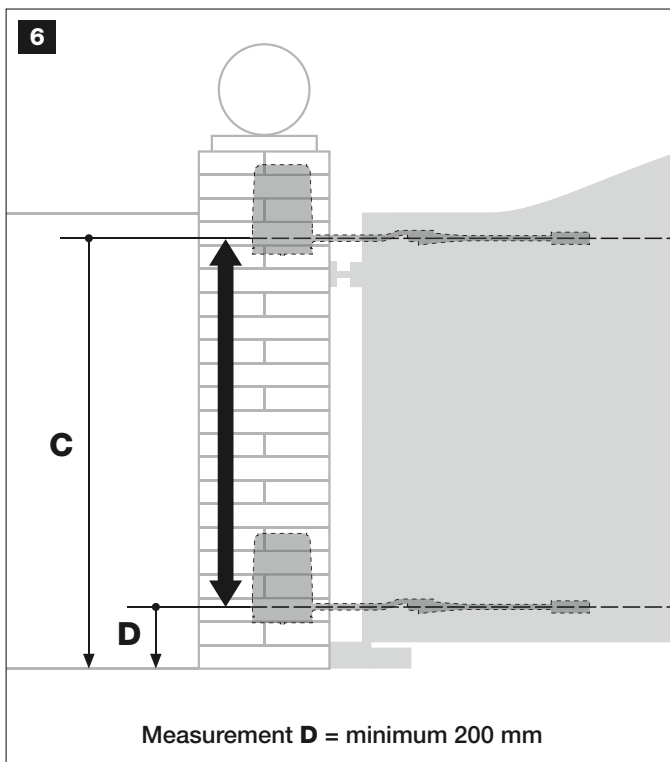
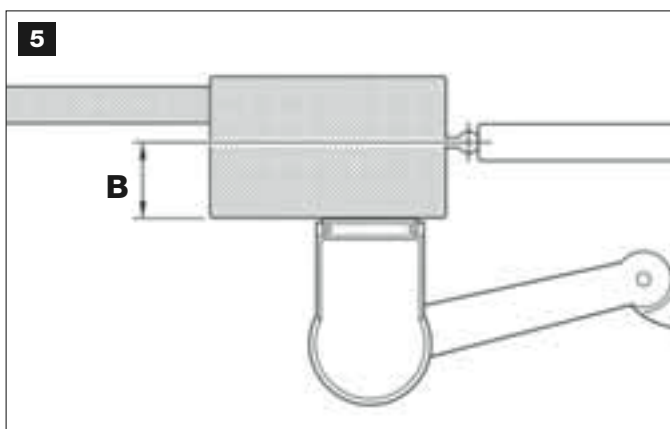
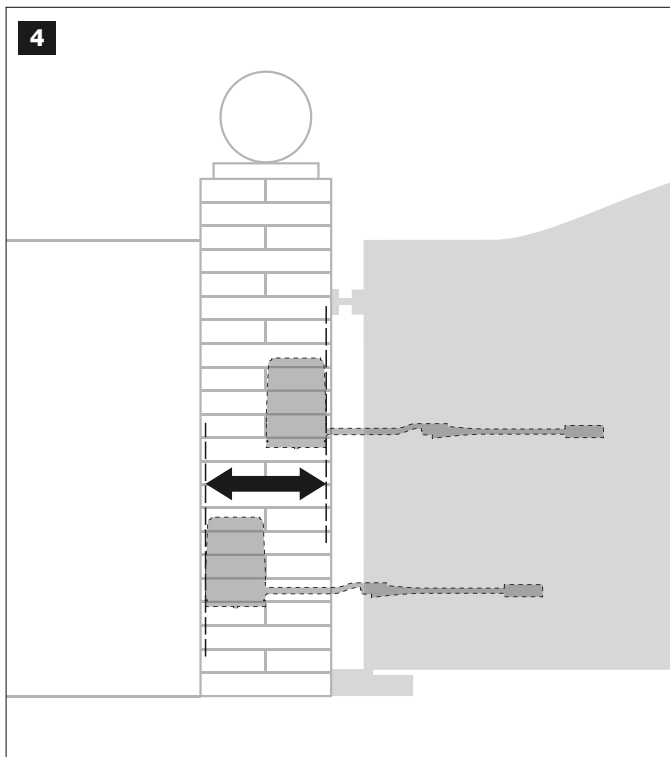
b) **Fig. 4:** indicates the horizontal space within which the rear gearmotor support is to be fitted. The exact point at which to position this support must be calculated with reference to point O2 of STEP 5.

c) **Fig. 5:** Indicates the maximum measurement “B” required between the point of leaf rotation and the surface of the wall on which the rear gearmotor support is fixed.

d) **Fig. 6:** indicates the vertical space within which the gearmotor is to be fitted. Measurement “D” specifies the minimum distance from the ground (the recommended minimum ground clearance is 200 mm). Measurement “C” (maximum distance from ground) depends on the height of the gate leaf.

e) **Fig. 7:** Indicates the minimum measurement “E” (400 mm) required between the gearmotor arm and a possible obstacle present when the leaf is totally open (wall, edge of a flowerbed etc.). **Note** – This measurement must be taken starting from the centreline of the gearmotor.





STEP 4

4.1 – PRELIMINARY SET-UP WORK

4.1.1 – Typical reference system

Fig. 8 is an example of an automation system set up using the various components of Moovo. These parts are positioned according to a typical standard layout. The following components are used:

- a** - Electromechanical gearmotor with control unit
- b** - Electromechanical gearmotor without control unit
- c** - Rear supports (wall-mounted)
- d** - Front brackets (on leaf)
- e** - Pair of photocells (wall-mounted)
- f** - Flashing light
- g** - Control keypad (wall-mounted)
- h** - pair of posts for photocells
- i** - Mechanical stops on *Opening* (*Note* – Alternatively, leaf movement may terminate against a natural stop, i.e. wall, edge of a flowerbed etc. – or use a mechanical limit switch present on the gearmotor)
- l** - Mechanical stop on *Closing*

4.1.2 – Establishing positions of components

With reference to fig. 8, locate the approximate position for installation of each component envisaged in the system.

4.1.3 – Establishing the device connection layout

The product envisages a “Bus” type connection between all system devices, using a single cable with two electrical wires. In this type of connection, data communication between devices is via cable, using the specific protocol named “Bus-Moovo”. **Caution!** – *only devices compatible with this protocol may be installed in the system.*

On a “Bus” network, devices can be connected using various connection layouts, and in each one, each device becomes a node of this network. The possible connection layouts are the following:

- “**star**”: In this configuration, each device is autonomous as it is connected directly to the two Bus terminals on the control unit.
- “**chain**”: In this configuration one device is connected to another and

the latter to another and so on, like links of a chain. Therefore only the first device in the chain is connected to the two Bus terminals on the control unit.

– “mixed”: This configuration comprises a combination of the two configurations described above.

To select the most suitable connection configuration for the connection of all system devices, refer to the example shown in **fig. 9 / fig. 26**. In general, it is recommended to connect the flashing light as the first device connected to the control unit.

4.1.4 – Check all tools required for the work

Before starting installation, ensure that there is all equipment and materials required for the work concerned (see example in **fig. 10**); also ensure that all items are in good condition and comply with local safety standards.

4.1.5 – Complete set-up work

Lastly, dig the routes for the ducting used for electrical cables, or alternatively external ducting can be laid, after which the pipelines can be embedded in concrete and other preparation work for the installation can be completed to finalise the site ready for subsequent installation operations.

WARNINGS

- Position the gearmotor with control unit in the vicinity of the point of electrical mains connection, if already present.
- Position the ends of the ducting used for electrical cables in the vicinity of the points envisaged for fixture of the various components.

Note:

- The ducting serves to protect electrical cables and prevent accidental damage in the event of impact.
- The “fixed” control devices must be visible from the gate but positioned far from moving parts.

4.2 – PREPARING THE ELECTRICAL CABLES

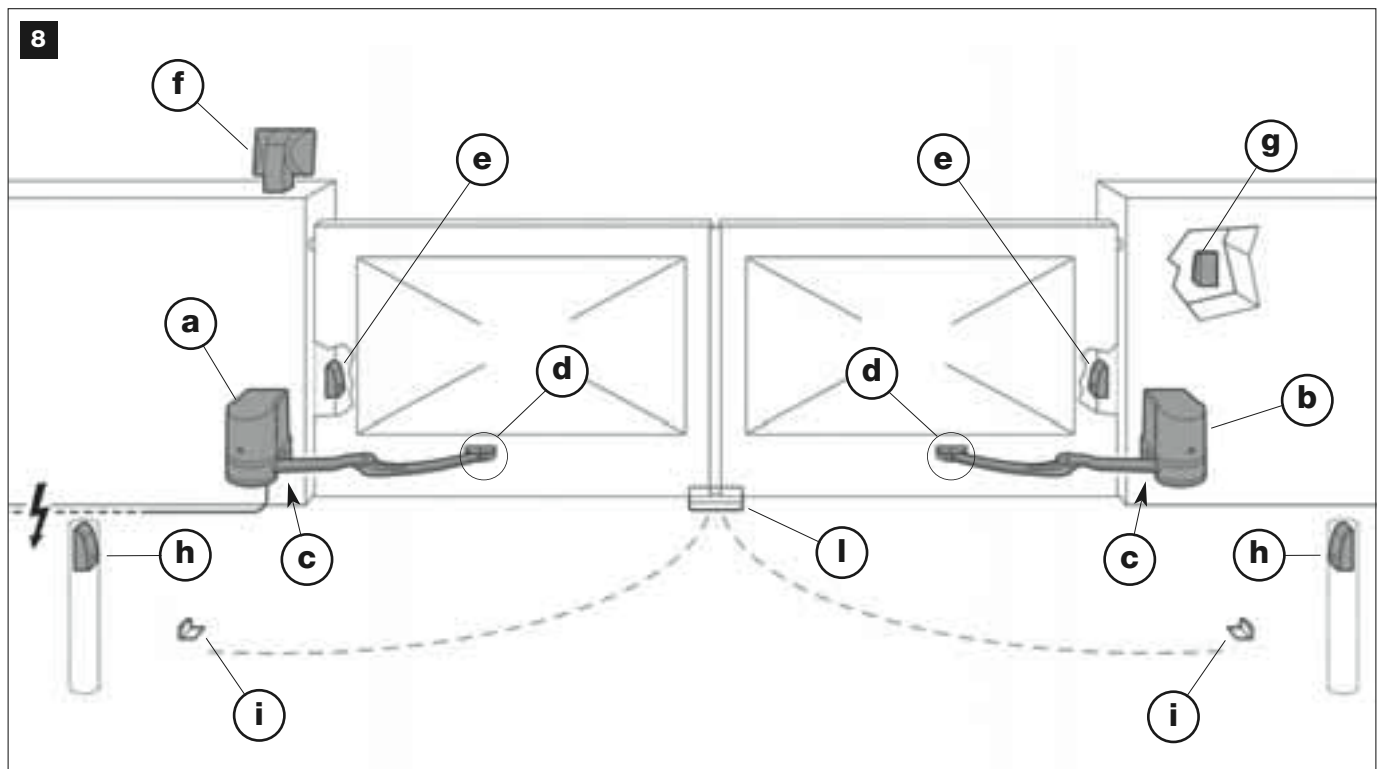
When preparing the electrical cables required for your system, please refer to **fig. 9** and “**Table 1 – Technical characteristics of the electric cables**”. In addition to this, you should always remember the following:

– In the “star” configuration, **NONE** of the individual cables linking up any of the devices to the Control Unit **may exceed 20 m in length**.

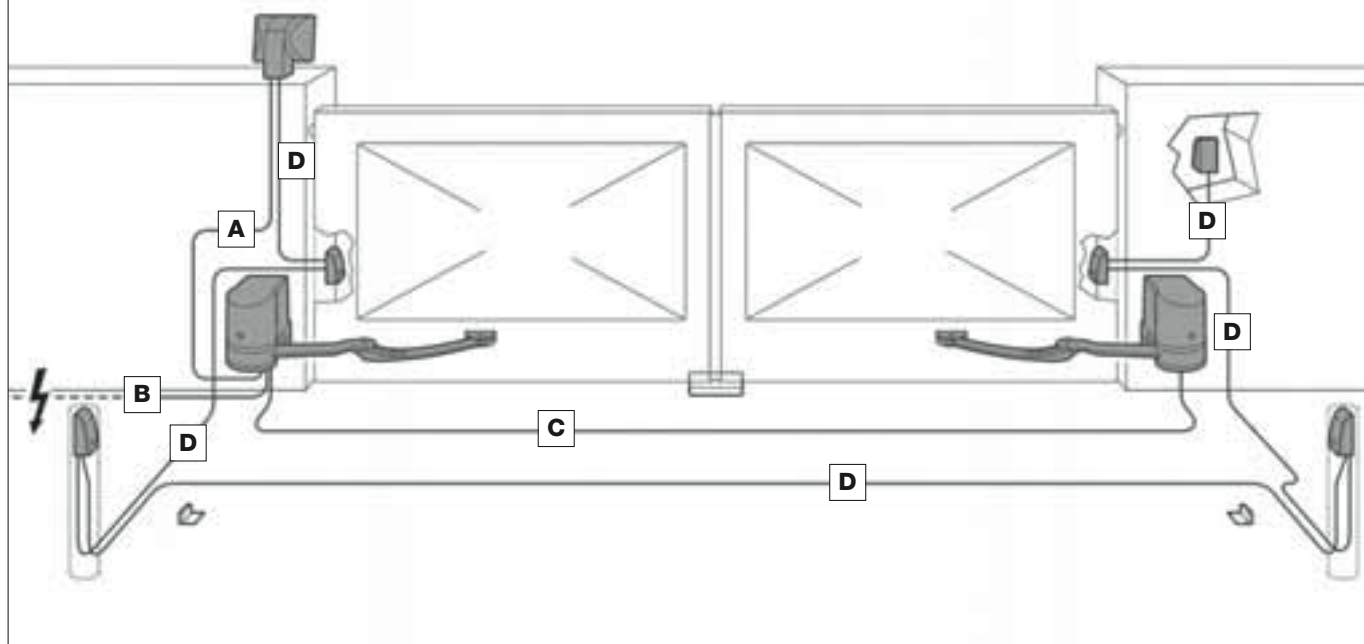
– In the “chain” configuration”, the sum of the lengths of each cable used to connect one device to the other and, last of all, to the Control Unit **MUST NOT exceed 20 m**.

– If connecting other devices between the Control Unit and the flashing lamp, use the same cable for these devices as was used for the flashing lamp.

– All operations to lay the electric cables and connect them to the various devices must be carried out during installation of the components.



9



10



TABLE 1 – Technical specifications of electric cables (note 1)

Connection	Cable type	Maximum admissible length
A - FLASHING LIGHT cable	Cable 2 x 1.0 mm ²	10 m (read paragraph 4.2)
B - POWER SUPPLY cable	Cable 3 x 1.5 mm ² (note 2)	30 m
C - MOTOR cable	Cable 3 x 1.5 mm ²	10 m
D - BUS cable	Cable 2 x 0.5 mm ²	20 m (read paragraph 4.2)

Note 1 – The cables required for the set-up of the system (not included in the pack) may vary according to the quantity and type of devices envisaged for the installation.

Note 2 – If the power cable supplied is not long enough, replace with a cable of this type. This task must be performed by skilled and qualified personnel: Refer to the section “**Tasks reserved for qualified technicians**”.

CAUTION! - The cables used must be suited to the installation environment; for example a cable type H07RN -F for outdoor environments is recommended.

STEP 5

5.1 – INSTALLING THE AUTOMATION COMPONENTS

WARNINGS

- **Incorrect installation may cause serious physical injury to those working on or using the system.**
- **Before starting automation assembly, make the preliminary checks as described in STEP 3.**

IMPORTANT! – The following assembly phases (STEP 5) illustrate the “physical” installation of a single gearmotor. If the gate to be automated is a two-leaf model, repeat the same operations to install the second gearmotor. In particular, to install the gearmotor with control unit, refer to STEP 6 to establish on which gate leaf it is to be installed.

Wall-mounting of the rear gearmotor bracket

To fix the rear bracket to the wall or column of the gate, its position both vertically and horizontally must be established as follows:

– **Vertically positioned (fig. 5):** follow the general instructions in STEP 3 and in fig. 5; then, after locating the position, use a pencil to trace a horizontal line on the wall (or column).

– **Horizontally positioned (fig. 4):** to position the gearmotor horizontally, use Graph 2 and proceed as follows:

01. Establish the maximum leaf opening angle:

move the gate leaf to the maximum opening position required (take care to observe the warning in 4-d in STEP 3.2) and measure the degrees of the leaf opening angle using the goniometer figure shown on the last page of this manual.. Then locate and highlight the corresponding angle area in grey on Graph 2.

02. Establish position B and position A:

With reference to fig. 11 measure value B in your specific context. This value is the distance between the gate leaf rotation fulcrum and the surface for mounting the rear bracket. Then on the graph, highlight value B and from this point trace a horizontal line until it intercepts the angle area located in the above point. In this area, the traced line establishes two points; from these two points, trace a vertical line upwards until the right angle of value A is intercepted. The area formed by these lines indicates value A, i.e. the possible measurements usable for fixing the rear bracket.

03. At this point, mark the value found on the wall (or column) and then trace a vertical line passing through this point. Then, with reference to

the lines marked out on the wall, position the rear bracket on the surface in the required position and use a pencil to mark the drilling holes.

04. Drill the holes in the wall, insert the plugs (minimum 8 mm; not supplied) and fix the support using suitable screws and washers (fig. 12). **Important** – Ensure that the bracket is perfectly level; an offset gearmotor can cause automation malfunctions (fig. 13 and 14).

Note – The screws required for fixing the bracket on the wall are not included in the pack, as their type depends on the material and thickness of the wall in which they are inserted.

05. Using a 13 mm wrench remove the mechanical limit switch on the lower side of the gearmotor (fig. 15): loosen and remove the lock nut of the mechanical limit switch screw.

06. Insert the rear section of the gearmotor in the relative space on the fixing bracket, taking care to align the holes on the motor with those on the bracket (fig. 16).

07. Hold the gearmotor with one hand and use the other to insert the two screws supplied in the holes. **Note** – If the screws are difficult to insert, use a mallet and tube screwdriver to insert them completely (see fig. 17). Then secure the screws with the relative nuts; to do this use a hex wrench to hold the screw head in place and a tube screwdriver (10 mm), with maximum external dimensions of 14.5 mm, to tighten the nut.

08. At this point secure the curved arm to the gearmotor. **IMPORTANT!** – The arm must be positioned with the curve facing the gate leaf. Then insert the gearmotor “extension” head in the hole of the curved arm and secure the assembly with the screw, washer and nut supplied (fig. 18).

09. To secure the gate leaf connecting bracket, proceed as follows:

a) Insert the bracket in the end of the curved arm, aligning the respective holes and insert the pin supplied (without the stop benzing - fig. 19).

b) Use the special key to release the gearmotor (refer to the chapter “Manually locking and releasing the gearmotor” in the “Operation Manual”).

c) Move the gate leaf to the maximum Closing position required and position the arm at its maximum extension (fig. 20). Then move the arm towards the leaf completely up against the fixing bracket.

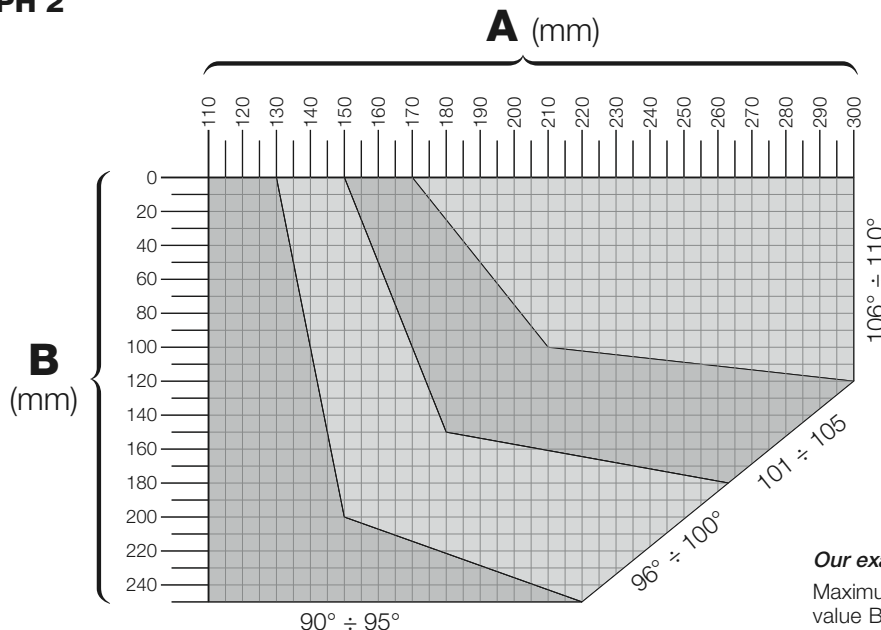
d) At this point, use a pencil to trace the drilling holes and then drill the leaf as required.

Note – The screws required for fixing the bracket on the gate leaf are not included in the pack, as their type depends on the material and thickness of the gate in which they are inserted.

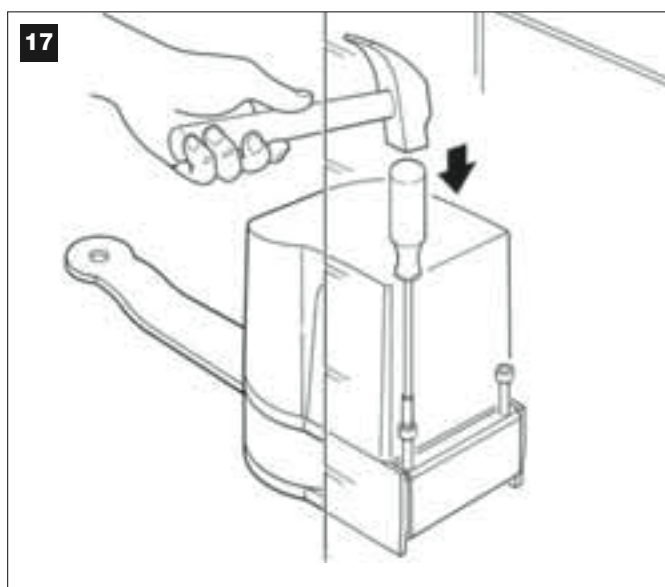
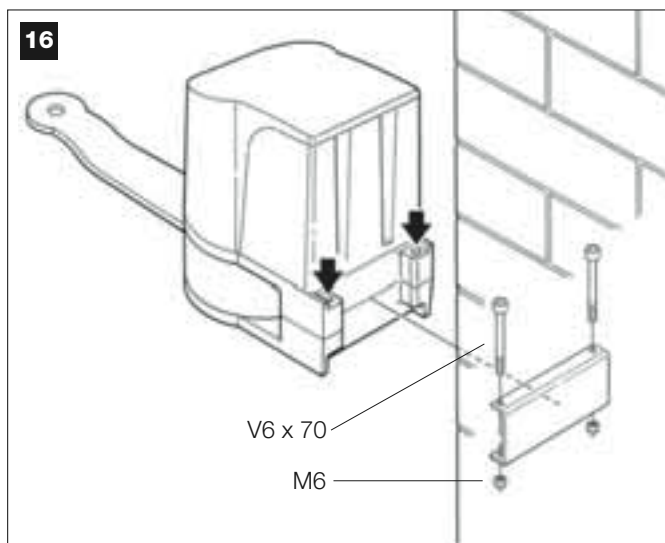
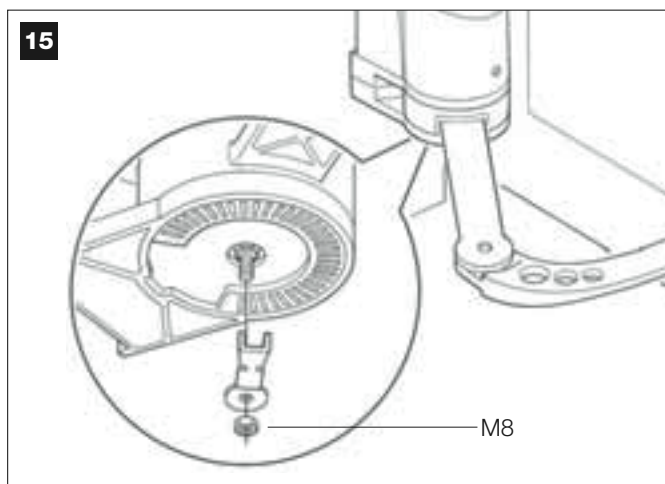
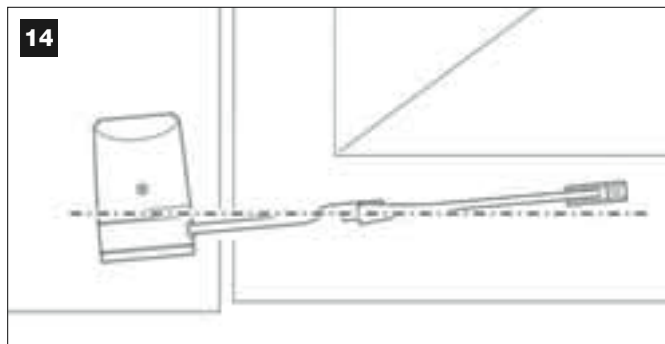
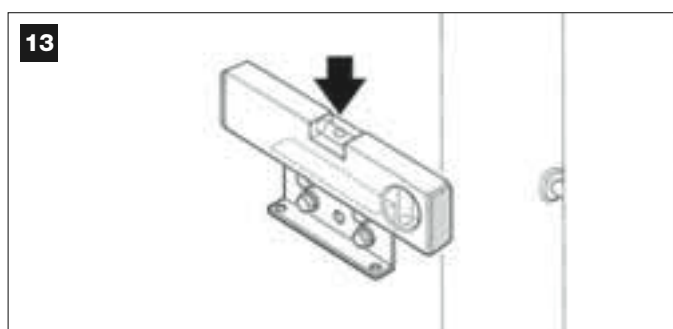
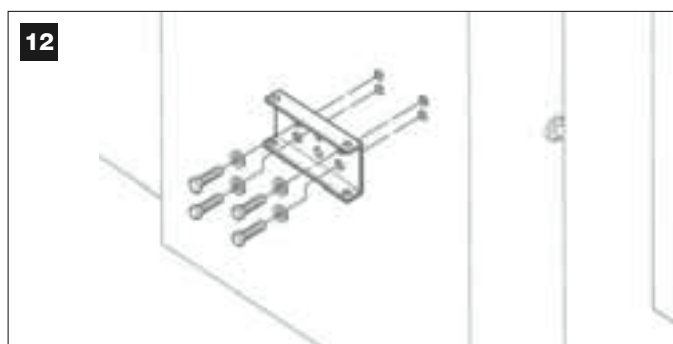
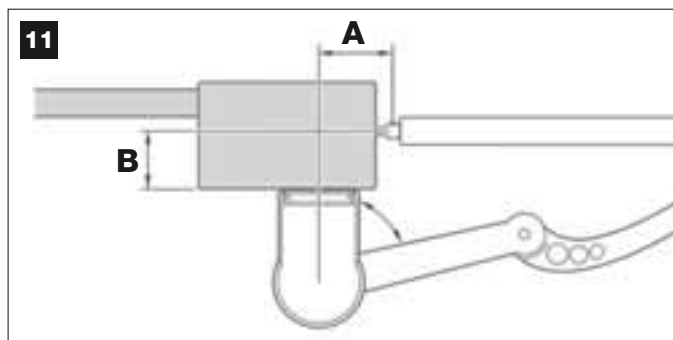
10. Detach the bracket from the gearmotor arm and secure to the gate leaf. **Important** – Ensure that the bracket is perfectly level.

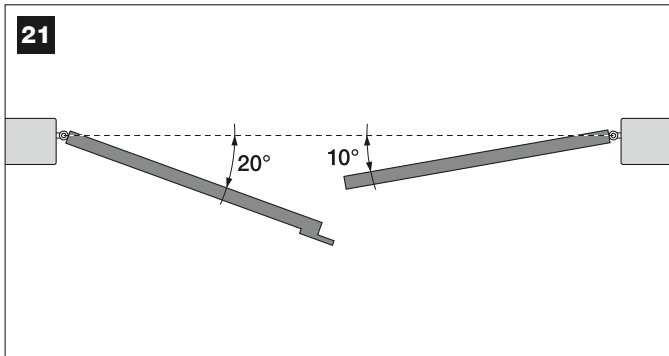
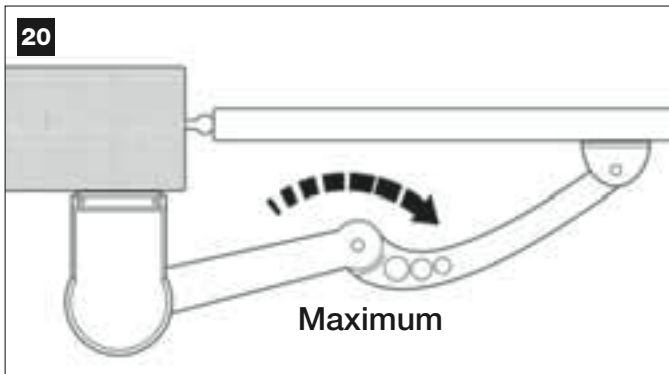
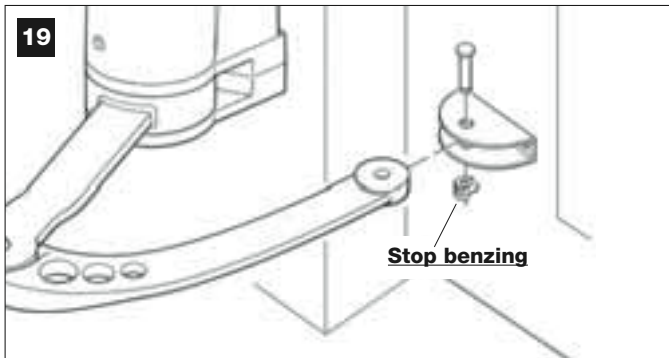
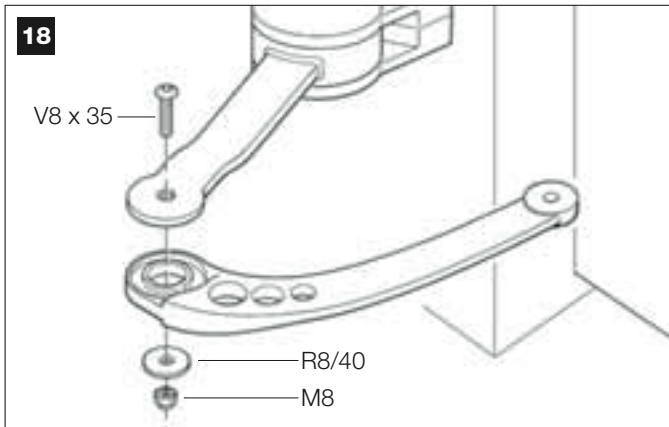
11. Secure the gearmotor arm to the bracket, inserting the pin and stop benzing supplied.

GRAPH 2



- 12. CAUTION!** – If the installation site is not equipped with mechanical stops on the ground refer to STEP 5.2.
- 13.** With the gearmotor still released, manually move the two gate leaves to the position shown in **fig. 21** and use the special key to lock the gearmotor (refer to the chapter “**Manually locking and releasing the gearmotor**” in the section “**TECHNICAL DOCUMENTATION**”). Then move the gate leaf slightly by a few centimetres in the direction of maximum *Opening* until a click can be heard.
- 14.** If the gate to be automated is a two-leaf model, repeat the same operations as described in this STEP 5 to install the second gearmotor.





5.2 – ADJUSTMENT OF THE MECHANICAL LIMIT SWITCH ON *OPENING*

If the installation site is not equipped with mechanical stops on the ground used to stop the gate at the end of the *Opening* manoeuvre, adjust the mechanical limit switch on the lower side of each gearmotor as follows:

- 01.** With the gearmotor released, manually move the leaf to the *Opening* position.
- 02.** Locate the centreline (axis) of the gearmotor arm and mark it with a piece of adhesive tape placed on the fixed section of the gearmotor, above the arm (**fig. 22**).
- 03.** Then close the gate leaf.

04. To facilitate fixture of the mechanical limit switch, add a piece of adhesive tape through to the base of the gearmotor, as shown in **fig. 23**.

05. Position the mechanical limit switch as follows: If working on the gearmotor that operates the left leaf, the mechanical limit switch must be fixed on the left of the adhesive tape, adjacent to it; vice versa if working on the right leaf gearmotor, this should be fixed to the right of the adhesive tape, adjacent to it (**fig. 24**). Then secure by means of the locknut (**fig. 25**).

06. At this point manually move the gate leaf and check that it stops exactly in the required maximum *Opening* position. If this does not occur, move the mechanical limit switch by one or two “teeth” and check the maximum *Opening* position again.

07. Lastly, with the gearmotor still released, manually move the gate leaf to approximately mid-travel and block the gearmotor by means of the special key (refer to the chapter “Manually locking and releasing the gearmotor” in the “Operation Manual”). Then move the gate leaf slightly by a few centimetres in the direction of maximum *Opening* until a click can be heard.



STEP 6**INSTALLATION AND CONNECTIONS OF SYSTEM DEVICES**

Install and connect the system devices with reference to the STEPS below and the example in **fig. 26**.

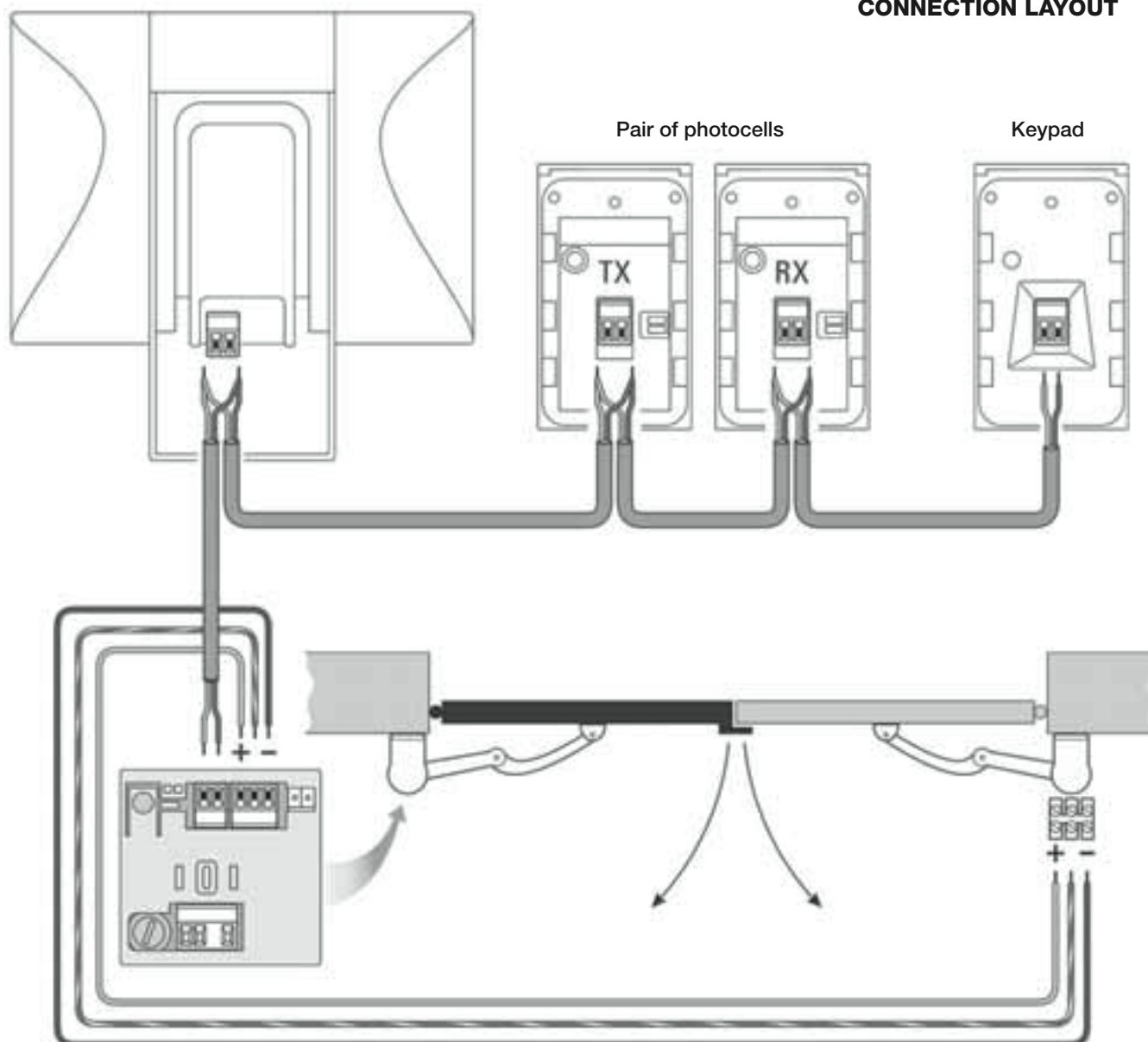
CAUTION! – Strictly observe the electrical connections specified in this paragraph, as incorrect connections could lead to serious faults or hazards.

To access the control unit, remove the cover from the gearmotor with control unit as follows (see figure alongside).

- a) Loosen the screw on the top of the cover using a Phillips screwdriver.
- b) Place two fingers on the two cavities on the rear of the gearmotor and lift the cover by pulling upwards, using the base as leverage.

**26**

Flashing light

“BUS SYSTEM” DEVICE CONNECTION LAYOUT

6.1 – SETTING THE GATE LEAF OPENING SEQUENCE

To set the correct order of gate leaf opening on the **Control unit**, select the ideal configuration from those below and proceed as described. To carry out the specified tasks, it may help to remove the control unit from its seat, as described in the section “**Removing the control unit from the gearmotor**”.

Case A: No modifications required.



Case B: (on control unit) proceed as follows:

- locate electric jumper “Sel” and move it from its original position shown in fig. 27 to the new position shown in fig. 28
- invert the position of the wires on the terminal board marked “Motor 2” (fig. 29).
- invert the position of the wires on the terminal board marked “Motor 1” (fig. 30).



Case C:

- (on control unit), locate electric jumper “Sel” and move it from its original position shown in fig. 27 to the new position shown in fig. 28

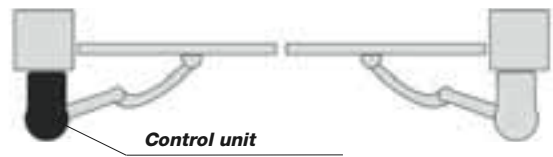


Case D: (on control unit) proceed as follows:

- invert the position of the wires on the terminal board marked “Motor 2” (fig. 29).
- invert the position of the wires on the terminal board marked “Motor 1” (fig. 30).



Case E: No modifications required.



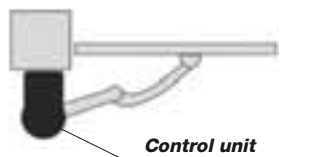
Case F: (on control unit) proceed as follows:

- invert the position of the wires on the terminal board marked “Motor 2” (fig. 29).
- invert the position of the wires on the terminal board marked “Motor 1” (fig. 30).



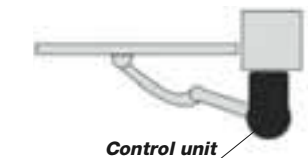
Case G: For automation of a gate or door with a single leaf, where the gearmotor with control unit is positioned on the **left**, proceed as follows:

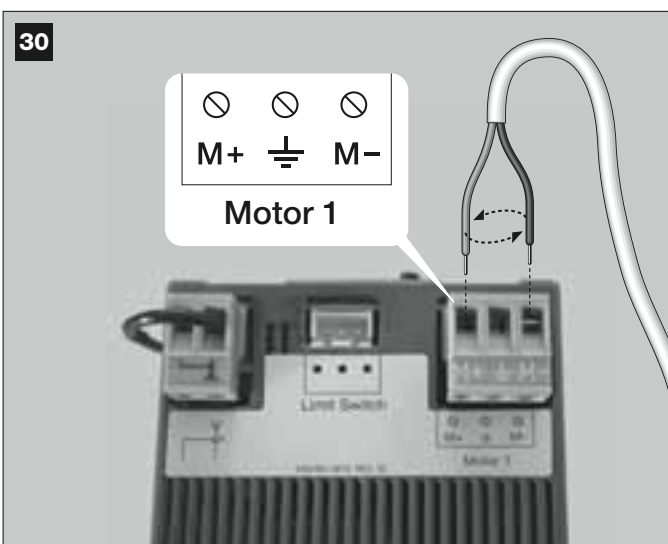
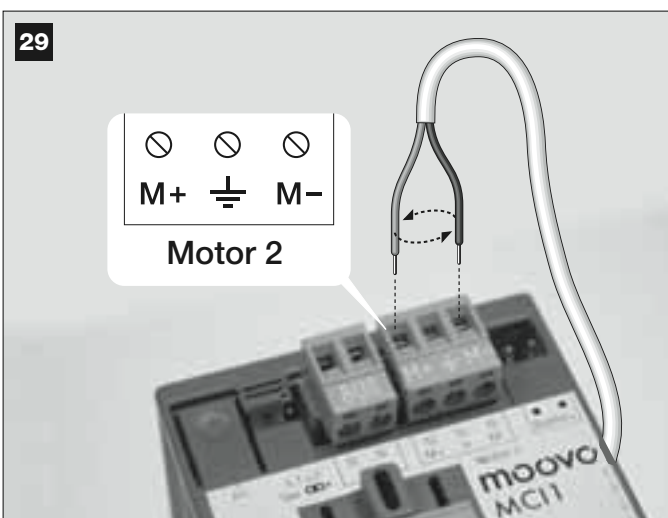
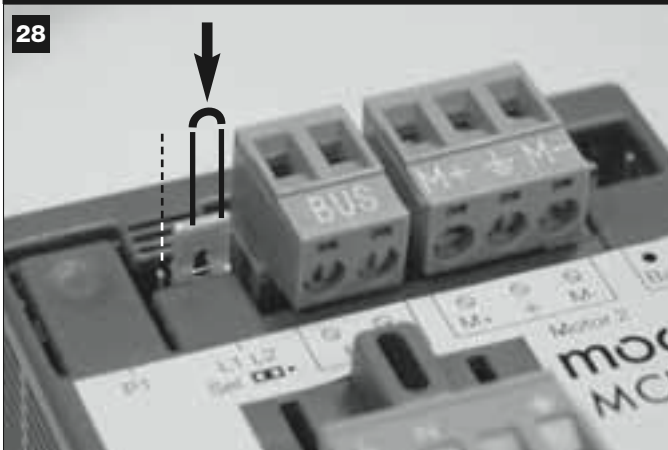
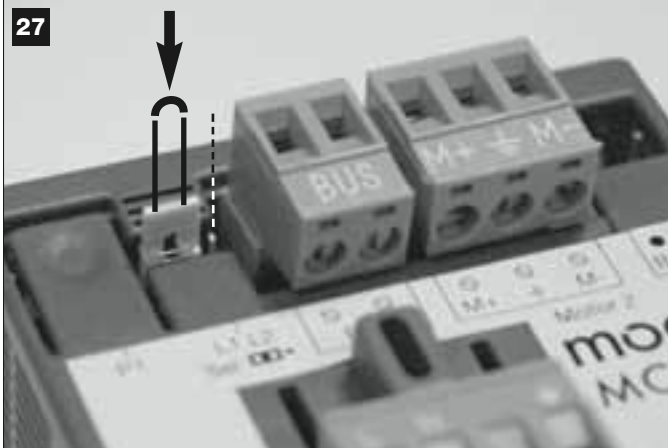
- (on control unit), locate electric jumper “Sel” and move it from its original position shown in fig. 27 to the new position shown in fig. 28



Case H: For automation of a gate or door with a single leaf, where the gearmotor with control unit is positioned on the **right**, proceed as follows:

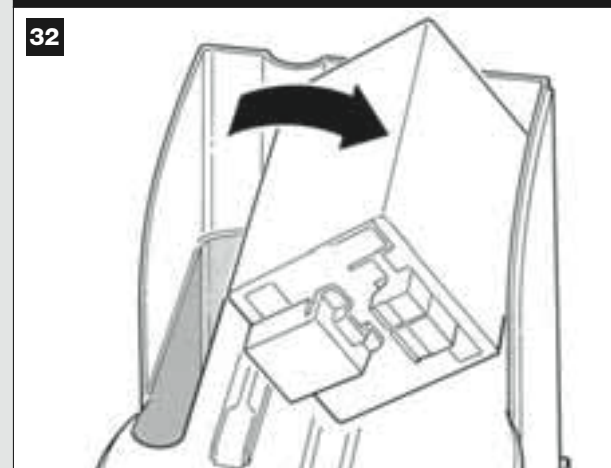
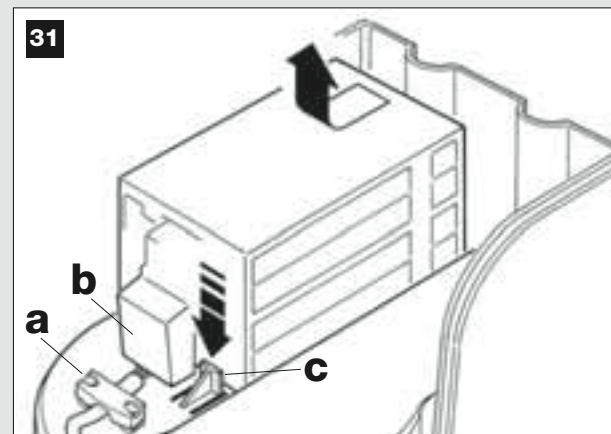
- (on the control unit), locate electric jumper “Sel” and move it from its original position shown in fig. 27 to the new position shown in fig. 28
- (on the control unit) invert the position of the wires on the terminal board marked “Motor 1” (fig. 30).



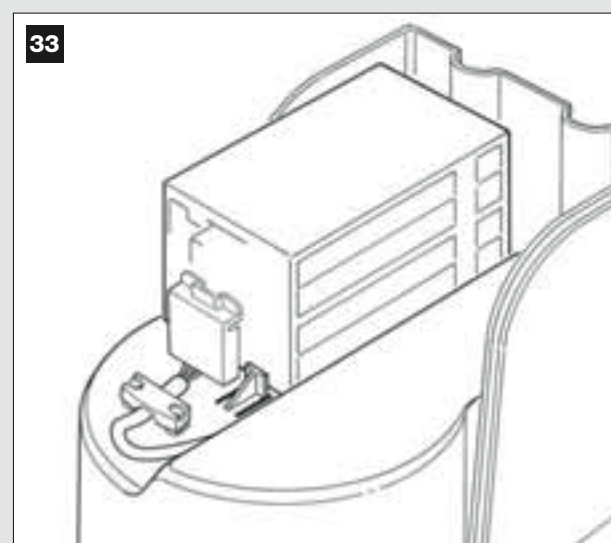


REMOVING THE CONTROL UNIT FROM THE GEARMOTOR

- 01.** Using a Phillips screwdriver, loose the cable clamp screws (fig. 31-a) and the terminal board cover (fig. 31-b) to facilitate removal of the control unit from its seat.
- 02.** Fig. 31-32: press a finger on the tab (fig. 31-c) locking the control unit and with the other hand remove the control unit from its seat by pushing it forwards and upwards at the same time to detach it from the guide.



- 03.** Fig. 33: after completing the work, refit the control unit in its seat as follows:
a) position the control unit above the tab (fig. 31-c) then push it down and pull backwards until it clicks into place. Then refit the terminal board cover and cable clamp.



6.2 – INSTALLING AND CONNECTING THE GEARMOTOR WITHOUT CONTROL UNIT

If the system envisages the use of two gearmotors, connect the gearmotor without control unit to the version with control unit as follows:

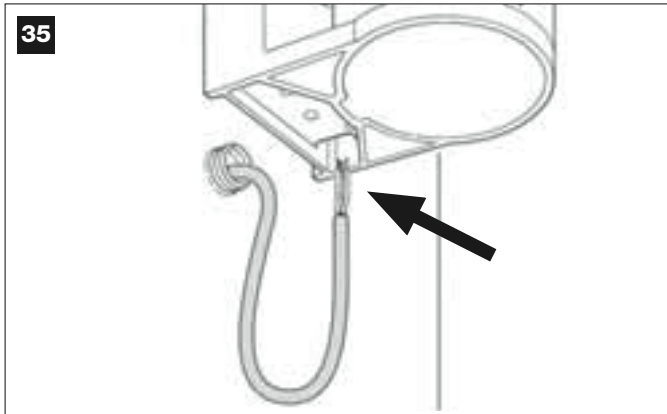
01. Fig. 34:

- a) On the gearmotor without control unit, loosen the screw on the top of the cover using a Phillips screwdriver.
- b) Place two fingers on the two cavities on the rear of the gearmotor and lift the cover by pulling upwards, using the base as leverage.



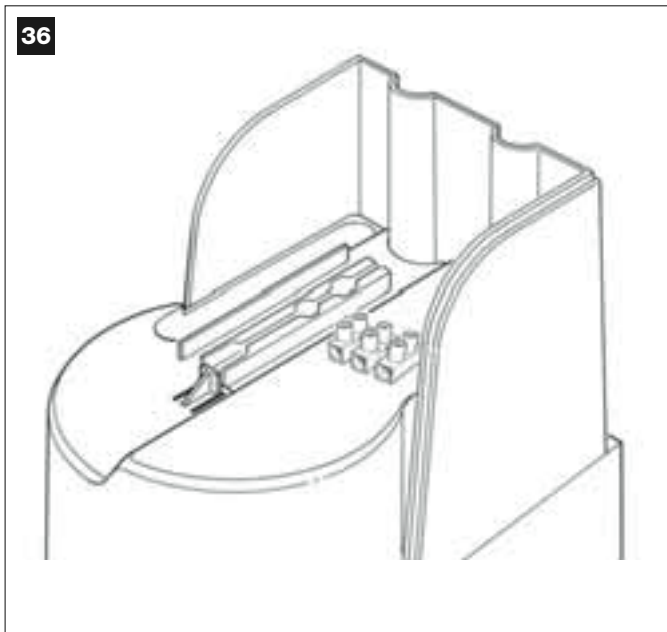
02. Fig. 35:

Pass the connection cable through the hole on the lower side of the gearmotor.



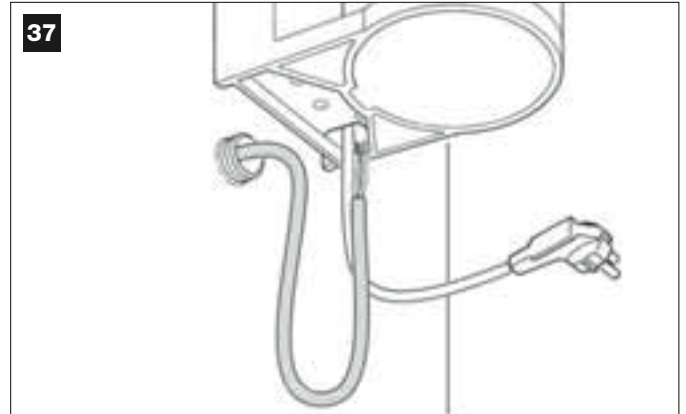
03. Fig. 36:

Connect the cable wires to the respective terminals observing the symbols. Then secure the cable with the clamp.



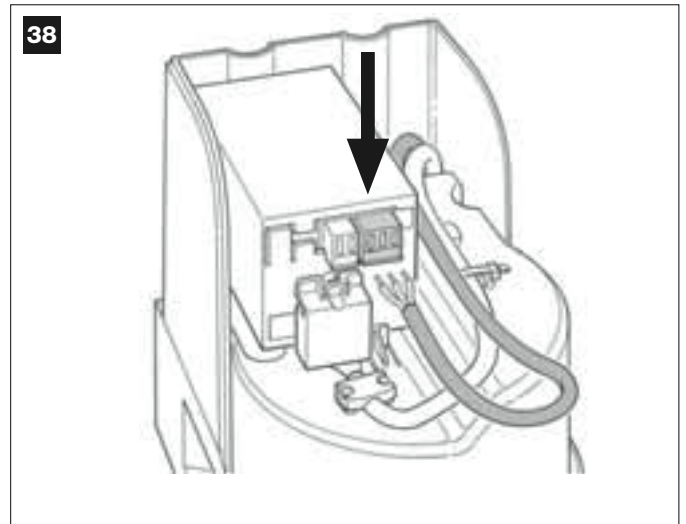
04. Fig. 37:

On the gearmotor with control unit, remove the cover and pass the connection cable from the other gearmotor through the hole on the lower side.



05. Fig. 38:

- b) Remove the power terminal board from its seat to enable loosening of the three terminal screws.
- c) Proceed with connection of the cable wires, observing the symbols on the terminal board and refit the latter in its seat.



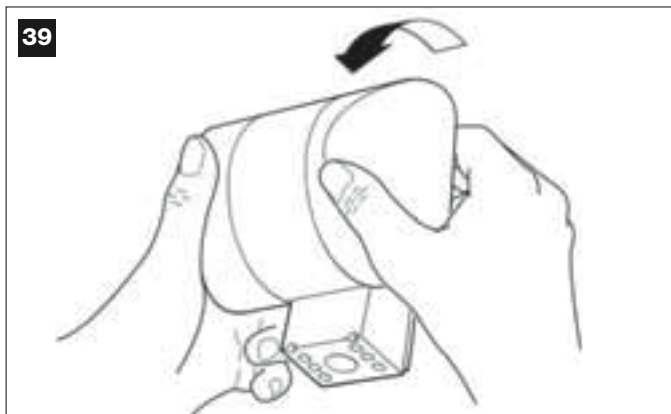
6.3 – INSTALLING AND CONNECTING FLASHING LIGHT MODEL MF

This flashing device indicates execution of each manoeuvre. It is also connected to the diagnostics system of the control unit and in the event of malfunctions signals the type of problem by means of a pre-set sequence of flashes (see paragraph "What to do if...").

To install and connect the flashing light proceed as follows:

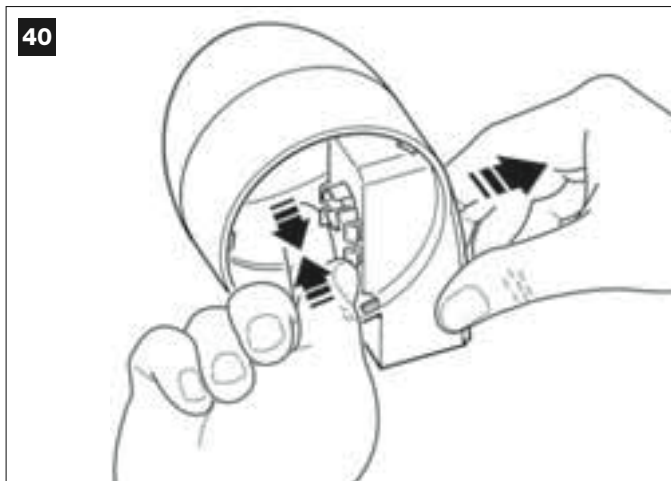
01. Fig. 39:

Extract one of the two transparent covers, turning it anti-clockwise and set aside.



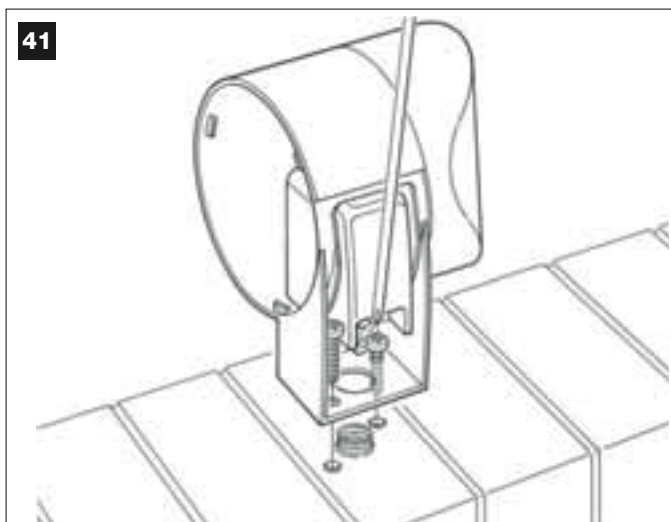
02. Fig. 40:

Use two fingers and at the same time press the two tabs at the bottom and use the other hand to remove the external cap of the flashing light.



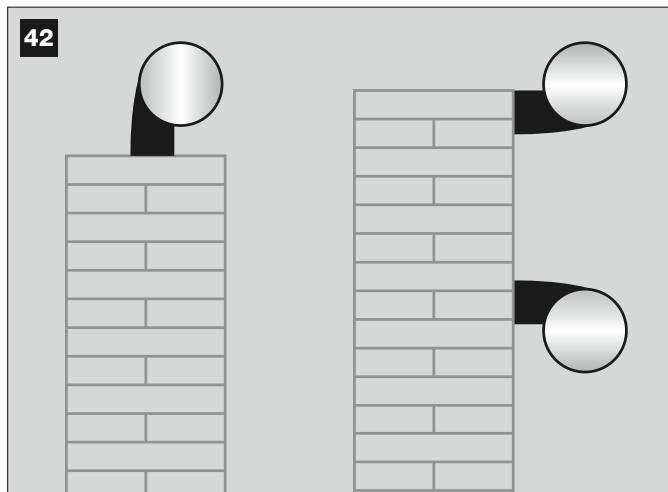
03. Fig. 41:

Drill the marked sections on the base of the flashing light for fixture of the screws and routing of the cables.



04. Fig. 42:

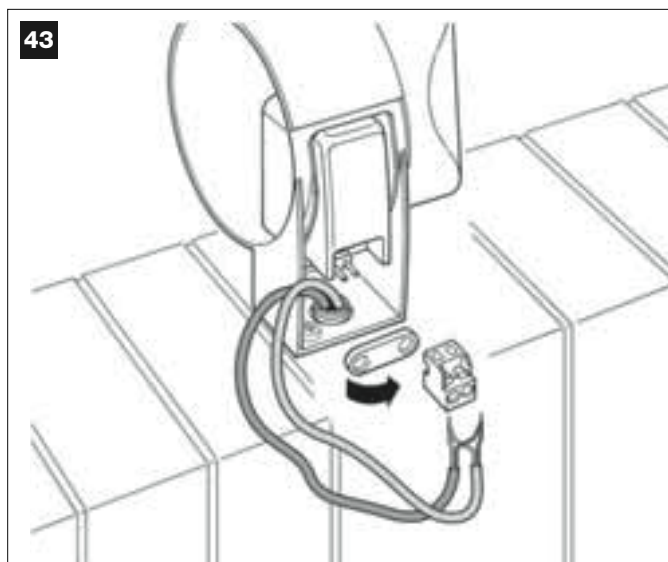
CAUTION! – never assemble the product in a position other than those specified.



05. Fix the body of the flashing light to the wall with the relative screws, routing the cables through the prepared holes.

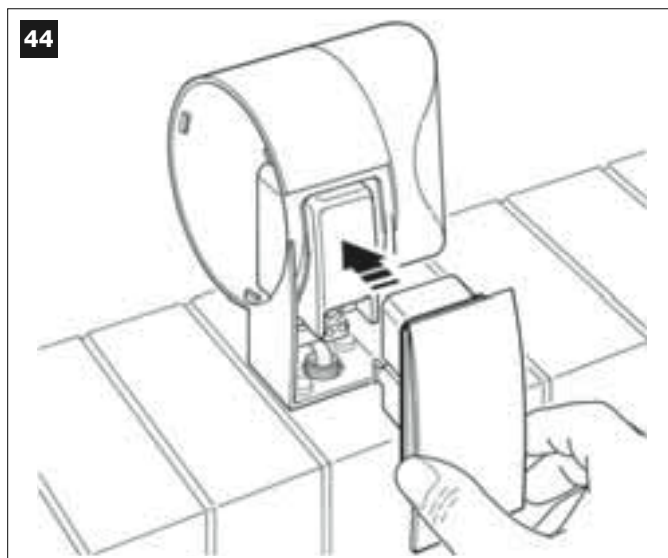
06. Fig. 43:

a) Connect the wires of the two cables and secure on the terminal board.
b) Lock the cable by means of the relative cable clamp.



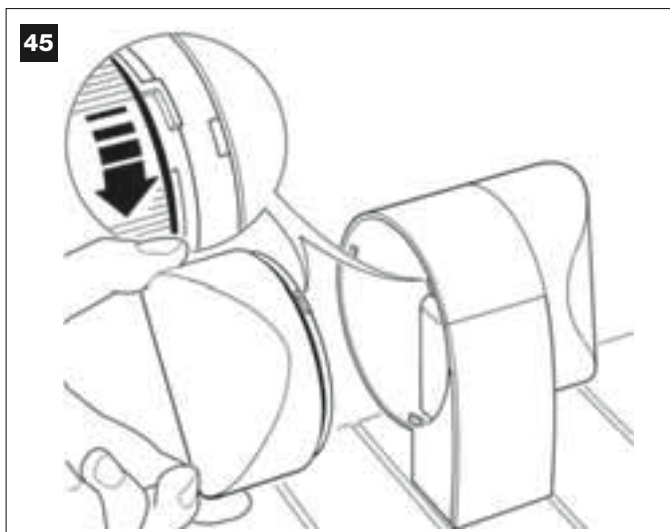
07. Fig. 44:

Insert the cap of the flashing unit in its seat until the tabs click in place.

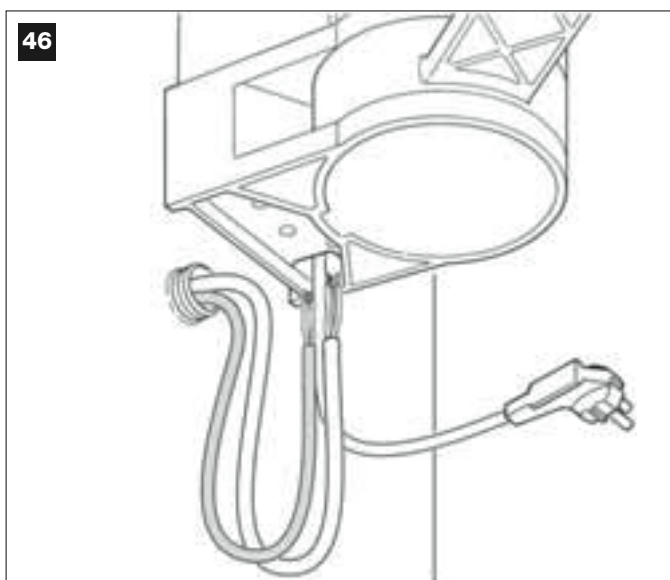


08. Fig. 45:

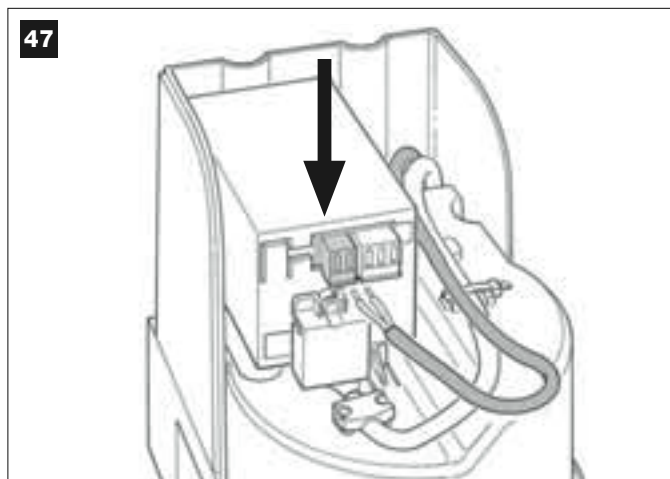
Refit the transparent cover in its seat and turn clockwise, taking care that the serrated section engages with those on the flashing light body.

**09. Fig. 46:**

On the gearmotor with control unit, pass the connection cable of the flashing light through the hole on the lower side.

**10. Fig. 47:**

- a) On the control unit, remove the BUS connection terminal board from its seat to enable loosening of the 2 terminal screws.
- b) Proceed with connection of the cable wires, observing the symbols on the terminal board and refit the latter in its seat.
- c) Then tighten the cable clamp to secure the cable to the gearmotor.



6.4 – INSTALLING AND CONNECTING PHOTOCELL MODELS MP

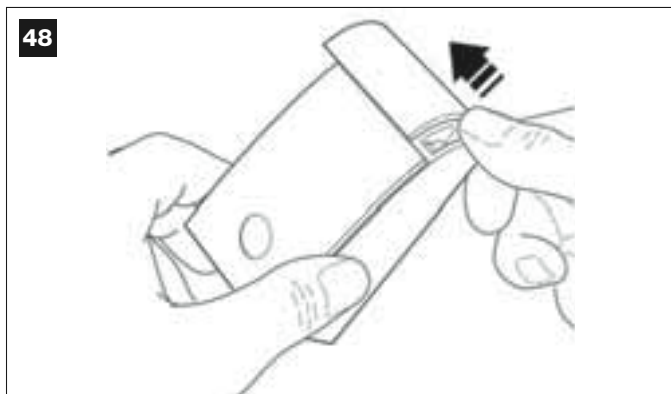
The pair of photocells is made up of one photocell that transmits (named TX) and one that receives (named RX). TX and RX are marked by a label inside the cover. The photocells are installed on each side of the point of transit and are connected to the control unit via the flashing light by means of the BUS cable.

The photocells are safety devices that enable the detection of obstacles when the latter cross the trajectory of the two photocells. The system can be equipped with up to 6 pairs of photocells for safety and a pair of photocells used to command an *Opening* manoeuvre only (to install additional photocells, refer to section “*Selecting operating modes of photocell pairs*”).

To install and connect a pair of photocells proceed as follows:

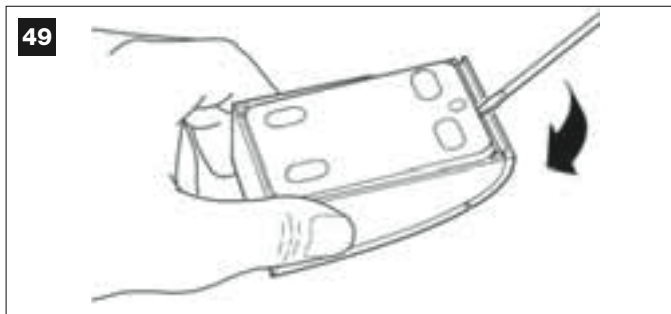
01. Fig. 48:

Remove the screw cover cap by pushing down one side as shown in the figure.



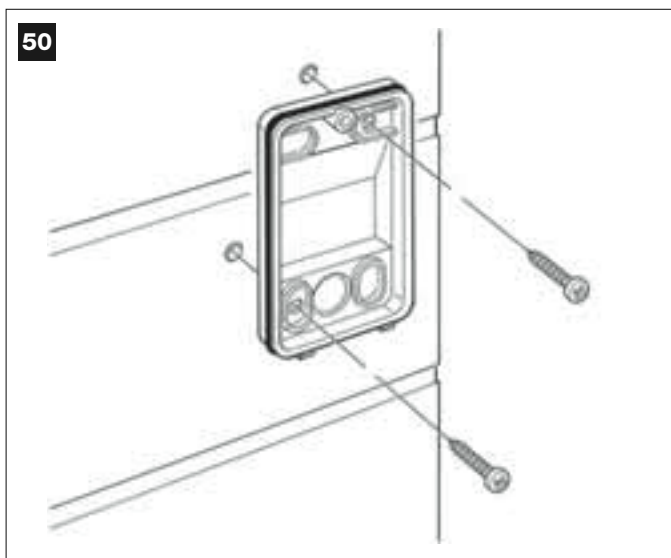
02. Fig. 49:

Using a screwdriver, open and detach the base of the photocell.



03. Fig. 50:

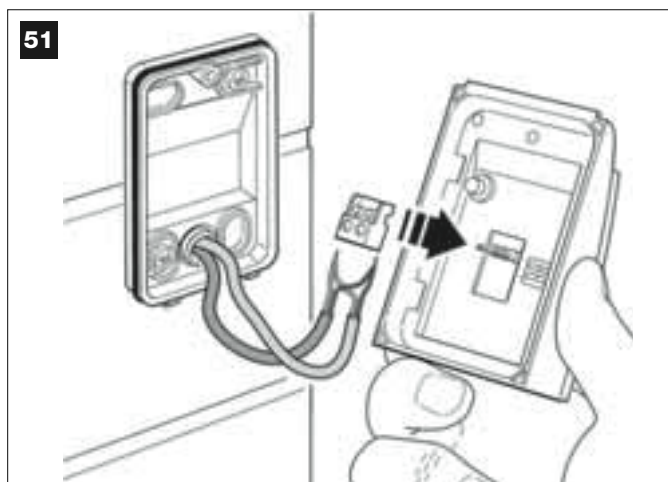
- Drill a hole on the pre-cut section on the base for routing the connection cables.
- Fix the photocell base to the wall with the relative screws, routing the cables through the prepared hole.



04. Fig. 51:

- Connect the wires of the two cables and secure on the terminal board.
- Insert the terminal board in the male connector at the rear of the photocell.

IMPORTANT! – Before closing the photocell, the photocell operating mode must be selected by means of the relative jumper (refer to section “*Selecting operating modes of photocell pairs*”).



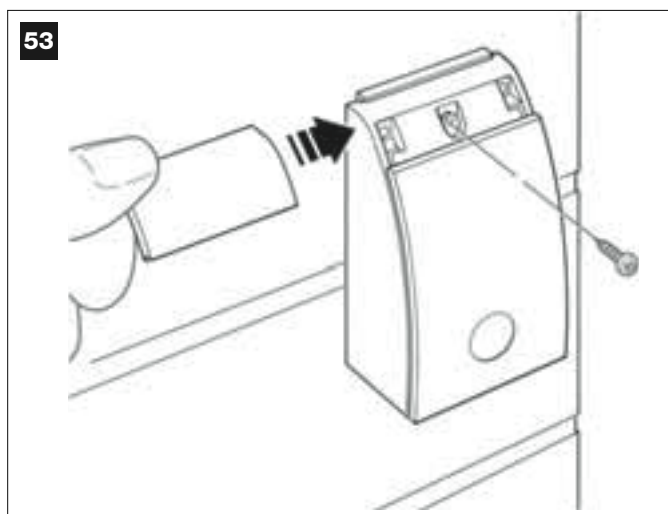
05. Fig. 52:

Refit the cover, ensuring that the serrated section engages with that of the photocell base.



06. Fig. 53:

Fix the photocell cover to the base by means of the screw supplied. Lastly refit the screw cover cap as shown in the figure.



SELECTING THE OPERATING MODE OF THE PHOTOCELL PAIR

Additional pairs of photocells can be installed at any time on a system for swing gates.

Up to a maximum of 6 pairs of photocells with safety functions can be added (as shown in the example **A-B-C-D-E-F** in **fig. 54**) and 1 pair with a control function (as shown in the example **G** in **fig. 54**) which performs an *Opening* manoeuvre only.

For the correct location of these pairs of photocells, refer to **fig. 54**.

In order for the control unit to recognise each pair of photocells and the specifically assigned function, the devices must be assigned with addresses by the insertion of one or two electric jumpers (**Table 3**) or no jumper at all (**Table 3**). In this way when the control unit receives the input from the photocells it will activate the motor for the corresponding manoeuvre.

The address assignment procedure is performed both on the TX and RX photocell as follows:

For photocells "A-B-C-D-E-F"

Take care to observe the following warnings:

- **the electric jumpers must be positioned on the two photocells using the same configuration;**
- **the same configuration used on one pair of photocells must NOT be used on other photocells.**

To program these pairs of photocells (if fitted on the system) proceed as follows:

01. Open the cover of the photocell.
02. In **fig. 54** locate the position in which the specific photocells are installed.
03. In **Table 3** select the required configuration and insert electric jumpers in the two photocells.

For photocells "G"

Take care to observe the following warnings:

- These photocells have a different function from the other (controlling the automation), and therefore must be positioned at a specific distance to avoid possible interference.
- These photocells remain powered also when the automation is on standby and in the event of a power failure, if the buffer battery is fitted, this will reduce the standard lifetime (see **STEP 6.6**).

To program these pairs of photocells (if fitted on the system) no electric jumper must be inserted (see **Table 3**).

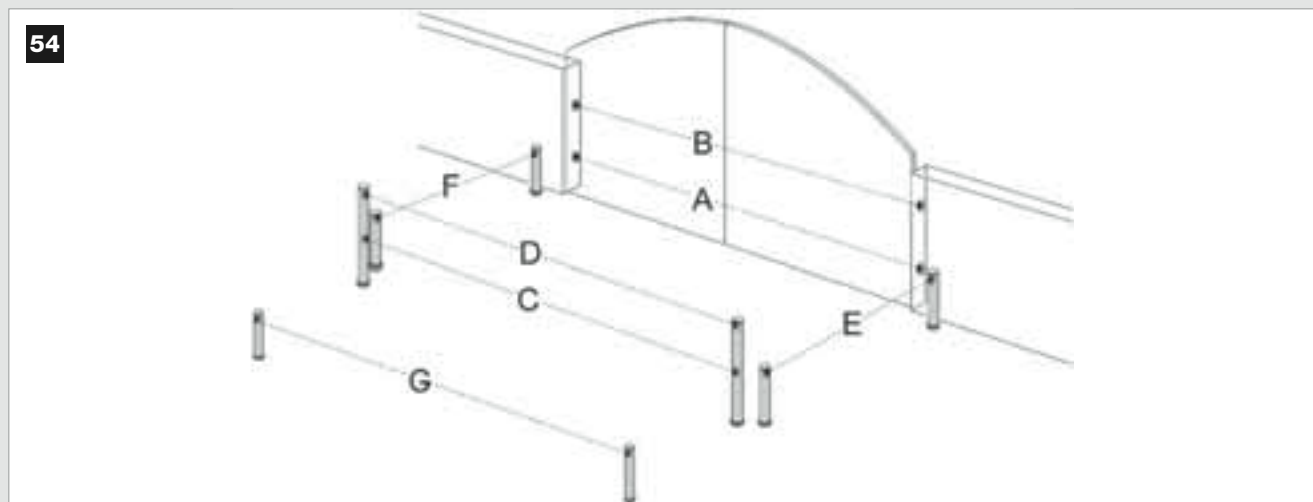


TABLE 3

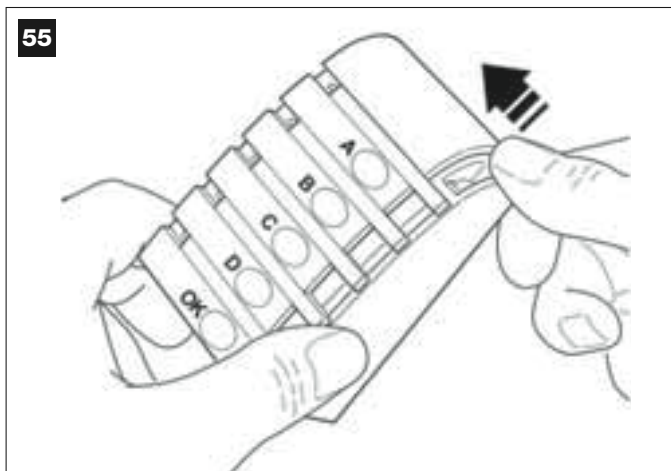
Pair of photocells	Electric jumpers	Pair of photocells	Electric jumpers
A Photocells h = 50 cm (these are activated when the gate is in the closing phase)		E Photocell to right (these are activated when the gate is in the Opening phase)	
B Photocells h = 100 cm (these are activated when the gate is in the Closing phase)		F Photocell to left (these are activated when the gate is in the Opening phase)	
C Photocells h = 50 cm (these are activated when the gate is in the Opening or closing Phase)		G Photocell with Gate opening only command	
D Photocells h = 100 cm (these are activated when the gate is in the Opening or closing Phase)			

6.5 – INSTALLING AND CONNECTING KEYPAD model MK

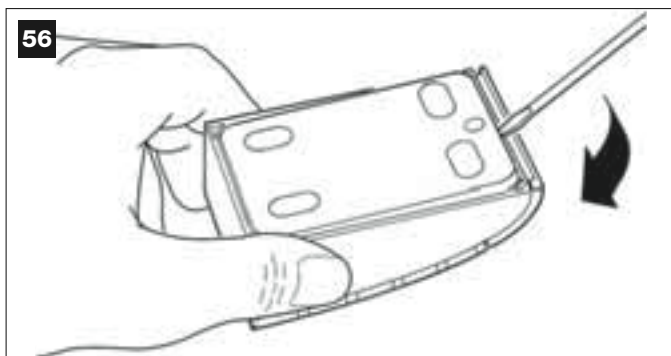
The control keypad is a wall-mounted device used for control of the automation via a Bus connection. Up to 4 keypads can be connected in a single system and the device can be programmed to operate in two modes: Traditional mode (each key performs a specifically assigned function- *factory set*) and safety mode (to activate a manoeuvre, a secret key sequence must be entered, as set by the user). The keypad is backlit for poorly lit conditions.

To install and connect the keypad proceed as follows:

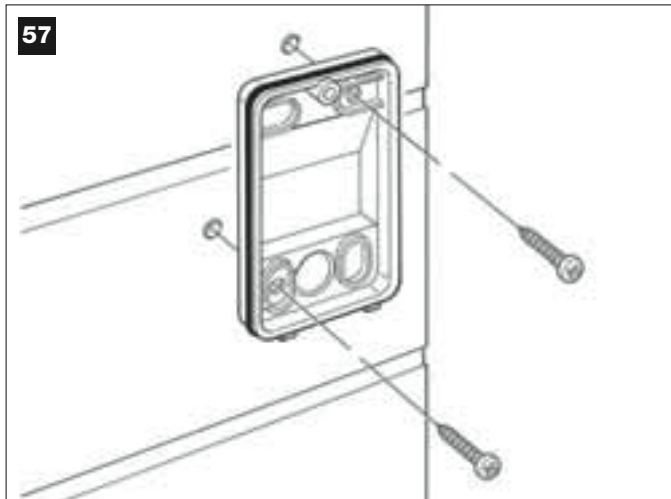
- 01. Fig. 55:**
Remove the keypad cover by pushing down one side as shown in the figure.



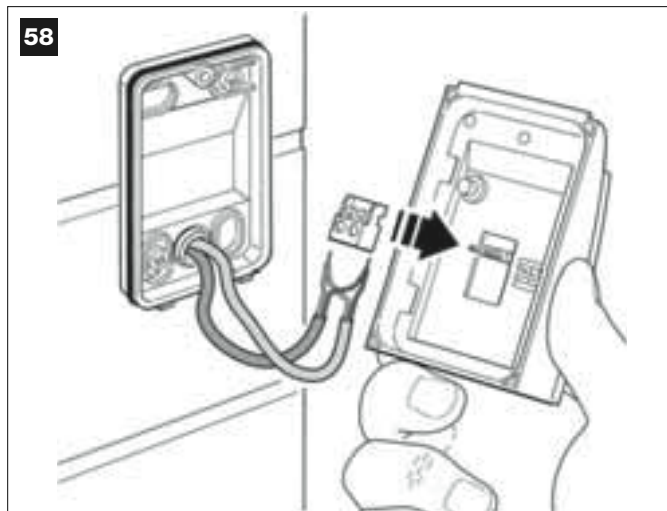
- 02. Fig. 56:**
Using a screwdriver, open and detach the base of the keypad.



- 03. Fig. 57:**
a) Drill a hole on the pre-cut section on the base for routing the connection cables.
b) Fix the keypad base to the wall with the relative screws, routing the cables through the prepared hole.



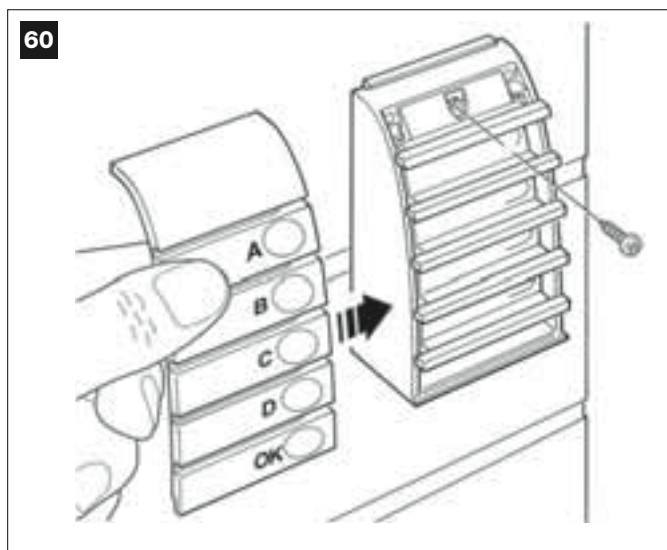
- 04. Fig. 58:**
a) Connect the cable wires to the respective terminals.
b) Insert the cable connector in the male connector at the rear of the keypad.



- 05. Fig. 59:**
Refit the cover, ensuring that the serrated section engages with that of the keypad base.



- 06. Fig. 60:**
Fix the keypad cover to the base by means of the screw supplied. Lastly refit the screw cover cap as shown in the figure.

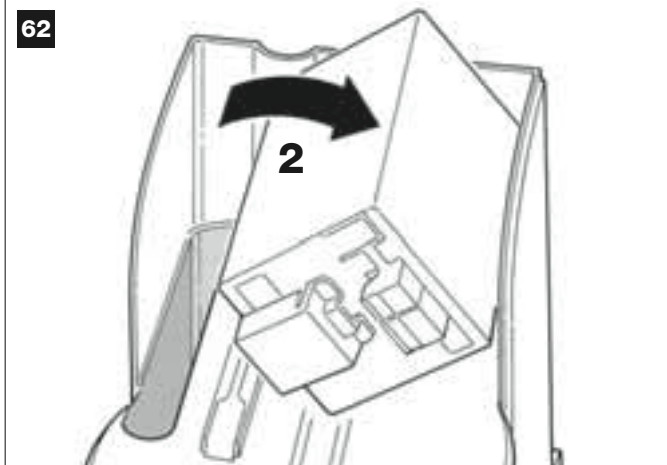
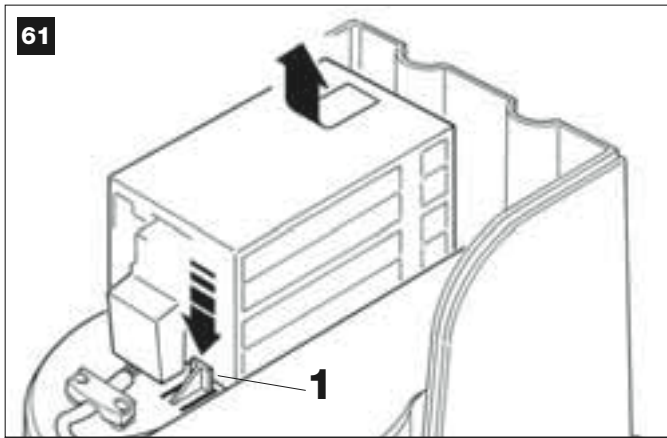


6.6 – INSTALLING THE BUFFER BATTERY mod. MB

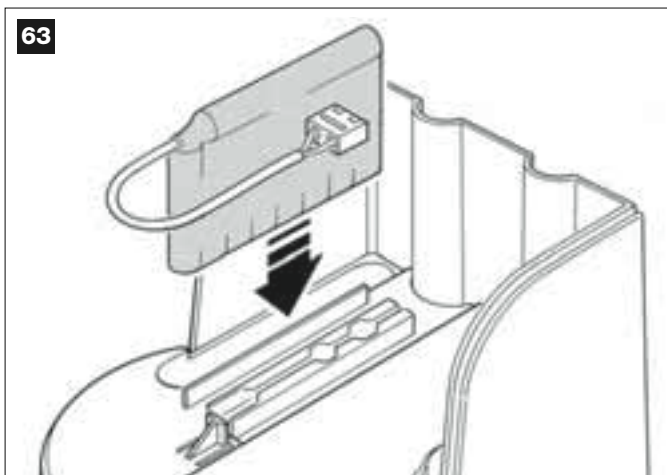
The buffer battery is self-charging with a voltage of 12V and power of 2100mAh. This is particularly useful in the event of a sudden power failure. The gearmotor with control unit enables the installation of 1 battery. Depending on the type and weight of the gate, when charged, the battery guarantees an autonomy of approx. 6 - 7 consecutive movement cycles (1 cycle = opening- closing).

The buffer battery compartment is below the control unit; to install, proceed as follows:

- 01.** Using a Phillips screwdriver, loosen the cable clamp screws to release the power cable and facilitate removal of the control unit from its seat.
- 02. Fig. 61-62:** Press with one finger on the tab (1) locking the control unit and with the other hand remove the control unit from its seat by pushing it forwards and upwards (2) at the same time to detach it from the guide.



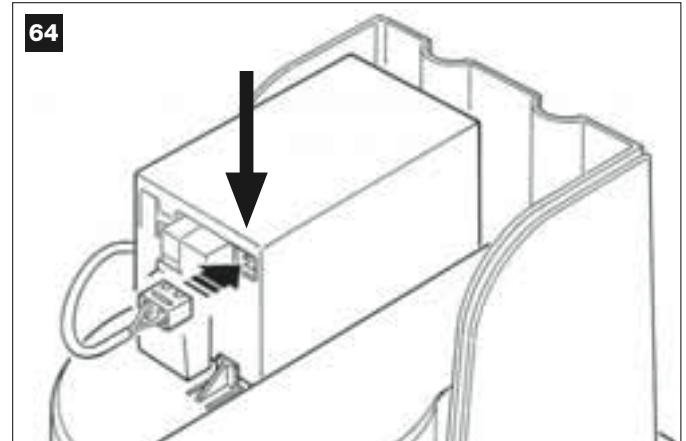
- 03. Fig. 63:** Insert the battery in the compartment below the control unit.



- 04.** Refit the control unit in its seat as follows:
- position the control unit above the guide
 - then push it down and pull backwards until it clicks into place.

CAUTION! - The point below (05 – electrical connection of the buffer battery to the control unit) must only be performed after completing all installation and programming phases, as the battery is an emergency power source.

- 05. Fig. 64:** Insert the battery connector in the male connector on the control unit.



WARNINGS

To guarantee optimal lifetime of the buffer battery, the following warnings should be observed:

The buffer battery is an emergency device: Therefore it should only be used moderately in the event of real necessity. Excessive and continuous use can lead to overheating of the elements, which over time may reduce the normal lifetime of the battery.

Never leave the automation powered exclusively by the buffer battery for periods longer than a day: The elements may overheat excessively and impair lifetime of the battery.

Therefore, if absent from the installation site of the automation for prolonged periods, it is recommended to detach the buffer battery terminal connected to the control unit.

- When the buffer battery is completely discharged, around 24 hours are required to completely recharge.
- In the event of prolonged periods of disuse, the optional battery should be removed and stored in a dry location to avoid the risk of leaks of harmful substances

Battery disposal

CAUTION! – Even if discharged, the batteries can contain pollutant substances and therefore must NEVER be disposed of in common waste collection points. Dispose of according to separate waste collection methods as envisaged by current local standards.

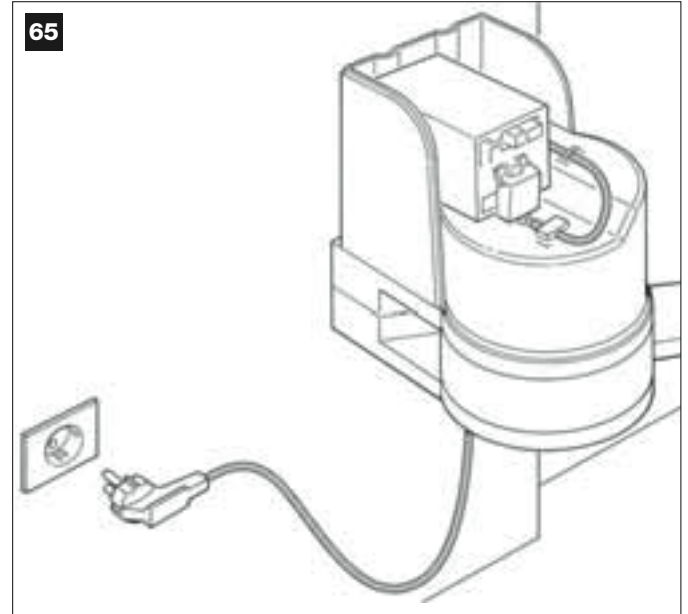
STEP 7

WARNINGS

- The PVC power supply cable supplied with the product is ideal for internal installation; an insulated tube must be used to protect the cables when installed outside, or the specific H07RN-F type cable can be requested to replace this version if required.

- Final connection of the automation to the mains or replacement of the cable supplied must be performed by a skilled and qualified electrician, in observance of local current safety standards and the instructions in the section “Tasks reserved for qualified technicians”.

To perform the automation operation and programming tests, insert the **power plug of the control unit** (supplied) in a mains socket (fig. 65). If the socket is far from the automation, use a suitable extension lead.



INITIAL START-UP AND ELECTRICAL CONNECTION CHECK

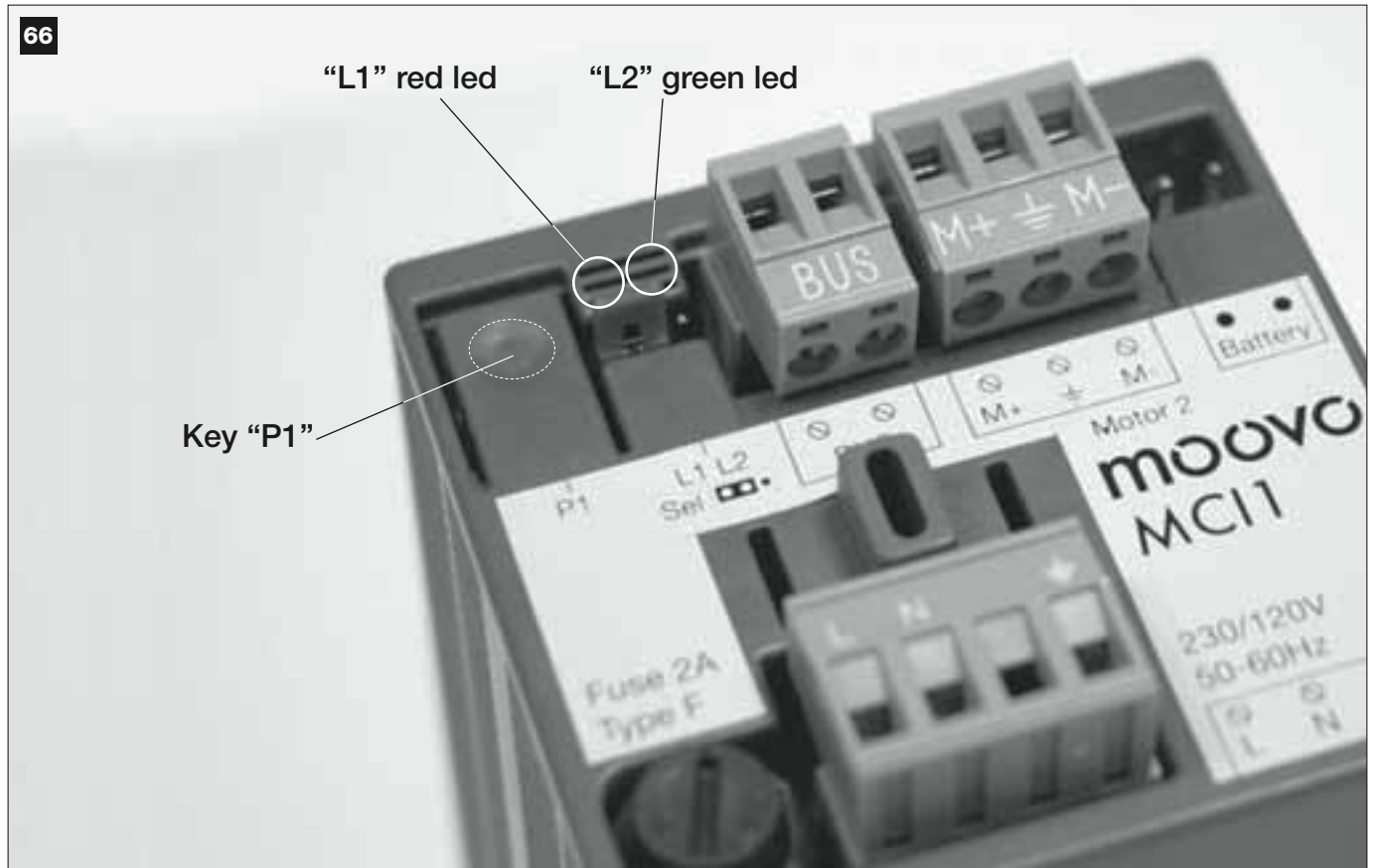
STEP 8

CAUTION! – The following operations described in this manual will be performed on live electrical circuits and therefore manoeuvres may be hazardous! Therefore proceed with care.

After powering up the control unit (fig. 65), the red led and green led (fig. 66) emit a series of flashes.

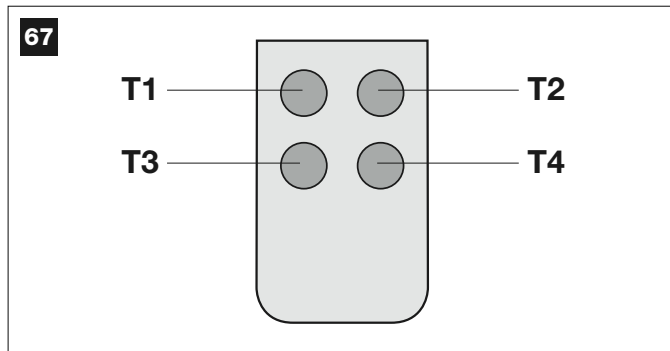
At the end of this phase, the red led starts flashing at regular intervals. This confirms correct operation of the control unit.

CAUTION! – If the red led does not flash as described above, disconnect the Control unit from the power supply and carefully check all connections (refer also to the paragraph “What to do if....”).



WARNINGS for programming:

- **Always read the procedure first and then perform the operations in the correct sequence.**
- *In this manual the transmitter keys are identified by means of numbers. To check the correspondence of numbers and the transmitter keys see fig. 67.*

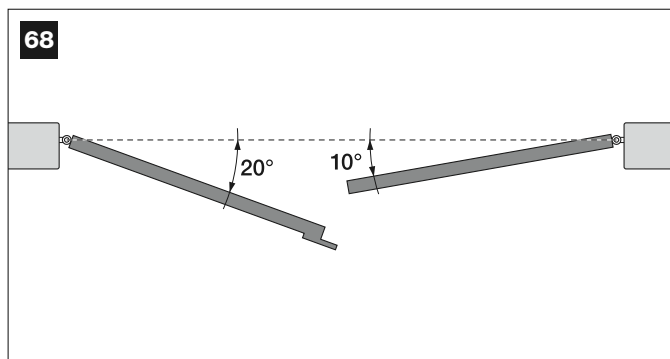
**STEP 9****9.1 – MEMORISING DEVICES CONNECTED BY MEANS OF “BUS” CABLE AND LEAF TRAVEL LIMIT POSITIONS “0” AND “1”**

To program the control unit, perform the following operations in the specified sequence:

Note — During this procedure, the user can exit the process at any time (without saving the operations performed) by pressing “P1” once on the control unit (fig. 66). In particular, from point 07 onwards, the user can also exit the procedure by activation of a safety device (photocell or other...).

01. (on Gate)

Release the two gearmotors by means of the special release key (see chapter “**Manually releasing or locking the gearmotor**” in the TECHNICAL DOCUMENTATION) and manually move the two gate leaves to the position shown in fig. 68. Then lock the two gearmotors again.

**02. (on the Control unit)**

Pres and hold the key “P1” on the Control unit for at least **5 seconds** until the green Led turns off and the red led illuminates (this remains lit through to the end of the procedure). Then release the key and proceed as follows:

03. (on safety Photocells)

Note – The time available for this check is unlimited.

Check correct operation of these types of photocells, ensuring that the relative Led flashes slowly. Otherwise if it is lit or off, correct alignment between the photocells attempting to obtain a flashing frequency that is slow as possible (the slower the flashing speed, the better the photocell alignment).

- slow flashing light = correct photocell alignment;
- light permanently lit = incorrect alignment (revise photocell alignment);

- light off = photocells installed incorrectly (check “Bus” connection of photocells).

04. (on control Photocells)

Activate this type of photocell (if fitted on the system), interrupting the beam once only. Successful learning is confirmed by the flashing light (1 flash) and the keypad (1 beep), if fitted on the system.

05. (on the keypads)

Activate the keypads (if fitted on the system) by pressing a single key on each one as required once only.

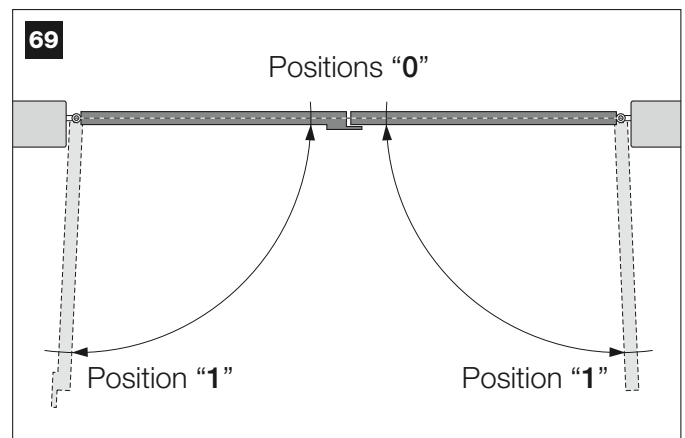
Successful learning is confirmed by 2 beeps at short intervals, emitted by the keypad and 1 flash of the flashing light, if fitted on the system.

06. (on the Control unit)

Pres and hold the key “P1” on the Control unit for at least **5 seconds** until the green Led turns off. Then release the key.

07. (on Gate)

Note – the manoeuvres that follow enable the control unit to automatically memorise the positions of point “0” (total closing) and point “1” (total opening), as shown in fig. 69.



At this point the Control unit automatically activates 3 manoeuvres, also indicated by the flashing light:

- 1 - Closure of Leaf 2, followed by closure of Leaf 1.
- 2 - Opening of the two leaves.
- 3 - Closing of the two leaves.

At the end of the last manoeuvre, the red led turns off (= procedure completed) and then resumes flashing at regular intervals

CAUTION! – As soon as the first manoeuvre starts, check immediately that:

- a - Leaf 2 moves before Leaf 1;
- b - Leaf 2 moves in the Closing direction.

If the results of these checks do not conform to specifications, stop the procedure immediately by pressing P1 on the control unit once. Then solve problems “a” and “b” with reference to STEP 6.1. Then repeat the entire procedure 9.1.

Memorising other devices connected by Bus cable at a later date

If in future the user decides to install and memorise other devices connected to the control unit by means of the Bus, and **procedure 9.1 has been completed previously**, the new devices can be memorised using the same procedure, starting from point 01 through to point 06. On completion, press P1 once on the control unit to complete the memorisation process.

9.2 – MEMORISATION OF TRANSMITTER MOD. MT4

CAUTION! – Always read the procedure first and then perform the operations in the correct sequence without allowing more than 10 seconds to pass between releasing one key and pressing the next.

To enable control of the automation with the transmitter, the keys must be memorised in the control unit memory. Memorisation enables the association of each key with the required com-

mand, selecting from the following:

1 = Step-Step: Corresponds to the sequence... *Open - Stop - Close - Stop...* The first command activates *Opening*; the next, with the leaf moving, activates *Stop*; the third activates *Closure*; the fourth with the leaf moving activates *Stop* and so on.

2 = Step-Open: Corresponds to the sequence... *Open - Stop - Close - Open...* The first command activates *Opening*; the next, with the leaf moving, activates *Stop*; the third activates *Closure*; the fourth with the leaf moving activates *Open* and so on...

3 = Partial open: Corresponding to total opening of one leaf only This command is only activated if **Leaf 2**, the subordinate leaf, is completely closed.

4 = Apartment block open: This command is used for apartment blocks and envisages programming of all apartment block transmitters with a single "apartment block opening" key. This command operates as follows:

- if the command is sent while an *Opening* manoeuvre is in progress, the manoeuvre continues;
- if the command is sent while a *Closing* manoeuvre is in progress, the manoeuvre is interrupted and an *Opening* manoeuvre is started;
- if the command is sent when the gate is stationary and completely open, the *Closing* manoeuvre is started. **Note - Automatic closure of the gate is also possible, by programming a pause time as required (see chapter 10).**

A single procedure memorises **a single key** of the transmitter; this can be memorised both on the present control unit and on control units of other automations. The control unit memory can memorise up to 150 keys. For each key to be memorised, repeat the following procedure.

- 01.** Select which transmitter **key** is to be memorised (for example: *Key T3*).
- 02.** Decide on the **command** (from those listed below) to be associated with the selected key (for example: *Command "2"*).
- 03.** Press "**P1**" (on the Control unit) the same number of times as the selected command number (in the example "2", i.e. twice) and check that the green led emits the same number of quick flashes (repeated at regular intervals).
- 04.** (within 10 seconds) Press and hold the transmitter key to be memorised for at least 2 seconds (in the example, key T3).

If the memorisation procedure is successful, the green led emits 3 long flashes (= memorisation OK). **Note - Before the 10 second interval elapses, the key of a NEW transmitter with the same command can be memorised (useful, for example, when several transmitters need to be memorised on the same control unit).**

Otherwise wait until the green led turns off (= procedure completed) and for the red led to resume flashing at regular intervals.

9.3 – PROGRAMMING KEYPAD mod. MK

The control keypad can be programmed for two alternative operating modes:

- **TRADITIONAL mode** (without the use of a personal password)
- **SAFETY mode** (with use of a personal password)

After memorisation (see **STEP 9.1**) the keypad is set to "Traditional mode" (*factory setting*) but this may be modified as described below.

"Traditional" operating mode"

In this mode the keys are independent and each commands a specific action. The commands are:

- Key "**A**" = **Step-step** command
- Key "**B**" = "**Partial open**" command
- Key "**C**" = **Open** Command
- Key "**D**" = **Close** command
- Key "**OK**" = **Stop** Command

"Safety" operating mode"

In this mode the keypad is enabled on entry of a password set by the user (from 1 to 10 letters) followed by the key OK. This combination of keys only sends the specific command that the user set during the mode programming phase.

Note - If the Step-Step command is programmed, after the command is sent the user has 10 seconds in which to send a subsequent command, by simply pressing "OK". This eliminates the need to repeat password entry.

"SAFETY" MODE PROGRAMMING

- 01.** Press and hold keys "**A**" and "**B**" simultaneously for a few seconds, until the keypad emits a sequence of beeps that indicate start-up of programming.
- 02.** Using the keys enter the "*PUK code*" (10-letter code supplied with the keypad); and then press "**OK**".
If the code is correct the keypad emits a series of beeps; if incorrect a single continuous tone is emitted.
- 03.** Using the keys enter the *personal password* (from 1 to 10-letters); and then press "**OK**".
The keypad emits a series of *beeps*.
- 04.** From the list below, select the command to be programmed and on the keypad press the **key to be associated with the command** followed by **OK**.

Step-Step command	= key A
"Partial open" command	= key B
Open command	= key C
Close command	= key D
Stop command	= key OK

The keypad emits a series of beeps to indicate completion of programming.

Modifying the Personal Password

To modify you personal password, repeat the entire "Safety mode" procedure, changing the existing password at point 03.

"TRADITIONAL" MODE PROGRAMMING

To program this mode, perform the "Safety mode programming" procedure, and at point 03 and 04 press "OK" only.

ADJUSTMENTS AND OTHER OPTIONAL FUNCTIONS

The control unit has a number of optional functions to enable the user to add specific functionalities to the automation, thus personalising the product according to special needs.

10 – AUTOMATION OPERATION ADJUSTMENT

To personalise operation of the automation, a number of functions can be enabled or disabled, also with the option for modifications to settings as required. The functions are:

- **AUTOMATIC LEAF CLOSURE** When this function is enabled, at the end of an Opening manoeuvre activated by the client, the control unit automatically closes the gate after a set time interval.
- **LEAF MOVEMENT SPEED** This function enables the user to set the required speed used by the automation to move the gate leaves.
- **LEAF SENSITIVITY TO OBSTACLES** During a manoeuvre, if an obstacle accidentally stops gate leaf movement (a gust of wind, a vehicle, person etc.) this function promptly detects the increase in motor stress to contract the obstacle and activates immediate and total inversion of movement. If "automatic leaf closure" is set, the control unit re-attempts the movement a second time and on the third time, after a brief inversion, it stops the manoeuvre permanently.
- **LEAF PRESSURE DISCHARGE** At the end of the Closing manoeuvre, after the leaves have reached limit switch "0", the motor continues to "push" the leaves for a brief interval, to ensure perfect closure. Immediately afterwards, this function activates a very brief inversion of movement, to reduce excessive pressure exerted by the motor on the leaves

The values of these functions can be set according to personal requirements using the following procedure with a transmitter that has at least one key already memorised on the control unit.

Note – During this procedure, each time a key is pressed the flashing light emits one flash.

01. Press and hold the keys "T1" and "T2" simultaneously on the transmitter for at least **5 seconds**, after which release.
The two leds (green and red) on the Control unit flash to indicate entry to function programming mode (the leds continue to flash throughout the procedure).
02. Press and hold a transmitter key (already memorised on that of the control unit) for at least 1 second (the green Led emits one flash).
03. Then select one of the four functions available and on the transmitter press the key associated with the function for at least **1 second** (the green Led emits one flash):
 - **Automatic leaf closure** = (press key "T1")
 - **Leaf movement speed** = (press key "T2")
 - **Leaf sensitivity to obstacles** = (press key "T3")
 - **Leaf pressure discharge** (= press key "T3")
04. Lastly, refer to **Table 4**, select the required value in correspondence with the selected function and on the transmitter press the key associated with the selected value for at least **1 second** (the green and red Leds emit one confirmation flash).

TABLE 4

Automatic leaf closure

No closure → (press key "T1")

Closure after 15 seconds → (press key "T2")

Closure after 30 seconds → (press key "T3")

Closure after 60 seconds → (press key "T4")

Leaf movement speed

Low → (press key "T1")

Medium low → (press key "T2")

Medium high → (press key "T3")

High → (press key "T4")

Leaf sensitivity to obstacles

High → (press key "T1")

Medium high → (press key "T2")

Medium low → (press key "T3")

Low → (press key "T4")

Leaf pressure discharge

No discharge → (press key "T1")(*)

Minimum → (press key "T2")

Medium → (press key "T3")

Maximum → (press key "T4")

Notes to Table 4:

- (*) It is not recommended to set this value AT ANY TIME.
- The Table states the values available for each of the 4 special functions and the corresponding key to be pressed on the transmitter for selection of the specific value.
- The factory settings are highlighted in grey.
- When power is restored after a power failure the first manoeuvre command will be run at low speed, regardless of the type of speed setting.

11 – MEMORISING A NEW TRANSMITTER WITH PROCEDURE IN THE VICINITY OF THE CONTROL UNIT [with a transmitter already memorised]

A NEW transmitter can be memorised in the control unit memory without acting directly on key P1 of the control unit, but by simply working within its reception range. To use this procedure, an OLD transmitter, previously memorised and operative, is required. The procedure enables the NEW transmitter to receive the settings of the OLD version.

Warning – The procedure must be performed within the reception range of the receiver (maximum 10-20 m from receiver).

01. On the NEW transmitter, press and hold the key to be memorised for at least **5 seconds** and then release.
02. On the OLD transmitter, slowly press the control key to be memorised on the other transmitter **3 times**.
03. On the NEW transmitter, press the same key pressed in point 01 **once**.

Note – Repeat the same procedure for each key to be memorised.

12 – DELETING DATA FROM THE CONTROL UNIT MEMORY

Data in the control unit memory can be deleted partially or totally as required. To do this, the following procedures can be used, as required:

- Deletion of a command on a transmitter already memorised
- Deletion of other data memorised on the control unit

Deleting a command on a transmitter already memorised

The following procedure enables deletion of a single command assigned to a transmitter key from the control unit **memory**.

Note – During the procedure, the red and green leds remain permanently lit.

- 01.** Pres and hold the key “P1” on the Control unit for at least **10 seconds**: the **green** Led illuminates first, then the **red** led illuminates after 5 seconds and then both, to indicate that the Control unit has entered memory deletion mode (**WARNING! – do not release the key P1!**).
- 02.** Without releasing key P1, press the transmitter key to be deleted: if the control unit recognises this operation, the **green** led emits a short flash, after which the **P1** key and transmitter key can be released.

Deleting other data memorised on the control unit

The following procedure enables deletion of various types of **memorised data** from the control unit memory, as specified in **Table 5**.

Note – During the procedure, the red and green leds remain permanently lit.

- 01.** Pres and hold the key “P1” on the Control unit for at least **10 seconds**: the **green** Led illuminates first, then the **red** led illuminates after 5 seconds and then both, to indicate that the Control unit has entered memory deletion mode. Then release the key.
- 02.** With reference to **Table 5**, select the data to be deleted and press **P1** the same number of times as the number of presses specified in brackets (the green led emits one flash each time the P1 key is pressed).
- 03.** 5 seconds after the key “P1” is pressed for the last time, if deletion is successful, both leds (red and green) flash quickly (= *memory deleted!*).
Note – Before deletion, there is a margin time of 5 seconds, in which the user has the option to change decision and exit the procedure without deleting data by pressing key P1 five times.

IMPORTANT! – After deletion of the “Memory of positions 0 and 1” and “TOTAL Memory”, the procedure 9.1 – “**Memorising devices connected by means of Bus cable and leaf travel limit positions 0 and 1**” must be repeated.

TABLE 5

- Memory of Optional Function values (= **1 press**)

- Memory of positions “0” and “1” (= **2 presses**)

- Memory of Transmitters (= **3 presses**)

- TOTAL memory (= **4 presses**). **Note** – deletes the first three memories in one process



Tasks reserved for qualified technicians

CAUTION! – All operations in this section must be performed exclusively by skilled and qualified personnel, in observance of the instructions in the manual, and current local legislation and safety standards in the place of installation.

CONNECTING THE AUTOMATION TO THE ELECTRICAL MAINS USING A CABLE OTHER THAN THE VERSION SUPPLIED

CAUTION! – Strictly observe the electrical connections specified in this paragraph, as incorrect connections could lead to serious faults or hazards.

If the distance of the gate from the electrical mains is greater than the length of the power cable supplied, this cable may be replaced with an electric line that is adequately protected and suited to the application. In this case, use a power cable with the dimensions 3 x 1,5 mm², and maximum length of 30 m. For greater lengths, use a cable with a larger section: For example, 3 x 2,5 mm², ensuring safety earthing in the vicinity of the automation. Then proceed as follows:

To connect the new cable to the Control unit:

01. Fig. A:

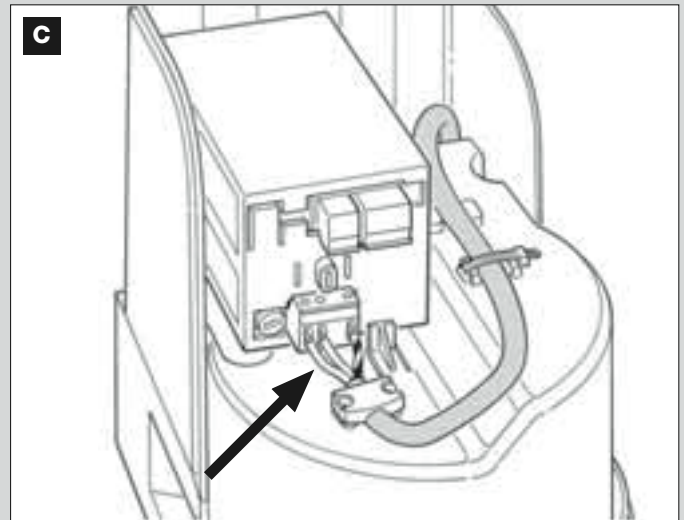
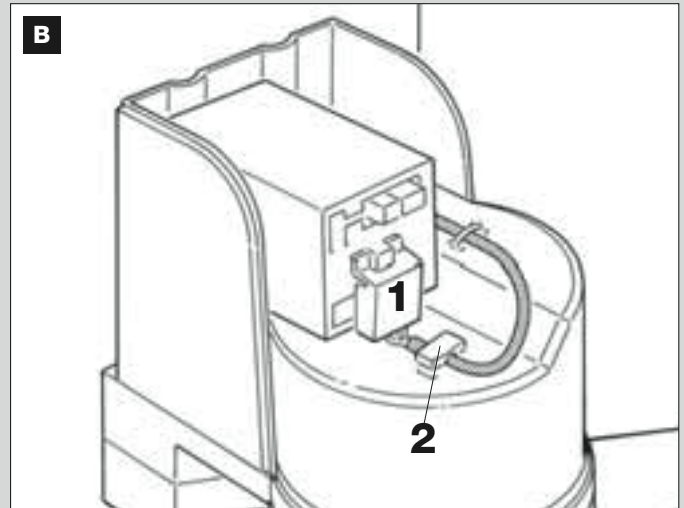
- a) Loosen the screw on the top of the cover using a Phillips screwdriver.
- b) Place two fingers on the two cavities on the rear of the gearmotor and lift the cover by pulling upwards, using the base as leverage.



02. Fig. B and C – Using a Phillips screwdriver loosen the screws of the terminal board cover (fig. B-1) and the cable clamp (fig. B-2) to release the power cable to be replaced, and eliminate. Then fit the new power cable through the hole on the lower side of the gearmotor and connect the cable wires to the terminal board, taking care to observe the symbols. **Note** – the terminal board can be removed

from its seat to facilitate wiring.

- **Brown** wire, to connect to “Phase”
- **Blue** wire, to connect to “Neutral”
- **Yellow-green** wire, to connect to “Earth”



03. Then refit the terminal board cover, cable clamp and close the gearmotor with its cover.

To connect the new cable to the electrical mains:

Caution! – When making this connection, the electrical mains power line must be equipped with short-circuit protection device (between the automation and the mains).

The electrical mains line must also be equipped with a power disconnect device (with overvoltage category III, i.e. minimum gap between contacts of 3.5 mm) or an equivalent system such as socket with removable plug.

This device, when necessary, guarantees fast and safe disconnection of the power supply and therefore must be placed in a location visible from the automation. If the power disconnect device is not in the vicinity of the automation and not visible from the latter, it must be fitted with a lockout facility to prevent inadvertent or unauthorised connection.

Note – The disconnect devices are not supplied with the product.

AUTOMATION TESTING AND COMMISSIONING

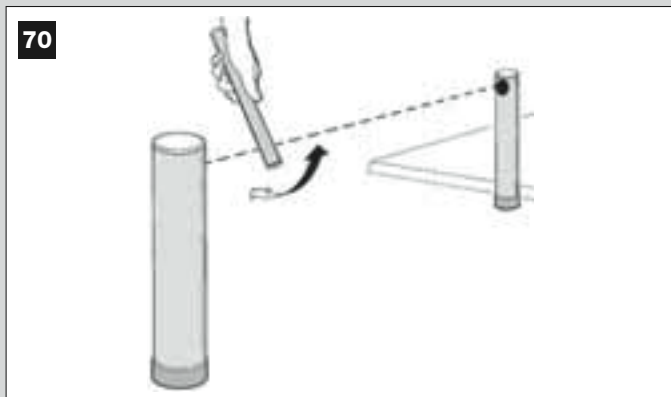
These are the most important phases of automation set-up to ensure maximum system safety.

The testing procedure described can also be performed as a periodic check of automation devices.

Testing and commissioning of the automation must be performed by skilled and qualified personnel, who are responsible for the tests required to verify the solutions adopted according to the risks present, and for ensuring observance of all legal provisions, standards and regulations, and in particular all requirements of the standard EN 12445, which establishes the test methods for checking automations for doors and gates.

AUTOMATION TESTING

- 1 Ensure that all specifications in STEP 1 regarding safety have been strictly observed.
- 2 Using the transmitter, perform door opening and closing tests and ensure that the movement corresponds to specifications.
Test several times to assess smooth operation of the door and check for any defects in assembly or adjustment and any possible points of friction.
- 3 Check operation of all system safety devices one at a time (photocells, sensitive edges, etc.) **Photocells:** Activate the device during an *Opening* or *Closing* manoeuvre and check that the control unit stops the manoeuvre and activates a total inversion of the movement (the flashing light emits 2 flashes, twice). **Sensitive edges:** Activate the device during an *Opening* or *Closing* manoeuvre and check that the control unit stops the manoeuvre and activates a short inversion of the movement (the flashing light emits 4 flashes, twice).
- 4 To check the photocells, and to ensure there is no interference with other devices, pass a cylinder (diameter 5 cm, length 30 cm) through the optic axis joining the pair of photocells (fig. 70): pass the cylinder first close to the TX photocell, then close to the RX and lastly at the centre between the two. Ensure that in all cases the device engages, changing from the active status to alarm status and vice versa, and that the envisaged action is generated in the control unit (for example movement inversion in the Closing manoeuvre).



- 5 Measure the force as specified in the standard EN 12445. If the motor force control is used as an auxiliary function for reduction of impact force, test and identify the setting that obtains the best results.
- 6 Activate a closing manoeuvre and check impact force of the leaf against the mechanical stop. If necessary, test by discharging pressure to obtain the best results.

AUTOMATION COMMISSIONING

Commissioning can only be performed after positive results of all test phases. Partial or “makeshift” commissioning is strictly prohibited.

- 1 Prepare the automation technical documentation, which must contain the following documents: Overall layout drawing (see example in fig. 8), electrical wiring diagram (see example in fig. 26), risk assessment and relative solutions adopted (see forms to be compiled on the website www.moovo.com, manufacturer's declaration of conformity for all devices used and the declaration of conformity compiled by the installer (see section TECHNICAL DOCUMENTATION).
- 2 Affix a dataplate on the door, specifying at least the following data: type of automation, name and address of manufacturer (responsible for commissioning), serial number, year of construction and CE mark.
- 3 Prepare and provide the owner with the declaration of conformity; the “**CE Declaration of conformity**” in the section TECHNICAL DOCUMENTATION must be compiled for this purpose.
- 4 Prepare and provide the owner with the form “**Operation manual**” in the section TECHNICAL DOCUMENTATION .
- 5 Prepare and provide the owner with the form “**Maintenance schedule**” in the section TECHNICAL DOCUMENTATION, containing all maintenance instructions for all devices in the automation .
- 6 Before commissioning the automation, ensure that the owner is adequately informed of all associated risks and hazards.

PERIODIC MAINTENANCE OPERATIONS

This product does not generally require any special maintenance; nevertheless, regular check-ups are advisable to ensure the system is in good working order and that the safety devices installed work properly.

To carry out this maintenance correctly, please refer to the “**Maintenance Schedule**”, which you will find in the “TECHNICAL DOCUMENTATION” section at the end of the manual.

PRODUCT DISPOSAL

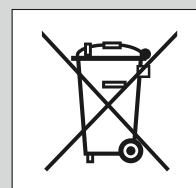
This product is an integral part of the automation and therefore must be disposed together with the latter.

As in installation, also at the end of product lifetime, the disassembly and scrapping operations must be performed by qualified personnel. This product comprises various types of materials: some may be recycled others must be disposed of. Seek information on the recycling and disposal systems envisaged by the local regulations in your area for this product category.

CAUTION! – some parts of the product may contain pollutant or hazardous substances which, if disposed of into the environment, may cause serious damage to the environment or physical health.

As indicated by the symbol alongside, disposal of this product in domestic waste is strictly prohibited. Separate the waste into categories for disposal, according to the methods envisaged by current legislation in your area, or return the product to the retailer when purchasing a new version.

CAUTION! – Local legislation may envisage serious fines in the event of abusive disposal of this product.



TECHNICAL SPECIFICATIONS OF PRODUCT COMPONENTS

WARNINGS

- The product XA4... is produced by Nice S.p.a. (TV) I. **Moovo** is a commercial trademark owned by Nice S.p.a.
- All technical specifications stated in this section refer to an ambient temperature of 20°C (± 5°C).
- Nice S.p.a. reserves the right to apply modifications to the product at any time when deemed necessary, while maintaining the same functionalities and intended use

GEARMOTORS XA4...

Note – The model XA432e houses the control unit.

DESCRIPTION	DATA			
	Mod. XA432		Mod. XA432e	
Power supply (Vac)	12 Vdc		230 Vac - 50/60 Hz	
Maximum absorbed power (W) of the motor	250 W			
Maximum thrust	150 N			
Nominal thrust	70 N			
Speed under no load	<i>low</i> 4.5° / sec	<i>high</i> 9° / sec	<i>low</i> 4.5° / sec	<i>high</i> 9° / sec
Nominal speed	3° / sec	6° / sec	3° / sec	6° / sec
Cycles/h at nominal thrust (20°)	8			
Cycle frequency maximum continuous	5			
Operating temp.	- 20 / + 50° C			
Dimensions	253 x 155 h x 235 mm			
Weight	6.2 kg		6.3 kg	
Protection class	IP 44			
Estimated durability (*)	from 50.000 to 100.000 manoeuvre cycles			

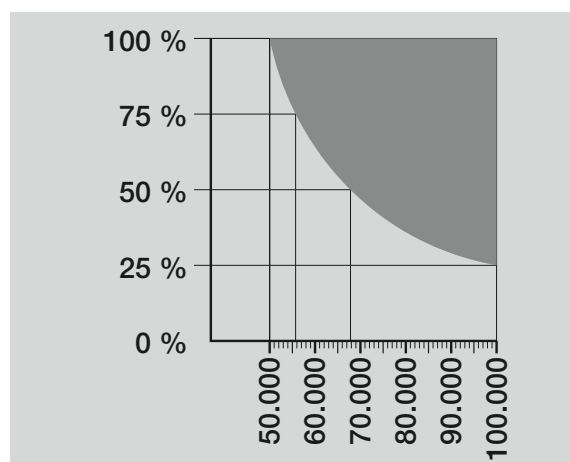
(*) **Note** – The estimated product durability ranges from 50.000 to 100.000 manoeuvre cycles. To calculate the probable durability of your automation proceed as follows:

a) – evaluate the conditions of use and force levels involved on your system, for example:

- the weight and length of the leaf;
- perfect balancing of the leaf;
- maintenance conditions of the leaf hinges;
- type of leaf; Solid or with many openings;
- the presence of strong winds;
- frequency of automation use.

b) – from these values, obtain a value expressed as a percentage which, in general, defines the greatest or smallest degree of automation wear.

c) – on the graph alongside, locate the estimated percentage (at point "b") and read the corresponding number of manoeuvre cycles.



MF FLASHING LIGHT

DESCRIPTION	DATA
Type	Flashing light for automations on gates and doors
Technology adopted	Luminous indicator with lamp controlled by Moovo control units with "Bus" system for automation
Lamp	12V 21W fitting BA15 (car type lamp)
Power supply	The device must be connected to the "Bus" terminal of the Moovo control units for automations
Ambient operating temperature	-20 ÷ 50°C
Use in acid, saline or potentially explosive atmospheres	No
Assembly	Vertical on surface or horizontal wall-mounted
Protection class	IP 44
Dimensions	135 x 120 h x 110 mm
Weight	340 g

MT4 TRANSMITTER

DESCRIPTION	DATA
Type	Radio transmitters for control of automations on gates and doors
Technology adopted	AM OOK radio encoded modulation
Frequency	433.92 MHz (\pm 100 kHz)
Coding	Rolling code with 64 Bit code (18 billion, billion combinations)
Keys	4, each key can be used for different commands of the same control unit or different control units
Radiated power	1 dBm e.r.p.
Power supply	3V +20% -40% with 1 lithium battery type CR2032
Battery lifetime	3 years, estimated on the basis of 10 commands/day of the duration of 1s at 20°C (battery efficiency is reduced at low temperatures)
Ambient operating temperature	-20°C ÷ 50°C
Use in acid, saline or potentially explosive atmospheres	No
Protection class	IP 40 (use in the home or protected environments)
Dimensions	40 x 70h x 8 mm
Weight	25 g
Capacity	estimated at 200 m outdoors; 35 m if inside buildings (*)

(*) The Transmitter (range) and the Receiver (reception capacity) are both highly susceptible to disturbance from other devices that may be operating at the same frequency in the surrounding area (e.g. alarms, radio headphones, etc.). Therefore, in the event of interference, Nice cannot offer any guarantees as to the actual range/capacity of its devices.

MP PHOTOCELLS

DESCRIPTION	DATA
Type	Presence detector for automations of automatic gates and doors (type D according to standard EN 12453) Comprising a pair of transmitters "TX" and receiver "RX"
Technology adopted	Direct TX-RX optical interpolation with modulated infrared beam
Detection capacity	Opaque objects placed on optical axis between TX-RX with dimensions greater than 50mm and speed less than 1.6m/s
TX transmission angle	approx. 20°
RX transmission angle	approx. 20°
Useful range	Up to 7 m for maximum TX-RX offset \pm 4° (the device can signal an obstacle also in the event di condizioni meteorologiche particolarmente avverse)
Power supply / Output	The device must be connected to the Moovo "Bus" terminal from which it is powered and sends the output signals
Absorbed power	450mW in operation; 40mW on stand by
Maximum cable length	Up to 20 m (observe warnings regarding the minimum section and type of cables)
Possibility of addressing	Up to 6 detectors with safety function and up to 4 with an opening control function. Automatic synchronisation prevents interference between the various detectors.
Ambient operating temperature	-20 ÷ 50°C
Use in acid, saline or potentially explosive atmospheres	No
Assembly	Vertical on surface or horizontal wall-mounted
Protection class	IP 44
Dimensions	50 x 85h x 35 mm
Weight (pair)	140 g

MK KEYPAD

DESCRIPTION	DATA
Type	5-key keypad, with possibility of activating the automation with or without entry of the code
Technology adopted	Possibility of entering an activation code of up to 10 digits (over 1 million possible combinations)
Power supply / Output	The device must be connected to the Moovo "Bus" networks from which it is powered and sends the output signals
Absorbed power	120mW in funzionamento; 45mW in stand by
Ambient operating temperature	-20 ÷ 50°C
Use in acid, saline or potentially explosive atmospheres	No
Assembly	Vertical wall-mounted
Protection class	IP 44
Dimensions	50 x 85h x 35 mm
Weight	80 g

WHAT TO DO IF ... (Troubleshooting guide)

During normal operation, the control unit constantly monitors the automation processes and is designed to indicate any faults that arise, by means of a pre-set sequence of flashes emitted by the flashing light and red led "L1" on the control unit (the diagnostics flashes always refer to the last action performed by the automation). For an explanation of the number of flashes and associated cause, refer to **Table 6** below:

TABLE 6		
Flashes	Problem	Solution
2 flashes - <i>pause</i> - 2 flashes	During the <i>Opening</i> or <i>Closing</i> manoeuvre the leafs block or invert the manoeuvre in progress.	This reaction is caused by the activation of a specific pair of photocells in the system, on detection of an obstacle. Therefore remove the obstacle on the trajectory of these photocells.
3 flashes - <i>pause</i> - 3 flashes	<ul style="list-style-type: none"> • During the <i>Opening</i> or <i>Closing</i> manoeuvre the leafs block suddenly and the control unit activates <u>total</u> inversion of the manoeuvre in progress to reach the travel limit. • During the <i>Opening</i> or <i>Closing</i> manoeuvre the control unit blocks the manoeuvre suddenly and unit activates <u>partial</u> inversion of the manoeuvre in progress without reaching the travel limit, then attempts two partial inversions consecutively with subsequent permanent shutdown of movement. 	The leafs are subject to increased friction due to a sudden obstruction (gust of wind, vehicle, person etc.) If adjustment to sensitivity is required, refer to the Chapter " Adjustments and other optional Functions "
4 flashes - <i>pause</i> - 4 flashes	<ul style="list-style-type: none"> • During the <i>Opening</i> or <i>Closing</i> manoeuvre the leafs block suddenly and the control unit activates a "Stop" command and a brief inversion of the movement. 	A safety device installed (other than photocells, such as sensitive edges) has detected a sudden obstacle. Therefore remove the obstacle.
5 flashes - <i>pause</i> - 5 flashes	The automation does not respond to commands.	There is a system configuration error. Therefore repeat installation.
6 flashes - <i>pause</i> - 6 flashes	After a series of manoeuvres sent consecutively, the automation is blocked.	The maximum admissible number of consecutive manoeuvres has been exceeded, causing excessive overheating. Wait for a few minutes to enable the temperature to return below the maximum limit
7 flashes - <i>pause</i> - 7 flashes	The automation does not respond to commands.	Error in internal electric circuits Disconnect all power circuits, wait a few seconds and then reconnect. Retry a command; if the automation does not respond this may indicate a serious fault with the electrical board of the control unit or motor wiring. Check and make replacements as necessary.
8 flashes - <i>pause</i> - 8 flashes	The automation does not respond to commands.	Error in "Bus" electric circuits Check operation of the connected devices one by one. These may be short circuited or malfunctioning

AVVERTENZE E PRECAUZIONI GENERALI PER LA SICUREZZA

PASSO 1

– Operare in condizioni di sicurezza!	4
– Avvertenze per l'installazione	4

CONOSCENZA DEL PRODOTTO E PREPARAZIONE ALL'INSTALLAZIONE

PASSO 2

2.1 - Descrizione del prodotto e destinazione d'uso	5
2.2 - Componenti utili per realizzare un impianto completo	5

PASSO 3

Verifiche preliminari all'installazione

3.1 - Verificare l'idoneità dell'ambiente e del cancello da automatizzare	6
3.2 - Verificare i limiti d'impiego del prodotto	6

PASSO 4

4.1 - Lavori preliminari di predisposizione	7
- 4.1.1 - Impianto tipico di riferimento	7
- 4.1.2 - Stabilire la posizione dei vari componenti	7
- 4.1.3 - Stabilire con quale schema collegare i dispositivi	7
- 4.1.4 - Verificare gli attrezzi necessari per effettuare il lavoro	8
- 4.1.5 - Eseguire i lavori di predisposizione	8
4.2 - Preparazione dei cavi elettrici	8

INSTALLAZIONE: MONTAGGIO E COLLEGAMENTO DEI COMPONENTI

PASSO 5

5.1 - Installare i componenti dell'automazione	10
5.2 - Regolazione del finecorsa meccanico in apertura	12

PASSO 6

– Effettuare l'installazione e il collegamento elettrico alla Centrale dei dispositivi presenti nell'impianto	13
6.1 - Impostare l'ordine di apertura delle ante del cancello	14
– Come estrarre la Centrale di comando	15
6.2 - Installare e collegare il motoriduttore senza Centrale	16
6.3 - Installare e collegare il segnalatore lampeggianti mod. MF	17
6.4 - Installare e collegare il LE FOTOCELLULE mod. MP	19
– Selezione della modalità di funzionamento della coppia di fotocellule	20
6.5 - Installare e collegare la tastiera mod. MK	21
6.6 - Installare la batteria tampone mod. MB	22

ALLACCIAMENTO DELL'ALIMENTAZIONE

PASSO 7	23
----------------	----

PRIMA ACCENSIONE E VERIFICA DEI COLLEGAMENTI ELETTRICI

PASSO 8	23
----------------	----

PROGRAMMAZIONE DELL'AUTOMAZIONE

PASSO 9

9.1 - Memorizzazione dei dispositivi collegati tramite cavo "Bus" e delle posizioni di finecorsa "0" e "1" delle ante	24
9.2 - Memorizzazione del trasmettitore mod. MT4	24
9.3 - Programmazione della tastiera mod. MK	25

REGOLAZIONI E ALTRE FUNZIONI OPZIONALI

10 - Regolazione del funzionamento dell'automazione	26
11 - Memorizzazione di un nuovo trasmettitore con la procedura "in vicinanza" della Centrale	26
12 - Cancellazione dei dati presenti nella memoria della Centrale	27

ATTIVITÀ RISERVATE AD UN TECNICO QUALIFICATO

– Collegamento dell'automazione alla rete elettrica con un cavo diverso da quello in dotazione	28
– Collaudo e messa in servizio dell'automazione	29
– Smaltimento del prodotto	29

CARATTERISTICHE TECNICHE DEI VARI COMPONENTI DEL PRODOTTO

30

COSA FARE SE... (guida alla risoluzione dei problemi)

32

Allegati: "DOCUMENTAZIONE TECNICA"

I-VII

PASSO 1

OPERARE IN CONDIZIONI DI SICUREZZA!

⚠ Attenzione – per la sicurezza delle persone è importante rispettare queste istruzioni.

⚠ Attenzione – Istruzioni importanti per la sicurezza: quindi, conservare queste istruzioni.

La progettazione, la fabbricazione dei dispositivi che compongono il prodotto e le informazioni contenute nel presente manuale rispettano pienamente le normative vigenti sulla sicurezza. Ciò nonostante, un'installazione e una programmazione errata possono causare gravi ferite alle persone che eseguono il lavoro e a quelle che useranno l'impianto. Per questo motivo, durante l'installazione, è importante seguire attentamente tutte le istruzioni riportate in questo manuale. Non procedere con l'installazione se si hanno dubbi di qualunque natura e richiedere eventuali chiarimenti al Servizio Assistenza Moovo.

Se questa è la prima volta che vi apprestate a realizzare un'automazione per cancelli o portoni ad ante battenti, vi consigliamo di dedicare un po' del vostro tempo alla lettura del presente manuale. Ciò è preferibile farlo prima di iniziare il lavoro, senza avere fretta di iniziare con le operazioni pratiche.

Inoltre, tenere a portata di mano tutti i dispositivi che compongono il prodotto affinché possiate leggere, provare e verificare (ad esclusione delle fasi di programmazione) tutte le informazioni contenute nel manuale.

Nel leggere questo manuale occorre prestare molta attenzione alle istruzioni contrassegnate con il simbolo:



Questi simboli indicano argomenti che possono essere fonte potenziale di pericolo e pertanto, le operazioni da svolgere devono essere realizzate esclusivamente da personale qualificato ed esperto, nel rispetto delle presenti istruzioni e delle norme di sicurezza vigenti sul proprio territorio.

⚠ AVVERTENZE PER L'INSTALLAZIONE

Secondo la più recente legislazione europea, la realizzazione di una porta o di un cancello automatico deve rispettare le norme previste dalla Direttiva 98/37/CE (Direttiva Macchine) e in particolare, le norme EN 12445; EN 12453; EN 12635 e EN 13241-1, che consentono di dichiarare la presunta conformità dell'automazione.

In considerazione di ciò,

il collegamento definitivo dell'automatismo alla rete elettrica, il collaudo dell'impianto, la sua messa in servizio e la manutenzione periodica devono essere eseguiti da personale qualificato ed esperto, rispettando le istruzioni riportate nel riquadro "Attività riservate ad un tecnico qualificato". Inoltre, egli dovrà farsi carico di stabilire anche le prove previste in funzione dei rischi presenti e dovrà verificare il rispetto di quanto previsto da leggi, normative e regolamenti: in particolare, il rispetto di tutti i requisiti della norma EN 12445 che stabilisce i metodi di prova per la verifica degli automatismi per cancelli.

Invece, riguardo i lavori di predisposizione iniziale, d'installazione e di programmazione, questi possono essere effettuati anche da personale non particolarmente qualificato, purché vengano rispettate scrupolosamente e nell'ordine progressivo indicato, tutte le istruzioni riportate in questo manuale e, in particolare, le avvertenze di questo PASSO 1.

Prima di iniziare l'installazione, effettuare le seguenti analisi e verifiche:

- verificare che i singoli dispositivi destinati all'automazione siano adatti all'impianto da realizzare. Al riguardo, controllare con particolare attenzione i dati riportati nel capitolo "Caratteristiche tecniche". Non effettuare l'installazione se anche uno solo di questi dispositivi non è adatto all'uso.
- verificare se i dispositivi presenti nel kit sono sufficienti a garantire la sicurezza dell'impianto e la sua funzionalità.

– eseguire l'analisi dei rischi che deve comprendere anche l'elenco dei requisiti essenziali di sicurezza riportati nell' "allegato I della Direttiva Macchine", indicando le relative soluzioni adottate. Si ricorda che l'analisi dei rischi è uno dei documenti che costituiscono il "fascicolo tecnico" dell'automazione. Questo dev'essere compilato da un installatore professionista.

Considerando le situazioni di rischio che possono verificarsi durante le fasi di installazione e di uso del prodotto è necessario installare l'automazione osservando le seguenti avvertenze:

– non eseguire modifiche su nessuna parte dell'automatismo se non quelle previste nel presente manuale. Operazioni di questo tipo possono solo causare malfunzionamenti. Il costruttore declina ogni responsabilità per danni derivanti da prodotti modificati arbitrariamente.

– evitare che le parti dei componenti dell'automazione possano venire immerse in acqua o in altre sostanze liquide. Durante l'installazione evitare che i liquidi possano penetrare all'interno dei motoriduttori e dei dispositivi presenti.

– se sostanze liquide penetrano all'interno delle parti dei componenti dell'automazione, scollegare immediatamente l'alimentazione elettrica e rivolgersi al Servizio Assistenza Moovo. L'utilizzo dell'automazione in tali condizioni può causare situazioni di pericolo.

– non mettere i vari componenti dell'automazione vicino a fonti di calore né esporli a fiamme libere. Tali azioni possono danneggiarli ed essere causa di malfunzionamenti, incendio o situazioni di pericolo.

– tutte le operazioni che richiedono l'apertura del guscio di protezione dei vari componenti dell'automazione, devono avvenire con la Centrale scollegata dall'alimentazione elettrica. Se il dispositivo di sconnessione non è a vista, apporvi un cartello con la seguente dicitura: "ATTENZIONE! MANUTENZIONE IN CORSO".

– il prodotto non può essere considerato un efficace sistema di protezione contro l'intrusione. Se desiderate proteggervi efficacemente, è necessario integrare l'automazione con altri dispositivi.

– la Centrale deve essere collegata ad una linea di alimentazione elettrica dotata di messa a terra di sicurezza.

– il prodotto può essere utilizzato esclusivamente dopo che è stata effettuata la "messa in servizio" dell'automazione, come previsto nel paragrafo "Collaudo e messa in servizio dell'automazione" riportato nel riquadro "Attività riservate ad un tecnico qualificato".

– Il materiale dell'imballaggio di tutti i componenti dell'automazione deve essere smaltito nel pieno rispetto della normativa presente a livello locale.

PASSO 2

2.1 – DESCRIZIONE DEL PRODOTTO E DESTINAZIONE D'USO

L'insieme dei dispositivi che compongono il presente prodotto serve ad automatizzare un cancello o un portone a due ante (fig. 1a). Inoltre, è possibile automatizzare anche cancelli o portoni con una sola anta (fig. 1b).

Qualsiasi altro uso diverso da quello descritto e in condizioni ambientali diverse da quelle riportate nel PASSO 3 è da considerarsi improprio e vietato!

La parte principale dell'automazione è composta da due motoriduttori elettromeccanici provvisti ciascuno di un motore in corrente continua a 12V e un riduttore con ingranaggi a denti dritti. In uno dei motoriduttori è presente anche una Centrale di comando.

La Centrale governa e alimenta tutti i dispositivi presenti nell'automazione gestendone la loro operatività. È formata da una scheda e un ricevitore radio incorporato che riceve i comandi inviati da un trasmettitore. Inoltre, può essere comandata anche da una tastiera a parete o da una coppia di fotocellule programmate con il solo comando di apertura.

La Centrale è in grado di gestire diversi tipi di manovre, ciascuna programmabile e utilizzabile secondo le proprie esigenze.

Inoltre, sono disponibili varie funzioni speciali che permettono di personalizzare i parametri dell'automazione.

L'automazione è predisposta per l'uso di vari accessori che ne aumentano la funzionalità e garantiscono la sicurezza. In particolare, la Centrale può memorizzare fino a 150 tasti di trasmettitori MT4; fino a 4 tastiere di comando MK o in alternativa fino a 4 coppie di fotocellule MP, impostate con il solo comando di apertura.

Il collegamento dei vari dispositivi si effettua usando il sistema "Bus". Questo sistema riduce la complessità del collegamento tra i vari dispositivi, in quanto prevede l'uso di un solo cavo fra un dispositivo e l'altro.

Il prodotto funziona tramite alimentazione elettrica di rete e, in caso di

interruzione dell'energia elettrica (*black-out*), consente di sbloccare manualmente i motoriduttori e di muovere 'a mano' le ante del cancello. È comunque possibile aprire il cancello anche sfruttando la batteria tampone (modello MB) se questa è presente nell'impianto.

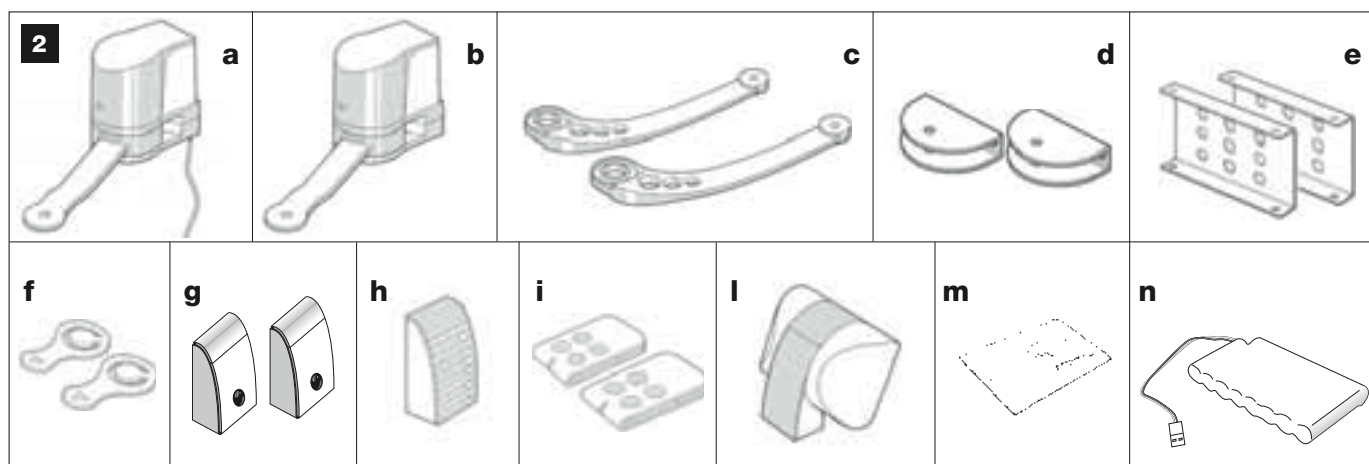
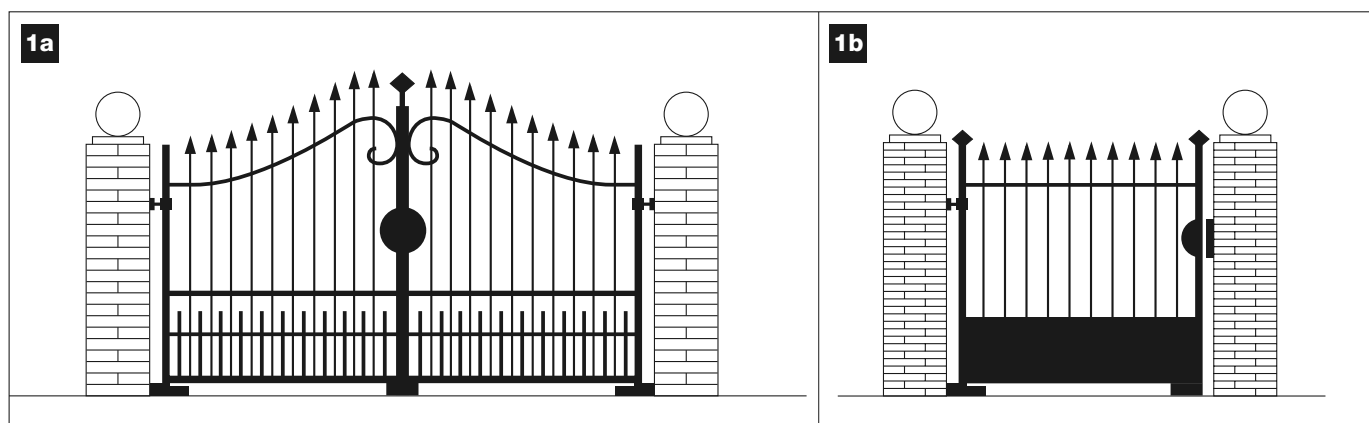
2.2 – COMPONENTI UTILI PER REALIZZARE UN IMPIANTO COMPLETO

La fig. 2 mostra tutti i componenti utili per realizzare un impianto completo, tipo quello mostrato in fig. 8.

AVVERTENZA!
Alcuni componenti riportati in fig. 2 sono opzionali e possono non essere presenti nella confezione.

Elenco dei componenti utili:

- [a] - motoriduttore elettromeccanico con Centrale
- [b] - motoriduttore elettromeccanico senza Centrale
- [c] - bracci curvi
- [d] - staffe anteriori (per fissaggio dei motoriduttori al cancello)
- [e] - supporti posteriori (per fissaggio dei motoriduttori al muro)
- [f] - chiavi per lo sblocco manuale dei motoriduttori
- [g] - coppia di fotocellule mod. MP (per parete)
- [h] - tastiera di comando mod. MK (per parete)
- [i] - trasmettitore portatile mod. MT4
- [l] - segnalatore lampeggiante mod. MF
- [m] - minuteria metallica (viti, rondelle, ecc.)
- [n] - batteria tampone mod. MB



PASSO 3

VERIFICHE PRELIMINARI ALL'INSTALLAZIONE

Prima di procedere all'installazione, è necessario verificare l'integrità dei componenti del prodotto, l'adeguatezza del modello scelto e l'idoneità dell'ambiente destinato all'installazione.

IMPORTANTE – I motoriduttori non possono automatizzare un cancello che non sia già efficiente e sicuro. Inoltre, non possono risolvere i difetti causati da una sbagliata installazione o da una cattiva manutenzione del cancello stesso.

3.1 – VERIFICARE L'IDONEITÀ DELL'AMBIENTE E DEL CANCELLO DA AUTOMATIZZARE

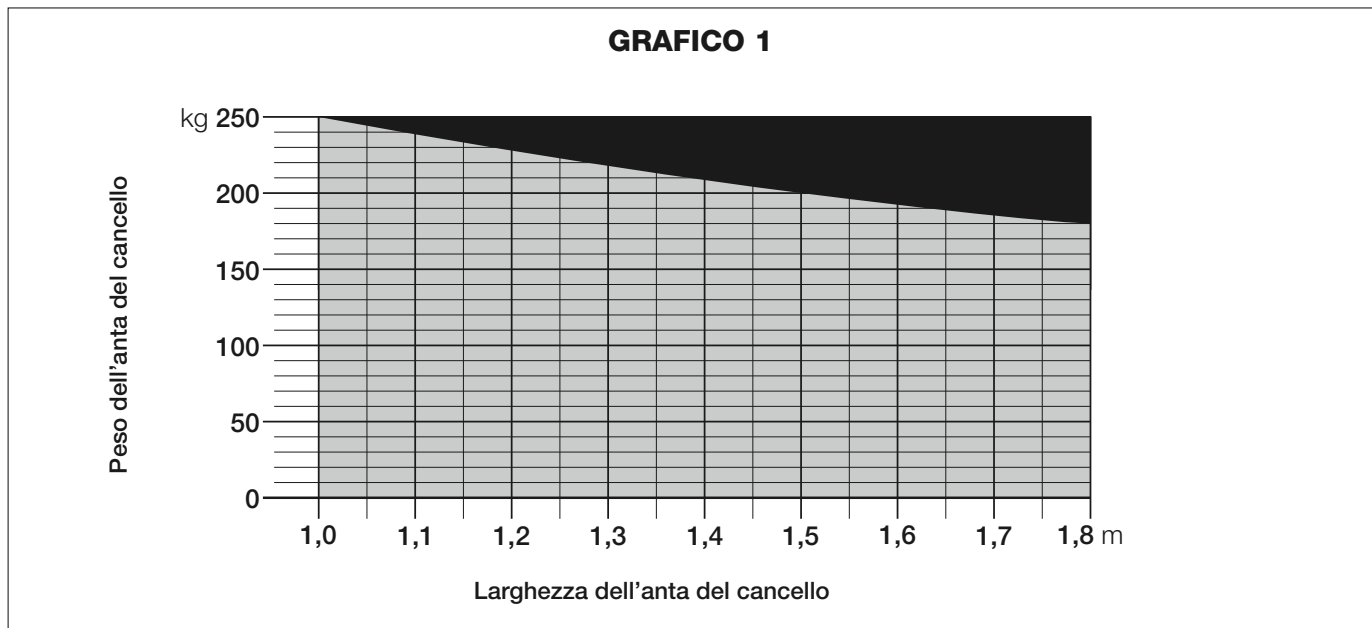
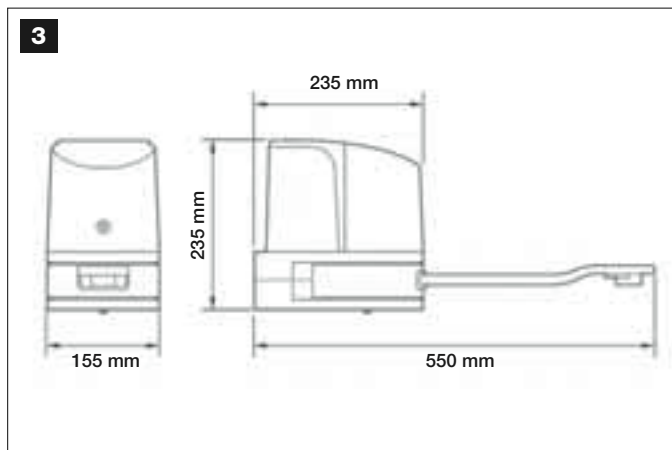
- Verificare che la struttura meccanica del cancello sia adatta ad essere automatizzata e conforme alle norme vigenti sul territorio (*eventualmente fare riferimento ai dati riportati sull'etichetta del cancello*).
- Muovendo manualmente le ante del cancello in *Apertura* e *Chiusura*, verificare che il movimento avvenga con attrito uguale e costante in ogni punto della corsa (*non devono esserci momenti di maggiore sforzo*).
- Portare manualmente le ante in una posizione qualsiasi e lasciarle ferme, verificando che queste non si muovano.
- Verificare nell'ambiente in cui verrà fissato il motoriduttore, che ci sia lo spazio sufficiente per il movimento di rotazione del braccio (**fig. 7**).
- Verificare che lo spazio intorno ai motoriduttori consenta di sbloccare manualmente le ante in modo facile e sicuro.
- Verificare che le superfici scelte per l'installazione dei vari dispositivi siano solide e possano garantire un fissaggio stabile.
- Verificare che ciascun dispositivo da installare sia collocato in una posizione protetta e al riparo da urti accidentali.
- Verificare che le superfici scelte per il fissaggio delle fotocellule siano piane e permettano un corretto allineamento tra le fotocellule stesse.

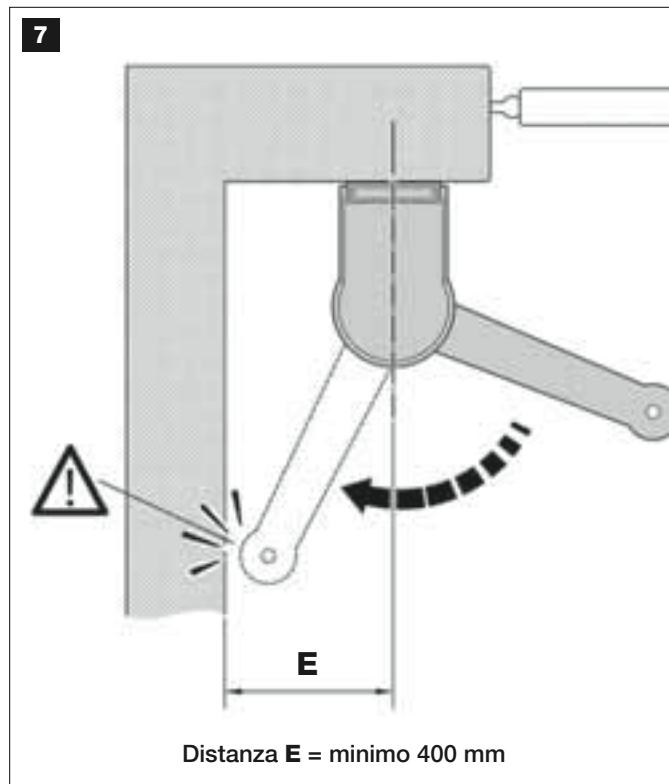
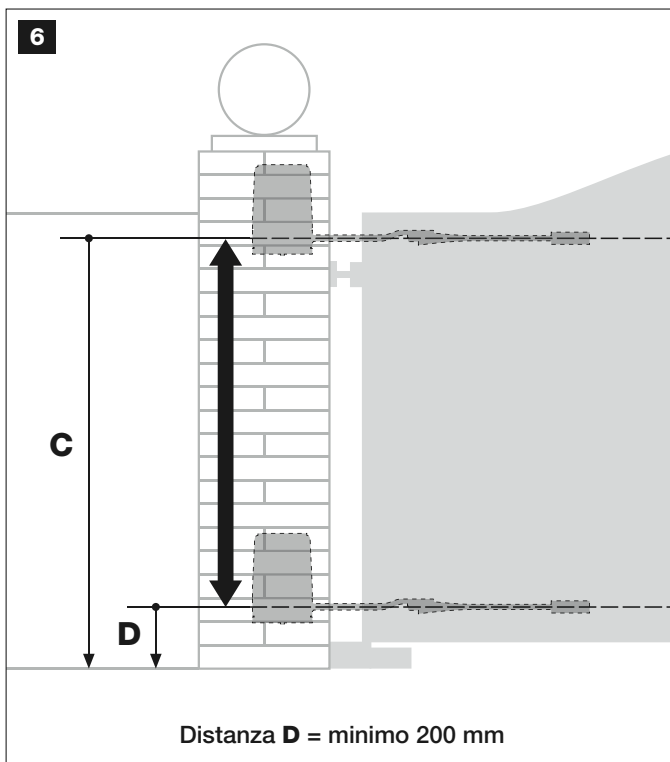
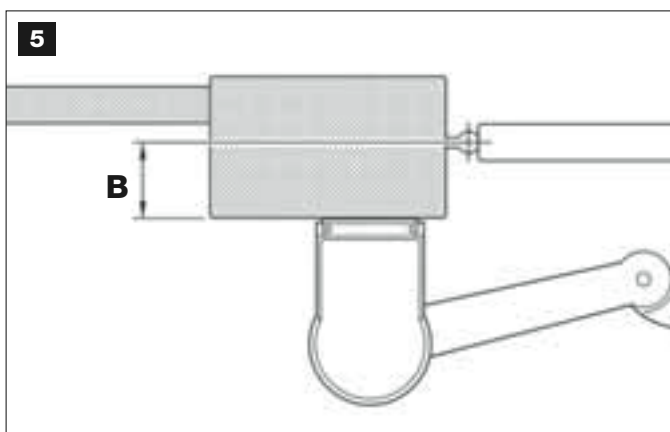
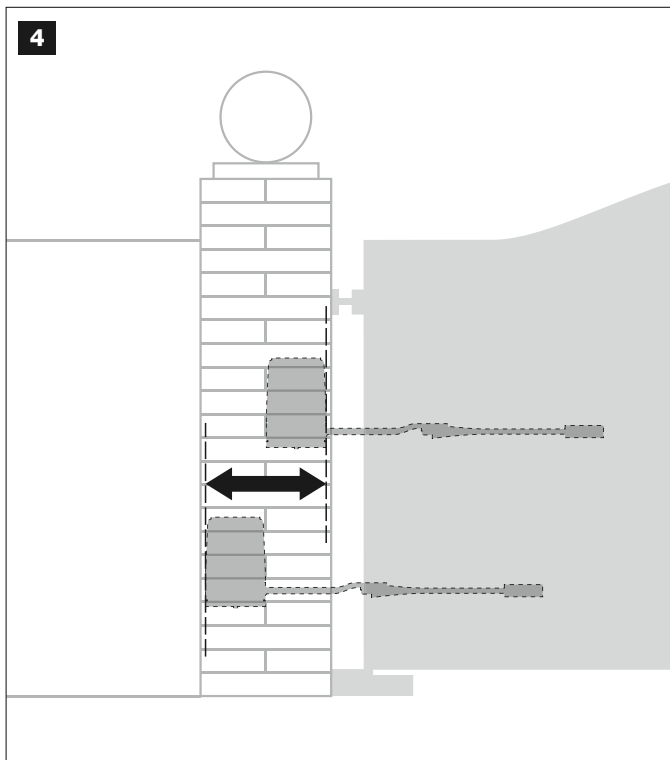
3.2 – VERIFICARE I LIMITI D'IMPIEGO DEL PRODOTTO

I motoriduttori devono essere installati fissando il loro supporto posteriore sul muro (o sul pilastro) del cancello e la staffa che regge il braccio sull'anta del cancello. Per stabilire l'idoneità del prodotto rispetto alle peculiarità del vostro cancello e alle specificità del contesto da automatizzare, è necessario effettuare le verifiche riportate di seguito e controllare la loro conformità sia con i dati presenti in questo paragrafo, sia con i dati tecnici del capitolo "Caratteristiche tecniche del prodotto".

- 1** – Verificare che le singole ante del cancello abbiano dimensioni e peso rientranti nei seguenti limiti, per questo fare riferimento al **grafico 1**:
- larghezza massima 1,80 m;
 - altezza massima 2 m;
 - peso massimo 250 kg.

- 2** – Verificare che la temperatura minima e massima dell'ambiente d'installazione rientri nei limiti di temperatura prefissati per il funzionamento del presente prodotto. Fare riferimento ai dati tecnici del capitolo "Caratteristiche tecniche del prodotto".
- 3** – Considerando la direzione dalla quale proviene la linea elettrica (se già predisposta) destinata ad alimentare l'impianto, stabilire su quale anta del cancello andrà fissato il motoriduttore con Centrale.
- 4** – Verificare su ciascuna anta e sul muro (o sul pilastro) adiacente che ci sia lo spazio sufficiente per collocare il motoriduttore, facendo riferimento alle quote indicate nelle **fig. 3-4-5-6-7** e alle seguenti note:
- a) Fig. 3:** indica le misure dell'ingombro totale del motoriduttore.
- b) Fig. 4:** indica lo spazio *in senso orizzontale*, entro il quale collocare il supporto posteriore del motoriduttore. La quota esatta in cui collocare questo supporto deve essere calcolata facendo riferimento al punto 02 del PASSO 5.
- c) Fig. 5:** indica la misura massima "B" necessaria tra il punto di rotazione dell'anta e la superficie del muro sulla quale andrà fissato il supporto posteriore del motoriduttore.
- d) Fig. 6:** indica lo spazio *in senso verticale*, entro il quale collocare il motoriduttore. La misura "D" indica la quota minima da terra (si consiglia un minimo di 200 mm da terra). La misura "C" (quota massima da terra) dipende dall'altezza della vostra anta.
- e) Fig. 7:** indica la misura minima "E" (400 mm) necessaria tra il braccio del motoriduttore e un eventuale ostacolo presente (muro, cordolo di un'aiuola, ecc.) quando l'anta è completamente aperta. **Nota** – Tale misura deve essere rilevata partendo dalla linea di mezzeria del motoriduttore.





PASSO 4

4.1 – LAVORI PRELIMINARI DI PREDISPOSIZIONE

4.1.1 – Impianto tipico di riferimento

La **fig. 8** mostra un esempio di impianto di automatizzazione realizzato con i componenti **Moovo**. Questi componenti sono posizionati e assemblati secondo uno schema tipico e usuale. I componenti usati sono i seguenti:

- a** - Motoriduttore elettromeccanico con Centrale
- b** - Motoriduttore elettromeccanico senza Centrale
- c** - Supporti posteriori (a muro)
- d** - Staffe anteriori (sull'anta)
- e** - Coppia di fotocellule (a parete)
- f** - Segnalatore lampeggiante
- g** - Tastiera di comando (a parete)
- h** - Coppia di colonnine per fotocellule
- i** - Fermi di finecorsa in *Apertura* (*Nota* – In alternativa, il movimento dell'anta può terminare contro un fermo naturale – muro, cordolo di un'aiuola, ecc. – o utilizzare il finecorsa meccanico presente nel motoriduttore)
- l** - Fermo di finecorsa in *Chiusura*

4.1.2 – Stabilire la posizione dei vari componenti

Facendo riferimento alla **fig. 8**, stabilire la posizione approssimativa in cui verrà installato ciascun componente previsto nell'impianto.

4.1.3 – Stabilire con quale schema collegare i dispositivi

Il prodotto prevede un collegamento di tipo "Bus" fra tutti i dispositivi presenti nell'impianto, mediante un cavo unico con due fili elettrici all'interno. In questo tipo di collegamento la comunicazione dei dati fra i dispositivi avviene via cavo, utilizzando un protocollo specifico denominato "**Bus-Moovo**". **Attenzione!** – *nell'impianto possono essere installati solo i dispositivi che supportano questo protocollo.*

All'interno di una rete "Bus" i dispositivi possono essere collegati utilizzando vari schemi di connessione e, in ciascun schema, ogni dispositivo diventa un nodo di questa rete. Gli schemi di connessione sono i seguenti:

- “**a stella**”: in questo schema ogni dispositivo è autonomo in quanto è collegato direttamente ai 2 morsetti del “Bus” presenti sulla Centrale.
- “**a catena**”: in questo schema un dispositivo è collegato ad un altro e quest’ultimo ad un altro ancora, come gli anelli di una catena. Quindi, solo il primo dispositivo della catena è collegato ai 2 morsetti del “Bus” presente sulla Centrale.
- “**misto**”: questo schema è formato da un misto dei due schemi descritti sopra.

Per stabilire lo schema di connessione più appropriato al collegamento di tutti i dispositivi previsti nel vostro impianto, fare riferimento all’esempio riportato in **fig. 9 / fig. 26**. In generale, si consiglia di collegare direttamente alla Centrale, come primo dispositivo, il segnalatore lampeggiante.

4.1.4 – Verificare gli attrezzi necessari per effettuare il lavoro

Prima di iniziare l’installazione del prodotto, assicurarsi di avere a disposizione tutti gli attrezzi e i materiali necessari per effettuare il lavoro (vedere esempio in **fig. 10**). Inoltre, verificare che questi siano in buone condizioni e conformi a quanto previsto dalle normative locali sulla sicurezza.

4.1.5 – Eseguire i lavori di predisposizione

Infine, effettuare i lavori di scavo delle tracce per i tubi dei cavi elettrici o, in alternativa, i lavori di posa di canaline esterne; quindi, il fissaggio nel calcestruzzo dei suddetti tubi e tutte le altre preparazioni, utili a predisporre l’ambiente alle successive operazioni di installazione.

AVVERTENZE:

- Prevedere il posizionamento del motoriduttore con la Centrale in prossimità del punto in cui si trova l’alimentazione elettrica, se è già esistente.
- Posizionare le estremità dei tubi per il passaggio dei cavi elettrici in prossimità dei punti in cui è previsto il fissaggio dei vari componenti.

Note:

- I tubi hanno lo scopo di proteggere i cavi elettrici ed evitare rotture accidentali, ad esempio in caso di urti.
- I dispositivi di comando di tipo “fisso” devono essere posizionati in vista del cancello ma lontano dalle sue parti mobili.

4.2 – PREPARAZIONE DEI CAVI ELETTRICI

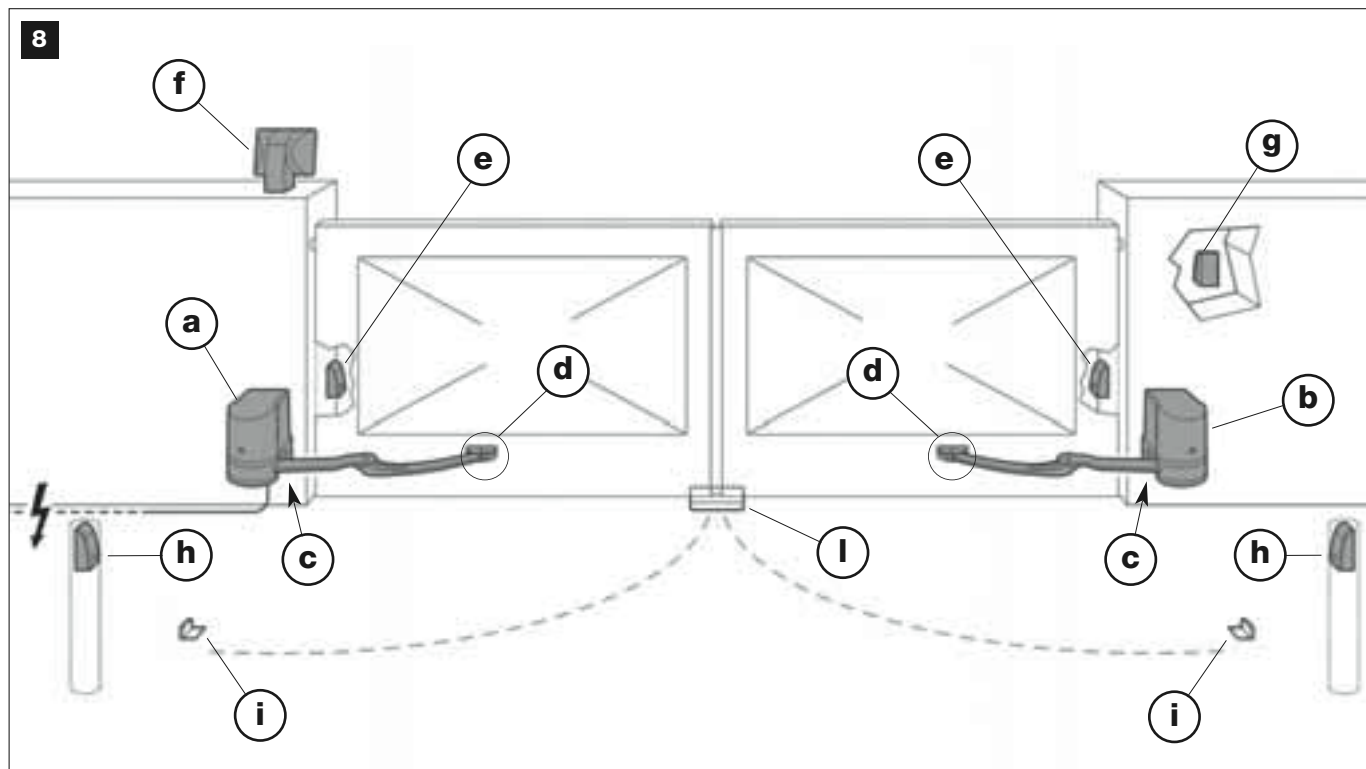
Per preparare i cavi elettrici necessari al vostro impianto, fare riferimento alla **fig. 9** e alla “**Tabella 1 - Caratteristiche tecniche dei cavi elettrici**”. Inoltre, rispettare le seguenti avvertenze:

- Nella configurazione “**a stella**”, la lunghezza del singolo cavo che collega un dispositivo alla Centrale **NON deve superare i 20 m**.

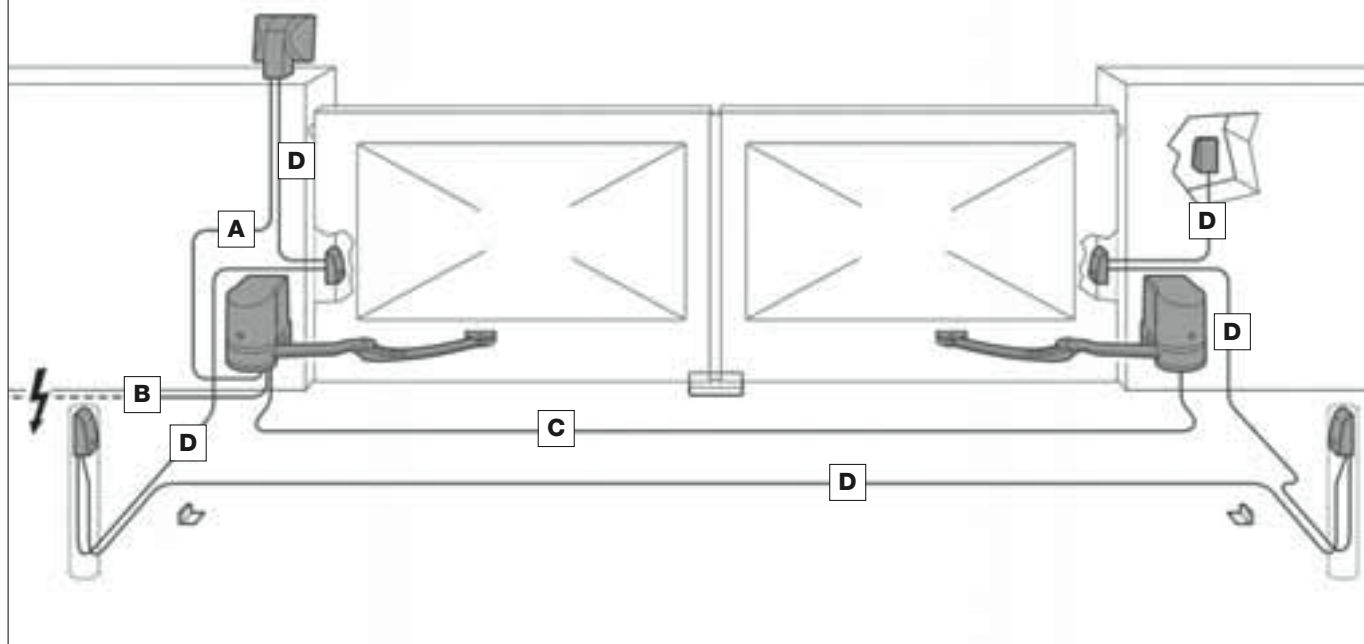
- Nella configurazione “**a catena**”, la somma della lunghezza di ciascun cavo usato per collegare un dispositivo all’altro, ed infine alla Centrale, **NON deve superare i 20 m**.

– Se tra la Centrale e il segnalatore lampeggiante vengono collegati altri dispositivi, usare per quest’ultimi lo stesso cavo usato per il segnalatore lampeggiante.

– La posa dei cavi elettrici e il loro collegamento ai vari dispositivi sono operazioni che devono essere effettuate durante l’installazione dei componenti.



9



10



TABELLA 1 - Caratteristiche tecniche dei cavi elettrici (nota 1)

Collegamento	Tipo di cavo	Lunghezza max consentita
A - Cavo LAMPEGGIANTE	Cavo 2 x 1,0 mm ²	10 m (leggere il paragrafo 4.2)
B - Cavo ALIMENTAZIONE	Cavo 3 x 1,5 mm ² (nota 2)	30 m
C - Cavo MOTORE	Cavo 3 x 1,5 mm ²	10 m
D - Cavo BUS	Cavo 2 x 0,5 mm ²	20 m (leggere il paragrafo 4.2)

Nota 1 – I cavi necessari alla realizzazione dell'impianto (non presenti nella confezione) possono variare in base alla quantità e alla tipologia dei componenti previsti nell'impianto.

Nota 2 – Se il cavo di alimentazione in dotazione non è sufficientemente lungo, sostituirlo con un cavo di questo tipo. Il lavoro deve essere effettuato da personale esperto e qualificato: vedere il riquadro "Attività riservate al tecnico qualificato".

ATTENZIONE! – I cavi utilizzati devono essere adatti al tipo di ambiente in cui avviene l'installazione; ad esempio, per ambienti esterni, si consiglia di usare cavi di tipo H07RN-F.

PASSO 5

5.1 – INSTALLARE I COMPONENTI DELL’AUTOMAZIONE

AVVERTENZE

- *Un’installazione errata può causare gravi ferite alla persona che esegue il lavoro e alle persone che useranno l’impianto.*
- *Prima di iniziare l’assemblaggio dell’automazione, fare le verifiche preliminari descritte nel PASSO 3.*

IMPORTANTE! – Le seguenti fasi di montaggio (PASSO 5) illustrano l’installazione “fisica” di un singolo motoriduttore. Se il cancello da automatizzare è del tipo a doppia anta, ripetere le stesse operazioni per installare anche l’altro motoriduttore. In particolare, per installare il motoriduttore con la Centrale consultare il PASSO 6 per stabilire su quale anta del cancello deve essere posizionato.

Fissaggio a muro del staffa posteriore del motoriduttore

Per fissare sul muro o sul pilastro del cancello la staffa posteriore del motoriduttore occorre stabilire la sua posizione in senso verticale e in senso orizzontale come segue:

– **Posizione in senso verticale (fig. 5):** seguire le indicazioni generali riportate nel PASSO 3 e nella fig. 5; quindi, individuata la posizione, tracciare con una matita una linea orizzontale sul muro (o sul pilastro).

– **Posizione in senso orizzontale (fig. 4):** per posizionare il motoriduttore in senso orizzontale utilizzare il Grafico 2, procedendo nel modo seguente:

- 01.** Determinare l’angolo di apertura massima dell’anta: portare l’anta del cancello nella posizione desiderata di massima apertura (fare attenzione all’avvertenza 4-d del PASSO 3.2) e misurare i gradi dell’angolo di apertura dell’anta, utilizzando la figura del goniometro riportata nell’ultima pagina del manuale. Quindi, individuare ed evidenziare sul Grafico 2 l’area in colore grigio corrispondente al vostro angolo.
- 02.** Determinare la quota B e la quota A: Facendo riferimento alla fig. 11 misurare nel vostro contesto la quota B. Questa quota è la distanza che c’è tra il fulcro di rotazione dell’anta del cancello e la superficie dove verrà fissata la staffa posteriore. Quindi evidenziare sul grafico la quota B appena trovata e tracciare, a partire da questa, una linea orizzontale fino ad intersecare l’area dell’angolo trovato al punto precedente. In questa area la linea tracciata determina 2 punti, quindi, a partire da ciascuno di questi, tracciare una linea verticale indirizzata verso l’alto fino ad intersecare la retta delle quote A. L’area determinata da queste linee indica la

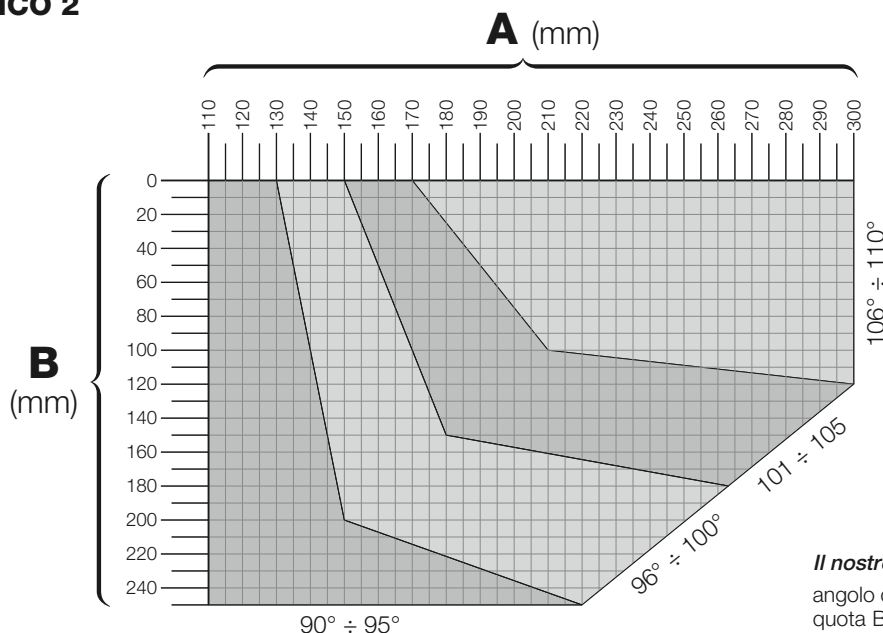
quota A, cioè le possibili misure utilizzabili per il fissaggio della staffa posteriore.

- 03.** A questo punto, segnare sul muro (o sul pilastro) la quota trovata e tracciare infine una linea verticale passante per questo punto. Quindi, facendo riferimento alle linee segnate sul muro, posizionare la staffa posteriore sulla superficie nella posizione prevista e, con una matita, tracciare i punti di foratura.
- 04.** Forare il muro con un trapano, inserire i tasselli (minimo 8 mm; non in dotazione) e fissare il supporto utilizzando viti e rondelle opportune (fig. 12). **Importante** – Controllare che la staffa sia perfettamente in bolla; un motoriduttore fuori asse può provocare malfunzionamenti all’automazione (fig. 13 e 14).
Nota – Le viti necessarie al fissaggio della staffa sul muro non sono comprese nella confezione, in quanto, la loro tipologia dipende dal materiale e dallo spessore del muro nel quale devono essere inserite.
- 05.** Togliere il finecorsa meccanico posizionato sulla faccia inferiore del motoriduttore, con una chiave da 13 mm (fig. 15): allentare e svitare il dado autobloccante della vite del finecorsa meccanico.
- 06.** Inserire la parte posteriore del motoriduttore nell’apposito spazio della staffa di fissaggio, facendo attenzione a far coincidere i fori presenti sul motore con quelli sulla staffa (fig. 16).
- 07.** Sorreggere il motoriduttore con una mano e con l’altra inserire nei fori le due viti in dotazione. **Nota** – Se le viti non si inseriscono facilmente, utilizzare un martello e un cacciavite a tubo per inserirle completamente (vedere fig. 17). Quindi, fissare le viti con gli appositi dadi; per fare questo utilizzare una chiave a brugola per tenere ferma la testa della vite e un cacciavite a tubo (da 10 mm), con ingombro esterno non superiore a 14,5 mm, per avvitare il dado.

- 08.** A questo punto, fissare il braccio curvo al motoriduttore. **IMPORTANTE!** – Il braccio deve essere posizionato con la curvatura rivolta verso l’anta del cancello. Quindi, innestare la testa della “prolunga” del motoriduttore nel foro del braccio curvo e fissare il tutto con vite, rondella e dado in dotazione (fig. 18).
- 09.** Per fissare la staffa di attacco all’anta del cancello procedere nel modo seguente:

- Inserire la staffa all’estremità del braccio curvo facendo coincidere i rispettivi fori e inserire il perno in dotazione (senza il benzing d’arresto - fig. 19).
- Sbloccare il motoriduttore con l’apposita chiave (fare riferimento al capitolo “Bloccare o Sbloccare manualmente il motoriduttore” presente nel “Manuale per l’utilizzo”).
- Portare l’anta del cancello nella posizione di massima Chiusura desiderata e distendere il braccio fino alla sua massima estensione (fig. 20). Quindi, avvicinare quest’ultimo all’anta fino a far aderire completamente a questa la staffa di fissaggio.
- A questo punto, tracciare, con una matita, i punti di foratura e procedere a forare l’anta con un trapano.

GRAFICO 2



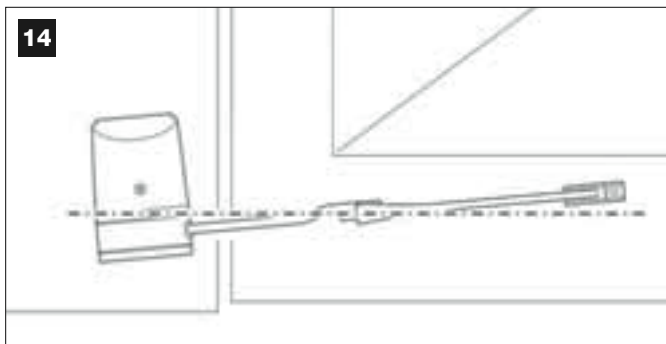
Il nostro esempio:

angolo di massima apertura dell’anta = 98°; quota B = 120 mm; la quota A risulta utilizzabile da 142 mm a 174 mm.

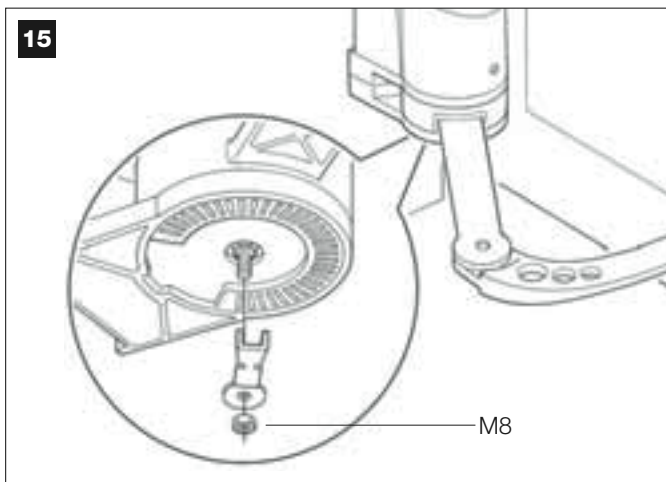
Nota – Le viti necessarie al fissaggio della staffa sull'anta del cancello non sono comprese nella confezione, in quanto, la loro tipologia dipende dal materiale e dallo spessore del cancello o del portone nel quale devono essere inserite.

10. Staccare la staffa dal braccio del motoriduttore e fissarla all'anta del cancello. **Importante** – Controllare che la staffa sia perfettamente in bolla.
11. Fissare alla staffa il braccio del motoriduttore inserendo il **perno e il benzing d'arresto in dotazione**.
12. **ATTENZIONE!** – Se nel vostro ambiente d'installazione non sono presenti dei fermi meccanici posizionati a terra fare riferimento al PASSO 5.2.
13. Infine, sempre con il motoriduttore sbloccato, portare manualmente le due ante del cancello nella posizione indicata in **fig. 21** e bloccare il motoriduttore con l'apposita chiave (fare riferimento al capitolo "**Bloccare o Sbloccare manualmente il motoriduttore**" presente nella sezione "DOCUMENTAZIONE TECNICA"). A questo punto, con un leggero movimento spostare l'anta del cancello di pochi centimetri nella direzione di massima *Apertura*, fino ad udire uno scatto.
14. Se il cancello da automatizzare è di tipo a doppia anta, ripetere le stesse operazioni descritte in questo PASSO 5 per installare anche l'altro motoriduttore.

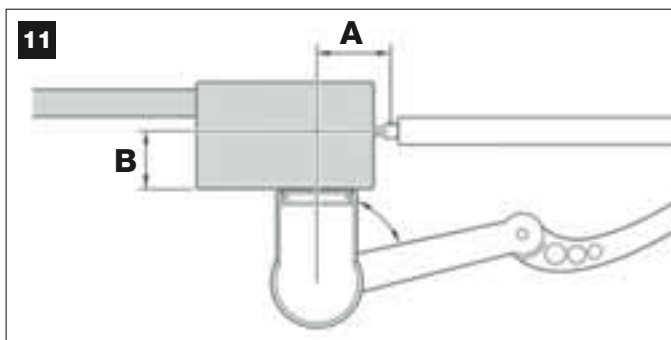
14



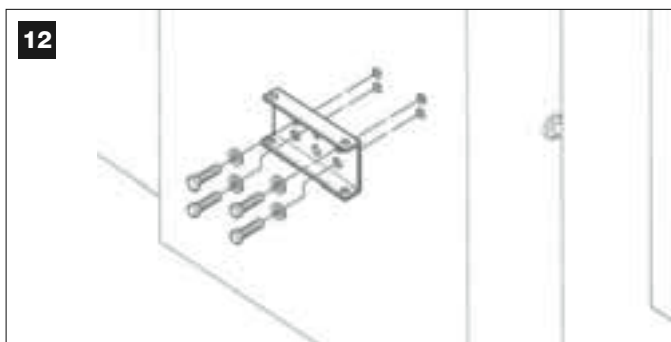
15



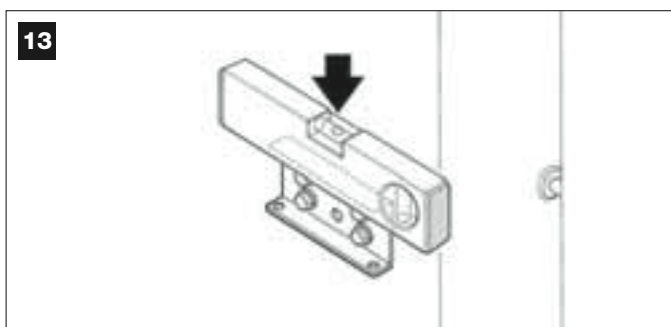
11



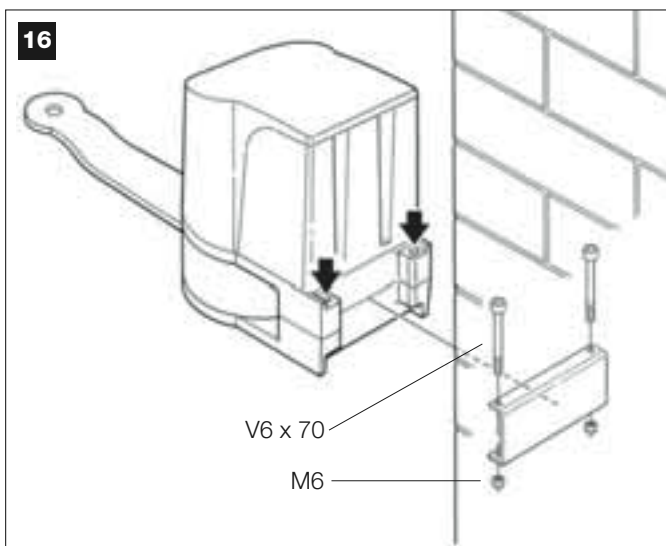
12



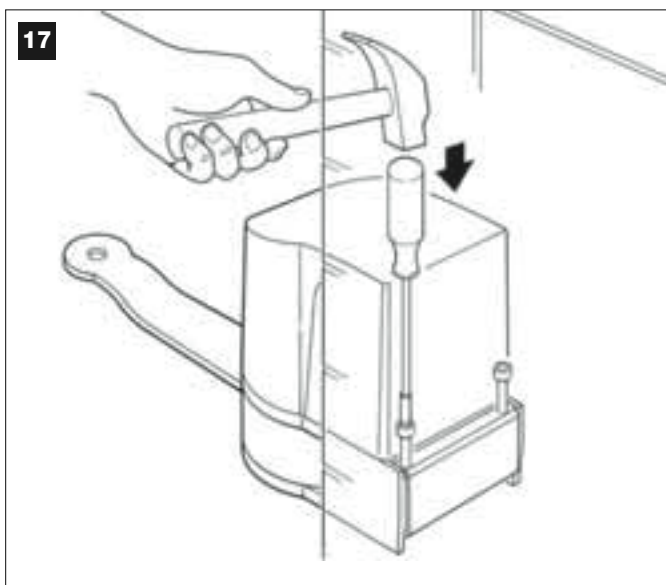
13

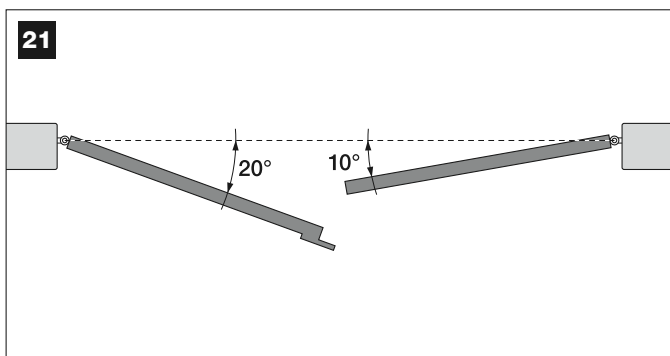
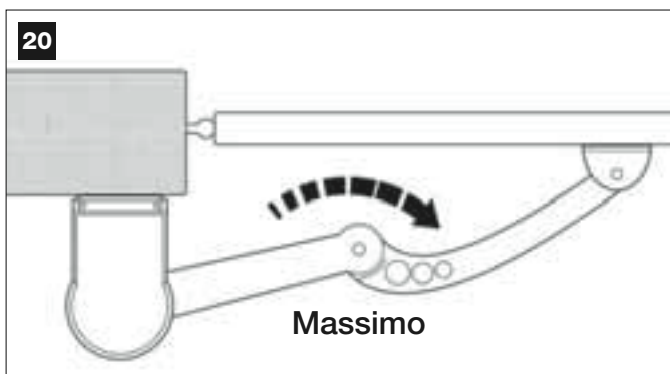
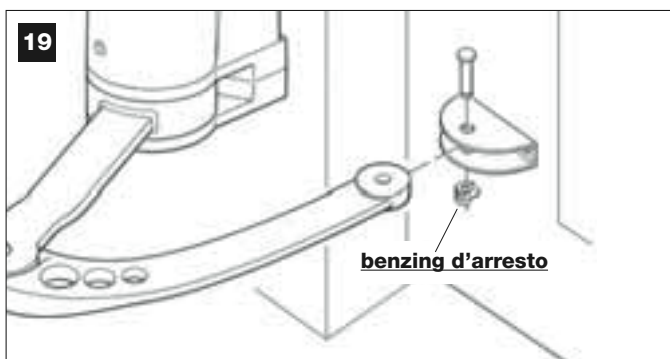
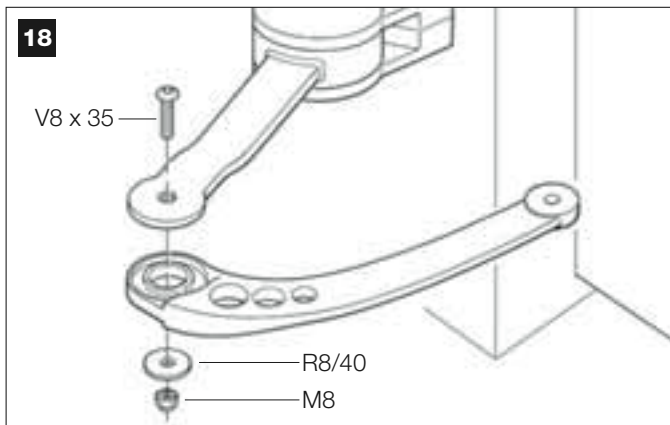


16



17





5.2 – REGOLAZIONE DEL FINECORSA MECCANICO IN APERTURA

Se nel vostro ambiente d'installazione non sono presenti dei fermi meccanici posizionati a terra, pensati per fermare le ante del cancello alla fine del loro movimento di *Apertura*, è necessario regolare il finecorsa meccanico sulla faccia inferiore di ciascun motoriduttore, nel modo seguente:

01. Con il motoriduttore sbloccato, portare manualmente l'anta nella posizione di *Apertura*.
02. Individuare il punto di mezzeria (asse) del braccio del motoriduttore ed evidenziarlo con un pezzo di nastro adesivo posizionato nella parte fissa del motoriduttore, sopra il braccio (fig. 22).
03. A questo punto, chiudere l'anta del cancello.

04. Per facilitare il fissaggio del finecorsa meccanico, consigliamo di aggiungere un pezzo di nastro adesivo, fino ad arrivare alla base del motoriduttore, come mostrato in fig. 23.

05. Posizionare il finecorsa meccanico nel modo seguente: se si sta operando sul motoriduttore che muove l'anta sinistra, il finecorsa meccanico dovrà essere fissato alla sinistra del nastro adesivo, adiacente ad esso; viceversa se si sta operando sul motoriduttore di destra il finecorsa meccanico dovrà essere fissato alla destra del nastro adesivo, adiacente ad esso (fig. 24). Quindi, fissarlo con il suo dado autobloccante (fig. 25).

06. A questo punto, muovendo manualmente l'anta del cancello, verificare se quest'ultima si ferma esattamente nella posizione di massima *Apertura* desiderata. Se così non fosse, spostare il finecorsa meccanico di uno o due "dentini"; e verificare nuovamente la posizione di massima *Apertura*.

07. Infine, sempre con il motoriduttore sbloccato, portare manualmente l'anta del cancello a circa metà della sua corsa e bloccare il motoriduttore con l'apposita chiave (fare riferimento al capitolo "Bloccare o Sbloccare manualmente il motoriduttore" presente nel Manuale per l'utilizzo). A questo punto, con un leggero movimento spostare l'anta del cancello di pochi centimetri nella direzione di massima apertura fino ad udire uno scatto.



PASSO 6

EFFETTUARE L'INSTALLAZIONE E IL COLLEGAMENTO DEI DISPOSITIVI PREVISTI NELL'IMPIANTO

Installare e collegare i dispositivi previsti nell'impianto, facendo riferimento ai PASSI successivi e all'esempio di **fig. 26**.

ATTENZIONE! - Un collegamento errato può provocare guasti o situazioni di pericolo; quindi, rispettare scrupolosamente i collegamenti indicati.

Per accedere alla Centrale di comando, togliere il coperchio del motoriduttore con la Centrale procedendo nel modo seguente (vedere la figura a lato):

a) Svitare la vite posta sulla parte superiore del coperchio, utilizzando un cacciavite a stella.

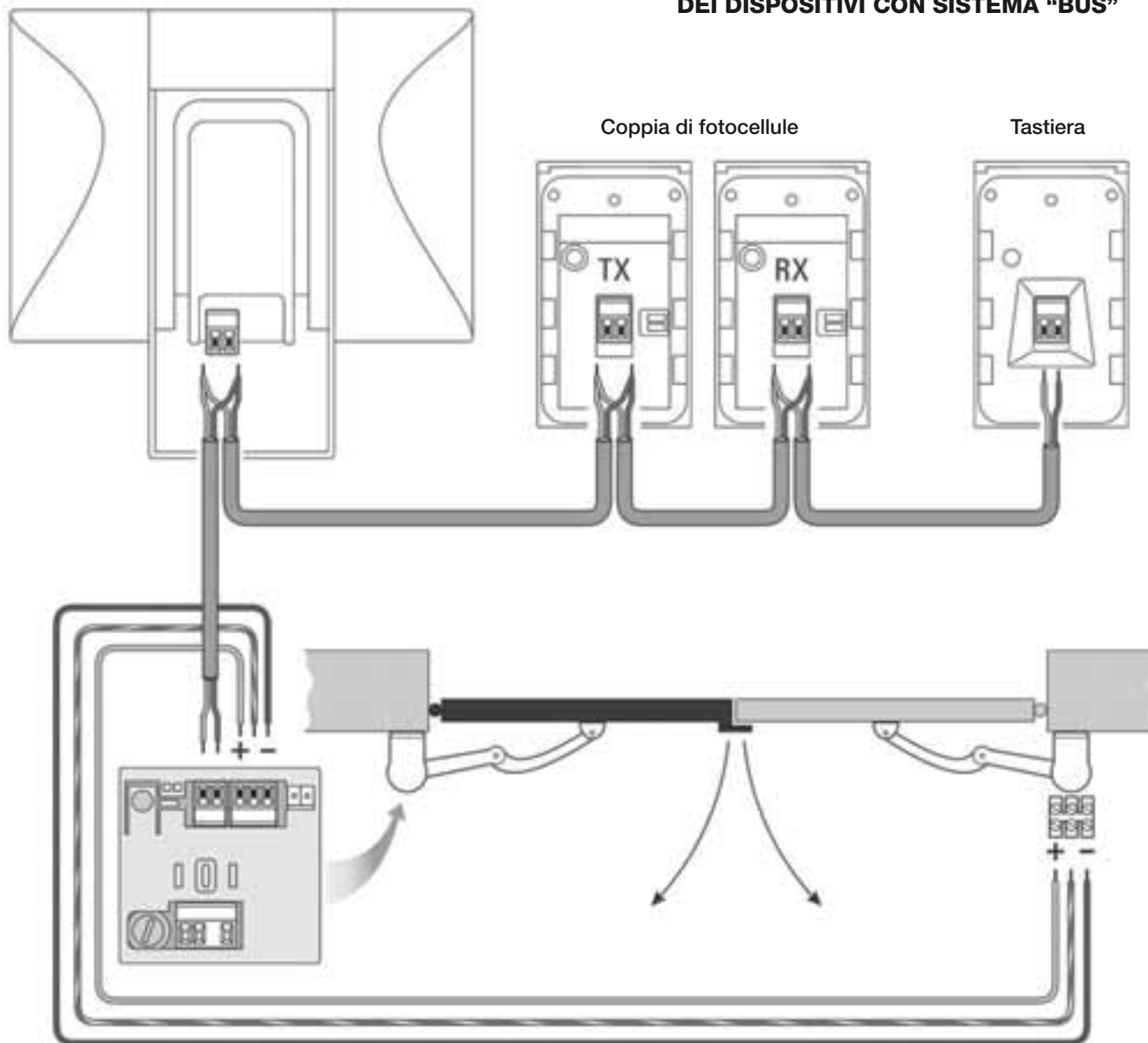
b) Posizionare due dita sulle due cavità presenti sulla parte posteriore del motoriduttore e alzare il coperchio tirandolo verso l'alto; facendo "perno" sulla base su cui si appoggia quest'ultimo.



26

Lampeggiante

SCHEMA DI COLLEGAMENTO DEI DISPOSITIVI CON SISTEMA "BUS"



6.1 – IMPOSTARE L'ORDINE DI APERTURA DELLE ANTE DEL CANCELLO

Per impostare correttamente nella **Centrale di comando** l'ordine con il quale devono aprirsi le ante del vostro cancello, identificare fra le seguenti configurazioni quella che corrisponde al vostro impianto e procedere come indicato.
Per effettuare le operazioni indicate può essere utile rimuovere la Centrale dalla sua sede operando come descritto nel riquadro **"Come estrarre la Centrale di comando del motoriduttore"**.

Caso A: non c'è nessuna modifica da effettuare.



Caso B: (sulla Centrale) è necessario operare nel modo seguente:

- individuare il ponticello elettrico **"Sel"** e spostarlo dalla sua posizione originale di **fig. 27** nella posizione indicata in **fig. 28**
- invertire la posizione dei fili sulla morsettiera contraddistinta **"Motor 2"** (**fig. 29**).
- invertire la posizione dei fili sulla morsettiera contraddistinta **"Motor 1"** (**fig. 30**).



Caso C:

- (sulla Centrale) è necessario individuare il ponticello elettrico **"Sel"** e spostarlo dalla sua posizione originale di **fig. 27** nella posizione indicata in **fig. 28**



Caso D: (sulla Centrale) è necessario operare nel modo seguente:

- invertire la posizione dei fili sulla morsettiera contraddistinta **"Motor 2"** (**fig. 29**).
- invertire la posizione dei fili sulla morsettiera contraddistinta **"Motor 1"** (**fig. 30**).

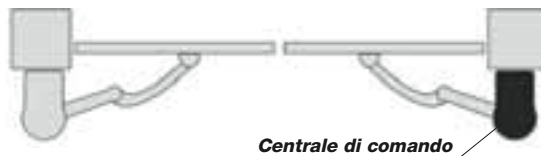


Caso E: non c'è nessuna modifica da effettuare.



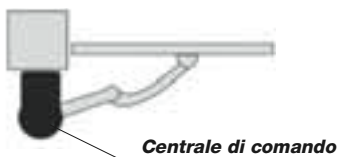
Caso F: (sulla Centrale) è necessario operare nel modo seguente:

- invertire la posizione dei fili sulla morsettiera contraddistinta **"Motor 2"** (**fig. 29**).
- invertire la posizione dei fili sulla morsettiera contraddistinta **"Motor 1"** (**fig. 30**).



Caso G: per automatizzare un cancello o un portone con una sola anta, dove il motoriduttore con Centrale è posizionato a sinistra, procedere nel modo seguente:

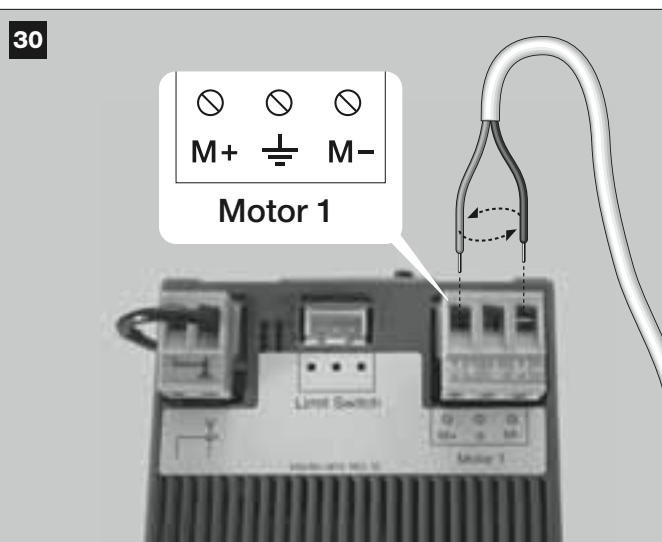
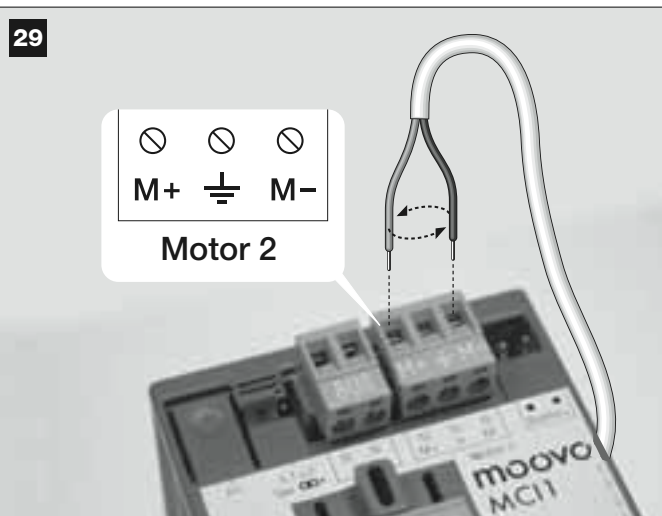
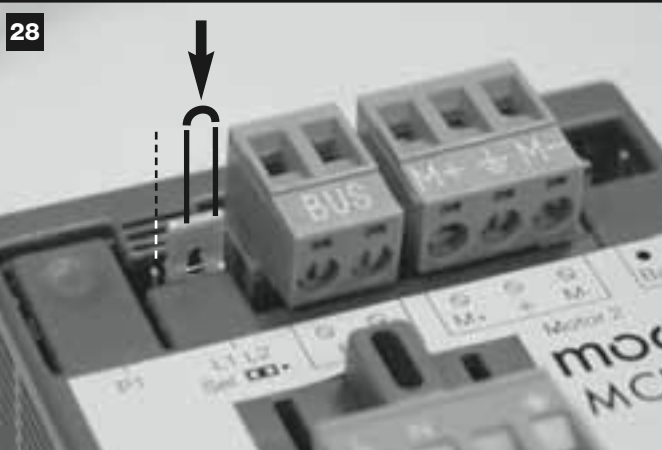
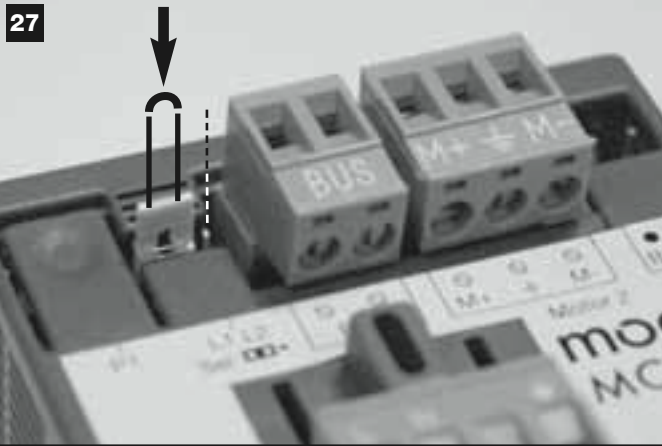
- (sulla Centrale) è necessario individuare il ponticello elettrico **"Sel"** e spostarlo dalla sua posizione originale di **fig. 27** nella posizione indicata in **fig. 28**



Caso H: per automatizzare un cancello o un portone con una sola anta, dove il motoriduttore con Centrale è posizionato a destra, procedere nel modo seguente:

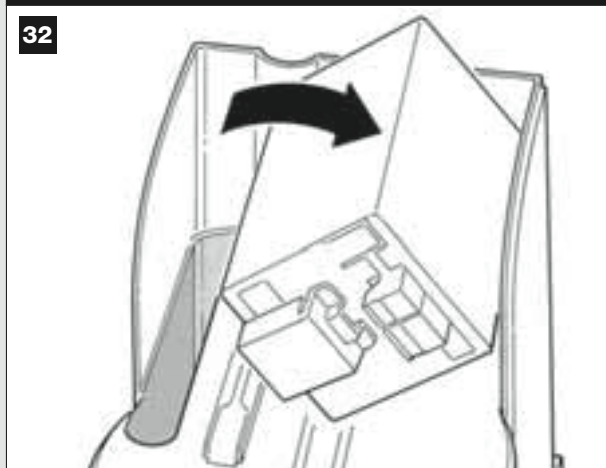
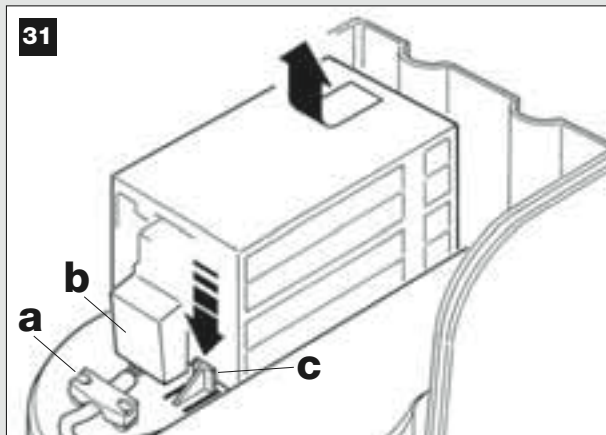
- (sulla Centrale) è necessario individuare il ponticello elettrico **"Sel"** e spostarlo dalla sua posizione originale di **fig. 27** nella posizione indicata in **fig. 28**
- (sulla Centrale) invertire la posizione dei fili sulla morsettiera contraddistinta **"Motor 1"** (**fig. 30**).



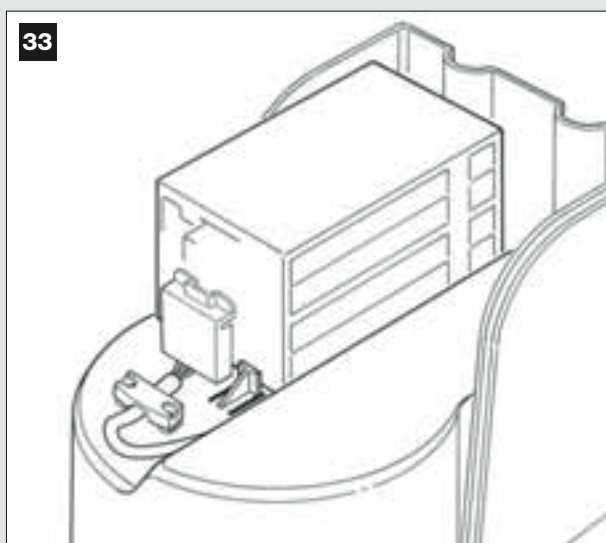


COME ESTRARRE LA CENTRALE DI COMANDO DAL MOTORIDUTTORE

01. Utilizzando un cacciavite a stella, svitare le viti del fermacavo (fig. 31-a) e il coperchio della morsettiere (fig. 31-b) per facilitare lo spostamento della Centrale dalla sua sede.
02. Fig. 31-32: premere con un dito l'aletta (fig. 31-c) che blocca la Centrale; con l'altra mano, estrarre la Centrale dalla sua sede spingendola in avanti e contemporaneamente verso l'alto per sganciarla dalla guida.



03. Fig. 33: dopo aver effettuato il lavoro, rimettere la Centrale nella sua sede nel modo seguente:
a) posizionare la Centrale sopra l'aletta (fig. 31-c) e, spingendola verso il basso tirarla indietro, fino ad udire uno scatto. Infine rimettere il coperchio alla morsettiere e il fermacavo.



6.2 – INSTALLARE E COLLEGARE IL MOTORIDUTTORE SENZA CENTRALE

Se il vostro impianto prevede l'uso di due motoriduttori, collegare il motoriduttore senza Centrale a quello in cui è presente la Centrale, nel modo seguente:

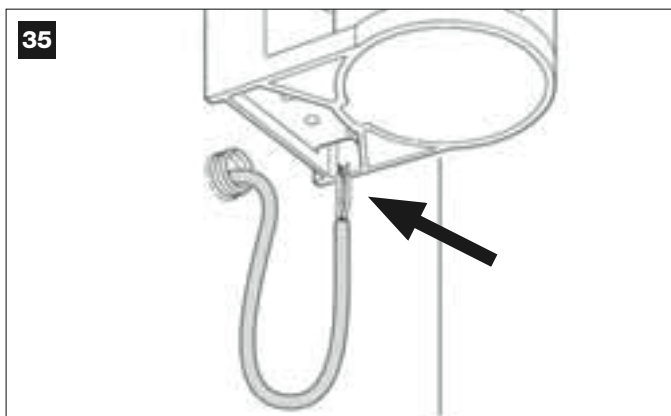
01. Fig. 34:

- Sul motoriduttore senza Centrale, svitare la vite posta sulla parte superiore del coperchio, utilizzando un cacciavite a stella.
- Posizionare due dita sulle due cavità presenti sulla parte posteriore del motoriduttore e alzare il coperchio tirandolo verso l'alto; facendo "perno" sulla base su cui si appoggia quest'ultimo.



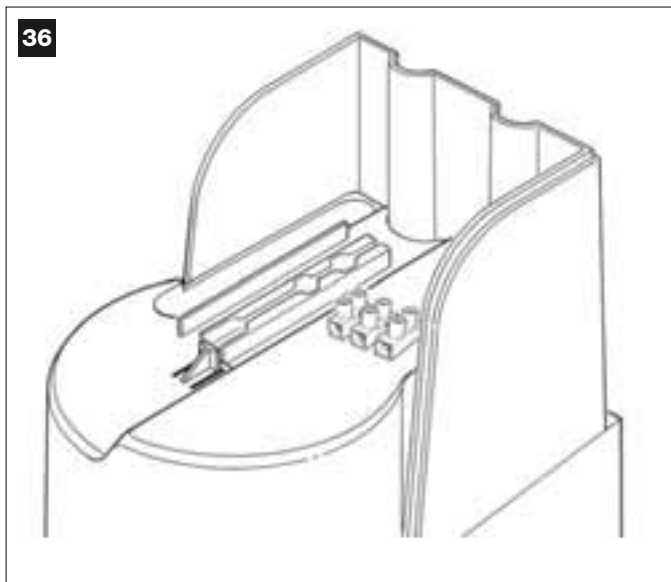
02. Fig. 35:

Inserire il cavo di collegamento nel foro presente sulla faccia inferiore del motoriduttore.



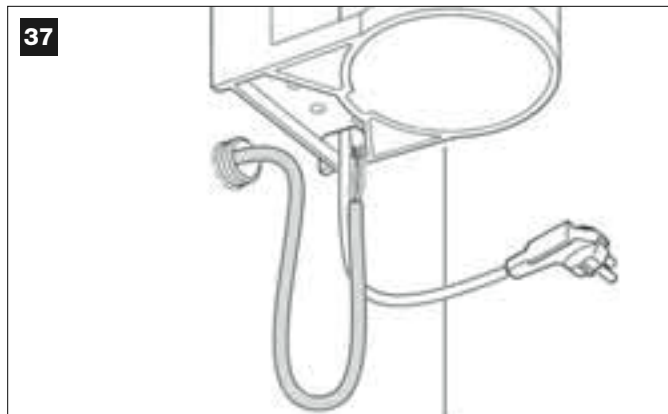
03. Fig. 36:

Collegare i fili del cavo alla morsettiera, rispettando i simboli presenti. Infine, fissare il cavo con il fermacavo.



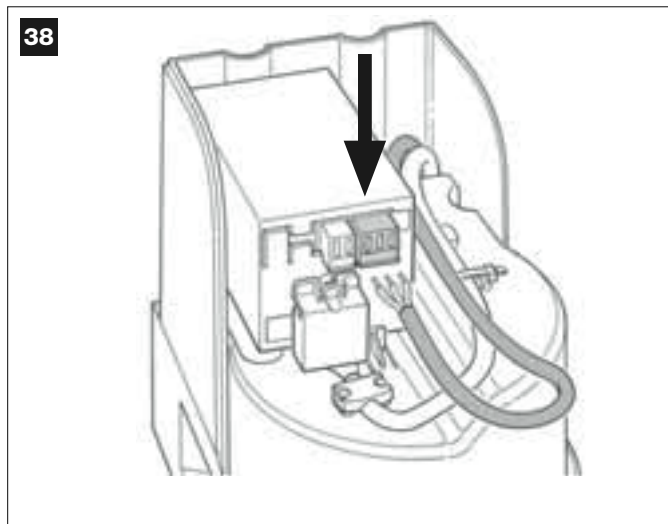
04. Fig. 37:

Sul motoriduttore con Centrale, togliere il coperchio e far passare nel foro presente sulla faccia inferiore il cavo di collegamento proveniente dall'altro motoriduttore.



05. Fig. 38:

- Estrarre dalla sua sede la morsettiera destinata all'alimentazione per poter svitare facilmente le viti dei 3 morsetti.
- procedere quindi a collegare i fili del cavo, rispettando i simboli presenti sulla morsettiera e riposizionare quest'ultima nella sua sede.

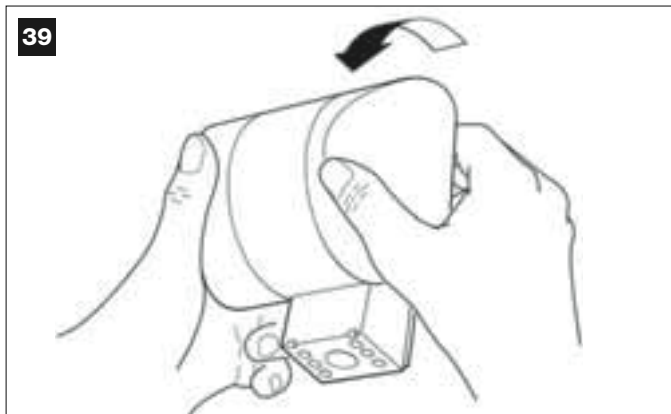


6.3 – INSTALLARE E COLLEGARE IL SEGNALATORE LAMPEGGIANTE mod. MF

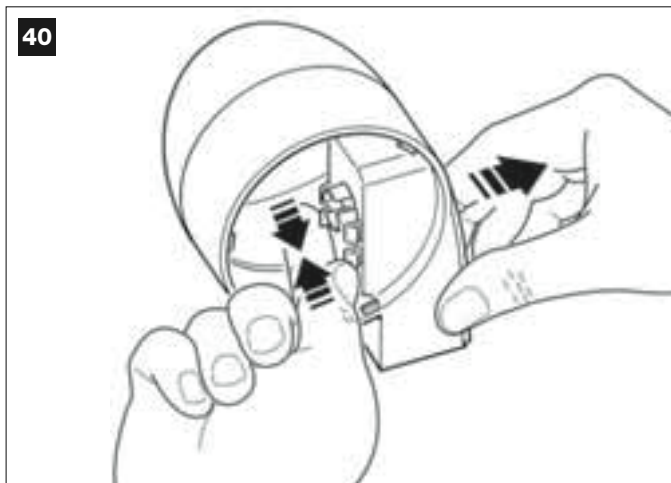
Questo dispositivo luminoso segnala l'esecuzione in atto di ciascuna manovra. Inoltre, è collegato al sistema di autodiagnosi della Centrale e in caso di anomalie di funzionamento segnala il tipo di problema attraverso predeterminate sequenze di lampeggi (vedere paragrafo "Cosa fare se...").

Per installare e collegare il segnalatore lampeggiante procedere nel modo seguente:

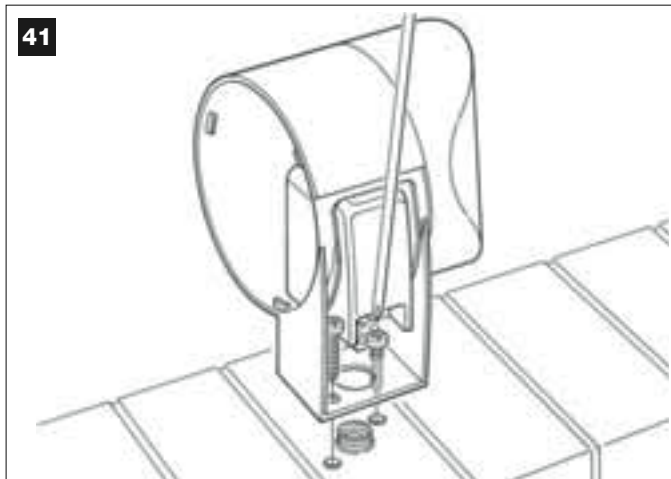
- 01. Fig. 39:**
Estrarre una delle due calotte trasparenti, girandola in senso antiorario e metterla da parte.



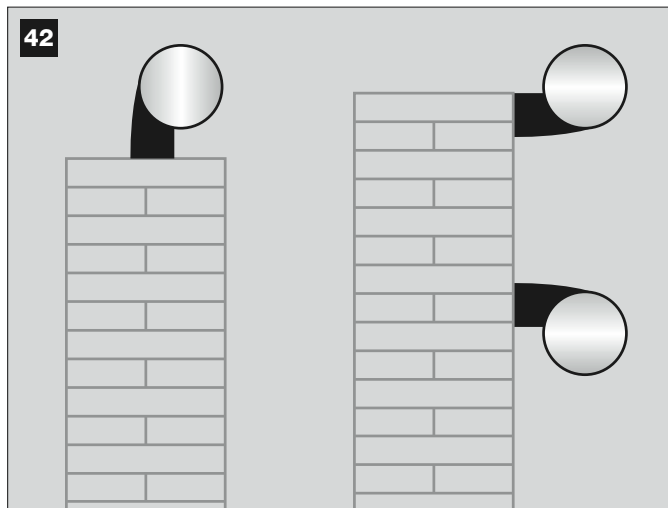
- 02. Fig. 40:**
Premere contemporaneamente, con due dita di una mano, le due linguette poste in basso e con l'altra mano estrarre il tappo esterno del lampeggiante.



- 03. Fig. 41:**
Forare con un trapano, sul fondo del corpo del lampeggiante, le parti predisposte per il fissaggio con le viti e per il passaggio dei cavi.

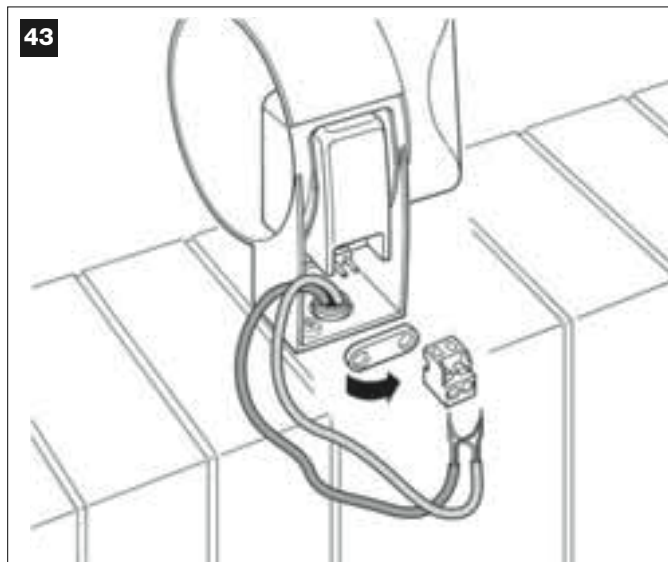


- 04. Fig. 42:**
Attenzione! – non montare il prodotto in posizioni diverse da quelle indicate.

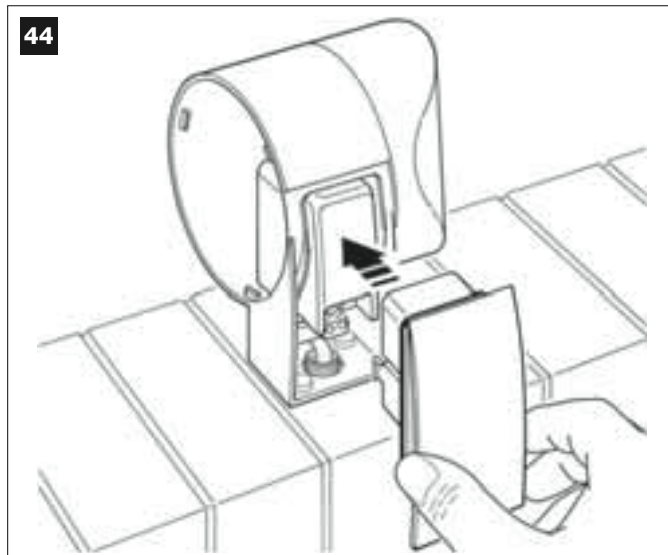


- 05.** Fissare con le apposite viti il corpo del lampeggiante al muro, facendo passare i cavi attraverso il foro predisposto.

- 06. Fig. 43:**
a) Collegare fra loro i fili dei due cavi e fissarli nella morsetteria
b) Bloccare il cavo con l'apposito fermacavo.

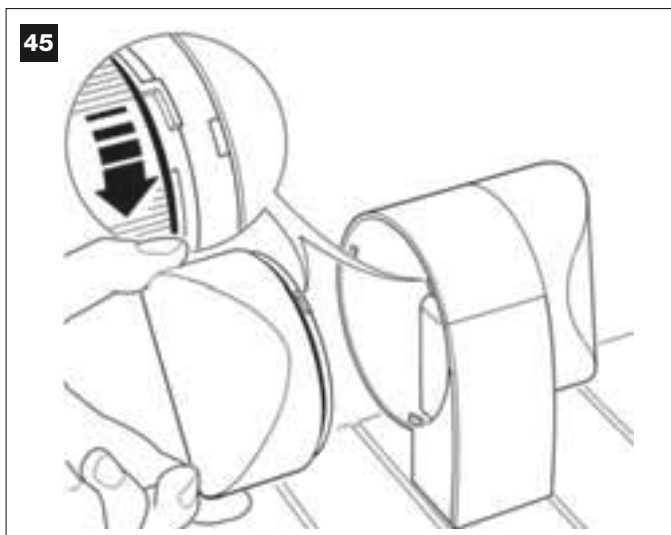


- 07. Fig. 44:**
Inserire il tappo esterno del lampeggiante nella sua sede fino a far scattare le sue linguette.

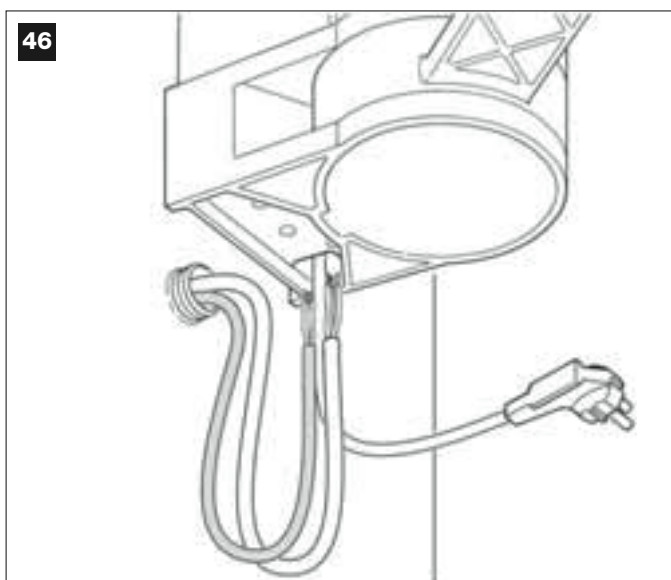


08. Fig. 45:

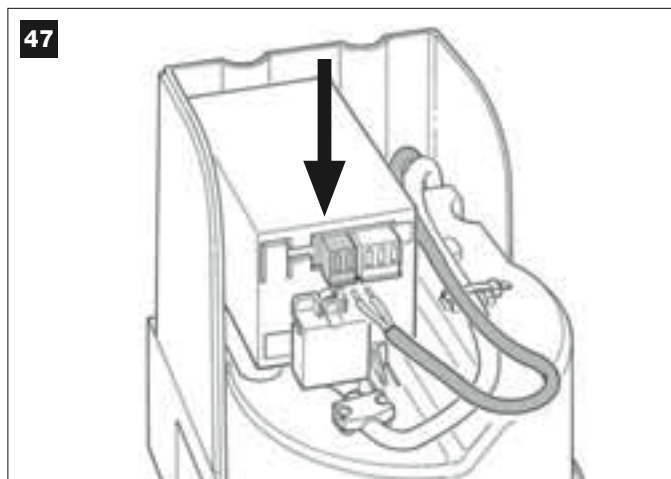
Rimettere la calotta trasparente nella sua sede e girarla in senso orario, facendo attenzione ad incastrare i dentini di quest'ultima in quelli presenti nel corpo del lampeggiante.

**09. Fig. 46:**

Sul motoriduttore con la Centrale inserire nel foro presente sulla faccia inferiore il cavo di collegamento del lampeggiante.

**10. Fig. 47:**

- a) Sulla Centrale, estrarre dalla sua sede la morsettiera destinata al collegamento BUS, per poter svitare facilmente le viti dei 2 morsetti.
- b) Procedere quindi a collegare i fili del cavo, rispettando i simboli presenti sulla morsettiera e riposizionare quest'ultima nella sua sede.
- c) Infine, stringere il passacavo per fissare il cavo al motoriduttore.



6.4 – INSTALLARE E COLLEGARE LE FOTOCELLULE mod. MP

La coppia di fotocellule è formata dalla fotocellula che trasmette (chiamata TX) e da quella che riceve (chiamata RX). TX ed RX sono identificate da un'etichetta posta all'interno del coperchio. Le fotocellule si installano ciascuna su un lato del passaggio e si collegano alla Centrale attraverso il segnalatore lampeggiante, tramite il cavo BUS.

Le fotocellule sono un dispositivo di sicurezza e permettono di rilevare gli ostacoli quando questi vengono a trovarsi sulla linea di traiettoria che le congiunge. È possibile aggiungere all'impianto fino a 6 coppie di fotocellule per la sicurezza e una coppia di fotocellule destinata invece a comandare la sola manovra di *Apertura* (per installare fotocellule aggiuntive fare riferimento al riquadro "Selezione della modalità di funzionamento della coppia di fotocellule").

Per installare e collegare una coppia di fotocellule procedere nel modo seguente:

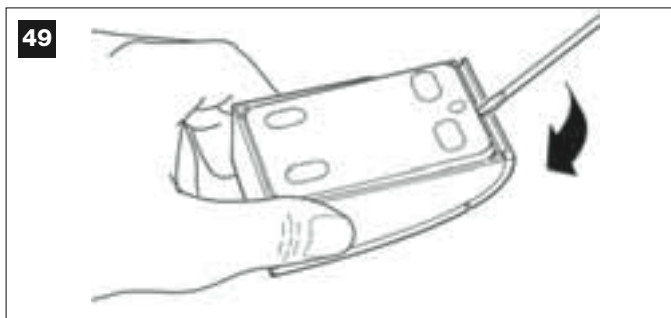
01. Fig. 48:

Togliere il tappo coprivite spingendolo di lato come mostrato nell'immagine.



02. Fig. 49:

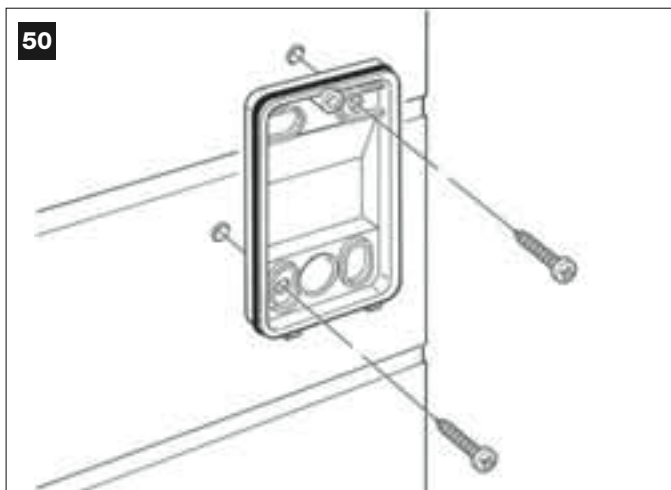
Con l'aiuto di un cacciavite, aprire e staccare il fondo della fotocellula.



03. Fig. 50:

a) Con l'aiuto di un trapano, forare sul fondo la parte predisposta per il passaggio dei cavi di collegamento.

b) Fissare il fondo della fotocellula al muro con le apposite viti, facendo passare i cavi attraverso il foro predisposto.

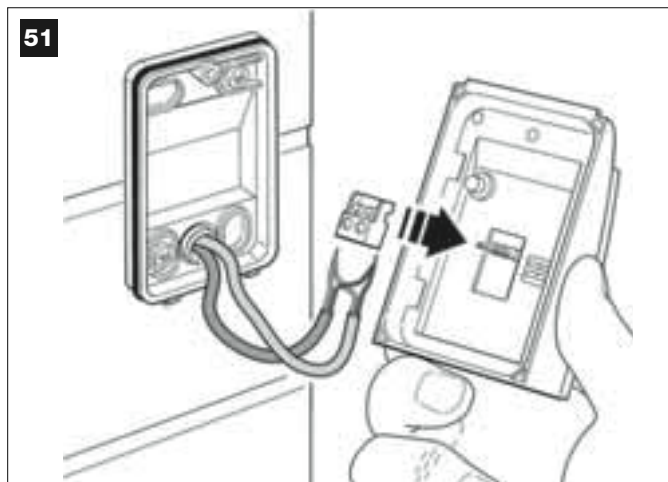


04. Fig. 51:

a) Collegare fra loro i fili dei due cavi e fissarli nella morsetteria.

b) Innestare la morsetteria sul connettore maschio presente sul retro della fotocellula.

IMPORTANTE! – Prima di chiudere la fotocellula è necessario selezionare con l'apposito ponticello elettrico la modalità di funzionamento delle fotocellule (vedere il riquadro "Selezione della modalità di funzionamento della coppia di fotocellule").



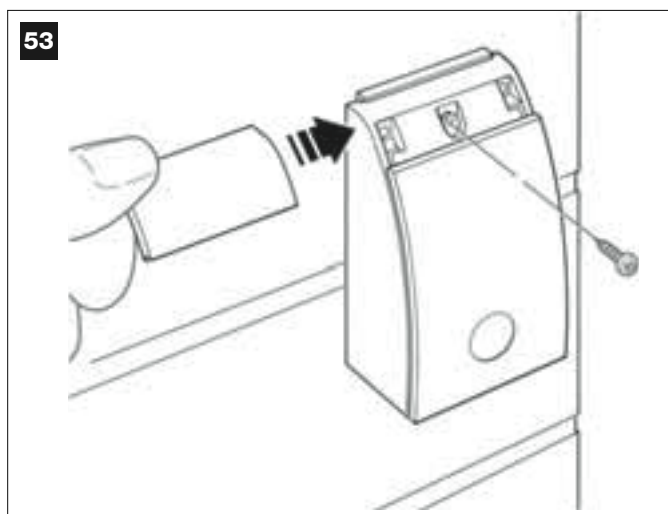
05. Fig. 52:

Rimettere il coperchio facendo in modo che i dentini di quest'ultimo si incastrino in quelli del fondo della fotocellula.



06. Fig. 53:

Fissare il coperchio della fotocellula al fondo tramite viti in dotazione. Infine rimettere il tappo coprivite come indicato nell'immagine.



SELEZIONE DELLA MODALITA' DI FUNZIONAMENTO DELLA COPPIA DI FOTOCELLE

In un impianto per cancelli ad ante battenti è possibile installare, in qualsiasi momento, coppie di fotocellule aggiuntive.

Si possono aggiungere fino ad un massimo di 6 coppie di fotocellule con funzione di sicurezza (come esempio **A-B-C-D-E-F** in **fig. 54**) e 1 coppia con funzione di comando (come esempio **G** in **fig. 54**) che effettua la sola manovra di *Apertura*.

Per collocare correttamente queste coppie di fotocellule, fare riferimento alla **fig. 54**.

Affinchè la Centrale riconosca la singola coppia di fotocellule e la funzione specifica assegnata a queste, è necessario eseguire l'indirizzamento delle stesse attraverso l'inserimento di uno o due ponticelli elettrici (**Tabella 3**) o senza nessun ponticello elettrico (**Tabella 3**). In questo modo, quando la Centrale riceverà l'imput dalle fotocellule, farà eseguire al motore la manovra corrispondente.

L'operazione di indirizzamento va fatta sia sulla fotocellula TX sia su quella RX, operando nel modo seguente:

Per le fotocellule "A-B-C-D-E-F"

Fare attenzione alle seguenti avvertenze:

- **i ponticelli elettrici devono essere posizionati sulle due fotocellule utilizzando la stessa configurazione;**
- **una configurazione già usata su una coppia di fotocellule NON deve essere usata su altre fotocellule.**

Per programmare queste coppie di fotocellule (se presenti nel vostro impianto), procedere nel modo seguente:

- 01.** Aprire il coperchio della fotocellula.
- 02.** Individuare nella **fig. 54** la posizione in cui sono installate le fotocellule su cui si vuole intervenire.
- 03.** Scegliere nella **Tabella 3** la configurazione desiderata e inserire i ponticelli elettrici nelle due fotocellule.

Per le fotocellule "G"

Fare attenzione alle seguenti avvertenze:

- Queste fotocellule hanno un ruolo diverso dalle altre (comandano l'automazione), quindi, è necessario posizionare queste ad una certa distanza dalle altre per evitare interferenze.
- Queste fotocellule restano alimentate anche quando l'automazione rimane inattiva e, in caso di mancanza di energia elettrica, se nell'impianto è presente la batteria tampone, questa ridurrà la sua normale durata (vedere il **PASSO 6.6**).

Per programmare queste coppie di fotocellule (se presenti nel vostro impianto), non è necessario inserire nessun ponticello elettrico (vedere **Tabella 3**).

54

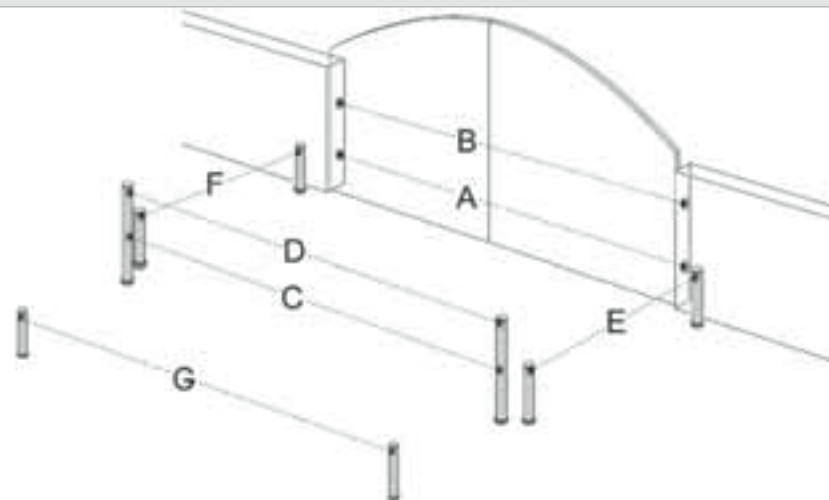



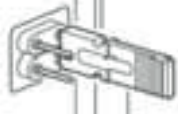





TABELLA 3

Coppia di Fotocellule	Ponticelli elettrici	Coppia di Fotocellule	Ponticelli elettrici
A Fotocellule h = 50 cm (queste intervengono quando il cancello è in fase di Chiusura)		E Fotocellule a destra (queste intervengono quando il cancello è in fase di Apertura)	
B Fotocellule h = 100 cm (queste intervengono quando il cancello è in fase di Chiusura)		F Fotocellule a sinistra (queste intervengono quando il cancello è in fase di Apertura)	
C Fotocellule h = 50 cm (queste intervengono quando il cancello è in fase di Apertura o di Chiusura)		G Fotocellule con il solo comando di Apertura del cancello	
D Fotocellule h = 100 cm (queste intervengono quando il cancello è in fase di Apertura o di Chiusura)			

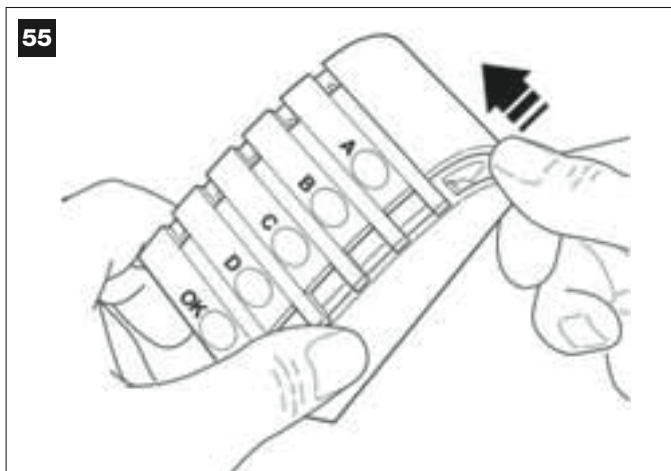
6.5 – INSTALLARE E COLLEGARE LA TASTIERA mod. MK

La Tastiera di comando è un dispositivo che si fissa a parete e comanda l'automazione attraverso un collegamento Bus. È possibile collegare fino a 4 tastiere in un singolo impianto e il dispositivo può essere programmato per funzionare in due modalità: *modo tradizionale* (ogni tasto esegue una funzione specifica assegnata – *modalità impostata in fabbrica*) e *modo sicurezza* (per comandare una manovra è necessario digitare una sequenza segreta di tasti, impostata dall'utente). La tastiera è retroilluminata per le situazioni con scarsa luce.

Per installare e collegare la tastiera procedere nel modo seguente:

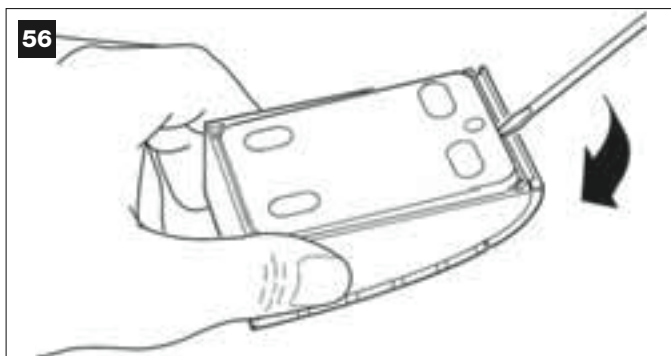
01. Fig. 55:

Togliere il coperchio della tastiera spingendolo di lato come mostrato nell'immagine.



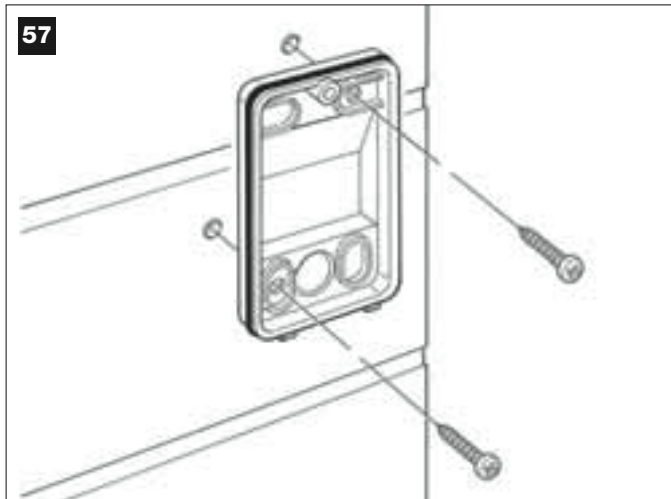
02. Fig. 56:

Con l'aiuto di un cacciavite, aprire e staccare il fondo della tastiera.



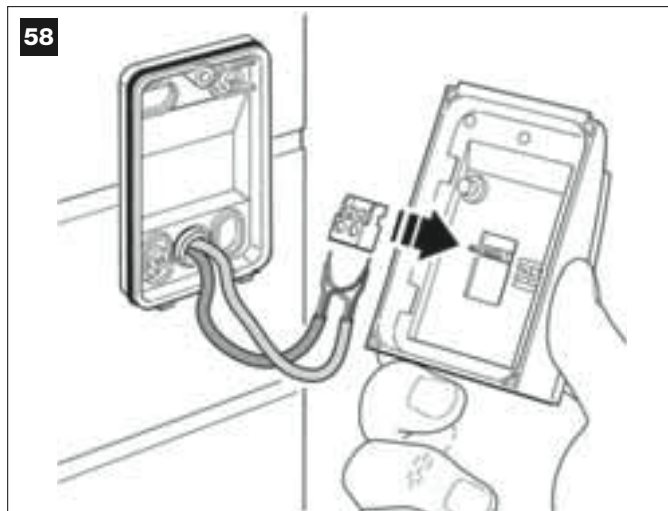
03. Fig. 57:

- Con l'aiuto di un trapano, forare sul fondo la parte predisposta per il passaggio del cavo di collegamento.
- Fissare il fondo della tastiera al muro con le apposite viti, facendo passare il cavo attraverso il foro predisposto.



04. Fig. 58:

- Collegare i fili del cavo ai rispettivi morsetti.
- Innestare il connettore del cavo sul connettore maschio presente sul retro della tastiera.



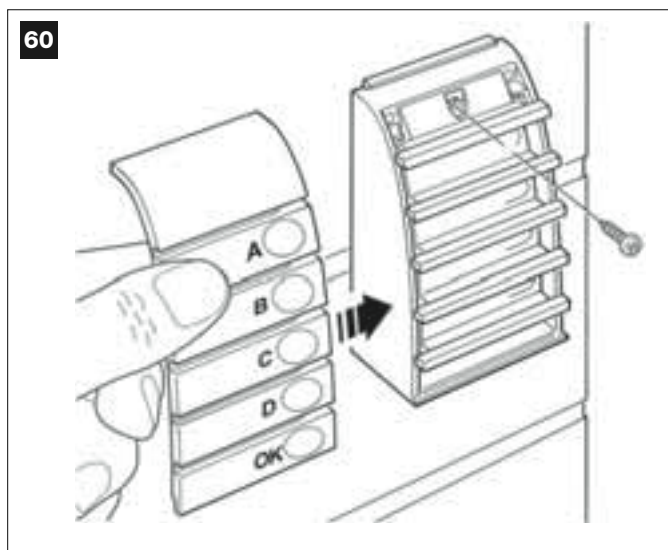
05. Fig. 59:

Rimettere il coperchio facendo in modo che i dentini di quest'ultimo si incastrino in quelli del fondo della tastiera.



06. Fig. 60:

Fissare il coperchio della tastiera al fondo tramite viti in dotazione. Infine rimettere il tappo coper vite come indicato nell'immagine.



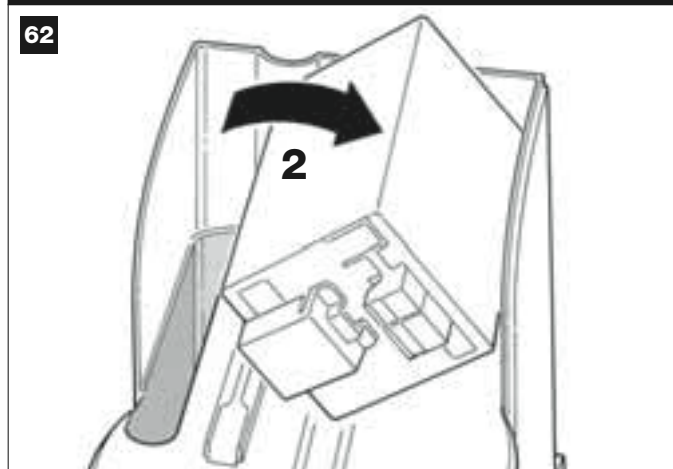
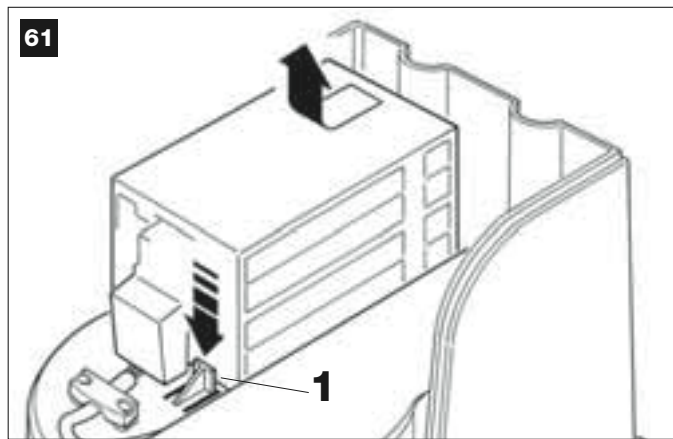
6.6 – INSTALLARE LA BATTERIA TAMPONE mod. MB

La batteria tampone è del tipo autoricaricabile, con tensione di 12V e potenza di 2100mAh. Questa è particolarmente utile nei casi di mancanza improvvisa di energia elettrica (*black-out*). Il motoriduttore con Centrale permette l'installazione di 1 batteria.

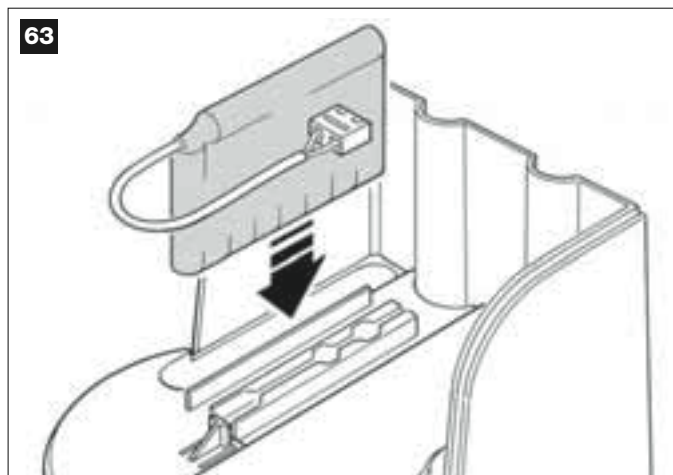
Secondo la tipologia e il peso del cancello, quando la batteria è carica riesce a garantire un'autonomia di circa 6 - 7 cicli di manovre consecutive (1 ciclo = *Apertura - Chiusura*).

Lo spazio dove collocare la batteria tampone si trova sotto la Centrale, quindi per installarla procedere nel modo seguente:

01. Utilizzando un cacciavite a stella, svitare le viti del fermacavo per liberare il cavo di alimentazione e facilitare lo spostamento della Centrale dalla sua sede.
02. Fig. 61-62: Premere con un dito l'aletta (1) che blocca la Centrale; con l'altra mano estrarre la Centrale dalla sua sede spingendola in avanti e contemporaneamente verso l'alto (2) per sganciarla dalla guida.



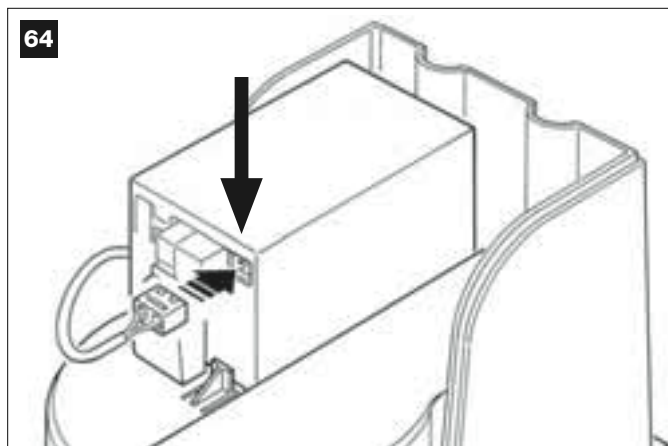
03. Fig. 63: Inserire la batteria nello spazio predisposto sotto la Centrale.



04. Riposizionare la Centrale nella sua sede nel modo seguente:
 - a) posizionare la Centrale sopra la sua guida
 - b) spingerla verso il basso e contemporaneamente tirarla in dietro fino ad udire uno scatto.

ATTENZIONE! – Il punto successivo (05 - collegamento elettrico della batteria tampone alla Centrale) deve essere eseguito soltanto dopo aver concluso tutte le fasi di installazione e di programmazione, in quanto la batteria rappresenta un'alimentazione elettrica di emergenza.

05. Fig. 64: A questo punto, innestare il connettore della batteria sul connettore maschio presente sulla Centrale.



AVVERTENZE

Per garantire una buona durata della batteria tampone è utile prestare attenzione alle seguenti avvertenze:

- La batteria tampone è un dispositivo di emergenza: quindi, è opportuno usarla solo in caso di necessità e farne un uso moderato. Il suo uso eccessivo e continuato può causare un surriscaldamento degli elementi, che nel tempo potrebbero non garantire più la normale durata della batteria.
- Evitare di lasciare l'automazione alimentata esclusivamente con la batteria tampone per periodi più lunghi di una giornata: i suoi elementi potrebbero scaricarsi eccessivamente e pregiudicare la durata della batteria. Perciò, se si prevede di assentarsi per lunghi periodi dal luogo dove è installata l'automazione, conviene staccare il morsetto della batteria tampone collegato alla Centrale.
- Quando la batteria tampone è completamente scarica, per ricaricarla sono necessarie circa 24 ore per ottenere il caricamento completo.
- Nel caso di lunghi periodi di inutilizzo dell'automazione, per evitare il rischio di perdite di sostanze nocive dalla batteria opzionale, è preferibile estrarla e custodirla in un luogo asciutto.

Smaltimento della batteria

Attenzione! – La batteria scarica contiene sostanze inquinanti e quindi, non deve essere buttata nei rifiuti comuni. Occorre smaltirla utilizzando i metodi di raccolta 'separata', previsti dalle normative vigenti nel vostro territorio.

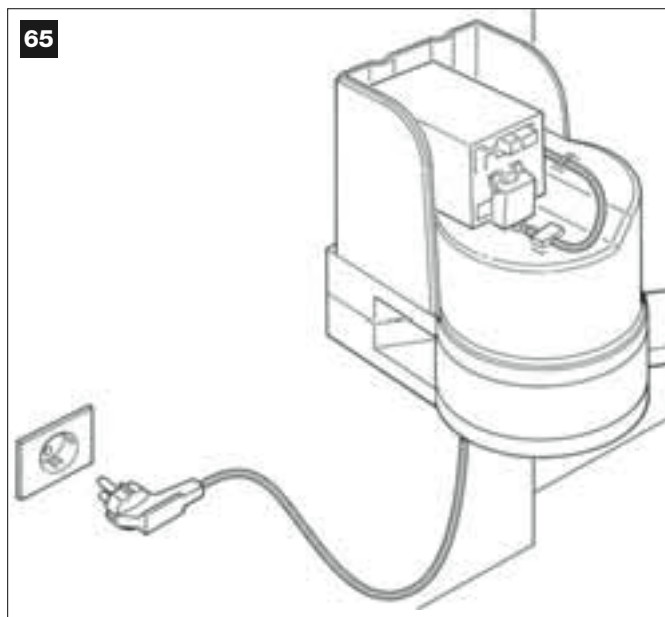
PASSO 7

AVVERTENZE!

– Il cavo di alimentazione in PVC in dotazione al prodotto lo rende adatto ad essere installato all'interno; per uso esterno occorre proteggere tutto il cavo con un condotto di protezione ed isolamento, oppure sostituire il cavo con uno, ad esempio, tipo H07RN-F.

– Il collegamento definitivo dell'automazione alla rete elettrica o la sostituzione del cavo in dotazione deve essere effettuato esclusivamente da un elettricista qualificato ed esperto, nel rispetto delle norme di sicurezza vigenti sul territorio e delle istruzioni riportate nel riquadro "Attività riservate ad un tecnico qualificato".

Per effettuare le prove di funzionamento e la programmazione dell'automazione, dare alimentazione alla Centrale inserendo la spina del cavo di alimentazione in dotazione in una presa elettrica (fig. 65). Se la presa è collocata lontana dall'automazione, in questa fase può essere usata una prolunga.



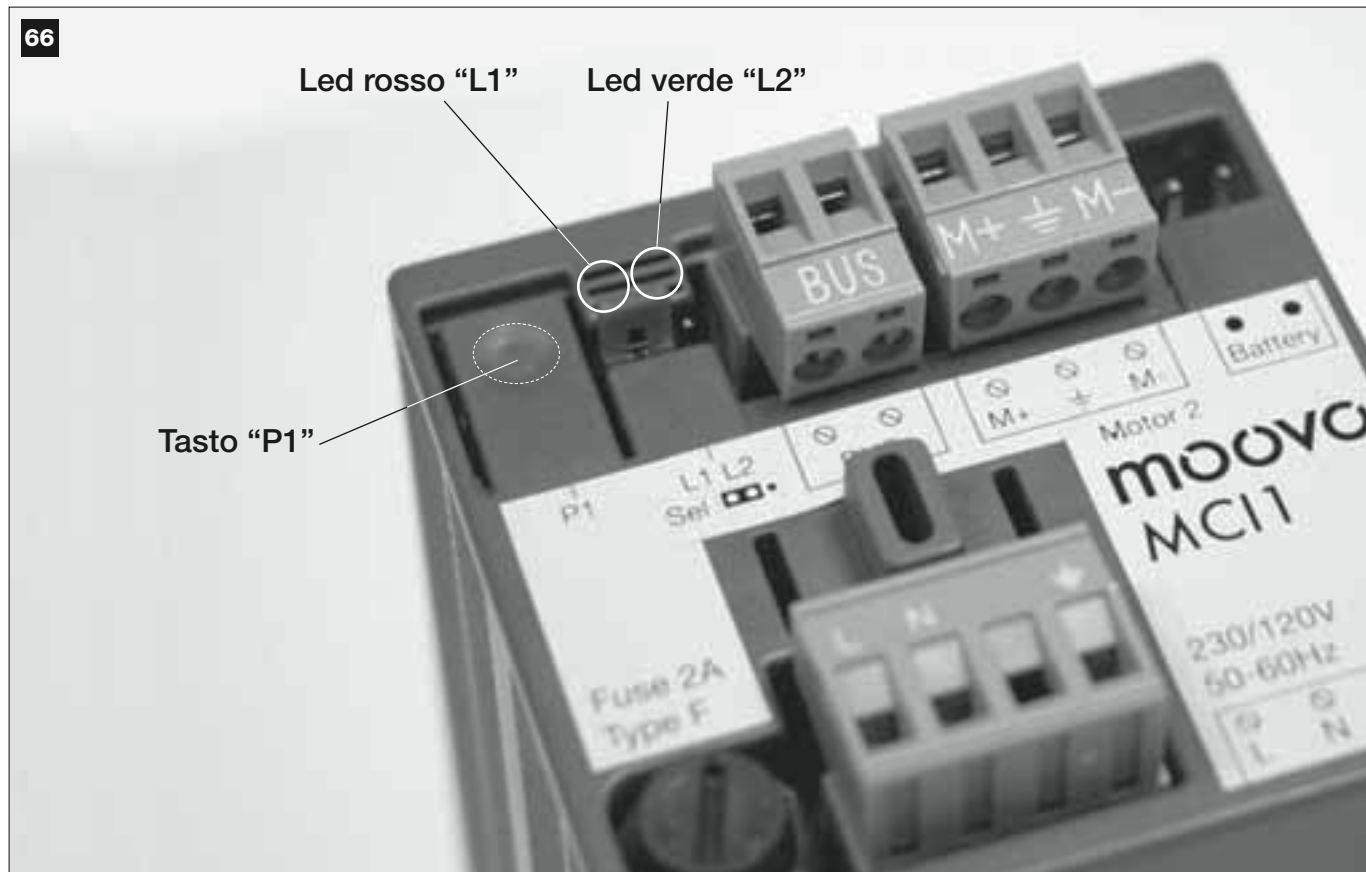
PRIMA ACCENSIONE E VERIFICA DEI COLLEGAMENTI ELETTRICI

PASSO 8

ATTENZIONE! – Tutte le operazioni successive descritte nel manuale, saranno effettuate su circuiti elettrici sotto tensione e le manovre potranno risultare pericolose! Quindi, operare con attenzione.

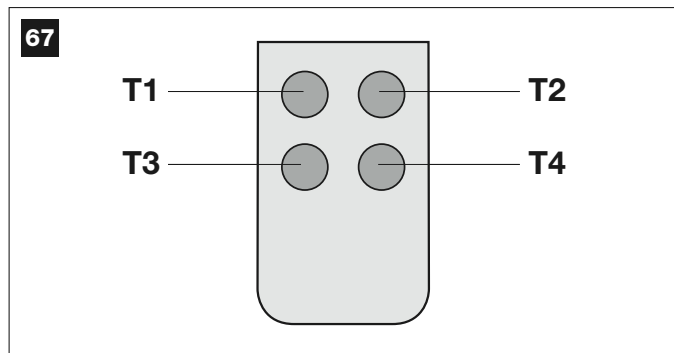
Dopo aver dato alimentazione elettrica alla Centrale (fig. 65), il Led rosso e il Led verde (fig. 66) emettono una serie di lampeggi. Terminata questa fase, il Led rosso inizia a lampeggiare con cadenza regolare. Questo certifica il regolare funzionamento della Centrale.

Attenzione! – Se il Led rosso non lampeggia come descritto è consigliabile togliere l'alimentazione elettrica alla Centrale e verificare con maggior attenzione i collegamenti effettuati (consultare anche il capitolo "Cosa fare se...").



AVVERTENZE alla programmazione:

- Si consiglia di **leggere prima** le procedure e di **eseguire dopo** le operazioni, **effettuando i passaggi di ciascuna procedura in modo consecutivo**.
- In questo manuale i tasti del trasmettitore sono identificati tramite dei numeri. Per conoscere la corrispondenza fra i **numeri** citati e i **tasti** del trasmettitore vedere la **fig. 67**.



PASSO 9

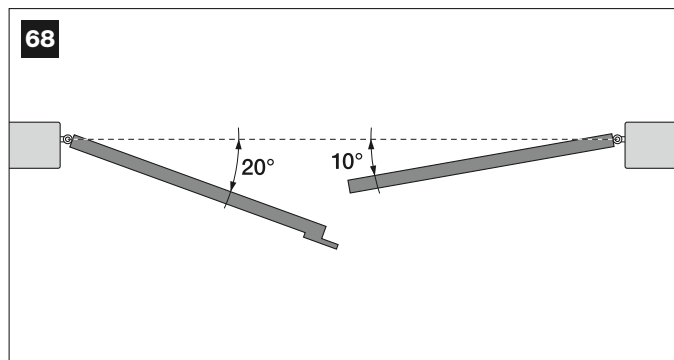
9.1 – MEMORIZZAZIONE DEI DISPOSITIVI COLLEGATI TRAMITE CAVO “BUS” E DELLE POSIZIONI DI FINE-CORSA “0” E “1” DELLE ANTE

Programmare la Centrale di comando, effettuando nell'ordine le seguenti operazioni:

Nota – Durante l'esecuzione della procedura è possibile uscire in qualsiasi momento da questa (senza memorizzare le azioni svolte) premendo 1 volta il tasto “P1” sulla Centrale (fig. 66). In particolare, a partire dal punto 07, si può uscire dalla procedura anche per l'intervento di un dispositivo di sicurezza (fotocellule o altro...).

01. (sul Cancellò)

Sbloccare i due motoriduttori con l'apposita chiave (vedere il capitolo “**Bloccare o sbloccare manualmente il motoriduttore**” nella sezione “DOCUMENTAZIONE TECNICA”) e portare manualmente le due ante del cancellò nella posizione indicata in **fig. 68**. Quindi bloccare di nuovo i motoriduttori.



02. (sulla Centrale)

Tenere premuto per almeno **5 secondi** il tasto “P1”, fino a quando si spegne il Led verde e si accende il Led rosso (questo resta acceso fino alla fine della procedura). Quindi, rilasciare il tasto ed effettuare le seguenti operazioni:

03. (sulle Fotocellule per la sicurezza)

Nota – Il tempo a disposizione per questa verifica è illimitato.

Verificare il corretto funzionamento di questo tipo di fotocellule, accertandosi che il loro Led lampeggi lentamente. Se invece è acceso o spento, correggere l'allineamento tra le fotocellule cercando di ottenere un lampeggio quanto più possibile lento (più il lampeggio è lento, migliore sarà l'allineamento tra le fotocellule).

- **luce lampeggiante con cadenza lunga** = allineamento corretto delle fotocellule;

- **luce accesa fissa** = allineamento non corretto (rivedere l'allineamento tra le fotocellule);
- **luce spenta** = fotocellule installate in modo errato (controllare il collegamento “Bus” delle fotocellule).

04. (sulle Fotocellule per il comando)

Eseguire l'attivazione di questo tipo di fotocellule (se presenti nell'impianto), interrompendo una sola volta il loro raggio. La conferma dell'avvenuto apprendimento è data dal lampeggiante (1 lampeggio) e dalla tastiera (1 beep), se questi sono presenti nell'impianto.

05. (sulle Tastiere)

Eseguire l'attivazione delle tastiere (se presenti nell'impianto) premendo su ognuna di esse una sola volta un unico tasto, a vostra scelta.

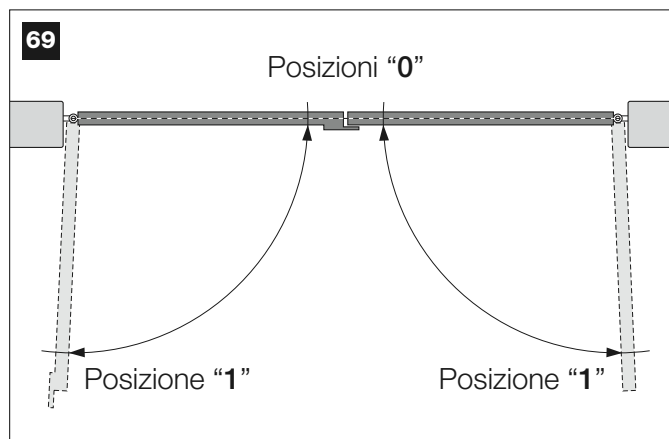
La conferma dell'avvenuto apprendimento è dato da 2 suoni ravvicinati (beep) emessi dalla tastiera e da un lampeggio del lampeggiante, se questo è presente nell'impianto.

06. (sulla Centrale)

Tenere premuto per almeno **5 secondi** il tasto “P1”, fino a quando il Led verde si spegne. Quindi, rilasciare il tasto.

07. (sul Cancellò)

Nota – le manovre che seguono consentono alla Centrale di memorizzare automaticamente le posizioni relative al punto “0” (Chiusura totale) e al punto “1” (Apertura totale), come mostrato in **fig. 69**.



A questo punto, la Centrale avvia autonomamente 3 manovre, segnalate anche dal lampeggiante:

- 1 - Chiusura dell'Anta 2 e, di seguito, chiusura dell'Anta 1.
- 2 - Apertura delle due ante.
- 3 - Chiusura delle due ante.

Al termine dell'ultima manovra il Led rosso si spegne (= procedura terminata) e successivamente riprende a lampeggiare con cadenza regolare.

Attenzione! – Appena inizia la prima manovra occorre verificare immediatamente che:

- a - l'Anta 2 si muova prima dell'Anta 1;
- b - l'Anta 2 si muova nella direzione della Chiusura.

Se il risultato di queste verifiche non è conforme a quanto descritto, fermare immediatamente la procedura premendo 1 volta il tasto “P1” sulla Centrale. Quindi, risolvere il problema “a” e “b” consultando il PASSO 6.1. Infine, rifare di nuovo tutta questa procedura 9.1.

Memorizzare in futuro altri dispositivi collegati tramite cavo “Bus”

Se in futuro si desidera installare e memorizzare altri dispositivi collegati alla Centrale tramite il “Bus”, e la **procedura 9.1 risulta già eseguita in passato**, è possibile memorizzare i nuovi dispositivi usando la stessa procedura, **partendo dal punto 01 fino al punto 06**. Alla fine, premere 1 volta il tasto “P1” sulla Centrale per terminare la memorizzazione.

9.2 – MEMORIZZAZIONE DEL TRASMETTITORE mod. MT4

Attenzione! – Si consiglia di **leggere prima** la procedura e di **eseguire dopo** le operazioni, **effettuando queste in modo consecutivo**, senza far trascorrere più di **10 secondi** fra il rilascio di un tasto e la pressione di quello successivo.

Per poter comandare l'automazione con il trasmettitore, occorre memorizzare i suoi tasti nella memoria della Centrale.

La memorizzazione permette di associare ad ogni tasto un comando desiderato, scegliendolo fra i seguenti disponibili:

1 = Passo-Passo: corrisponde alla sequenza ... **Apri - Stop - Chiudi - Stop** ... Il primo comando attiva l'**Apertura**; il successivo, con l'anta in movimento comanda lo **Stop**; il terzo, la **Chiusura**; il quarto, con l'anta in movimento, comanda lo **Stop** e così via...

2 = Passo-Apri: corrisponde alla sequenza ... **Apri - Stop - Chiudi - Apri** ... Il primo comando attiva l'**Apertura**; il successivo, con l'anta in movimento comanda lo **Stop**; il terzo, la **Chiusura**; il quarto, con l'anta in movimento, comanda l'**Apertura** e così via...

3 = Apertura parziale: corrisponde all'apertura totale di una sola anta. Questo comando ha effetto solo se la **Anta 2**, quella che sta sotto, è completamente chiusa.

4 = Apertura condominiale: questo comando è pensato per un utilizzo condominiale e prevede la programmazione di tutti i trasmettitori dei condomini con il solo tasto "apertura condominiale". Il comando funziona nel modo seguente:

- se il comando viene inviato mentre è in corso una manovra di **Apertura**, la manovra continua;
- se il comando viene inviato mentre è in corso una manovra di **Chiusura**, la manovra si interrompe e parte la manovra di **Apertura**;
- se il comando viene inviato quando il cancello è fermo e completamente aperto, parte la manovra di **Chiusura**. **Nota** – È possibile ottenere anche la **chiusura automatica del cancello**, programmando un tempo pausa desiderato (vedere il capitolo 10).

La singola esecuzione della procedura memorizza **un singolo tasto** del trasmettitore; questo può essere memorizzato sia sulla presente Centrale sia su Centrali di altre automazioni. La memoria della Centrale può memorizzare fino a 150 tasti.

Per ogni tasto che si desidera memorizzare, ripetere la seguente procedura.

- 01.** Decidere quale **tasto** del trasmettitore si intende memorizzare (esempio: *il tasto T3*).
- 02.** Decidere quale **comando**, fra quelli elencati prima, si intende associare al tasto prescelto (esempio: *il comando "2"*).
- 03.** Premere il tasto "**P1**" (sulla Centrale) un numero di volte uguale al numero del comando scelto (nel nostro esempio, "**2**" volte) e verificare che il Led verde emetta uno stesso numero di lampeggi brevi (questi vengono ripetuti con cadenza regolare).
- 04.** (entro 10 secondi) Tenere premuto sul trasmettitore per almeno 2 secondi, il tasto che si intende memorizzare (nel nostro esempio, *il tasto T3*).

Se la memorizzazione è andata a buon fine il Led verde emetterà 3 lampeggi lunghi (= memorizzazione ok). **Nota** – Prima che scadano i 10 secondi è possibile memorizzare un tasto di un **NUOVO trasmettitore con lo stesso comando** (questo è utile quando, ad esempio, occorre memorizzare più trasmettitori nella stessa Centrale).

In caso contrario, attendere che il Led verde si spenga (= procedura terminata) e che il Led rosso riprenda a lampeggiare con cadenza regolare.

9.3 – PROGRAMMAZIONE DELLA TASTIERA mod. MK

La tastiera di comando può essere programmata in due modalità di funzionamento, alternative fra loro:

- **modalità TRADIZIONALE** (senza l'uso di una password personale)
- **modalità SICUREZZA** (con l'uso di una password personale)

Dopo la sua memorizzazione (vedere PASSO 9.1) la tastiera risulta impostata in "modalità Tradizionale" (*impostazione di fabbrica*) ed è possibile cambiare modalità, come descritto di seguito.

Modalità di funzionamento "Tradizionale"

In questa modalità i tasti sono indipendenti e ciascuno comanda un'azione specifica. I comandi sono:

- tasto "**A**" = comando **Passo-Passo**
- tasto "**B**" = comando **Apertura parziale**
- tasto "**C**" = comando **Apri**
- tasto "**D**" = comando **Chiudi**
- tasto "**OK**" = comando **Stop**

Modalità di funzionamento "Sicurezza"

In questa modalità la tastiera funziona digitando una password decisa dall'utente (da 1 a 10 lettere), seguita dal tasto "**OK**". Questa combinazione di tasti invia solo il comando specifico che l'utente ha preimpostato durante la programmazione della modalità.

Nota – Se è programmato il comando **Passo-Passo**, dopo aver inviato il comando, si hanno a disposizione 10 secondi per inviare un eventuale successivo comando, premendo semplicemente il tasto "**OK**". In questo modo si evita di digitare di nuovo la password.

PROGRAMMAZIONE DELLA MODALITÀ "SICUREZZA"

- 01.** Tenere premuti contemporaneamente i tasti "**A**" e "**B**" per alcuni secondi, fino a quando la tastiera emette una sequenza di suoni (*beep*) che segnalano l'avvio della programmazione.
- 02.** Usando i tasti della tastiera inserire il "**codice PUK**" (codice a 10 lettere fornito con la tastiera); infine, premere il tasto "**OK**".
Se il codice è corretto la tastiera emette una serie di suoni (*beep*); se invece è errato verrà emesso un suono unico e continuo.
- 03.** Usando i tasti della tastiera inserire una **password personale** (da 1 a 10 lettere); infine, premere il tasto "**OK**".
La tastiera emette una serie di suoni (*beep*).
- 04.** Infine, scegliere nella lista in basso il comando che si desidera programmare e premere sulla tastiera il **tasto associato al comando** e, di seguito, il tasto "**OK**":

Comando Passo-Passo	= tasto A
Comando Apertura parziale	= tasto B
Comando Apri	= tasto C
Comando Chiudi	= tasto D
Comando Stop	= tasto OK

La tastiera emette una serie di suoni (*beep*) che concludono questa programmazione.

Modificare la Password personale

Se si desidera modificare la propria password, rifare tutta la procedura "modalità Sicurezza", cambiando al punto 03 la password esistente.

PROGRAMMAZIONE DELLA MODALITÀ "TRADIZIONALE"

Per programmare questa modalità di funzionamento effettuare la procedura "Programmazione della modalità Sicurezza", premendo al punto 03 e 04 solo il tasto "**OK**".

La Centrale possiede alcune funzioni opzionali che permettono di aggiungere all'automazione funzionalità specifiche, in grado di personalizzarla secondo le vostre necessità personali.

10 – REGOLAZIONE DEL FUNZIONAMENTO DELL'AUTOMAZIONE

Per personalizzare il funzionamento dell'automazione è possibile attivare o disattivare alcune funzioni e di regolarne il loro valore. Le funzioni sono:

- **CHIUSURA AUTOMATICA DELLE ANTE.** Quando questa funzione è attiva, al termine di una manovra di *Apertura* comandata dall'utente, la Centrale richiude automaticamente il cancello dopo un certo tempo.
- **VELOCITÀ DEL MOVIMENTO DELLE ANTE.** Questa funzione permette di impostare la velocità desiderata con la quale l'automazione fa muovere le ante del cancello.
- **SENSIBILITÀ DELLE ANTE VERSO GLI OSTACOLI.** Se durante una manovra un ostacolo accidentale frena il movimento delle ante del cancello (una raffica di vento, un veicolo, una persona ecc), questa funzione rileva prontamente l'aumento dello sforzo del motore per contrastare l'ostacolo e comanda immediatamente l'inversione totale del movimento. Se è impostata la "chiusura automatica delle ante", la Centrale riprova una seconda volta e al terzo tentativo, dopo una breve inversione, ferma definitivamente la manovra.
- **SCARICAMENTO DELLA PRESSIONE DELLE ANTE.** Al termine della manovra di *Chiusura*, dopo che le ante hanno raggiunto il fincorsa "0", il motore continua a "spingere" le ante ancora per qualche istante, per assicurare una chiusura perfetta. Subito dopo, questa funzione comanda una brevissima inversione del moto, allo scopo di allentare la pressione in eccesso esercitata dal motore sulle ante.

I valori di queste funzioni possono essere regolati secondo le proprie necessità utilizzando la procedura seguente e un trasmettitore che possieda almeno un tasto già memorizzato nella Centrale.

Nota – Durante l'esecuzione della procedura, ogni volta che si preme un tasto il lampeggiante emetterà un lampeggio.

- 01.** Tenere premuto contemporaneamente, per almeno **5 secondi**, il tasto "T1" e "T2" sul trasmettitore e poi rilasciarli. Sulla Centrale lampeggiano i due Led (verde e rosso) che segnalano l'entrata nella "programmazione funzioni" (i Led continueranno a lampeggiare per tutta la durata della procedura).
- 02.** Tenere premuto per almeno **1 secondo** un tasto sul trasmettitore che risulta già memorizzato su quella Centrale (il Led verde emette 1 lampeggio).
- 03.** Quindi, scegliere di seguito una delle quattro funzioni disponibili e, sul trasmettitore, tenere premuto per almeno **1 secondo** il tasto che risulta associato alla funzione scelta (il Led verde emette 1 lampeggio):
 - **Chiusura automatica delle ante** = (premere il tasto "T1")
 - **Velocità del movimento delle ante** = (premere il tasto "T2")
 - **Sensibilità delle ante verso gli ostacoli** = (premere il tasto "T3")
 - **Scaricamento della pressione delle ante** = (premere il tasto "T4")
- 04.** Infine, osservando la **Tabella 4** scegliere in corrispondenza della funzione prescelta il valore desiderato e, sul trasmettitore, tenere premuto per almeno **1 secondo** il tasto che risulta associato al valore scelto (il Led verde e rosso emettono 1 breve lampeggio di conferma).

TABELLA 4

CHIUSURA AUTOMATICA delle ante

Nessuna chiusura —> (premere il tasto "T1")

Chiusura dopo 15 secondi —> (premere il tasto "T2")

Chiusura dopo 30 secondi —> (premere il tasto "T3")

Chiusura dopo 60 secondi —> (premere il tasto "T4")

VELOCITÀ DEL MOVIMENTO delle ante

Bassa —> (premere il tasto "T1")

Medio bassa —> (premere il tasto "T2")

Medio alta —> (premere il tasto "T3")

Alta —> (premere il tasto "T4")

SENSIBILITÀ delle ante VERSO GLI OSTACOLI

Alta —> (premere il tasto "T1")

Medio alta —> (premere il tasto "T2")

Medio bassa —> (premere il tasto "T3")

Bassa —> (premere il tasto "T4")

SCARICAMENTO DELLA PRESSIONE delle ante

Nessun scaricamento —> (premere il tasto "T1") (*)

Minimo —> (premere il tasto "T2")

Medio —> (premere il tasto "T3")

Massimo —> (premere il tasto "T4")

Note alla Tabella 4:

- (*) Si consiglia di non impostare MAI questo valore.
- La Tabella riporta i valori disponibili per ciascuna delle 4 funzioni speciali e il tasto corrispondente che occorre premere sul trasmettitore per selezionare quel determinato valore.
- Il colore grigio evidenzia i valori impostati in fabbrica.
- In caso di mancanza dell'energia elettrica, al ripristino della corrente la prima manovra comandata verrà eseguita dall'automazione a velocità ridotta, indipendentemente dal tipo di velocità impostata.

11 – MEMORIZZAZIONE DI UN NUOVO TRASMETTITORE CON LA PROCEDURA 'IN VICINANZA' DELLA CENTRALE [con un trasmettitore già memorizzato]

È possibile memorizzare un NUOVO trasmettitore nella memoria della Centrale senza agire direttamente sul tasto "P1" della stessa Centrale, ma operando semplicemente nel suo raggio di ricezione. Per attuare la procedura è necessario avere a disposizione un VECCHIO trasmettitore, già memorizzato e funzionante. La procedura consentirà al NUOVO trasmettitore di ricevere le impostazioni di quello VECCHIO.

Avvertenza – La procedura deve essere eseguita operando nel raggio di ricezione del ricevitore (massimo 10-20 m dal ricevitore).

- 01.** Sul NUOVO trasmettitore, tenere premuto per almeno **5 secondi** il tasto che si desidera memorizzare e poi rilasciarlo.
- 02.** Sul VECCHIO trasmettitore, premere lentamente **3 volte** il tasto con il comando che si desidera memorizzare sull'altro trasmettitore.
- 03.** Sul NUOVO trasmettitore, premere **1 volta** lo stesso tasto premuto precedentemente al punto 01.

Nota – La procedura deve essere ripetuta per ogni tasto che si desidera memorizzare.

12 – CANCELLAZIONE DEI DATI PRESENTI NELLA MEMORIA DELLA CENTRALE

È possibile cancellare i dati presenti nella memoria della Centrale, operando in modo selettivo o in modo totale. Per questa operazione è possibile usare, secondo le necessità le seguenti procedure:

- Cancellazione di un comando in un Trasmittitore già memorizzato
- Cancellazione degli altri dati memorizzati nella Centrale

Cancellazione di un comando in un Trasmittitore già memorizzato

La seguente procedura permette di cancellare dalla **memoria** della Centrale un singolo comando assegnato a un tasto del trasmettitore.

Nota – Durante la procedura il Led rosso e il Led verde restano accesi con luce fissa.

- 01.** Tenere premuto per più di **10 secondi** il tasto “P1” sulla Centrale: si accende prima il Led **verde**, dopo 5 secondi si accende quello **rosso** e infine entrambi, segnalando che la Centrale è entrata in modalità “cancellazione memoria” (**ATTENZIONE! – non rilasciare il tasto “P1”!**).
- 02.** Senza rilasciare il tasto “P1”, premere sul trasmettitore il tasto che si intende cancellare: se la Centrale riconosce questa operazione, il Led **verde** emette un lampeggio breve e, a questo punto, si possono rilasciare i tasti “P1” e quello sul trasmettitore.

Cancellazione degli altri dati memorizzati nella Centrale

La seguente procedura permette di cancellare dalla **memoria** della Centrale vari tipi di dati memorizzati, così come riportati nella **Tabella 5**.

Nota – Durante la procedura il Led rosso e il Led verde restano accesi con luce fissa.

- 01.** Tenere premuto per più di **10 secondi** il tasto “P1” sulla Centrale: si accende prima il Led **verde**, dopo 5 secondi si accende quello **rosso** e infine entrambi, segnalando che la Centrale è entrata in modalità “cancellazione memoria”. Quindi, rilasciare il tasto.
 - 02.** Osservando la **Tabella 5** scegliere il tipo di dati che si intende cancellare e premere il tasto “P1” un numero di volte uguale al numero di pressioni indicato tra parentesi (*ad ogni pressione del tasto “P1”, il Led verde emette un lampeggio*).
 - 03.** Dopo 5 secondi dall'ultima pressione del tasto “P1”, se la cancellazione è andata a buon fine, entrambi i Led (rosso e verde) lampeggiano velocemente (= *memoria cancellata!*).
- Nota** – Prima che la cancellazione venga eseguita, c'è un margine di tempo di 5 secondi, in cui poter ripensare la decisione presa; in questo tempo si può uscire dalla procedura senza cancellare nessun dato premendo 5 volte il tasto “P1”.

IMPORTANTE! – Dopo la cancellazione della “Memoria delle posizioni 0 e 1” e della “Memoria TOTALE”, sarà necessario effettuare di nuovo la procedura **9.1** – “Memorizzazione dei dispositivi collegati tramite cavo Bus e delle posizioni di fincorsa 0 e 1 delle ante”.

TABELLA 5

- Memoria dei valori delle Funzioni Opzionali (= **1 pressione**)
- Memoria delle posizioni “0” e “1” (= **2 pressioni**)
- Memoria dei Trasmittitori (= **3 pressioni**)
- Memoria TOTALE (= **4 pressioni**) *Nota – cancella in una sola volta le prime tre memorie*



Attività riservate ad un tecnico qualificato

ATTENZIONE! – Tutte le operazioni contenute in questo riquadro devono essere eseguite esclusivamente da personale qualificato ed esperto, rispettando le istruzioni del manuale, le leggi e le normative di sicurezza vigenti sul territorio.

COLLEGAMENTO DELL'AUTOMAZIONE ALLA RETE ELETTRICA CON UN CAVO DIVERSO DA QUELLO IN DOTAZIONE

ATTENZIONE! – Un collegamento errato può provocare guasti o situazioni di pericolo; quindi, rispettare scrupolosamente i collegamenti indicati in questo paragrafo.

Se la distanza del cancello dalla presa della rete elettrica fissa è superiore alla lunghezza del cavo di alimentazione in dotazione, si può sostituire questo cavo con una linea elettrica protetta e adeguata alle circostanze. Per fare questo, utilizzare un cavo di alimentazione da $3 \times 1,5 \text{ mm}^2$, di lunghezza inferiore a 30 m. Per lunghezze superiori, utilizzare un cavo con sezione maggiore: ad esempio, $3 \times 2,5 \text{ mm}^2$, prevedendo la messa a terra di sicurezza nei pressi dell'automazione. Quindi, procedere nel modo seguente.

Per collegare il nuovo cavo alla Centrale:

01. Fig. A:

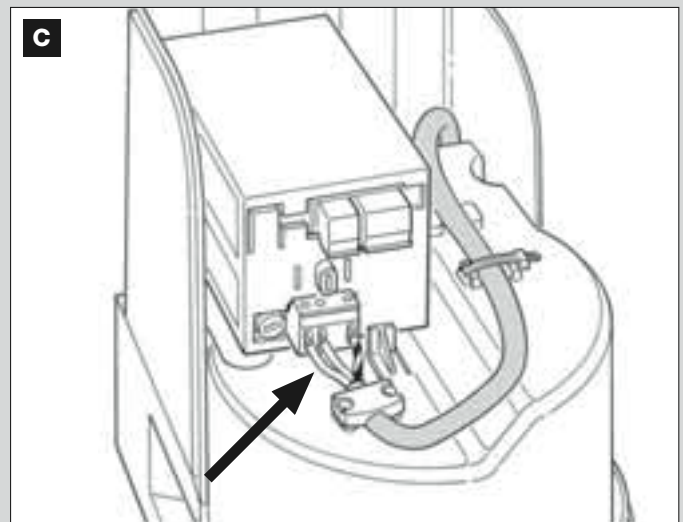
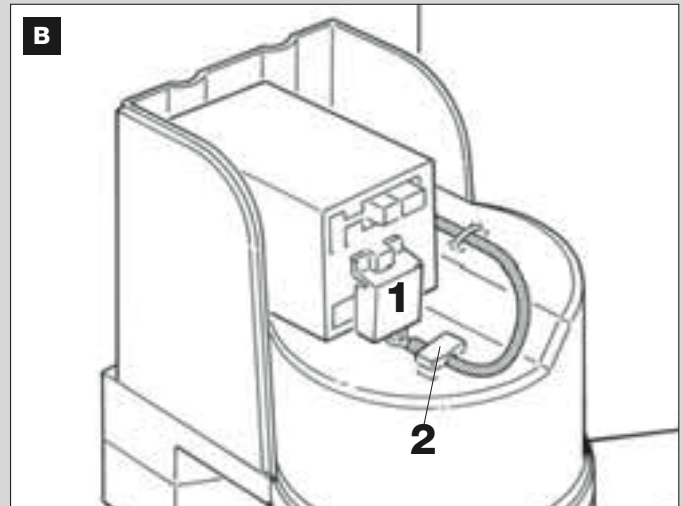
- Svitare la vite posta sulla parte superiore del coperchio, utilizzando un cacciavite a stella.
- Posizionare due dita sulle due cavità presenti sulla parte posteriore del motoriduttore e alzare il coperchio tirandolo verso l'alto; facendo "perno" sulla base su cui si appoggia quest'ultimo.



02. Fig. B e C - Utilizzando un cacciavite a stella, svitare le viti del coperchio della morsettiera (fig. B-1) e del fermacavo (fig. B-2) per liberare il cavo di alimentazione da sostituire, ed eliminarlo. Quindi, inserire il nuovo cavo di alimentazione nel foro presente sulla faccia inferiore del

motoriduttore e collegare i fili del cavo alla morsettiera, facendo attenzione a rispettare i simboli presenti. **Nota** – per collegare agevolmente i fili elettrici, estrarre la morsettiera dalla sua sede.

- filo elettrico **Marrone**, da collegare alla "Fase";
- filo elettrico **Blu**, da collegare al "Neutro";
- filo elettrico **Giallo-verde**, da collegare alla "Terra".



03. Infine, rimettere il fermacavo e il coperchio alla morsettiera, e richiudere il motoriduttore con il suo coperchio.

Per collegare il nuovo cavo alla rete elettrica:

Attenzione! – Nell'effettuare questo collegamento è necessario installare sulla linea di alimentazione (tra l'automazione e la rete elettrica), un dispositivo di protezione contro il cortocircuito.

Inoltre, sulla stessa linea è necessario installare anche un dispositivo di sconnessione dell'alimentazione (con categoria di sovratensione III, cioè una distanza tra i contatti di almeno 3 mm) oppure, un altro sistema equivalente (ad esempio, una presa con relativa spina).

Questo dispositivo, in caso di necessità, garantisce una veloce e sicura sconnessione dell'alimentazione; pertanto deve essere posizionato in vista dell'automazione. Se invece è collocato lontano, in posizione non visibile, deve disporre di un sistema che blocca un'eventuale riconnessione accidentale o non autorizzata dell'alimentazione, al fine di scongiurare qualsiasi pericolo.

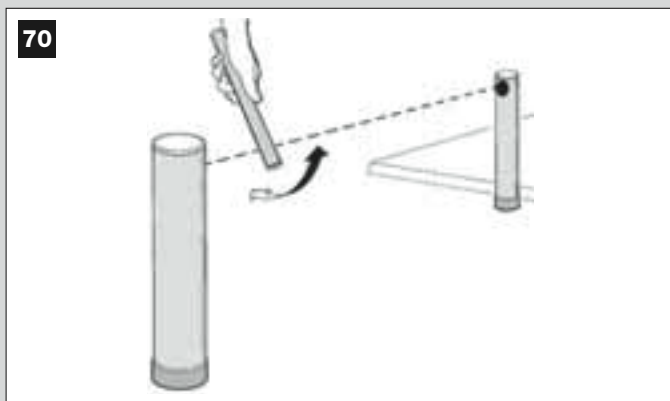
Nota – Il dispositivo di sconnessione non è fornito con il prodotto.

COLLAUDO E MESSA IN SERVIZIO DELL'AUTOMAZIONE

Queste sono le fasi più importanti nella realizzazione dell'automazione, al fine di garantire la massima sicurezza dell'impianto. La procedura di collaudo descritta può essere usata anche per verificare periodicamente i dispositivi che compongono l'automazione. Le fasi del collaudo e della messa in servizio dell'automazione devono essere eseguite da personale qualificato ed esperto che dovrà farsi carico di stabilire le prove necessarie a verificare le soluzioni adottate nei confronti dei rischi presenti, e di verificare il rispetto di quanto previsto da leggi, normative e regolamenti: in particolare, di tutti i requisiti della norma EN 12445 che stabilisce i metodi di prova per la verifica degli automatismi per cancelli.

COLLAUDO DELL'AUTOMAZIONE

- 1 Verificare che sia stato rispettato rigorosamente quanto previsto nel PASSO 1 in materia di sicurezza.
- 2 Utilizzando il trasmettitore, effettuare delle prove di chiusura e apertura del cancello, accertando se il movimento dell'anta corrisponde a quanto previsto.
Conviene eseguire diverse prove al fine di valutare la scorrevolezza del cancello e accertare eventuali difetti di montaggio, di regolazione, nonché la presenza di particolari punti d'attrito.
- 3 Verificare uno ad uno il corretto funzionamento di tutti i dispositivi di sicurezza presenti nell'impianto (fotocellule, bordi sensibili ecc.). **Fotocellule:** far intervenire il dispositivo durante una manovra di *Apertura* o *Chiusura* e verificare che la Centrale fermi la manovra ed esegua un'inversione totale del movimento (il lampeggiante emetta 2 lampeggi, ripetuti una seconda volta). **Bordi sensibili:** far intervenire il dispositivo durante una manovra di *Apertura* o *Chiusura* e verificare che la Centrale fermi la manovra ed esegua una breve inversione del movimento (il lampeggiante emetta 4 lampeggi, ripetuti una seconda volta).
- 4 Verificare che non vi siano interferenze tra le fotocellule e altri dispositivi interrompendo con un cilindro (diametro 5 cm, lunghezza 30 cm) l'asse ottico che unisce la coppia di fotocellule (fig. 70): passare il cilindro prima vicino alla fotocellula TX, poi vicino alla RX e infine al centro, tra le due fotocellule. Quindi, accertare che il dispositivo intervenga in tutti i casi, passando dallo stato di attivo a quello di allarme e viceversa; infine, accertare che provochi nella Centrale l'azione prevista (ad esempio, l'inversione del movimento nella manovra di *Chiusura*).
- 5 Eseguire la misura della forza d'impatto secondo quanto previsto dalla norma EN 12445 ed eventualmente, se il controllo della "forza motore" viene usato come ausilio al sistema per la riduzione della forza di impatto, provare e infine trovare la regolazione che dia i risultati migliori.
- 6 Comandare una manovra di *Chiusura* e verificare la forza dell'impatto dell'anta contro la battuta del fincorsa meccanico. Se necessario, provare a scaricare la pressione, trovando una regolazione che dia risultati migliori.



MESSA IN SERVIZIO DELL'AUTOMAZIONE

La messa in servizio può avvenire solo dopo aver eseguito con esito positivo tutte le fasi di collaudo. Non è consentita la messa in servizio parziale o in situazioni "provvisorie".

- 1 Realizzare il fascicolo tecnico dell'automazione che dovrà comprendere i seguenti documenti: un disegno complessivo (vedere l'esempio di fig. 8), lo schema dei collegamenti elettrici effettuati (vedere l'esempio di fig. 26), l'analisi dei rischi presenti e le relative soluzioni adottate (vedere nel sito www.moovo.com i moduli da compilare), la dichiarazione di conformità del fabbricante di tutti i dispositivi utilizzati e la dichiarazione di conformità compilata dall'installatore (vedere nella sezione "DOCUMENTAZIONE TECNICA").
- 2 Apporre sul cancello una targhetta contenente almeno i seguenti dati: tipo di automazione, nome e indirizzo del costruttore (responsabile della "messa in servizio"), numero di matricola, anno di costruzione e marchio "CE".
- 3 Compilare e consegnare al proprietario dell'automazione la dichiarazione di conformità; a tale scopo deve essere compilato il modulo "**Dichiarazione CE di conformità**" presente nella sezione "DOCUMENTAZIONE TECNICA".
- 4 Compilare e consegnare al proprietario dell'automazione il modulo "**Manuale per l'uso**" presente nella sezione "DOCUMENTAZIONE TECNICA".
- 5 Compilare e consegnare al proprietario dell'automazione il modulo "**Piano di manutenzione**" presente nella sezione "DOCUMENTAZIONE TECNICA", che raccoglie le prescrizioni sulla manutenzione di tutti i dispositivi dell'automazione.
- 6 Prima di mettere in servizio l'automatismo informare adeguatamente il proprietario sui pericoli ed i rischi residui ancora presenti.

INTERVENTI DI MANUTENZIONE PERIODICA

In generale, il presente prodotto non necessita di manutenzioni particolari; tuttavia, un controllo regolare nel tempo consente di mantenere in efficienza l'impianto e di assicurare il regolare funzionamento dei sistemi di sicurezza installati.

Quindi, per effettuare una manutenzione corretta, fare riferimento al capitolo "**Piano di Manutenzione**" presente nella sezione "DOCUMENTAZIONE TECNICA" alla fine del manuale.

SMALTIMENTO DEL PRODOTTO

Questo prodotto è parte integrante dell'automazione, e dunque, deve essere smaltito insieme con essa.

Come per le operazioni d'installazione, anche al termine della vita di questo prodotto, le operazioni di smantellamento devono essere eseguite da personale qualificato.

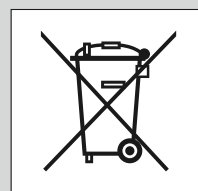
Questo prodotto è costituito da vari tipi di materiali: alcuni possono essere riciclati, altri devono essere smaltiti. Informatevi sui sistemi di riciclaggio o smaltimento previsti dai regolamenti vigenti sul vostro territorio, per questa categoria di prodotto.

Attenzione! – alcune parti del prodotto possono contenere sostanze inquinanti o pericolose che, se disperse nell'ambiente, potrebbero pro-

vocare effetti dannosi sull'ambiente stesso e sulla salute umana.

Come indicato dal simbolo a lato, è vietato gettare questo prodotto nei rifiuti domestici. Eseguire quindi la "raccolta separata" per lo smaltimento, secondo i metodi previsti dai regolamenti vigenti sul vostro territorio, oppure riconsegnare il prodotto al venditore nel momento dell'acquisto di un nuovo prodotto equivalente.

Attenzione! – i regolamenti vigenti a livello locale possono prevedere pesanti sanzioni in caso di smaltimento abusivo di questo prodotto.



CARATTERISTICHE TECNICHE DEI VARI COMPONENTI DEL PRODOTTO

AVVERTENZE:

- Il prodotto XA4... è prodotto da Nice S.p.a. (TV) I. **Moovo** è un marchio di Nice S.p.a.
- Tutte le caratteristiche tecniche riportate, sono riferite ad una temperatura ambientale di 20°C (± 5°C).
- Nice S.p.a. si riserva il diritto di apportare modifiche al prodotto in qualsiasi momento lo riterrà necessario, mantenendone comunque la stessa funzionalità e destinazione d'uso.

MOTORIDUTTORI XA4...

Nota - Il modello XA432e contiene all'interno la Centrale di comando.

DESCRIZIONE	DATI			
	Mod. XA432		Mod. XA432e	
Alimentazione	12 Vdc		230 Vac - 50/60 Hz	
Potenza massima assorbita (W) del motore	250 W			
Coppia massima	150 N			
Coppia nominale	70 N			
Velocità a vuoto	<i>lento</i> 4,5° / sec	<i>veloce</i> 9° / sec	<i>lento</i> 4,5° / sec	<i>veloce</i> 9° / sec
Velocità nominale	3° / sec	6° / sec	3° / sec	6° / sec
Cicli / h alla coppia nominale (20°)	8			
Frequenza massima di cicli di funzionamento continuo	5			
Temp. di funzionamento	- 20 / + 50° C			
Dimensioni	253 x 155 h x 235 mm			
Peso	6.2 kg		6.3 kg	
Grado di protezione	IP 44			
Durabilità stimata (*)	da 50.000 a 100.000 cicli di manovre			

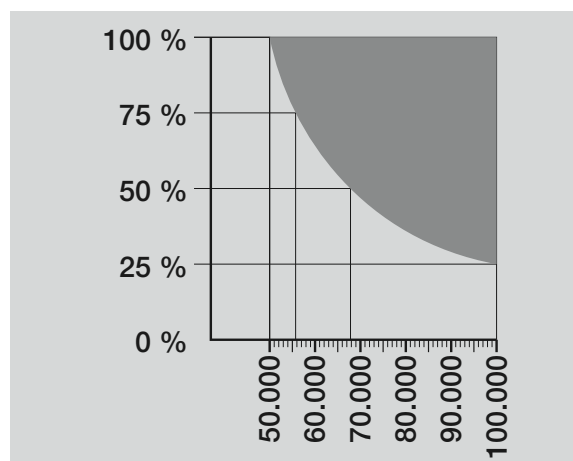
(*) *Nota* - La durabilità stimata del prodotto è compresa tra 50.000 e 100.000 cicli di manovre. Per stabilire la durabilità probabile del vostro automatismo procedere nel modo seguente:

a) - valutare le condizioni di uso e le forze in gioco presenti nel vostro impianto come ad esempio...

- il peso e la lunghezza dell'anta;
- il perfetto bilanciamento dell'anta;
- lo stato di manutenzione dei cardini dell'anta;
- la tipologia dell'anta: cieca o con molte aperture;
- presenza di vento forte;
- frequenza di uso dell'automazione.

b) - ricavare da queste valutazioni un valore espresso in percentuale che, in generale, definisca il maggiore o minore grado di logorio dell'automatismo.

c) - individuare nel grafico di a lato la percentuale stimata (al punto "b") e leggere in corrispondenza di questa il numero di cicli di manovre.



LAMPEGGIANTE MF

DESCRIZIONE	DATI
Tipologia	Luce di segnalazione lampeggiante per automatismi su cancelli e portoni
Tecnologia adottata	Segnalazione luminosa con lampada comandata dalle Centrali Moovo con sistema "Bus" per automazione
Lampada	12 V 21 W attacco BA15 (lampada tipo automobilistico)
Alimentazione	Il dispositivo deve essere collegato al morsetto "Bus" delle Centrali Moovo per automazioni
Temperatura ambientale di funzionamento	-20 ÷ 50°C
Utilizzo in atmosfera acida, salina o potenzialmente esplosiva	No
Montaggio	Verticale su piano; oppure orizzontale a parete
Grado di protezione	IP 44
Dimensioni	135 x 120 h x 110 mm
Peso	340 g

TRASMETTITORE MT4

DESCRIZIONE	DATI
Tipologia	Trasmettitori radio per comandare automatismi su cancelli e portoni
Tecnologia adottata	Modulazione codificata AM OOK radio
Frequenza	433.92 MHz (\pm 100 kHz)
Codifica	Rolling code con codice a 64 Bit (18 miliardi di miliardi di combinazioni)
Tasti	4 (i tasti possono essere utilizzati per memorizzare i diversi comandi della stessa Centrale o di Centrali diverse)
Potenza irradiata	1 dBm e.r.p.
Alimentazione	3 V +20% -40% con 1 batteria al Litio tipo CR2032
Durata delle batterie	3 anni, stimata su una base di 10 comandi/giorno della durata di 1s a 20°C (alle basse temperature l'efficienza delle batterie diminuisce)
Temperatura ambientale di funzionamento	-20 ÷ 50°C
Utilizzo in atmosfera acida, salina o potenzialmente esplosiva	No
Grado di protezione	IP 40 (utilizzo in casa o ambienti protetti)
Dimensioni	40 x 70 h x 8 mm
Peso	25 g
Portata	stimata 200 m all'esterno; 35 m all'interno di edifici (*)

(*) La portata del Trasmettitori e la capacità di ricezione del Ricevitore è fortemente influenzata da altri dispositivi (ad esempio: allarmi, radiocuffie, ecc..) che operano nella vostra zona, alla stessa frequenza. Quindi, nei casi di interferenze, Nice non può offrire nessuna garanzia circa la reale portata dei propri dispositivi.

FOTOCELLULE MP

DESCRIZIONE	DATI
Tipologia	Rilevatore di presenza per automatismi su cancelli e portoni (tipo D secondo norma EN 12453) composto da una coppia di trasmettitore "TX" e ricevitore "RX"
Tecnologia adottata	Ottica, mediante interpolazione diretta TX-RX con raggio infrarosso modulato
Capacità di rilevamento	Oggetti opachi posti sull'asse ottico tra TX-RX con dimensioni maggiori di 50 mm e velocità minore di 1,6 m/s
Angolo di trasmissione TX	20° circa
Angolo di ricezione RX	20° circa
Portata utile	Fino a 7 m per disassamento TX-RX massimo \pm 4° (il dispositivo può segnalare un ostacolo anche in caso di condizioni meteorologiche particolarmente avverse)
Alimentazione / Uscita	Il dispositivo deve essere collegato a reti "Bus" Moovo, dalla quale preleva l'alimentazione elettrica e invia i segnali di uscita
Potenza assorbita	450mW in funzionamento; 40mW in stand by
Lunghezza massima cavi	Fino a 20 m (rispettare le avvertenze per la sezione minima ed il tipo di cavi)
Possibilità di indirizzamento	Fino a 6 rilevatori con funzione di protezione e fino 4 con funzione di comando di apertura. Il sincronismo automatico evita l'interferenza fra i vari rilevatori.
Temperatura ambientale di funzionamento	-20 ÷ 50°C
Utilizzo in atmosfera acida, salina o potenzialmente esplosiva	No
Montaggio	Verticale su piano; oppure orizzontale a parete
Grado di protezione	IP 44
Dimensioni	50 x 85h x 35 mm
Peso (coppia)	140 g

TASTIERA MK

DESCRIZIONE	DATI
Tipologia	Tastiera a 5 tasti con possibilità di azionare l'automazione con e senza l'inserimento di combinazione
Tecnologia adottata	Possibilità di inserimento di un codice di attivazione fino a 10 cifre (oltre 1 milione di possibili combinazioni)
Alimentazione / Uscita	Il dispositivo deve essere collegato a reti "Bus" Moovo, dalla quale preleva l'alimentazione elettrica e invia i segnali di uscita
Potenza assorbita	120mW in funzionamento; 45mW in stand by
Temperatura ambientale di funzionamento	-20 ÷ 50°C
Utilizzo in atmosfera acida, salina o potenzialmente esplosiva	No
Montaggio	Verticale a parete
Grado di protezione	IP 44
Dimensioni	50 x 85h x 35 mm
Peso	80 g

COSA FARE SE... (guida alla risoluzione dei problemi)

Durante il regolare funzionamento, la Centrale tiene costantemente sotto controllo i processi dell'automazione ed è in grado di segnalare eventuali anomalie, attraverso predeterminate sequenze di lampeggi emesse dal segnalatore lampeggiante e dal Led rosso "L1", presente sulla Centrale (i lampeggi diagnostici si riferiscono sempre all'ultima azione compiuta dall'automazione). Per comprendere la relazione fra il numero dei lampeggi emessi e la causa che li ha determinati, fare riferimento alla seguente **Tabella 6**:

TABELLA 6		
Lampeggi	Problema	Risoluzione
2 lampeggi - <i>pausa</i> - 2 lampeggi	Durante la manovra di <i>Apertura</i> o <i>Chiusura</i> le ante si bloccano o invertono la manovra in atto.	Questo comportamento è determinato dall'intervento di una specifica coppia di fotocellule, presente nell'impianto, che rileva un ostacolo. Quindi rimuovere l'ostacolo presente sulla traiettoria di queste fotocellule.
3 lampeggi - <i>pausa</i> - 3 lampeggi	<ul style="list-style-type: none"> • Durante la manovra di <i>Apertura</i> o <i>Chiusura</i> le ante si bloccano improvvisamente e la Centrale esegue l'inversione <u>totale</u> della manovra in atto, raggiungendo il finecorsa. • Durante la manovra di <i>Apertura</i> o <i>Chiusura</i> la Centrale blocca improvvisamente la manovra ed esegue una prima inversione <u>parziale</u> della manovra in atto, senza raggiungere il finecorsa, e consecutivamente altre due inversioni parziali con il blocco definitivo del movimento. 	Le ante hanno incontrato un maggior attrito a causa di un ostacolo improvviso (una raffica di vento, un veicolo, una persona, ecc.). Se eventualmente serve regolare la loro sensibilità verso gli ostacoli, fare riferimento al capitolo " Regolazioni e altre funzioni opzionali ".
4 lampeggi - <i>pausa</i> - 4 lampeggi	Durante la manovra di <i>Apertura</i> o <i>Chiusura</i> le ante si bloccano improvvisamente e la Centrale esegue un "Alt" seguito da una breve inversione del movimento.	Eventuali dispositivi di sicurezza installati (diversi dalle fotocellule, come ad esempio i bordi sensibili), hanno rilevato un ostacolo improvviso. Quindi, rimuovere l'ostacolo.
5 lampeggi - <i>pausa</i> - 5 lampeggi	L'automazione non risponde ai comandi inviati.	È presente un errore nella configurazione del sistema. Quindi, eseguire di nuovo l'installazione.
6 lampeggi - <i>pausa</i> - 6 lampeggi	Dopo una serie di manovre comandate consecutivamente l'automazione si blocca.	È stato superato il limite massimo consentito di manovre consecutive generando un eccessivo surriscaldamento. Quindi, attendere alcuni minuti per consentire alla temperatura di ritornare al di sotto del limite massimo prefissato.
7 lampeggi - <i>pausa</i> - 7 lampeggi	L'automazione non risponde ai comandi inviati.	C'è un guasto nei circuiti elettrici interni. Quindi scollegare tutti i circuiti di alimentazione; attendere qualche secondo e collegarli di nuovo. Dare un nuovo comando e, se l'automazione non risponde, significa che c'è un guasto grave sulla scheda elettrica della Centrale oppure sul cablaggio del motore. Dunque, fare le verifiche e le eventuali sostituzioni.
8 lampeggi - <i>pausa</i> - 8 lampeggi	L'automazione non risponde ai comandi inviati.	C'è un guasto nei circuiti elettrici del "Bus". Verificare uno ad uno il funzionamento dei dispositivi collegati. Questi potrebbero essere in cortocircuito o non funzionare correttamente.

AVERTISSEMENTS ET PRÉCAUTIONS GÉNÉRALES POUR LA SÉCURITÉ

PHASE 1

– Opérer en conditions de sécurité !	4
– Avertissements pour l'installation	4

CONNAISSANCE DU PRODUIT ET PRÉPARATION À L'INSTALLATION

PHASE 2

2.1 - Description du produit et application	5
2.2 - Composants utiles pour réaliser une installation complète	5

PHASE 3

Contrôles avant l'installation	6
3.1 - Vérifier que l'environnement est adapté et que le portail à automatiser est compatible	6
3.2 - Vérifier les limites d'application du produit	6

PHASE 4

4.1 - Travaux préalable	7
- 4.1.1 - Installation typique de référence	7
- 4.1.2 - Établir la position des différents composants	7
- 4.1.3 - Établir suivant quel schéma connecter les dispositifs	7
- 4.1.4 - Vérifier les équipements nécessaires pour effectuer le travail	8
- 4.1.5 - Effectuer les travaux préalable	8
4.2 - Préparation des câbles électriques	8

INSTALLATION : MONTAGE ET CONNEXIONS DES COMPOSANTS

PHASE 5

5.1 - Installer les composants de l'automatisme	10
5.2 - Réglage du fin de course mécanique en <i>Overture</i>	12

PHASE 6

– Effectuer l'installation et le branchement des dispositifs présents dans l'installation	13
6.1 - Régler l'ordre d'ouverture des vantaux du portail	14
– Comment extraire la logique de commande de l'opérateur	15
6.2 - Installer et connecter l'opérateur sans logique de commande	16
6.3 - Installer et connecter l'indicateur clignotant mod. MF	17
6.4 - Installer et connecter les photocellules mod. MP	19
– Sélection du mode de fonctionnement de la paire de photocellules	20
6.5 - Installer et connecter le clavier mod. MK	21
6.6 - Installer la batterie tampon mod. MB	22

BRANCHEMENT AU SECTEUR

PHASE 7	23
----------------	----

PREMIÈRE MISE EN SERVICE ET VÉRIFICATION DES CONNEXIONS ÉLECTRIQUES

PHASE 8	23
----------------	----

PROGRAMMATION DE L'AUTOMATISME

PHASE 9

9.1 - Mémorisation des dispositifs connectés par câble « Bus » et des positions de fin de course « 0 » et « 1 » des vantaux	24
9.2 - Mémorisation de l'émetteur mod. MT4	24
9.3 - Programmation du clavier mod. MK	25

RÉGLAGES ET AUTRES FONCTIONS EN OPTION

10 - Réglage du fonctionnement de l'automatisme	26
11 - Mémorisation d'un nouvel émetteur avec la procédure « à proximité » de la logique de commande	26
12 - Effacement des données présentes dans la mémoire de la logique de commande	27

OPÉRATIONS RÉSERVÉES À UN TECHNICIEN QUALIFIÉ

– Connexion de l'automatisme au secteur avec un câble différent du câble fourni	28
– Essai et mise en service de l'automatisme	29
– Mise au rebut du produit	29

CARACTÉRISTIQUES TECHNIQUES DES DIFFÉRENTS COMPOSANTS DU PRODUIT

30

QUE FAIRE SI..... (guide à la résolution des problèmes)

32

Annexes : « DOCUMENTATION TECHNIQUE »

I-VII

PHASE 1

OPÉRER EN CONDITIONS DE SÉCURITÉ !

⚠ Attention - Pour la sécurité des personnes, il est important de respecter ces instructions.

⚠ Attention - Instructions importantes pour la sécurité : conserver par conséquent ces instructions.

La conception, la fabrication des dispositifs qui composent le produit et les informations contenues dans ce guide respectent pleinement les normes en vigueur en matière de sécurité. Toutefois, une installation et une programmation incorrectes peuvent causer de graves blessures aux personnes qui effectuent le travail et à celles qui utiliseront l'installation. Pour cette raison, au cours de l'installation, il est important de suivre attentivement toutes les instructions figurant dans ce guide.

Ne pas effectuer l'installation si le moindre doute persiste et demander les éclaircissements nécessaires au Service après-vente Moovo.

Si c'est la première fois que vous vous apprêtez à monter un automate pour portails ou portes battantes, nous vous conseillons de consacrer un peu de votre temps à la lecture de ce guide. Il est préférable de le faire avant de commencer le travail, sans être pressé de passer aux opérations concrètes.

D'autre part, gardez à portée de la main tous les dispositifs qui composent le produit, afin de pouvoir lire, essayer et vérifier (en excluant les phases de programmation) toutes les informations contenues dans ce guide.

Dans la lecture de ce guide, il faut faire particulièrement attention aux instructions signalées par le symbole :



Ces symboles indiquent des points qui peuvent être une source potentielle de danger et par conséquent, les opérations en question doivent être effectuées exclusivement par du personnel qualifié et expérimenté, dans le respect de ces instructions et des normes de sécurité en vigueur dans le pays d'installation.

⚠ AVERTISSEMENTS POUR L'INSTALLATION

D'après la législation européenne la plus récente, la réalisation d'une porte ou d'un portail automatique doit respecter les normes prévues par la Directive 98/37/CE (Directive Machines) et en particulier par les normes EN 12445, EN 12453, EN 12635 et EN 12341-1, qui permettent de déclarer la conformité présumée de l'automatisme.

De ce fait,

le branchement définitif de l'automatisme au secteur, l'essai de fonctionnement de l'installation, sa mise en service et la maintenance périodique doivent être effectués par du personnel qualifié et expert, en respectant les instructions figurant dans l'encadré « Opérations réservées à un technicien qualifié ». De plus, ce dernier devra se charger d'établir également les essais prévus en fonction des risques présents et devra vérifier le respect de ce qui est prévu par les lois, les normes et les réglementations : en particulier, le respect de toutes les exigences requises par la norme EN 12445 qui établit les méthodes d'essai pour la vérification des automatismes pour portails.

En effet, en ce qui concerne tous les travaux de préparation initiale, d'installation et de programmation, ces derniers peuvent être effectués également par du personnel qui n'est pas particulièrement qualifié, à condition de respecter scrupuleusement et dans l'ordre indiqué, toutes les instructions données dans ce guide et, en particulier, les recommandations de cette PHASE 1.

Avant de commencer l'installation, effectuer les analyses et vérifications suivantes :

– vérifier que les différents dispositifs destinés à l'automatisme sont adaptés à l'installation à réaliser. Pour cela, contrôler avec une attention particulière les données figurant dans le chapitre « Caractéristiques tech-

niques ». Ne pas effectuer l'installation si même un seul de ces dispositifs n'est pas adapté à l'utilisation.

– vérifier si les dispositifs présents dans le kit sont suffisants pour garantir la sécurité de l'installation et sa fonctionnalité.

– effectuer l'analyse des risques qui doit comprendre aussi la liste des exigences essentielles de sécurité requises par l'« annexe I de la Directive Machines », en indiquant les solutions adoptées. Nous rappelons que l'analyse des risques est l'un des documents qui constituent le « dossier technique » de l'automatisation. Ce dernier doit être rempli par un installateur professionnel.

Compte tenu des situations de risque qui peuvent se vérifier durant les phases d'installation et d'utilisation du produit, il faut installer l'automatisme en respectant les recommandations qui suivent :

– ne pas effectuer de modifications sur des parties de l'automatisme quelles qu'elles soient, en dehors de celles qui sont décrites dans ce guide. Des opérations de ce type ne peuvent que provoquer des problèmes de fonctionnement. Le constructeur décline toute responsabilité pour les dommages dérivant de produits modifiés arbitrairement.

– éviter que des composants de l'automatisme puissent être immergés dans l'eau ou dans d'autres substances liquides. Durant l'installation éviter que les liquides puissent pénétrer à l'intérieur des opérateurs et des dispositifs présents.

– si des substances liquides pénètrent à l'intérieur de certains composants de l'automatisme, déconnecter immédiatement l'alimentation électrique et s'adresser au Service après-vente Moovo. L'utilisation de l'automatisme dans ces conditions peut constituer des situations de danger.

– ne pas mettre les différents composants de l'automatisme à proximité de sources de chaleur ni l'exposer à des flammes vives. Ces actions peuvent les endommager et causer des problèmes de fonctionnement, un incendie ou des situations de danger.

– toutes les opérations qui demandent l'ouverture du carter de protection des différents composants de l'automatisme, doivent être effectuées avec la logique de commande déconnectée. Si le dispositif de déconnexion n'est pas visible, y accrocher un panneau indiquant : « ATTENTION ! MAINTENANCE EN COURS ».

– le produit ne peut pas être considéré comme un système de protection efficace contre l'intrusion. Si vous souhaitez vous protéger de manière efficace, vous devez compléter l'automatisme avec d'autres dispositifs.

– la logique de commande doit être connectée à une ligne d'alimentation électrique avec mise à la terre.

– le produit peut être utilisé exclusivement après que la « mise en service » de l'automatisme a été effectué, comme prévu dans le paragraphe « Essai et mise en service de l'automatisme » figurant dans l'encadré « Opérations réservées à un technicien qualifié ».

– Les matériaux d'emballage de tous les composants de l'automatisme doivent être mis au rebut dans le plein respect des normes locales en vigueur.

PHASE 2

2.1 – DESCRIPTION DU PRODUIT ET APPLICATION

L'ensemble des dispositifs qui composent le présent produit sert à automatiser un portail ou une porte à deux vantaux (fig. 1a). De plus, il est possible d'automatiser aussi des portails ou des portes avec un seul vantail (fig. 1b).

Toute autre utilisation différente de celle décrite et dans des conditions ambiantes différentes de celles indiquées dans la PHASE 3 doit être considérée comme impropre et interdite !

La partie principale de l'automatisme est composée de deux opérateurs électromécaniques munis chacun d'un moteur en courant continu à 12 V et d'un réducteur avec engrenages à dents droites. L'un des opérateurs contient aussi une logique de commande.

La logique de commande et alimente tous les dispositifs présents dans l'automatisme en en gérant le fonctionnement. Elle est formée d'une carte et d'un récepteur radio incorporé qui reçoit les commandes envoyées par un émetteur. De plus, elle peut être commandée également par un clavier mural ou par une paire de photocellules programmées uniquement pour la commande d'Ouverture.

La logique de commande est en mesure de gérer différents types de manœuvres, chacune programmable et utilisable suivant les exigences de l'utilisateur.

Par ailleurs, elle dispose de différentes fonctions spéciales qui permettent de personnaliser les paramètres de l'automatisme.

L'automatisme est prévu pour l'utilisation de différents accessoires qui en augmentent la fonctionnalité et garantissent la sécurité. En particulier, la logique de commande peut mémoriser jusqu'à 150 touches d'émetteurs MT4 ; jusqu'à 4 claviers de commande MK ou en alternative jusqu'à 4 paires de photocellules MP, configurées uniquement pour la commande d'ouverture.

La connexion des différents dispositifs s'effectue en utilisant le système « Bus ». Ce système réduit la complexité de la connexion entre les différents dispositifs, car il prévoit de n'utiliser qu'un seul câble entre un dispositif et l'autre.

Le produit fonctionne sur secteur et, en cas de coupure de courant, il per-

met de débrayer manuellement les opérateurs et de déplacer à la main les vantaux du portail.

Il est quand même possible de manœuvrer le portail en utilisant la batterie tampon (modèle MB) si elle est présente dans l'installation.

2.2 – COMPOSANTS UTILES POUR RÉALISER UNE INSTALLATION COMPLÈTE

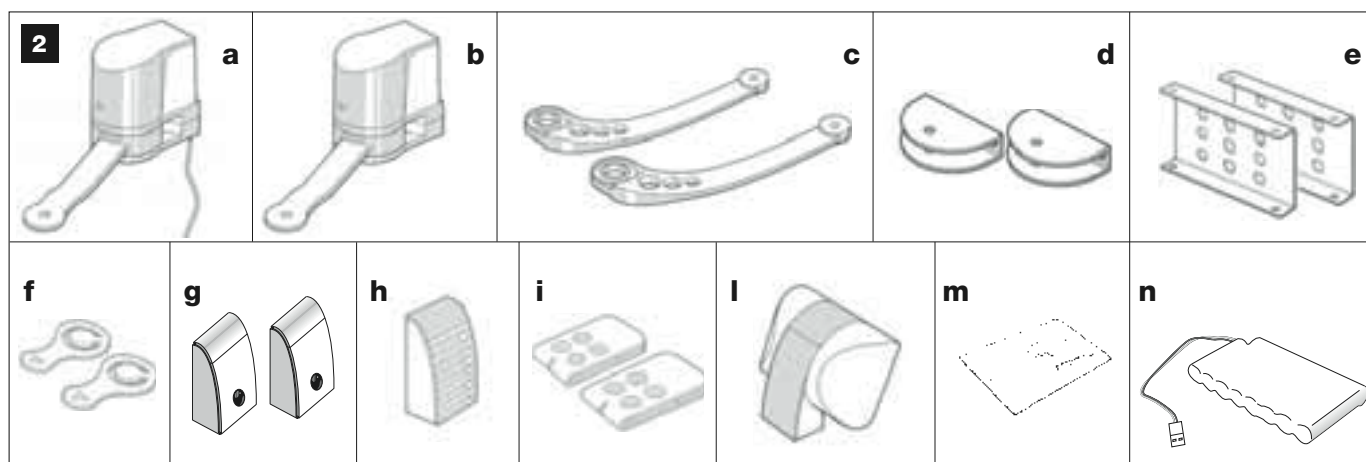
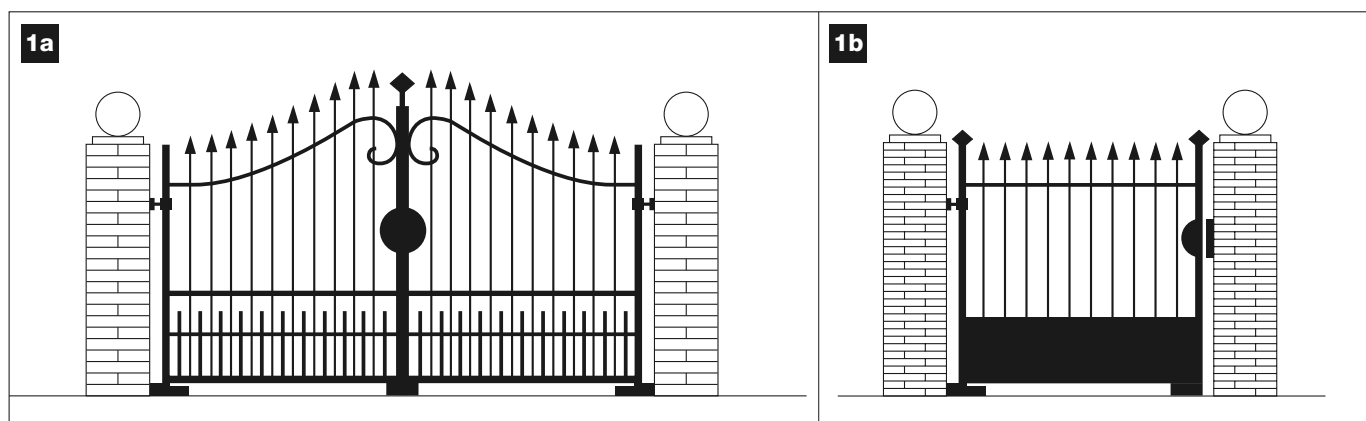
La fig. 2 illustre tous les composants utiles pour réaliser une installation complète, type celle qui est illustrée fig. 8.

AVERTISSEMENT !

Certains composants présents sur la fig. 2 sont en option et peuvent ne pas être présents dans l'emballage.

Liste des composants utiles :

- [a] - opérateur électromécanique avec logique de commande
- [b] - opérateur électromécanique sans logique de commande
- [c] - bras courbes
- [d] - pattes avant (pour la fixation des opérateurs au portail)
- [e] - supports arrière (pour la fixation des opérateurs au mur)
- [f] - clés pour le débrayage manuel des opérateurs
- [g] - paire de photocellules mod. MP (version murale)
- [h] - clavier de commande mod. MK (version murale)
- [i] - émetteur portable mod. MT4
- [l] - indicateur clignotant mod. MF
- [m] - petites pièces métalliques (vis, rondelles, etc.)
- [n] - batterie tampon mod. MB



PHASE 3

CONTRÔLES AVANT L'INSTALLATION

Avant d'effectuer l'installation, il faut vérifier l'intégrité des composants du produit, l'adéquation du modèle choisi et son adaptation au lieu prévu pour son installation.

IMPORTANT – Les opérateurs ne peuvent pas automatiser un portail qui ne fonctionne pas déjà correctement ou qui n'est pas sûr. De plus, ils ne peuvent pas résoudre des défauts causés par une installation erronée ou par une mauvaise maintenance du portail.

3.1 – VÉRIFIER QUE LE LIEU ET LA PORTE DE GARAGE À AUTOMATISER SONT APPROPRIÉS

- Vérifier que la structure mécanique du portail est adaptée pour être équipée d'un automatisme et conforme aux normes locales en vigueur (éventuellement, se référer aux données figurant sur la plaque signalétique du portail).
- Ouvrir et fermer manuellement les vantaux afin de s'assurer que le mouvement se produit avec un frottement égal et constant sur chaque point de la course (il ne doit pas y avoir de moments d'effort excessif).
- Mettre manuellement les vantaux dans une position quelconque et les lâcher pour vérifier qu'ils ne bougent pas.
- Vérifier dans l'environnement où sera fixé l'opérateur, qu'il y a suffisamment d'espace pour le mouvement de rotation du bras (fig. 7).
- Vérifier que l'espace autour des opérateurs permet de procéder au débrayage manuel de manière aisée et sûre.
- Vérifier que les surfaces choisies pour installer les divers dispositifs sont solides et peuvent garantir une fixation stable.
- Vérifier que chaque dispositif à installer se trouve dans une position protégée, à l'abri des chocs accidentels.
- Vérifier que les surfaces choisies pour la fixation des photocellules sont plates et permettent leur alignement correct.

3.2 – VÉRIFIER LES LIMITES D'UTILISATION DU PRODUIT

Les opérateurs doivent être installés en fixant leur support arrière sur le mur (ou sur le pilier) du portail et la patte qui soutient le bras sur le vantail. Pour s'assurer que le produit est adapté aux particularités du portail et au contexte spécifique à automatiser, il est nécessaire d'effectuer les vérifications indiquées ci-dessous et de contrôler leur conformité avec les données présentes dans ce paragraphe ainsi qu'avec les données techniques du chapitre « Caractéristiques techniques du produit ».

1 – Vérifier que les dimensions et le poids de chaque vantail se situent dans les limites d'application suivantes, en se référant au graphique 1 :

- largeur maximum 1,80 m ;
- hauteur maximum 2 m ;
- poids maximum 250 kg.

2 – Vérifier que la température minimum et maximum du lieu d'installation rentre dans les limites de température préétablies pour le fonctionnement du présent produit. Se référer aux **données techniques du chapitre** « Caractéristiques techniques du produit ».

3 – Considérant d'où arrive la ligne électrique (si elle est déjà prête) destinée à l'alimentation de l'installation, établir sur quel vantail du portail sera fixé l'opérateur avec la logique de commande.

4 – En se référant aux distances indiquées dans les fig. 3-4-5-6-7 et aux notes qui suivent, vérifier sur chaque vantail et sur le mur (ou pilier) adjacent qu'il y a suffisamment de place pour installer l'opérateur :

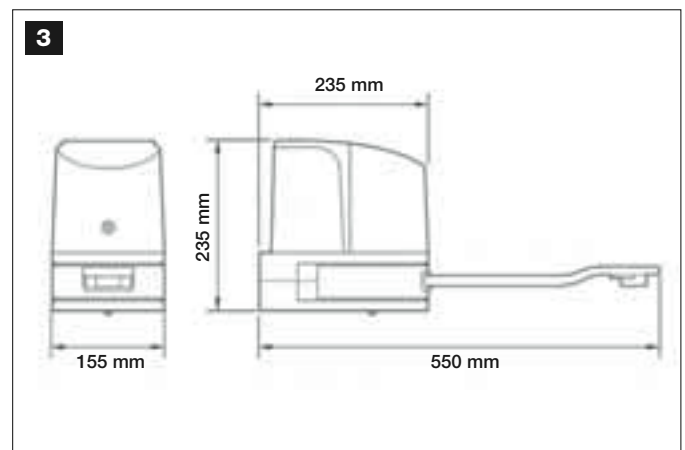
a) Fig. 3 : indique les dimensions d'encombrement total de l'opérateur.

b) Fig. 4 : indique l'espace dans le sens horizontal, dans lequel monter le support arrière de l'opérateur. La position exacte de ce support doit être calculée en se référant au point 02 de la PHASE 5.

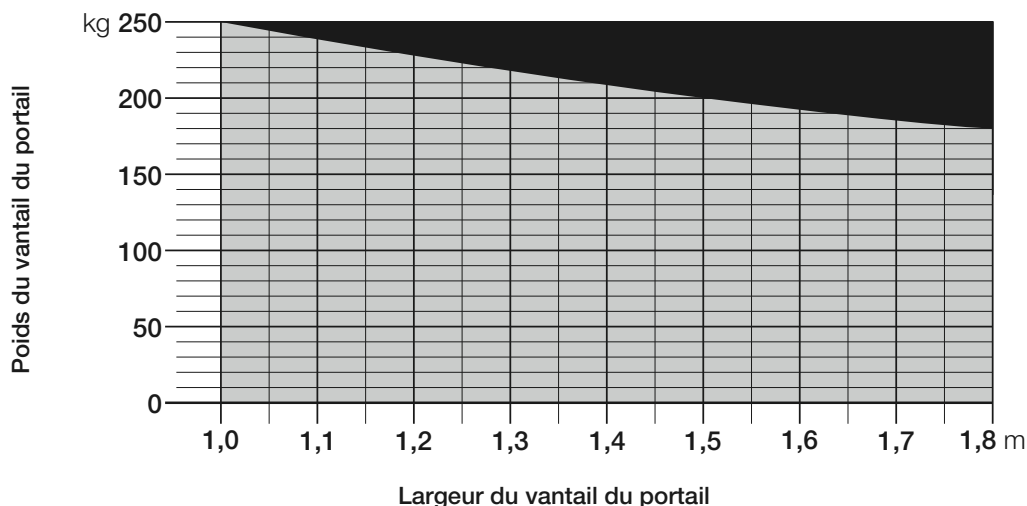
c) Fig. 5 : indique la distance maximum « B » nécessaire entre le point de rotation du vantail et la surface du mur sur lequel le support arrière de l'opérateur sera fixé.

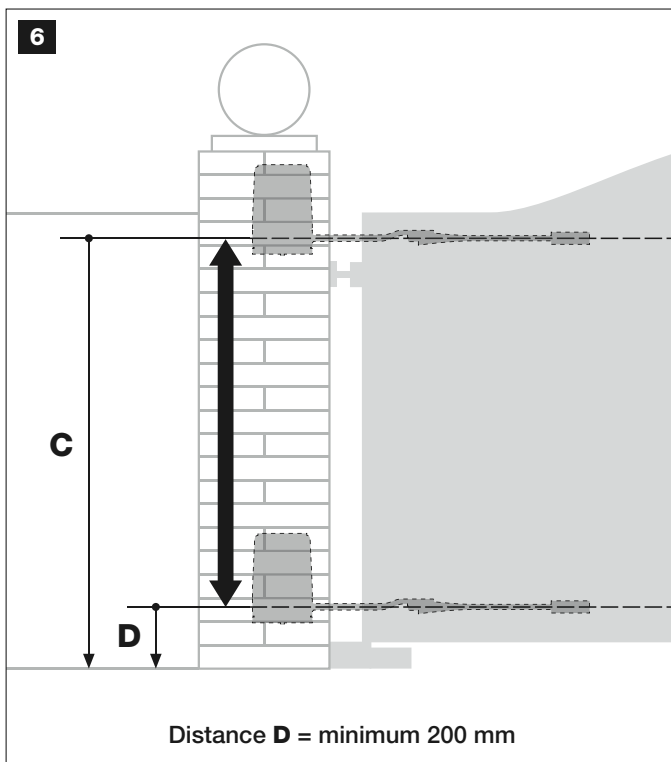
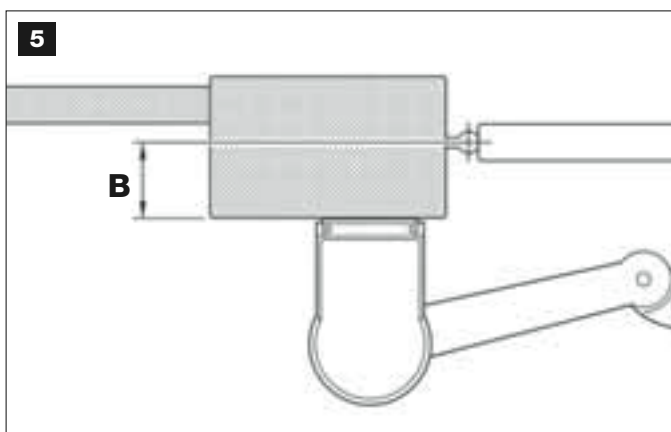
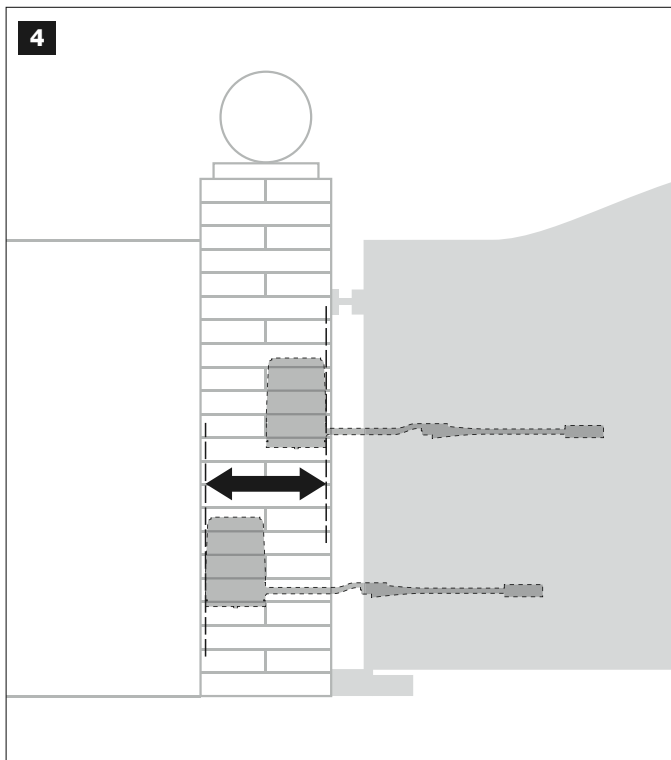
d) Fig. 6 : indique l'espace dans le sens vertical, dans lequel monter l'opérateur. La distance « D » indique la hauteur minimum par rapport au sol (on conseille de prévoir au minimum 200 mm par rapport au sol). La distance « C » (hauteur maximum par rapport au sol) dépend de la hauteur du vantail.

e) Fig. 7 : indique la distance minimum « E » (400 mm) nécessaire entre le bras de l'opérateur et un éventuel obstacle présent (mur, bordure de plate-bande, etc.) quand le vantail est complètement ouvert. **Note** – Cette mesure doit être prise en partant de la ligne médiane de l'opérateur.

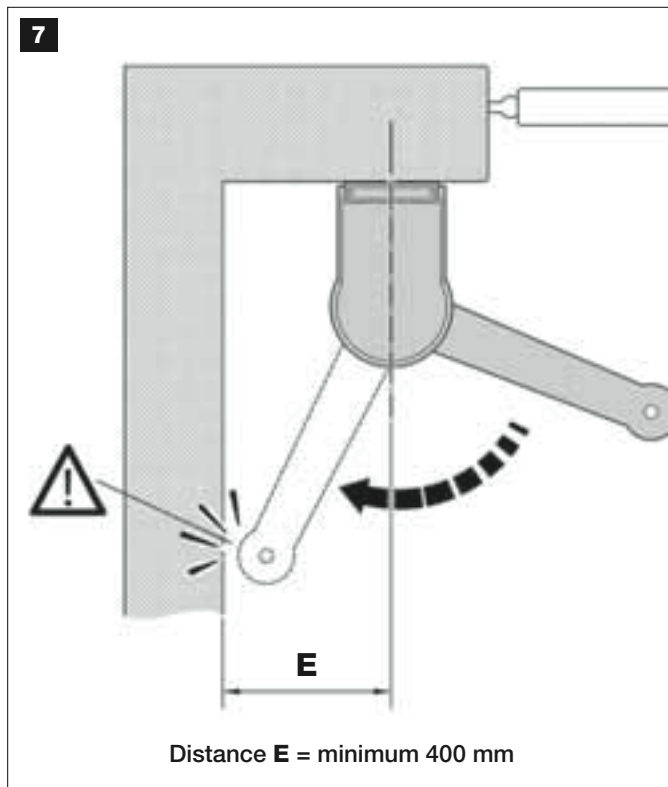


GRAPHIQUE 1





Distance **D** = minimum 200 mm



Distance **E** = minimum 400 mm

PHASE 4

4.1 – TRAVAUX PRÉALABLES

4.1.1 – Installation typique de référence

La fig. 8 montre un exemple d'installation d'automatisation réalisée avec les composants Moovo. Ces composants sont positionnés et assemblés selon un schéma typique et commun. Les composants utilisés sont les suivants :

- a** - Opérateur électromécanique avec logique de commande
- b** - Opérateur électromécanique sans logique de commande
- c** - Supports arrière (au mur)
- d** - Pattes avant (sur le vantail)
- e** - Paire de photocellules (murales)
- f** - Indicateur clignotant
- g** - Clavier de commande (mural)
- h** - Paire de colonnes pour photocellules
- i** - Butées de fin de course en Ouverture (*Note – En alternative, le mouvement du vantail peut se terminer contre une butée naturelle – mur, bordure de plate-bande, etc.– ou utiliser le fin de course mécanique présent dans l'opérateur*)
- l** - Butée de fin de course en Fermeture

4.1.2 – Établir la position des différents composants

en se référant à la fig. 8, établir la position approximative dans laquelle chaque composant prévu sera installé.

4.1.3 – Établir suivant quel schéma connecter les dispositifs

Le produit prévoit une connexion type « Bus » entre tous les dispositifs présents dans l'installation, par l'intermédiaire d'un câble unique avec deux fils électriques à l'intérieur. Dans ce type de connexion, la communication des données entre les dispositifs est filaire, et utilise un protocole spécifique appelé « Bus-Moovo ». **Attention !** – l'installation ne doit contenir que des dispositifs qui supportent ce protocole.

À l'intérieur d'un réseau « Bus » les dispositifs peuvent être connectés en utilisant différents schémas de connexion et, dans chaque schéma,

chaque dispositif devient un nœud de ce réseau. Les schémas de connexion sont les suivants :

– « **en étoile** » : dans ce schéma, chaque dispositif est autonome dans la mesure où il est relié directement aux 2 bornes du « Bus » présents sur la Logique.

– « **en chaîne** » : dans ce schéma, un dispositif est relié à un autre puis celui-ci à un autre encore, comme les maillons d'une chaîne. Par conséquent, seul le premier dispositif de la chaîne est connecté aux 2 bornes du « Bus » présent sur la Logique.

– « **mixte** » : ce schéma est formé d'un mélange des deux schémas décrits.

Pour établir le schéma de connexion le plus approprié au branchement de tous les dispositifs prévus dans l'installation, se référer à l'exemple des fig. 9 et 26. En général, il est conseillé de connecter directement à la Logique, comme premier dispositif, l'indicateur clignotant.

4.1.4 – Vérifier les équipements nécessaires pour effectuer le travail

Avant de commencer l'installation du produit, contrôler d'avoir à disposition tous les outils et les matériaux nécessaires pour effectuer le travail (voir exemple fig. 10). De plus, vérifier que ces derniers sont en bonnes conditions et conformes à ce qui est prévu dans les normes locales sur la sécurité.

4.1.5 – Effectuer les travaux préalables

Enfin, effectuer les travaux pour le creusement des saignées pour les gaines des câbles électriques ou, en alternative, la pose de conduits à l'extérieur, puis la fixation dans le béton des tubes susdits et tous les autres travaux nécessaires pour préparer le site aux opérations successives d'installation.

AVERTISSEMENTS :

- Prévoir le positionnement de l'opérateur avec la logique de commande à proximité du point où se trouve l'alimentation électrique, si elle existe déjà.
- Positionner les extrémités des tubes pour le passage des câbles électriques près des points où est prévue la fixation des différents composants.

Notes :

- Les tubes servent à protéger les câbles électriques et à éviter les détériorations accidentelles, par exemple en cas de chocs.
- Les dispositifs de commande de type « fixe » doivent être positionnés en vue du portail mais loin de ses parties mobiles.

4.2 – PRÉPARATION DES CÂBLES ÉLECTRIQUES

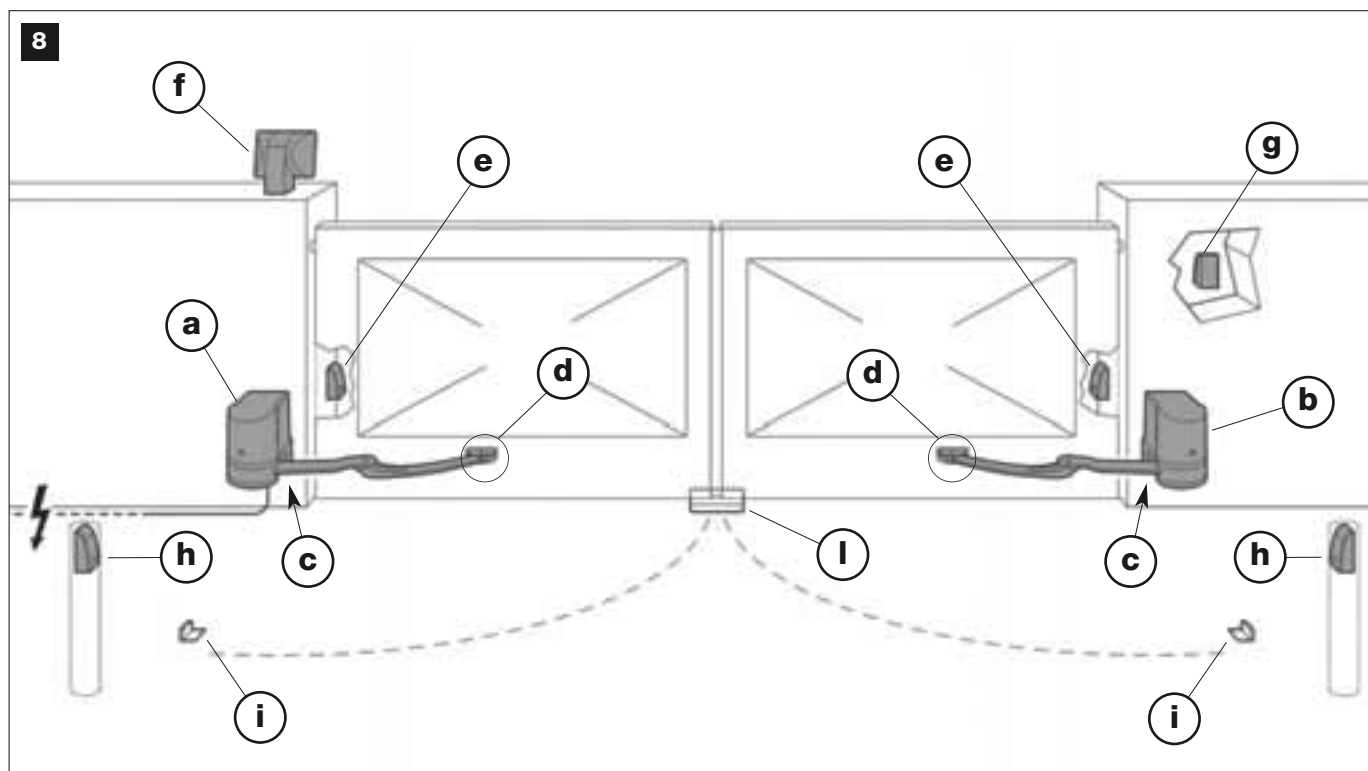
Pour la préparation des câbles électriques nécessaires à l'installation se référer à la fig. 9 et au « Tableau 1- Caractéristiques techniques des câbles électriques ». Par ailleurs, respecter les consignes suivantes :

– Dans la configuration « en étoile », la longueur de chaque câble qui relie un dispositif à la logique **NE DOIT PAS dépasser 20 m**.

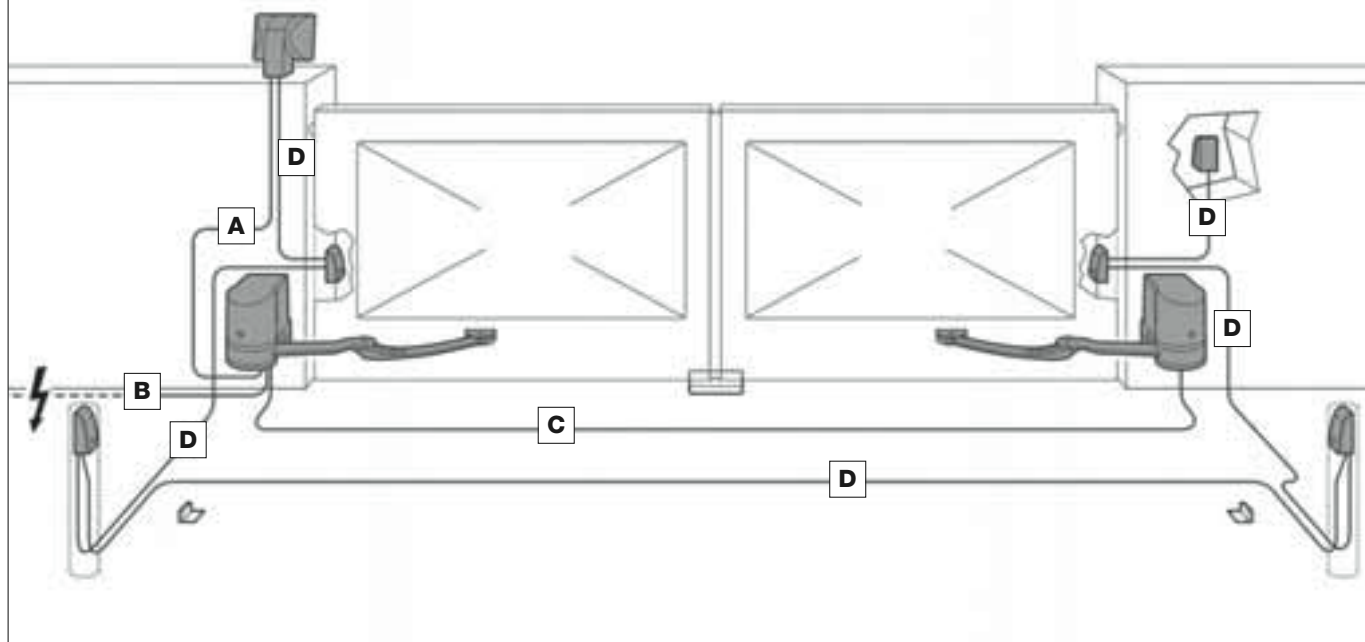
– Dans la configuration « en chaîne », la somme de la longueur de chaque câble utilisé pour relier un dispositif à l'autre puis à la logique **NE DOIT PAS dépasser 20 m**.

– Si d'autres dispositifs sont connectés entre la logique de commande et l'indicateur clignotant, utiliser pour ces dispositifs le même câble que celui qui est utilisé pour l'indicateur clignotant.

– La pose des câbles électriques et leur connexion aux différents dispositifs sont des opérations qui doivent être effectuées lors de l'installation des composants.



9



10



TABLEAU 1 – Caractéristiques techniques des câbles électriques (note 1)

Connexion	Type de câble	Longueur max. autorisée
A - Câble CLIGNOTANT	Câble 2 x 1,0 mm ²	10 m (lire le paragraphe 4.2)
B - Câble ALIMENTATION	Câble 3 x 1,5 mm ² (note 2)	30 m
C - Câble MOTEUR	Câble 3 x 1,5 mm ²	10 m
D - Câble BUS	Câble 2 x 0,5 mm ²	20 m (lire le paragraphe 4.2)

Note 1 – Les câbles nécessaires pour la réalisation de l'installation (non inclus dans l'emballage) peuvent varier en fonction de la quantité et du type de composants prévus sur l'installation.

Note 2 – Si le câble d'alimentation fourni n'est pas suffisamment long, le remplacer par un câble de ce type. Le travail doit être effectué par du personnel expérimenté et qualifié : voir l'encadré « **Opérations réservées à un technicien qualifié** ».

ATTENTION ! - Les câbles utilisés doivent être adaptés au lieu d'installation prévu ; par exemple, il est conseillé d'utiliser des câbles type H07RN-F pour la pose à l'extérieur.

PHASE 5

5.1 – INSTALLER LES COMPOSANTS DE L'AUTOMATISME

RECOMMANDATIONS

- Une installation incorrecte peut causer de graves blessures à la personne qui effectue le travail et à celles qui utiliseront l'installation.
- Avant de commencer l'assemblage de l'automatisme, faire les contrôles préliminaires décrits dans la PHASE 3.

IMPORTANT ! – Les phases de montage qui suivent (PHASE 5) illustrent l'installation « physique » d'un seul opérateur. Si le portail à automatiser est à deux vantaux, répéter les mêmes opérations pour l'installation de l'autre opérateur. En particulier, pour installer l'opérateur avec la logique de commande, consulter la PHASE 6 pour établir sur quel vantail du portail il doit être positionné.

Fixation au mur de la patte arrière de l'opérateur

Pour fixer la patte arrière de l'opérateur sur le mur ou sur le pilier du portail, il faut déterminer sa position dans le sens vertical et dans le sens horizontal comme suit :

– **Position dans le sens vertical (fig. 5)** : suivre les indications générales reportées dans la PHASE 3 et sur la fig. 5 ; puis, après avoir identifié la position, tracer au crayon une ligne horizontale sur le mur (ou sur le pilier).

– **Position dans le sens horizontal (fig. 4)** : pour positionner l'opérateur dans le sens horizontal utiliser le Graphique 2, en procédant de la façon suivante :

- Déterminer l'angle d'ouverture maximum du vantail** : mettre le vantail dans la position désirée d'ouverture maximum (faire attention au point 4-d de la PHASE 3.2) et mesurer les degrés de l'angle d'ouverture du vantail, en utilisant la figure du goniomètre se trouvant à la dernière page du manuel. Puis identifier et colorer en gris sur le Graphique 2 la zone correspondant à votre angle.
- Déterminer la mesure B et la mesure A** : En se référant à la fig. 11 mesurer dans le contexte de l'installation la mesure B. Cette mesure est la distance existant entre le pivot de rotation du vantail et la surface où sera fixée la patte arrière. Sur la figure du graphique la mesure B qui vient d'être trouvée et tracer, à partir de celle-ci, une ligne horizontale jusqu'à l'intersection avec la zone de l'angle trouvé au point précédent. Dans cette zone, la ligne tracée détermine 2 points, à partir de chacun d'eux, tracer une ligne verticale vers le haut jusqu'à l'intersection avec la droite des mesures A. La zone déterminée par ces lignes indique la mesure A, c'est-à-dire les mesures utilisables pour la fixation de la patte arrière.

03. Marquer alors sur le mur (ou sur le pilier) la mesure trouvée et tracer une ligne verticale passant par ce point. Ensuite, en se référant aux lignes tracées sur le mur, positionner la patte arrière sur la surface dans la position prévue et à l'aide d'un crayon, marquer les points de perçage.

04. Faire les trous dans le mur à l'aide d'une perceuse, y mettre les chevilles (minimum 8 mm ; non fournies) et fixer le support en utilisant des vis et des rondelles adaptées (fig. 12). **Important** – Contrôler que la patte est parfaitement de niveau ; un opérateur qui n'est pas dans l'axe peut provoquer les problèmes de fonctionnement dans l'automatisme (fig. 13 et 14).

Note – Les vis nécessaires à la fixation de la patte sur le mur ne sont pas comprises dans l'emballage, car leur typologie dépend du matériau et de l'épaisseur du mur dans lequel elles doivent être vissées.

05. Enlever le fin de course mécanique positionné sur la face inférieure de l'opérateur, avec une clé de 13 mm (fig. 15) : desserrer et dévisser l'écrou indesserrable de la vis du fin de course mécanique.

06. Insérer la partie arrière de l'opérateur dans l'espace prévu sur la patte de fixation, en faisant attention à faire coïncider les trous présents sur le moteur avec ceux de la patte (fig. 16).

07. Soutenir l'opérateur d'une main et avec l'autre, insérer dans les trous les deux vis fournies. **Note** – Si les vis n'entrent pas facilement, utiliser un marteau et un tournevis à tube pour les insérer complètement (voir fig. 17). Fixer ensuite les vis avec les écrous ; pour cela, utiliser une clé à douille pour bloquer la tête de la vis et un tournevis à tube (de 10 mm), avec encombrement extérieur ne dépassant pas 14,5 mm, pour visser l'écrou.

08. Fixer alors le bras courbe à l'opérateur. **IMPORTANT !** – Le bras doit être positionné avec la courbe vers le vantail. Enclencher ensuite la tête de la « rallonge » de l'opérateur dans le trou du bras courbe et fixer le tout avec la vis, la rondelle et l'écrou fournis (fig. 18).

09. Pour fixer la patte de fixation au vantail, procéder de la façon suivante :

a) Introduire la patte à l'extrémité du bras courbe en faisant coïncider les trous respectifs et insérer le pivot fourni (sans le benzing d'arrêt - fig. 19).

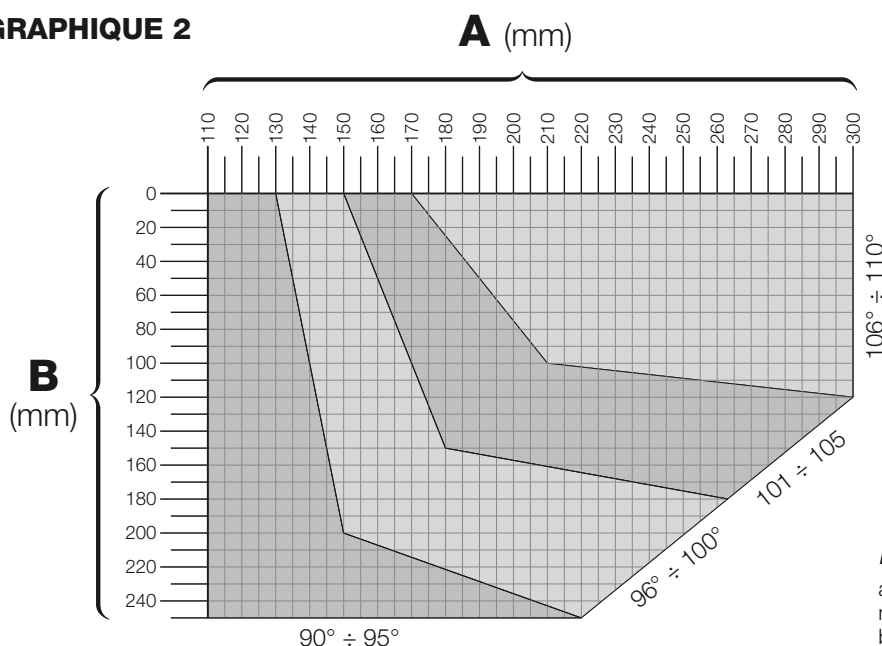
b) Débrayer l'opérateur avec la clé prévue à cet usage (se référer au chapitre « Bloquer ou débrayer manuellement l'opérateur » présent dans le « Guide de l'utilisateur »).

c) Mettre le vantail dans la position de Fermeture maximum désirée et étendre le bras jusqu'à son extension maximale (fig. 20). Ensuite, rapprocher ce dernier du vantail de manière à faire adhérer complètement la patte de fixation au vantail.

d) Marquer alors les points de perçage avec un crayon et percer le vantail avec la perceuse.

Note – Les vis nécessaires à la fixation de la patte sur le vantail ne

GRAPHIQUE 2



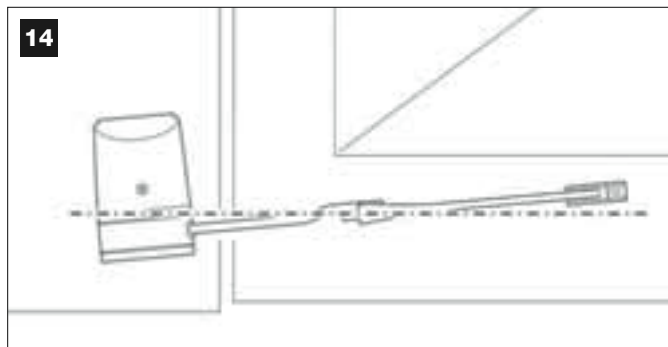
Notre exemple :

angle d'ouverture maximum du vantail = 98° ;
mesure B = 120 mm ; la mesure A résulte utilisable de 142 mm à 174 mm.

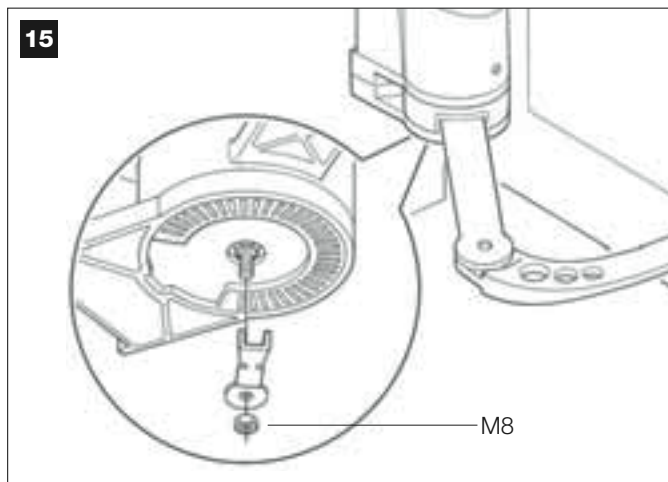
sont pas comprises dans l'emballage, car leur typologie dépend du matériau et de l'épaisseur du portail ou de la porte dans laquelle elles doivent être vissées.

10. Détacher la patte du bras de l'opérateur et la fixer au vantail. **Important** – Contrôler que la patte est parfaitement de niveau.
11. Fixer à la patte le bras de l'opérateur en introduisant le pivot et le benzing d'arrêt fourni.
12. **ATTENTION !** – Si des butées mécaniques au sol sont présentes sur le lieu d'installation, se référer à la PHASE 5.2.
13. Ensuite, toujours avec l'opérateur débrayé, mettre manuellement les deux vantaux du portail dans la position indiquée sur la fig. 21 et bloquer l'opérateur avec la clé prévue à cet usage (se référer au chapitre « Bloquer ou débrayer manuellement l'opérateur » présent dans la section « DOCUMENTATION TECHNIQUE »). Puis, avec un léger mouvement, déplacer le vantail de quelques centimètres dans le sens de l'Ouverture maximum jusqu'à ce qu'on entende un déclic.
14. Si le portail à automatiser est à deux vantaux, répéter les mêmes opérations décrites dans cette PHASE 5 pour l'installation de l'autre opérateur.

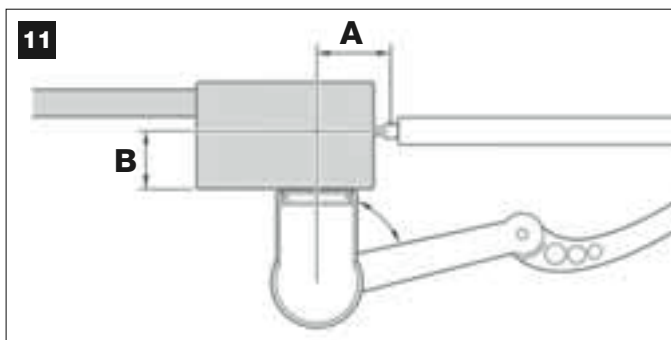
14



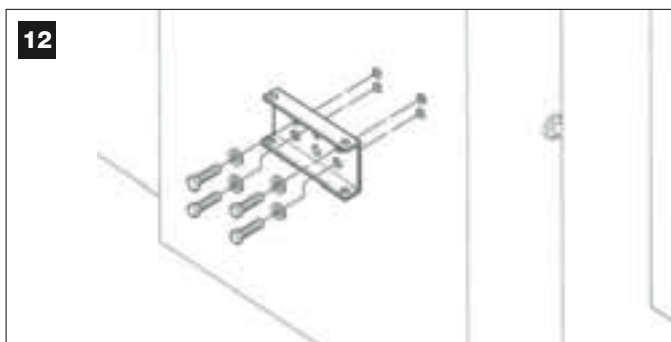
15



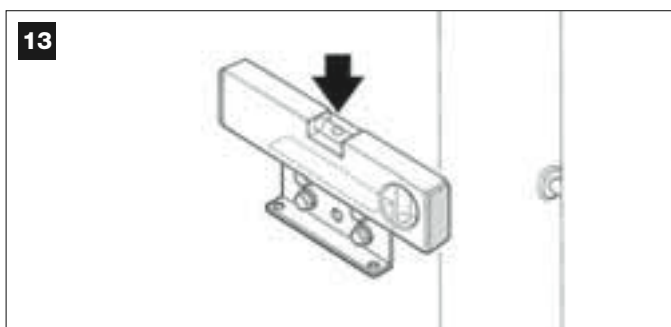
11



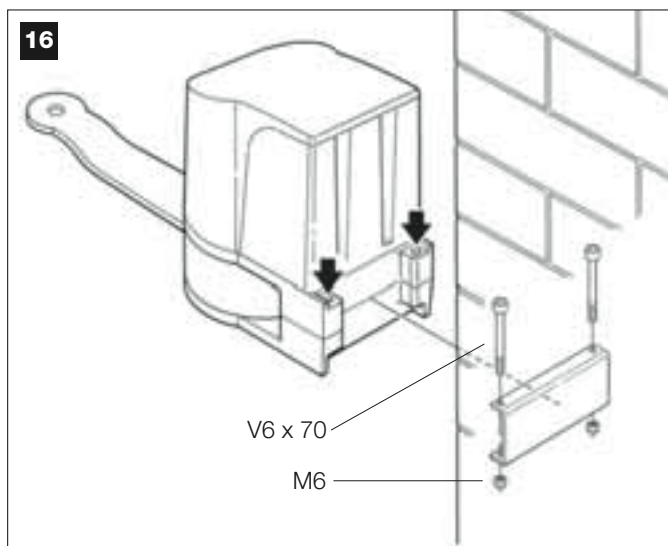
12



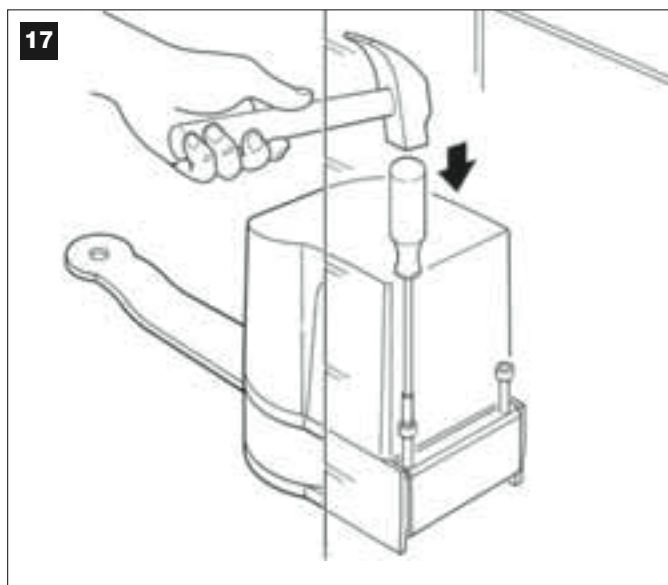
13

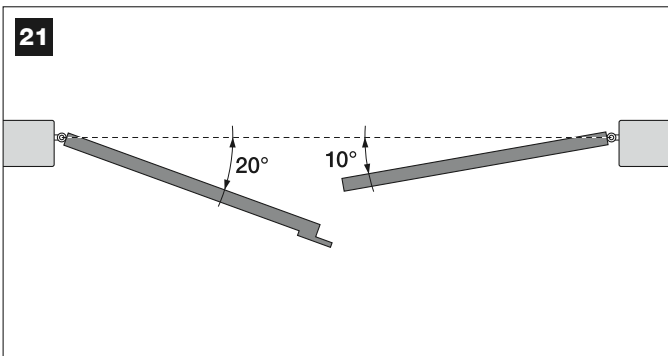
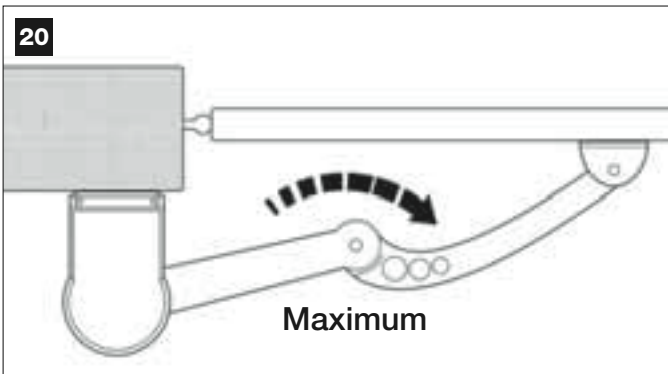
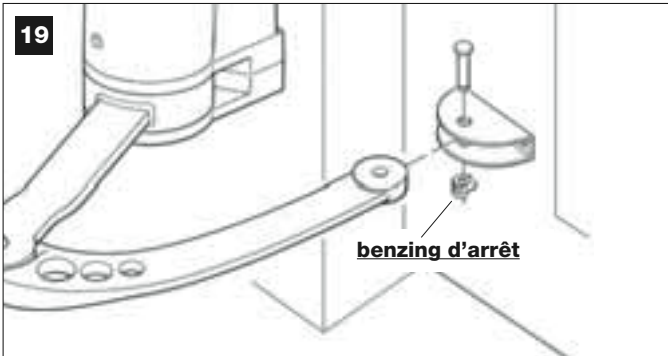
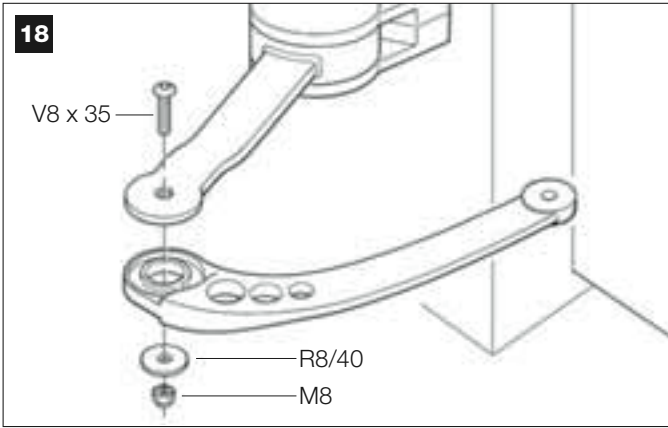


16



17





5.2 – RÉGLAGE DU FIN DE COURSE MÉCANIQUE EN OUVREURE

S'il n'y a pas de butées mécaniques au sol sur le lieu d'installation, qui servent à arrêter les vantaux à la fin du mouvement d'Ouverture, il faut régler le fin de course mécanique sur la face inférieure de chaque opérateur, de la façon suivante :

01. Avec l'opérateur débrayé, mettre manuellement le vantail dans la position d'Ouverture.
02. Identifier la ligne médiane (axe) du bras de l'opérateur et marquer là avec un bout de ruban adhésif sur la partie fixe de l'opérateur, au-dessus du bras (fig. 22).
03. Refermer le vantail.

04. Pour faciliter la fixation du fin de course mécanique, nous conseillons d'ajouter un bout de ruban adhésif, de manière à arriver jusqu'à la base de l'opérateur, comme l'indique la fig. 23.
05. Positionner le fin de course mécanique de la façon suivante : si on est en train d'agir sur l'opérateur qui manœuvre le vantail gauche, le fin de course mécanique devra être fixé à la gauche du ruban adhésif, qui lui est adjacent ; vice versa, s'il s'agit de l'opérateur de droite, le fin de course mécanique devra être fixé à la droite du ruban adhésif, qui lui est adjacent (fig. 24). Le fixer ensuite avec l'écrou indesserrable (fig. 25).
06. En bougeant manuellement le vantail, vérifier si ce dernier s'arrête exactement dans la position d'Ouverture maximum désirée. Si ce n'est pas le cas, déplacer le fin de course mécanique d'un ou deux « crans » et vérifier de nouveau la position d'Ouverture maximum.
07. Ensuite, toujours avec l'opérateur débrayé, mettre manuellement le vantail à environ mi-course et bloquer l'opérateur avec la clé prévue à cet usage (se référer au chapitre « Bloquer ou débrayer manuellement l'opérateur » présent dans le Guide de l'utilisateur). Puis, avec un léger mouvement, déplacer le vantail de quelques centimètres dans le sens de l'Ouverture maximum jusqu'à ce qu'on entende un déclic.



PHASE 6

EFFECTUER L'INSTALLATION ET LE BRANCHEMENT DES DISPOSITIFS PRÉVUS DANS L'INSTALLATION

Installer et connecter les dispositifs prévus dans l'installation en se référant aux PHASES qui suivent et à l'exemple de la **fig. 26**.

ATTENTION ! – Une connexion incorrecte peut provoquer des pannes ou des situations de danger ; respecter par conséquent scrupuleusement les connexions indiquées.

Pour accéder à la logique de commande, enlever le couvercle de l'opérateur avec logique de commande, en procédant de la façon suivante (voir figure ci-contre) :

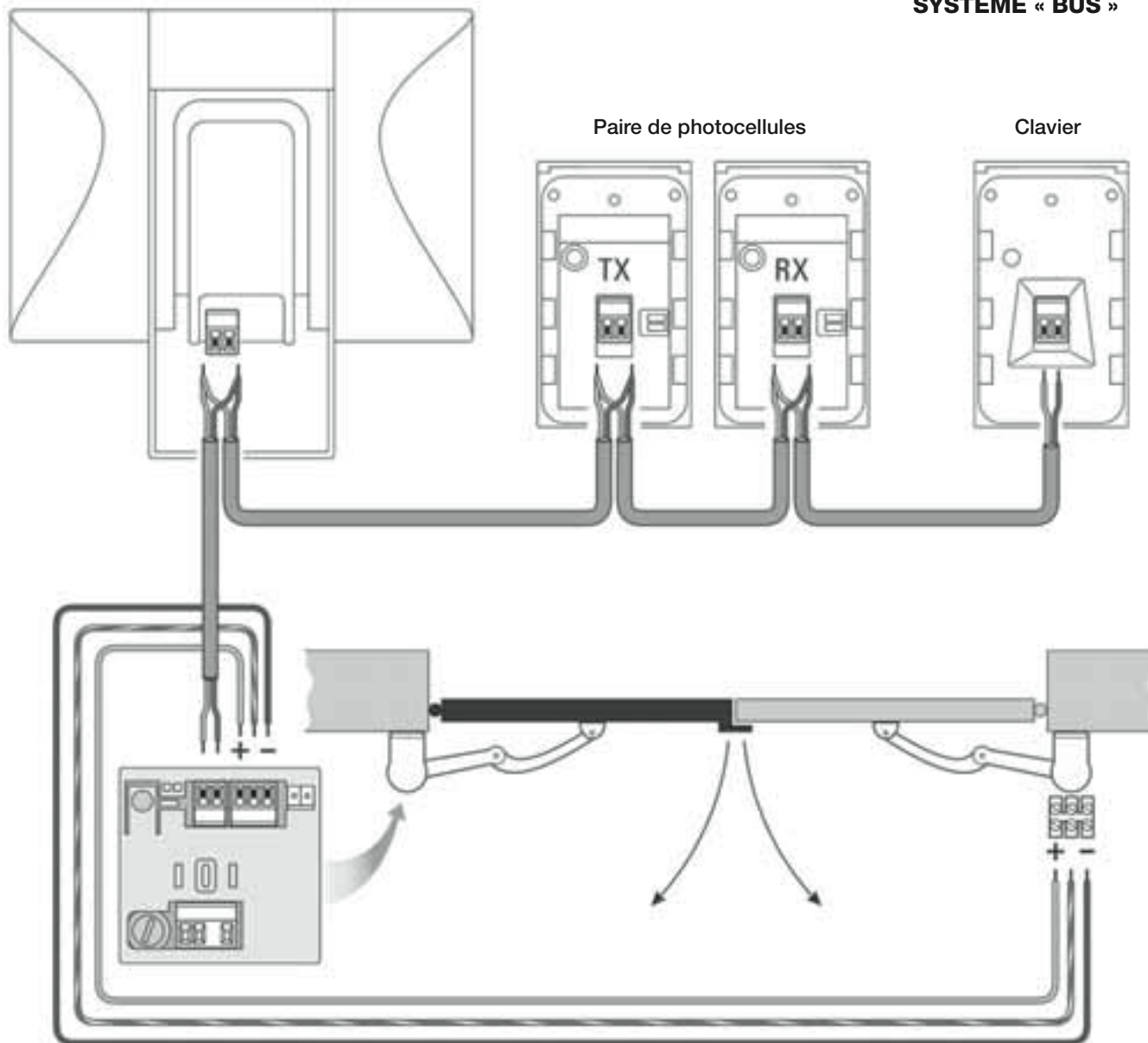
- Dévisser la vis située sur la partie supérieure du couvercle, en utilisant un tournevis cruciforme.
- Positionner deux doigts sur les deux cavités présentes sur la partie arrière de l'opérateur et soulever le couvercle en le tirant vers le haut, en faisant levier sur la base sur laquelle il prend appui.



26

Clignotant

SCHÉMA DE CONNEXION DES DISPOSITIFS AVEC SYSTÈME « BUS »



6.1 – RÉGLER L'ORDRE D'OUVERTURE DES VANTAUX DU PORTAIL

Pour régler correctement dans la **logique de commande** l'ordre dans lequel doivent s'ouvrir les vantaux du portail, identifier parmi les configurations qui suivent celle qui correspond le mieux à l'installation à effectuer et suivre les instructions données.
Pour l'exécution des opérations, il peut être utile d'enlever la logique de commande de son logement en procédant suivant les indications qui figurent dans l'encadré « **Comment extraire la logique de commande de l'opérateur** ».

Cas A : il n'y a aucune modification à effectuer.



Cas B : (sur la logique de commande) il faut opérer de la façon suivante :

– identifier le cavalier électrique « **Sel** » et le déplacer de sa position originale de la **fig. 27** dans la nouvelle position indiquée sur la **fig. 28**.

– inverser la position des fils sur le bornier identifié comme « **Motor 2** » (**fig. 29**).

– inverser la position des fils sur le bornier identifié comme « **Motor 1** » (**fig. 30**).



Cas C :

– (sur la logique de commande) il faut identifier le cavalier électrique « **Sel** » et le déplacer de sa position originale de la **fig. 27** dans la nouvelle position indiquée sur la **fig. 28**.



Cas D : (sur la logique de commande) il faut opérer de la façon suivante :

– inverser la position des fils sur le bornier identifié comme « **Motor 2** » (**fig. 29**).

– inverser la position des fils sur le bornier identifié comme « **Motor 1** » (**fig. 30**).



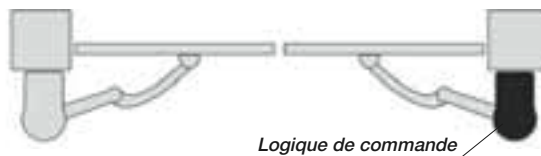
Cas E : il n'y a aucune modification à effectuer.



Cas F : (sur la logique de commande) il faut opérer de la façon suivante :

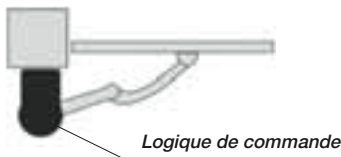
– inverser la position des fils sur le bornier identifié comme « **Motor 2** » (**fig. 29**).

– inverser la position des fils sur le bornier identifié comme « **Motor 1** » (**fig. 30**).



Cas G : pour automatiser un portail ou une porte à un seul vantail, où l'opérateur avec logique de commande est positionné à gauche, procéder de la façon suivante :

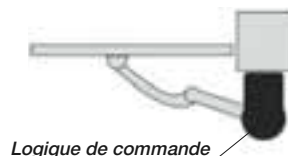
– (sur la logique de commande) il faut identifier le cavalier électrique « **Sel** » et le déplacer de sa position originale de la **fig. 27** dans la nouvelle position indiquée sur la **fig. 28**.



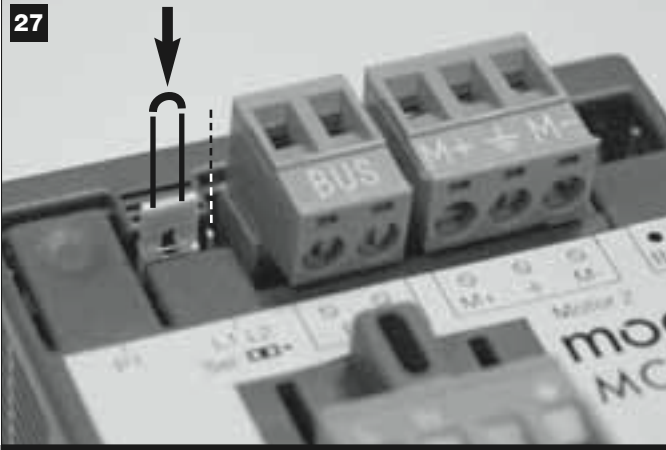
Cas H : pour automatiser un portail ou une porte à un seul vantail, où l'opérateur avec logique de commande est positionné à droite, procéder de la façon suivante :

– (sur la logique de commande) il faut identifier le cavalier électrique « **Sel** » et le déplacer de sa position originale de la **fig. 27** dans la nouvelle position indiquée sur la **fig. 28**.

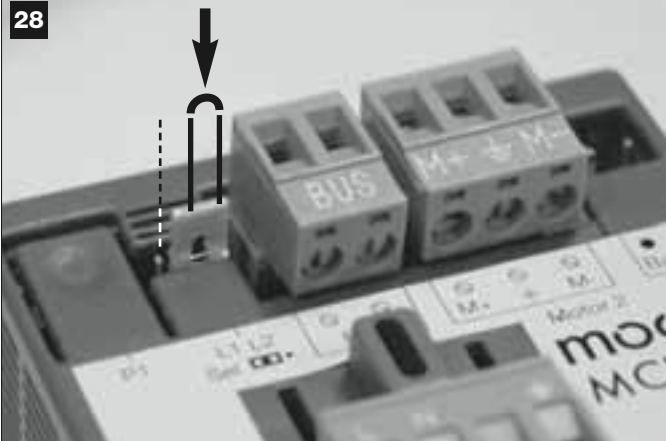
– (sur la logique de commande) inverser la position des fils sur le bornier identifié comme « **Motor 1** » (**fig. 30**).



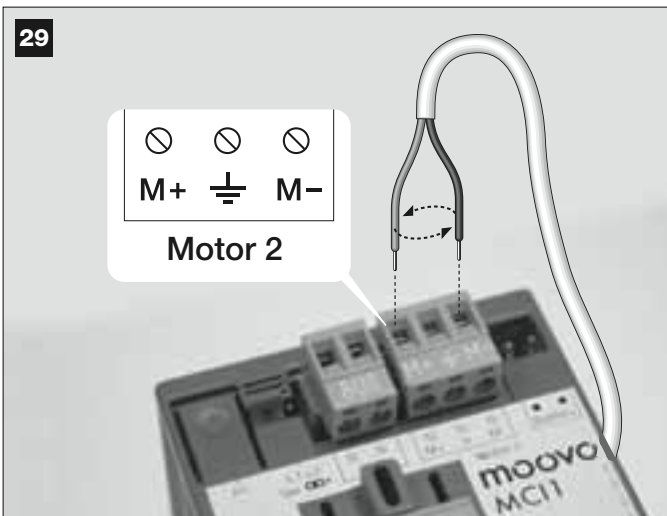
27



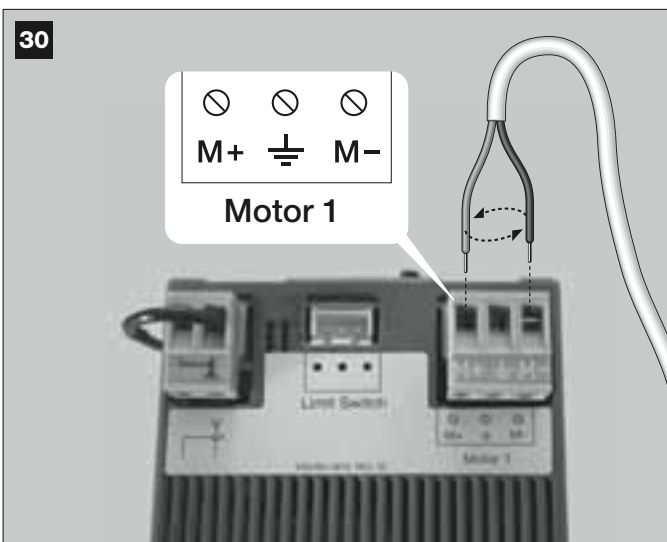
28



29



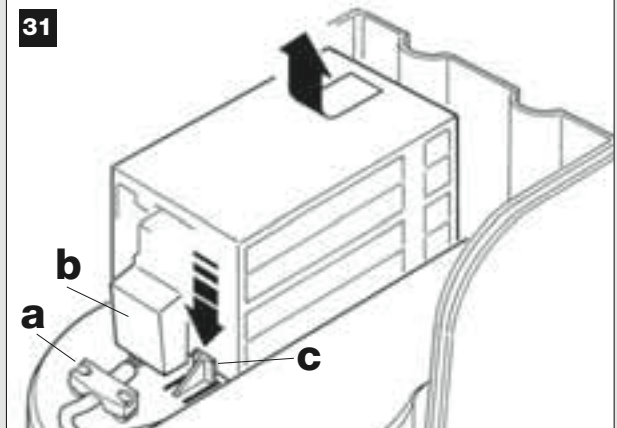
30



COMMENT EXTRAIRE LA LOGIQUE DE COMMANDE DE L'OPÉRATEUR

01. À l'aide d'un tournevis cruciforme, dévisser les vis du serre-câble (fig. 31-a) et le couvercle du bornier (fig. 31-b) pour retirer plus facilement la logique de commande de son logement.
02. Fig. 31-32 : appuyer avec un doigt sur l'aillette (fig. 31-c) qui bloque la logique ; de l'autre main, extraire la logique de commande de son logement en la poussant en avant et simultanément vers le haut pour la décrocher du guide de support.

31

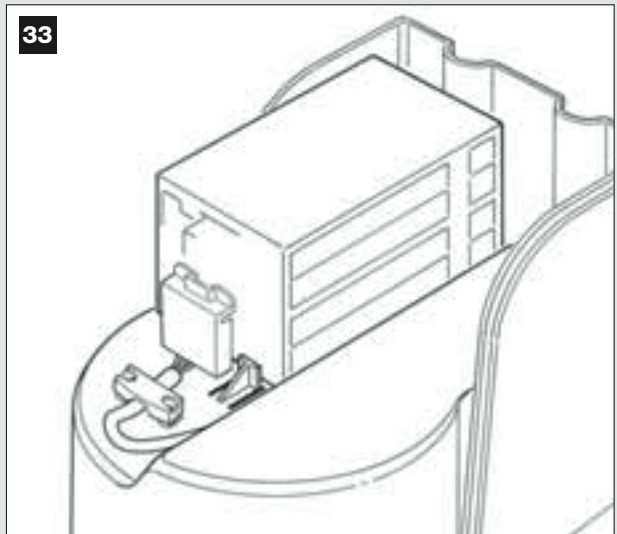


32



03. Fig. 33 : après avoir effectué le travail, remettre la logique de commande dans son logement de la façon suivante : a) positionner la logique de commande au-dessus de l'aillette (fig. 31-c) et en poussant vers le bas, la tirer en arrière jusqu'à ce qu'on entende un déclic. Remettre le couvercle sur le bornier et le serre-câble.

33



6.2 – INSTALLER ET CONNECTER L'OPÉRATEUR SANS LOGIQUE DE COMMANDE

Si votre installation prévoit l'emploi de deux opérateurs, connecter l'opérateur sans logique de commande à celui qui contient la logique de commande, de la façon suivante :

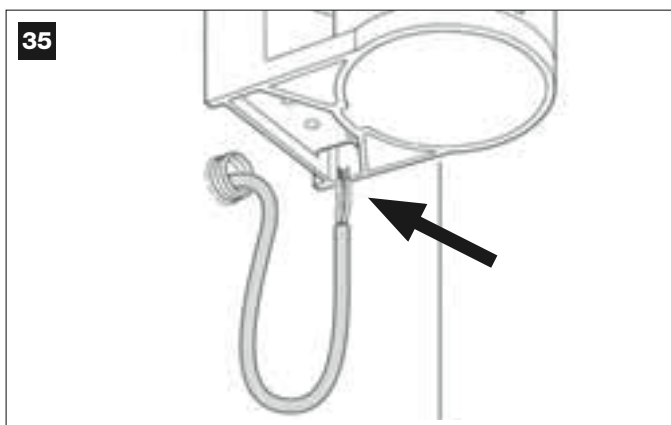
01. Fig. 34 :

- Sur l'opérateur sans logique de commande, dévisser la vis située sur la partie supérieure du couvercle, en utilisant un tournevis cruciforme.
- Positionner deux doigts sur les deux cavités présentes sur la partie arrière de l'opérateur et soulever le couvercle en le tirant vers le haut, en faisant levier sur la base sur laquelle il prend appui.



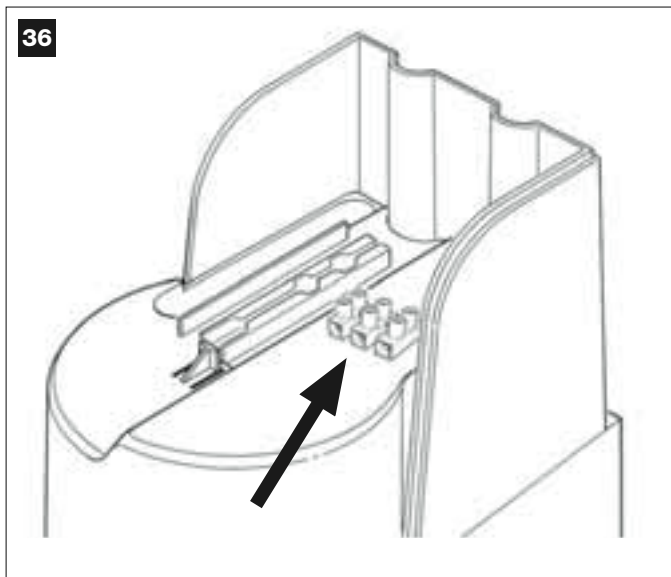
02. Fig. 35 :

Introduire le câble de connexion dans le trou présent sur la face inférieure de l'opérateur.



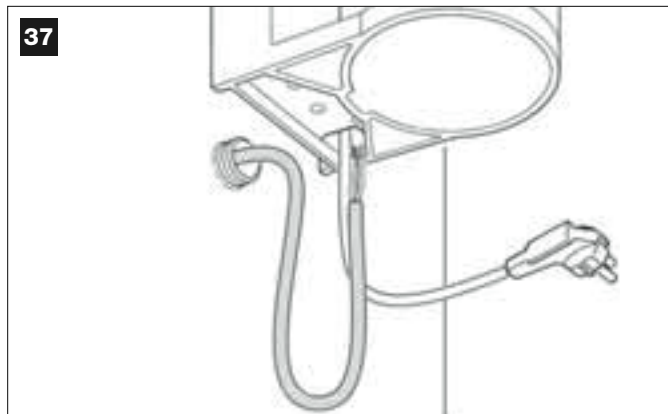
03. Fig. 36 :

Connecter les fils du câble au bornier, en respectant les symboles présents. Bloquer le câble dans le serre-câble.



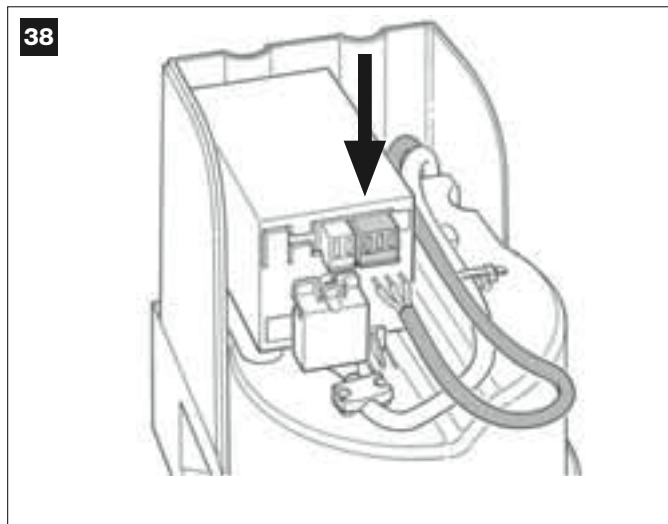
04. Fig. 37 :

Sur l'opérateur avec logique de commande, enlever le couvercle et faire passer dans le trou présent sur la face inférieure le câble de connexion provenant de l'autre opérateur.



05. Fig. 38 :

- Extraire de son logement le bornier destiné à l'alimentation pour pouvoir dévisser facilement les vis des 3 bornes.
- Connecter ensuite les fils du câble, en respectant les symboles présents sur le bornier et remettre celui-ci dans son logement.



6.3 – INSTALLER ET CONNECTER L'INDICATEUR CLIGNOTANT mod. MF

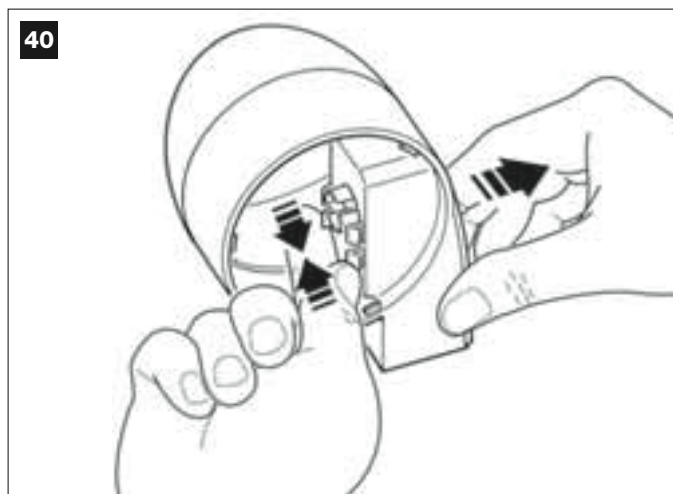
Ce dispositif lumineux signale l'exécution de chaque manœuvre en cours. De plus, il est relié au système d'autodiagnostic de la logique de commande et en cas d'anomalie de fonctionnement il signale le type de problème à travers des séquences de clignotements prédéterminées (voir paragraphe « Que faire si... »).

Pour installer et connecter l'indicateur clignotant, procéder de la façon suivante :

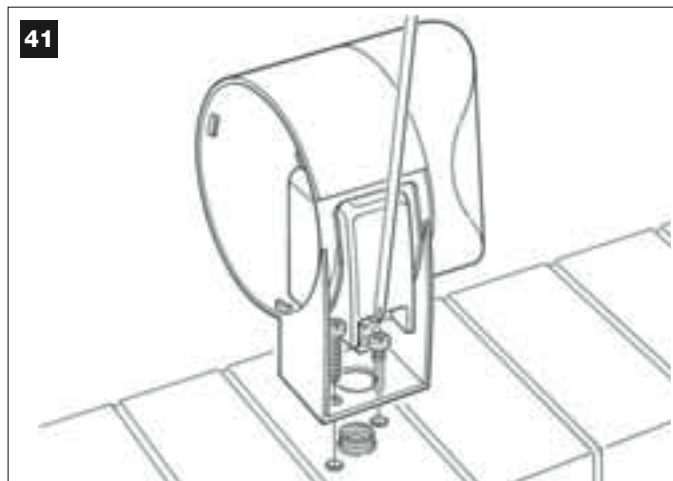
- 01. Fig. 39 :**
Extraire l'une des deux calottes transparentes, en la tournant dans le sens contraire des aiguilles d'une montre et la mettre de côté.



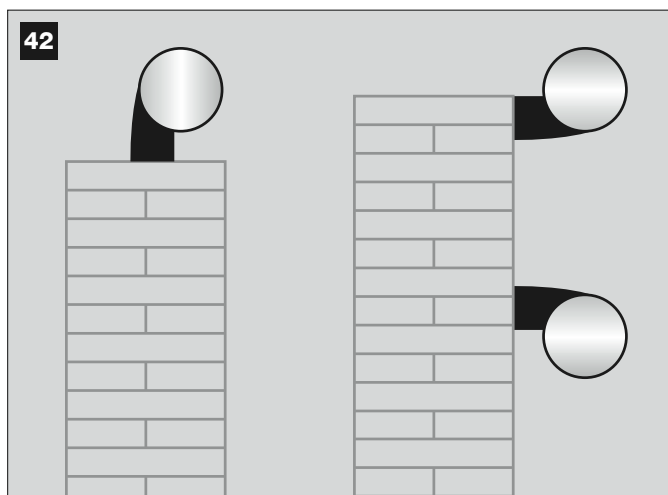
- 02. Fig. 40 :**
Appuyer simultanément, avec deux doigts d'une main, les deux languettes situées en bas et avec l'autre main, extraire le bouchon extérieur du clignotant.



- 03. Fig. 41 :**
Percer avec une perceuse, sur le fond du corps du clignotant, les parties prévues pour la fixation avec les vis et pour le passage des câbles.

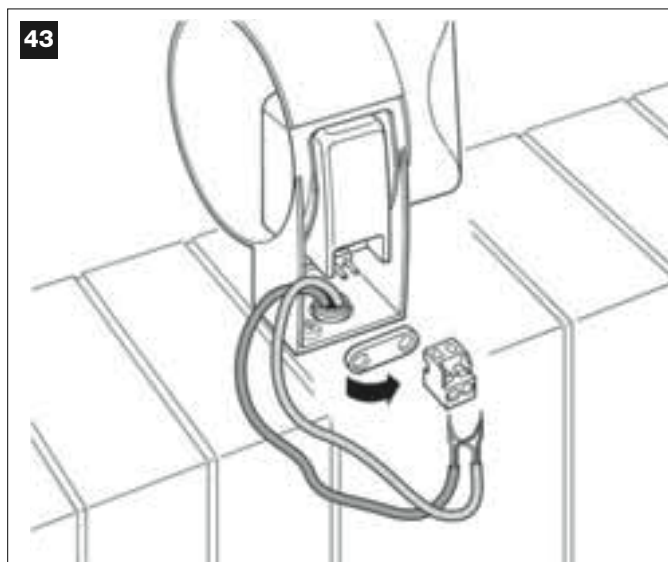


- 04. Fig. 42 :**
Attention ! – ne pas monter le produit dans des positions différentes de celles indiquées.

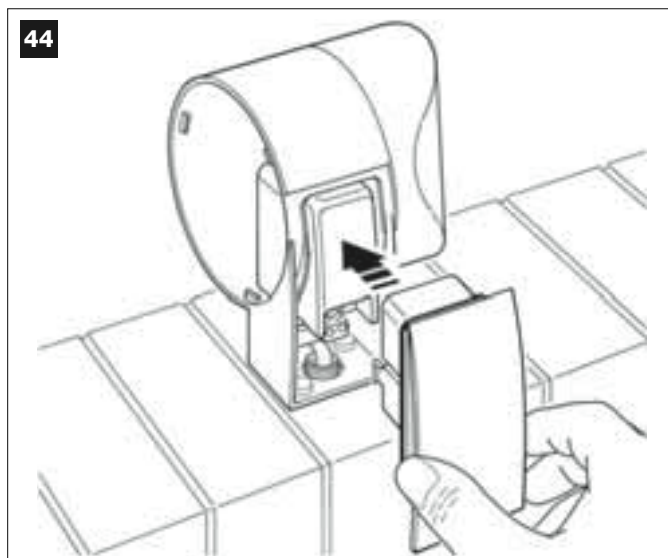


- 05.** Fixer avec les vis prévues à cet effet le corps du clignotant au mur en faisant passer les câbles à travers le trou.

- 06. Fig. 43 :**
a) Connecter entre eux les fils des deux câbles et les fixer dans le bornier
b) Bloquer le câble avec le serre-câble.

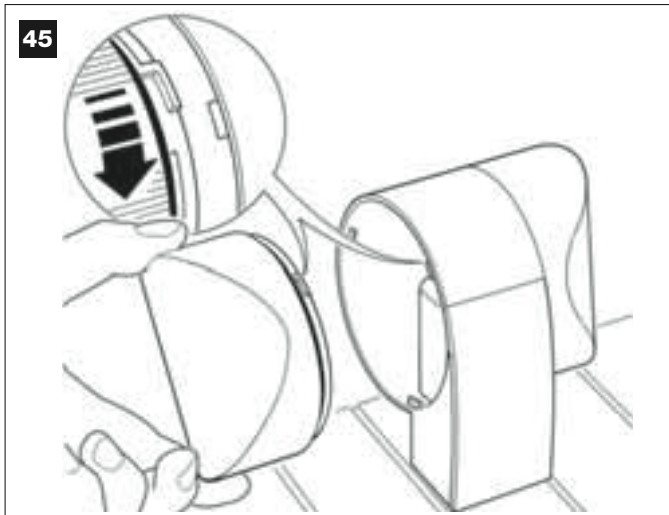


- 07. Fig. 44 :**
Remettre en place le bouchon extérieur du clignotant en clipsant les languettes.

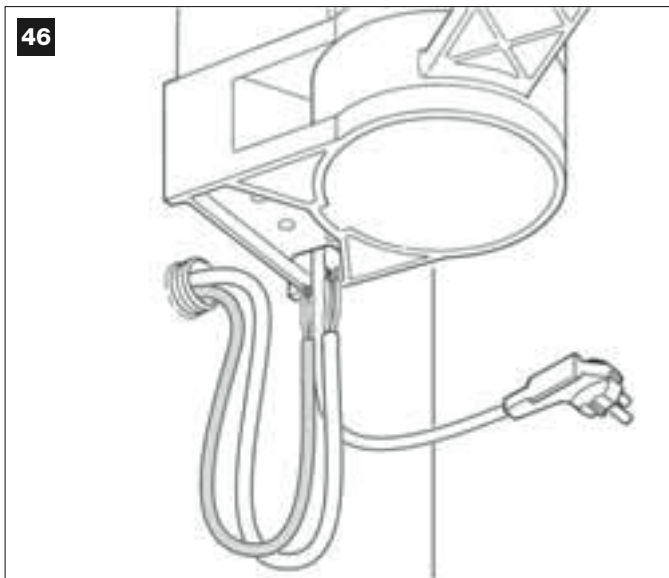


08. Fig. 45 :

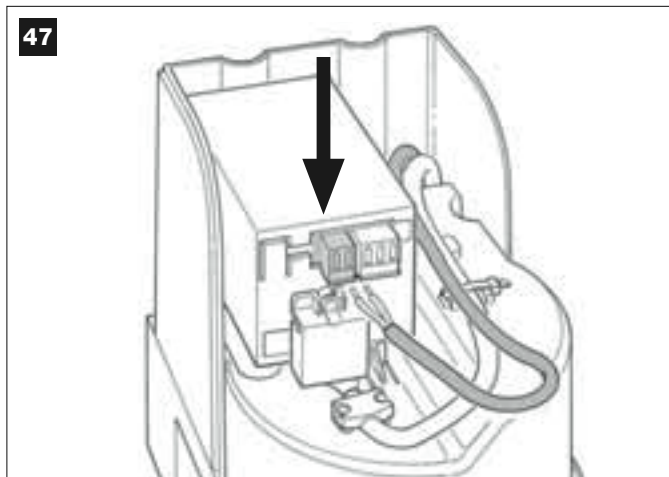
Remettre la calotte transparente à son emplacement et la tourner dans le sens des aiguilles d'une montre en veillant à encastrer les dents de la calotte dans les logements du corps du clignotant.

**09. Fig. 46 :**

Sur l'opérateur avec la logique de commande, introduire le câble de connexion du clignotant dans le trou présent sur la face inférieure.

**10. Fig. 47 :**

- a) Sur la logique de commande, extraire de son logement le bornier destiné à la connexion BUS pour pouvoir dévisser facilement les vis des 2 bornes.
- b) Connecter ensuite les fils du câble, en respectant les symboles présents sur le bornier et remettre celui-ci dans son logement.
- c) Serrer enfin le passe-câble pour fixer le câble à l'opérateur.



6.4 – INSTALLER ET CONNECTER LES PHOTOCÉLULES mod. MP

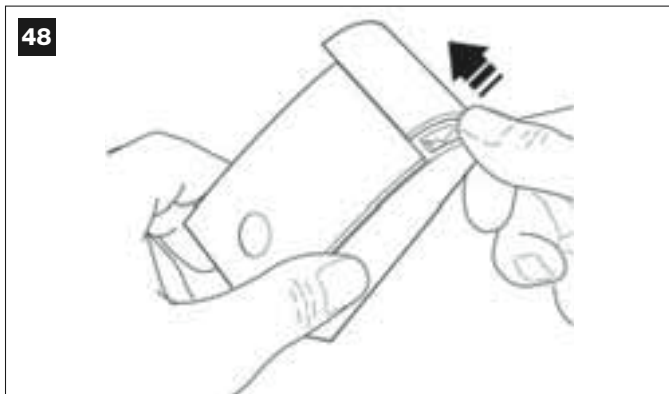
La paire de photocellules est formée de la photocellule qui transmet (appelée TX) et de celle qui reçoit (appelée RX). TX et RX sont identifiées par une étiquette placée à l'intérieur du couvercle. Les photocellules doivent être installées une de chaque côté du passage et connectées à la logique de commande à travers l'indicateur clignotant, à l'aide du câble BUS.

Les photocellules sont un dispositif de sécurité ; elles permettent de détecter les obstacles quand ils se trouvent dans la trajectoire qui les relie. Il est possible d'ajouter à l'installation jusqu'à 6 paires de photocellules pour la sécurité et une paire de photocellules destinée à commander uniquement la manœuvre d'Ouverture (pour installer des photocellules supplémentaires se référer à l'encadré « Sélection de la modalité de fonctionnement de la paire de photocellules »).

Pour installer et connecter une paire de photocellules, procéder de la façon suivante :

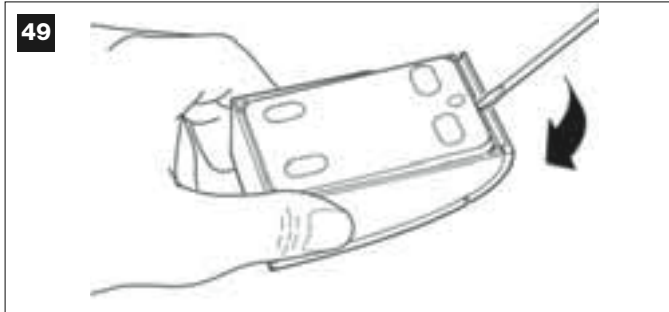
01. Fig. 48 :

Enlever le cache-vis en le poussant sur le côté comme le montre l'illustration.



02. Fig. 49 :

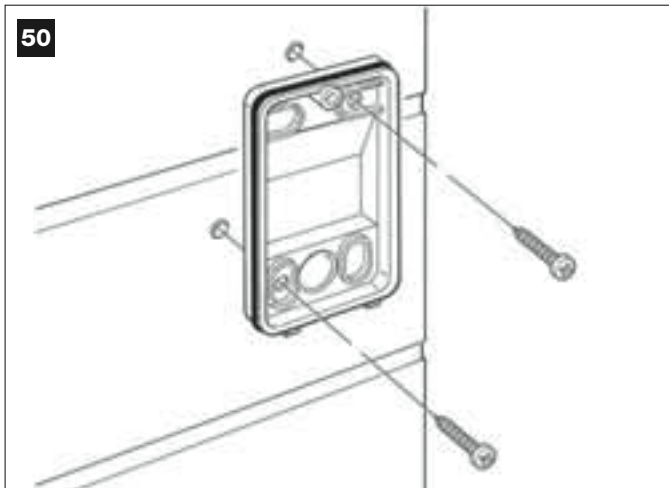
À l'aide d'un tournevis, ouvrir et détacher le fond de la photocellule.



03. Fig. 50 :

a) À l'aide d'une perceuse, percer sur le fond la partie prévue pour le passage des câbles de connexion.

b) Fixer le fond de la photocellule avec les vis prévues à cet effet en faisant passer les câbles à travers le trou.

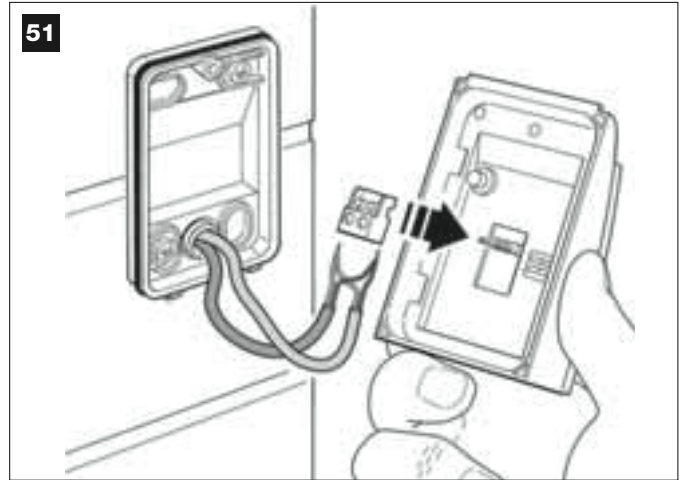


04. Fig. 51 :

a) Connecter entre eux les fils des deux câbles et les fixer dans le bornier.

b) Brancher le bornier sur le connecteur mâle présent à l'arrière de la photocellule.

IMPORTANT ! – Avant de fermer la photocellule il faut sélectionner avec le cavalier la modalité de fonctionnement des photocellules (voir l'encadré « Sélection de la modalité de fonctionnement de la paire de photocellules »).



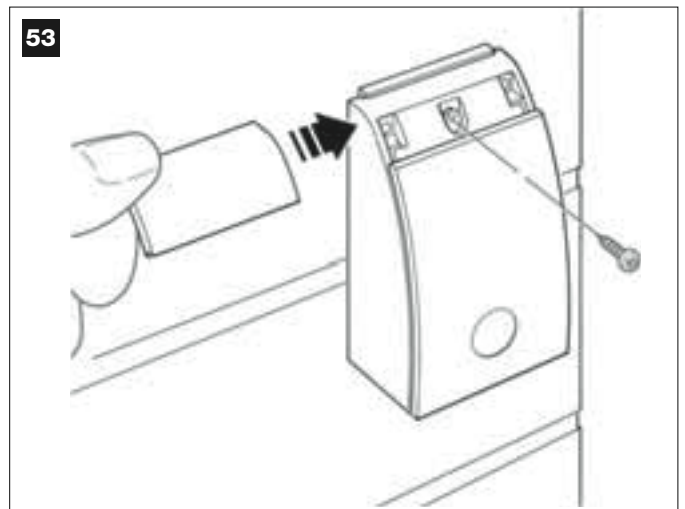
05. Fig. 52 :

Remettre le couvercle en faisant en sorte que les dents de ce dernier s'encastrent dans les logements du fond de la photocellule.



06. Fig. 53 :

Fixer le couvercle de la photocellule au fond avec la vis fournie. Remettre le cache-vis en place comme l'indique l'illustration.



SÉLECTION DU MODE DE FONCTIONNEMENT DE LA PAIRE DE PHOTOCELLULES

Dans une installation pour portails battants on peut installer, à tout moment, des paires de photocellules supplémentaires. On peut ajouter jusqu'à un maximum de 6 paires de photocellules avec fonction de sécurité (comme dans les exemples **A-B-C-D-E-F** - fig. 54) et 1 paire avec fonction de commande (comme dans l'exemple **G** - fig. 54) qui effectue uniquement la manœuvre d'Ouverture. Pour placer correctement ces paires de photocellules, se référer à la fig. 54.

Pour que la logique de commande reconnaisse la paire de photocellules et la fonction spécifique qui leur est attribuée, il faut effectuer l'adressage des photocellules à l'aide d'un ou deux cavaliers (**Tableau 3**) ou sans aucun cavalier (**Tableau 3**). De cette manière, quand la logique de commande recevra l'input des photocellules, elle fera exécuter au moteur la manœuvre correspondante.

L'opération d'adressage doit être faite aussi bien sur la photocellule TX que sur RX, en procédant de la façon suivante :

Pour les photocellules « A-B-C-D-E-F »

Respecter les consignes suivantes :

- **les cavaliers doivent être positionnés sur les deux photocellules en utilisant la même configuration ;**
- **une configuration déjà utilisée sur une paire de photocellules NE DOIT PAS être utilisée sur d'autres photocellules.**

Pour programmer ces paires de photocellules (si elles sont présentes dans votre installation), procéder de la façon suivante :

01. Ouvrir le couvercle de la photocellule.
02. Identifier dans la fig. 54 la position où sont installées les photocellules sur lesquelles on veut intervenir.
03. Choisir dans le **Tableau 3** la configuration désirée et mettre les cavaliers dans les deux photocellules.

Pour les photocellules « G »

Respecter les consignes suivantes :

- Ces photocellules ont un rôle différent des autres (elles commandent l'automatisme), il faut donc les positionner à une certaine distance des autres pour éviter les interférences.
- Ces photocellules restent sous tension même quand l'automatisme est inactif et, en cas de manque d'énergie électrique, si l'installation est munie d'une batterie tampon, la durée normale de cette dernière sera réduite (voir la PHASE 6.6).

Pour programmer ces paires de photocellules (si elles sont présentes dans votre installation), aucun cavalier n'est nécessaire (voir **Tableau 3**).

54

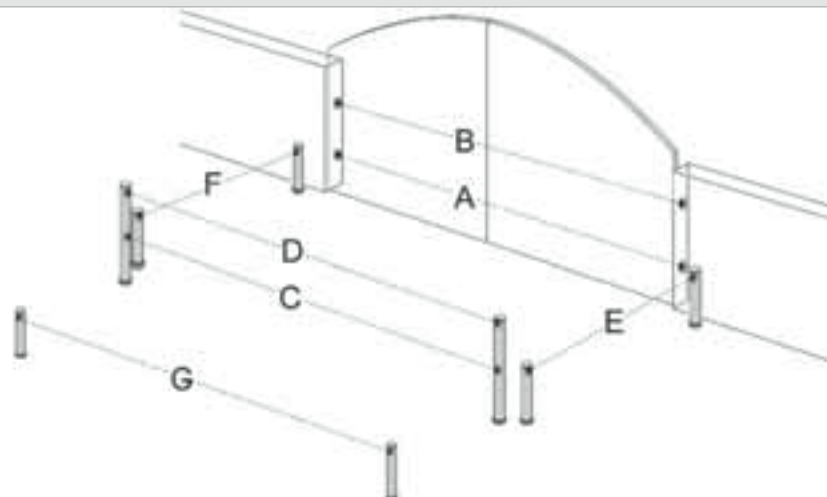


TABLEAU 3

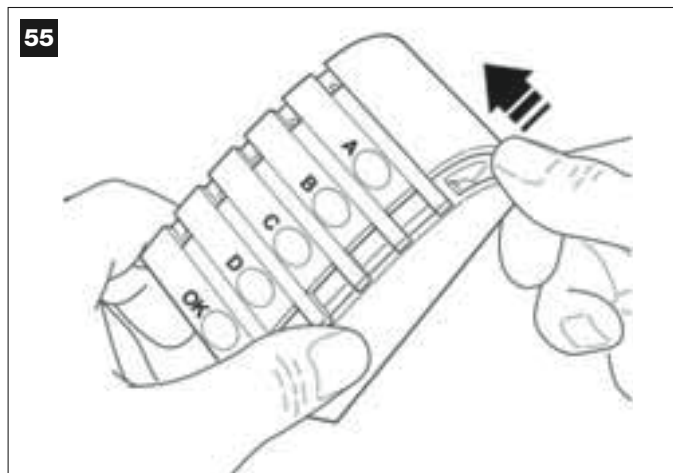
Paire de Photocellules	Cavaliers électriques	Paire de Photocellules	Cavaliers électriques
A Photocellules h = 50 cm (elles interviennent quand le portail est en phase de Fermeture)		E Photocellules à droite (elles interviennent quand le portail est en phase d'Ouverture)	
B Photocellules h = 100 cm (elles interviennent quand le portail est en phase de Fermeture)		F Photocellules à gauche (elles interviennent quand le portail est en phase d'Ouverture)	
C Photocellules h = 50 cm (elles interviennent quand le portail est en phase d'Ouverture ou de Fermeture)		G Photocellules avec uniquement la commande d'Ouverture du portail	
D Photocellules h = 100 cm (elles interviennent quand le portail est en phase d'Ouverture ou de Fermeture)			

6.5 – INSTALLER ET CONNECTER LE CLAVIER mod. MK

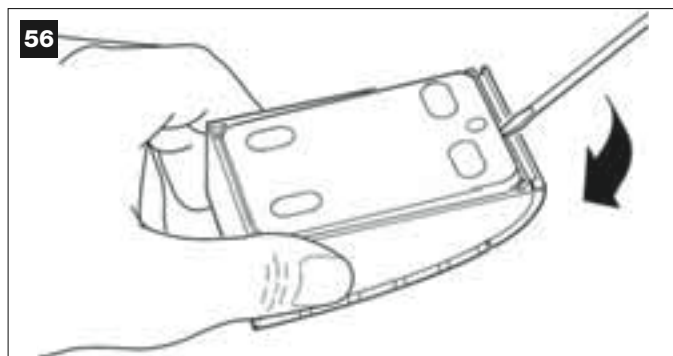
Le clavier de commande est un dispositif qui se fixe un mur et qui commande l'automatisme à travers une connexion Bus. On peut connecter jusqu'à 4 claviers dans la même installation et le dispositif peut être programmé pour fonctionner en deux modalités : *mode traditionnel* (chaque touche effectue une fonction spécifique préétablie – *configuration effectuée en usine*) et *mode sécurité* (pour commander une manœuvre il faut taper une combinaison secrète de touches, configurée par l'utilisateur). Le clavier est rétroéclairé en cas de faible luminosité.

Pour installer et connecter le clavier, procéder de la façon suivante :

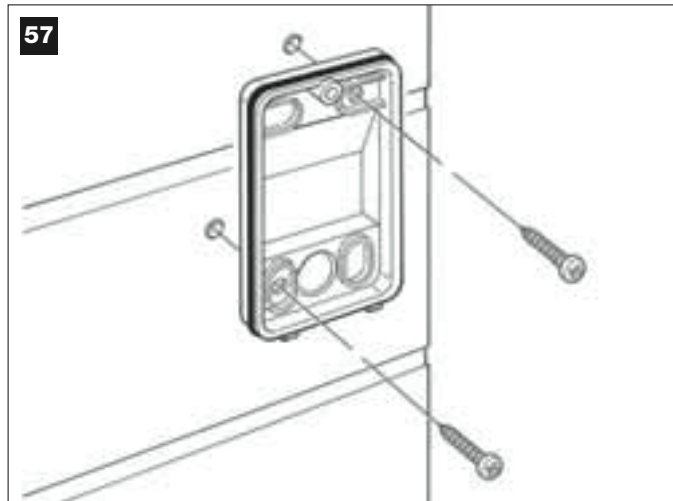
- 01. Fig. 55 :**
Enlever le couvercle du clavier en le poussant sur le côté comme l'indique l'illustration.



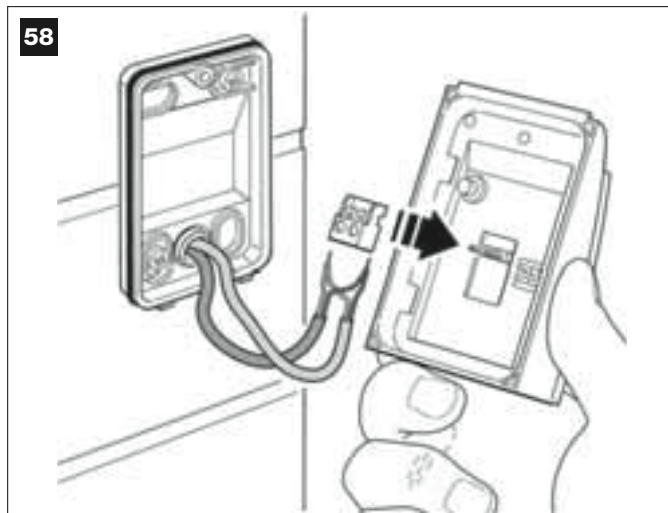
- 02. Fig. 56 :**
À l'aide d'un tournevis, ouvrir et détacher le fond du clavier.



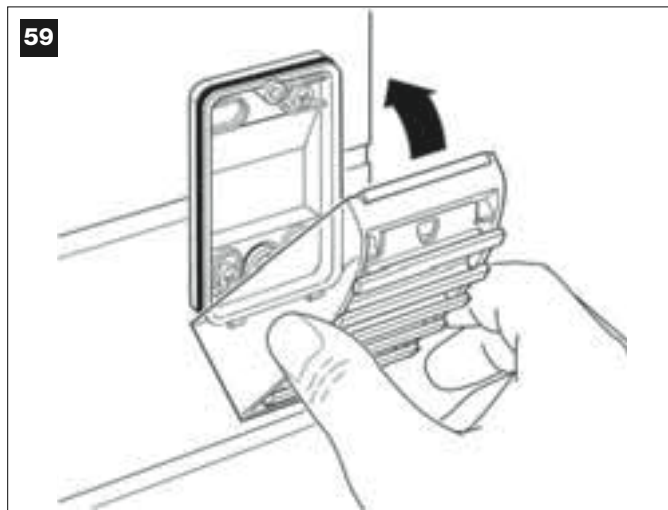
- 03. Fig. 57 :**
b) À l'aide d'une perceuse, percer sur le fond la partie prévue pour le passage du câble de connexion.
b) Fixer le fond du clavier au mur avec les vis prévues à cet effet, en faisant passer le câble dans le trou.



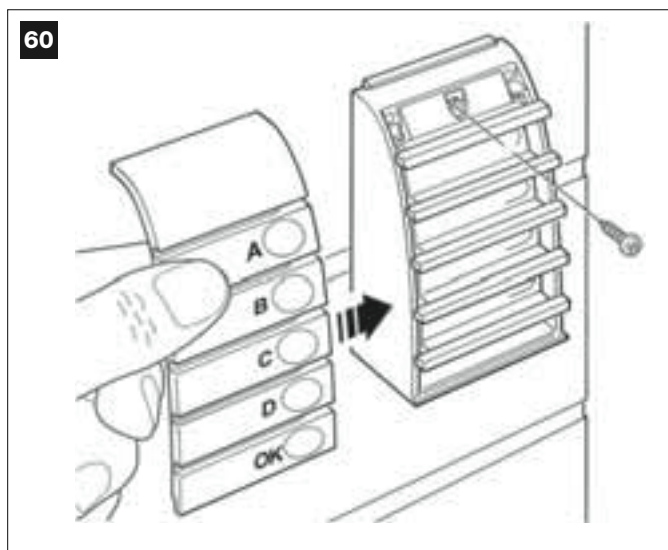
- 04. Fig. 58 :**
a) Connecter les fils du câble aux bornes respectives.
b) Brancher le connecteur du câble sur le connecteur mâle présent à l'arrière du clavier.



- 05. Fig. 59 :**
Remettre le couvercle en faisant en sorte que les dents de ce dernier s'engastrent dans les logements du fond du clavier.



- 06. Fig. 60 :**
Fixer le couvercle de la photocellule au fond avec la vis fournie. Remettre le cache-vis en place comme l'indique l'illustration.



6.6 – INSTALLER LA BATTERIE TAMPON mod. MB

La batterie tampon est du type autorechargeable, d'une tension de 12 V et d'une puissance de 2100mAh. Elle est particulièrement utile en cas de panne soudaine d'énergie électrique (*black-out*). L'opérateur avec logique de commande permet l'installation d'1 batterie.

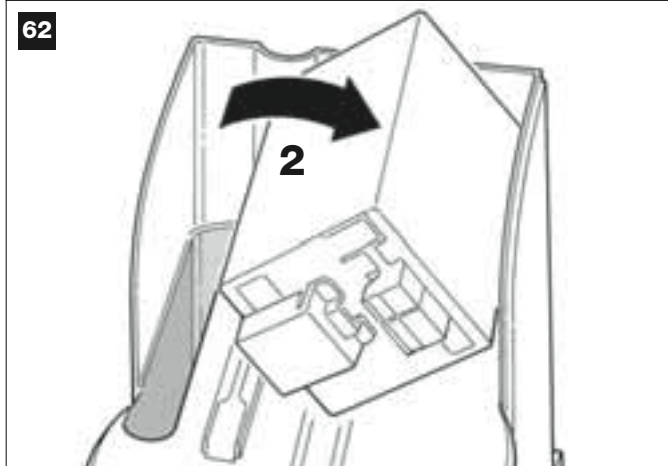
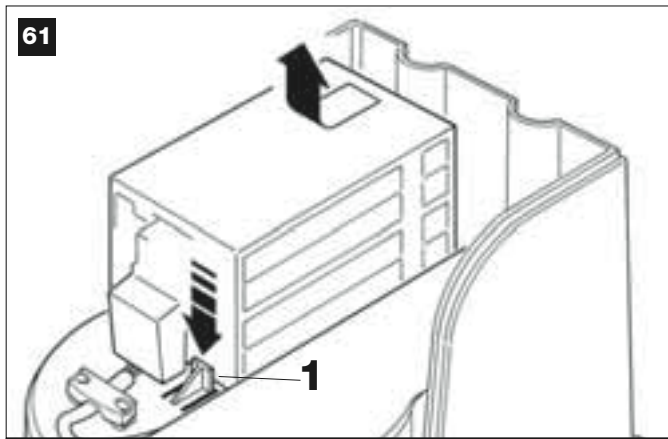
Selon le type et le poids du portail, la batterie chargée parvient à garantir une autonomie d'environ 6 à 7 cycles de manœuvres consécutives (1 cycle = *Ouverture - Fermeture*).

L'espace réservé à la batterie tampon se trouve sous la logique de commande, par conséquent pour l'installer procéder de la façon suivante :

01. À l'aide d'un tournevis cruciforme, dévisser les vis du serre-câble pour libérer le câble d'alimentation et retirer plus facilement la logique de commande de son logement.

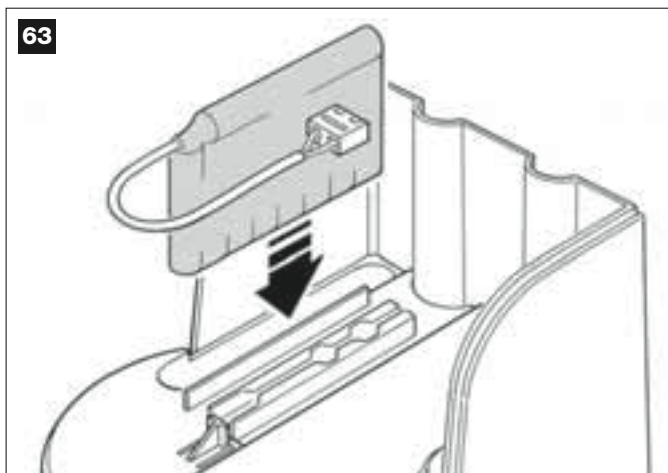
02. Fig. 61-62 :

Appuyer avec un doigt sur l'ailette (1) qui bloque la logique ; de l'autre main, extraire la logique de commande de son logement en la poussant en avant et simultanément vers le haut (2) pour la décrocher du guide de support.



03. Fig. 63 :

Insérer la batterie à l'endroit prévu sous la logique de commande.



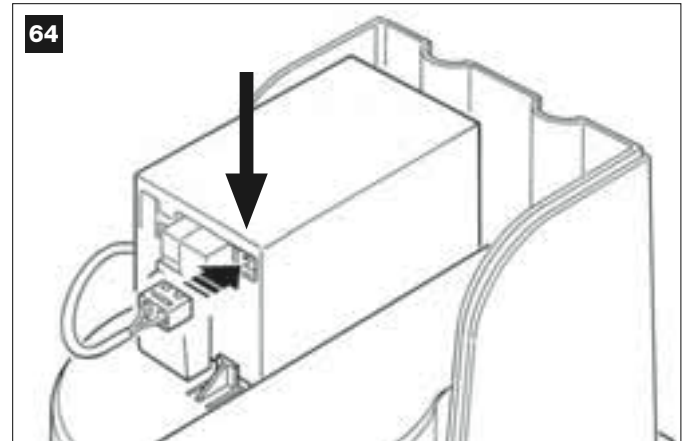
04. Replacer la logique de commande dans son logement de la façon suivante :

- positionner La logique de commande sur son guide de support
- la pousser vers le bas et simultanément la tirer en arrière jusqu'à ce qu'on entende un dé clic.

ATTENTION ! - Le point suivant (05 - connexion électrique de la batterie tampon à la logique de commande) doit être effectué uniquement après avoir conclu toutes les phases d'installation et de programmation, dans la mesure où la batterie représente une alimentation électrique de secours.

05. Fig. 64 :

Brancher ensuite le connecteur de la batterie sur le connecteur mâle présent sur la logique de commande.



RECOMMANDATIONS

Pour garantir une bonne durée de la batterie tampon, respecter les consignes suivantes :

- La batterie tampon est un dispositif de secours : il faut donc ne l'utiliser qu'en cas de besoin réel et en faire un usage modéré. Une utilisation excessive et continue peut causer une surchauffe des éléments, qui pourrait ne plus garantir dans le temps la durée normale de la batterie.
- Éviter de laisser l'automatisme alimenté exclusivement avec la batterie tampon pendant plus d'une journée : ses éléments pourraient se décharger de manière excessive et compromettre la durée de la batterie. Par conséquent, si l'on prévoit de s'absenter pendant une longue période du lieu où l'automatisme est installé, il est préférable de déconnecter la borne de la batterie tampon connectée à la logique de commande.
- Quand la batterie tampon est complètement déchargée, la recharge complète nécessite environ 24 heures.
- En cas de longues périodes d'inutilisation de l'automatisme, pour éviter le risque de fuites de substances nocives de la batterie tampon, il est préférable de l'extraire et de la conserver dans un lieu sec.

Mise au rebut de la batterie

Attention ! – La batterie usagée contient des substances polluantes et ne doit donc pas être jetée avec les ordures ménagères. Il faut la mettre au rebut en adoptant les méthodes de collecte sélective prévues par les normes en vigueur dans le pays d'utilisation.

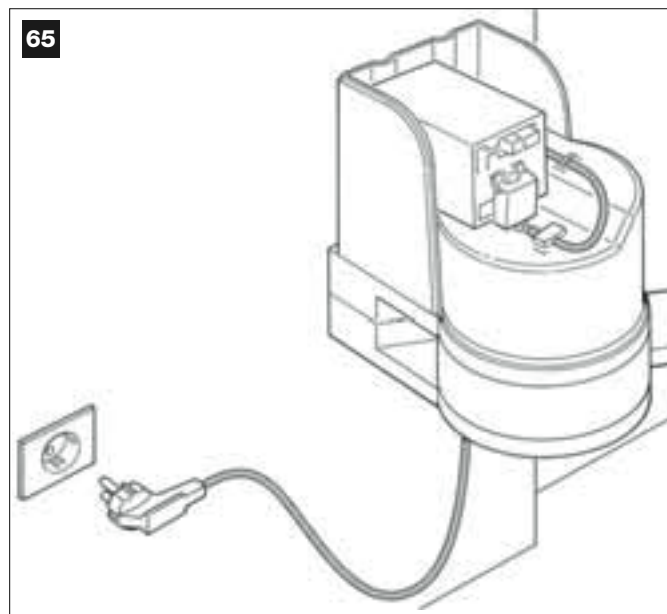
PHASE 7

AVERTISSEMENTS !

- Le câble d'alimentation en PVC fourni avec le produit le rend adapté à l'installation à l'intérieur ; pour l'installation à l'extérieur, il faut protéger tout le câble avec un conduit de protection et d'isolement ou bien remplacer le câble par un autre, par exemple, de type H07RN-F.

- La connexion définitive de l'installation à la ligne électrique ou le remplacement du câble fourni doivent être effectuées exclusivement par un électricien qualifié et expérimenté, dans le respect des normes de sécurité locales en vigueur et des instructions figurant dans l'encadré « Opérations réservées à un technicien qualifié ».

Pour effectuer les essais de fonctionnement et la programmation de l'automatisme, alimenter la logique de commande en branchant la fiche du câble d'alimentation fourni dans une prise électrique (fig. 65). Si la prise se trouve loin de l'automatisme, dans cette phase on peut utiliser une rallonge.



65

PREMIÈRE MISE EN SERVICE ET VÉRIFICATION DES CONNEXIONS ÉLECTRIQUES

PHASE 8

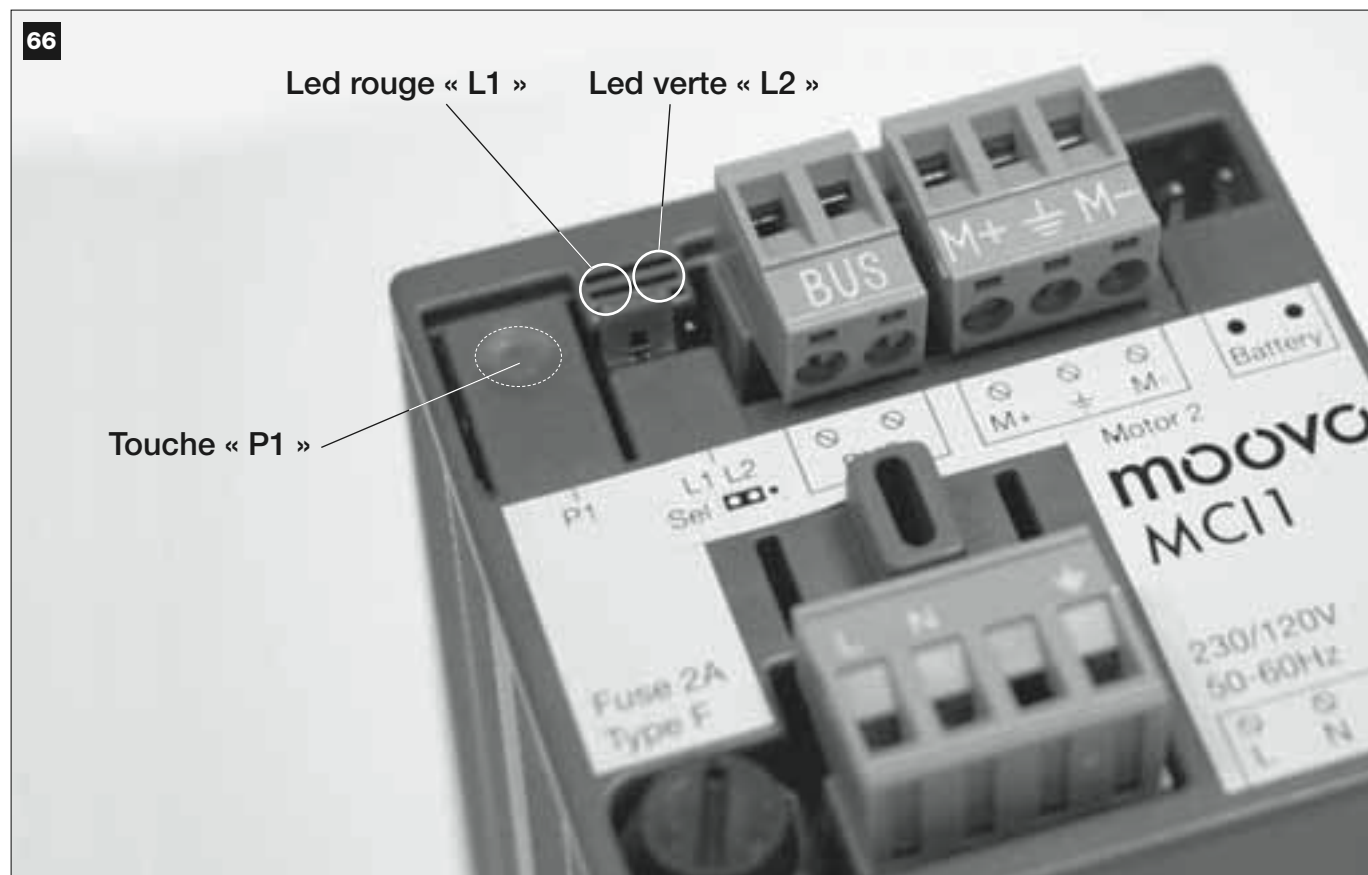
ATTENTION ! – Toutes les opérations successives décrites dans le guide sont effectuées sur des circuits électriques sous tension et les manœuvres peuvent donc être dangereuses ! Procéder par conséquent en prenant toutes les précautions.

Après avoir mis sous tension la logique de commande (fig. 65), la led rouge et la led verte (fig. 66) émettent une série de clignotements. Cette phase terminée, la led rouge commence à clignoter à un rythme

régulier. Cela certifie le fonctionnement régulier de la logique de commande.

Attention ! – Si la led rouge ne clignote pas de la façon décrite, il est conseillé de couper l'alimentation électrique de la logique de commande et de contrôler attentivement les connexions effectuées (consulter également le chapitre « Que faire si... »).

66



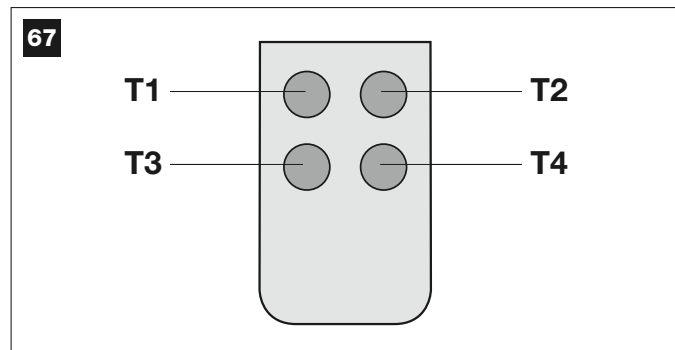
Led rouge « L1 »

Led verte « L2 »

Touche « P1 »

RECOMMANDATIONS pour la programmation :

- Il est conseillé de lire d'abord les procédures et d'effectuer ensuite les opérations, en accomplissant les étapes de chaque procédure l'une après l'autre.
- Dans ce guide, les touches de l'émetteur sont identifiées par des chiffres. Pour connaître la correspondance entre les chiffres cités et les touches de l'émetteur voir la fig. 67.



PHASE 9

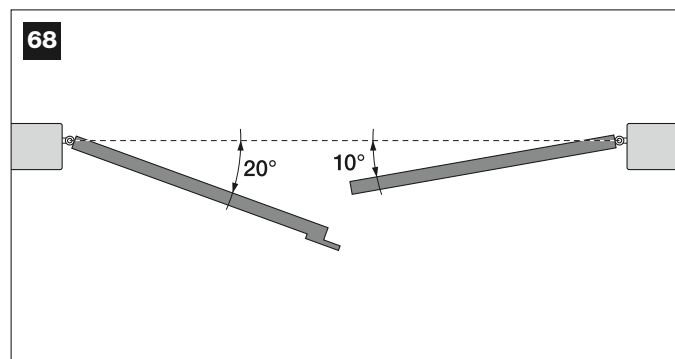
9.1 – MÉMORISATION DES DISPOSITIFS CONNECTÉS PAR CÂBLE « BUS » ET DES POSITIONS DE FIN DE COURSE « 0 » ET « 1 » DES VANTAUX

Programmer la logique de commande en effectuant dans l'ordre les opérations suivantes :

Note – Durant l'exécution de la procédure on peut abandonner à tout moment celle-ci (sans mémoriser les actions effectuées) en pressant 1 fois la touche « P1 » sur la logique de commande (fig. 66). En particulier, à partir du point 07, on peut sortir de la procédure également avec l'intervention d'un dispositif de sécurité (photocellules ou autre...).

01. (sur le portail)

Débloquer les deux opérateurs avec la clé prévue à cet effet (voir le chapitre « Bloquer ou débrayer manuellement l'opérateur » dans la section « DOCUMENTATION TECHNIQUE ») et déplacer à la main les deux vantaux du portail dans la position indiquée sur la fig. 68. Bloquer ensuite de nouveau les opérateurs.



02. (sur la logique de commande)

Garder enfoncée pendant au moins 5 secondes la touche « P1 », jusqu'à ce que la led verte s'éteigne et que la led rouge s'allume (cette dernière reste allumée jusqu'à la fin de la procédure). Relâcher ensuite la touche et effectuer les opérations suivantes :

03. (sur les photocellules pour la sécurité)

Note – Le temps à disposition pour cette vérification est illimité.
Vérifier le fonctionnement correct de ce type de photocellules, en vérifiant que leur led clignote lentement. Si par contre elle est allumée ou éteinte, corriger l'alignement entre les photocellules en cherchant à obtenir un clignotement le plus lent possible (plus le clignotement est lent, meilleur sera l'alignement entre les photocellules).

- clignotant avec rythme lent = alignement correct des photocellules ;
- lumière allumée fixe = alignement non correct (revoir l'alignement entre les photocellules) ;

- lumière éteinte = photocellules mal installées (contrôler la connexion « Bus » des photocellules).

04. (sur les photocellules pour la commande)

Effectuer l'activation de ce type de photocellules (si elles sont présentes dans l'installation), en interrompant une seule fois leur rayon. La confirmation que la reconnaissance a eu lieu est donnée par le clignotant (1 clignotement) et par le clavier (1 bip), s'ils sont présents dans l'installation.

05. (sur les claviers)

Effectuer l'activation des claviers (s'ils sont présents dans l'installation) en pressant sur chacun d'eux une seule fois une seule touche, au choix.

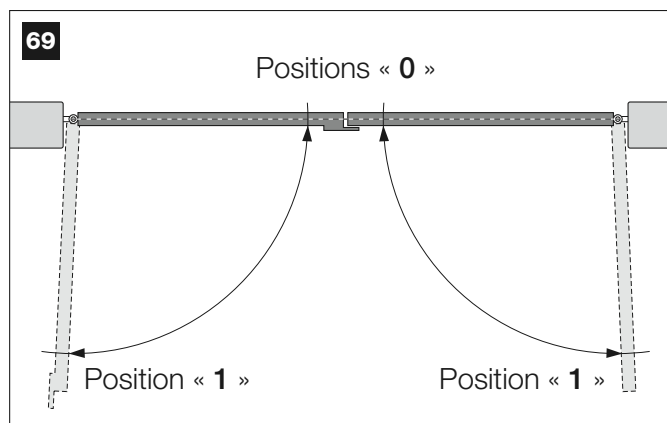
La confirmation que la reconnaissance a eu lieu est donnée par 2 sons rapprochés (bips) émis par le clavier et par un clignotement du clignotant, s'il est présent dans l'installation.

06. (sur la logique de commande)

Garder enfoncée pendant au moins 5 secondes la touche « P1 », jusqu'à ce que la led verte s'éteigne. Relâcher ensuite la touche.

07. (sur le portail)

Note – les manœuvres qui suivent permettent à la logique de commande de mémoriser automatiquement les positions relatives au point « 0 » (Fermeture totale) et au point « 1 » (Ouverture totale), comme l'indique la fig. 69.



La logique de commande fait partir alors automatiquement 3 manœuvres, signalées également par le clignotant :

- 1 - Fermeture du Vantail 2, puis, fermeture du Vantail 1.
- 2 - Ouverture des deux vantaux.
- 3 - Fermeture des deux vantaux.

À la fin de la dernière manœuvre la Led rouge s'éteint (= procédure terminée) puis recommence à clignoter à un rythme régulier.

Attention ! – Dès que la première manœuvre commence, il faut vérifier immédiatement que :

- a - le Vantail 2 bouge avant le Vantail 1 ;
- b - le Vantail 2 bouge dans le sens de la Fermeture.

Si le résultat de ces vérifications n'est pas conforme à ce qui est décrit ici, arrêter immédiatement la procédure en pressant 1 fois la touche « P1 » sur la logique de commande. Puis résoudre le problème « a » et « b » en consultant la PHASE 6.1. Ensuite, répéter une nouvelle fois toute cette procédure 9.1.

Mémoriser dans le futur d'autres dispositifs connectés par câble « Bus »

Si dans un second temps, on souhaite installer et mémoriser d'autres dispositifs connectés à la logique de commande à travers le Bus, et que la procédure 9.1 a déjà été effectuée dans le passé, il est possible de mémoriser les nouveaux dispositifs en utilisant la même procédure, du point 01 jusqu'au point 06. À la fin, presser 1 fois la touche « P1 » sur la logique de commande pour terminer la mémorisation.

9.2 – MÉMORISATION DE L'ÉMETTEUR mod. MT4

Attention ! – Il est conseillé de lire la procédure d'abord et d'effectuer ensuite les opérations, en exécutant ces différentes phases les unes après les autres, sans laisser s'écouler plus de 10 secondes entre le

moment où on relâche une touche et la pression d'une autre touche.

Pour pouvoir commander l'automatisme avec l'émetteur, il faut mémoriser ses touches dans la mémoire de la logique de commande.

La mémorisation permet d'associer à chaque touche une commande désirée, en choisissant parmi les suivantes disponibles :

1 = Pas à pas : correspond à la séquence ... **Ouverture - Stop - Fermeture- Stop ...** La première commande active l'*Ouverture* ; la suivante, avec le vantail en mouvement commande le *Stop* ; la troisième, la *Fermeture* ; la quatrième, avec le vantail en mouvement, commande le *Stop* et ainsi de suite...

2 = Pas-Ouverture : correspond à la séquence ... **Ouverture - Stop - Fermeture- Ouverture ...** La première commande active l'*Ouverture* ; la suivante, avec le vantail en mouvement commande le *Stop* ; la troisième, la *Fermeture* ; la quatrième, avec le vantail en mouvement, commande l'*Ouverture* et ainsi de suite.

3 = Ouverture partielle : correspond à l'ouverture totale d'un seul vantail. Cette commande n'a d'effet que si le **Vantail 2**, celui qui est « dessous », est complètement fermé.

4 = Ouverture collective : cette commande est pensée pour une utilisation collective et prévoit la programmation de tous les émetteurs des différents utilisateurs avec une seule touche « ouverture collective ». Cette commande fonctionne comme suit :

- si la commande est envoyée pendant qu'une manœuvre d'*Ouverture* est en cours, la manœuvre continue ;
- si la commande est envoyée pendant qu'une manœuvre de *Fermeture* est en cours, la manœuvre s'interrompt et la manœuvre d'*Ouverture* commence ;
- si la commande est envoyée quand le portail est arrêté et complètement ouvert, la manœuvre de *Fermeture* commence. **Note** – Il est possible d'obtenir aussi la **fermeture automatique du portail**, en programmant un temps de pause désiré (voir le chapitre 10).

La simple exécution de la procédure mémorise **une seule touche** de l'émetteur ; cette touche peut être mémorisée aussi bien sur cette logique de commande que sur les logiques de commande d'autres automatismes. La mémoire de la logique de commande peut mémoriser jusqu'à 150 touches.

Pour chaque touche que l'on souhaite mémoriser, répéter la procédure qui suit.

- 01.** Choisir la **touche** de l'émetteur que l'on veut mémoriser (exemple : *la touche T3*).
- 02.** Choisir quelle **commande**, parmi celles qui sont indiquées plus haut, on veut associer à la touche choisie (exemple : *la commande « 2 »*).
- 03.** Presser la touche « **P1** » (sur la logique de commande) un nombre de fois équivalant au numéro de la commande choisie (dans notre exemple : « 2 » fois) et vérifier que la led verte émet le même nombre de clignotements rapides (ces derniers se répètent à un rythme régulier).
- 04.** (dans les 10 secondes qui suivent) Maintenir enfoncée sur l'émetteur pendant au moins 2 secondes, la touche que l'on souhaite mémoriser (dans notre exemple, la touche T3).

Si la mémorisation a été correctement effectuée, la led verte émettra trois longs clignotements (= mémorisation ok). **Note** – Avant que les 10 secondes ne s'écoulent, il est possible de mémoriser une touche d'un NOUVEL émetteur avec la même commande (fonction utile quand il faut mémoriser par exemple plusieurs émetteurs dans la même logique de commande).

En cas contraire, attendre que la led verte s'éteigne (= procédure terminée) et que la led rouge recommence à clignoter à un rythme régulier.

9.3 – PROGRAMMATION DU CLAVIER mod. MK

Le clavier de commande peut être programmé en deux modes de fonctionnement, alternatifs l'un à l'autre :

- **mode TRADITIONNEL** (sans mot de passe personnel)
- **mode SÉCURITÉ** (avec mot de passe personnel)

Après sa mémorisation (voir PHASE 9.1) le clavier est sélectionné en « mode Traditionnel » (réglage par défaut) et on peut changer de mode comme décrit ci-après.

Mode de fonctionnement « Traditionnel »

Dans ce mode, les touches sont indépendantes et chacune d'elles commande une action spécifique. Les commandes sont :

- touche « **A** » = commande **Pas à Pas**
- touche « **B** » = commande **Ouverture partielle**

- touche « **C** » = commande **Ouverture**
- touche « **D** » = commande **Fermeture**
- touche « **OK** » = commande **Stop**

Mode de fonctionnement « Sécurité »

Dans ce mode, le clavier fonctionne en tapant un mot de passe décidé par l'utilisateur (de 1 à 10 lettres), suivi de la touche « **OK** ». Cette combinaison de touches envoie seulement la commande spécifique que l'utilisateur a paramétrée durant la programmation de la modalité.

Note – Si la commande *Pas à Pas* est programmée, après avoir envoyé la commande, on dispose de 10 secondes pour envoyer une éventuelle commande successive en pressant simplement la touche « **OK** ». On évite ainsi de devoir taper de nouveau le mot de passe.

PROGRAMMATION DU MODE « SÉCURITÉ »

- 01.** Maintenir enfoncées simultanément les touches « **A** » et « **B** » pendant quelques secondes, jusqu'à ce que le clavier émette une séquence de sons (bips) qui signalent le début de la programmation.
- 02.** En utilisant les touches du clavier taper le « code PUK » (code à 10 lettres fourni avec le clavier) ; presser ensuite la touche « **OK** ». Si le code est correct, le clavier émet une série de sons (bips) ; s'il est erroné le clavier émet un son unique et continu.
- 03.** En utilisant les touches du clavier taper un mot de passe personnel (de 1 à 10 lettres) ; presser ensuite la touche « **OK** ». Le clavier émet une série de sons (bips).
- 04.** Choisir enfin dans la liste ci-dessous la commande que l'on désire programmer et presser sur le clavier la **touche associée à la commande** puis, ensuite, la touche « **OK** » :

Commande Pas à pas	= touche A
Commande Ouverture partielle	= touche B
Commande Ouverture	= touche C
Commande Fermeture	= touche D
Commande Stop	= touche OK

Le clavier émet une série de sons (bips) qui concluent cette programmation.

Modifier le mot de passe personnel

Si l'on souhaite modifier son mot de passe, refaire toute la procédure « mode Sécurité », en changeant au point 03 le mot de passe existant.

PROGRAMMATION DU MODE « TRADITIONNEL »

Pour programmer ce mode de fonctionnement effectuer la procédure « Programmation du mode Sécurité », en pressant au point 03 et 04 seulement la touche « **OK** ».

La logique de commande possède certaines options qui permettent d'ajouter à l'automatisme des fonctions spécifiques, capables de la personnaliser suivant les besoins personnels.

10 – RÉGLAGE DU FONCTIONNEMENT DE L'AUTOMATISME

Pour personnaliser le fonctionnement de l'automatisme on peut activer ou désactiver certaines fonctions et en modifier la valeur. Les fonctions sont :

- **FERMETURE AUTOMATIQUE DES VANTAUX.** Quand cette fonction est active, à la fin d'une manœuvre d'*Ouverture* commandée par l'utilisateur, la logique de commande referme automatiquement le portail au bout d'un temps donné.

- **VITESSE DE MANŒUVRE DES VANTAUX.** Cette fonction permet de sélectionner la vitesse à laquelle l'automatisme manœuvre les vantaux du portail.

- **SENSIBILITÉ DES VANTAUX ENVERS LES OBSTACLES.** Si durant une manœuvre un obstacle accidentel freine le mouvement des vantaux du portail (une rafale de vent, un véhicule, une personne, etc.), cette fonction détecte rapidement l'augmentation de l'effort du moteur pour s'opposer à l'obstacle et commande immédiatement l'inversion totale du mouvement. Si la « fermeture automatique des vantaux » a été réglée, la logique de commande réessaye une deuxième fois et à la troisième tentative, après une brève inversion, arrête définitivement la manœuvre.

- **DÉCHARGE DE LA PRESSION DES VANTAUX.** À la fin de la manœuvre de *Fermeture*, après que les vantaux ont atteint le fin de course « 0 », le moteur continue à « pousser » les vantaux encore quelques instants, pour assurer une fermeture parfaite. Juste après, cette fonction de commande une brève inversion du mouvement, afin de relâcher la pression en excès exercée par le moteur sur les vantaux.

Les valeurs de ces fonctions peuvent être réglées suivant les besoins en utilisant la procédure suivante et un émetteur ayant au moins une touche déjà mémorisée dans la logique de commande.

Note – *Durant l'exécution de la procédure, chaque fois que l'on presse une touche, le clignotant émet un clignotement.*

01. Maintenir enfoncées **simultanément**, pendant au moins **5 secondes**, les touches « T1 » et « T2 » sur l'émetteur puis les relâcher. Sur la logique de commande les deux leds (verte et rouge) clignotent en signalant ainsi l'entrée dans la « programmation fonctions » (les leds continueront à clignoter pendant toute la durée de la procédure).

02. Garder enfoncée pendant au moins **1 seconde** une touche sur l'émetteur qui est déjà mémorisée sur cette logique (la led verte émet 1 clignotement).

03. Choisir ensuite l'une des quatre fonctions disponibles puis, sur l'émetteur, maintenir enfoncée pendant au moins **1 seconde** la touche qui résulte associée à la fonction choisie (la led verte émet 1 clignotement) :

- Fermeture automatique des vantaux = (presser la touche « T1 »)
- Vitesse de manœuvre des vantaux = (presser la touche « T2 »)
- Sensibilité des vantaux envers les obstacles = (presser la touche « T3 »)
- Décharge de la pression des vantaux = (presser la touche « T4 »)

04. Pour finir, en consultant le **Tableau 4**, sélectionner la valeur désirée au niveau de la fonction voulue puis, sur l'émetteur, maintenir enfoncée pendant au moins **1 seconde** la touche qui résulte associée à la valeur choisie (les leds verte et rouge émettent 1 bref clignotement de confirmation).

TABLEAU 4

FERMETURE AUTOMATIQUE des vantaux

Aucune fermeture → (presser la touche « T1 »)

Fermeture au bout de 15 secondes → (presser la touche « T2 »)

Fermeture au bout de 30 secondes → (presser la touche « T3 »)

Fermeture au bout de 60 secondes → (presser la touche « T4 »)

VITESSE DE MANŒUVRE des vantaux

Basse → (presser la touche « T1 »)

Moyenne basse → (presser la touche « T2 »)

Moyenne élevée → (presser la touche « T3 »)

Élevée → (presser la touche « T4 »)

SENSIBILITÉ des vantaux ENVERS LES OBSTACLES

Élevée → (presser la touche « T1 »)

Moyenne élevée → (presser la touche « T2 »)

Moyenne basse → (presser la touche « T3 »)

Basse → (presser la touche « T4 »)

DÉCHARGE DE LA PRESSION des vantaux.

Aucune décharge → (presser la touche « T1 ») (*)

Minimum → (presser la touche « T2 »)

Moyenne → (presser la touche « T3 »)

Maximum → (presser la touche « T4 »)

Notes sur le Tableau 4 :

– (*) il est conseillé de ne JAMAIS régler cette valeur.

– Le Tableau indique les valeurs disponibles pour chacune des 4 fonctions spéciales et la touche correspondante qu'il faut presser sur l'émetteur pour sélectionner la valeur en question.

– La couleur grise correspond aux valeurs réglées à l'usine.

– En cas de coupure de l'énergie électrique, au retour du courant la première manœuvre commandée sera effectuée par l'automatisme à vitesse réduite, indépendamment du type de vitesse programmé.

11 – MÉMORISATION D'UN NOUVEL ÉMETTEUR AVEC LA PROCÉDURE « À PROXIMITÉ » DE LA LOGIQUE DE COMMANDE [avec un émetteur déjà mémorisé]

Il est possible de mémoriser un NOUVEL émetteur dans la mémoire de la logique de commande sans agir directement sur la touche « P1 » de la logique mais en opérant simplement dans son rayon de réception. Pour activer la procédure, il faut disposer d'un ANCIEN émetteur, déjà mémorisé et fonctionnant. La procédure permettra au NOUVEL émetteur de recevoir les réglages de l'ANCIEN.

Attention - La procédure doit être effectuée en opérant dans le rayon de réception du récepteur (à 10-20 m maximum du récepteur).

01. Sur le NOUVEL émetteur, maintenir enfoncée pendant au moins **5 secondes** la touche que l'on souhaite mémoriser puis la relâcher.

02. Sur l'ANCIEN émetteur, presser lentement **3 fois** la touche avec la commande que l'on souhaite mémoriser sur l'autre émetteur.

03. Sur le NOUVEL émetteur, presser **1 fois** la même touche pressée précédemment au point 01.

Note – La procédure doit être répétée pour chaque touche que l'on souhaite mémoriser.

12 – EFFACEMENT DES DONNÉES PRÉSENTES DANS LA MÉMOIRE DE LA LOGIQUE DE COMMANDE

Il est possible d'effacer les données présentes dans la mémoire de la logique de commande, en opérant en mode sélectif ou en mode total. Pour cette opération on peut utiliser, suivant les besoins les procédures suivantes :

- Effacement d'une commande dans un Émetteur déjà mémorisé.
- Effacement des autres données mémorisées dans la logique de commande.

Effacement d'une commande dans un émetteur déjà mémorisé

La procédure qui suit permet d'effacer de la mémoire de la logique de commande une commande unique assignée à une touche de l'émetteur.

Note – *Durant la procédure, la led rouge et la led verte restent allumées avec lumière fixe.*

- 01.** Maintenir enfoncée pendant plus de **10 secondes** la touche « **P1** » sur la logique de commande : la led **verte** s'allume en premier puis, au bout de 5 secondes, la led **rouge** s'allume à son tour et les deux restent allumées, en signalant ainsi que la logique de commande est entrée en mode « effacement mémoire » (**ATTENTION ! – ne pas relâcher la touche « P1 » !**).
- 02.** Sans relâcher la touche « P1 », presser sur l'émetteur la touche que l'on compte effacer : si la logique de commande reconnaît cette opération, la Led **verte** émet un clignotement bref et, à ce point, on peut relâcher les touches « **P1** » puis celle sur l'émetteur.

Effacement des autres données mémorisées dans la logique de commande

La procédure qui suit permet d'effacer de la **mémoire** de la logique de commande les différents types de données mémorisées, telles qu'elles sont indiquées dans le **Tableau 5**.

Note – *Durant la procédure, la led rouge et la led verte restent allumées avec lumière fixe.*

- 01.** Maintenir enfoncée pendant plus de **10 secondes** la touche « **P1** » sur la logique de commande : la led **verte** s'allume en premier puis, au bout de 5 secondes, la led **rouge** s'allume à son tour et les deux restent allumées, en signalant ainsi que la logique de commande est entrée en mode « effacement mémoire ». Relâcher ensuite la touche.
- 02.** En consultant le **Tableau 5** choisir le type de données que l'on compte effacer et presser la touche « **P1** » un nombre de fois identique au nombre de pressions indiqué entre parenthèses (*à chaque pression de la touche « P1 », la Led verte émet un clignotement*).
- 03.** 5 secondes après la dernière pression de la touche « **P1** », si l'effacement s'est effectué correctement, les deux leds (rouge et verte) clignotent rapidement (= mémoire effacée !).

Note – *Avant que l'effacement ait effectivement lieu, on dispose d'un délai de 5 secondes, au cours duquel on peut revenir sur sa décision ; dans cet intervalle, il est possible de quitter la procédure sans effacer aucune donnée en pressant 5 fois la touche « P1 ».*

IMPORTANT ! – Après l'effacement de la « **Mémoire des positions 0 et 1** » et de la « **Mémoire TOTALE** », il faudra effectuer de nouveau la procédure **9.1 – « Mémorisation des dispositifs connectés par câble « bus » et des positions de fin de course 0 et 1 des vantaux »**.

TABLEAU 5

- Mémoire des valeurs des fonctions en option (= **1 pression**)
- Mémoire des positions « **0** » et « **1** » (= **2 pressions**)
- Mémoire des Émetteurs (= **3 pressions**)
- Mémoire TOTALE (= **4 pressions**) *Note – efface en une seule fois les trois premières mémoires*



Opérations réservées à un technicien qualifié

ATTENTION ! – Toutes les opérations contenues dans cet encadré doivent être exécutées exclusivement par du personnel qualifié et expert, en respectant les instructions du manuel, les lois et les normes de sécurité en vigueur sur le territoire.

CONNEXION DE L'AUTOMATISME AU SECTEUR AVEC UN CÂBLE DIFFÉRENT DU CÂBLE FOURNI

ATTENTION ! – Une connexion incorrecte peut provoquer des pannes ou des situations de danger ; respecter par conséquent scrupuleusement les connexions indiquées dans ce paragraphe.

Si la distance entre le portail et la prise de l'alimentation électrique fixe est supérieure à la longueur du câble d'alimentation fourni, on peut remplacer ce câble par une ligne électrique protégée et adaptée à l'environnement de l'installation.

Pour cela, utiliser un câble d'alimentation de 3 x 1,5 mm², d'une longueur inférieure à 30 m. Pour des longueurs supérieures, utiliser un câble de section supérieure : par exemple, 3 x 2,5 mm² en prévoyant la mise à la terre à proximité de l'automatisme. Agir comme suit.

Pour connecter le nouveau câble à la logique de commande :

01. Fig. A :

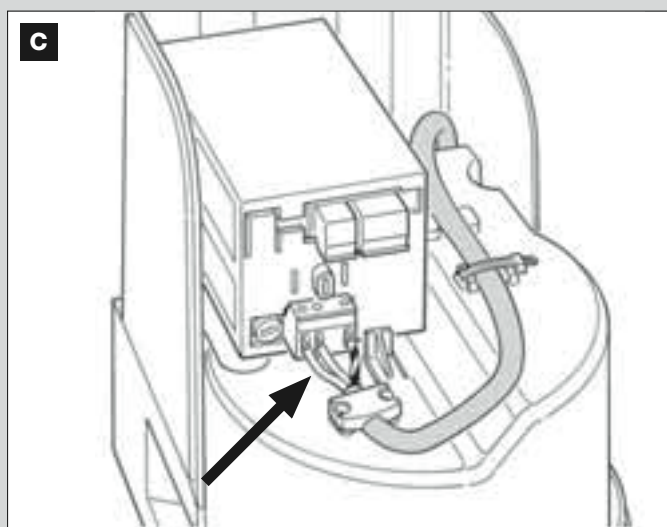
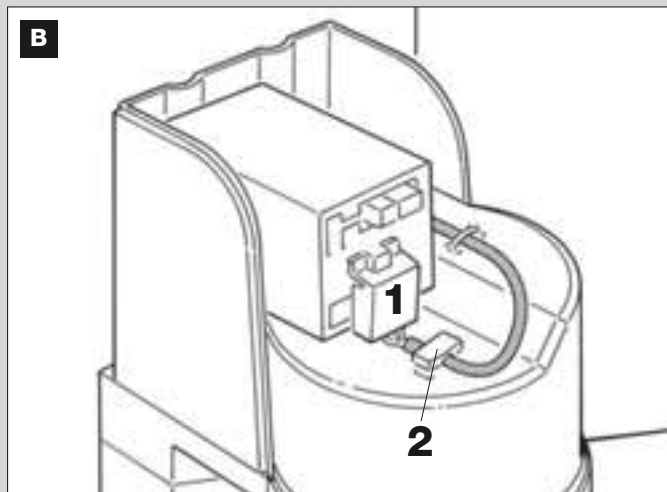
- Dévisser la vis située sur la partie supérieure du couvercle, en utilisant un tournevis cruciforme.
- Positionner deux doigts sur les deux cavités présentes sur la partie arrière de l'opérateur et soulever le couvercle en le tirant vers le haut, en faisant levier sur la base sur laquelle il prend appui.



02. Fig. B et C : À l'aide d'un tournevis cruciforme, dévisser les vis du couvercle du bornier (fig. B-1) et du serre-câble (fig. B-2) pour libérer le câble d'alimentation à remplacer et l'éliminer. Ensuite, introduire le nouveau câble d'alimentation dans le trou présent sur la face inférieure de l'opérateur et connecter les fils du câble au bornier, en

faisant attention à respecter les symboles présents. **Note** – pour une connexion aisée des fils électriques, extraire le bornier de son logement.

- fil électrique **Marron**, à connecter à la « Phase » ;
- fil électrique **Bleu**, à connecter au « Neutre » ;
- fil électrique **Jaune-vert**, à connecter à la « Terre ».



03. Pour finir, remettre le serre-câble et le couvercle du bornier et refermer l'opérateur avec son couvercle.

Pour connecter le nouveau câble au secteur :

Attention ! – Quand on effectue cette connexion, il faut installer sur la ligne d'alimentation (entre l'automatisme et la ligne électrique) un dispositif de protection contre le court-circuit.

De plus, sur la ligne d'alimentation du secteur électrique, il faut installer aussi un dispositif de déconnexion de l'alimentation (avec catégorie de surtension III, c'est-à-dire avec une distance entre les contacts d'au moins 3 mm) ou bien un autre système équivalent (par exemple prise + fiche).

Ce dispositif, en cas de besoin, garantit une déconnexion sûre et rapide de l'alimentation ; il doit donc être placé si possible dans une position visible depuis l'automatisme. S'il se trouve à distance, dans une position non visible, il faut prévoir un système empêchant l'éventuelle reconnexion accidentelle ou non autorisée de l'alimentation, pour conjurer tout danger.

Note – Le dispositif de connexion n'est pas fourni avec le produit.

ESSAI ET MISE EN SERVICE DE L'AUTOMATISME

Il s'agit des phases les plus importantes dans la réalisation de l'automatisation afin de garantir la sécurité maximum de l'installation.

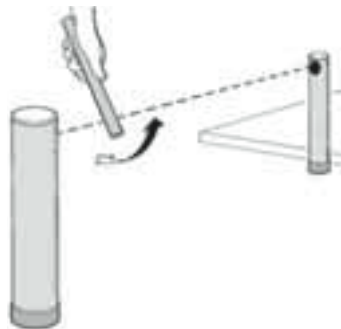
La procédure d'essai décrite peut être utilisée aussi pour vérifier périodiquement les dispositifs qui composent l'automatisme.

Les phases de l'essai et de la mise en service de l'automatisme doivent être effectuées par du personnel qualifié et expérimenté qui devra se charger d'établir les essais nécessaires pour vérifier les solutions adoptées en fonction du risque présent et s'assurer du respect de tout ce qui est prévu par les lois, les normes et les réglementations, en particulier, de toutes les prescriptions de la norme EN 12445 qui établit les méthodes d'essai pour le contrôle des automatismes de portails.

ESSAI DE L'AUTOMATISME

- 1 Vérifier que les conditions prévues en matière de sécurité dans la PHASE 1 ont été rigoureusement respectées.
- 2 En utilisant l'émetteur, effectuer des essais de fermeture et d'ouverture du portail et vérifier que le mouvement du vantail correspond à ce qui est prévu.
Il convient d'effectuer différentes manœuvres pour contrôler la fluidité du mouvement et détecter les éventuels défauts de montage et de réglage ainsi que la présence de points de frottement.
- 3 Vérifier un par un le fonctionnement correct de tous les dispositifs de sécurité présents dans l'installation (photocellules, bords sensibles, etc.). **Photocellules** : faire intervenir le dispositif durant une manœuvre d'*Ouverture* ou de *Fermeture* et vérifier que la logique de commande arrête la manœuvre et effectue une inversion totale du mouvement (le clignotant émet 2 clignotements répétés une deuxième fois). **Bords sensibles** : faire intervenir le dispositif durant une manœuvre d'*Ouverture* ou de *Fermeture* et vérifier que la logique de commande arrête la manœuvre et effectue une brève inversion du mouvement (le clignotant émet 4 clignotements répétés une deuxième fois).
- 4 Vérifier qu'il n'y a pas d'interférences entre les photocellules et d'autres dispositifs en interrompant avec un cylindre (diamètre 5 cm, longueur 30 cm) l'axe optique qui relie la paire de photocellules (fig. 70) : passer le cylindre d'abord près de la photocellule TX, puis près de la RX et enfin au centre, entre les deux photocellules. Vérifier ensuite que le dispositif intervient dans tous les cas, en passant de l'état d'actif à celui d'alarme et vice versa ; puis contrôler qu'il provoque l'action prévue dans la logique de commande (par exemple, l'inversion du mouvement dans la manœuvre de *Fermeture*).
- 5 Effectuer la mesure de la force d'impact conformément à ce qui est prévu par la norme EN 12445 et éventuellement, si le contrôle de la « force moteur » est utilisé comme soutien du système pour la réduction de la force d'impact, essayer et trouver le réglage qui donne les meilleurs résultats.
- 6 Commander une manœuvre de *Fermeture* et vérifier la force d'impact du vantail contre la butée du fin de course mécanique. Si nécessaire, décharger la pression, en trouvant un réglage donnant de meilleurs résultats.

70



MISE EN SERVICE DE L'AUTOMATISME

La mise en service ne peut avoir lieu que si toutes les phases d'essai ont été effectuées avec résultat positif. La mise en service partielle ou dans des situations « provisoires » n'est pas autorisée.

- 1 Réaliser le dossier technique de l'automatisme qui devra comprendre les documents suivants : le dessin d'ensemble (voir l'exemple de la fig. 8), le schéma des connexions électriques (par exemple, comme la fig. 26), l'analyse des risques présents et les solutions adoptées (voir sur le site www.moovo.com, les documents à remplir) la déclaration de conformité du fabricant de tous les dispositifs utilisés et la déclaration de conformité remplie par l'installateur (voir dans la section « DOCUMENTATION TECHNIQUE »).
- 2 Appliquer sur le portail une plaquette contenant au moins les données suivantes : type d'automatisme, nom et adresse du constructeur (responsable de la « mise en service »), numéro de série, année de construction et marque CE ;
- 3 Remplir et remettre au propriétaire de l'automatisme la déclaration de conformité ; il faut remplir pour cela le document « **Déclaration CE de conformité** » présent dans la section « DOCUMENTATION TECHNIQUE ».
- 4 Remplir et remettre au propriétaire de l'automatisme le document « **Guide de l'utilisateur** » présent dans la section « DOCUMENTATION TECHNIQUE ».
- 5 Réaliser et remettre au propriétaire de l'automatisme le document « **Plan de maintenance** » présent dans la section « DOCUMENTATION TECHNIQUE » qui réunit les prescriptions pour la maintenance de tous les dispositifs de l'automatisme.
- 6 Avant de mettre l'automatisme en service, informer de manière adéquate le propriétaire sur les risques résiduels.

INTERVENTIONS DE MAINTENANCE PÉRIODIQUE

En général, le présent produit n'a pas besoin d'être soumis à une maintenance particulière ; toutefois, un contrôle régulier dans le temps permet de garantir le fonctionnement régulier de l'installation et l'efficacité des dispositifs de sécurité installés.

Pour effectuer une maintenance correcte, consulter le chapitre « **Plan de maintenance** » présent dans la section « DOCUMENTATION TECHNIQUE » à la fin du manuel.

MISE AU REBUT DU PRODUIT

Ce produit est partie intégrante de l'automatisme et doit donc être mis au rebut avec ce dernier.

Comme pour les opérations d'installation, à la fin de la durée de vie de ce produit, les opérations de démantèlement doivent être effectuées par du personnel qualifié.

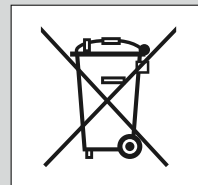
Ce produit est constitué de différents types de matériaux : certains peuvent être recyclés, d'autres doivent être mis au rebut. Informez-vous sur les systèmes de recyclage ou de mise au rebut prévus par les règlements, en vigueur dans votre pays, pour cette catégorie de produit.

Attention ! – certains composants du produit peuvent contenir des substances polluantes ou dangereuses qui pourraient avoir des effets nuisibles sur l'environnement et sur la santé des personnes s'ils étaient

jetés dans la nature.

Comme l'indique le symbole ci-contre, il est interdit de jeter ce produit avec les ordures ménagères. Par conséquent, utiliser la méthode de la « collecte sélective » pour la mise au rebut des composants conformément aux prescriptions des normes en vigueur dans le pays d'utilisation ou restituer le produit au vendeur lors de l'achat d'un nouveau produit équivalent.

Attention ! – les règlements locaux en vigueur peuvent appliquer de lourdes sanctions en cas d'élimination illicite de ce produit.



CARACTÉRISTIQUES TECHNIQUES DES DIFFÉRENTS COMPOSANTS DU PRODUIT

AVERTISSEMENTS :

- Le produit XA4... est produit par Nice S.p.a. (TV) Italie. **Moovo** est une marque de Nice S.p.a.
- Toutes les caractéristiques techniques indiquées se réfèrent à une température ambiante de 20 °C (± 5 °C).
- Nice S.p.a. se réserve le droit d'apporter des modifications au produit à tout moment si elle le jugera nécessaire, en garantissant dans tous les cas les mêmes fonctions et le même type d'utilisation prévu.

OPÉRATEURS XA4...

Note – Le modèle XA4-32e contient la logique de commande.

DESCRIPTION	DONNÉES			
	Mod. XA432		Mod. XA432e	
Alimentation	12 Vdc		230 Vac - 50/60 Hz	
Puissance maximum absorbée (W) du moteur	250 W			
Poussée maximum	150 N			
Poussée nominale	70 N			
Vitesse à vide	<i>lent</i> 4,5° / sec	<i>rapide</i> 9° / sec	<i>lent</i> 4,5° / sec	<i>rapide</i> 9° / sec
Vitesse nominale	3° / sec	6° / sec	3° / sec	6° / sec
Cycles / h au couple nominal (20°C)	8			
Fréquence maximum des cycles de fonctionnement continu	5			
Temp. de fonctionnement	- 20 / + 50° C			
Dimensions	253 x 155 h x 235 mm			
Poids	6.2 kg		6.3 kg	
Indice de protection	IP 44			
Durabilité estimée (*)	de 50.000 à 100.000 cycles de manœuvres			

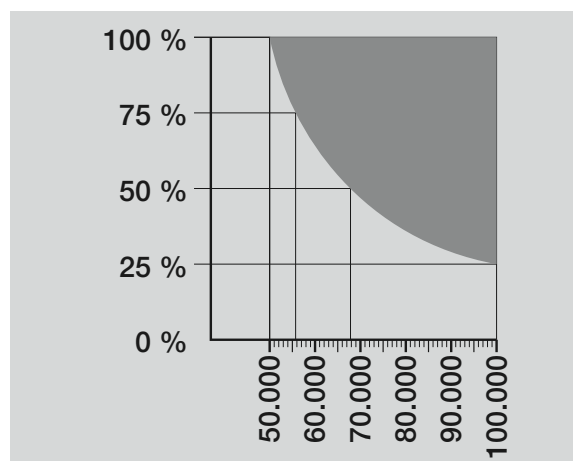
(*) **Note** – La durabilité estimée du produit est comprise entre 50.000 et 100.000 cycles de manœuvres. Pour établir la durabilité probable de votre automatisme procéder de la façon suivante :

a) – évaluer les conditions d'utilisation des forces en jeu présents dans votre installation comme par exemple...

- le poids et la longueur du vantail ;
- le parfait équilibrage du vantail ;
- l'état d'entretien des gonds du vantail ;
- la typologie du vantail : plein ou avec de nombreuses ouvertures ;
- la présence de vent fort ;
- la fréquence d'utilisation de l'automatisme.

b) – tirer de ces évaluations une valeur exprimée en pourcentage qui, en général, définit le degré d'usure plus ou moins important de l'automatisme.

c) – identifier dans le graphique ci-contre le pourcentage estimé (au point « b ») et lire au niveau de ce dernier le nombre de cycles de manœuvres.



CLIGNOTANT MF

DESCRIPTION	DONNÉES
Typologie	Lampe de signalisation clignotante pour automatismes sur portails et portes
Technologie adoptée	Signalisation lumineuse avec lampe commandée par les logiques de commande Moovo avec système « Bus » pour automatisme
Ampoule	12V 21W culot BA15 (ampoule type automobile)
Alimentation	Le dispositif doit être connecté à la borne « Bus » des logiques de commande Moovo pour automatismes
Température ambiante de fonctionnement	- 20 °C ÷ 50 °C
Utilisation en atmosphère acide, saline ou potentiellement explosive	Non
Montage	Vertical sur le plat ; ou horizontal au mur
Indice de protection	IP 44
Dimensions	135 x 120h x 110 mm
Poids	340 g

ÉMETTEUR MT4

DESCRIPTION	DONNÉES
Typologie	Émetteurs radio pour commander des automatismes de portails et de portes
Technologie adoptée	Modulation codée AM OOK radio
Fréquence	433,92 MHz (\pm 100 kHz)
Codage	code variable (rolling code) avec code à 64 Bits (18 milliards de milliards de combinaisons)
Touches	4, chaque touche peut être utilisée pour les différentes commandes de la même logique de commande ou de logiques de commande différentes
Puissance rayonnée	1 dBm PAR
Alimentation	3V +20% -40% avec une pile au lithium type CR2032
Durée des piles	3 ans, estimée sur une base de 10 commandes/jour d'une durée d'1s à 20°C (aux basses températures l'efficacité des piles diminue)
Température ambiante de fonctionnement	- 20 °C ÷ 50 °C
Utilisation en atmosphère acide, saline ou potentiellement explosive	Non
Indice de protection	IP 40 (utilisation à l'intérieur ou dans des milieux protégés)
Dimensions	40 x 70h x 8 mm
Poids	25 g
Portée	estimée 200 m à l'extérieur ; 35 m à l'intérieur d'édifices (*)

(*) La portée des émetteurs et la capacité de réception du récepteur sont fortement influencées par d'autres dispositifs (par exemple : alarmes, écouteurs radio, etc.) qui fonctionnent dans la zone à la même fréquence. Par conséquent, en cas d'interférences, Nice ne peut offrir aucune garantie sur la portée réelle de ses dispositifs.

PHOTOCELLULES MP

DESCRIPTION	DONNÉES
Typologie	Détecteur de présence pour automatismes de portails et portes (type D selon la norme EN 12453) composé d'une paire comprenant 1 émetteur « TX » et 1 récepteur « RX »
Technologie adoptée	Optique, par interpolation directe TX-RX avec rayon infrarouge modulé
Capacité de détection	Objets opaques situés dans l'axe optique entre TX et RX de dimensions supérieures à 50 mm et vitesse inférieure à 1,6 m/s
Angle de transmission TX	20° environ
Angle de réception RX	20° environ
Portée utile	Jusqu'à 7 m pour un désalignement TX-RX maximal de \pm 4° (le dispositif peut signaler un obstacle même en cas de conditions météorologiques particulièrement critiques)
Alimentation / Sortie	Le dispositif doit être connecté au réseau « Bus » Moovo, duquel il prélève l'alimentation électrique et envoie les signaux de sortie.
Puissance absorbée	450 mW en fonctionnement ; 40 mW en stand by
Longueur maximum des câbles	Jusqu'à 20m (respecter les recommandations pour la section minimale et le type de câbles).
Possibilité d'adressage	Jusqu'à 6 détecteurs avec fonction de protection et jusqu'à 4 avec fonction de commande d'ouverture. Le synchronisme automatique évite l'interférence entre les différents détecteurs.
Température ambiante de fonctionnement	- 20 °C ÷ 50 °C
Utilisation en atmosphère acide, saline ou potentiellement explosive	Non
Montage	Vertical sur le plat ; ou horizontal au mur
Indice de protection	IP 44
Dimensions	50 x 85h x 35 mm
Poids (paire)	140 g

CLAVIER MK

DESCRIPTION	DONNÉES
Typologie	Clavier à 5 touches avec possibilité d'actionner l'automatisme avec et sans la saisie d'un code
Technologie adoptée	Possibilité de saisie d'un code d'activation jusqu'à 10 chiffres (plus d'1 million de combinaisons)
Alimentation / Sortie	Le dispositif doit être connecté au réseau « Bus » Moovo, duquel il prélève l'alimentation électrique et envoie les signaux de sortie.
Puissance absorbée	120 mW en fonctionnement ; 45 mW en stand by
Température ambiante de fonctionnement	- 20 °C ÷ 50 °C
Utilisation en atmosphère acide, saline ou potentiellement explosive	Non
Montage	Vertical mural
Indice de protection	IP 44
Dimensions	50 x 85 h x 35 mm
Poids	80 g

Durant le fonctionnement régulier, la logique de commande tient constamment les processus de l'automatisme sous contrôle et est en mesure de signaler les éventuelles anomalies à travers des séquences préétablies de clignotements émis par l'indicateur clignotant et par la led rouge « L1 » présente sur la logique (les clignotements diagnostics se réfèrent toujours à la dernière action accomplie par l'automatisme). Pour comprendre la relation entre le nombre de clignotements émis et la cause qui les a provoqués, se référer au **Tableau 6** qui suit :

TABLEAU 6

Clignotements	Problème	Solution
2 clignotements - <i>pause</i> - 2 clignotements	Durant la manœuvre d' <i>Ouverture</i> ou de <i>Fermeture</i> les vantaux se bloquent ou invertissent la manœuvre en cours.	Ce comportement est provoqué par l'intervention d'une paire spécifique de photocellules, présente dans l'installation, qui détecte un obstacle. Éliminer l'obstacle présent sur la trajectoire de ces photocellules.
3 clignotements - <i>pause</i> - 3 clignotements	<ul style="list-style-type: none"> • Durant la manœuvre d'<i>Ouverture</i> ou de <i>Fermeture</i> les vantaux se bloquent soudainement et la logique effectue l'inversion <u>totale</u> de la manœuvre en cours, en atteignant le fin de course. • Durant la manœuvre d'<i>Ouverture</i> ou de <i>Fermeture</i>, la logique bloque soudainement la manœuvre et effectue une première inversion <u>partielle</u> de la manœuvre en cours, sans atteindre le fin de course, puis deux autres inversions partielles avec blocage définitif du mouvement. 	Les vantaux ont rencontré un plus grand frottement à cause d'un obstacle soudain (une rafale de vent, un véhicule, une personne, etc.). S'il se révèle nécessaire de régler leur sensibilité aux obstacles, consulter le chapitre « Réglages et autres fonctions en option ».
4 clignotements - <i>pause</i> - 4 clignotements	Durant la manœuvre d' <i>Ouverture</i> ou de <i>Fermeture</i> les vantaux se bloquent soudainement et la logique de commande effectue un arrêt suivi d'une brève inversion du mouvement.	D'éventuels dispositifs de sécurité installés (différents des photocellules, comme par exemple les bords sensibles), ont détecté un obstacle soudain. Éliminer l'obstacle en question.
5 clignotements - <i>pause</i> - 5 clignotements	L'automatisme ne répond pas aux commandes envoyées.	Il y a une erreur dans la configuration du système. Effectuer de nouveau l'installation.
6 clignotements - <i>pause</i> - 6 clignotements	Après une série de manœuvres commandées l'une après l'autre l'automatisme se bloque.	La limite maximum autorisée concernant le nombre de manœuvres consécutives a été dépassée ce qui a provoqué une surchauffe. Attendre quelques minutes pour permettre à la température de descendre sous la limite maximum.
7 clignotements - <i>pause</i> - 7 clignotements	L'automatisme ne répond pas aux commandes envoyées.	Il y a une panne dans les circuits électriques internes. Déconnecter tous les circuits d'alimentation ; attendre quelques secondes puis les reconnecter. Donner une nouvelle commande et si l'automatisme ne répond pas, cela veut dire qu'il y a une panne grave sur la carte électrique de la logique de commande ou sur le câblage du moteur. Effectuer les contrôles et procéder aux éventuels remplacements.
8 clignotements - <i>pause</i> - 8 clignotements	L'automatisme ne répond pas aux commandes envoyées.	Il y a une panne dans les circuits électriques du « Bus ». Vérifier le fonctionnement des dispositifs connectés, un après l'autre. Ils pourraient être en court-circuit ou ne pas fonctionner correctement.

ADVERTENCIAS Y PRECAUCIONES GENERALES DE SEGURIDAD

1º PASO

- ¡Trabajar en condiciones seguras!	4
- Advertencias para la instalación	4

CONOCIMIENTO DEL PRODUCTO Y PREPARACIÓN PARA LA INSTALACIÓN

2º PASO

2.1 - Descripción del producto y uso previsto	5
2.2 - Componentes útiles para realizar una instalación completa	5

3º PASO

Controles preliminares a la instalación

3.1 - Control de la idoneidad del entorno y de la cancela que se debe automatizar	6
3.2 - Control de los límites de empleo del producto	6

4º PASO

4.1 - Trabajos preliminares de predisposición	7
- 4.1.1 - Instalación típica de referencia	7
- 4.1.2 - Determinar la posición de los diferentes componentes	7
- 4.1.3 - Determinar el esquema con el cual conectar los dispositivos	7
- 4.1.4 - Control de las herramientas necesarias para llevar a cabo el trabajo	8
- 4.1.5 - Realizar los trabajos de predisposición	8
4.2 - Preparación de los cables eléctricos	8

INSTALACIÓN: MONTAJE Y CONEXIÓN DE LOS COMPONENTES

5º PASO

5.1 - Instalar los componentes de la automatización	10
5.2 - Regulación del fin de carrera mecánico de apertura	12

6º PASO

- Efectuar la instalación y la conexión eléctrica a la central de los dispositivos presentes en la instalación	13
6.1 - Configurar el orden de apertura de las hojas de la cancela	14
- Cómo extraer la Central de mando	15
6.2 - Instalar y conectar el motorreductor sin Central	16
6.3 - Instalar y conectar la luz intermitente mod. MF	17
6.4 - Instalar y conectar LAS FOTOCÉLULAS mod. MP	19
- Selección de la modalidad de funcionamiento del par de fotocélulas	20
6.5 - Instalar y conectar la botonera mod. MK	21
6.6 - Instalar la batería compensadora mod. MB	22

CONEXIÓN DE LA ALIMENTACIÓN

7º PASO	23
----------------	----

PRIMER ENCENDIDO Y CONTROL DE LAS CONEXIONES ELÉCTRICAS

8º PASO	23
----------------	----

PROGRAMACIÓN DE LA AUTOMATIZACIÓN

9º PASO

9.1 - Memorización de los dispositivos conectados por medio del cable "bus" y de las posiciones de fin de carrera "0" y "1" de las hojas	24
9.2 - Memorización del transmisor mod. MT4	24
9.3 - Programación de la botonera mod. MK	25

REGULACIONES Y OTRAS FUNCIONES OPCIONALES

10 - Regulación del funcionamiento de la automatización	26
11 - Memorización de un transmisor nuevo con el procedimiento "cercano" de la Central	26
12 - Cancelación de los datos de la memoria de la Central	27

OS RESERVADOS A UN TÉCNICO CUALIFICADO

- Conexión de la automatización a la red eléctrica con un cable diferente de aquel suministrado	28
- Ensayo y puesta en servicio de la automatización	29
- Eliminación del producto	29

CARACTERÍSTICAS TÉCNICAS DE LOS DIFERENTES COMPONENTES DEL PRODUCTO

	30
--	----

QUÉ HACER SI... (guía para resolver los problemas)

	32
--	----

Anexos: "DOCUMENTACIÓN TÉCNICA"

	I-VII
--	-------

1° PASO

¡TRABAJAR EN CONDICIONES SEGURAS!

⚠ Atención – Es importante respetar estas instrucciones para garantizar la seguridad de las personas.

⚠ Atención – Instrucciones importantes para la seguridad: consérvelas.

El diseño, la fabricación de los dispositivos que componen el producto y las informaciones contenidas en este manual respetan plenamente la normativa de seguridad vigente. Sin embargo, una instalación y una programación incorrectas pueden provocar heridas graves a las personas que hacen el trabajo y a aquellas que utilizarán la instalación. Por dicho motivo, durante la instalación es importante respetar escrupulosamente todas las instrucciones mencionadas en este manual.

No proceda con la instalación si tuviera alguna duda, y pida aclaraciones al Servicio de Asistencia Moovo.

Si esta fuera la primera vez que usted realiza una automatización para cancelas o portones con hojas de batiente, le aconsejamos dedicar un poco de tiempo para leer este manual. Es preferible hacerlo antes de comenzar la automatización, sin tener apuros en la realización del trabajo. Tenga al alcance de la mano todos los dispositivos que forman el producto a fin de poder leer, probar y verificar (salvo las etapas de programación) todas las informaciones contenidas en el manual.

Quando lea este manual, observe las instrucciones identificadas con el símbolo:



Estos símbolos indican argumentos que pueden ser fuentes de peligro y, por lo tanto, las operaciones **deberán ser llevadas a cabo únicamente por personal cualificado y experto**, respetando las presentes instrucciones y las normas locales de seguridad vigentes.

⚠ ADVERTENCIAS PARA LA INSTALACIÓN

Según la legislación europea más reciente, la realización de una puerta o cancela automática debe respetar las normas previstas por la Directiva 98/37/CE (Directiva de Máquinas) y, en particular, las normas EN 12445; EN 12453; EN 12635 y EN 13241-1 que permiten declarar la presunción de conformidad de la automatización.

En virtud de tal,

la conexión definitiva de la automatización a la red eléctrica, la conexión de la instalación, su puesta en servicio y el mantenimiento periódico **deben ser llevados a cabo por personal cualificado y experto**, respetando las instrucciones mencionadas en el recuadro *“Trabajos reservados a un técnico cualificado”*. Además, el técnico deberá establecer los ensayos previstos según los riesgos presentes y deberá comprobar que se respeten las leyes, normativas y reglamentos previstos, especialmente todos los requisitos de la norma EN 12445 que establece los métodos de ensayo de las automatizaciones para cancelas y puertas.

Por el contrario, los trabajos de preparación inicial, instalación y programación pueden ser llevados a cabo por personal que no sea muy experto, siempre y cuando respete, escrupulosamente y en el orden progresivo indicado, todas las instrucciones mencionadas en este manual y las advertencias del 1° PASO.

Antes de comenzar la instalación, haga los siguientes análisis y controles:

– controle que cada dispositivo destinado a la automatización sea adecuado para la instalación que se ha de realizar. A tal fin, controle detenidamente los datos indicados en el capítulo *“Características técnicas”*. No haga la instalación si incluso uno de estos dispositivos no fuera adecuado para ser utilizado.

– controle que los dispositivos presentes en el kit sean suficientes como para garantizar la seguridad de la instalación y su funcionamiento.

– analice los riesgos que también incluyen la lista de los requisitos esenciales de seguridad previstos en el *“anexo I de la Directiva de Máquinas”*, indicando las relativas soluciones adoptadas. Recuérdese que el análisis de los riesgos es uno de los documentos que forman el *“expediente técnico”* de la automatización. Dicho documento debe ser cumplimentado por un instalador profesional.

Teniendo en cuenta las situaciones de peligro que pueden generarse durante la instalación y el uso del producto, es necesario instalar la automatización observando las siguientes advertencias:

– no modifique ninguna pieza de la automatización si no está previsto en este manual. Ese tipo de operaciones puede provocar desperfectos. El fabricante no se asumirá ninguna responsabilidad por daños originados por productos modificados arbitrariamente.

– evite que los componentes de la automatización puedan quedar sumergidos en el agua o en otras sustancias líquidas. Durante la instalación, evite que entren líquidos dentro de los motorreductores y de los dispositivos.

– si sustancias líquidas penetraran dentro de las piezas de los componentes de la automatización, desconecte inmediatamente la alimentación eléctrica y contacte con el Servicio de Asistencia Moovo. Utilizar la automatización en dichas condiciones podría ser muy peligroso.

– no coloque los componentes de la automatización cerca de fuentes de calor ni los exponga a las llamas. Esto podría averiarlas y provocar desperfectos de funcionamiento, incendios o situaciones peligrosas.

– todas las operaciones en las que haya que abrir la cubierta de protección de los diferentes componentes de la automatización deberán hacerse con la Central desconectada de la alimentación eléctrica. Si el dispositivo de desconexión no estuviera a la vista, aplique un cartel que indique: *“¡ATENCIÓN! MANTENIMIENTO EJECUTÁNDOSE”*.

– el producto no puede ser considerado un sistema de protección eficaz contra la intrusión. Si desea obtener una protección eficaz, habrá que integrar la automatización con otros dispositivos.

– conecte la Central a una línea de alimentación eléctrica dotada de puesta a tierra de seguridad.

– el producto puede ser utilizado únicamente después de haber hecho la *“puesta en servicio”* de la automatización, tal como previsto en el párrafo *“Ensayo y puesta en servicio de la automatización”* indicado en el recuadro *“Trabajos reservados a un técnico cualificado”*.

– El material de embalaje de todos los componentes de la automatización deben eliminarse respetando la normativa local vigente.

2º PASO

2.1 – DESCRIPCIÓN DEL PRODUCTO Y USO ADECUADO

El grupo de los dispositivos que componen este producto sirve para automatizar una cancela o un portón de dos hojas (fig. 1a). También es posible automatizar cancelas o portones con una sola hoja (fig. 1b).

¡Cualquier otro empleo diferente de aquel descrito y en condiciones ambientales diferentes de aquellas indicadas en el 3º PASO, debe ser considerado inadecuado y está prohibido!

La parte principal de la automatización está formada de dos motorreductores electromecánicos que incorporan, cada uno, un motor de corriente continua de 12V y un reductor con engranajes de dientes rectos. Uno de los motorreductores también incorpora una Central de mando.

La Central gobierna y alimenta todos los dispositivos presentes en la automatización, gestionando sus funcionamientos. Está formada de una tarjeta y un receptor incorporado que recibe los mandos enviados desde un transmisor. También puede ser accionada desde una botonera de pared o desde un par de fotocélulas programadas con el mando de Apertura solo.

La Central logra gobernar diferentes tipos de movimientos, cada uno de los cuales puede utilizarse y programarse según las exigencias.

También hay disponibles varias funciones especiales que permiten personalizar los parámetros de la automatización.

La automatización está predispuesta para utilizar varios accesorios que aumenten la funcionalidad y garanticen la seguridad. En particular, la Central puede memorizar hasta 150 botones de transmisores MT4; hasta 4 botoneras de mando MK o, como alternativa, hasta 4 pares de fotocélulas MP, configuradas con el mando de apertura solo.

Los diferentes dispositivos se conectan utilizando el sistema "Bus". Este sistema facilita la conexión entre los dispositivos, porque se utiliza un solo cable entre un dispositivo y otro.

El producto funciona con la alimentación eléctrica de red y, si se cortara la energía eléctrica, permite desbloquear manualmente los motorreductores y mover a mano las hojas de la cancela.

También es posible abrir la cancela utilizando la batería compensadora (modelo MB), si estuviera presente en la instalación.

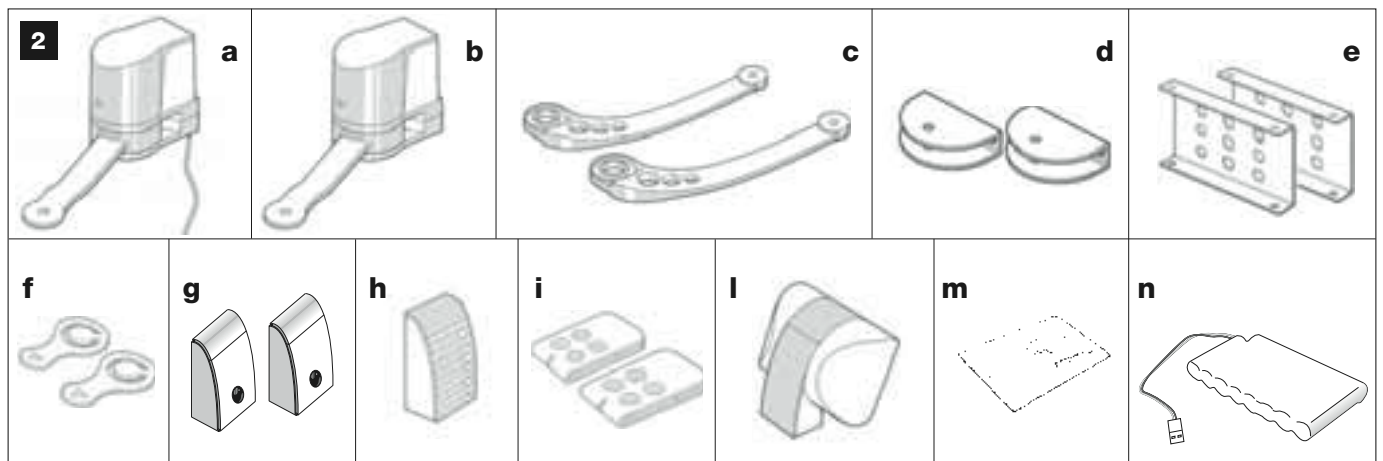
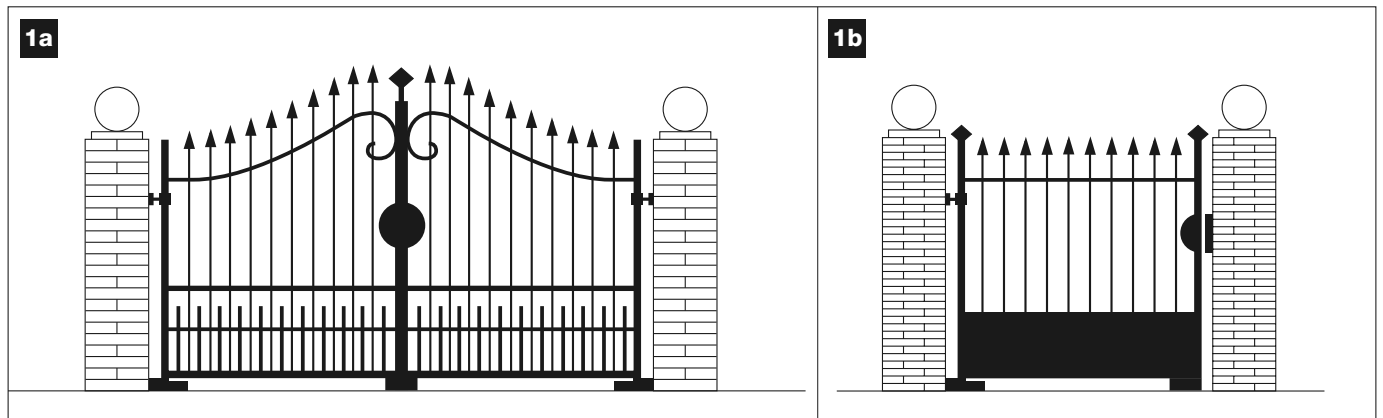
2.2 – COMPONENTES ÚTILES PARA REALIZAR UNA INSTALACIÓN COMPLETA

En la fig. 2 se muestran todos los componentes útiles para realizar una instalación completa como aquella que se ve en la fig. 8.

¡ADVERTENCIAS!
Algunos componentes indicados en la fig. 2 son opcionales y podrían no estar presentes en el paquete.

Lista de los componentes útiles:

- [a] - motorreductor electromecánico con Central
- [b] - motorreductor electromecánico sin Central
- [c] - brazos curvos
- [d] - estribos delanteros (para fijar los motorreductores a la cancela)
- [e] - soportes traseros (para fijar los motorreductores a la pared)
- [f] - llaves para el desbloqueo manual de los motorreductores
- [g] - par de fotocélulas mod. MP (de pared)
- [h] - botonera de mando mod. MK (de pared)
- [i] - transmisor portátil mod. MT4
- [l] - luz intermitente mod. MF
- [m] - herrajes metálicos (tornillos, arandelas, etc.)
- [n] - batería compensadora mod. MB



3º PASO

CONTROLES PRELIMINARES A LA INSTALACIÓN

Antes de proceder con la instalación, controle que los componentes del producto estén íntegros, que el modelo corresponda con el pedido y que sea idóneo para el entorno en el cual debe ser instalado.

IMPORTANTE – Los motorreductores no pueden automatizar una cancela que no sea eficiente y segura. Tampoco podrán resolver los defectos causados por una instalación incorrecta, o por un mantenimiento defectuoso de la misma cancela.

3.1 – CONTROL DE LA IDONEIDAD DEL ENTORNO Y DE LA CANCELAS QUE SE DEBE AUTOMATIZAR

- Controle que la estructura mecánica de la cancela sea adecuada para ser motorizada y que sea conforme con las normas locales vigentes (*de ser necesario, consulte los datos indicados en la etiqueta de la cancela*).
- *Abriendo y cerrando* manualmente las hojas de la cancela, controle que el movimiento tenga la misma fricción constante en toda su carrera (*no deben existir puntos con diferentes esfuerzos*).
- Coloque manualmente las hojas en cualquier posición y déjelas detenidas, controlando que no se muevan.
- Controle que en el lugar donde se fijará el motorreductor haya un espacio suficiente para el movimiento de rotación del brazo (**fig. 7**).
- Controle que el espacio alrededor de los motorreductores permita desbloquear manualmente las hojas de manera fácil y segura.
- Controle que las superficies de instalación de los dispositivos sean firmes y garanticen una fijación segura.
- Controle que cada dispositivo que deba instalar quede colocado en una posición segura y protegida de golpes accidentales.
- Controle que las superficies de fijación de las fotocélulas estén en plano y permitan alinear perfectamente ambas fotocélulas entre sí.

3.2 – CONTROL DE LOS LÍMITES DE EMPLEO DEL PRODUCTO

Los motorreductores deben ser instalados fijando su soporte trasero en la pared (o en el pilar) de la cancela y el estribo, que sostiene el brazo, sobre la hoja de la cancela.

Para establecer la idoneidad del producto sobre la peculiaridad de la cancela y el contexto específico a automatizar, lleve a cabo los siguientes controles, comprobando la conformidad con los datos técnicos mencionados en este párrafo y con los datos técnicos del capítulo "Características técnicas del producto".

1 – Controle que el peso y las dimensiones de cada hoja se encuentren dentro de los siguientes límites (a tal fin, consulte el **gráfico 1**):

- anchura máxima 1,80 m;
- altura máxima 2 m;
- peso máximo 250 kg.

2 – Controle que la temperatura mínima y máxima del lugar de instalación esté dentro de los límites de temperatura predeterminados para el funcionamiento de este producto. Consulte los datos técnicos del capítulo "Características técnicas del producto".

3 – Considerando la dirección de llegada de la línea eléctrica (si ya estuviera lista) destinada a alimentar la instalación, establezca la hoja de la cancela en la que se deberá fijar el motorreductor con la Central.

4 – Tomando como referencia las cotas indicadas en las **figs. 3-4-5-6-7** y las siguientes notas, controle en cada hoja y en la pared (o pilar) adyacente, que haya espacio suficiente para colocar el motorreductor.

a) Fig. 3: indica las medidas totales del motorreductor.

b) Fig. 4: indica el espacio en sentido horizontal, dentro del cual se deberá colocar el soporte trasero del motorreductor. La cota exacta en que colocar este soporte debe calcularse tomando como referencia el punto 02 del 5º PASO.

c) Fig. 5: indica la medida máxima "B" necesaria entre el punto de rotación de la hoja y la superficie de la pared sobre la que se fijará el soporte trasero del motorreductor.

d) Fig. 5: indica el espacio en sentido vertical, dentro del cual se deberá colocar el motorreductor. La medida "D" indica la cota mínima desde el suelo (se aconseja una medida mínima de 200 mm del suelo). La medida "C" (cota máxima desde el suelo) depende de la altura de la hoja.

e) Fig. 6: indica la medida mínima "E" (400 mm) necesaria entre el brazo del motorreductor y un obstáculo presente (pared, arriate, etc.) cuando la hoja está abierta completamente. **Nota** – Dicha medida deberá medirse comenzando de la línea de centro del motorreductor.

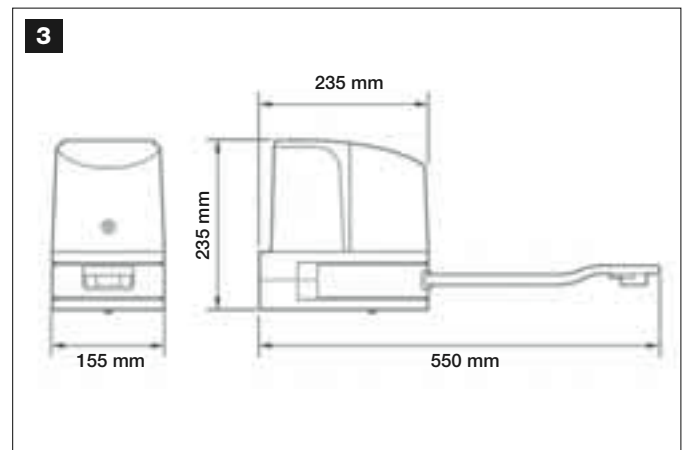
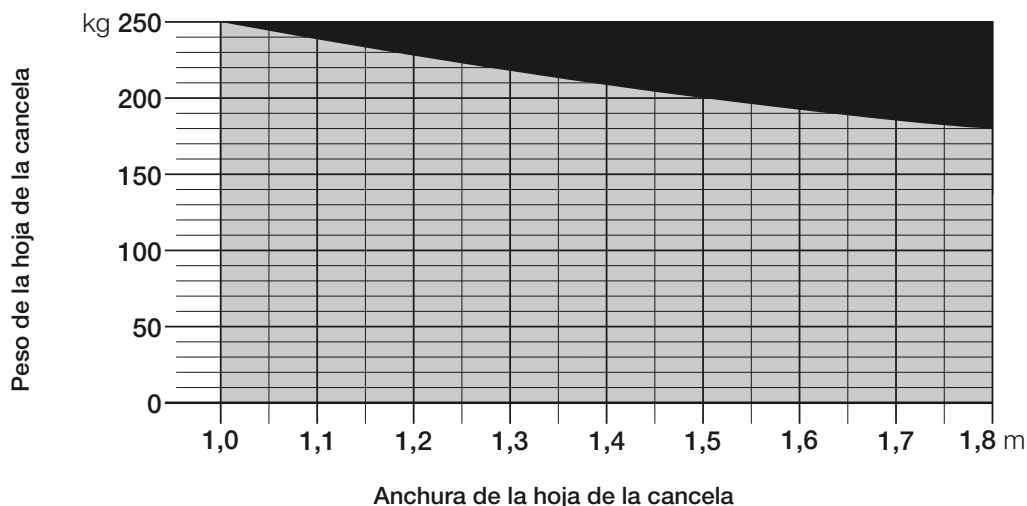
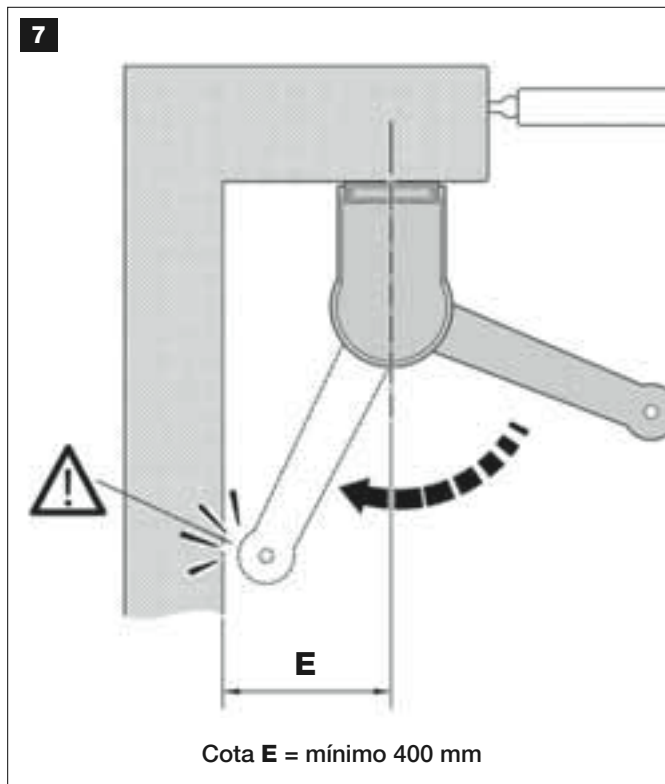
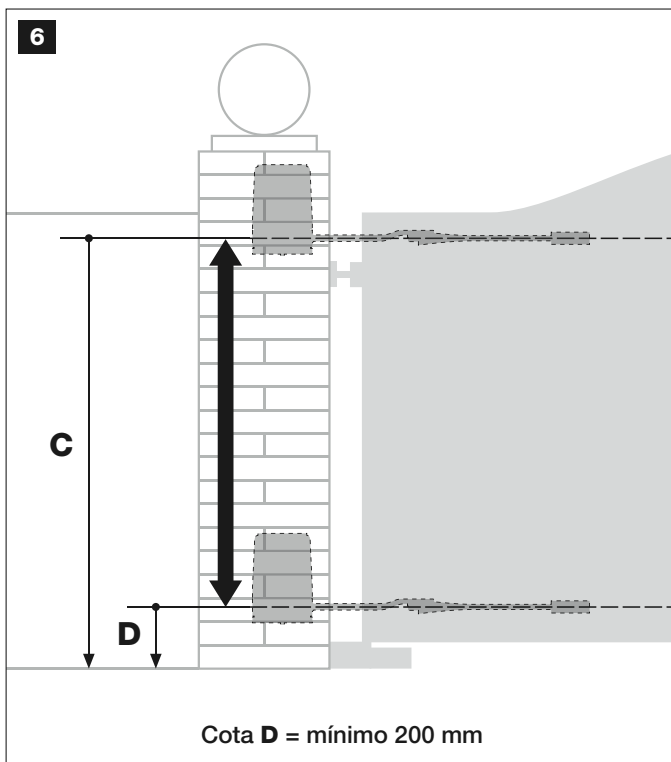
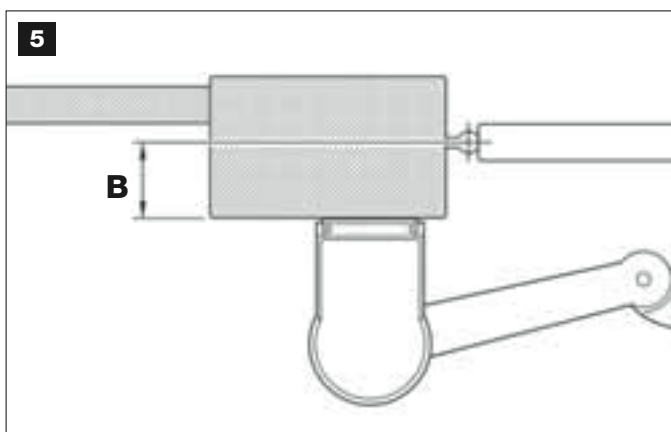
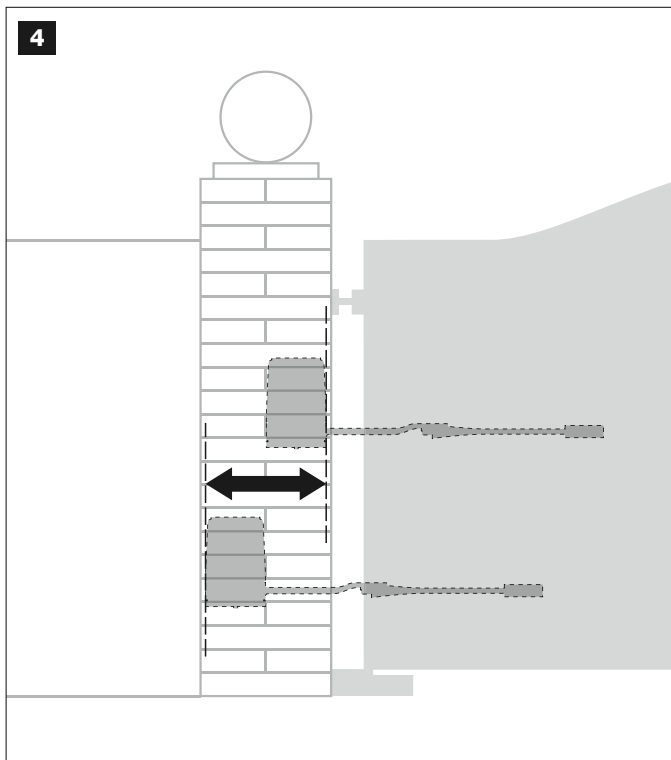


GRÁFICO 1





4° PASO

4.1 – TRABAJOS PRELIMINARES DE PREDISPOSICIÓN

4.1.1 – Instalación típica de referencia

La **fig. 8** muestra un ejemplo de instalación de automatización realizada con los componentes **Moovo**. Dichos componentes están colocados y ensamblados según un esquema típico y habitual. Los componentes utilizados son los siguientes:

- a** - Motorreductor electromecánico con Central
- b** - Motorreductor electromecánico sin Central
- c** - Soportes traseros (de pared)
- d** - Estribos delanteros (en la hoja)
- e** - Par de fotocélulas (de pared)
- f** - Luz intermitente
- g** - Botonera de mando (en la pared)
- h** - Par de columnas para fotocélulas
- i** - Topes de fin de carrera de Apertura (*Nota – como alternativa, el movimiento de la hoja puede finalizar contra un tope natural – pared, arriate, etc. – o utilizar el fin de carrera mecánico presente en el motorreductor*)
- l** - Topes de fin de carrera de Cierre

4.1.2 – Determinar la posición de los diferentes componentes

Tomando como referencia la **fig. 8**, determine la posición aproximada donde se instalará cada componentes previsto en la instalación

4.1.3 – Determinar el esquema con el cual conectar los dispositivos

El producto prevé una conexión tipo “Bus” entre todos los dispositivos incorporados en la instalación, por medio de un único cable con dos hilos eléctricos internos. En este tipo de conexión, la comunicación de los datos entre los dispositivos se hace por medio de un cable, utilizando un protocolo específico denominado “**Bus-Moovo**”. **¡Atención!** – en la instalación se pueden montar sólo los dispositivos que soportan este protocolo.

En el interior de una red “Bus” los dispositivos se pueden conectar utilizando varios esquemas de conexión; en cada esquema cada dispositivo se convierte en un nudo de dicha red. Los esquemas de conexión son los siguientes:

– “**en estrella**”: en este esquema cada dispositivo es autónomo porque está conectado directamente a los 2 bornes del “Bus” incorporado en la Central.

– “**en cadena**”: en este esquema un dispositivo está conectado a otro y este último a otro, tal como los eslabones de una cadena. Por lo tanto, únicamente el primer dispositivo de la cadena está conectado a los 2 bornes del “Bus” incorporado en la Central.

– “**mixto**”: este esquema es una mezcla de los dos esquemas antedichos.

Para establecer el esquema de conexión más adecuado para la conexión de todos los dispositivos previstos en la instalación, tome como referencia el ejemplo indicado en las **fig. 9 / fig. 26**. Por lo general, como primer dispositivo se aconseja conectar directamente a la Central la luz intermitente.

4.1.4 – Control de las herramientas necesarias para llevar a cabo el trabajo

Antes de instalar el producto, asegúrese de tener a disposición todas las herramientas y los materiales necesarios para hacer el trabajo (véase el ejemplo en la **fig. 10**); además, controle que dichos materiales estén en buenas condiciones y que respeten las normativas de seguridad locales.

4.1.5 – Realizar los trabajos de predisposición

Por último, realice las rozas para los tubos de los cables eléctricos o, como alternativa, aplique canaletas exteriores; posteriormente, fije en el hormigón dichos tubos y realice las demás operaciones útiles para predisponer el entorno a las operaciones de instalación siguientes.

ADVERTENCIAS:

- Prevea el montaje del motorreductor con la Central cerca del punto donde se encuentra la alimentación eléctrica, si ya estuviera presente.
- Coloque los extremos de los tubos por donde pasarán los cables eléctricos en proximidad de los puntos donde esté prevista la fijación de los componentes.

Notas:

- Los tubos tienen la finalidad de proteger los cables eléctricos y evitar roturas accidentales, por ejemplo en caso de golpes.
- Los dispositivos de mando “fijos” deben colocarse a la vista de la cancela pero lejos de sus partes móviles.

4.2 – PREPARACIÓN DE LOS CABLES ELÉCTRICOS

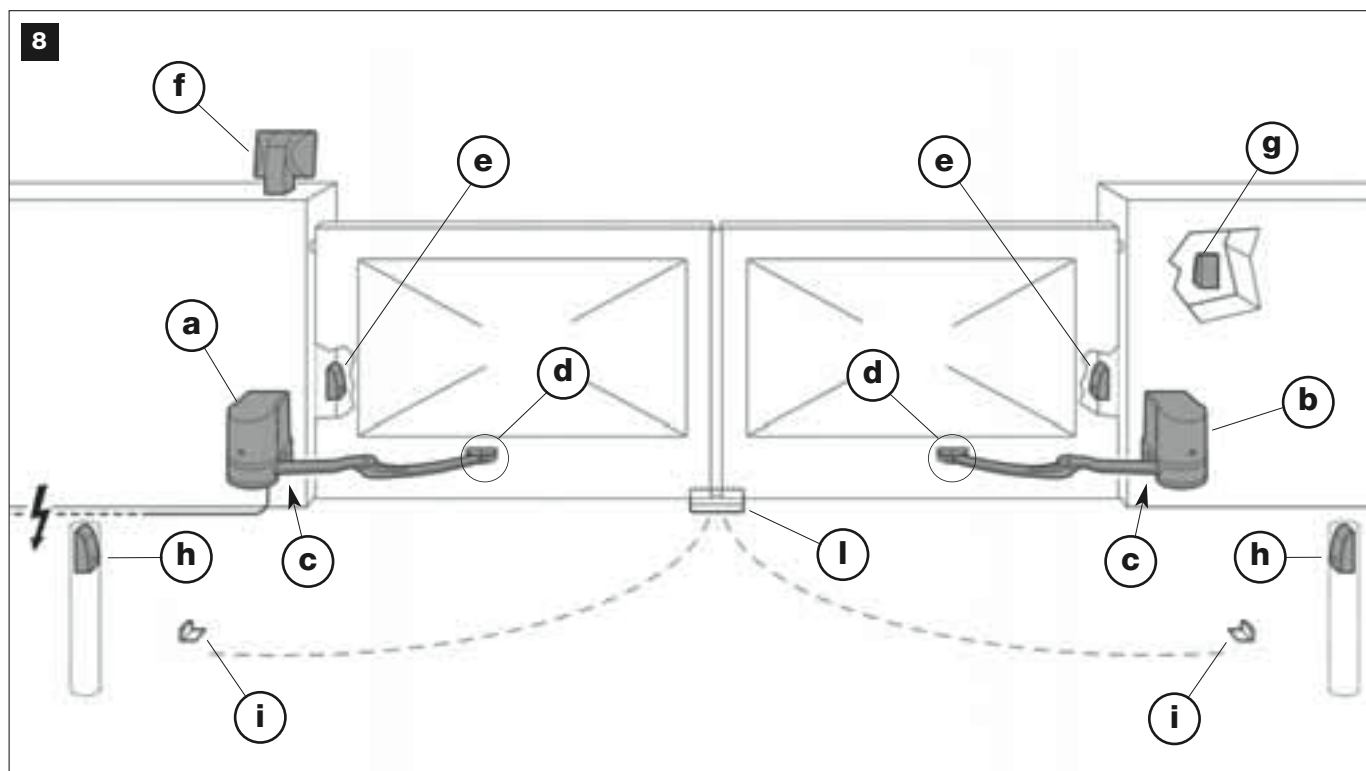
Para preparar los cables eléctricos necesarios para la instalación, consulte la **fig. 9** y la “**Tabla 1 – Características técnicas de los cables eléctricos**”. También respete las siguientes advertencias:

– En la configuración “**en estrella**”, el cable que conecta un dispositivo a la Central **NO debe medir más de 20 m**.

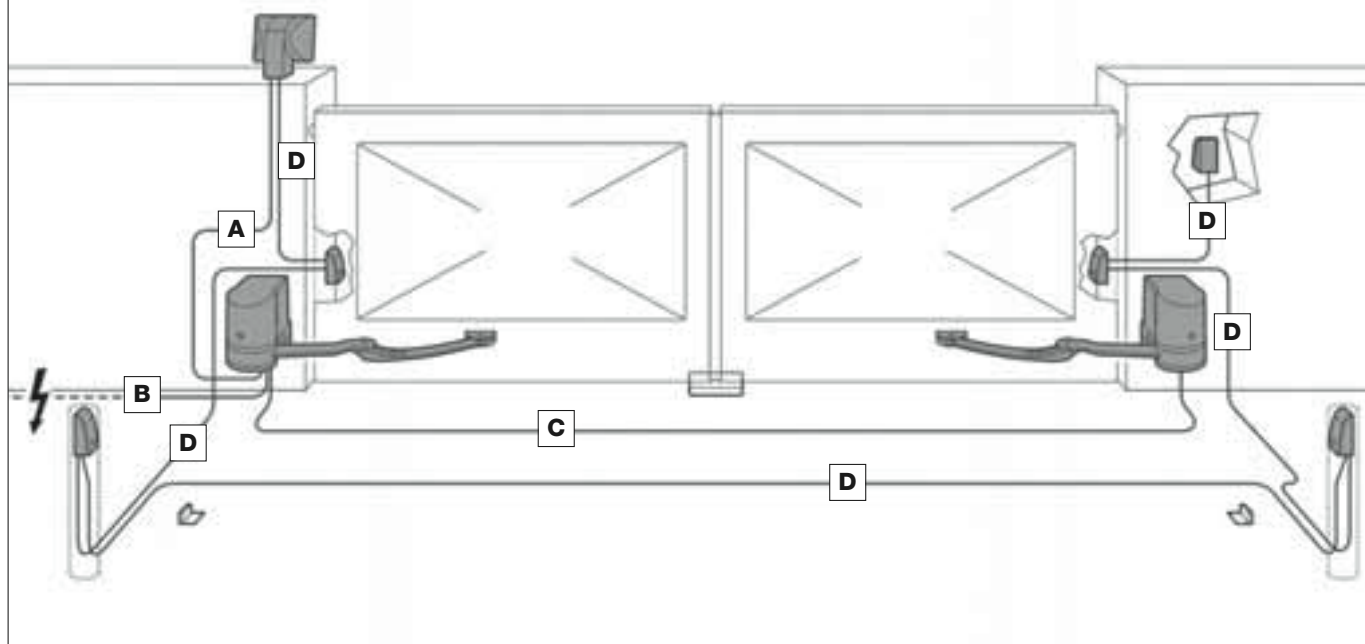
– En la configuración “**en cadena**”, la suma de la longitud de cada cable utilizado para conectar un dispositivo a otro, y por último a la Central, **NO debe superar 20 m**.

– Si entre la Central y la luz intermitente hay algún dispositivo conectado, para dichos dispositivos utilice el mismo cable utilizado para la luz intermitente.

– El tendido de los cables eléctricos y la conexión a los diferentes dispositivos son operaciones que deben ser llevadas a cabo durante la instalación de los componentes.



9



10



TABLA 1 – Características técnicas de los cables eléctricos (nota 1)

Conexión	Tipo de cable	Longitud máx. admitida
A - Cable LUZ INTERMITENTE	Cable 2 x 1,0 mm ²	10 m (lea el párrafo 4.2)
B - Cable ALIMENTACIÓN	Cable 3 x 1,5 mm ² (nota 2)	30 m
C - Cable MOTOR	Cable 3 x 1,5 mm ²	10 m
D - Cable BUS	Cable 2 x 0,5 mm ²	20 m (lea el párrafo 4.2)

Nota 1 – Los cables necesarios para armar el sistema (no incluidos en el paquete) pueden variar según la cantidad y el tipo de los componentes previstos en el sistema.

Nota 2 – Si el cable de alimentación suministrado no es bastante largo, reemplázelo con un cable de este tipo. El trabajo debe ser llevado a cabo por personal experto y cualificado: véase el recuadro “**Trabajos reservados al técnico cualificado**”.

¡ATENCIÓN! - Los cables utilizados deben ser adecuados para el tipo de entorno donde se lleva a cabo la instalación; por ejemplo, se aconseja un cable tipo H07RN-F para la instalación en exteriores.

5° PASO

5.1 – INSTALAR LOS COMPONENTES DE LA AUTOMATIZACIÓN

ADVERTENCIAS

- Una instalación incorrecta puede provocar heridas graves a la persona que haga el trabajo y a las personas que utilice la instalación.
- Antes de comenzar a ensamblar la automatización, lleve a cabo los controles preliminares descritos en el 3° PASO.

¡IMPORTANTE! – Las siguientes etapas de montaje (PASO 5) ilustran la instalación “física” de un solo motorreductor. Si la cancela que se debe automatizar es de dos hojas, repita las mismas operaciones para instalar el otro motorreductor. En particular, para instalar el motorreductor con la Central, consulte el 6° PASO para establecer en qué hoja de la cancela debe colocarse.

Fijación en la pared del estribo trasero del motorreductor

Para fijar en la pared o en el pilar de la cancela el estribo trasero del motorreductor, establezca su posición en sentido vertical y en sentido horizontal de la siguiente manera:

– **Posición en sentido vertical (fig. 5):** siga las indicaciones generales mencionadas en el 3° PASO y en la fig. 5; posteriormente, una vez determinada la posición, trace con un lápiz una línea horizontal sobre la pared (o sobre el pilar).

– **Posición en sentido horizontal (fig. 4):** para colocar el motorreductor en sentido horizontal siga el Gráfico 2 y proceda de la siguiente manera:

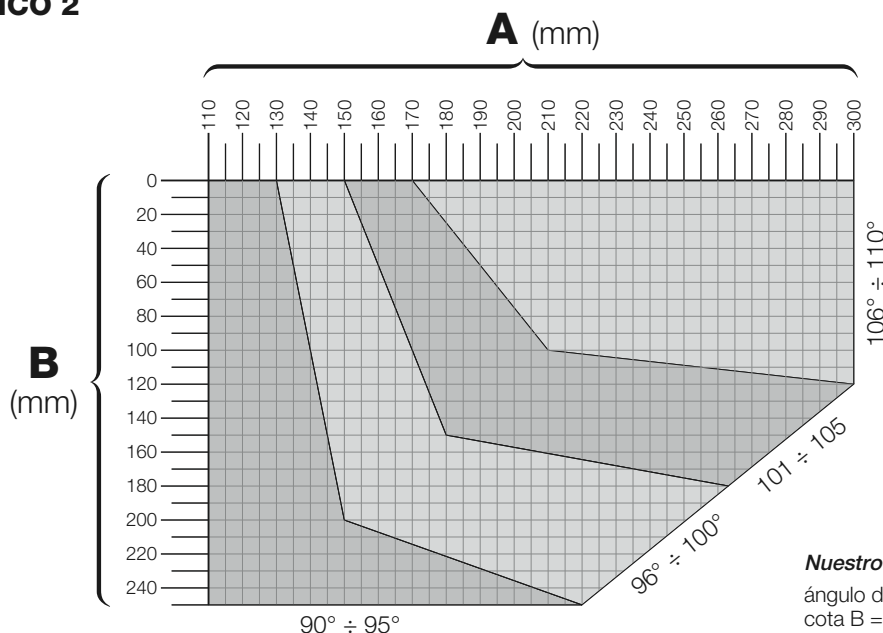
1. **Determine el ángulo de apertura máxima de la hoja:** coloque la hoja de la cancela en la posición de apertura máxima deseada (observe la advertencia 4-d del PASO 3.2) y mida los grados del ángulo de apertura de la hoja utilizando la figura del goniómetro que se encuentra en la última página del manual. Localice y destaque en el Gráfico 2 la zona de color gris correspondiente al ángulo.
2. **Determine la cota B y la cota A:** Tomando como referencia la fig. 11, mida la cota B. Dicha cota es la distancia que deberá haber entre el eje de rotación de la hoja de la cancela y la superficie en donde se fijará el estribo trasero. Destaque en el gráfico la cota B y trace, a partir de ésta, una línea horizontal hasta intersecar la zona del ángulo encontrado en el punto anterior. En esta zona, la línea trazada determina 2 puntos; por consiguiente, a partir de cada uno de dichos puntos, trace una línea vertical hacia arriba hasta intersecar la recta de las cotas A. La zona determinada

por estas líneas indica la **cota A**, es decir las posibles medidas que pueden utilizarse para fijar el estribo trasero.

3. Entonces, marque en la pared (o en el pilar) la cota encontrada y trace una línea vertical que pase por este punto. Posteriormente, tomando como referencia las líneas marcadas en la pared, coloque el estribo trasero sobre la superficie en la posición prevista y trace con un lápiz los puntos de taladrado.
4. Taladre la pared con un taladro, introduzca los tacos (mínimo 8 mm; no suministrados) y fije el soporte utilizando tornillos y arandelas adecuadas (fig. 12). **Importante** – Controle que el estribo esté perfectamente nivelado; un motorreductor descentrado puede hacer que la automatización funcione mal (figs. 13 y 14).
Nota – Los tornillos necesarios para la fijación del estribo en la pared no están incluidos en el paquete porque el tipo de tornillo depende del material y del espesor de la pared en la que deberán colocarse.
5. Quite el fin de carrera mecánico colocado en la parte inferior del motorreductor; con una llave de 13 mm (fig. 15) afloje y desenrosque la tuerca de seguridad del tornillo del fin de carrera mecánico.
6. Introduzca la parte trasera del motorreductor en el espacio respectivo del estribo de fijación, teniendo cuidado en hacer coincidir los agujeros presentes en el motor con aquellos del estribo (fig. 16).
7. Sujete el motorreductor con una mano y con la otra introduzca en los agujeros los dos tornillos suministrados. **Nota** – Si los tornillos no entraran fácilmente, utilice un martillo y un destornillador para introducirlos completamente (véase la fig. 17). Posteriormente, fije los tornillos con las tuercas, utilizando una llave allen para bloquear la cabeza del tornillo y un destornillador (de 10 mm), con dimensión exterior que no supere 14,5 mm, para enroscar la tuerca.
8. Entonces, fije el brazo curvo al motorreductor. **¡IMPORTANTE!** – El brazo debe colocarse con la curva dirigida hacia la hoja de la cancela. Por consiguiente, introduzca la cabeza de la “extensión” del motorreductor en el agujero del brazo curvo y fije todo con el tornillo, la arandela y la tuerca suministrados (fig. 18).
9. Para fijar el estribo a la hoja de la cancela, proceda de la siguiente manera:

- a) Introduzca el estribo al extremo del brazo curvo haciendo coincidir los agujeros e introduzca el perno suministrado (sin el anillo de sujeción benzeng - fig. 19).
- b) Desbloquee el motorreductor con la llave correspondiente (tome como referencia el capítulo “Bloquear o Desbloquear manualmente el motorreductor” presente en el “Manual de uso”).
- c) Coloque la hoja de la cancela en la posición de Cierre máximo deseada y extienda el brazo hasta el máximo (fig. 20). Posteriormente, acerque el brazo a la hoja hasta que el estribo de fijación coincida completamente con ésta.
- d) Entonces, trace con un lápiz los puntos de taladrado y perforo la hoja con un taladro.

GRÁFICO 2



Nuestro ejemplo:

ángulo de apertura máxima de la hoja = 98°;
cota B = 120 mm; la cota A se puede utilizar desde 142 mm a 174 mm.

Nota – Los tornillos necesarios para la fijación del estribo en la hoja de la cancela no están incluidos en el paquete porque el tipo de tornillo depende del material y del espesor de la cancela o del portón en el que deberán colocarse.

10. Separe el estribo del brazo del motorreductor y fíjelo a la hoja de la cancela. **Importante** – Controle que el estribo esté perfectamente nivelado.

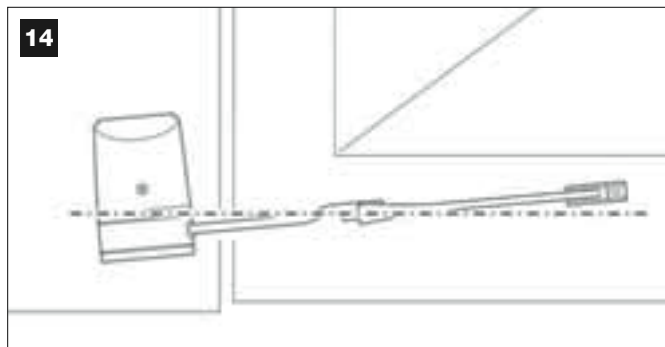
11. Fije el brazo del motorreductor al estribo, introduciendo el perno y el anillo de sujeción benzing suministrados.

12. **¡ATENCIÓN!** – Si en el lugar de instalación no hubiera topes mecánicos colocados en el suelo, consulte el PASO 5.2.

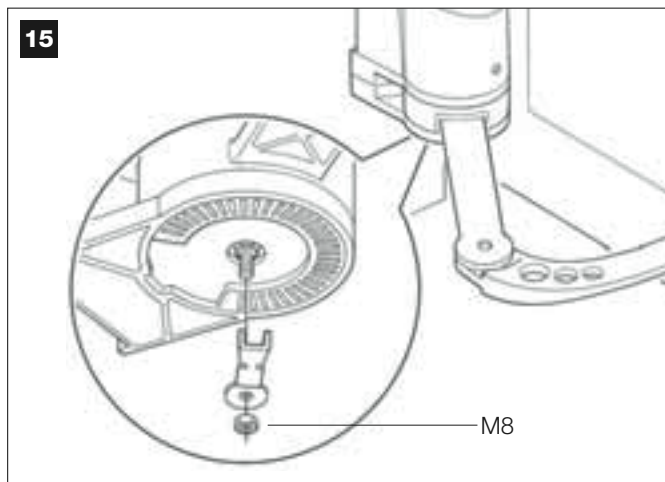
13. Por último, siempre con el motorreductor desbloqueado, coloque manualmente las dos hojas de la cancela en la posición indicada en la fig. 21 y bloquee el motorreductor con la llave respectiva (consulte el capítulo “Bloquear o Desbloquear manualmente el motorreductor” presente en la sección “DOCUMENTACIÓN TÉCNICA”). Desplace, con un ligero movimiento, la hoja de la cancela pocos centímetros hacia la dirección de *Apertura* máxima hasta oír un clic.

14. Si la cancela que se debe automatizar es de dos hojas, repita las mismas operaciones descritas en el 5º PASO para instalar el otro motorreductor.

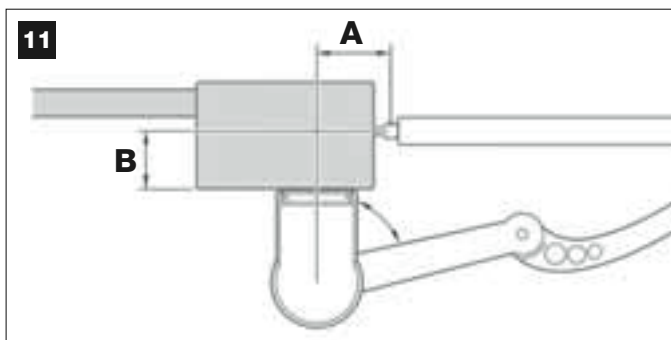
14



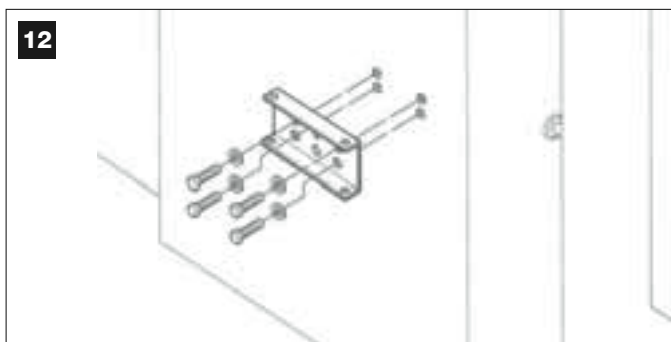
15



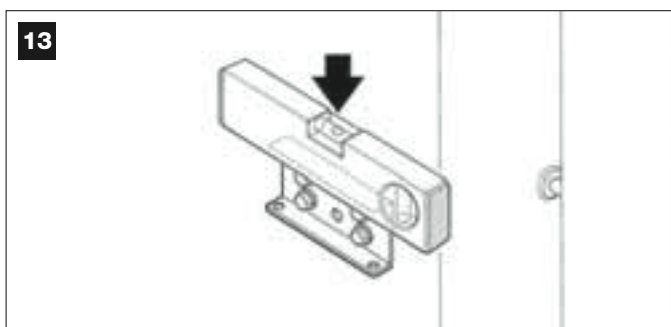
11



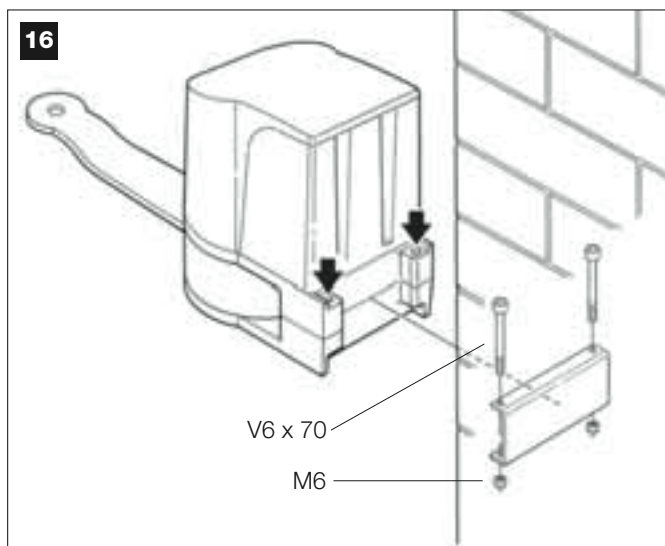
12



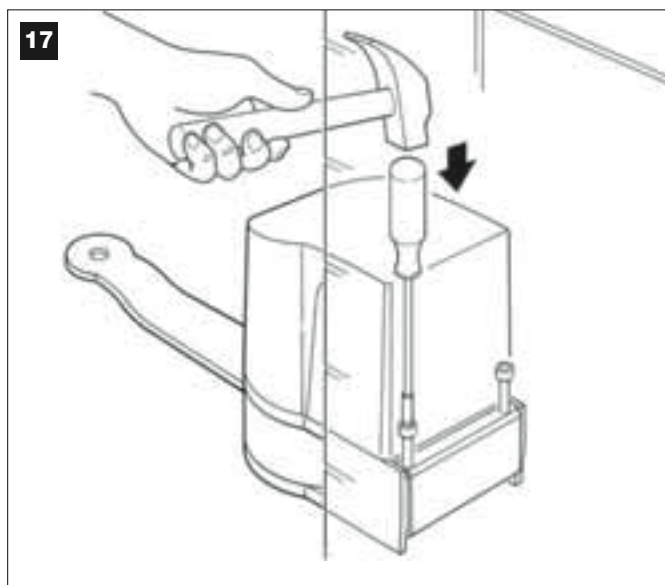
13

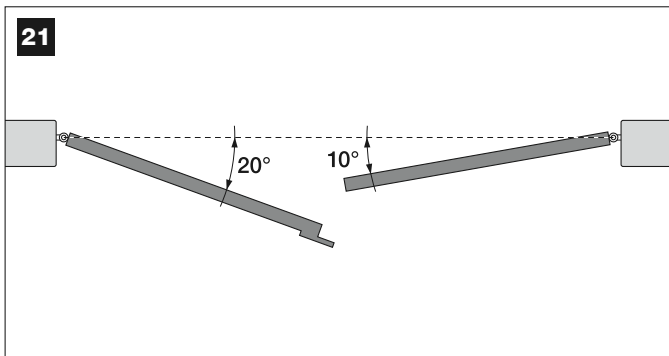
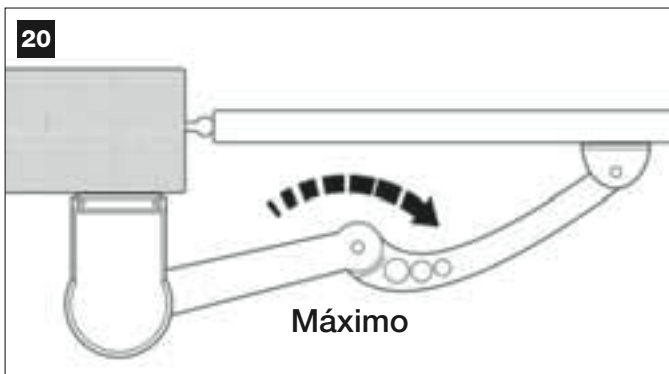
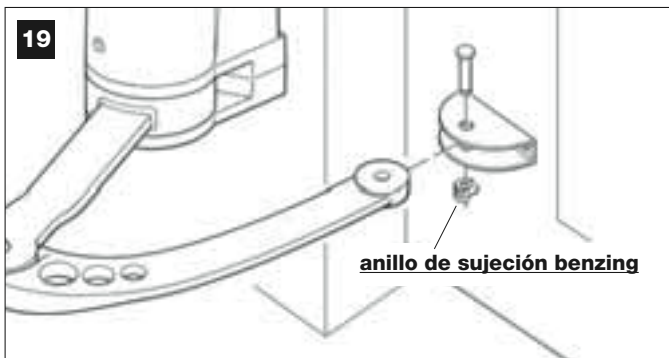
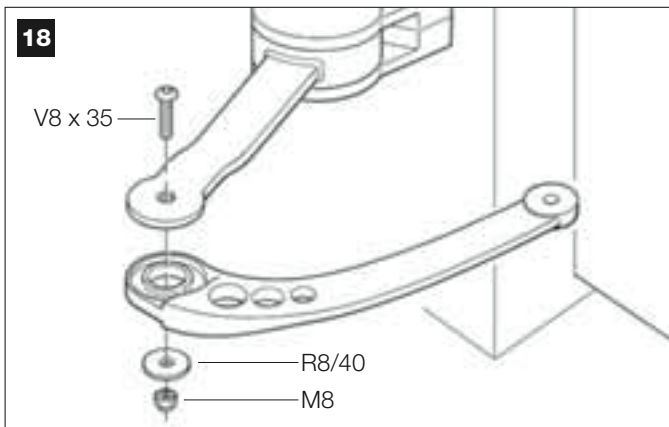


16



17





5.2 – REGULACIÓN DEL FIN DE CARRERA MECÁNICO DE APERTURA

Si en el lugar de instalación no hubiera topes mecánicos en el suelo para detener las hojas de la cancela al final del movimiento de *Apertura*, habrá que regular el fin de carrera mecánico en la parte inferior de cada motorreductor de la siguiente manera:

01. Con el motorreductor desbloqueado, coloque manualmente la hoja en la posición de *Apertura*.
02. Localice el punto de medio (eje) del brazo del motorreductor y señálelo con un poco de cinta adhesiva colocada en la parte fija del motorreductor, sobre el brazo (fig. 22).
03. Entonces, cierre la hoja de la cancela.

04. Para que la fijación del fin de carrera mecánico sea más fácil, se aconseja añadir un poco de cinta adhesiva hasta llegar a la base del motorreductor, tal como se muestra en la fig. 23.

05. Coloque el fin de carrera mecánico de la siguiente manera: si se está trabajando en el motorreductor que mueve la hoja izquierda, el fin de carrera mecánico deberá fijarse a la izquierda de la cinta adhesiva; por el contrario, si se está trabajando sobre el motorreductor derecho, el fin de carrera mecánico deberá fijarse a la derecha de la cinta adhesiva (fig. 24). Posteriormente, fíjelo con la tuerca de seguridad (fig. 25).

06. Entonces, moviendo manualmente la hoja de la cancela, controle que ésta se detenga exactamente en la posición de *Apertura* máxima deseada. Si así no fuera, desplace el fin de carrera mecánico uno o dos "dientes" y controle nuevamente la posición de *Apertura* máxima.

07. Por último, siempre con el motorreductor desbloqueado, coloque manualmente la hoja de la cancela en la mitad de su carrera y bloquee el motorreductor con la llave respectiva (consulte el capítulo "Bloquear o Desbloquear manualmente el motorreductor" presente en el Manual de uso). Desplace, con un ligero movimiento, la hoja de la cancela pocos centímetros hacia la dirección de apertura máxima hasta oír un clic.



6° PASO

HACER LA INSTALACIÓN Y LA CONEXIÓN ELÉCTRICA DE LOS DISPOSITIVOS PRESENTES EN LA INSTALACIÓN

Installare e collegare i dispositivi previsti nell'impianto, facendo riferimento ai PASSI successivi e all'esempio di **fig. 26**.

Instale y conecte los dispositivos previstos en la instalación, tomando como referencia los siguientes PASOS y el ejemplo de la **fig. 26**.

¡ATENCIÓN! – Una conexión incorrecta podría provocar averías o situaciones peligrosas; por consiguiente, respete escrupulosamente las conexiones indicadas.

Para acceder a la Central de mando, quite la tapa del motorreductor con la Central, siguiendo estos pasos (véase la figura de al lado).

- Desenrosque el tornillo colocado en la parte superior de la tapa, utilizando un destornillador en estrella.
- Coloque dos dedos sobre las dos cavidades presentes en la parte trasera del motorreductor y levante la tapa tirándola hacia arriba, haciendo palanca sobre la base sobre la que está apoyado este último.



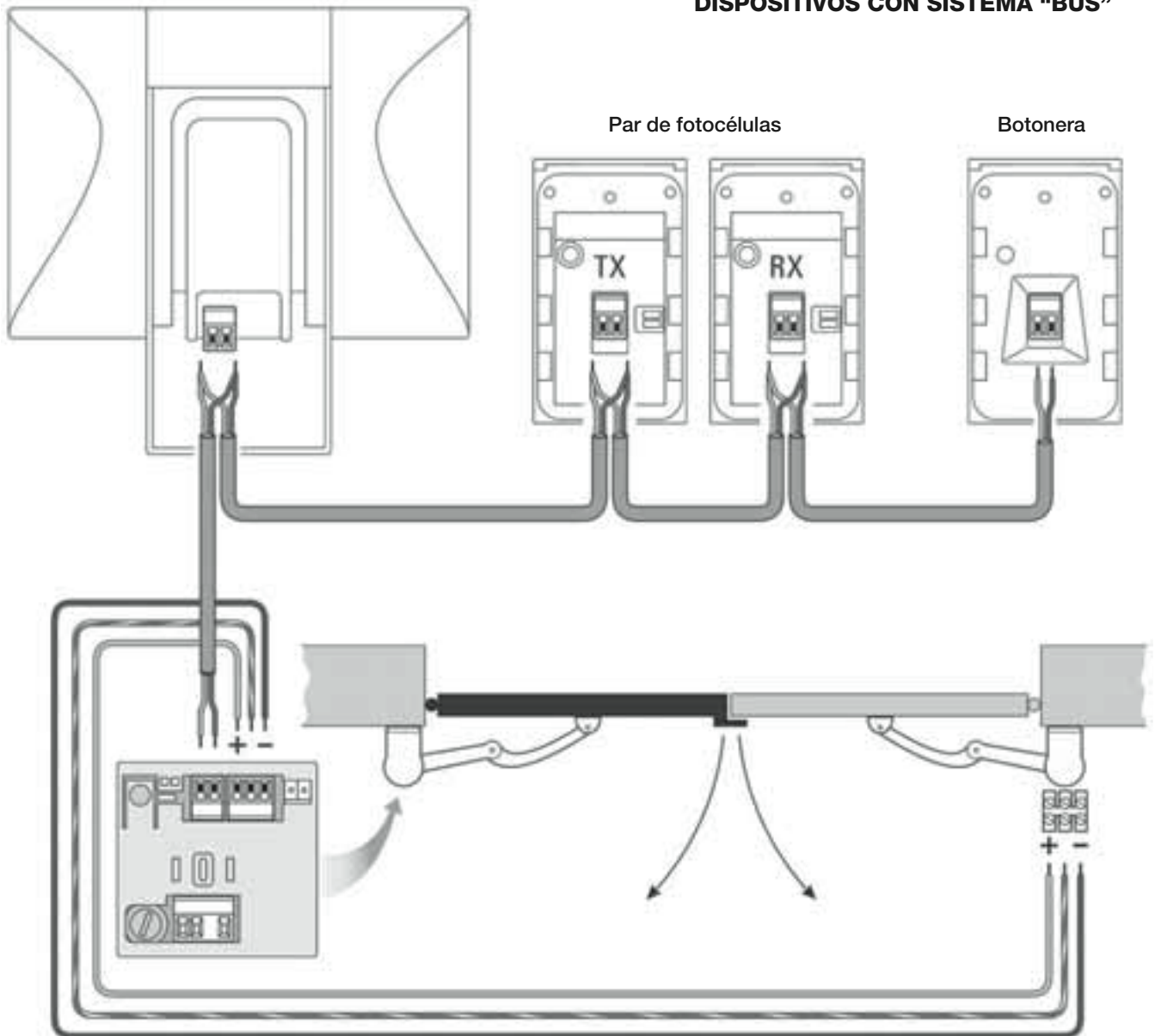
26

Luz intermitente

ESQUEMA DE CONEXIÓN DE LOS DISPOSITIVOS CON SISTEMA "BUS"

Par de fotocélulas

Botonera



6.1 – REGULAR EL ORDEN DE APERTURA DE LAS HOJAS DE LA CANCELADA

Para regular correctamente en la **Central de mando** el orden con el que se deben abrir las hojas de la cancelada, identifique entre las siguientes configuraciones aquella que corresponde a su instalación y proceda tal como indicado.
Para hacer las operaciones indicadas, podría ser útil desmontar la Central de su alojamiento, siguiendo los pasos del recuadro “**Cómo extraer la Central de mando del motorreductor**”.

Caso A: no hay que hacer ninguna modificación.



Caso B: (en la Central) es necesario llevar a cabo las siguientes operaciones:

- localice el puente de conexión eléctrico “Sel” y desplácelo de su posición original, indicada en la **fig. 27**, hacia la posición indicada en la **fig. 28**.
- invierta la posición de los hilos en la regleta identificada con “Motor 2” (**fig. 29**).
- invierta la posición de los hilos en la regleta identificada con “Motor 1” (**fig. 30**).



Caso C:

- (en la Central) localice el puente de conexión eléctrico “Sel” y desplácelo de su posición original, indicada en la **fig. 27**, hacia la posición indicada en la **fig. 28**.



Caso D: (en la Central) es necesario llevar a cabo las siguientes operaciones:

- invierta la posición de los hilos en la regleta identificada con “Motor 2” (**fig. 29**).
- invierta la posición de los hilos en la regleta identificada con “Motor 1” (**fig. 30**).

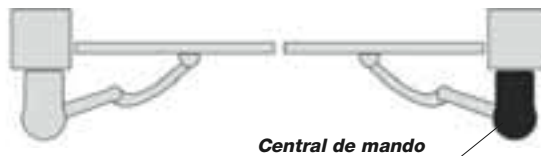


Caso E: no hay que hacer ninguna modificación.



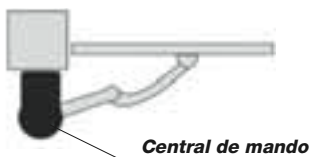
Caso F: (en la Central) es necesario llevar a cabo las siguientes operaciones:

- invierta la posición de los hilos en la regleta identificada con “Motor 2” (**fig. 29**).
- invierta la posición de los hilos en la regleta identificada con “Motor 1” (**fig. 30**).



Caso G: para automatizar una cancelada o un portón de una sola hoja, donde el motorreductor con Central esté colocado a la izquierda, proceda de la siguiente manera:

- (en la Central) localice el puente de conexión eléctrico “Sel” y desplácelo de su posición original, indicada en la **fig. 27**, hacia la posición indicada en la **fig. 28**.

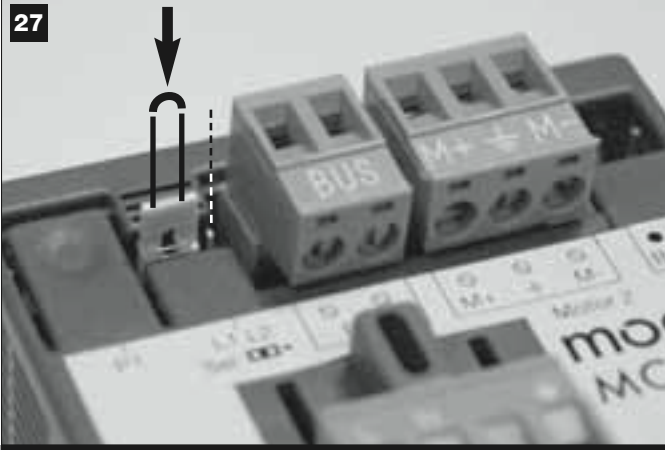


Caso H: para automatizar una cancelada o un portón de una sola hoja, donde el motorreductor con Central esté colocado a la derecha, proceda de la siguiente manera:

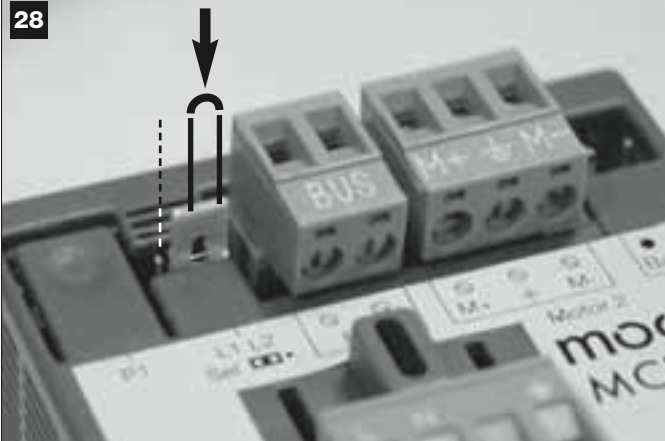
- (en la Central) localice el puente de conexión eléctrico “Sel” y desplácelo de su posición original, indicada en la **fig. 27**, hacia la posición indicada en la **fig. 28**.
- (en la Central) invierta la posición de los hilos en la regleta identificada con “Motor 1” (**fig. 30**).



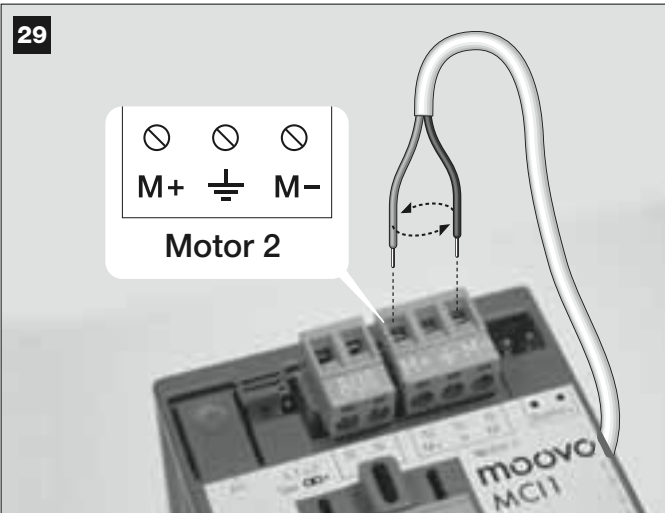
27



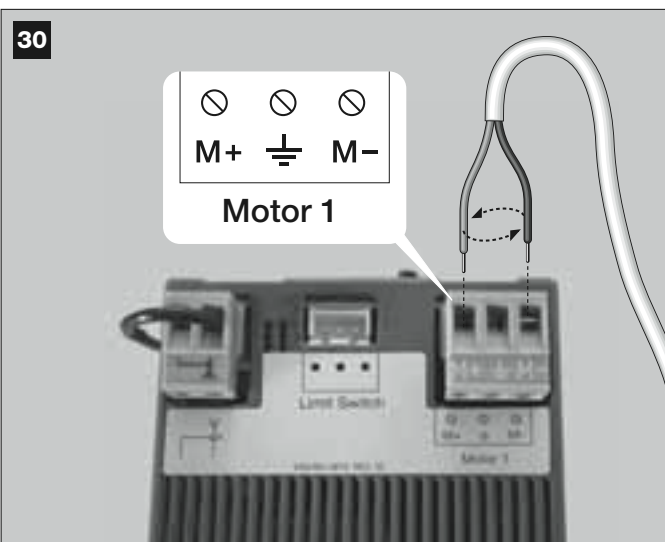
28



29



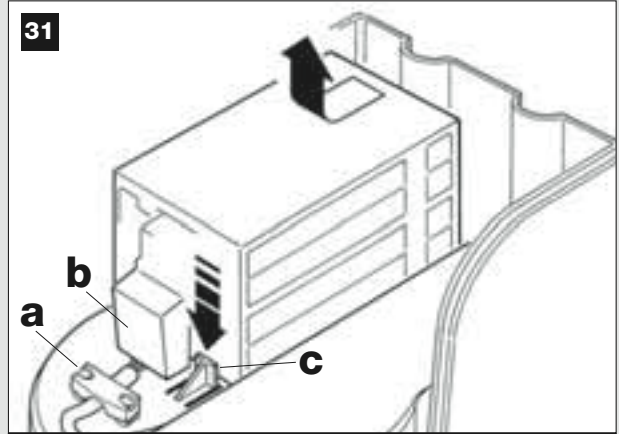
30



CÓMO EXTRAER LA CENTRAL DE MANDO DEL MOTORREDUCTOR

01. Con un destornillador en estrella, desenrosque los tornillos del prensaestopas (fig. 31-a) y la tapa de la regleta (fig. 31-b) para facilitar el desplazamiento de la Central de su alojamiento.
02. Figs. 31-32: presione con un dedo la aleta (fig. 31-c) que bloquea la Central; con la otra mano, extraiga la Central de su alojamiento empujándola hacia delante y, simultáneamente, hacia arriba para desengancharla de la guía.

31

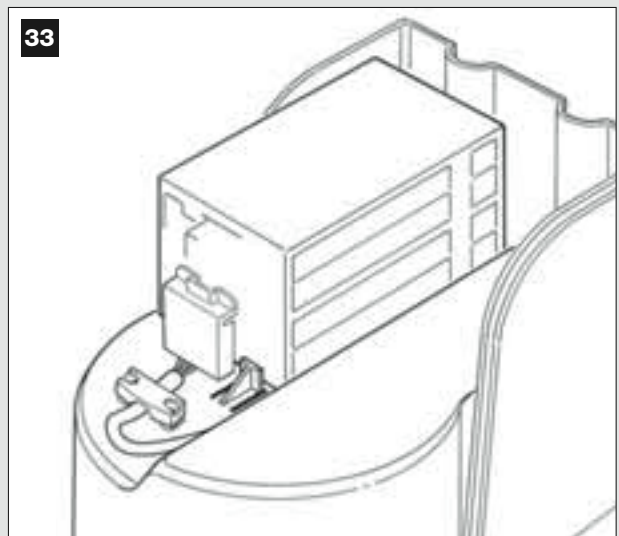


32



03. Fig. 33: después de haber hecho el trabajo, coloque la Central en su alojamiento de la siguiente manera: a) coloque la Central sobre la aleta (fig. 31-c) y, empujando hacia abajo, tírela hacia atrás hasta oír un clic. Por último, coloque nuevamente la tapa de la regleta y el prensaestopas.

33



6.2 – INSTALAR Y CONECTAR EL MOTORREDUCTOR SIN CENTRAL

Si la instalación prevé el uso de dos motorreductores, conecte, de la siguiente manera, el motorreductor sin Central a aquel que incorpora la Central:

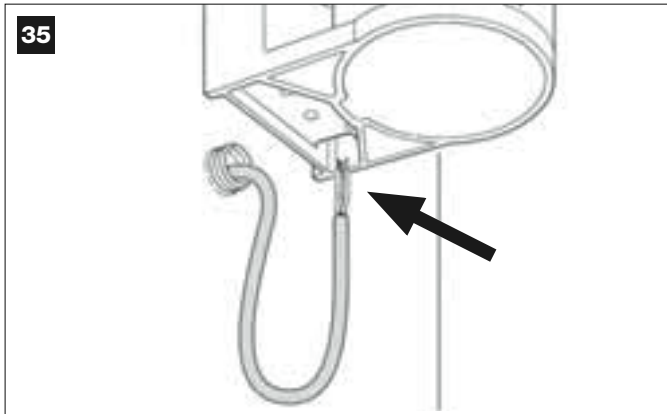
01. Fig. 34:

- En el motorreductor sin Central, desenrosque el tornillo colocado en la parte superior de la tapa, utilizando un destornillador en estrella.
- Coloque dos dedos sobre las dos cavidades presentes en la parte trasera del motorreductor y levante la tapa tirándola hacia arriba, haciendo palanca sobre la base sobre la que está apoyado este último.



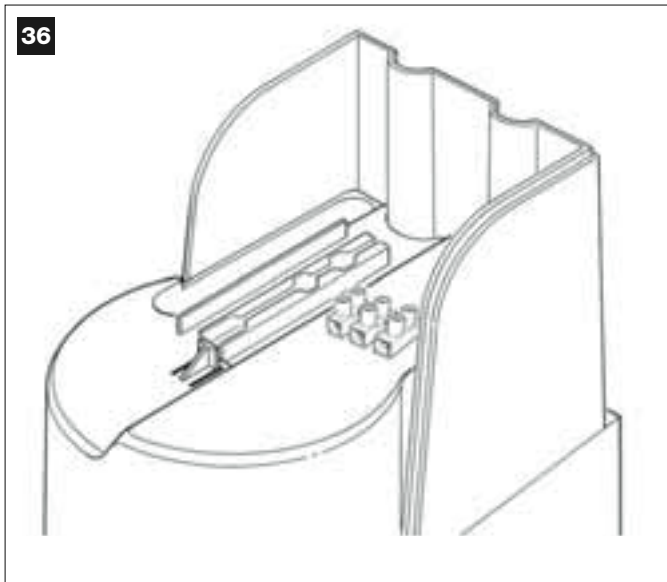
02. Fig. 35:

Introduzca el cable de conexión en el agujero presente en la parte inferior del motorreductor.



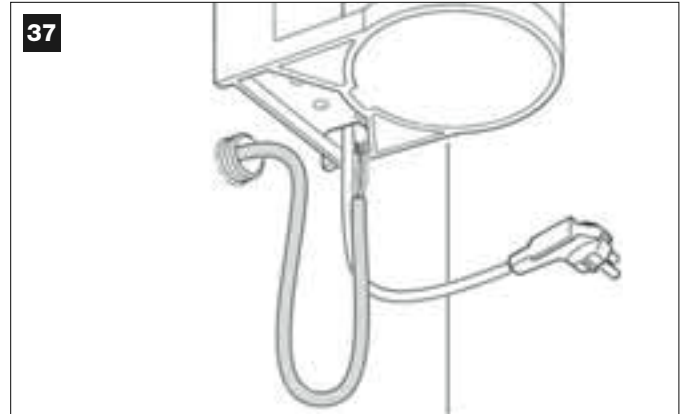
03. Fig. 36:

Conecte los hilos del cable a la regleta, respetando los símbolos presentes. Por último, fije el cable con el prensaestopas.



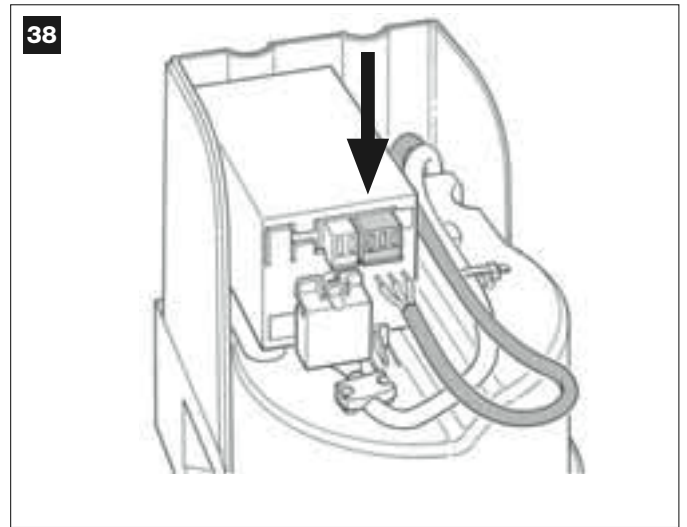
04. Fig. 37:

En el motorreductor con Central, quite la tapa y haga pasar por el agujero, presente en la parte inferior, el cable de conexión que proviene del otro motorreductor.



05. Fig. 38:

- Extraiga de su alojamiento la regleta destinada a la alimentación para poder desenroscar fácilmente los tornillos de los 3 bornes.
- Posteriormente, conecte los hilos del cable, respetando los símbolos presentes en la regleta y monte ésta última en su alojamiento.

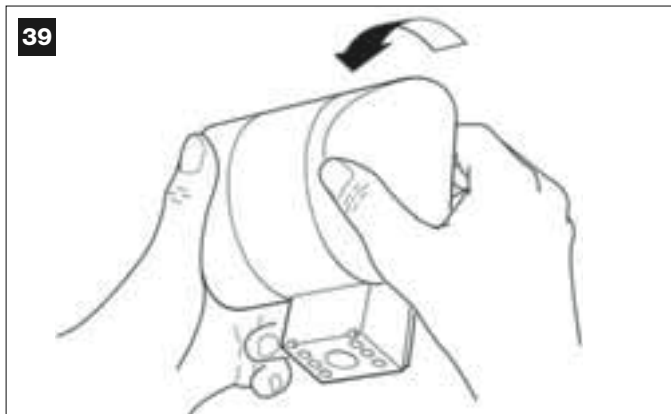


6.3 – INSTALAR Y CONECTAR LA LUZ INTERMITENTE mod. MF

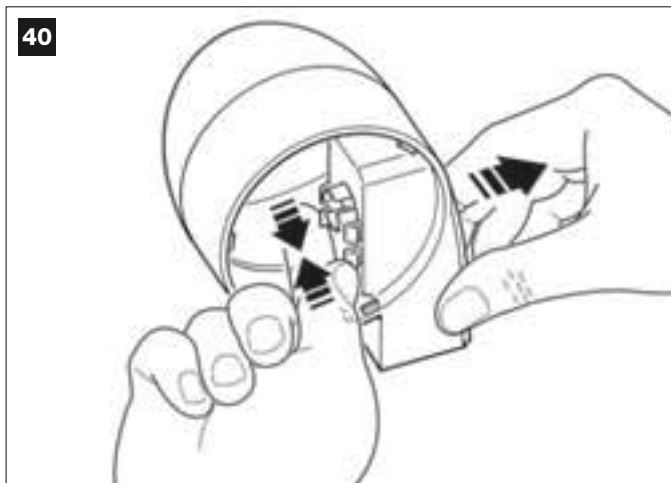
Este dispositivo luminoso señala que se está ejecutando alguna maniobra. Está conectado al sistema de autodiagnóstico de la Central y, en caso de anomalías de funcionamiento, señala el tipo de problema por medio de secuencias de destello predeterminadas (véase el párrafo “Qué hacer si...”).

Para instalar y conectar la luz intermitente, proceda de la siguiente manera:

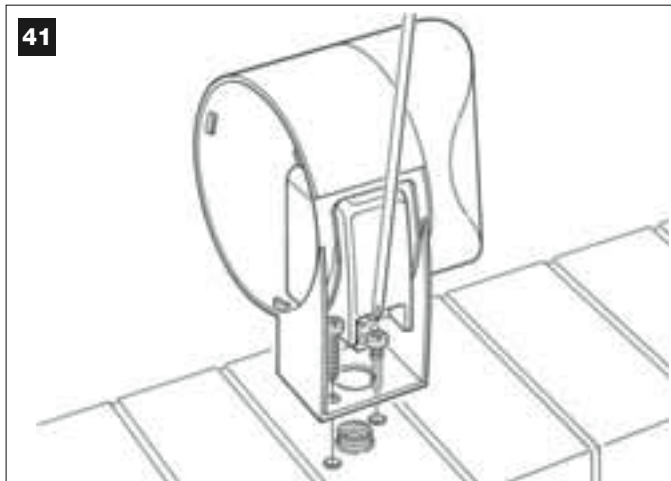
- 01. Fig. 39:**
Extraiga una de las dos tapas transparentes, girándola en el sentido antihorario.



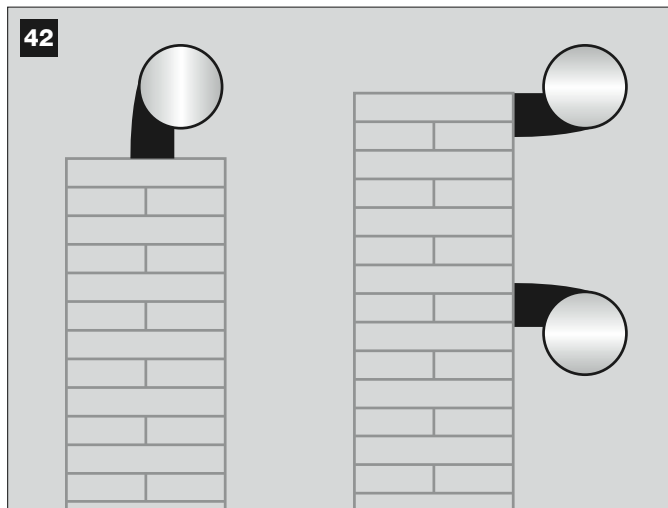
- 02. Fig. 40:**
Presione simultáneamente con dos dedos de la mano las dos lengüetas situadas abajo y, con la otra mano, extraiga el tapón exterior de la luz intermitente.



- 03. Fig. 41:**
Con un taladro, taladre en el fondo del cuerpo de la luz intermitente las partes destinadas para la fijación con los tornillos y para el paso de los cables.

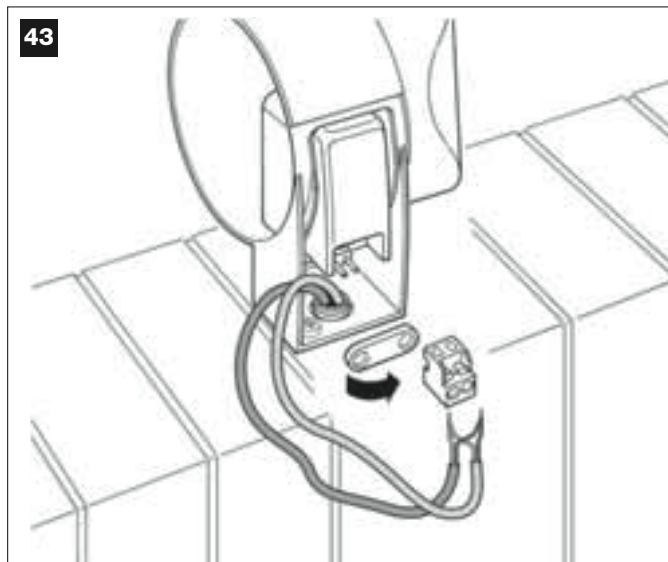


- 04. Fig. 42:**
¡Atención! – no monte el producto en posiciones diferentes de aquellas indicadas.

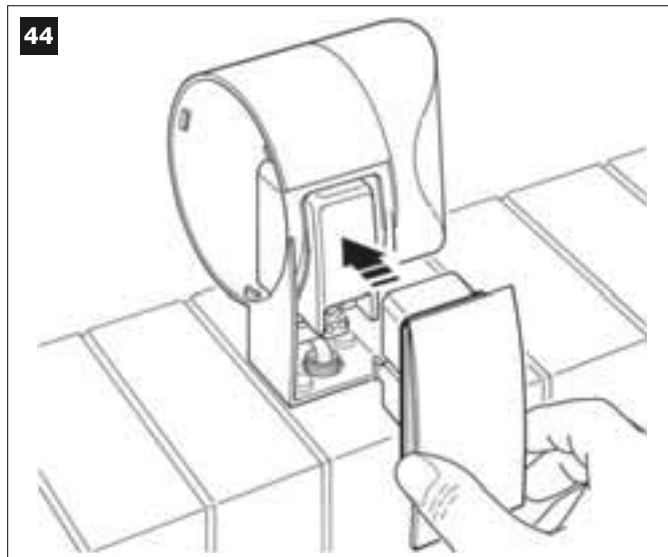


- 05.** Fije a la pared, con los tornillos correspondientes, el cuerpo de la luz intermitente pasando los cables por el agujero respectivo.

- 06. Fig. 43:**
a) Conecte los hilos de los dos cables entre sí y fíjelos en la regleta.
b) Bloquee el cable con el prensaestopas correspondiente.

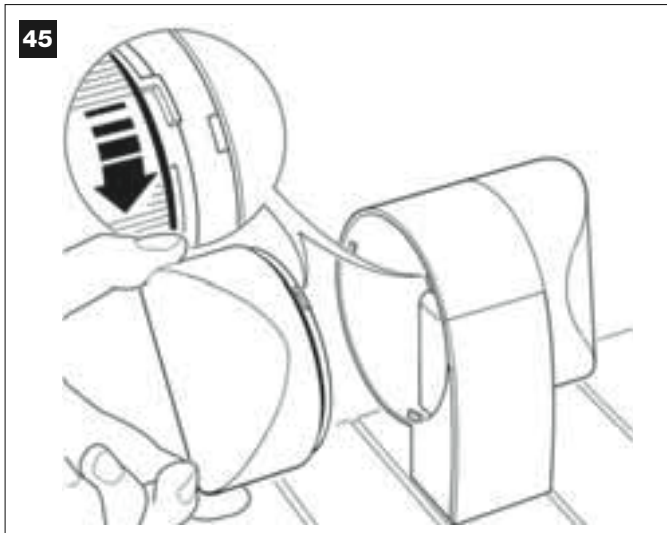


- 07. Fig. 44:**
Introduzca en su alojamiento el tapón exterior de la luz intermitente y enganche sus lengüetas.



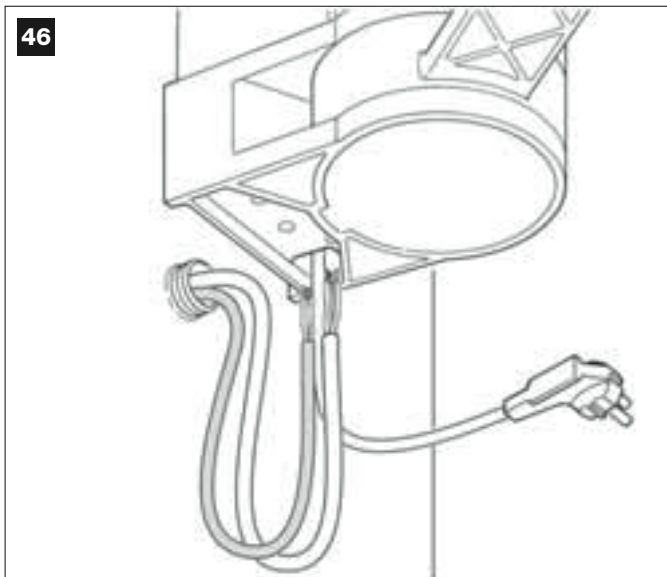
08. Fig. 45:

Monte la tapa transparente en su alojamiento y gírela en el sentido horario, observando que los dientes de la tapa se encastren en los dientes del cuerpo de la luz intermitente.



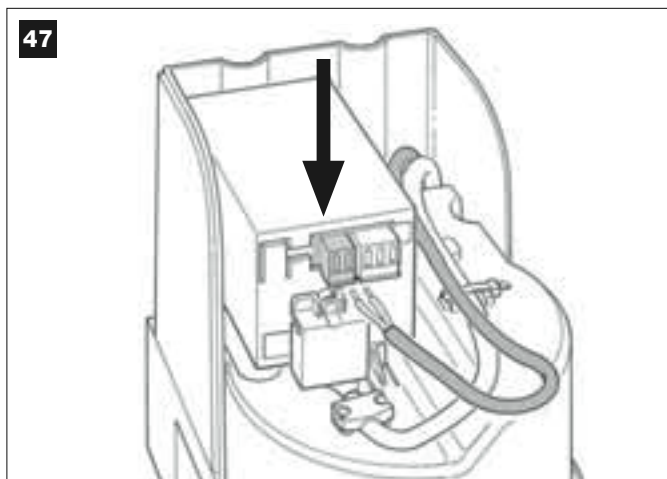
09. Fig. 46:

En el motorreductor con la Central, introduzca el cable de conexión de la luz intermitente en el agujero presente en la parte inferior.



10. Fig. 47:

- a) En la Central, extraiga de su alojamiento la regleta destinada a la conexión BUS, para poder desenroscar fácilmente los tornillos de los 2 bornes.
- b) Posteriormente, conecte los hilos del cable, respetando los símbolos presentes en la regleta y monte ésta última en su alojamiento.
- c) Por último, apriete el prensaestopas para fijar el cable al motorreductor.



6.4 – INSTALAR Y CONECTAR LAS FOTOCÉLULAS mod. MP

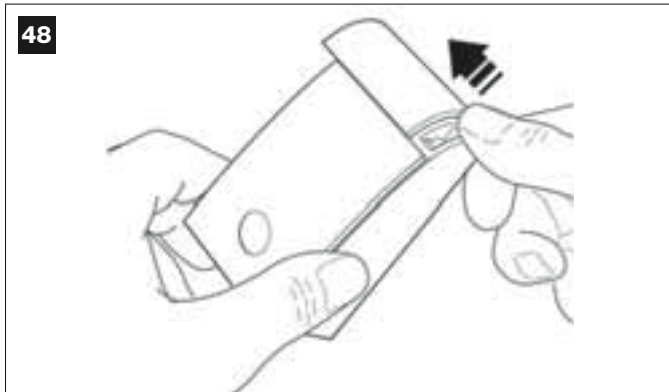
El par de fotocélulas está formado de la fotocélula transmisora (llamada TX) y de aquella receptora (llamada RX). TX y RX están identificadas por una etiqueta aplicada en el interior de la cubierta. Cada una de las fotocélulas se instala en un lado del paso y se conectan a la Central a través de la luz intermitente, mediante el cable BUS.

Las fotocélulas son un dispositivo de seguridad y permiten detectar los obstáculos que se encuentren en la línea de trayectoria entre ambas fotocélulas. Es posible añadir a la instalación hasta 6 pares de fotocélulas para la seguridad y un par de fotocélulas destinado a accionar el movimiento de Apertura (para instalar otras fotocélulas, consulte el recuadro "Selección de la modalidad de funcionamiento del par de fotocélulas").

Para instalar y conectar un par de fotocélulas, proceda de la siguiente manera:

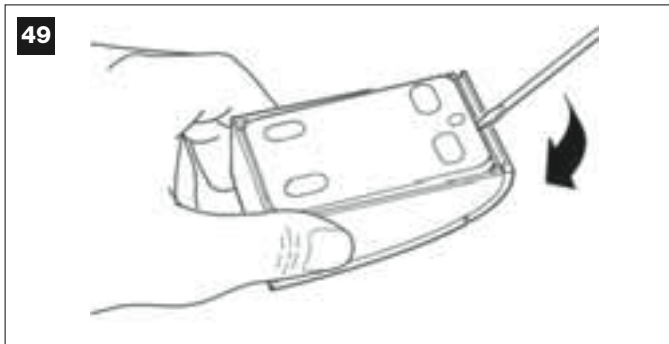
01. Fig. 48:

Quite el tapatornillo empujándolo del costado como se muestra en la imagen.



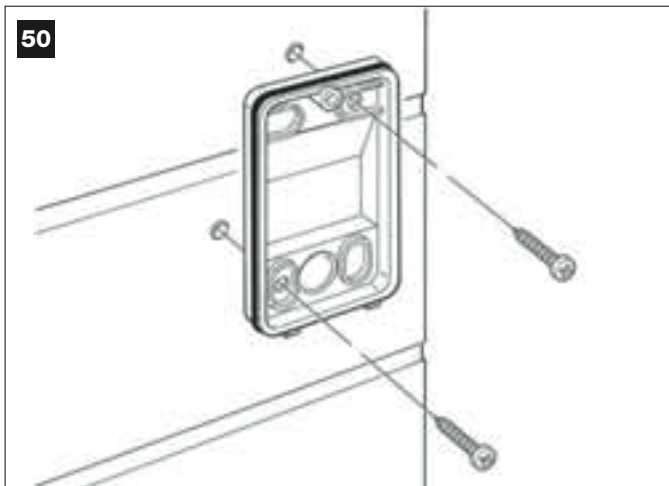
02. Fig. 49:

Con un destornillador, abra y separe el fondo de la fotocélula.



03. Fig. 50:

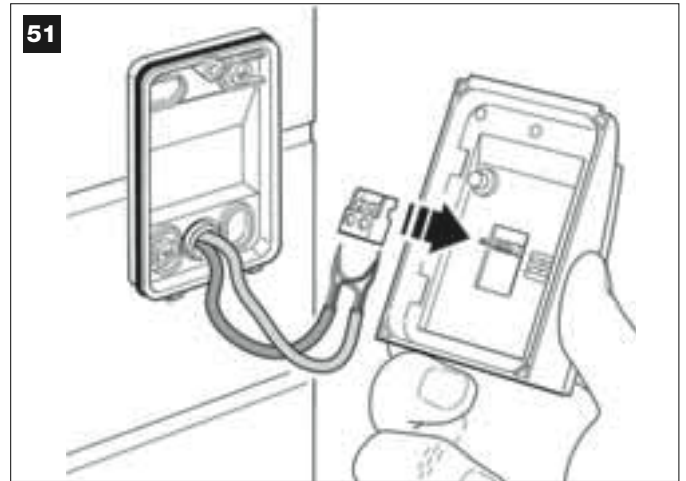
- Con un taladro, taladre en el fondo la parte destinada para el paso de los cables de conexión.
- Fije el fondo de la fotocélula a la pared, con los tornillos correspondientes, pasando los cables por el agujero respectivo.



04. Fig. 51:

- Conecte los hilos de los dos cables entre sí y fíjelos en la regleta.
- Conecte la regleta en el conector macho presente en la parte trasera de la fotocélula.

¡IMPORTANTE! – Antes de cerrar la fotocélula, seleccione con el puente de conexión correspondiente la modalidad de funcionamiento de las fotocélulas (véase el recuadro "Selección de la modalidad de funcionamiento del par de fotocélulas").



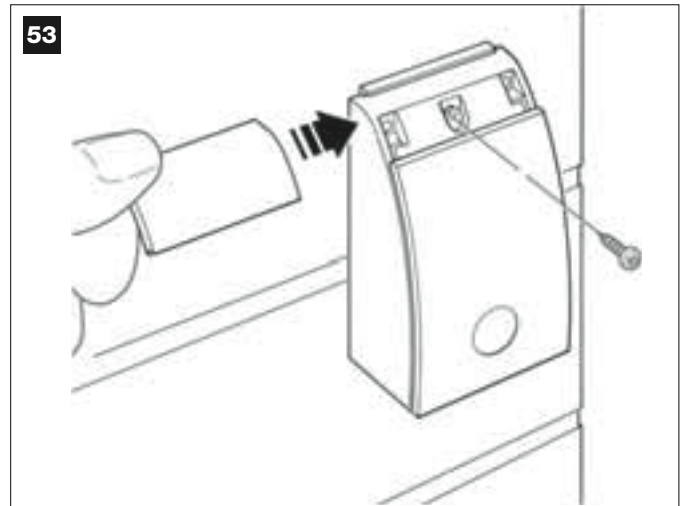
05. Fig. 52:

Coloque la cubierta encastrando los dientes en los dientes del fondo de la fotocélula.



06. Fig. 53:

Fije la cubierta de la fotocélula en el fondo con el tornillo correspondiente. Por último, coloque el tapatornillo, tal como se muestra en la imagen.



SELECCIÓN DE LA MODALIDAD DE FUNCIONAMIENTO DEL PAR DE FOTOCÉLULAS

En una instalación para cancelas de hojas de batiente es posible instalar otros pares de fotocélulas en cualquier momento. Se pueden añadir hasta un máximo de 6 pares de fotocélulas con función de seguridad (como en el ejemplo **A-B-C-D-E-F** de la **fig. 54**) y 1 par con función de mando (como en el ejemplo **G** de la **fig. 54**) que ejecuta sólo el movimiento de *Apertura*. Para colocar correctamente estos pares de fotocélulas, observe la **fig. 54**.

Para que la Central reconozca un par de fotocélulas y la función específica que se le ha asignado, es necesario direccionarlas insertando uno o dos puentes de conexión (**Tabla 3**), o ningún puente de conexión (**Tabla 3**). De esta manera, cuando la Central reciba el input de las fotocélulas, hará que el motor lleve a cabo el movimiento correspondiente.

El direccionamiento se hace tanto en la fotocélula TX como en aquella RX, siguiendo estos pasos:

Para las fotocélulas "A-B-C-D-E-F"

Observe las siguientes advertencias:

- **los puentes de conexión deben estar colocados en las dos fotocélulas utilizando la misma configuración;**
- **una configuración utilizada en un par de fotocélulas NO debe utilizarse en otras fotocélulas.**

Para programar estos pares de fotocélulas (en su caso), proceda de la siguiente manera:

- 01.** Abra la cubierta de la fotocélula.
- 02.** Observe en la **fig. 54** la posición donde se deben instalar las fotocélulas deseadas.
- 03.** Observe en la **Tabla 3** la configuración deseada e inserte los puentes de conexión en ambas fotocélulas.

Para las fotocélulas "G"

Observe las siguientes advertencias:

- Estas fotocélulas tienen una función diferente de las demás (accionan la automatización); por consiguiente, hay que colocarlas a una cierta distancia de las demás fotocélulas para evitar interferencias.
- Estas fotocélulas quedan alimentadas incluso cuando la automatización está inactiva y, si se cortara la energía eléctrica y en el sistema estuviera instalada la batería compensadora, ésta disminuirá su duración normal (véase el PASO 6.6).

Para programar estos pares de fotocélulas (si estuvieran montadas), no es necesario insertar ningún puente de conexión (véase la **Tabla 3**).

54

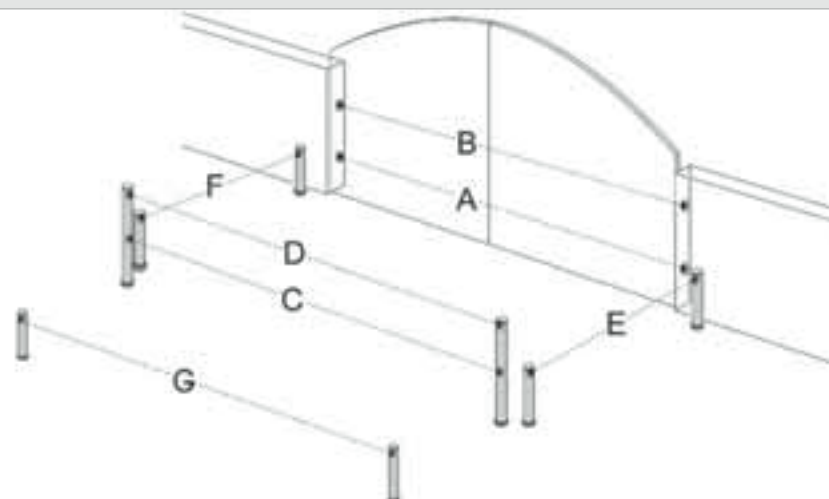


TABLA 3

Par de Fotocélulas	Puentes de conexión eléctricos	Par de Fotocélulas	Puentes de conexión eléctricos
A Fotocélulas h = 50 cm (intervienen cuando la cancela se está Cerrando)		E Fotocélulas derechas (intervienen cuando la cancela se está Abriendo)	
B Fotocélulas h = 100 cm (intervienen cuando la cancela se está Cerrando)		F Fotocélulas izquierdas (intervienen cuando la cancela se está Abriendo)	
C Fotocélulas h = 50 cm (intervienen cuando la cancela se está Abriendo o Cerrando)		G Fotocélulas con el mando de Apertura de la cancela solo	
D Fotocélulas h = 100 cm (intervienen cuando la cancela se está Abriendo o Cerrando)			

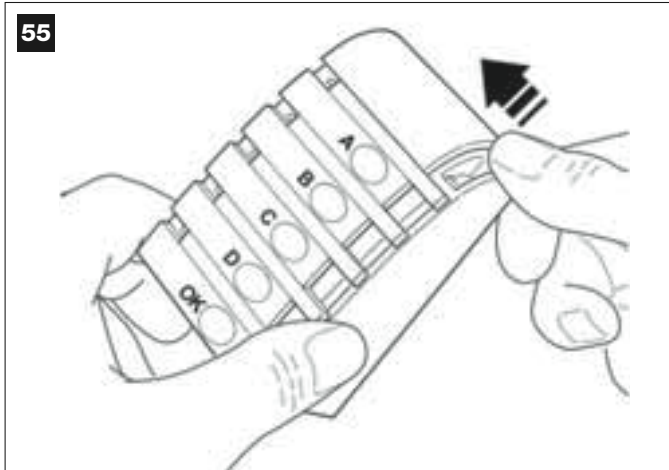
6.5 – INSTALAR Y CONECTAR LA BOTONERA mod. MK

La Botonera de mando es un dispositivo que se fija a la pared y acciona la automatización a través de una conexión Bus. Es posible conectar hasta 4 botoneras en un solo sistema y el dispositivo puede ser programado para funcionar en dos modalidades: *modo tradicional* (cada botón ejecuta una función específica asignada – *modalidad configurada en fábrica*) y *modo seguridad* (para accionar un movimiento es necesario pulsar una secuencia secreta de botones, configurada por el usuario). La botonera se retroilumina cuando hay poca luz.

Para instalar y conectar la botonera, proceda de la siguiente manera:

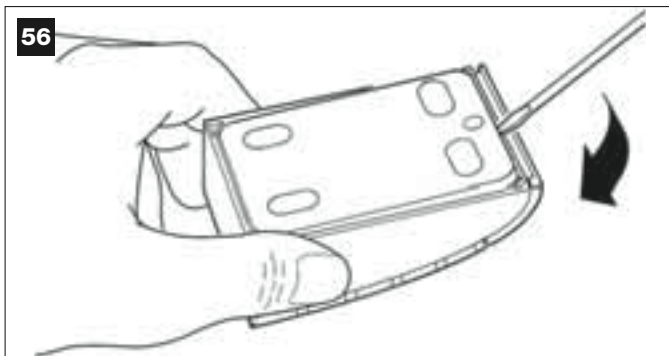
01. Fig. 55:

Quite el cubierta de la botonera empujándola del costado como se muestra en la imagen.



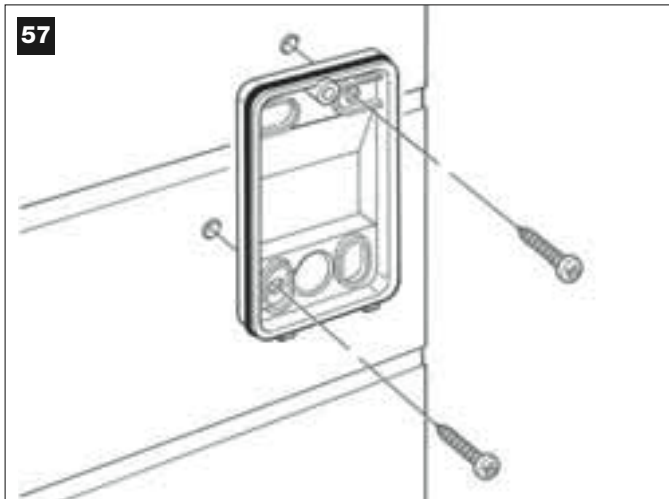
02. Fig. 56:

Con un destornillador, abra y separe el fondo de la botonera.



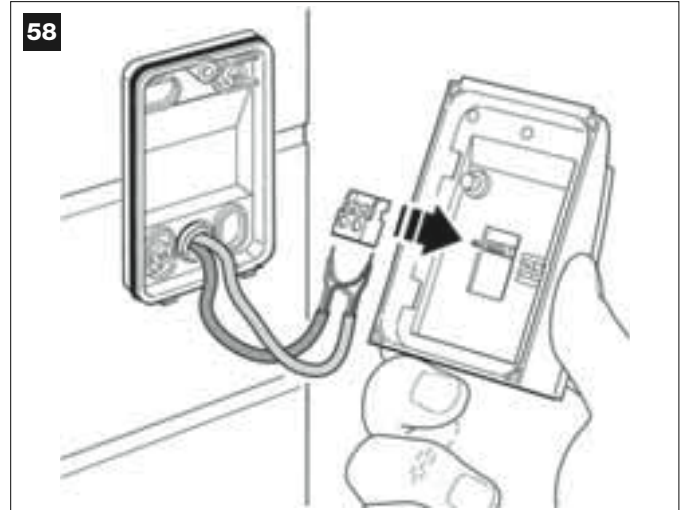
03. Fig. 57:

- Con un taladro, taladre en el fondo la parte destinada para que pase el cable de conexión.
- Fije el fondo de la botonera a la pared con los tornillos correspondientes, pasando los cables por el agujero respectivo.



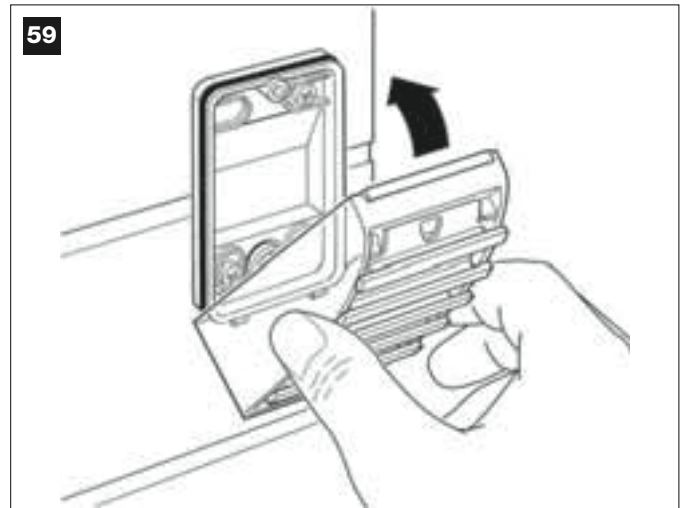
04. Fig. 58:

- Conecte los hilos del cable a los bornes correspondientes.
- Conecte el conector del cable en el conector macho presente en la parte trasera de la botonera.



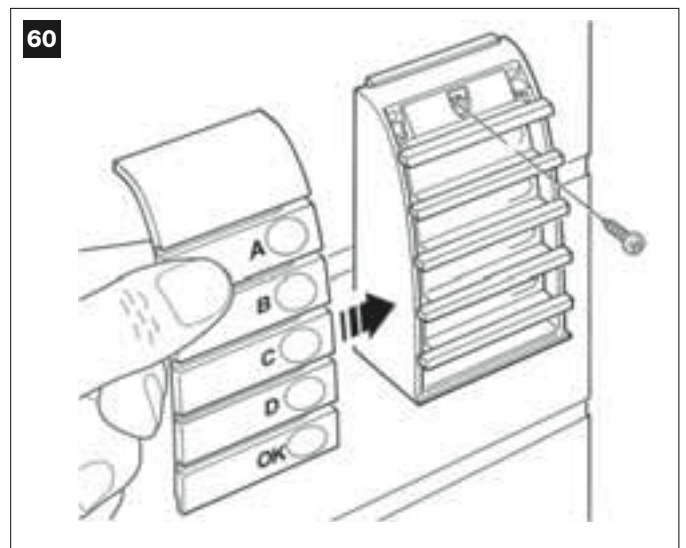
05. Fig. 59:

Coloque la cubierta, encastrando sus dientes en los dientes del fondo de la botonera.



06. Fig. 60:

Fije la cubierta de la botonera en el fondo con el tornillo correspondiente. Por último, coloque el tapatornillo, tal como se muestra en la imagen.



6.6 – INSTALAR LA BATERÍA COMPENSADORA mod. MB

La batería compensadora es autorrecargable, con una tensión de 12V y una potencia de 2100mAh. La batería es muy útil cuando se corta improvisamente la energía eléctrica (*black-out*). El motorreductor con Central admite la instalación de 1 batería.

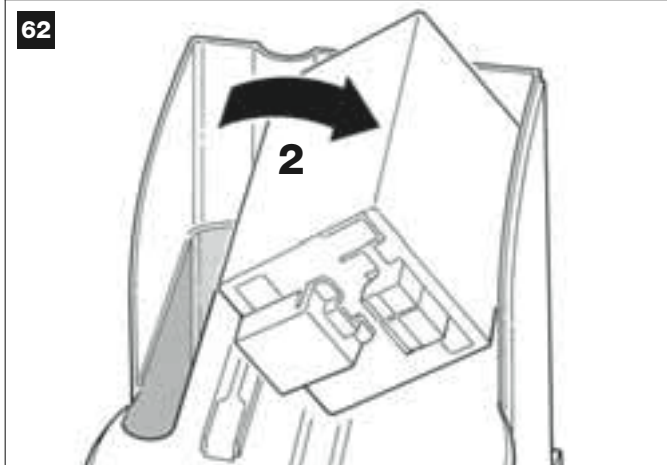
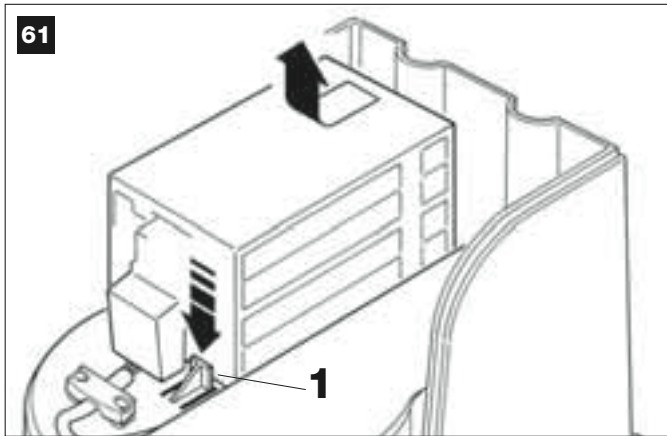
Según el tipo y el peso de la cancela, cuando la batería está cargada logra garantizar una autonomía de unos 6 - 7 ciclos de maniobras consecutivas (1 ciclo = *Apertura - Cierre*).

El espacio donde hay que montar la batería compensadora está debajo de la Central; por consiguiente, para instalarla, siga estos pasos:

01. Con un destornillador en estrella, desenrosque los tornillos del prensaestopas para dejar libre el cable de alimentación y para facilitar el desplazamiento de la Central de su alojamiento.

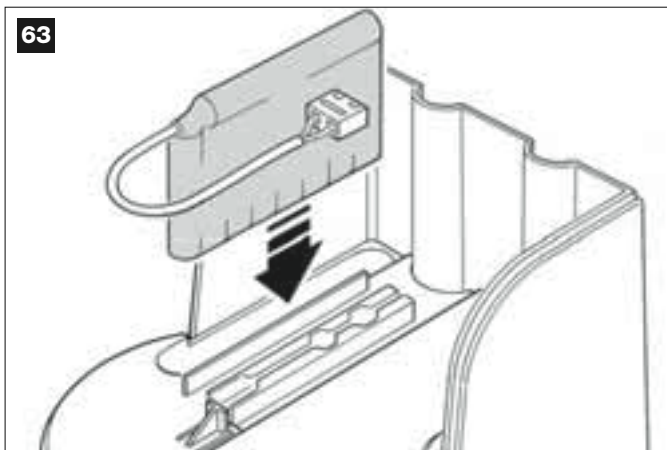
02. Figs. 61-62:

Presione con un dedo la aleta (1) que bloquea la Central; con la otra mano extraiga la Central de su alojamiento empujándola hacia delante y, simultáneamente, hacia arriba (2) para desengancharla de la guía.



03. Fig. 63:

Introduzca la batería en el espacio correspondiente debajo de la Central.



04. Coloque la Central en su alojamiento de la siguiente manera:

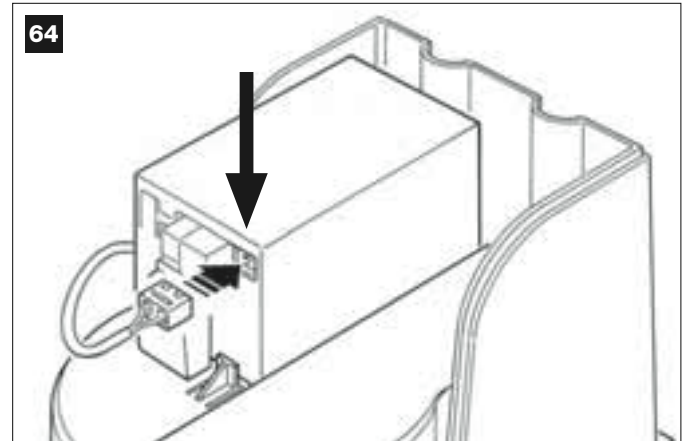
a) coloque la Central sobre su guía

b) empujela hacia abajo y, simultáneamente, tírela hacia atrás hasta oír un clic.

¡ATENCIÓN! - El siguiente punto (05 - conexión eléctrica de la batería compensadora a la Central) debe hacerse únicamente después de haber concluido todas las etapas de instalación y programación, porque la batería es una alimentación eléctrica de emergencia.

05. Fig. 64:

Entonces, conecte el conector de la batería en el conector macho presente en la Central.



ADVERTENCIAS

Para garantizar una buena duración de la batería compensadora, se aconseja observar las siguientes advertencias:

- La batería compensadora es un dispositivo de emergencia: por consiguiente, es oportuno utilizarla únicamente cuando sea necesario y moderadamente. Un uso excesivo y continuo podría recalentar los elementos que, con el pasar del tiempo, podrían dejar de garantizar la duración normal de la batería.

- No deje la automatización alimentada con la batería compensadora por mucho tiempo: sus elementos podrían descargarse y afectar la duración de la misma batería.

Por dicho motivo, si usted prevé no utilizar la automatización durante mucho tiempo, conviene desconectar el borne de la batería compensadora conectado a la Central.

- Cuando la batería compensadora está totalmente agotada, para recargarla completamente se requieren unas 24 horas.

- Si la automatización quedara inactiva por mucho tiempo, para evitar fugas de sustancias nocivas de la batería opcional, se aconseja extraerla y guardarla en un lugar seco.

Eliminación de la batería

¡Atención! – La batería agotada contiene sustancias contaminantes y, por dicho motivo, no debe arrojarse en los residuos normales. Hay que eliminarla utilizando los métodos de recogida selectiva previstos por las normativas vigentes locales.

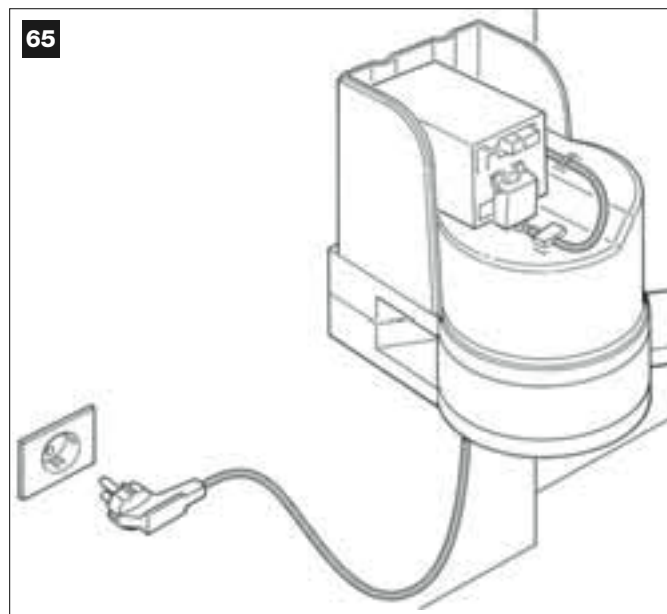
7° PASO

¡ADVERTENCIAS!

- El cable de alimentación de PVC, suministrado junto con el producto, sirve para una instalación en interiores; para un uso en exteriores, es necesario proteger todo el cable con un tubo de protección y de aislamiento, o bien sustituir el cable con uno, por ejemplo, tipo H07RN-F.

- La conexión definitiva de la automatización a la red eléctrica, o la sustitución del cable suministrado, debe ser llevada a cabo únicamente por un electricista cualificado y experto, que respete las normas de seguridad locales vigentes y las instrucciones mencionadas en el recuadro "Trabajos reservados a un técnico cualificado".

Para hacer los ensayos de funcionamiento y la programación de la automatización, active la alimentación a la Central conectando el enchufe del cable de alimentación suministrado a un tomacorriente eléctrico (fig. 65). Si el tomacorriente está colocado lejos de la automatización, se puede utilizar un cable de prolongación.



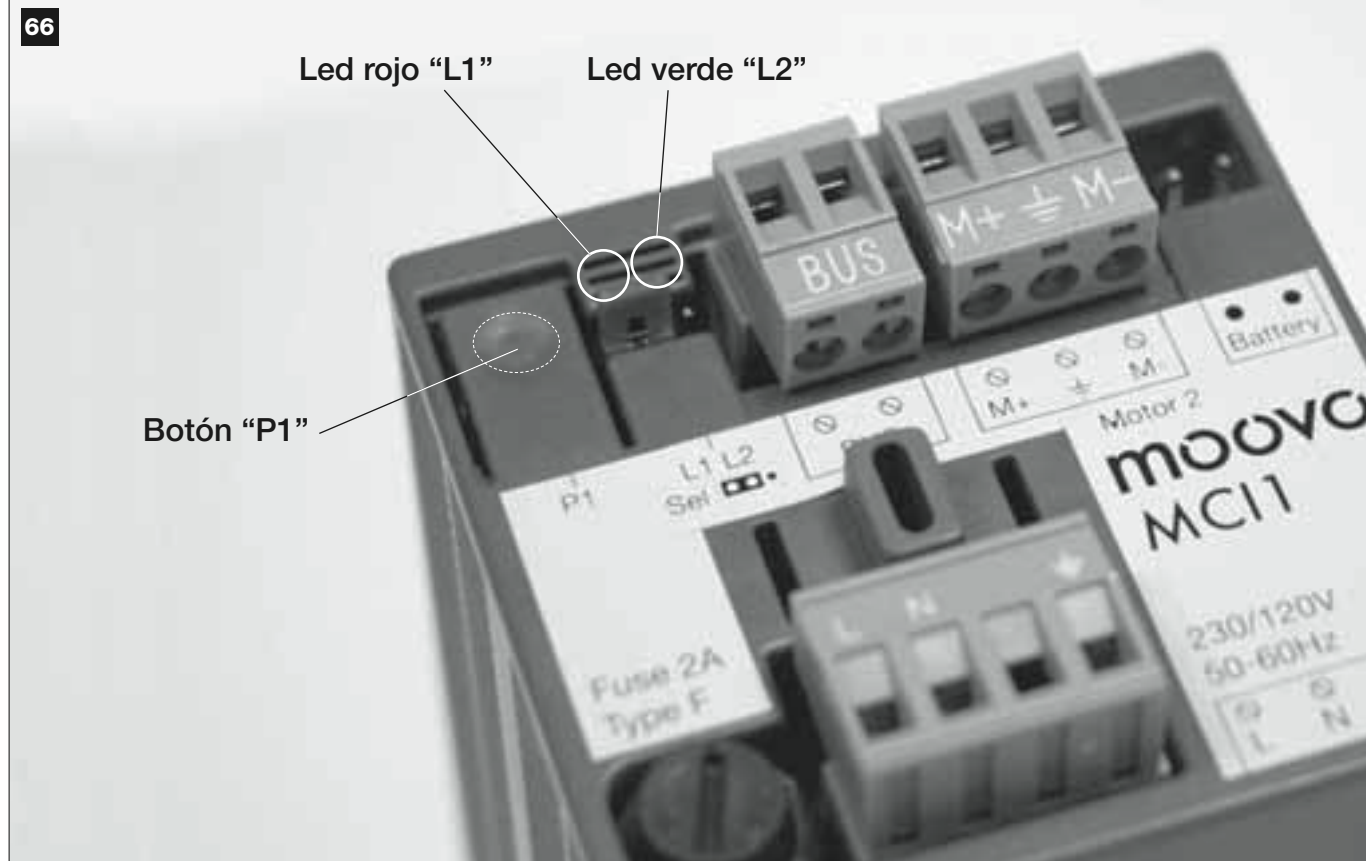
PRIMER ENCENDIDO Y CONTROL DE LAS CONEXIONES ELÉCTRICAS

8° PASO

¡ATENCIÓN! – Las siguientes operaciones deben llevarse a cabo en los circuitos eléctricos bajo tensión y las maniobras podrían ser peligrosas. Por consiguiente, trabaje con mucho cuidado.

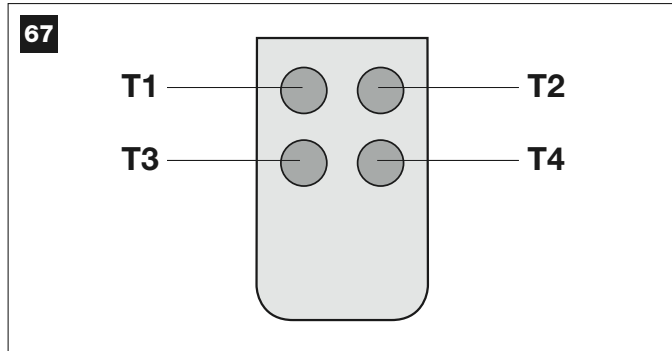
Después de haber conectado la corriente eléctrica a la Central (fig. 65), el Led rojo y el Led verde (fig. 66) emitirán una serie de destellos. Concluida esta etapa, el Led rojo comenzará a destellar con frecuencia regular. Esto significa que la Central funciona regularmente.

¡Atención! – Si el Led rojo no destellara como descrito, se aconseja cortar la alimentación eléctrica a la Central y controlar mejor las conexiones hechas (consulte también el capítulo "Qué hacer si...").



ADVERTENCIAS para la programación:

- Se aconseja **leer primero** los procedimientos y **después llevar a cabo** las operaciones, efectuando los pasos de cada uno de los procedimientos de manera consecutiva.
- En este manual los botones del transmisor están identificados con números. Para saber la correspondencia entre los **números** citados y los **botones** del transmisor, véase la **fig. 67**.



9º PASO

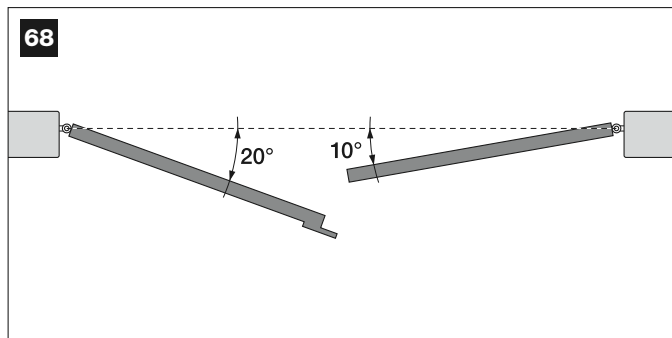
9.1 – MEMORIZACIÓN DE LOS DISPOSITIVOS CONECTADOS POR MEDIO DEL CABLE “BUS” Y DE LAS POSICIONES DE FIN DE CARRERA “0” Y “1” DE LAS HOJAS

Programa la Central de mando siguiendo estas operaciones:

Nota – Mientras se esté ejecutando el procedimiento, es posible salir en cualquier momento (sin memorizar las acciones hechas) pulsando 1 vez el botón “P1” en la Central (fig. 66). A partir del punto 07, se puede salir del procedimiento incluso por la intervención de un dispositivo de seguridad (fotocélulas u otro dispositivo).

01. (en la Cancela)

Desbloquee los dos motorreductores con la llave correspondiente (véase el capítulo “Bloquear o desbloquear manualmente el motorreductor” en la sección “DOCUMENTACIÓN TÉCNICA”) y coloque manualmente las dos hojas de la cancela en la posición indicada en la fig. 68. Posteriormente, bloquee de nuevo los motorreductores.



02. (en la Central)

Mantenga pulsado durante **5 segundos** como mínimo el botón “P1” hasta que se apague el Led verde y se encienda el Led rojo (este led quedará encendido hasta que se concluya el procedimiento). Posteriormente, suelte el botón y lleve a cabo estas operaciones:

03. (en las Fococélulas para la seguridad)

Nota – El tiempo a disposición para hacer este control es ilimitado. Controle que las fotocélulas de este tipo funcione correctamente, comprobando que sus Leds destellen lentamente. Por el contrario, si el led estuviera encendido o apagado, corrija la alineación entre las fotocélulas tratando de obtener un destello lo más lento posible (cuanto más lento es el destello, mejor será la alineación entre las fotocélulas).

- Luz intermitente con frecuencia larga = alineación correcta de las fotocélulas;

- Luz encendida fija = alineación incorrecta (corrija la alineación entre las fotocélulas);
- Luz apagada = fotocélulas mal instaladas (controle la conexión “Bus” de las fotocélulas).

04. (en las Fococélulas para el mando)

Active este tipo de fotocélulas (en su caso) interrumpiendo una sola vez su rayo. La confirmación de que se ha ejecutado el aprendizaje la da la luz intermitente (1 destello) y la botonera (1 tono de aviso) si estuvieran montadas en la instalación.

05. (en las Botoneras)

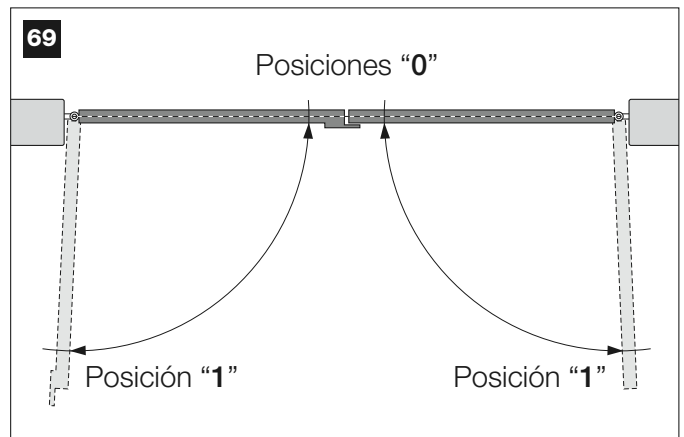
Active las botoneras (en su caso) pulsando una sola vez un único botón en cada una de ellas. La confirmación de que se ha ejecutado el aprendizaje la dan 2 tonos de aviso emitidos por la botonera y un destello de la luz intermitente, si ésta estuviera montada en la instalación.

06. (en la Central)

Mantenga pulsado durante **5 segundos** como mínimo el botón “P1”, hasta que el Led verde se apague. Posteriormente, suelte el botón.

07. (en la Cancela)

Nota – las maniobras siguientes permiten que la Central memorice automáticamente las posiciones relativas al punto “0” (Cierre total) y al punto “1” (Apertura total), tal como se muestra en la fig. 69.



Entonces, la Central pondrá en marcha 3 movimientos, señalados también por la luz intermitente:

- 1 - Cierre de la Hoja 2 y, posteriormente, cierre de la Hoja 1.
- 2 - Apertura de las dos hojas.
- 3 - Cierre de las dos hojas.

Al concluir este último movimiento, el Led rojo se apagará (procedimiento concluido) y, posteriormente, volverá a destellar con frecuencia regular.

¡Atención! – Ni bien comience el primer movimiento, habrá que controlar inmediatamente que:

- a - la Hoja 2 se mueva antes que la Hoja 1;
- b - la Hoja 2 se mueva en la dirección de Cierre.

Si el resultado de dichos controles no fuera el previsto, detenga inmediatamente el procedimiento pulsando 1 vez el botón “P1” de la Central. Posteriormente, solucione los problemas “a” y “b” consultando el PASO 6.1 y haga de nuevo todo el procedimiento 9.1.

Memorizar posteriormente otros dispositivos conectados por medio del cable “Bus”

Si posteriormente se desearan instalar y memorizar otros dispositivos conectados a la Central por medio del “Bus”, y ya se hubiera llevado a cabo el procedimiento 9.1, será posible memorizar los nuevos dispositivos haciendo el mismo procedimiento, comenzando desde el punto 01 hasta el punto 06. Por último, habrá que pulsar 1 vez el botón “P1” en la Central para concluir la memorización.

9.2 – MEMORIZACIÓN DEL TRASMISOR mod. MT4

¡Atención! – Se aconseja leer primero el procedimiento y después llevar a cabo las operaciones, efectuando estas operaciones de manera consecutiva, sin dejar que pasen más de 10 segundos entre el momento en que se suelta un botón y el momento en que se pulsa el botón sucesivo.

Para poder accionar la automatización con el transmisor, habrá que memorizar sus botones en la memoria de la Central.

La memorización permite asociar a cada botón un mando deseado, seleccionándolo entre los siguiente mandos disponibles:

1 = Paso a Paso: corresponde a la secuencia ... **Abrir - Stop - Cerrar - Stop ...** El primer mando activa la *Apertura*; el siguiente, con la hoja moviéndose, activa el *Stop*; el tercero, el *Cierre*; el cuarto, con la hoja moviéndose, acciona el *Stop* y así sucesivamente.

2 = Paso-Abrir: corresponde a la secuencia ... **Abrir - Stop - Cerrar - Abrir ...** El primer mando activa la *Apertura*; el siguiente, con la hoja moviéndose, activa el *Stop*; el tercero, el *Cierre*; el cuarto, con la hoja moviéndose, acciona la *Apertura* y así sucesivamente.

3 = Apertura parcial: corresponde a la apertura total de una sola hoja. Este mando funciona sólo si la **Hoja 2**, aquella que está debajo, está completamente cerrada.

4 = Apertura comunitaria: este mando ha sido diseñado para ser utilizado en edificios y prevé la programación de todos los transmisores sólo con el botón "apertura comunitaria". El mando funciona de la siguiente manera:

- si el mando es enviado mientras se está ejecutando un movimiento de *Apertura*, el movimiento continúa;
- si el mando es enviado mientras se está ejecutando un movimiento de *Cierre*, el movimiento se interrumpe y comienza el movimiento de *Apertura*;
- si el mando es enviado cuando la cancela está detenida y completamente abierta, comienza el movimiento de *Cierre*. **Nota** – También es posible obtener el **cierre automático** de la cancela, programando un tiempo de pausa deseado (véase el capítulo 10).

La ejecución del procedimiento memoriza un solo botón del transmisor; dicho botón se puede memorizar tanto en la Central como en las Centrales de otras automatizaciones. La memoria de la Central puede memorizar hasta 150 botones.

Para cada botón que se desee memorizar, repita el siguiente procedimiento.

- 01.** Decida el **botón** del transmisor que desea memorizar (ejemplo: *el botón T3*).
- 02.** Decida el **mando**, entre aquellos antes mencionados, que desea asociar al botón escogido (ejemplo: *el mando "2"*).
- 03.** Pulse el botón "**P1**" (en la Central) la cantidad de veces equivalente al número del mando escogido (en nuestro ejemplo, "**2**" veces) y controle que el Led verde emita la misma cantidad de destellos rápidos (dichos destellos se repetirán con frecuencia regular).
- 04.** (antes de 10 segundos) Pulse durante 2 segundos como mínimo el botón del transmisor que desea memorizar (en nuestro ejemplo, *el botón T3*).

Si la memorización es correcta, el Led verde emitirá 3 destellos largos (*memorización correcta*). **Nota** – Antes de que transcurran 10 segundos, es posible memorizar un botón de un NUEVO transmisor con el mismo mando (esta función es útil cuando haya que memorizar varios transmisores en la misma Central).

En caso contrario, espere a que el Led verde se apague (procedimiento concluido) y que el Led rojo vuelva a destellar con frecuencia regular.

9.3 – PROGRAMACIÓN DE LA BOTONERA mod. MK

La botonera de mando puede ser programada en dos modalidades de funcionamiento alternativas entre sí:

- **modalidad TRADICIONAL** (sin utilizar una contraseña personal)
- **modalidad SEGURIDAD** (utilizando una contraseña personal)

Después de memorizarla (véase el PASO 9.1), la botonera estará configurada en "modalidad Tradicional" (configuración de fábrica) y la modalidad se podrá cambiar de la siguiente manera.

Modalidad de funcionamiento "Tradicional"

En esta modalidad los botones son independientes y cada uno acciona un movimiento específico. Los mandos son:

- botón "**A**" = mando **Paso a Paso**
- botón "**B**" = mando **Apertura parcial**
- botón "**C**" = mando **Abrir**
- botón "**D**" = mando **Cerrar**
- botón "**OK**" = mando **Stop**

Modalidad de funcionamiento "Seguridad"

En esta modalidad la botonera funciona insertando una contraseña elegida por el usuario (de 1 a 10 letras), seguida del botón "**OK**". Esta combi-

nación de botones envía sólo el mando específico predeterminado por el usuario durante la programación de la modalidad.

Nota – Si se ha programado el mando **Paso a Paso**, después de haber enviado el mando, usted tendrá 10 segundos a disposición para enviar otro mando, pulsando simplemente el botón "**OK**". De esta manera se evita tener que insertar de nuevo la contraseña.

PROGRAMACIÓN DE LA MODALIDAD "SEGURIDAD"

- 01.** Mantenga pulsados contemporáneamente los botones "**A**" y "**B**" durante algunos segundos hasta que la botonera emita una secuencia de tonos de aviso que señalan que la programación ha comenzado.
- 02.** Con los botones de la botonera, inserte el "**código PUK**" (código de 10 letras suministrado con la botonera); por último, pulse el botón "**OK**".
Si el código es correcto, la botonera emitirá una serie de tonos de aviso; por el contrario, si fuera incorrecto, emitirá un único sonido continuo.
- 03.** Con los botones de la botonera, inserte una *contraseña personal* (1 a 10 letras); por último, pulse el botón "**OK**".
La botonera emitirá una serie de tonos de aviso.
- 04.** Por último, elija en la lista de abajo el mando que se desea programar y pulse el **botón asociado al mando** en la botonera; por último, pulse el botón "**OK**":

Mando Paso a paso	= botón A
Mando Apertura parcial	= botón B
Mando Abrir	= botón C
Mando Cerrar	= botón D
Mando Stop	= botón OK

La botonera emitirá una serie de tonos de aviso, indicando el final de esta programación.

Modificar la Contraseña personal

Si se desea modificar la contraseña personal, siga todo el procedimiento "modalidad Seguridad", cambiando en el punto 03 la contraseña existente.

PROGRAMACIÓN DE LA MODALIDAD "TRADICIONAL"

Para programar esta modalidad de funcionamiento, siga el procedimiento "Programación de la modalidad Seguridad", pulsando en los puntos 03 y 04 sólo el botón "**OK**".

La Central incorpora algunas funciones opcionales que permiten añadir a la automatización algunas funciones específicas para poderla personalizar según sus exigencias personales.

10 – REGULACIÓN DEL FUNCIONAMIENTO DE LA AUTOMATIZACIÓN

Para personalizar el funcionamiento de la automatización es posible activar o desactivar algunas funciones y regular sus valores. Las funciones son:

- **CIERRE AUTOMÁTICO DE LAS HOJAS.** Cuando esta función está activa, al concluir un movimiento de *Apertura*, accionada por el usuario, la Central cerrará automáticamente la cancela transcurrido un determinado tiempo.
- **VELOCIDAD DEL MOVIMIENTO DE LAS HOJAS.** Esta función permite configurar la velocidad deseada con la que la automatización moverá las hojas de la cancela.
- **SENSIBILIDAD DE LAS HOJAS HACIA LOS OBSTÁCULOS.** Si durante un movimiento, un obstáculo frenara accidentalmente el movimiento de las hojas de la cancela (una ráfaga de viento, un vehículo, una persona, etc.), esta función detectará inmediatamente el aumento del esfuerzo del motor para contrarrestar el obstáculo y accionará inmediatamente la inversión total del movimiento. Si se hubiera configurado el "cierre automático de las hojas", la central probará una segunda vez, a la tercera tentativa, después de una breve inversión, detendrá definitivamente el movimiento.
- **DESCARGA DE LA PRESIÓN DE LAS HOJAS.** Al concluir el movimiento de *Cierre*, después de que las hojas hayan alcanzado el fin de carrera "0", el motor seguirá "empujando" las hojas durante algunos segundos, para asegurar un cierre perfecto. Inmediatamente después, esta función accionará una breve inversión del movimiento a fin de disminuir la presión excesiva ejercida por el motor sobre las hojas.

Los valores de estas funciones pueden regularse según sus propias exigencias llevando a cabo el siguiente procedimiento y utilizando un transmisor que tenga, como mínimo, un botón memorizado en la Central.

Nota – Durante la ejecución de este procedimiento, cada vez que se pulse un botón, la luz intermitente destellará una vez.

- 01.** Mantenga pulsado simultáneamente durante **5 segundos** como mínimo los botones "T1" y "T2" en el transmisor; posteriormente, suéltelos.
En la Central destellarán los dos Leds (verde y rojo) que señalan que se ha entrado en la "programación de las funciones" (los Leds seguirán destellando durante toda la programación).
- 02.** Mantenga pulsado durante **1 segundo** como mínimo un botón del transmisor que esté memorizado en la Central (el Led verde destellará una vez).
- 03.** Posteriormente, elija una de las cuatro funciones disponibles y mantenga pulsado **1 segundo** como mínimo el botón del transmisor que esté asociado a la función escogida (el Led verde destellará una vez):
 - **Cierre automático de las hojas** = (pulse el botón "T1")
 - **Velocidad del movimiento de las hojas** = (pulse el botón "T2")
 - **Sensibilidad de las hojas hacia los obstáculos** = (pulse el botón "T3")
- **Descarga de la presión de las hojas** = (pulse el botón "T4")
- 04.** Por último, observando la **Tabla 4**, elija en correspondencia de la función escogida el valor deseado y pulse en el transmisor durante **1 segundo** como mínimo el botón que esté asociado al valor escogido (los Leds verde y rojo emitirán 1 destello corto de confirmación).

TABLA 4

CIERRE AUTOMÁTICO de las hojas

- Ningún cierre → (pulse el botón "T1")
- Cierre después de 15 segundos → (pulse el botón "T2")
- Cierre después de 30 segundos → (pulse el botón "T3")
- Cierre después de 60 segundos → (pulse el botón "T4")

VELOCIDAD DEL MOVIMIENTO de las hojas

- Baja → (pulse el botón "T1")
- Medio baja → (pulse el botón "T2")
- Medio alta → (pulse el botón "T3")
- Alta → (pulse el botón "T4")

SENSIBILIDAD de las hojas HACIA LOS OBSTÁCULOS

- Alta → (pulse el botón "T1")
- Medio alta → (pulse el botón "T2")
- Medio baja → (pulse el botón "T3")
- Baja → (pulse el botón "T4")

DESCARGA DE LA PRESIÓN de las hojas

- Ninguna descarga → (pulse el botón "T1") (*)
- Mínima → (pulse el botón "T2")
- Mediana → (pulse el botón "T3")
- Máxima → (pulse el botón "T4")

Notas de la Tabla 4:

- (*) Se aconseja no configurar NUNCA este valor.
- En la Tabla se indican los valores disponibles para cada una de las 4 funciones especiales y el botón que hay que pulsar en el transmisor para seleccionar dicho valor.
- El color gris indica los valores configurados en fábrica.
- Al volver la corriente eléctrica después de un corte, el primer movimiento accionado será ejecutado por la automatización a la velocidad lenta, independientemente del tipo de velocidad regulada.

11 – MEMORIZACIÓN DE UN TRANSMISOR NUEVO CON EL PROCEDIMIENTO "CERCANO" DE LA CENTRAL [con un transmisor memorizado]

Es posible memorizar un NUEVO transmisor en la memoria de la Central sin tener que pulsar directamente el botón "P1" de la misma Central, sino actuando simplemente en su radio de recepción. Para llevar a cabo el procedimiento, es necesario tener a disposición un transmisor VIEJO ya memorizado y que funcione. El procedimiento permitirá que el transmisor NUEVO reciba las configuraciones del transmisor VIEJO.

Advertencia – El procedimiento debe hacerse trabajando en el radio de recepción del receptor (10-20 m como máximo del receptor).

- 01.** En el NUEVO transmisor, mantenga pulsado durante **5 segundos** el botón que se desee memorizar y, posteriormente, suéltelo.
- 02.** En el VIEJO transmisor, pulse lentamente **3 veces** el botón con el mando que se desee memorizar en el otro transmisor.e.
- 03.** En el transmisor NUEVO, pulse **1 vez** el mismo botón que había pulsado en el punto 01.

Nota – El procedimiento debe repetirse para cada botón que se desee memorizar.

12 – CANCELACIÓN DE LOS DATOS DE LA MEMORIA DE LA CENTRAL

Los datos presentes en la memoria de la Central se pueden cancelar individual o totalmente. A tal fin, se pueden utilizar los siguientes procedimientos:

- Cancelación de un mando en un Transmisor memorizado
- Cancelación de los demás datos memorizados en la Central

Cancelación de un mando en un Transmisor memorizado

El siguiente procedimiento permite cancelar de la **memoria** de la Central un mando asignado a un botón del transmisor.

Nota – Durante el procedimiento el Led rojo y el Led verde permanecerán encendidos con luz fija.

- 01.** Mantenga pulsado durante más de **10 segundos** el botón “**P1**” en la Central: primero se encenderá el Led **verde**, después de 5 segundos se encenderá el Led **rojo** y, por último, ambos Leds, señalando que la Central se encuentra en modalidad “cancelación memoria” (**¡ATENCIÓN! – no suelte el botón “P1”**).
- 02.** Sin soltar el botón “**P1**”, pulse en el transmisor el botón que se desee cancelar: si la Central reconoce esta operación, el Led **verde** emitirá un destello corto y, entonces, se podrán soltar los botones “**P1**” y aquel del transmisor.

Cancelación de los demás datos memorizados en la Central

El siguiente procedimiento permite cancelar de la **memoria** de la Central los diferentes tipos de datos memorizados, tal como indicado en la **Tabla 5**.

Nota – Durante el procedimiento el Led rojo y el Led verde permanecerán encendidos con luz fija.

- 01.** Mantenga pulsado durante más de **10 segundos** el botón “**P1**” de la Central: primero se encenderá el Led **verde**, después de 5 segundos se encenderá el Led **rojo** y, por último, ambos Leds, señalando que la Central se encuentra en modalidad “cancelación memoria”. Posteriormente, suelte el botón.
- 02.** Observando la **Tabla 5**, elija el tipo de dato que se desea cancelar y pulse el botón “**P1**” la misma cantidad de veces indicada entre paréntesis (*cada vez que se pulse el botón “P1”, el Led verde destellará una vez*).
- 03.** Después de 5 segundos de haber pulsado el botón “**P1**”, si la cancelación es correcta, ambos Leds (rojo y verde) destellarán rápidamente (*¡memoria cancelada!*).
Nota – Antes de que se concluya la cancelación, hay un margen de tiempo de 5 segundos para poder volver atrás; en dicho tiempo se puede salir del procedimiento sin cancelar ningún dato, pulsando 5 veces el botón “**P1**”.

¡IMPORTANTE! – Después de haber cancelado la “**Memoria de las posiciones 0 y 1**” y la “**Memoria TOTAL**”, habrá que llevar a cabo un nuevo procedimiento **9.1 – “Memorización de los dispositivos conectados por medio del cable Bus y de las posiciones de fin de carrera 0 y 1 de las hojas”**.

TABLA 5

- Memoria de los valores de las Funciones Opcionales (**1 presión**)
- Memoria de las posiciones “0” y “1” (**2 presiones**)
- Memoria de los Transmisores (**3 presiones**)
- Memoria TOTAL (**4 presiones**) *Nota – cancela en una sola vez las primeras tres memorias*



Trabajos reservados a un técnico cualificado

¡ATENCIÓN! – Todas las operaciones contenidas en este recuadro deben ser llevadas a cabo exclusivamente por personal cualificado y experto, respetando las instrucciones del manual, las leyes y las normativas de seguridad locales vigentes.

CONEXIÓN DE LA AUTOMATIZACIÓN A LA RED ELÉCTRICA CON UN CABLE DIFERENTE DE AQUEL SUMINISTRADO

¡ATENCIÓN! – Una conexión incorrecta podría provocar averías o situaciones peligrosas; por consiguiente, respete escrupulosamente las conexiones indicadas en este párrafo.

Si la distancia de la cancela a la toma de la red eléctrica fija fuera superior a la longitud del cable de alimentación suministrado, dicho cable se podrá sustituir con una línea eléctrica protegida y adecuada para las circunstancias.

A tal fin, utilice un cable de alimentación de 3 x 1,5 mm² y que mida menos de 30 m de longitud. Para longitudes mayores, utilice un cable de sección mayor: por ejemplo 3 x 2,5 mm², con puesta a tierra de seguridad cerca de la automatización. Posteriormente, proceda de la siguiente manera:

Para conectar el nuevo cable a la Central:

01. Fig. A:

- Desenrosque el tornillo colocado en la parte superior de la tapa, utilizando un destornillador en estrella.
- Coloque dos dedos sobre las dos cavidades presentes en la parte trasera del motorreductor y levante la tapa tirándola hacia arriba, haciendo palanca sobre la base sobre la que está apoyado este último.

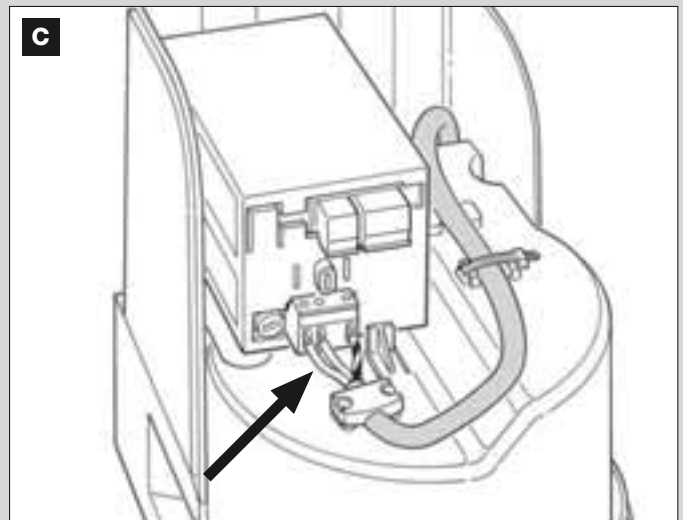
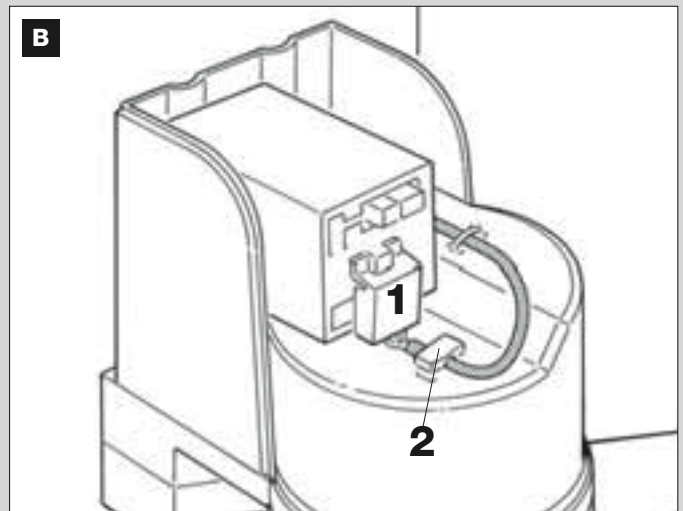


02. Figs. B y C - Con un destornillador en estrella, desenrosque los tornillos de la tapa de la regleta (**fig. B-1**) y del prensaestopas (**fig. B-2**) para dejar libre el cable de alimentación que se ha de sustituir y elimínelo. Posteriormente, introduzca el cable de alimentación nuevo por

el agujero presente en la parte inferior del motorreductor y conecte los hilos del cable a la regleta, respetando los símbolos presentes.

Nota – para conectar fácilmente los hilos eléctricos, extraiga la regleta de su alojamiento.

- hilo eléctrico **Marrón**, a conectar a la “Fase”;
- hilo eléctrico **Azul**, a conectar al “Neutro”;
- hilo eléctrico **Amarillo-verde**, a conectar a “Tierra”.



03. Por último, coloque nuevamente el prensaestopas y la tapa de la regleta y cierre el motorreductor con su tapa.

Para conectar el nuevo cable a la red eléctrica:

¡Atención! – Cuando haga esta conexión, en la línea de alimentación (entre la automatización y la red eléctrica) instale un dispositivo de protección contra los cortocircuitos.

En la misma línea también es necesario instalar un dispositivo de desconexión de la alimentación (con categoría de sobretensión III, es decir, con una distancia entre los contactos de 3 mm como mínimo), o bien otro sistema equivalente (por ejemplo, un tomacorriente con su enchufe).

Este dispositivo garantizará, en caso de necesidad, una desconexión rápida y segura de la alimentación; por lo tanto, debe montarse en una posición de la automatización que esté a la vista. Por el contrario, si se lo montara en una posición lejana, o en una posición que no sea bien visible, habrá que instalar un sistema que bloquee una conexión accidental o no autorizada de la alimentación, a fin de evitar cualquier situación peligrosa.

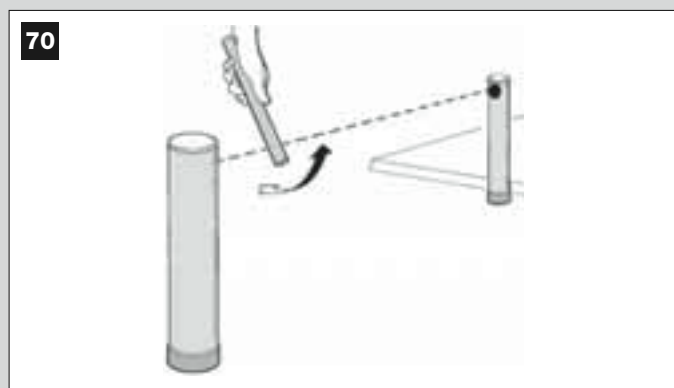
Nota – El dispositivo de desconexión no se entrega junto con el producto.

ENSAYO Y PUESTA EN SERVICIO DE LA AUTOMATIZACIÓN

Estas son las etapas más importantes en la realización de la automatización para garantizar la seguridad máxima de la instalación. El procedimiento de ensayo descrito también puede llevarse a cabo para comprobar periódicamente los dispositivos que componen la automatización. El ensayo y la puesta en servicio de la automatización deben ser realizados por personal cualificado y experto que deberá establecer los ensayos necesarios para verificar las soluciones adoptadas para los riesgos presentes, y deberá controlar que se respeten las leyes, normativas y reglamentos, especialmente todos los requisitos de la norma EN 12445 que establece los métodos de ensayo de las automatizaciones para cancelas.

ENSAYO DE LA AUTOMATIZACIÓN

- 1 Controle que se hayan respetado estrictamente las indicaciones dadas en el 1º PASO en materia de seguridad.
- 2 Utilizando el transmisor, efectúe pruebas de cierre y de apertura de la cancela, controlando que el movimiento de la hoja sea el previsto. Conviene llevar a cabo varios ensayos para controlar el deslizamiento de la cancela y comprobar los posibles defectos de montaje, o de regulación, así como la presencia de puntos de fricción.
- 3 Controle uno por uno el funcionamiento correcto de todos los dispositivos de seguridad montados en la instalación (fotocélulas, bandas sensibles, etc.). **Fotocélulas:** haga intervenir el dispositivo durante la *Apertura* o el *Cierre*, y controle que la Central detenga el movimiento y ejecute una inversión total del movimiento (la luz intermitente emitirá 2 destellos y los repetirá de nuevo). **Bandas sensibles:** haga intervenir el dispositivo durante la *Apertura* o el *Cierre* y controle que la Central detenga el movimiento y ejecute una inversión total del movimiento (la luz intermitente emitirá 4 destellos y los repetirá de nuevo).
- 4 Controle que no haya interferencias entre las fotocélulas y otros dispositivos, pasando un cilindro (5 cm de diámetro, 30 cm de longitud) por el eje óptico que une el par de fotocélulas (**fig. 70**): primero pase el cilindro cerca de la fotocélula transmisora TX, después cerca de la receptora RX y, por último, por el centro entre las dos fotocélulas. Compruebe que el dispositivo se accione siempre, pasando del estado activo al estado de alarma y viceversa; por último, compruebe que en la central provoque la acción prevista (por ejemplo la inversión del movimiento durante el *Cierre*).
- 5 Mida la fuerza de impacto de acuerdo con cuanto previsto por la norma EN 12445 y, de ser necesario, si el control de la "fuerza del motor" se utilizara para ayudar al sistema para reducir la fuerza de impacto, pruebe y, por último, determine la regulación que dé los mejores resultados.
- 6 Accione una maniobra de Cierre y controle la fuerza de impacto de la hoja contra el tope del fin de carrera mecánico. De ser necesario, descargue la presión para lograr una regulación que dé los mejores resultados.



PUESTA EN SERVICIO DE LA AUTOMATIZACIÓN

La puesta en servicio puede llevarse a cabo sólo después de haber efectuado correctamente todas las etapas de ensayo. No está admitida la puesta en servicio parcial o en situaciones "precarias".

- 1 Realice el expediente técnico de la automatización que deberá incluir los siguientes documentos: un dibujo de conjunto (véase el ejemplo de la **fig. 8**), el esquema de las conexiones eléctricas hechas (véase el ejemplo de la **fig. 26**), el análisis de los riesgos y soluciones adoptadas (véase en la página web www.moovo.com los formularios a cumplimentar), la declaración de conformidad del fabricante de todos los dispositivos utilizados y la declaración de conformidad cumplimentada por el instalador (véase en la sección "DOCUMENTACIÓN TÉCNICA").
- 2 Aplique en la cancela una placa con los siguientes datos: tipo de automatización, nombre y dirección del fabricante (responsable de la "puesta en servicio"), número de matrícula, año de fabricación y marca "CE".
- 3 Cumplimente y entregue al dueño de la automatización la declaración de conformidad; a tal fin, deberá cumplimentar el formulario "**Declaración de conformidad CE**" presente en la sección "DOCUMENTACIÓN TÉCNICA".
- 4 Cumplimente y entregue al dueño de la automatización el documento "**Manual de uso**" presente en la sección "DOCUMENTACIÓN TÉCNICA".
- 5 Cumplimente y entregue al dueño de la automatización el documento "**Plan de mantenimiento**" presente en la sección "DOCUMENTACIÓN TÉCNICA", donde se encuentran las prescripciones sobre el mantenimiento de todos los dispositivos de la automatización.
- 6 Antes de poner en servicio la automatización, informe adecuadamente al dueño sobre los peligros y riesgos presentes.

TRABAJOS DE MANTENIMIENTO PERIÓDICO

Por lo general, este producto no necesita operaciones de mantenimiento específicas; sin embargo, un control regular permite mantener la instalación en buenas condiciones y asegurar el funcionamiento regular de los sistemas de seguridad instalados.

Por lo tanto, para hacer un mantenimiento correcto, consulte el capítulo "**Plan de Mantenimiento**" presente en la sección "DOCUMENTACIÓN TÉCNICA" al final del manual.

ELIMINACIÓN DEL PRODUCTO

Este producto forma parte integrante de la automatización y, por consiguiente, deberá ser eliminado junto con ésta.

Al igual que para las operaciones de instalación, también al final de la vida útil de este producto las operaciones de desguace deben ser efectuadas por personal experto.

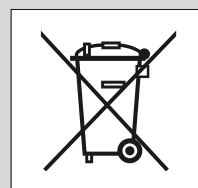
Este producto está formado de varios tipos de materiales: algunos pueden reciclarse y otros deben eliminarse. Infórmese sobre los sistemas de reciclaje o de eliminación previstos por las normativas vigentes locales para esta categoría de producto.

¡Atención! – algunas piezas del producto pueden contener sustancias contaminantes o peligrosas que, si se las abandonara en el medio

ambiente, podrían provocar efectos perjudiciales para el mismo medio ambiente y para la salud humana.

Tal como indicado por el símbolo de aquí al lado, está prohibido arrojar este producto a los residuos urbanos. Realice la "recogida selectiva" para la eliminación, según los métodos previstos por las normativas vigentes locales, o bien entregue el producto al vendedor cuando compre un nuevo producto equivalente.

¡Atención! – las normas locales pueden prever sanciones importantes en el caso de eliminación abusiva de este producto.



CARACTERÍSTICAS TÉCNICAS DE LOS DIFERENTES COMPONENTES DEL PRODUCTO

ADVERTENCIAS:

- El producto XA4... es fabricado por Nice S.p.a. (TV) I. **Moovo** es una marca de Nice S.p.a.
- Todas las características técnicas indicadas se refieren a una temperatura ambiental de 20°C (± 5°C).
- Nice S.p.a. se reserva el derecho de modificar el producto en cualquier momento que lo considere necesario, manteniendo las mismas funcionalidades y el mismo uso previsto.

MOTORREDUCTORES XA4...

Nota – El modelo XA432e incorpora en su interior la Central de mando.

DESCRIPCIÓN	DATOS			
	Mod. XA432		Mod. XA432e	
Alimentación	12 Vdc		230 Vac - 50/60 Hz	
Potencia máxima absorbida (W) del motor	250 W			
Par máximo	150 N			
Par nominal	70 N			
Velocidad en vacío	<i>lento</i> 4,5° / sec	<i>rápido</i> 9° / sec	<i>lento</i> 4,5° / sec	<i>rápido</i> 9° / sec
Velocidad nominal	3° / sec	6° / sec	3° / sec	6° / sec
Ciclos/h con el par nominal (20°)	8			
Frecuencia máxima de los ciclos de funcionamiento continuo	5			
Temp. de funcionamiento	- 20 / + 50° C			
Dimensiones	253 x 155 h x 235 mm			
Peso	6.2 kg		6.3 kg	
Grado de protección	IP 44			
Durabilidad estimada (*)	de 50.000 a 100.000 ciclos de maniobras			

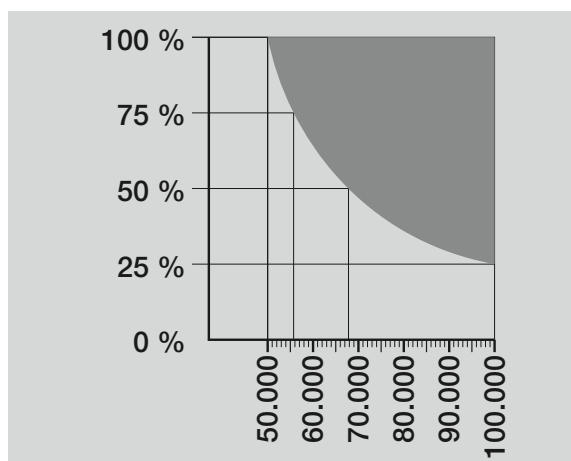
(*) **Nota** – La durabilidad estimada del producto está comprendida entre 50.000 y 100.000 ciclos de maniobras. Para establecer la durabilidad de su automatización, proceda de esta manera:

a) – evalúe las condiciones de utilización y la fuerzas presentes en la instalación, por ejemplo...

- el peso y la longitud de la hoja;
- el equilibrado perfecto de la hoja;
- las condiciones de mantenimiento de los goznes de la hoja;
- el tipo de hoja: ciega o con muchas aberturas;
- presencia de viento fuerte;
- frecuencia de utilización de la automatización.

b) – obtenga de dicha evaluación un valor indicado en porcentaje que, por lo general, defina el grado mayor o menor de desgaste de la automatización.

c) – determine en el gráfico de aquí al lado el porcentaje estimado (en el punto "b") y lea en correspondencia de éste el número de ciclos de maniobras.



LUZ INTERMITENTE MF

DESCRIPCIÓN	DATOS
Tipo	Luz de señalización intermitente para automatizaciones de cancelas y portones
Tecnología adoptada	Señal luminosa con bombilla accionada desde las Centrales Moovo con sistema "Bus" para automatización
Bombilla	12V 21W conexión BA15 (bombilla para automóviles)
Alimentación	El dispositivo debe conectarse al borne "Bus" de las Centrales Moovo para automatizaciones
Temperatura ambiente de funcionamiento	-20 ÷ 50°C
Empleo en atmósfera ácida, salobre o con riesgo de explosión	No
Montaje	Vertical sobre un plano, u horizontal en la pared
Grado de protección	IP 44
Dimensiones	135 x 120h x 110 mm
Peso	340 g

TRANSMISOR MT4

DESCRIPCIÓN	DATOS
Tipo	Transmisores para accionar automatizaciones de cancelas y portones
Tecnología adoptada	Modulación codificada AM OOK radio
Frecuencia	433.92 MHz (\pm 100 kHz)
Codificación	Rolling code con código de 64 Bitios (18 billones de combinaciones)
Botones	4, cada botón puede utilizarse para los diferentes mandos de la misma Central o de Centrales diferentes
Potencia irradiada	1 dBmW e.r.p.
Alimentación	3V +20% -40% con 1 batería de Litio tipo CR2032
Duración de las baterías	3 años, estimada sobre una base de 10 mandos/día de 1s de duración a 20°C (con temperaturas bajas disminuye la eficiencia de las baterías)
Temperatura ambiente de funcionamiento	-20°C ÷ 50°C
Empleo en atmósfera ácida, salobre o con riesgo de explosión	No
Grado de protección	IP 40 (uso en interiores o ambientes protegidos)
Dimensiones	40 x 70h x 8 mm
Peso	25 g
Alcance	estimado en 200 m en exteriores; 35 m en el interior de edificios (*)

(*) El alcance de los telemandos y la capacidad de recepción de los Receptores dependen de otros dispositivos (por ejemplo: alarmas, radioauriculares, etc..) que funcionen en la zona con la misma frecuencia. Por consiguiente, si hubiera interferencias, Nice no ofrece ninguna garantía sobre el alcance real de sus dispositivos

FOTOCÉLULAS MP

DESCRIPCIÓN	DATOS
Tipo	Detector de presencia para automatizaciones de cancelas y portones (tipo D según la norma EN 12453) formado de un par de transmisor "TX" y receptor "RX"
Tecnología adoptada	Óptica, mediante interpolación directa TX-RX con rayo infrarrojo modulado
Capacidad de detección	Objetos opacos situados en el eje óptico entre TX y RX con dimensiones mayores que 50 mm y velocidad menor que 1,6 m/s
Ángulo de transmisión TX	20° aprox.
Ángulo de recepción RX	20° aprox.
Alcance útil	Hasta 7 m para una desalineación entre TX y RX máxima de $\pm 4^\circ$ (el dispositivo puede señalar un obstáculo también en el caso de condiciones meteorológicas muy severas)
Alimentación / Salida	El dispositivo puede conectarse a redes "Bus" Moovo desde las que obtiene la alimentación eléctrica y envía las señales de salida
Potencia absorbida	450mW en funcionamiento; 40mW en stand by
Longitud máxima de los cables	Hasta 20 m (respeta las advertencias para la sección mínima y el tipo de cable)
Posibilidad de direccionamiento	Hasta 6 detectores con función de protección y hasta 4 con función de mando de apertura. La sincronización automática evita la interferencia entre los diferentes detectores.
Temperatura ambiente de funcionamiento	-20 ÷ 50°C
Empleo en atmósfera ácida, salobre o con riesgo de explosión	No
Montaje	Vertical sobre un plano, u horizontal en la pared
Grado de protección	IP 44
Dimensiones	50 x 85h x 35 mm
Peso (par)	140 g

BOTONERA MK

DESCRIPCIÓN	DATOS
Tipo	Botonera de 5 botones con posibilidad de accionar la automatización con y sin la inserción de combinaciones
Tecnología adoptada	Posibilidad de insertar un código de activación de hasta 10 cifras (más de 1 millón de combinaciones posibles)
Alimentación / Salida	El dispositivo puede conectarse a redes "Bus" Moovo desde las que obtiene la alimentación eléctrica y envía las señales de salida
Potencia absorbida	120mW en funcionamiento; 45mW en stand by
Temperatura ambiente de funcionamiento	-20 ÷ 50°C
Empleo en atmósfera ácida, salobre o con riesgo de explosión	No
Montaje	Vertical en la pared
Grado de protección	IP 44
Dimensiones	50 x 85h x 35 mm
Peso	80 g

QUÉ HACER SI... (guía para resolver los problemas)

Durante il regolare funzionamento, la Centrale tiene costantemente sotto controllo i processi dell'automazione ed è in grado di segnalare eventuali anomalie. Durante el funcionamiento regular, la Central mantiene constantemente bajo control los procesos de la automatización y señala posibles desperfectos mediante secuencias predeterminadas de destellos de la luz intermitente y del Led rojo "L1" presente en la Central (los destellos de diagnósticos se refieren siempre a la última acción llevada a cabo por la automatización). Para saber la relación entre el número de destellos emitidos y el motivo que los ha causado, consulte la siguiente **Tabla 6**:

TABLA 6		
Destellos	Problema	Resolución
2 destellos - <i>pausa</i> - 2 destellos	Durante la <i>Apertura</i> o el <i>Cierre</i> las hojas se bloquean o invierten el movimiento que se está ejecutando.	Este comportamiento depende de la intervención de un par específico de fotocélulas montado en la instalación, que detecta un obstáculo. Quite el obstáculo colocado en la trayectoria de dichas fotocélulas.
3 destellos - <i>pausa</i> - 3 destellos	<ul style="list-style-type: none"> • Durante la <i>Apertura</i> o el <i>Cierre</i> las hojas se bloquean improvisamente y la Central ejecuta la inversión total del movimiento que se está ejecutando, alcanzando el fin de carrera. • Durante la <i>Apertura</i> o el <i>Cierre</i> la Central bloquea improvisamente el movimiento y ejecuta una primera inversión <i>parcial</i> del movimiento que se está ejecutando, sin alcanzar el fin de carrera, y, posteriormente, ejecuta otras dos inversiones, bloqueando definitivamente el movimiento. 	Las hojas han encontrado más fricción a causa de un obstáculo imprevisto (una ráfaga de viento, un vehículo, una persona, etc.). Si fuera necesario regular su sensibilidad hacia los obstáculos, consulte el capítulo " Regulaciones y otras funciones opcionales ".
4 destellos - <i>pausa</i> - 4 destellos	Durante la <i>Apertura</i> o el <i>Cierre</i> las hojas se bloquean improvisamente y la Central ejecuta un "Stop" seguido de una breve inversión del movimiento.	Los dispositivos de seguridad instalados (no las fotocélulas, por ejemplo pueden ser, las bandas sensibles) han detectado un obstáculo imprevisto. Quite el obstáculo.
5 destellos - <i>pausa</i> - 5 destellos	La automatización no responde a los mandos enviados.	Hay un error en la configuración del sistema. Repita la instalación.
6 destellos - <i>pausa</i> - 6 destellos	Después de una serie de movimientos accionados consecutivamente, la automatización se bloquea.	Se ha superado el límite máximo admitido de maniobras consecutivas y, por ello, se ha generado un recalentamiento excesivo. Espere algunos minutos hasta que la temperatura vuelva a estar por debajo del límite máximo predeterminado.
7 destellos - <i>pausa</i> - 7 destellos	La automatización no responde a los mandos enviados.	Hay una avería en los circuitos eléctricos internos. Desconecte todos los circuitos de alimentación; espere algunos segundos y conéctelos de nuevo. Active un nuevo mando y si la automatización no responde, significa que hay una avería grave en la tarjeta eléctrica de la Central o en los cables del motor. Lleve a cabo los controles y las sustituciones necesarias.
8 destellos - <i>pausa</i> - 8 destellos	La automatización no responde a los mandos enviados.	Hay una avería en los circuitos eléctricos del "Bus". Controle, uno por uno, el funcionamiento de los dispositivos conectados. Dichos dispositivos podrían estar en cortocircuito o podrían funcionar mal.

INHALTSVERZEICHNIS

SICHERHEITSHINWEISE UND MAßNAHMEN:

SCHRITT 1

– Sicher arbeiten!	4
– Hinweise zur Installation	4

KENNTNIS DES PRODUKTES UND VORBEREITUNG ZUR INSTALLATION

SCHRITT 2

2.1 - Produktbeschreibung und Einsatz	5
2.2 - Komponenten einer kompletten Anlage	5

SCHRITT 3

Überprüfungen vor der Installation	6
3.1 - Die Eignung der Umgebung und des Tors überprüfen	6
3.2- Die Einsatzgrenzen des Produktes überprüfen	6

SCHRITT 4

4.1 - Vorbereitungen	7
- 4.1.1 - Typische Anlage	7
- 4.1.2 - Festlegen der Position der verschiedenen Komponenten	7
- 4.1.3 - Bestimmen, nach welchem Plan die Vorrichtungen angeschlossen werden	7
- 4.1.4 - Überprüfen der zur Arbeit notwendigen Geräte	8
- 4.1.5 - Durchführen der Vorbereitungen	8
4.2 - Vorbereitung der elektrokabel	8

INSTALLATION: MONTAGE UND ANSCHLUSS DER KOMPONENTEN

SCHRITT 5

5.1 - Die Komponenten der Automatisierung installieren	10
5.2 - Einstellung des mechanischen Endschalters in Öffnung	12

SCHRITT 6

– Durchführung der Installation und des elektrischen Anschlusses der Vorrichtungen der Anlage an der Steuerung	13
6.1 - Einstellung der Öffnungsreihenfolge der Torflügel	14
6.2 - Installation und Anschluss des Antriebs ohne Steuerung	16
6.3 - Installation und Anschluss der Blinkleuchte/Leuchtanzeige Mod. MF	17
6.4 - Installation und Anschluss der PHOTOZELLEN Mod. MP	19
– Auswahl des Betriebsmodus des Photozellenpaars	20
6.5 - Installation und Anschluss der Tastatur Mod. MK	21
6.6 - Installation der Pufferbatterie Mod. MB	22

ANSCHLUSS DER VERSORGUNG

SCHRITT 7	23
------------------	----

ERSTES EINSCHALTEN UND ÜBERPRÜFUNG DER ELEKTRISCHEN ANSCHLÜSSE

SCHRITT 8	23
------------------	----

PROGRAMMIERUNG DER AUTOMATION

SCHRITT 9

9.1 - Speicherung der über "Bus"-Kabel angeschlossenen Vorrichtungen und der Endlaufstellungen "0" und "1" der Torflügel	24
9.2 - Speicherung des Senders Mod.MT4	24
9.3 - Programmierung der Tastatur Mod. MK	25

SONSTIGE EINSTELLUNGEN UND SONDERFUNKTIONEN

10 - Einstellung der Funktionen der Automation	26
11 - Speicherung eines neuen Senders mit dem Verfahren in der Nähe der Steuerung	26
12 - Löschen der Daten aus dem Speicher der Steuerung	27

DEM FACHTECHNIKER VORBEHALTENE TÄTIGKEITEN

– Anschluss der Automation am Stromnetz mit einem anderen Kabel als dem Mitgelieferten	28
– Abnahme und Inbetriebsetzung der Automation	29
– Entsorgung des produktes	29

TECHNISCHE MERKMALE DER VERSCHIEDENEN KOMPONENTEN DES PRODUKTES

30

WAS TUN, WENN... (Leitfaden zum Lösen von Problemen)

32

Anlagen: "TECHNISCHE DOKUMENTATION"

I-VII

SCHRITT 1

SICHER ARBEITEN!

- ⚠ Achtung – für die Sicherheit von Personen ist es wichtig, die vorliegenden Anweisungen zu beachten.**
- ⚠ Achtung – für die Sicherheit wichtige Anweisungen: diese Anweisungen daher aufbewahren.**

Die Planung und Fertigung der Vorrichtungen, aus denen das Produkt besteht, sowie die im vorliegenden Handbuch enthaltenen Informationen entsprechen voll den gültigen Sicherheitsvorschriften. Dennoch können die Personen, die die Arbeit ausführen, und die Benutzer der Anlage durch eine falsche Installation und Programmierung schwer verletzt werden. Aus diesem Grund sind bei der Installation alle im vorliegenden Handbuch enthaltenen Anweisungen genauestens zu befolgen.

Führen Sie die Installation nicht aus, wenn Sie Zweifel haben: verlangen Sie beim Moovo Kundendienst genauere Auskünfte.

Sollten Sie zum ersten Mal eine Drehtorautomatisierung realisieren, bitten wir Sie, dem Lesen dieses Handbuchs etwas Zeit zu widmen. Tun Sie das möglichst vor Arbeitsbeginn, haben Sie keine Eile, mit den praktischen Arbeiten zu beginnen.

Halten Sie alle Vorrichtungen, aus denen das Produkt besteht, zur Hand, so dass Sie beim Lesen alle Informationen im Handbuch direkt überprüfen können (mit Ausnahme der Programmierung).

Beachten Sie beim Lesen dieses Handbuchs vor allem die Anweisungen mit dem Symbol:



Diese Symbole weisen auf Argumente hin, die eine potentielle Gefahrenquelle sein können; daher dürfen solche Vorgänge ausschließlich von erfahrem Fachpersonal unter Einhaltung der vorliegenden Anweisungen und der in Ihrem Land gültigen Sicherheitsvorschriften ausgeführt werden.

⚠ HINWEISE ZUR INSTALLATION

Gemäß der neuesten europäischen Gesetzgebung muss die Realisierung eines automatischen Tors bzw. einer automatischen Tür unter Einhaltung der Normen in der Richtlinie 98/37/CE (Maschinenrichtlinie) und insbesondere der Normen EN 12445; EN 12453; EN 12635 e EN 13241-1 erfolgen, die es ermöglichen, die vermutliche Konformität der Automation zu erklären.

Unter Berücksichtigung des Obigen,

müssen der endgültige Anschluss des Automatismus am Stromnetz, die Abnahme der Anlage, ihre Inbetriebsetzung und die periodische Wartung durch qualifiziertes und erfahrenes Personal unter Einhaltung der Angaben in "Dem Fachtechniker vorbehaltene Tätigkeiten" ausgeführt werden. Dieser hat auch die erforderlichen Tests je nach vorhandenem Risiko festzulegen und die Einhaltung des von Gesetzen, Vorschriften und Verordnungen Vorgesehenen zu überprüfen, und insbesondere die Einhaltung aller Anforderungen der Norm EN 12445, in der die Testmethoden zur Überprüfung von Torautomatismen festgelegt sind.

Alle Arbeiten wie anfängliche Vorbereitung, Installation und Programmierung können auch durch nicht besonders qualifiziertes Personal ausgeführt sein. Bedingung ist, dass alle Anweisungen im vorliegenden Handbuch und insbesondere die Hinweise im vorliegenden SCHRITT 1 genauestens befolgt und in der angegebenen Reihenfolge ausgeführt werden.

Führen Sie folgende Analysen und Überprüfungen aus, bevor Sie die Installation beginnen:

– Prüfen Sie, dass die einzelnen Vorrichtungen der Automation für die Anlage geeignet sind, die Sie realisieren wollen. Kontrollieren Sie diesbezüglich die Angaben in Par. "Technische Merkmale" besonders genau. Führen Sie die Installation nicht aus, wenn auch nur eine dieser Vorrichtungen nicht geeignet ist.

– Prüfen Sie, dass die mit dem Kit gelieferten Vorrichtungen ausreichen, um die Sicherheit der Anlage und ihre Funktionalität zu gewährleisten.

– Vor der Installation ist die Risikoanalyse auszuführen, die auch die Liste der wesentlichen Sicherheitsanforderungen, angegeben in "Anlage I der Maschinenrichtlinie" einschließen und die jeweiligen, angewendeten Lösungen angeben muss. Die Risikoanalyse ist eine der Unterlagen ist, die Bestandteil der "Technischen Dokumentation" der Automatisierung sind. Die "Technische Dokumentation" muss von einem Fachinstallateur verfasst sein.

Unter Berücksichtigung der Risiken, die bei der Installation und der Bedienung des Produktes auftreten können, muss die Automation unter Beachtung der folgenden Hinweise installiert werden:

– Führen Sie nur die Änderungen am Automatismus aus, die im vorliegenden Handbuch vorgesehen sind. Vorgänge dieser Art werden nur Betriebsstörungen verursachen. Der Hersteller übernimmt keinerlei Haftung für Schäden, die durch willkürlich veränderte Produkte entstanden sind.

– Vermeiden Sie, dass Teile der Komponenten der Automation in Wasser oder andere Flüssigkeiten getaucht werden. Verhindern Sie während der Installation, dass solche Flüssigkeiten in den Antrieb und die vorhandenen Vorrichtungen eindringen können.

– Sollten Flüssigkeiten in die Teile der Komponenten der Automation eingedrungen sein, trennen Sie die Stromversorgung unverzüglich ab und wenden Sie sich an den Moovo Kundendienst. Der Gebrauch der Automation unter diesen Bedingungen kann Gefahren verursachen.

– Halten Sie die verschiedenen Komponenten der Automation nicht in der Nähe von Wärmequellen oder freien Flammen. Solche Handlungen können sie beschädigen und Betriebsstörungen, Brand oder Gefahren verursachen.

– Alle Vorgänge, für die das Öffnen der Schutzgehäuse der verschiedenen Komponenten der Automation notwendig ist, müssen mit von der Versorgung abgeschalteter Steuerung erfolgen. Sollte die Abschaltvorrichtung nicht sichtbar sein, bringen Sie ein Schild mit der folgenden Schrift an: "ACHTUNG! WARTUNG IM GANG".

– Das Produkt kann nicht als wirksames Einbruchschutzsystem betrachtet werden. Wenn Sie sich wirksam schützen wollen, muss die Automation mit weiteren Vorrichtungen ergänzt werden.

– Die Steuerung muss an einer elektrischen Versorgungsleitung mit Sicherheitserdung angeschlossen sein.

– Das Produkt kann ausschließlich benutzt werden, nachdem die "Inbetriebnahme" der Automation ausgeführt wurde, wie in Par. "Abnahme und Inbetriebnahme der Automation" in "Dem Fachtechniker vorbehaltene Tätigkeiten" vorgesehen.

– Das Verpackungsmaterial aller Komponenten der Automation muss unter genauester Einhaltung der örtlichen Vorschriften entsorgt werden.

SCHRITT 2

2.1 – PRODUKTBESCHREIBUNG UND EINSATZ

Das Ganze der Vorrichtungen, aus denen das vorliegende Produkt besteht, dient zur Automatisierung eines zweiteiligen Tors (**Abb. 1a**). Es können auch Tore mit nur einem Torflügel automatisiert werden (**Abb. 1b**).

Jeder andere Einsatz als hier beschrieben und in Umgebungsbedingungen, die anders sind als in SCHRITT 3 angegeben, ist unsachgemäß und verboten!

Die Hauptelemente der Automation sind zwei elektromechanische Antriebe. Jeder Antrieb verfügt über einen 12V Gleichstrommotor und ein Unteretzungsgetriebe mit gerader Zahnung. In einem der Antriebe befindet sich eine Steuerung.

Die Steuerung regelt und speist alle Vorrichtungen der Automation und betreibt ihre Operativität. Sie besteht aus einer Steuerkarte und einem eingebauten Funkempfänger, der die von einem Sender übermittelten Befehle empfängt. Die Steuerung kann auch von einer Wandtastatur oder einem Photozellenpaar (nur auf Öffnung programmiert) geschaltet sein.

Die Steuerung betreibt verschiedenartige Bewegungen. Jede Bewegung ist programmierbar und kann je nach Bedarf verwendet werden.

Weiterhin stehen verschiedene Sonderfunktionen zur Verfügung, um die Parameter der Automation zu personalisieren.

Die Automation ist mit Vorbereitung für verschiedene Zubehörteile, die ihre Funktionalität erhöhen und die Sicherheit garantieren. Insbesondere kann die Steuerung bis zu 150 Tasten von Sendern MT4, bis zu 4 Steuertastaturen MK oder bis zu 4 Photozellenpaare MP (eingestellt nur für den Öffnungsbefehl) speichern.

Die Einbindung der verschiedenen Vorrichtungen erfolgt mit dem "Bus"-System. Dieses System verringert die Schwierigkeiten bei den Verbindungen zwischen den verschiedenen Vorrichtungen, da nur ein Kabel zwischen einer Vorrichtung und der anderen vorgesehen ist.

Das Produkt funktioniert mit Netzstromversorgung. Bei Stromausfall können die Antriebe manuell entriegelt und die Torflügel von Hand bewegt werden.

In diesem Fall kann das Tor auch mit Hilfe der Pufferbatterie (Modell MB) geöffnet werden, falls in der Anlage vorhanden.

2.2 – KOMPONENTEN EINER KOMPLETTEN ANLAGE

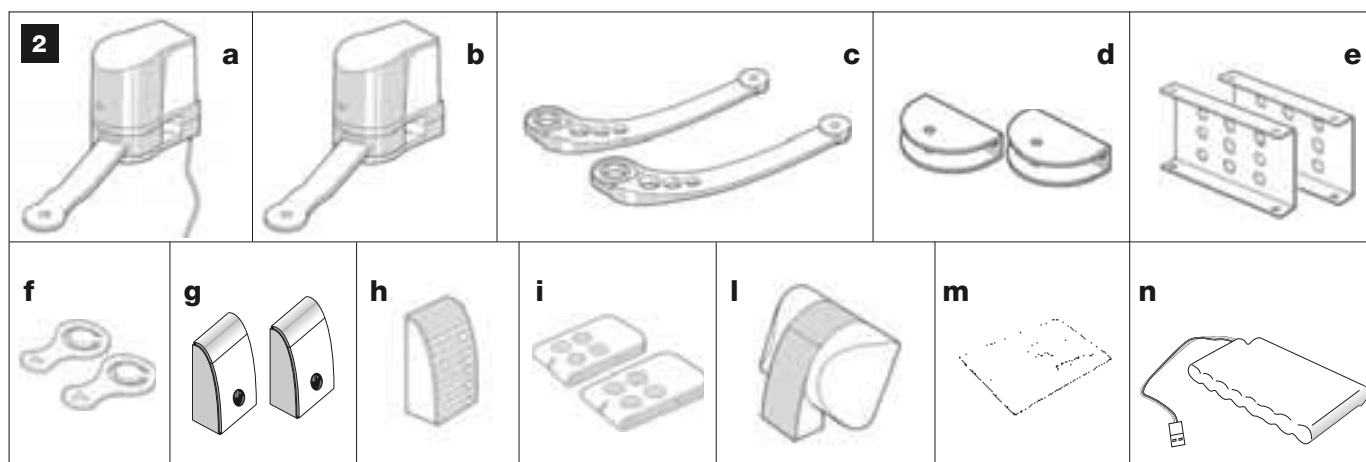
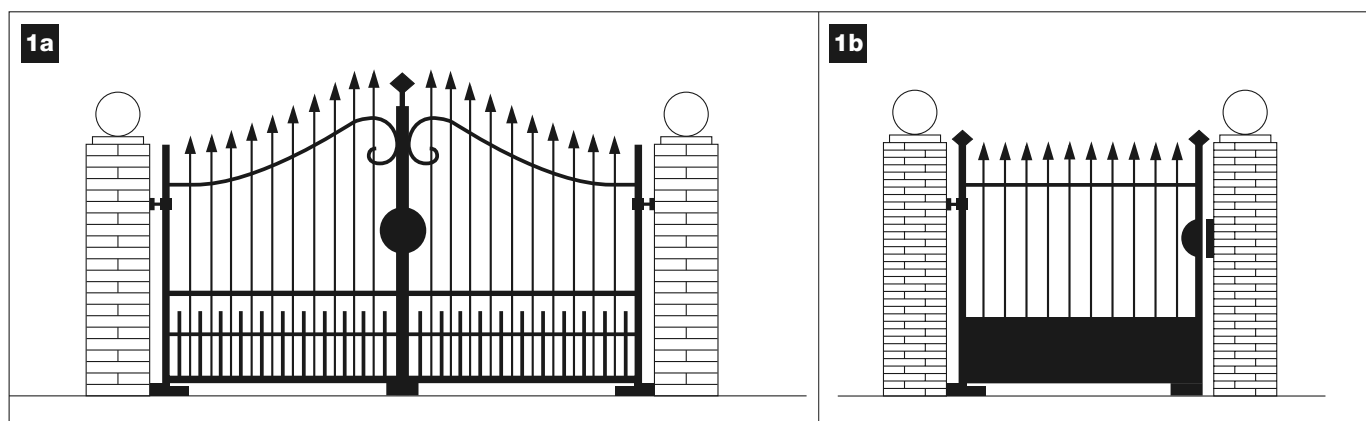
Abb. 2 zeigt alle Komponenten, die für eine komplette Anlage wie die jene in **Abb. 8** nötig sind.

WICHTIGER HINWEIS!

Einige Komponenten in **Abb. 2 sind Optionals und können daher in der Packung nicht vorhanden sein.**

Liste der notwendigen Komponenten:

- [a] - Elektromechanischer Antrieb mit Steuerung
- [b] - Elektromechanischer Antrieb ohne Steuerung
- [c] - Gebogene Arme
- [d] - Vordere Bügel (zur Befestigung der Antriebe am Tor)
- [e] - Hintere Halterungen (zur Befestigung der Antriebe an der Mauer)
- [f] - Schlüssel zur manuellen Entriegelung der Antriebe
- [g] - Paar Photozellen Mod. MP (Wandmontage)
- [h] - Steuertastatur Mod. MK (Wandmontage)
- [i] - Tragbarer Sender Mod. MT4
- [l] - Blinkleuchte/Leuchtanzeige Mod. MF
- [m] - Kleinwaren aus Metall (Schrauben, Unterlegscheiben, usw.)
- [n] - Pufferbatterie Mod. MB



SCHRITT 3

ÜBERPRÜFUNGEN VOR DER INSTALLATION

Vor Installationsbeginn muss geprüft werden, ob Komponenten des Produktes beschädigt und das gewählte Modell und die Umgebung für die jeweilige Installation geeignet sind.

WICHTIG – Die Antriebe können nur ein bereits effizientes und sicheres Tor motorisieren; sie können Defekte aufgrund einer falschen Installation oder schlechten Wartung des Tors selbst nicht beseitigen.

3.1 – DIE EIGNUNG DER UMGEBUNG UND DES TORS ÜBERPRÜFEN

- Prüfen Sie, dass sich die mechanische Struktur des Tors für eine Automatisierung eignet und mit den örtlichen Vorschriften konform ist (beziehen Sie sich ggf. auf die Daten auf dem Schild am Tor).
- Bewegen Sie die Torflügel in *Öffnung* und *Schließung* von Hand und prüfen Sie, ob die Reibung während der gesamten Bewegung immer gleich und konstant ist (es dürfen keine stärkeren Beanspruchungen vorhanden sein).
- Verschieben Sie die Torflügel von Hand in eine beliebige Stellung und lassen Sie diese dann stehen. Prüfen Sie, dass sie sich nicht bewegen.
- Überprüfen Sie, ob an der Stelle, an welcher der Antrieb befestigt wird, genügend Platz für die Drehbewegung des Arms vorhanden ist (Abb. 7).
- Prüfen Sie, ob der Platz um die Antriebe herum ausreicht, um diese einfach und sicher von Hand zu entriegeln.
- Prüfen Sie, ob die für die Installation der verschiedenen Vorrichtungen gewählten Oberflächen solide sind und eine stabile Befestigung garantieren.
- Prüfen Sie, ob jede Vorrichtung, die Sie installieren wollen, in geschützter und stoßsicherer Position angebracht werden kann.
- Prüfen Sie, ob die zur Befestigung der Photozellen gewählten Oberflächen eben sind und eine korrekte Fluchtung zwischen diesen ermöglichen.

3.2 – DIE EINSATZGRENZEN DES PRODUKTES ÜBERPRÜFEN

Um die Antriebe zu installieren, muss ihre hintere Halterung an der Mauer (oder am Torpfosten) und der vordere Bügel, der den Arm trägt, am Torflügel befestigt werden.

Um zu bestimmen, ob sich das Produkt für Ihr Tor und das zu automatisierende Ganze eignet, sind die hier folgenden Überprüfungen auszuführen. Die Konformität sowohl mit den Daten in diesem Paragraph als auch mit den technischen Daten in Kapitel **“Technische Merkmale des Produkts”** überprüfen.

1 – Prüfen Sie, dass sich die Abmessungen und das Gewicht der einzelnen Torflügel innerhalb folgender Grenzwerte befinden, Beziehen Sie sich hierzu auf das **Schaubild 1**:

- **Höchstbreite 1,80 m;**
- **Höchsthöhe 2 m;**
- **Höchstgewicht 250 kg.**

2 – Prüfen Sie, dass sich die Mindest- und die Höchsttemperatur der Installationsumgebung innerhalb der für den betrieb des vorliegenden Produktes festgelegten Temperaturgrenzen befindet. Beziehen Sie sich hierzu auf die technischen Daten im Kapitel **“Technische Merkmale des Produktes”**.

3 – Bestimmen Sie unter Berücksichtigung der Richtung, aus der die elektrische Versorgungsline (falls bereits vorbereitet) zur Anlage zugeführt wird, an welchem Torflügel der Antrieb mit der Steuerung befestigt werden muss.

4 – Prüfen Sie an jedem Torflügel und an der Mauer (oder dem Pfosten) daneben, ob der Platz ausreicht, um den Antrieb anzubringen. Beziehen Sie sich auf die Maße in den **Abb. 3-4-5-6-7** und auf folgende Anmerkungen:

a) Abb. 3: gibt den Platzbedarf insgesamt des Antriebs an.

b) Abb. 4: gibt den Platz auf der Waagerechten an, in dem die hintere Halterung des Antriebs installiert sein muss. Das genaue Maß zur Befestigung dieser Halterung muss unter Bezugnahme auf Punkt 02 in SCHRITT 5 berechnet sein.

c) Abb. 5: gibt das Höchstmaß **“B”** an, das zwischen dem Drehpunkt des Torflügels und der Mauerfläche notwendig ist, auf der die hintere Halterung des Antriebs befestigt wird.

d) Abb. 6: gibt den Platz auf der Senkrechten an, in dem der Antrieb installiert sein muss. Das Maß **“D”** ist die Mindesthöhe ab Boden (es wird ein Mindestmaß von 200 mm ab Boden empfohlen). Das Maß **“C”** (Höchsthöhe ab Boden) hängt von der Höhe Ihres Torflügels ab.

e) Abb. 7: Gibt das Mindestmaß **“E”** (400 mm) an, das zwischen dem Arm des Antriebs und einem eventuellen Hindernis (Mauer, Rand eines Blumenbeets, usw.) notwendig ist, wenn der Torflügel ganz geöffnet ist.
Anmerkung – Dieses Maß muss ab der Mittellinie des Antriebs gemessen werden.

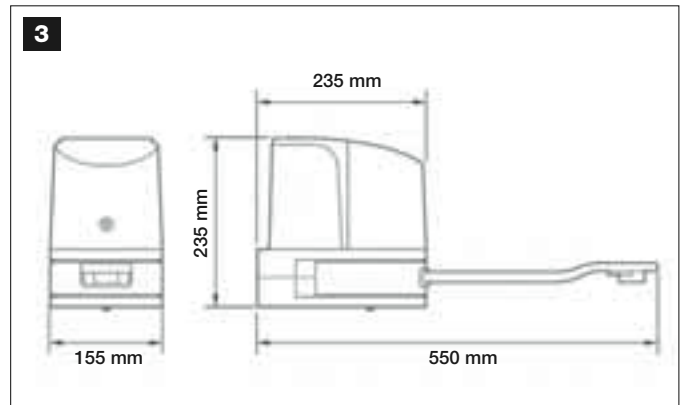
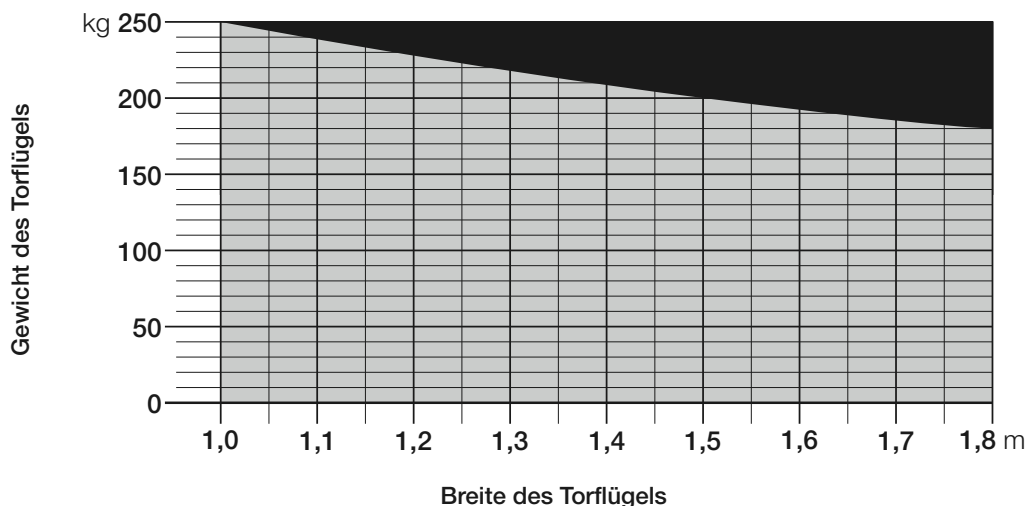
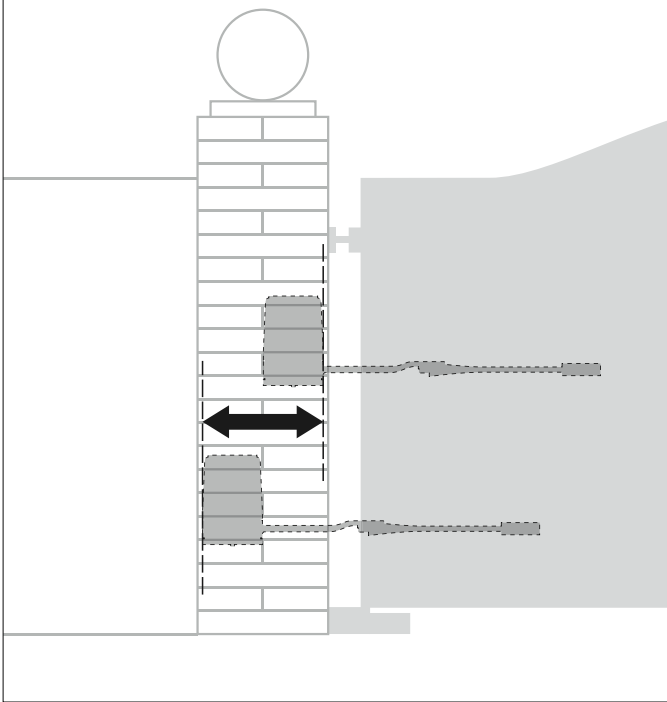


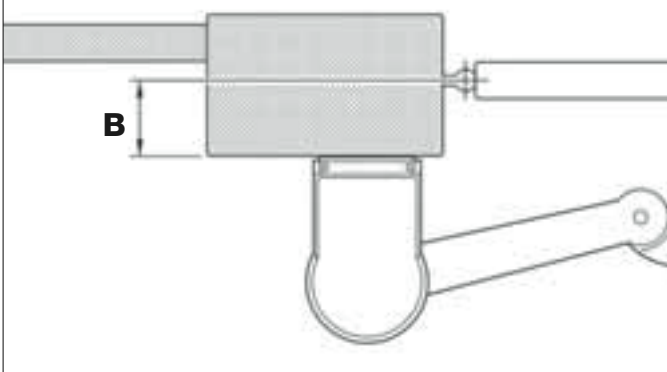
SCHAUBILD 1



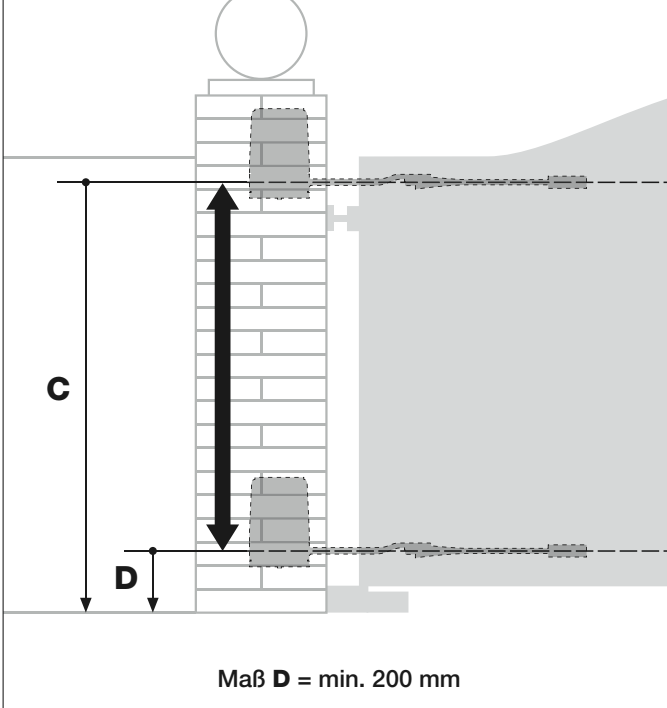
4



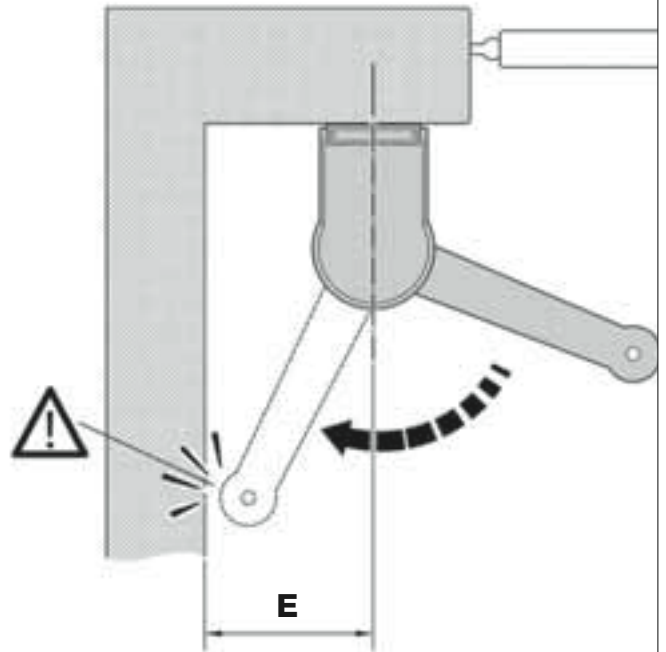
5



6



7



Maß E = min. 400 mm

SCHRITT 4

4.1 – VORBEREITUNGEN

4.1.1 – Typische Anlage

Die Abb. 8 zeigt als Beispiel eine mit den Komponenten von Moovo realisierte Automationsanlage. Diese Komponenten sind wie üblich angebracht und montiert. Die benutzten Komponenten sind:

- a - Elektromechanischer Antrieb mit Steuerung
- b - Elektromechanischer Antrieb ohne Steuerung
- c - Hintere Halterungen (Befestigung an der Wand)
- d - Vordere Bügel (Befestigung am Torflügel)
- e - Photozellenpaar (Wandmontage)
- f - Blinkleuchte/Leuchtanzeige
- g - Steuertastatur (Wandmontage)
- h - Paar Standsäulen für Photozellen!

i - Mechanische Endanschläge in Öffnung (Anmerkung – Die Torbewegung kann auch gegen einen natürlichen Endanschlag wie Mauer, Beet, usw. enden, oder es kann der mechanische Endschalter im Antrieb benutzt werden.

- l - Mechanischer Endanschlag in Schließung

4.1.2 – Festlegen der Position der verschiedenen Komponenten

Unter Bezugnahme auf die Abb. 8, die ungefähre Position festlegen, in der jede in der Anlage vorgesehene Komponente installiert werden soll.

4.1.3 – Bestimmen, nach welchem Plan die Vorrichtungen angeschlossen werden

Das Produkt sieht eine "Bus"-Verbindung zwischen allen Vorrichtungen der Anlage mittels nur einem Kabel mit zwei Leitern in ihm vor. Bei diesem Verbindungstyp erfolgt die Datenübertragung zwischen den Vorrichtungen per Kabel mit einem besonderen Protokoll, "Bus-Moovo" genannt. **Achtung!** - in die Anlage können nur Vorrichtungen installiert werden, die Träger dieses Protokolls sind.

In ein "Bus"-Netzwerk können die Vorrichtungen nach verschiedenen Schemen eingebunden werden; jede Vorrichtung wird im entsprechenden Schema ein Knoten dieses Netzwerks sein. Die Verbindungsschemen sind:

- **“Stern”**: in diesem Schema ist jede Vorrichtung unabhängig, da sie direkt an den beiden „Bus“-Klemmen der Steuerung angeschlossen wird.
- **“Kette”**: in diesem Schema ist eine Vorrichtung mit einer anderen verbunden, usw., wie die Glieder einer Kette. Daher ist nur die erste Vorrichtung der Kette an den beiden Bus“-Klemmen der Steuerung angeschlossen.
- **“gemischt”**: dieses Schema besteht aus einem Mix der beiden oben beschriebenen.

Um das für alle Vorrichtungen Ihrer Anlage beste Verbindungsschema zu bestimmen, beziehen Sie sich bitte auf das Beispiel in **Abb. 9 / Abb. 26**. Gewöhnlich wird die Blinkleuchte/Leuchtanzeige als erste Vorrichtung direkt an der Steuerung angeschlossen.

4.1.4 – Überprüfen der zur Arbeit notwendigen Geräte

Stellen Sie vor der Installation sicher, dass Sie über alle zur Arbeit notwendigen Geräte und Materialien verfügen (siehe Beispiel in **Abb. 10**). Überprüfen Sie, dass alles in gutem Zustand und konform mit den örtlichen Sicherheitsvorschriften ist.

4.1.5 – Durchführen der Vorbereitungen

Abschließend die Strecken zum Verlegen der Rohrleitungen der Elektrokabel ausgraben oder externe Kanäle verlegen, die Rohrleitungen im Beton versenken und sonstige Vorbereitungen ausführen, um den Installationsort auf die nachfolgende Installation vorzubereiten.

HINWEISE:

- Den Antrieb mit der Steuerung möglichst in der Nähe der Stelle anbringen, wo sich die Stromversorgung befindet, falls bereits vorhanden.
- Bringen Sie die Enden der Rohrleitungen zum Durchführen der Elektrokabel in der Nähe der Stellen an, wo die verschiedenen Komponenten befestigt werden sollen.

Anmerkungen:

- Die Rohrleitungen sollen die Elektrokabel schützen und unbeabsichtigte Schäden zum Beispiel durch Stöße verhindern.
- Fest montierte Steuervorrichtungen müssen in Sichtnähe des Tors, aber fern von seinen Bewegungsteilen angebracht sein.

4.2 – VORBEREITUNG DER ELEKTROKABEL

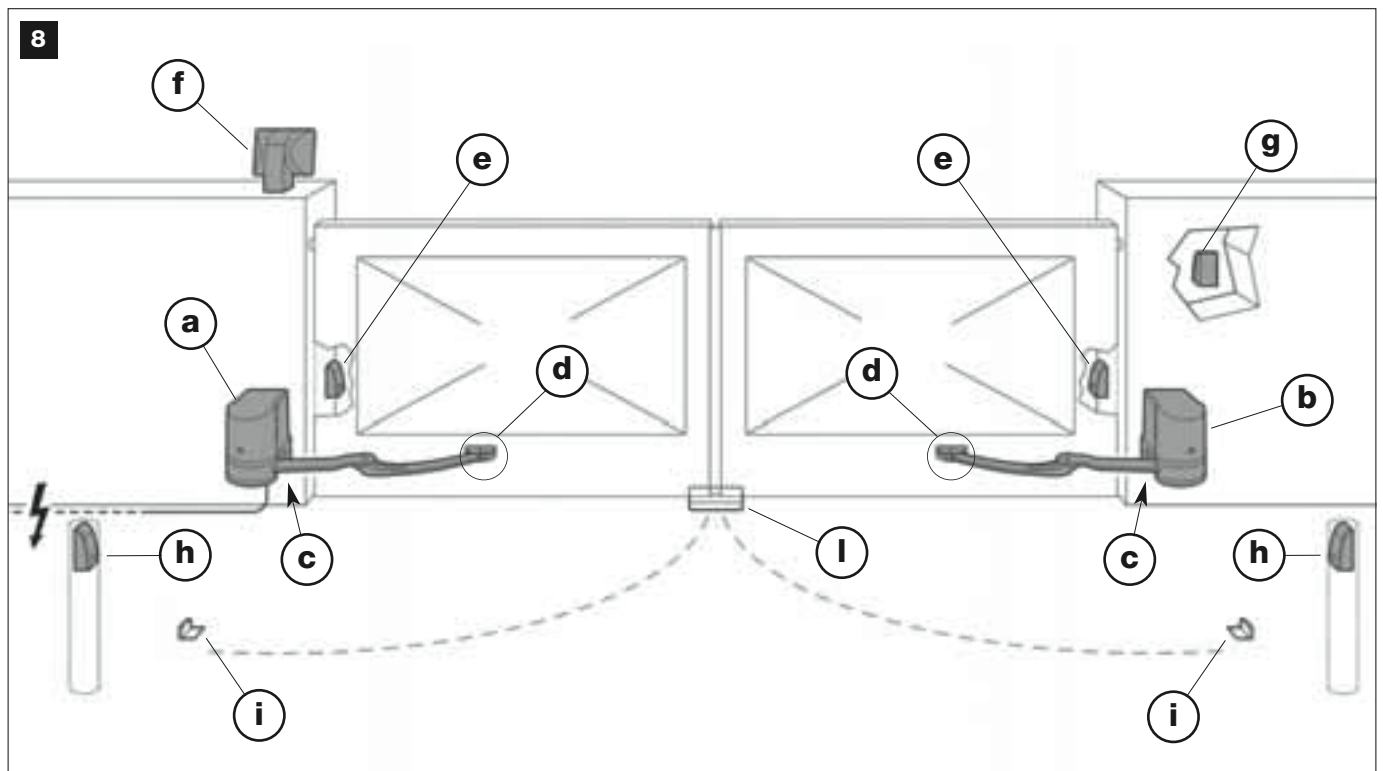
Um die für Ihre Anlage notwendigen Elektrokabel vorzubereiten, beziehen Sie sich bitte auf die **Abb. 9** und auf die **“Tabelle 1 - Technische Merkmale der elektrischen Kabel”**. Weiterhin befolgen Sie diese Hinweise:

- Bei der **“Sternverbindung”** darf die Länge des einzelnen Kabels, das eine Vorrichtung mit der Steuerung verbindet, **NICHT über 20m sein**.

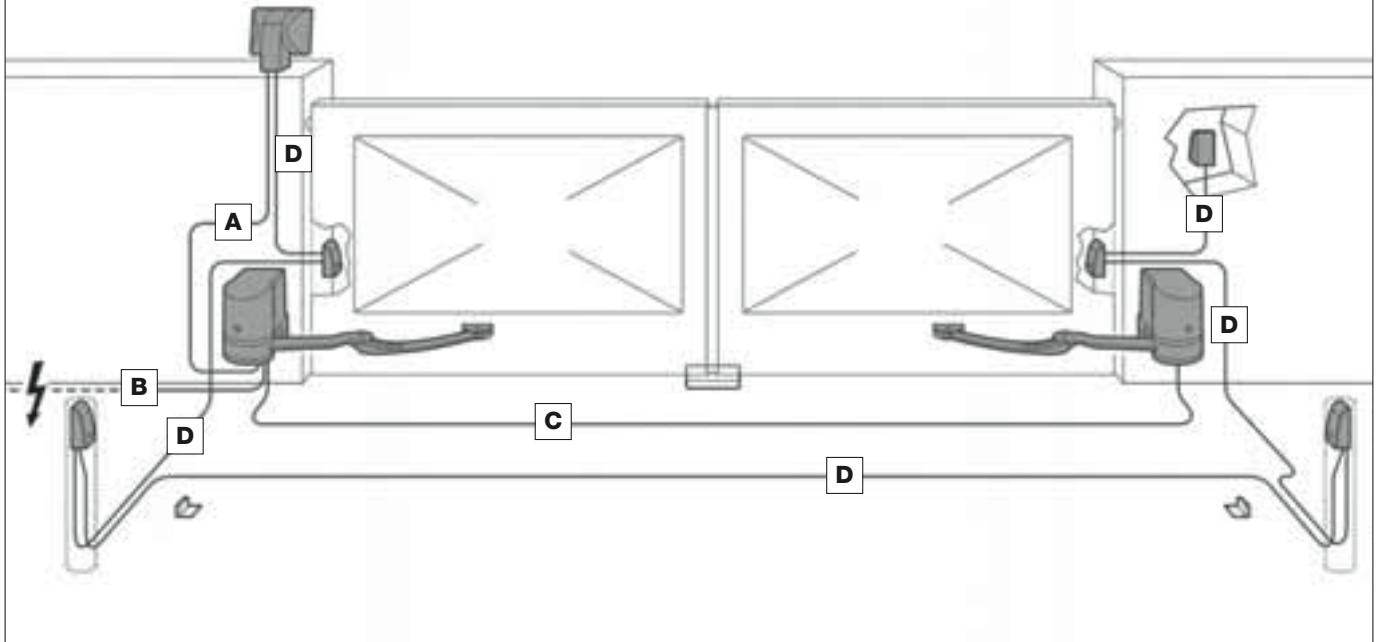
- Bei der **“Kettenverbindung”** darf die Summe der Länge eines jeden Kabels, das zur Verbindung einer Vorrichtung mit der anderen und am Ende mit der Steuerung benutzt wird, **NICHT über 20 m sein**.

- Wenn zwischen Steuerung und Blinkleuchte/Leuchtanzeige andere Vorrichtungen eingeschaltet werden, für diese dasselbe Kabel wie für die Blinkleuchte/Leuchtanzeige verwenden.

- Das Verlegen der Elektrokabel und ihre Verbindung mit den verschiedenen Vorrichtungen sind Vorgänge, die während der Installation der Komponenten auszuführen sind.



9



10



TABELLE 1 – Technische Merkmale der elektrischen Kabel (Anmerkung 1)

Anschluss	Kabeltyp	Zulässige Höchstlänge
A - Kabel der BLINKLEUCHTE	Kabel 2 x 1,0 mm ²	10 m (Par. 4.2 lesen)
B - Kabel der VERSORUNG	Kabel 3 x 1,5 mm ² (Anmerkung 2)	30 m
C - Kabel des ANTRIEBS	Kabel 3 x 1,5 mm ²	10 m
D - BUS-Kabel	Kabel 2 x 0,5 mm ²	20 m (Par. 4.2 lesen)

Anmerkung 1 – Die für die Anlage notwendigen Kabel (in der Packung nicht vorhanden) können je nach Anzahl und Typ der Anlagekomponenten unterschiedlich sein.

Anmerkung 2 – Falls das mitgelieferte Stromkabel nicht genügend lang ist, das Stromkabel mit einem Kabel dieses Typs ersetzen. Die Arbeit muss von erfahrener Fachperson durchgeführt werden: siehe "Dem Fachtechniker vorbehaltene Tätigkeiten".

ACHTUNG! – Die benutzten Kabel müssen für den jeweiligen Installationsort geeignet sein; zum Beispiel wird ein Kabel des Typs H07RN-F für Außenanwendungen empfohlen.

SCHRITT 5

5.1 – INSTALLATION DER KOMponentEN DER AUTOMATION

WICHTIGE HINWEISE

- Durch eine falsche Installation können die Person, die die Arbeit ausführt, und die Benutzer der Anlage schwer verletzt werden.
- Führen Sie die in SCHRITT 3 beschriebenen Überprüfungen aus, bevor Sie den Zusammenbau der Automation beginnen.

WICHTIG! – Die folgenden Montageschritte (SCHRITT 5) schildern, wie nur ein Antrieb installiert wird. Falls das Tor zweiteilig ist, wiederholen Sie dieselben Vorgänge für die Installation des zweiten Antriebs. Um zu bestimmen, an welchem Torflügel der **Antrieb mit Steuerung** installiert sein muss, siehe insbesondere den SCHRITT 6.

Befestigung des hinteren Bügels des Antriebs an der Mauer

Um den hinteren Bügel des Antriebs an der Mauer oder dem Torpfosten zu befestigen, muss seine waagerechte und senkrechte Stellung wie folgend bestimmt werden:

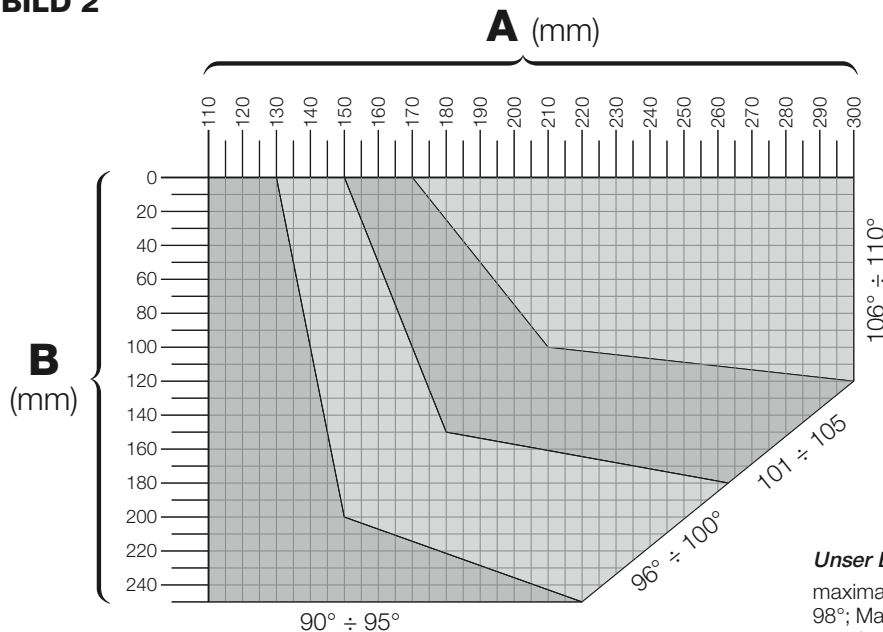
- **Senkrechte Stellung (Abb. 5):** die allgemeinen Anweisungen in SCHRITT 3 und in **Abb. 5** befolgen; nachdem die Stellung bestimmt ist, mit einem Bleistift eine waagerechte Linie auf die Mauer (oder den Pfosten) zeichnen.
- **Waagerechte Stellung (Abb. 4):** um den Antrieb waagerecht zu positionieren, auf das **Schaubild 2** Bezug nehmen und wie folgend vorgehen:

- 01. Den maximalen Öffnungswinkel des Torflügels bestimmen:** den Torflügel in die gewünschte maximale Öffnungsposition verschieben (den Hinweis **4-d** in SCHRITT 3.2 beachten) und die Grade des Öffnungswinkels des Torflügels mit einem Winkelmesser, gezeigt auf der letzten Seite der Anweisungen, messen. Dann im **Schaubild 2** den grauen Bereich finden, der Ihrem Winkel entspricht.
- 02. Das Maß B und das Maß A bestimmen:** Unter Bezugnahme auf die **Abb. 11**, das **Maß B** Ihrer Installationsumgebung messen. Dieses Maß ist der Abstand zwischen dem Drehpunkt des Torflügels und der Oberfläche, wo der hintere Bügel befestigt wird. Dann im **Schaubild 2** das soeben ermittelte **Maß B** finden und ab diesem eine waagerechte Linie ziehen, die sich mit dem Bereich des Winkels im Punkt oben kreuzen muss. In diesem Bereich legt die markierte Linie 2 Punkte fest; dann ab jedem dieser Punkte eine senkrechte Linie nach oben ziehen, bis sich diese mit der Geraden der Maße A kreuzt. Der von diesen Linien bestimmte

Bereich ist das **Maß A**, bzw. die zur Befestigung des hinteren Bügels möglichen Maße.

- 03.** Nun das ermittelte Maß auf die Mauer (oder den Torpfosten) zeichnen und eine senkrechte Linie ziehen, die durch diesen Punkt geht. Dann den Bügel unter Bezugnahme auf die Linien, die Sie auf die Mauer gezeichnet haben, in der vorgesehenen Stellung auf der Oberfläche anbringen und die Stellen, an denen gebohrt werden soll, mit einem Bleistift markieren.
 - 04.** Den mechanischen Endanschlag an der Unterseite des Antriebs mit einem 13 mm Schlüssel entfernen (**Abb. 15**); die selbstsperrende Mutter der Schraube des mechanischen Endanschlags lockern und abschrauben.
 - 06.** Die Rückseite des Antriebs in den Platz am Befestigungsbügel stecken. Achtung – die Bohrungen am Antrieb müssen mit jenen am Bügel zusammentreffen (**Abb. 16**).
 - 07.** Den Antrieb mit einer Hand halten und mit der anderen die beiden mitgelieferten Schrauben in die Bohrungen eindrehen. **Anmerkung** – Falls die Schrauben nur schwer in die Bohrungen gehen, einen Hammer und einen Rohrschraubendreher verwenden (siehe **Abb. 17**). Dann die Schrauben mit ihren Muttern befestigen; hierzu einen Inbusschlüssel verwenden, um den Kopf der Schraube festzuhalten, und einen Rohrschraubendreher (10 mm) mit Außenabmessungen nicht über 14,5 mm, um die Mutter festzuschrauben.
 - 08.** Nun den gebogenen Arm am Antrieb befestigen. **WICHTIG!** – Der **Arm muss so angebracht sein, dass er zum Torflügel hin gebogen ist**. Dann den Kopf der "Verlängerung" des Antriebs in die Bohrung des gebogenen Arms stecken und das Ganze mit der mitgelieferten Schraube, Unterlegscheibe und Mutter befestigen (**Abb. 18**).
 - 09.** Zur Befestigung des Bügels am Torflügel, wie folgend vorgehen:
 - a)** Den Bügel an das Ende des gebogenen Arms stecken; die Bohrungen müssen zusammentreffen; den mitgelieferten Stift einstecken (**ohne der Benzing-Sicherungsscheibe - Abb. 19**).
 - b)** Den Antrieb mit seinem Schlüssel entriegeln (siehe das Kapitel "Manuelles Blockieren und Entriegeln des Antriebs" im "Bedienungshandbuch").
 - c)** Den Torflügel in die gewünschte maximale *Schließung* verschieben und **den Arm ganz ausfahren lassen** (**Abb. 20**). Dann diesen dem Torflügel nähern, bis der Befestigungsbügel ganz am Torflügel anliegt.
 - d)** Nun mit einem Bleistift die Punkte markieren, an denen gebohrt werden muss und mit einer Bohrmaschine lochen.
- Anmerkung** – Die Schrauben zur Befestigung des Bügels am Torflügel befinden sich nicht in der Packung, da ihr Typ vom Material und der Stärke der jeweiligen Mauer abhängt.
- 10.** Den Bügel vom Arm des Antriebs nehmen und am Torflügel befestigen. **Wichtig** – Prüfen, dass der Bügel einwandfrei nivelliert ist.

SCHAUBILD 2



Unser Beispiel:

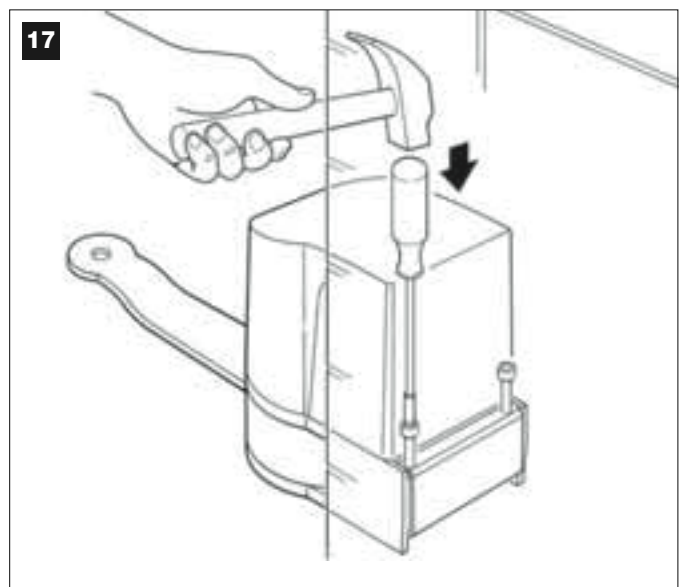
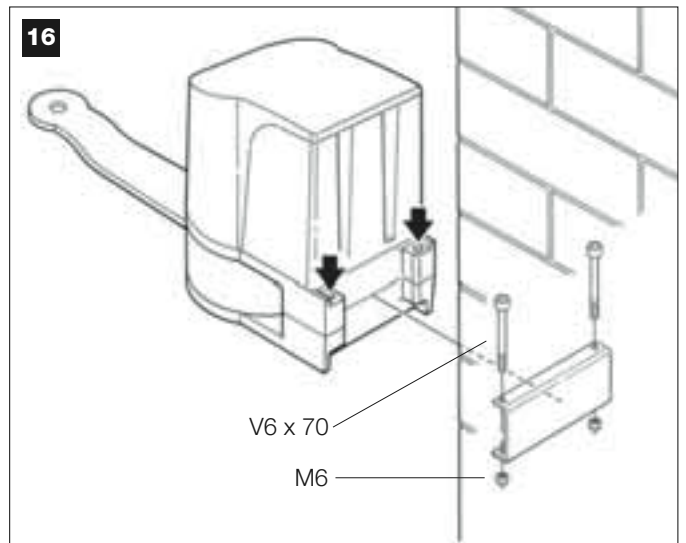
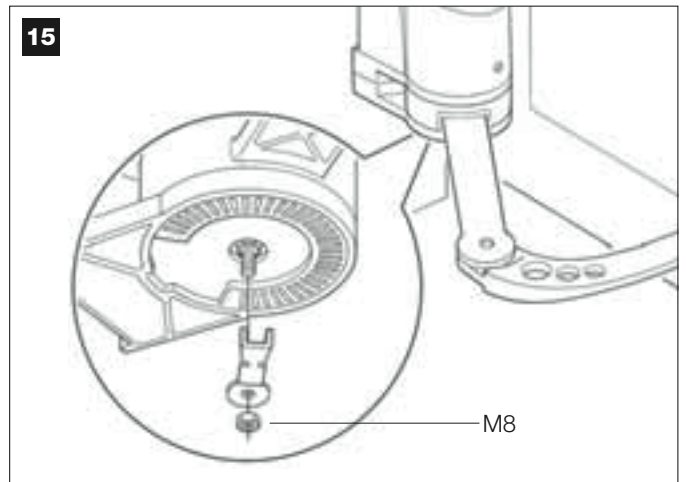
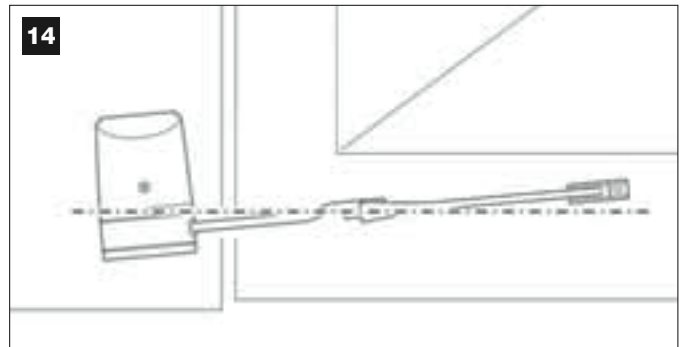
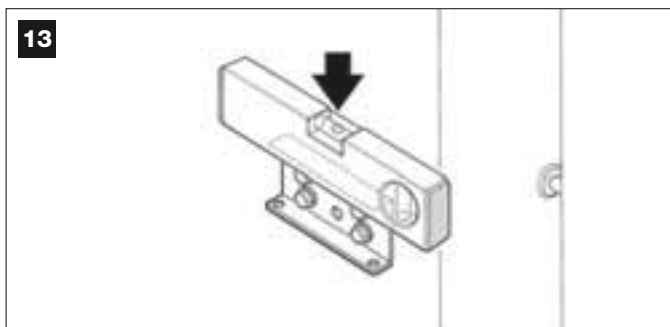
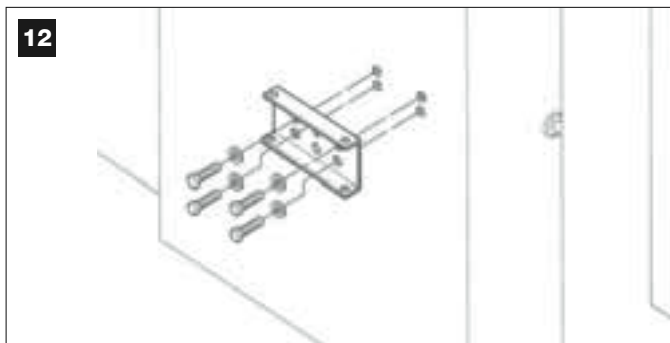
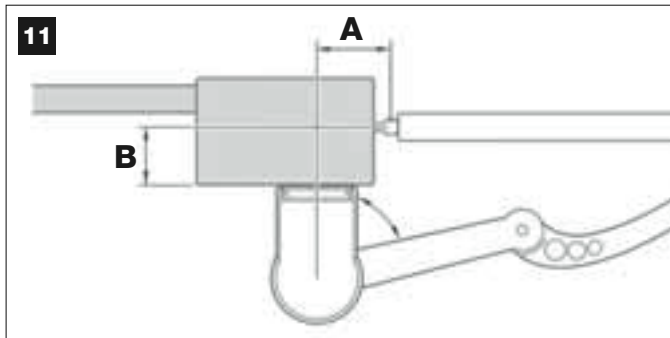
maximaler Öffnungswinkel des Torflügels = 98°; Maß B = 120 mm; das Maß A kann verwendet werden von 142 mm bis 174 mm.

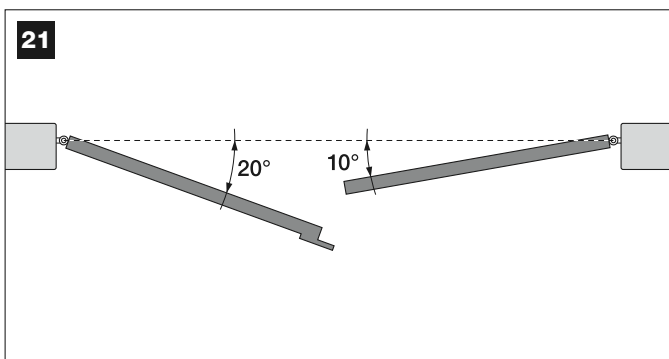
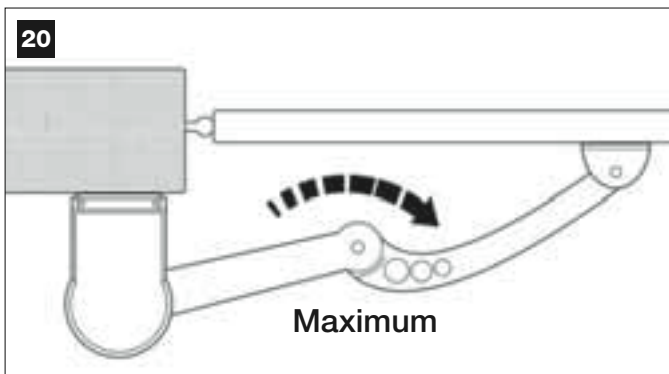
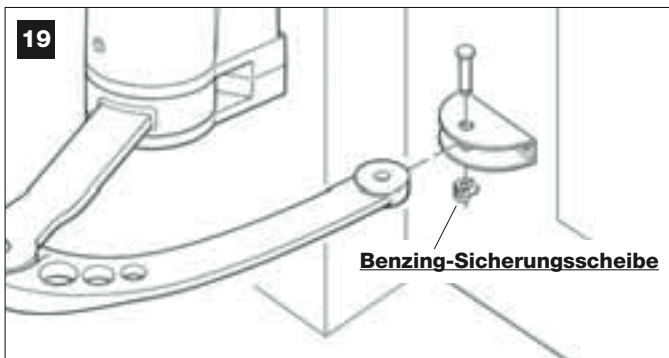
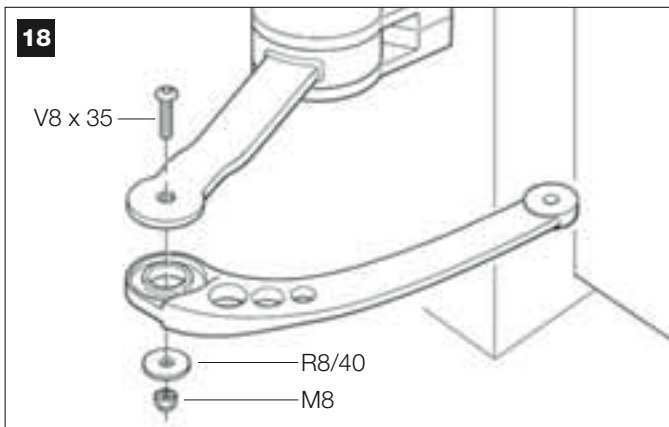
11. Den Arm des Antriebs am Bügel befestigen, hierzu den **Stift** und die mitgelieferte **Benzing-Sicherungsscheibe** einfügen.

12. **ACHTUNG!** – Siehe den **SCHRITT 5.2**, falls in Ihrer Installationsumgebung keine am Boden angebrachten mechanischen Endanschläge vorhanden sind.

13. Dann den Torflügel (immer mit entriegeltem Antrieb) von Hand in die in **Abb. 21** gezeigte Position verschieben und den Antrieb mit seinem Schlüssel blockieren (siehe das Kapitel **“Manuelles Blockieren und Entriegeln des Antriebs”** im Abschnitt **“TECHNISCHE DOKUMENTATION”**). Nun den Torflügel mit einer leichten Bewegung um ein paar Zentimeter in Richtung maximale **Öffnung** verschieben, bis man ein Einrastgeräusch hört.

14. Falls das zu automatisierende Tor zweiteilig ist, wiederholen Sie die in **SCHRITT 5** beschriebenen Vorgänge für die Installation des zweiten Antriebs.





5.2 – EINSTELLUNG DES MECHANISCHEN ENDSCHALTERS IN **ÖFFNUNG**

Wenn in Ihrer Installationsumgebung keine mechanischen Endanschläge am Boden zum Anhalten der Torflügel am Ende ihrer *Öffnungsbewegung* vorhanden sind, muss der mechanische Endanschlag an der Unterseite eines jeden Antriebs wie folgend eingestellt werden:

01. Den Torflügel mit entriegeltem Antrieb von Hand in die Position *Öffnung* verschieben.
02. Den Mittelpunkt (Achse) des Arms des Antriebs finden und mit einem Stück Klebeband markieren, das am festen Teil des Antriebs über dem Arm angebracht wird (Abb. 22).
03. Nun den Torflügel schließen.

04. Um die Befestigung des mechanischen Endanschlags zu vereinfachen, können Sie ein Stück Klebeband bis zur Basis des Antriebs hinzufügen - siehe **Abb. 23**.

05. Den mechanischen Endanschlag wie folgend positionieren: wenn man an einem Antrieb arbeitet, der den linken Torflügel bewegt, muss der mechanische Endanschlag links neben dem Klebeband befestigt werden; wenn man dagegen an dem Antrieb rechts arbeitet, muss der mechanische Endanschlag rechts neben dem Klebeband befestigt werden (**Abb. 24**). Dann mit seiner selbstsperrenden Mutter befestigen (**Abb. 25**).

06. Nun den Torflügel von Hand verschieben und prüfen, ob er genau in der gewünschten maximalen *Öffnungsposition* anhält. Andernfalls den mechanischen Endanschlag um einen oder zwei Zähne verschieben und die maximale *Öffnungsposition* erneut überprüfen.

07. Dann den Torflügel (immer mit entriegeltem Antrieb) auf ca. Laufhälfte verschieben und den Antrieb mit seinem Schlüssel verriegeln (siehe das Kapitel "Manuelles Blockieren und Entriegeln des Antriebs" im Bedienungshandbuch. Nun den Torflügel mit einer leichten Bewegung um ein paar Zentimeter in Richtung maximale Öffnung verschieben, bis man ein Einrastgeräusch hört).



SCHRITT 6

DURCHFÜHREN DER INSTALLATION UND DES ELEKTRISCHEN ANSCHLUSSES DER IN DER ANLAGE VORGESEHENEN VORRICHTUNGEN

Die in der Anlage vorgesehenen Vorrichtungen unter Bezugnahme auf die nächsten SCHRITTE und das Beispiel in **Abb. 26** installieren.

ACHTUNG! – Ein falscher Anschluss kann Defekte und/oder Gefahren verursachen, daher die angegebenen Anschlüsse genauestens ausführen.

Für den Zugang zur Steuerung, den Deckel vom Antrieb mit der Steuerung entfernen und wie folgt vorgehen (siehe die Abbildung seitlich):

- a) Die Schraube an der Oberseite des Deckels mit einem Kreuzschraubenzieher ausdrehen.
- b) Zwei Finger in die beiden Aushöhlungen an der Rückseite des Antriebs stecken und den Deckel nach oben wegziehen, dabei auf seiner Basis Druck ausüben.



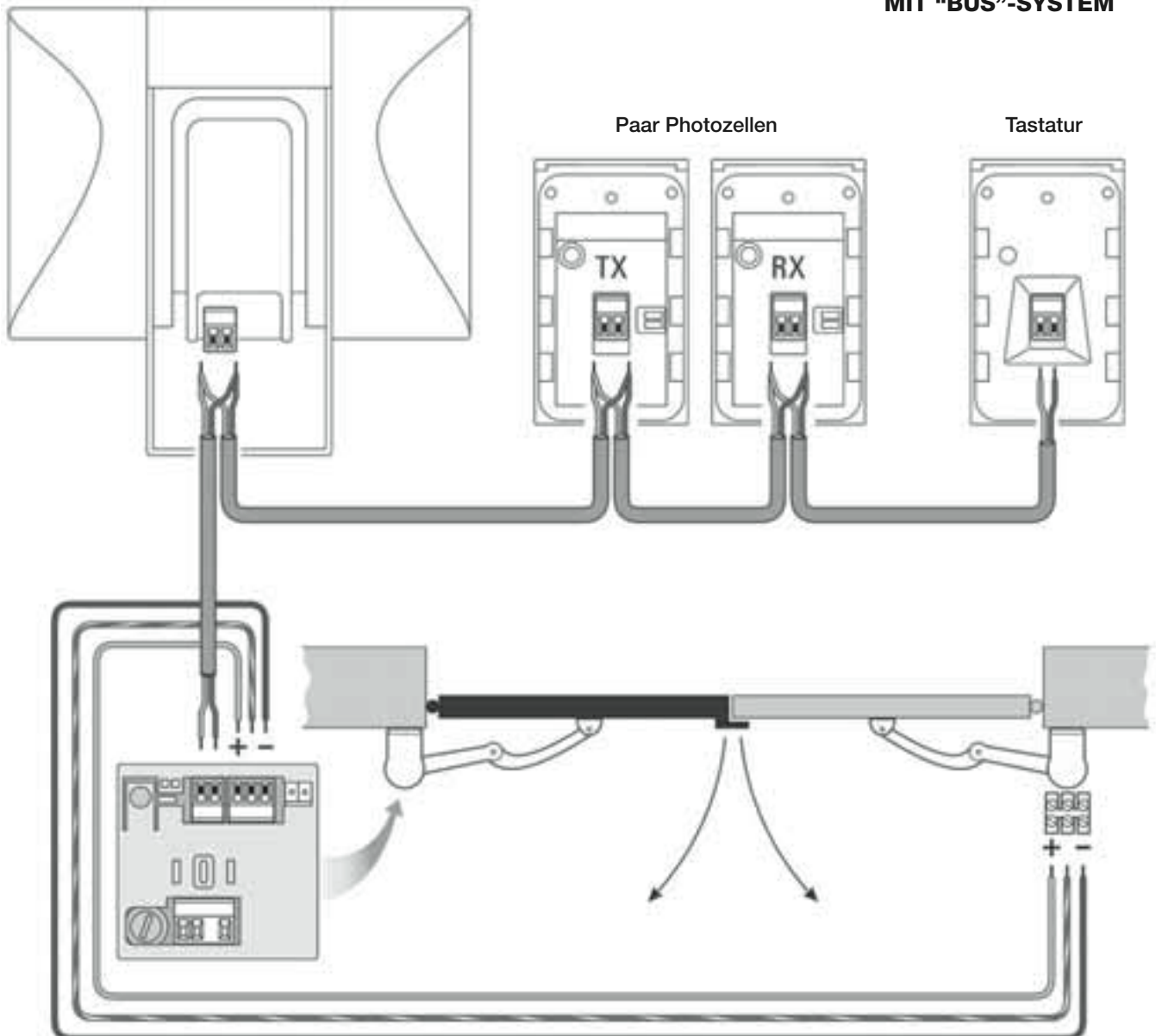
26

Blinkleuchte

SCHALTPLAN DER VORRICHTUNGEN MIT "BUS"-SYSTEM

Paar Photozellen

Tastatur



6.1 – EINSTELLUNG DER ÖFFNUNGSREIHENFOLGE DER TORFLÜGEL

Um in der **Steuerung** die Reihenfolge korrekt einzustellen, mit der sich die Flügel Ihres Tors öffnen müssen, finden Sie unter den folgenden Konfigurationen jene, die Ihrer Anlage entspricht und gehen Sie wie angegeben vor.

Für die angegebenen Vorgänge kann es nützlich sein, die Steuerung aus ihrem Sitz zu entfernen; hierzu wie in **“Wie die Steuerung herausgenommen wird”** vorgehen.

Fall A: es sind keine Änderungen auszuführen.



Fall B: (an die Steuerung) ist wie folgt vorzugehen:

- die elektrische Überbrückung **“Sel”** finden und von ihrer ursprünglichen Stellung in **Abb. 27** in die neue, in **Abb. 28** gezeigte Stellung verschieben.
- die Drähte an der Klemmleiste **“Motor 2”** umkehren (**Abb. 29**).
- die Drähte an der Klemmleiste **“Motor 1”** umkehren (**Abb. 30**).



Fall C:

- (an die Steuerung) die elektrische Überbrückung **“Sel”** finden und von ihrer ursprünglichen Stellung in **Abb. 27** in die neue, in **Abb. 28** gezeigte Stellung verschieben.



Fall D: (an die Steuerung) ist wie folgt vorzugehen:

- die Drähte an der Klemmleiste **“Motor 2”** umkehren (**Abb. 29**).
- die Drähte an der Klemmleiste **“Motor 1”** umkehren (**Abb. 30**).

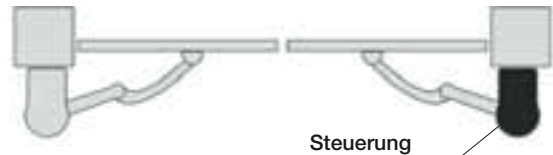


Fall E: es sind keine Änderungen auszuführen.



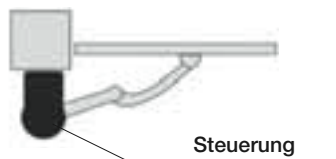
Fall F: (an die Steuerung) ist wie folgt vorzugehen:

- die Drähte an der Klemmleiste **“Motor 2”** umkehren (**Abb. 29**).
- die Drähte an der Klemmleiste **“Motor 1”** umkehren (**Abb. 30**).



Fall G: um ein einteiliges Tor zu automatisieren, dessen Antrieb mit Steuerung sich **links** befindet, wie folgend vorgehen:

- (an die Steuerung) die elektrische Überbrückung **“Sel”** finden und von ihrer ursprünglichen Stellung in **Abb. 27** in die neue, in **Abb. 28** gezeigte Stellung verschieben.

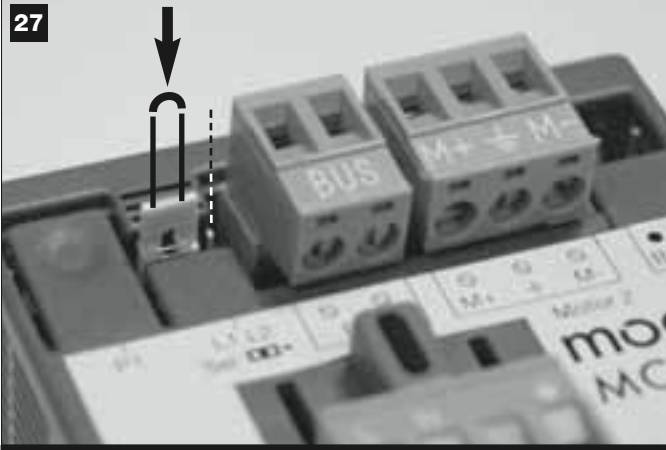


Fall H: um ein einteiliges Tor zu automatisieren, dessen Antrieb mit Steuerung sich **rechts** befindet, wie folgend vorgehen:

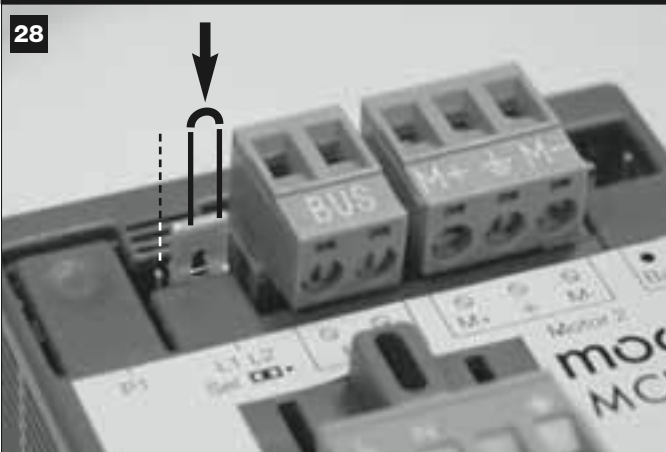
- (an die Steuerung) die elektrische Überbrückung **“Sel”** finden und von ihrer ursprünglichen Stellung in **Abb. 27** in die neue, in **Abb. 28** gezeigte Stellung verschieben.
- (an der Steuerung) die Drähte an der Klemmleiste **“Motor 1”** umkehren (**Abb. 30**).



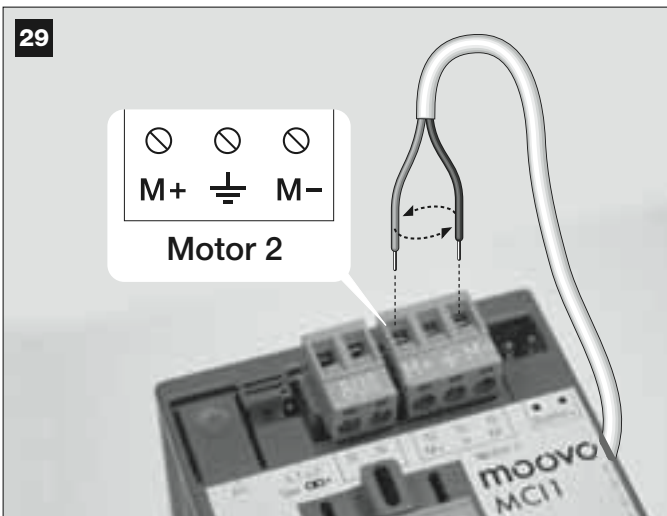
27



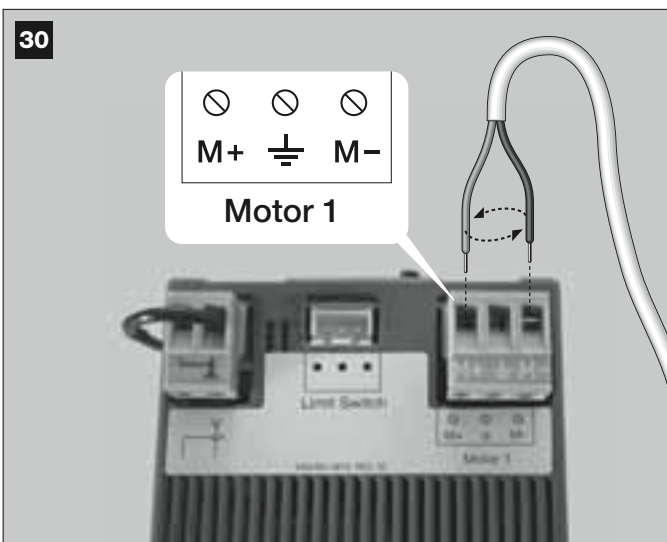
28



29



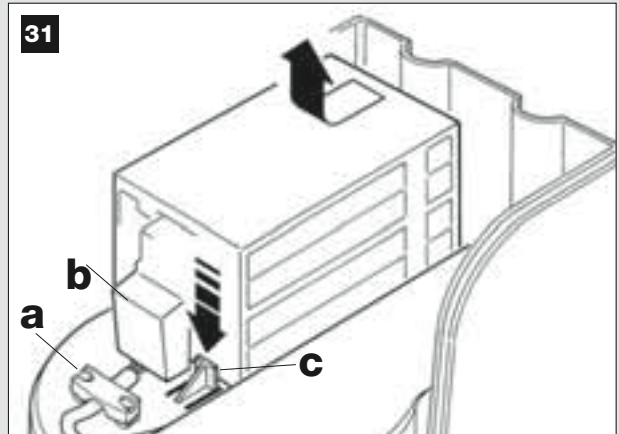
30



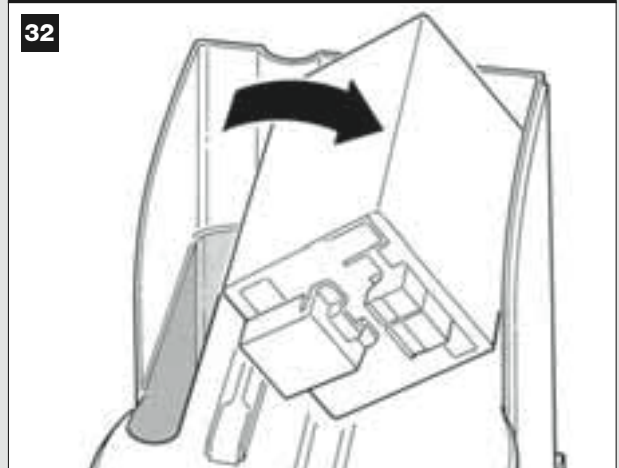
WIE DIE STEUERUNG AUS DEM ANTRIEB GENOMMEN WIRD

01. Die Schrauben des Kabelhalters (Abb. 31-a) und den Deckel der Klemmleiste (Abb. 31-b) mit einem Kreuzschraubenzieher ausdrehen, um das Verschieben der Steuerung aus ihrem Sitz zu vereinfachen.
02. Abb. 31-32: mit einem Finger auf den Flügel (Abb. 31-c) drücken, der die Steuerung blockiert; die Steuerung mit der anderen Hand vorwärts und gleichzeitig nach oben schieben, um sie aus der Führung auszuspannen, dann herausnehmen.

31

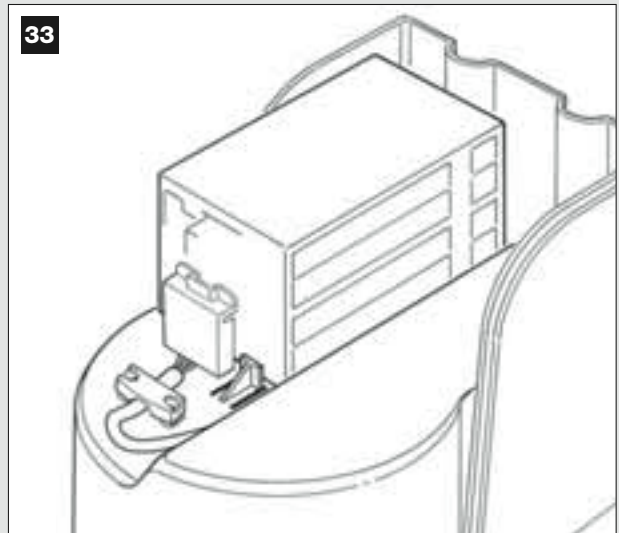


32



03. Abb. 33: nachdem die Arbeit ausgeführt ist, die Steuerung wie folgend wieder in ihren Sitz einbauen: a) die Steuerung auf dem Flügel anbringen (Abb. 31-c), nach unten schieben und nach hinten ziehen, bis man ein Einrastgeräusch hört. Dann den Deckel wieder auf der Klemmleiste und den Kabelhalter anbringen.

33



6.2 – INSTALLIEREN UND ANSCHLIEßEN DES ANTRIEBS OHNE STEUERUNG

Falls Ihre Anlage zwei Antriebe vorsieht, den Antrieb ohne Steuerung wie folgend an dem mit Steuerung anschließen:

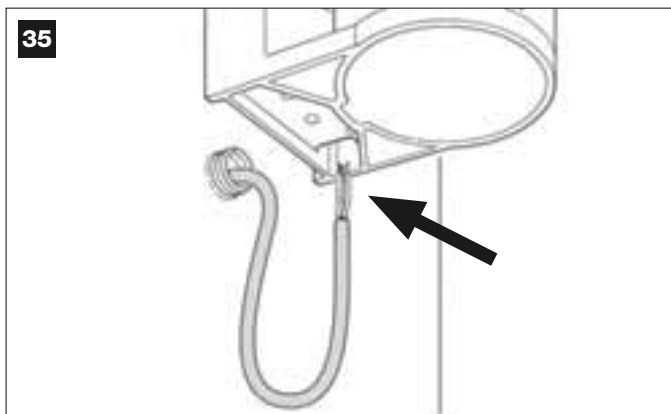
01. Abb. 34:

- Am Antrieb ohne Steuerung, die Schraube an der Oberseite des Deckels mit einem Kreuzschraubenzieher ausdrehen.
- Zwei Finger in die beiden Aushöhlungen an der Rückseite des Antriebs stecken und den Deckel nach oben wegziehen, dabei auf seiner Basis Druck ausüben.



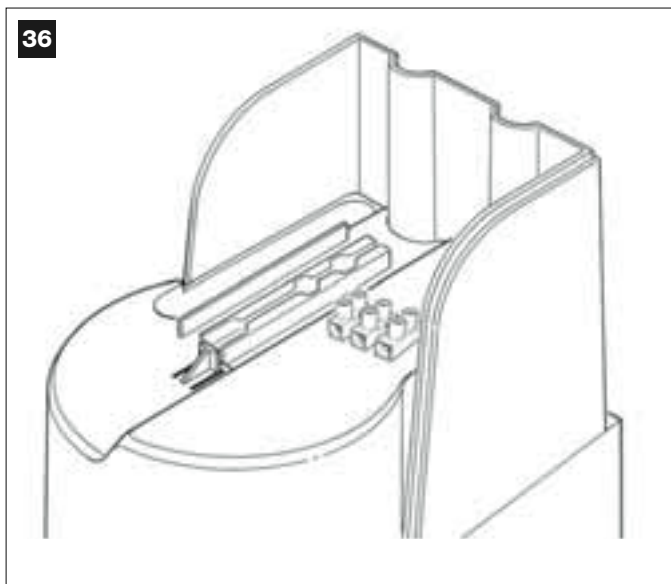
02. Abb. 35:

Das Kabel in die Bohrung an der Unterseite des Antriebs einführen.



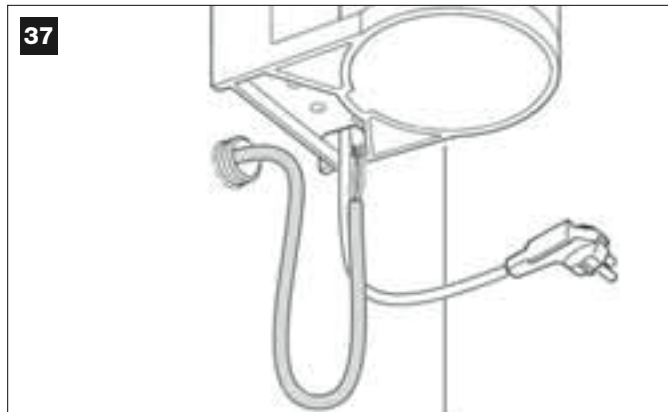
03. Abb. 36:

Die Drähte des Kabels mit der Klemmleiste verbinden – die vorhandenen Symbole beachten! Dann das Kabel mit dem Kabelhalter befestigen.



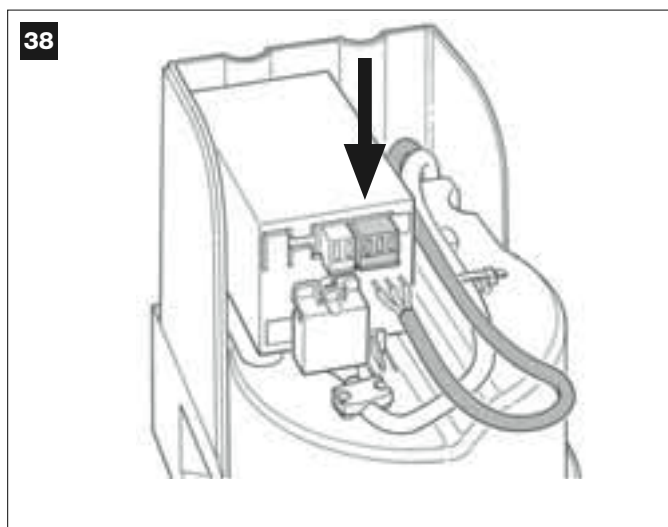
04. Abb. 37:

Am Antrieb mit Steuerung, den Deckel abnehmen und das Anschlusskabel, das vom anderen Antrieb kommt, durch die Bohrung in seiner Unterseite führen.



05. Abb. 38:

- Die Klemmleiste der Versorgung aus ihrem Sitz nehmen, damit die Schrauben der 3 Klemmen leicht gelöst werden können.
- Dann die Drähte des Kabels unter Beachtung der Symbole an der Klemmleiste anschließen und diese wieder in ihrem Sitz anbringen.



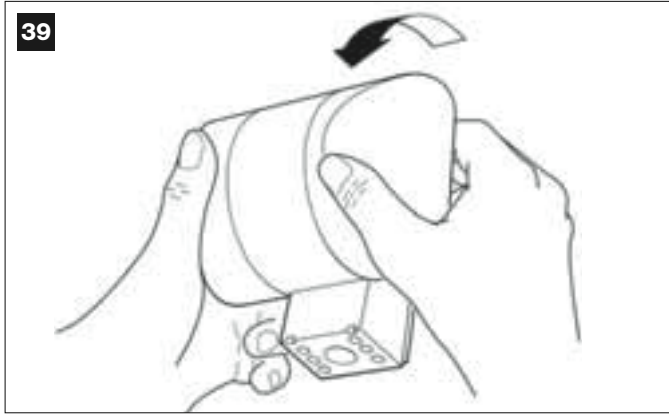
6.3 – INSTALLIEREN UND ANSCHLIEßEN DER LEUCHTANZEIGE Mod. MFF

Diese Leuchtvorrichtung meldet die Durchführung einer jeden Bewegung. Weiter ist sie mit dem Selbstdiagnosesystem der Steuerung verbunden. Im Fall von Störungen meldet sie das Problem durch bestimmte Blinksequenzen (siehe "Was tun, wenn ...").

Wie folgend vorgehen, um die Blinkleuchte/Leuchtanzeige zu installieren und anzuschließen:

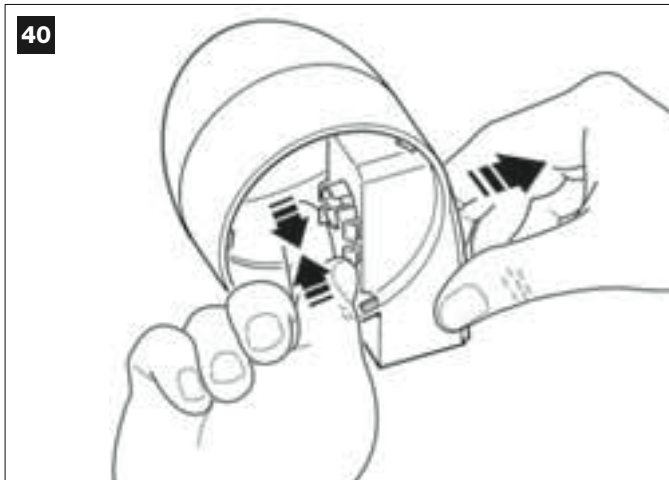
01. Abb. 39:

Einen der beiden durchsichtigen Schirme abnehmen, indem er gegen den Uhrzeigersinn gedreht wird, und hinlegen.



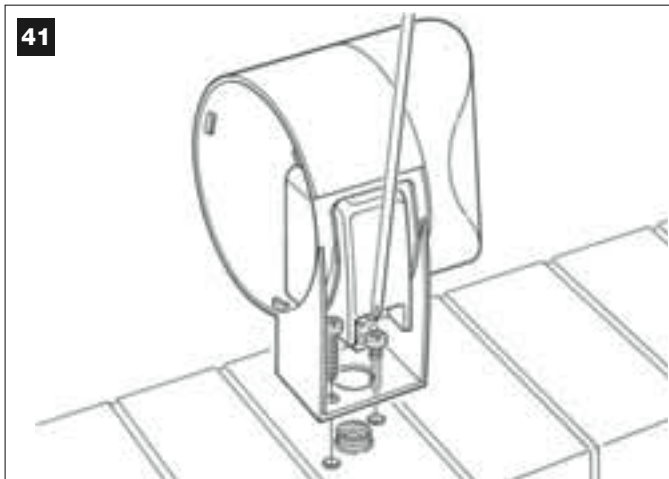
02. Abb. 40:

Mit zwei Fingern einer Hand gleichzeitig auf die beiden Laschen unten drücken und mit der anderen Hand den Außenstopfen der Blinkleuchte entfernen.



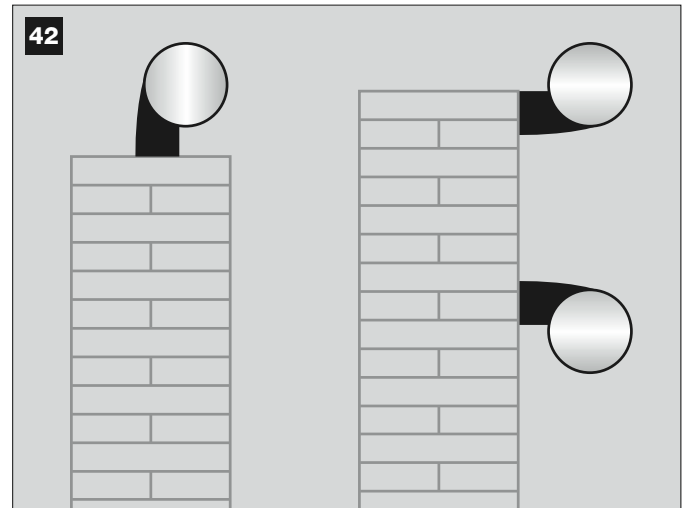
03. Abb. 41:

Im Boden des Körpers der Blinkleuchte die Teile, die für die Befestigung mit den Schrauben und das Durchführen der Kabel bereits vorbereitet sind, mit einer Bohrmaschine lochen.



04. Abb. 42:

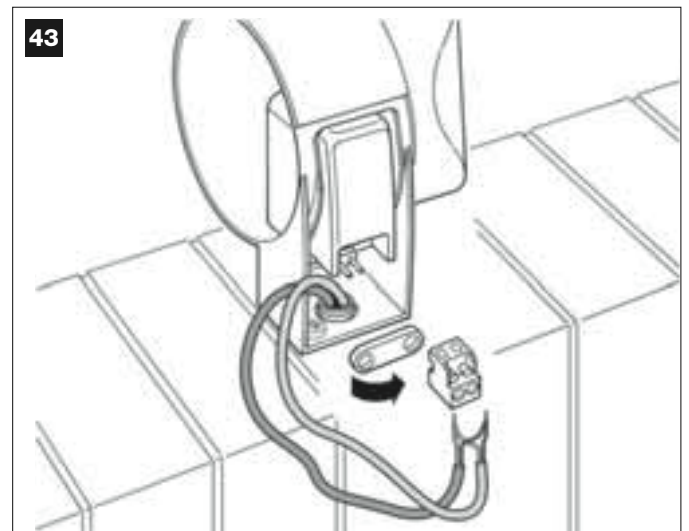
Achtung! – das Produkt nicht in anderen Positionen als gezeigt montieren.



05. Die Kabel durch das gebohrte Loch führen und den Körper der Blinkleuchte mit seinen Schrauben an der Mauer befestigen.

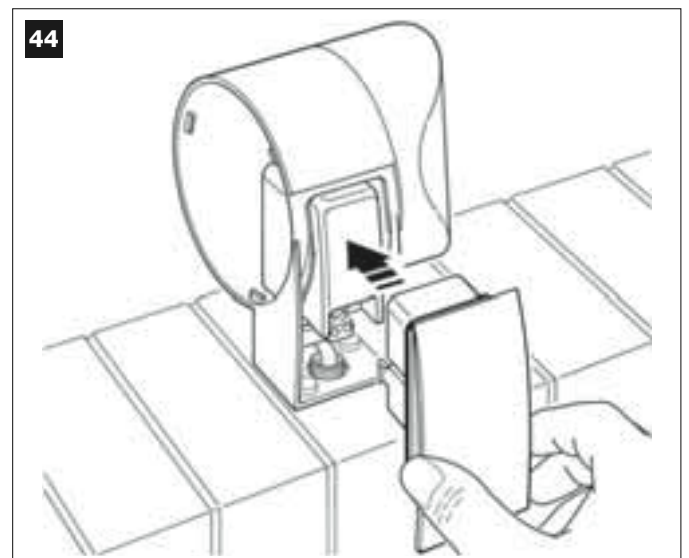
06. Abb. 43:

- Die Drähte der beiden Kabel miteinander verbinden und an der Klemmleiste befestigen.
- Das Kabel mit seinem Kabelhalter blockieren.



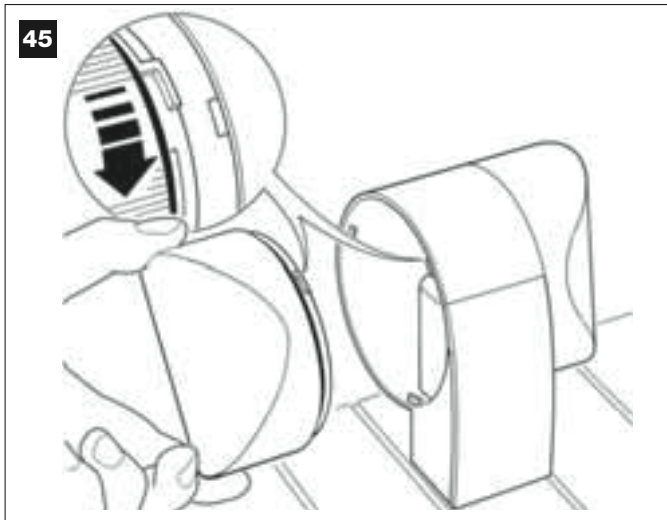
07. Abb. 44:

Den Außenstopfen der Blinkleuchte in seinen Sitz stecken, bis seine Laschen einrasten.



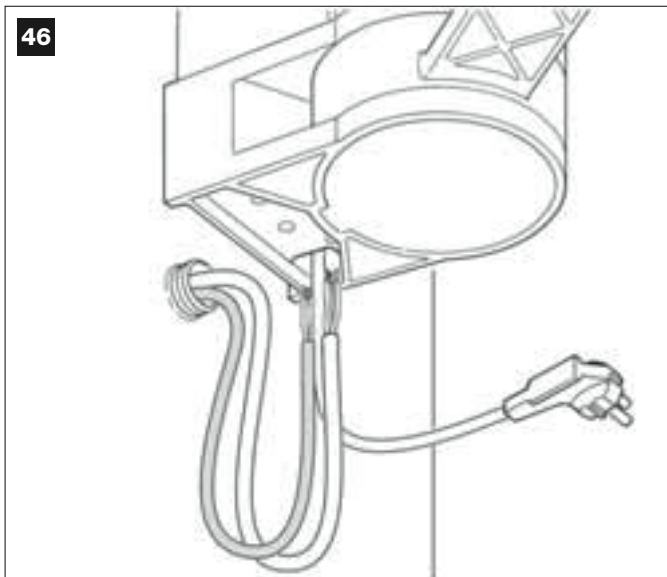
08. Abb. 45:

Den durchsichtigen Schirm in seinem Sitz anbringen und im Uhrzeigersinn drehen – ihre Zahnung muss sich in die Zahnung am Körper der Blinkleuchte einfügen.



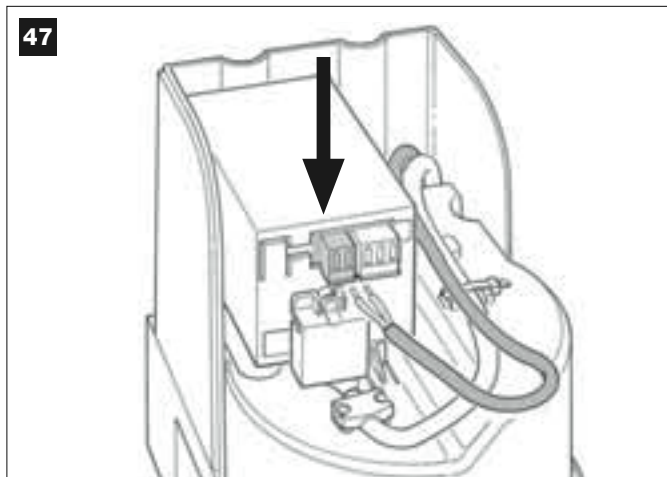
09. Abb. 46:

Am Antrieb mit der Steuerung, das Anschlusskabel der Blinkleuchte durch die Bohrung in der Unterseite führen.



10. Abb. 47:

- a) An der Steuerung, die Klemmleiste der BUS-Verbindung aus ihrem Sitz nehmen, damit die Schrauben der 2 Klemmen leicht gelöst werden können.
- b) Dann die Drähte des Kabels unter Beachtung der Symbole an der Klemmleiste anschließen und diese wieder in ihrem Sitz anbringen.
- c) Abschließend den Kabelhalter festziehen, um das Kabel am Antrieb zu blockieren.



6.4 – INSTALLIEREN UND ANSCHLIEßEN DER PHOTOZELLEN Mod. MP

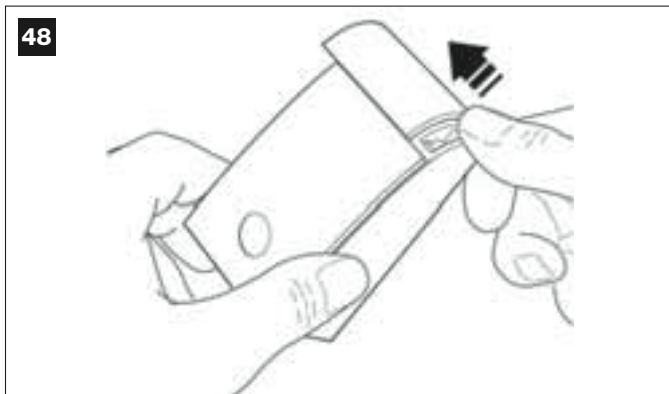
Das Photozellenpaar besteht aus einer Photozelle, die sendet (TX genannt) und aus einer zweiten, die empfängt (RX genannt). TX und RX sind an einem Etikett im Deckel zu erkennen. Die Photozellen werden jeweils an einer Seite der Durchfahrt installiert und über die Blinkleuchte durch das BUS-Kabel mit der Steuerung verbunden.

Die Photozellen sind eine Sicherheitsvorrichtung. Mit ihnen werden Hindernisse wahrgenommen, die sich auf ihrer Verbindungslinie befinden. In der Anlage können bis zu 6 Sicherheitsphotozellenpaare und ein Photozellenpaar installiert werden, das nur eine *Öffnung* verursacht (für die Installation der zusätzlichen Photozellen siehe "Auswahl des Betriebsmodus der Photozellenpaare").

Wie folgend vorgehen, um ein Photozellenpaar zu installieren und anzuschließen:

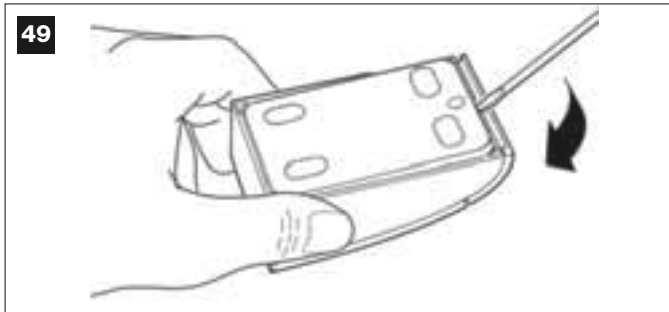
01. Abb. 48:

Die Schraubenabdeckung entfernen, indem seitlich geschoben wird, wie auf der Abbildung gezeigt.



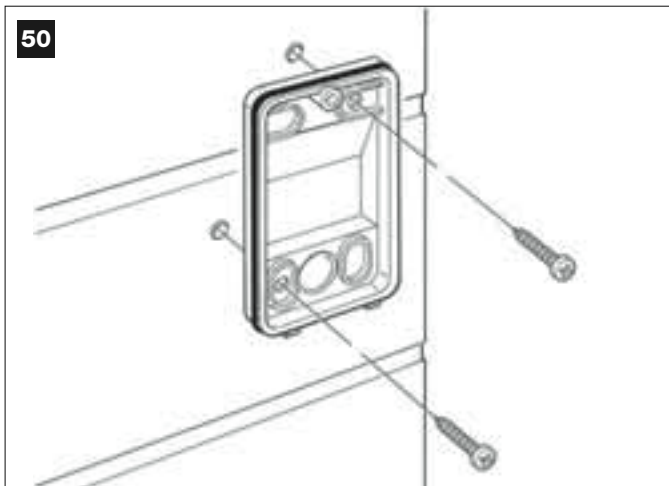
02. Abb. 49:

Den Boden der Photozelle mit einem Schraubenzieher öffnen und abnehmen.



03. Abb. 50:

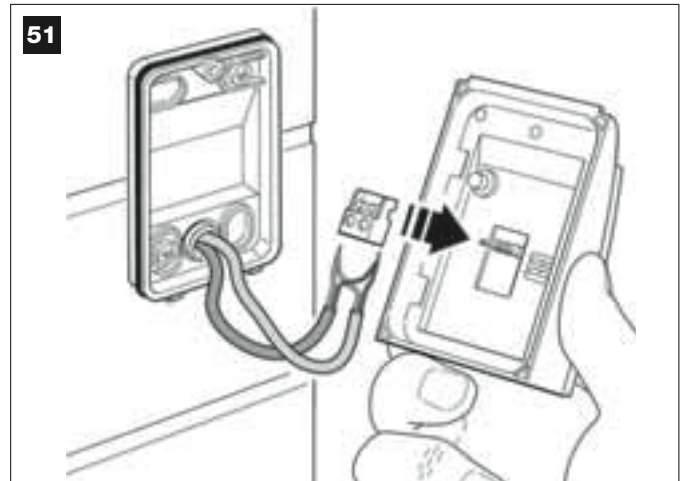
a) im Boden das Teil, das zum Durchführen der Anschlusskabel bereits vorbereitet ist, mit einer Bohrmaschine lochen.
b) Die Kabel durch das gebohrte Loch führen und den Boden der Photozelle mit seinen Schrauben an der Mauer befestigen.



04. Abb. 51:

a) Die Drähte der beiden Kabel miteinander verbinden und an der Klemmleiste befestigen.
b) Die Klemmleiste in den Male-Verbinder an der Rückseite der Photozelle stecken.

WICHTIG – Bevor die Photozelle geschlossen wird, muss der Betriebsmodus der Photozellen durch eine elektrische Überbrückung gewählt werden (siehe "Auswahl des Betriebsmodus der Photozellenpaare").



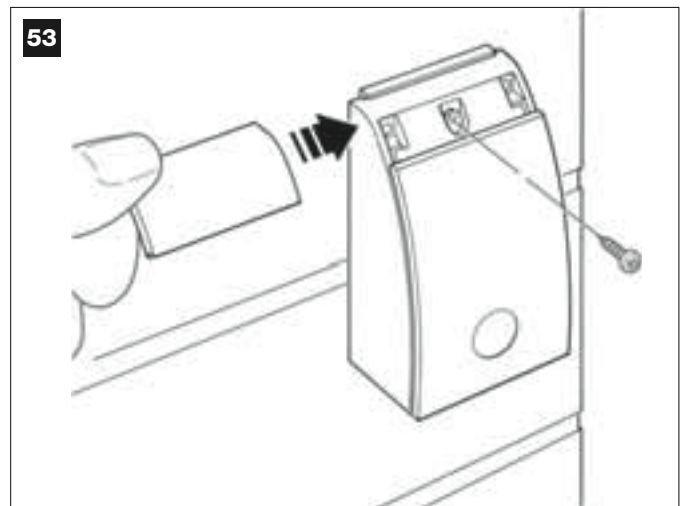
05. Abb. 52:

Den Deckel wieder anbringen, so dass sich seine Zahnung in jene des Bodens der Photozelle einspannt.



06. Abb. 53:

Den Deckel der Photozelle mit der mitgelieferten Schraube am Boden befestigen. Dann die Schraubenabdeckung wieder anbringen, wie auf der Abbildung gezeigt.



AUSWAHL DES BETRIEBSMODUS DES PHOTOZELLENPAARS

In einer Drehtoranlage können jederzeit zusätzliche Photozellenpaare installiert werden.

Man kann bis zu max. 6 Photozellenpaare mit Sicherheitsfunktion (siehe als Beispiel **A-B-C-D-E-F** in **Abb. 54**) und 1 Photozellenpaar mit Steuerungsfunktion (siehe als Beispiel **G** in **Abb. 54**) hinzufügen, das nur die Öffnungsbewegung verursachen wird.

Um diese Photozellenpaare korrekt anzuordnen, siehe die **Abb. 54**.

Damit die Steuerung das einzelne Photozellenpaar und seine zugeordnete Funktion erkennt, muss seine Adressierung durch das Einschalten von einer oder zwei elektrischen Überbrückungen (**Tabelle 3**) oder gar keiner Überbrückung (**Tabelle 3**) ausgeführt werden. Wenn die Steuerung dann das Input durch die Photozellen erhält, wird sie dem Antrieb die entsprechende Bewegung ausführen lassen.

Die Adressierung muss sowohl an Photozelle TX als auch an Photozelle RX wie folgend ausgeführt werden:

Für die Photozellen "A-B-C-D-E-F"

Die folgenden Hinweise beachten:

- **die elektrischen Überbrückungen müssen an den beiden Photozellen mit gleicher Konfiguration ausgeführt sein;**
- **eine Konfiguration, die für ein Photozellenpaar bereits benutzt wurde, darf für andere Photozellen NICHT benutzt werden.**

Wie folgend vorgehen, um diese Photozellenpaare zu programmieren (falls in Ihrer Anlage vorhanden):

01. Den Deckel der Photozelle öffnen.

02. In **Abb. 54** die Stellung finden, in der die Photozellen installiert sind, die man programmieren will.

03. Die gewünschte Konfiguration in **Tabelle 3** wählen und die elektrischen Überbrückungen in den beiden Photozellen einschalten.

Für die Photozellen "G"

Die folgenden Hinweise beachten:

- Diese Photozellen haben eine andere Aufgabe (sie steuern die Automation) und müssen daher in einem bestimmten Abstand von den anderen installiert werden, um Interferenzen zu vermeiden.
- Diese Photozellen bleiben auch bei Stromausfall und nicht aktiver Automation gespeist. Wenn die Anlage über eine Pufferbatterie verfügt, wird ihre übliche Lebensdauer kürzer sein (siehe SCHRITT 6.6).

Um diese Photozellenpaare zu programmieren (falls in Ihrer Anlage vorhanden) brauchen Sie keine elektrische Überbrückung einschalten (siehe **Tabelle 3**).

54

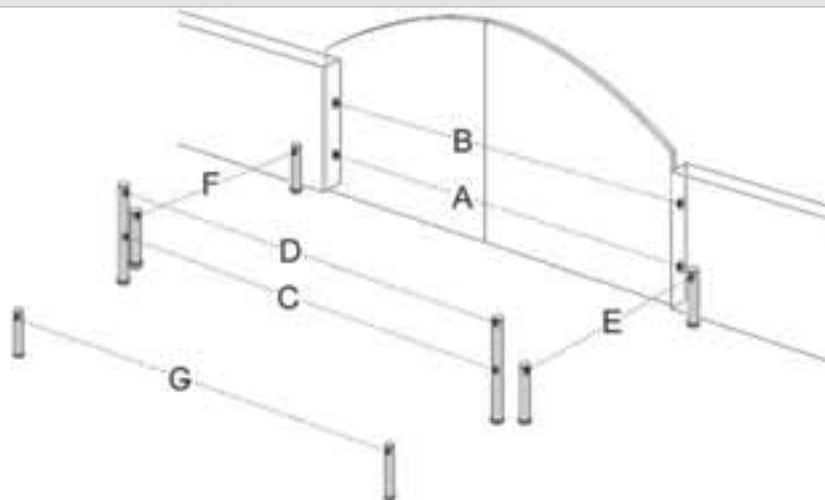


TABELLE 3

Paar Photozellen	Elektrische Überbrückungen	Paar Photozellen	Elektrische Überbrückungen
A Photozellen H = 50 cm (lösen aus, wenn sich das Tor in Schließung befindet)		E Photozellen rechts (lösen aus, wenn sich das Tor in Öffnung befindet)	
B Photozellen H = 100 cm (lösen aus, wenn sich das Tor in Schließung befindet)		F Photozellen links (lösen aus, wenn sich das Tor in Öffnung befindet)	
C Photozellen H = 50 cm (lösen aus, wenn sich das Tor in Öffnung oder in Schließung befindet)		G Photozellen nur für die Öffnung des Tors	
D Photozellen H = 100 cm (lösen aus, wenn sich das Tor in Öffnung oder in Schließung befindet)			

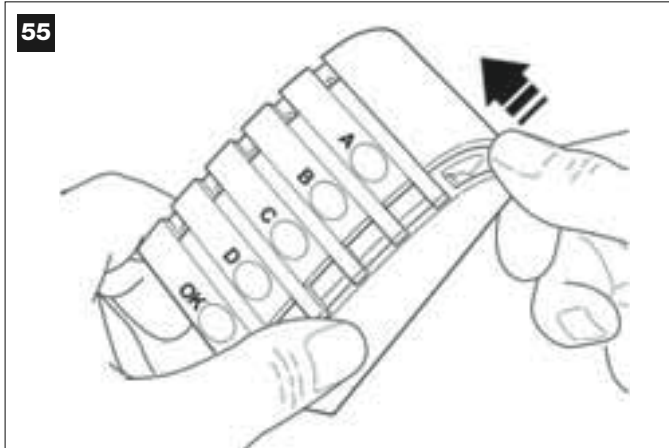
6.5 – INSTALLIEREN UND ANSCHLIEßEN DER TASTATUR Mod. MK

Die Steuertastatur wird an der Wand befestigt und steuert die Automation über eine Bus-Verbindung. In einer Anlage können bis zu 4 Steuertastaturen installiert werden. Die Vorrichtung kann auf zwei Betriebsmodi programmiert sein: *konventioneller Modus* (jede Taste führt eine ihr zugeordnete spezifische Funktion aus – *werkseitig eingestellter Modus*) und *Sicherheitsmodus* (damit eine Bewegung erfolgt, muss ein vom Benutzer eingestellter Geheimcode eingetippt werden). Die Tastatur ist für schlechte Lichtverhältnisse rückseitig beleuchtet.

Wie folgend vorgehen, um die Steuertastatur zu installieren und anzuschließen:

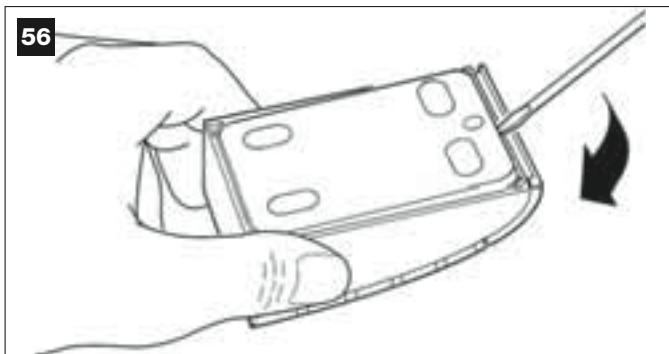
01. Abb. 55:

Den Deckel der Tastatur entfernen, indem seitlich geschoben wird, wie auf der Abbildung gezeigt.



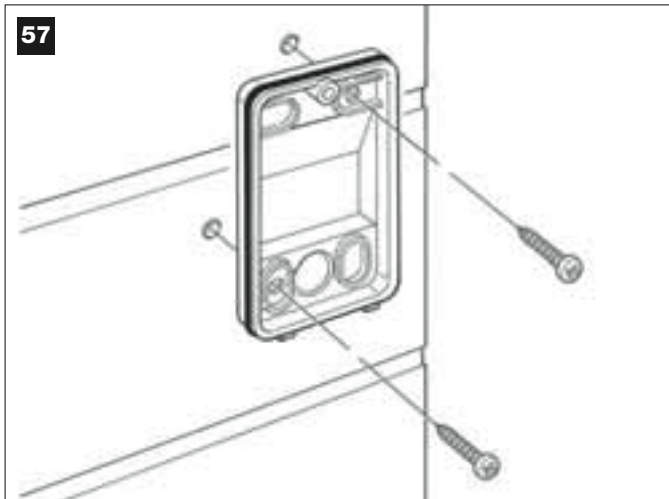
02. Abb. 56:

Den Boden der Tastatur mit einem Schraubenzieher öffnen und abnehmen.



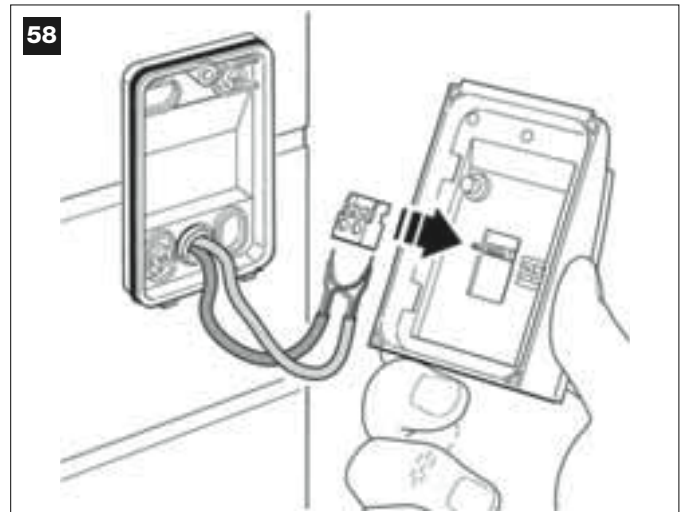
03. Abb. 57:

a) im Boden das Teil, das zum Durchführen der Anschlusskabel bereits vorbereitet ist, mit einer Bohrmaschine lochen.
b) Das Kabel durch das gebohrte Loch führen und den Boden der Tastatur mit seinen Schrauben an der Mauer befestigen.



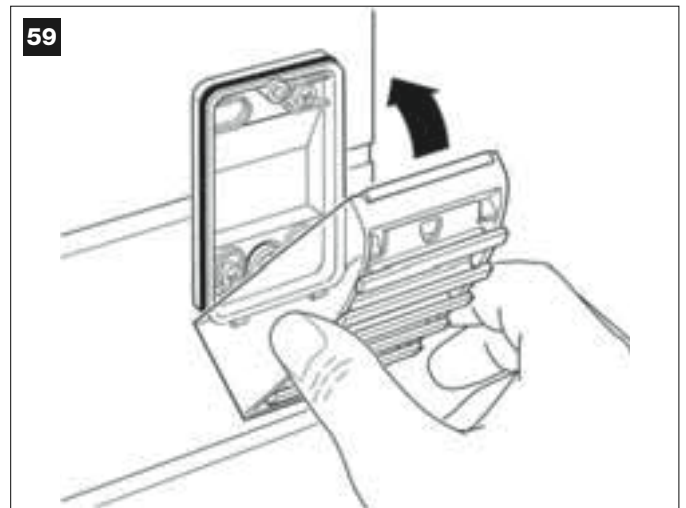
04. Abb. 58:

a) Die Drähte des Kabels mit den entsprechenden Klemmen verbinden.
b) Den Verbinder des Kabels in den Male-Verbinder an der Rückseite der Tastatur stecken.



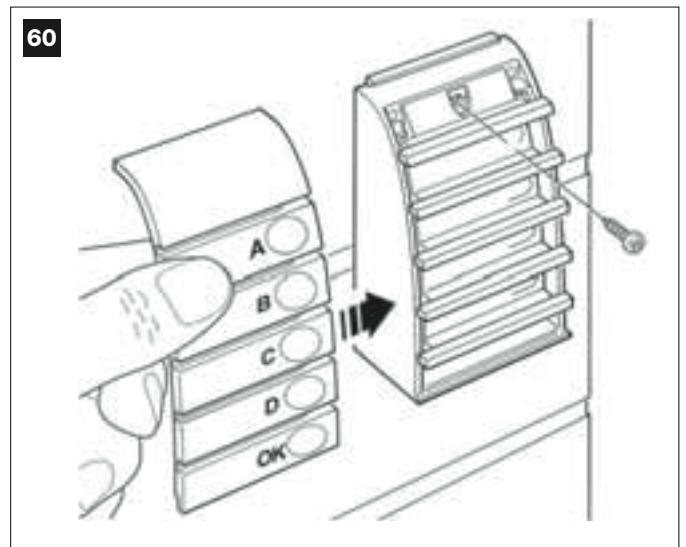
05. Abb. 59:

Den Deckel wieder anbringen, so dass sich seine Zahnung in jene des Bodens der Tastatur einspannt.



06. Abb. 60:

Den Deckel der Tastatur mit der mitgelieferten Schraube am Boden befestigen. Dann die Schraubenabdeckung wieder anbringen, wie auf der Abbildung gezeigt.

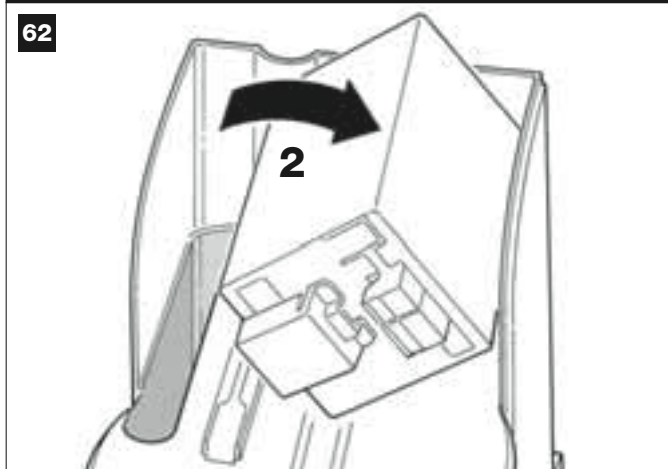
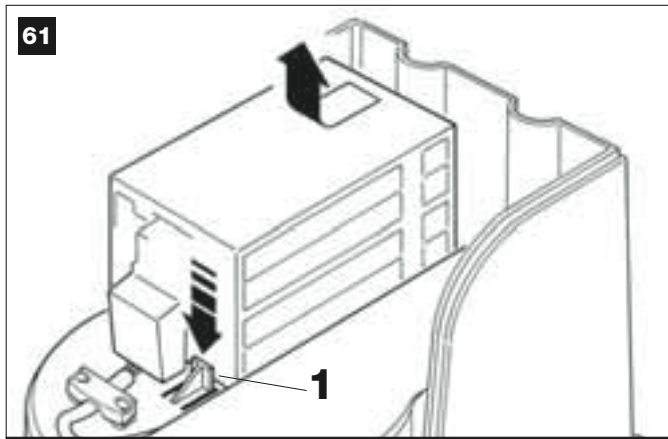


6.6 – INSTALLIEREN DER PUFFERBATTERIE Mod. MB

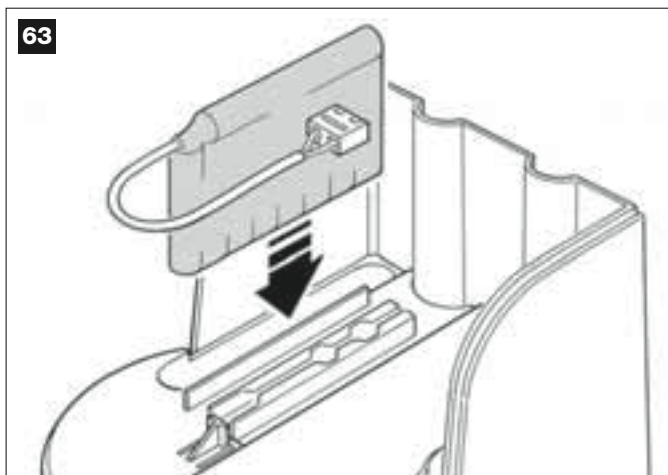
Die Pufferbatterie ladet sich selbst auf, mit einer Spannung von 12V und einer Leistung von 2100mAh. Sie ist besonders bei Stromausfall nützlich. Im Antrieb mit Steuerung kann 1 Batterie installiert werden. Je nach Typ und Gewicht des Tors garantiert die geladene Batterie eine Autonomie von ca. 6 – 7 Bewegungszyklen nacheinander (1 Zyklus = Öffnung – Schließung).

Der Raum, wo die Pufferbatterie untergebracht werden muss, befindet sich unter der Steuerung. Für den Einbau daher wie folgend vorgehen:

01. Die Schrauben des Kabelhalters mit einem Kreuzschraubenzieher ausdrehen, um das Stromkabel frei zu machen und damit die Steuerung aus ihrem Sitz verschoben werden kann.
02. **Abb. 61-62:** Mit einem Finger auf den Flügel (1) drücken, der die Steuerung blockiert; die Steuerung mit der anderen Hand vorwärts und gleichzeitig nach oben schieben (2), um sie aus der Führung auszuspannen, dann herausnehmen.



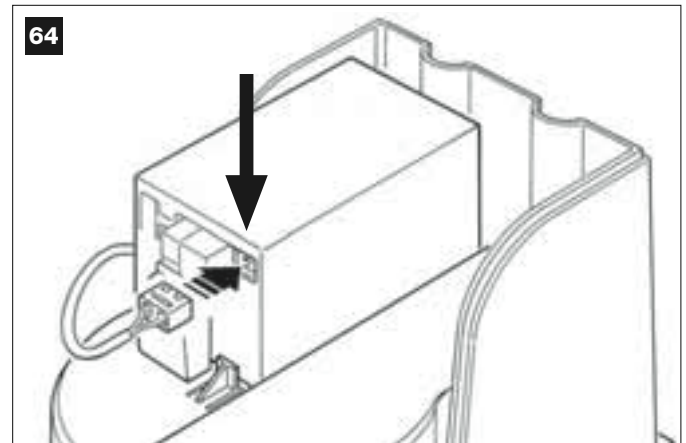
03. **Abb. 63:** Die Batterie im Abteil unter der Steuerung unterbringen.



04. Die Steuerung wie folgend wieder in ihren Sitz einbauen:
 - a) die Steuerung auf ihrer Führung anbringen.
 - b) nach unten schieben und gleichzeitig nach hinten ziehen, bis man ein Einrastgeräusch hört.

ACHTUNG! – Der nächste Punkt (05 – elektrischer Anschluss der Pufferbatterie an der Steuerung) darf erst ausgeführt werden, nachdem alle Installations- und Programmierungsschritte beendet sind, da die Batterie eine elektrische Notversorgung ist.

05. **Abb. 64:** Nun den Verbinder der Batterie in den Male-Verbinder an der Steuerung stecken.



WICHTIGE HINWEISE

Um die Lebensdauer der Pufferbatterie zu garantieren, sollten Sie folgende Hinweise beachten:

- Die Pufferbatterie ist eine Notvorrichtung. Sie sollte daher nur im Notfall und selten benutzt werden. Ihr zu häufiger oder ständiger Gebrauch kann eine Überhitzung der Elemente verursachen und im Lauf der Zeit wäre die normale Lebensdauer der Batterie nicht garantiert.
- Lassen Sie Ihre Automation nie länger als einen Tag nur durch die Pufferbatterie gespeist: ihre Elemente könnten sich zu stark entladen, mit einer Verkürzung ihrer Dauer. Wenn Sie daher eine längere Abwesenheit vom Installationsort Ihrer Automation vorsehen, trennen Sie die Klemme ab, mit der die Batterie an der Steuerung angeschlossen ist.
- Für das vollständige Aufladen der ganz leeren Pufferbatterie sind ca. 24 Stunden nötig.
- Um im Fall einer längeren Nichtbenutzung der Automation Schadstoffverluste aus der Batterie zu vermeiden, sollte sie herausgenommen und trocken aufbewahrt werden.

Entsorgung der Batterie

Achtung! - Die leere Batterie enthält Schadstoffe und darf daher nicht in den Hausmüll gegeben werden. Sie muss nach den örtlich gültigen Vorschriften differenziert entsorgt werden.

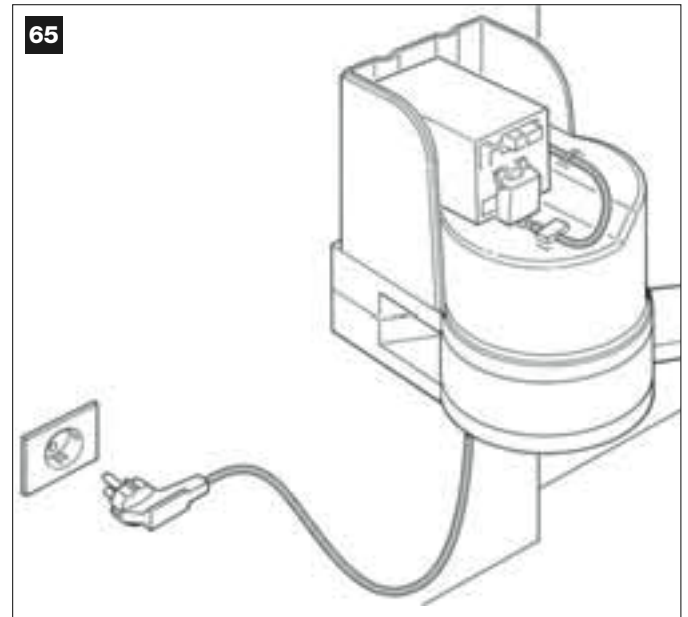
SCHRITT 7

WICHTIGE HINWEISE!

– Das mit dem Produkt gelieferte PVC-Versorgungskabel macht ihn für Innenanwendungen geeignet, für Außenanwendungen muss das ganze Kabel mit einem Isoliermantel geschützt werden oder das Kabel kann mit einem anderen Kabel zum Beispiel vom Typ H07RN-F ersetzt werden.

– Der endgültige Anschluss der Automation am Stromnetz oder der Ersatz des mitgelieferten Kabels darf ausschließlich und unter Einhaltung der örtlich gültigen Sicherheitsvorschriften und der Anweisungen in "Dem Fachtechniker vorbehaltenen Tätigkeiten" ausgeführt werden.

Um die Funktionsprüfungen und die Programmierung der Automation auszuführen, die Steuerung mit Spannung versorgen, indem der Stecker des mitgelieferten Stromkabels in eine Steckdose gesteckt wird (Abb. 65). Falls die Steckdose weiter entfernt von der Automation ist, kann in dieser Phase eine Verlängerung benutzt werden.



ERSTES EINSCHALTEN UND ÜBERPRÜFUNG DER ELEKTRISCHEN ANSCHLÜSSE

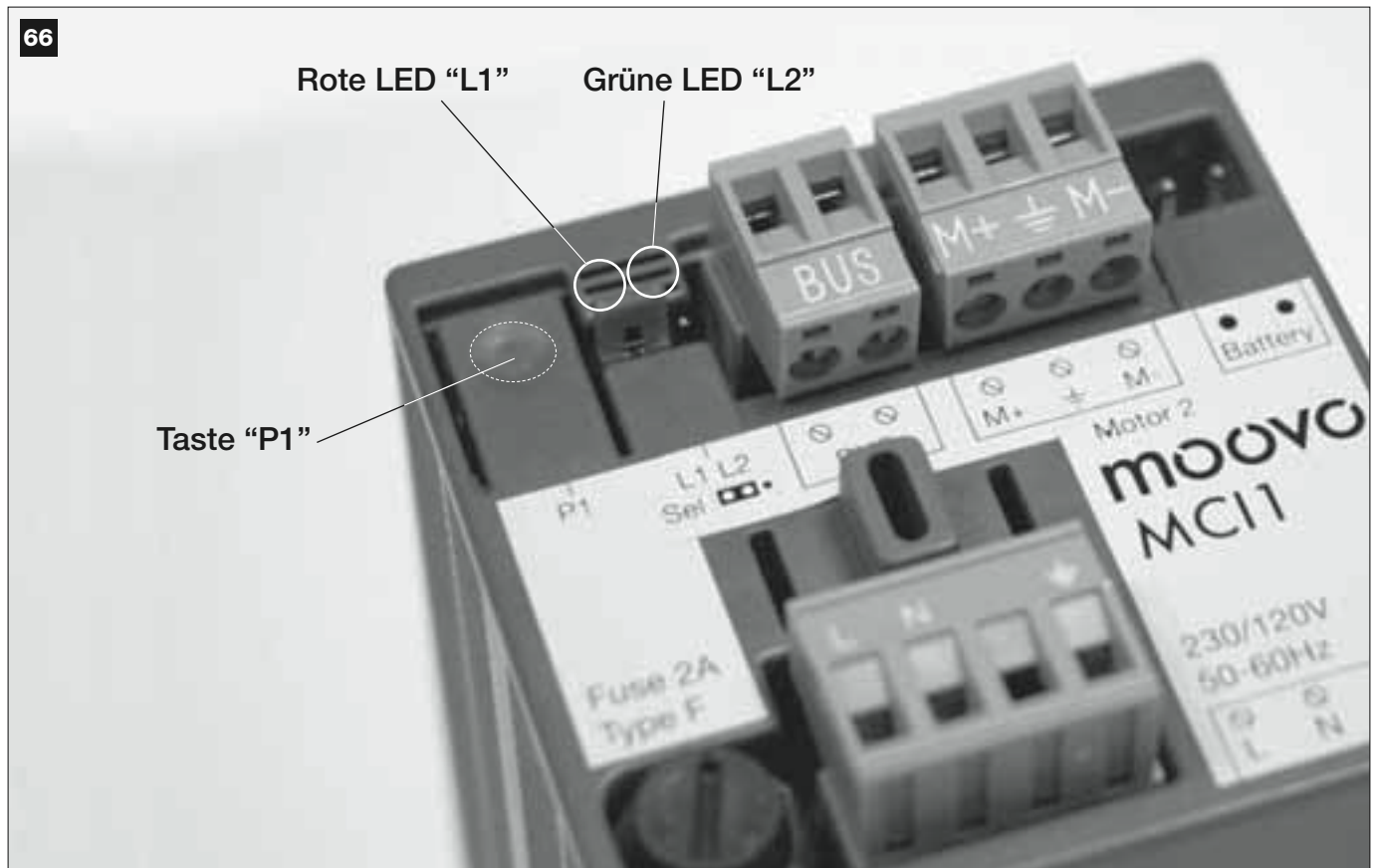
SCHRITT 8

ACHTUNG! – Alle hier folgend im Handbuch beschriebenen Vorgänge werden an unter Spannung stehenden elektrischen Kreisläufen ausgeführt, die Vorgänge könnten daher gefährlich sein! Daher sehr aufmerksam vorgehen.

Nachdem die Steuerung mit Spannung versorgt ist (Abb. 65), werden die rote und die grüne LED (Abb. 66) mehrmals blinken.

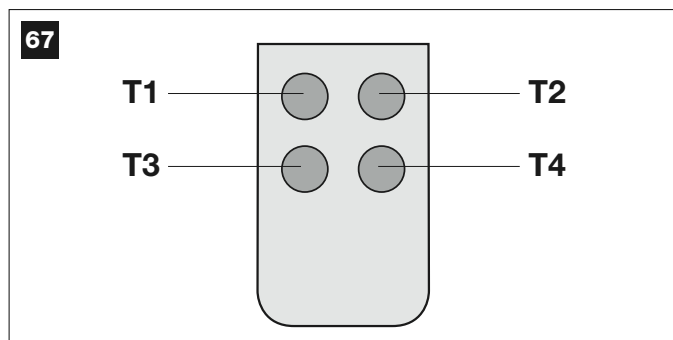
Danach wird die rote LED in regelmäßigen Abständen blinken. Das bestätigt den ordnungsgemäßen Betrieb der Steuerung.

Achtung! – Sollte die rote LED nicht wie beschrieben blinken, die elektrische Versorgung zur Steuerung abschalten und die durchgeführten Anschlüsse genau überprüfen (siehe auch das Kapitel "Was tun, wenn...").



HINWEISE zur Programmierung:

- **Lesen Sie bitte zuerst** die Verfahren und **führen Sie danach** die beschriebenen Vorgänge **eines jeden Verfahrens nacheinander aus**.
- **In dieser Anleitung sind die Sendertasten mit Zahlen gekennzeichnet.** Für die Übereinstimmung der genannten **Zahlen mit den Tasten** des Senders siehe die **Abb. 67**.



SCHRITT 9

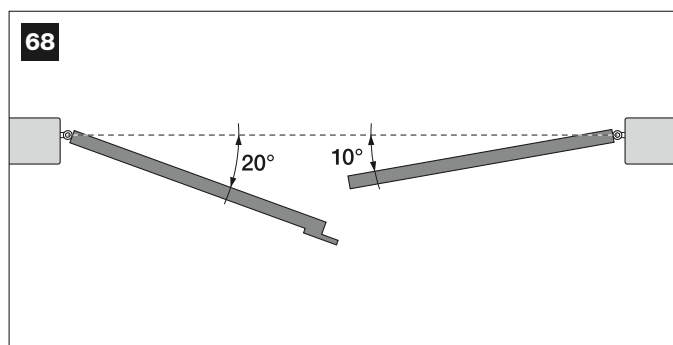
9.1 – SPEICHERUNG DER ÜBER “BUS”-KABEL ANGESCHLOSSENEN VORRICHTUNGEN UND DER ENDLAUFSTELLUNGEN “0” UND “1” DER TORFLÜGEL

Programmieren der Steuerung, indem die folgenden Vorgänge der Reihe nach ausgeführt werden:

Anmerkung – Das Verfahren kann während seiner Durchführung jederzeit beendet werden (ohne Speicherung der durchgeführten Handlungen), indem **1 Mal** auf die Taste **“P1”** an der Steuerung gedrückt wird (**Abb. 66**). Ab Punkt 07 kann das Verfahren auch durch die Auslösung einer Sicherheitsvorrichtung (Photozellen oder sonstiges) beendet werden.

01. (am Tor)

Die beiden Antriebe mit dem Schlüssel entriegeln (siehe das Kapitel **“Manuelles Blockieren und Entriegeln des Antriebs”** im Abschnitt **“TECHNISCHE DOKUMENTATION”**) und die beiden Torflügel von Hand in die in **Abb. 68** gezeigte Stellung verschieben. Dann die Antriebe wieder blockieren.



02. (an der Steuerung)

Die Taste **“P1”** mindestens **5 Sekunden** gedrückt halten, bis sich die grüne LED ausschaltet und die rote LED einschaltet (*diese bleibt bis zum Ende des Verfahrens eingeschaltet*). Dann die Taste loslassen und die folgenden Vorgänge ausführen:

03. (an den Sicherheitsphotozellen)

Anmerkung – Die für diese Überprüfung zur Verfügung stehende Zeit ist unbegrenzt.

Den korrekten Betrieb dieser Photozellen überprüfen und sicherstellen, dass ihre LED **langsam blinkt**. Falls die LED dagegen ein- oder ausgeschaltet ist, muss die Fluchtung der Photozellen berichtigt werden. *Das Blinken muss so langsam wie möglich sein (je langsamer das Blinken ist, desto besser wird die Fluchtung der Photozellen sein).*

- Langsames Blinken = korrekte Fluchtung der Photozellen;
- Fest leuchtendes Licht = unkorrekte Fluchtung (die Photozellen neu fluchten);

- Licht aus = falsche Installation der Photozellen (die “Bus”-Verbindung der Photozellen kontrollieren).

04. (an den Photozellen mit Schaltfunktion)

Die Aktivierung dieser Photozellen ausführen (falls in der Anlage vorhanden), indem ihr Strahl **nur einmal** unterbrochen wird. Die Bestätigung der erfolgten Erlernung wird von der Blinkleuchte (**1 Mal Blinken**) und der Tastatur (**1 Biepton**) gegeben, falls diese in der Anlage vorhanden sind.

05. (an den Tastaturen)

Die Aktivierung der Tastaturen ausführen (falls in der Anlage vorhanden), indem an jeder Tastatur **nur ein Mal auf nur eine**, beliebige Taste gedrückt wird.

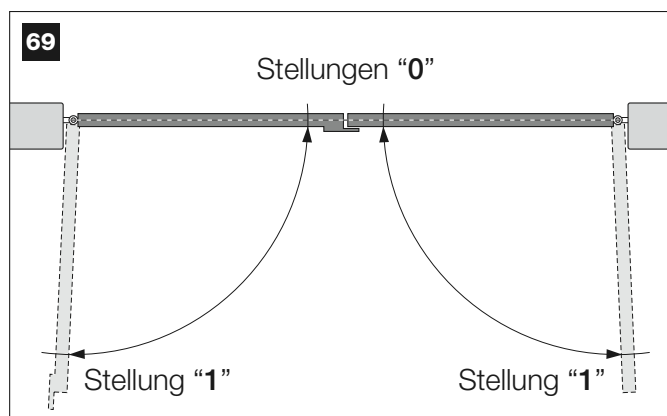
Die Bestätigung der erfolgten Erlernung wird durch 2 aufeinander folgende Töne (**Bieptöne**) der Tastatur und ein Blinken der Blinkleuchte gegeben, falls diese in der Anlage vorhanden ist.

06. (an der Steuerung)

Die Taste **“P1”** mindestens **5 Sekunden** gedrückt halten, bis sich die grüne LED ausschaltet. Dann die Taste loslassen.

07. (am Tor)

Anmerkung – mit den hier folgend angegebenen Bewegungen speichert die Steuerung selbsttätig die Stellungen von Punkt **“0”** (Vollständige Schließung) und von Punkt **“1”** (Vollständige Öffnung), wie in **Abb. 69** gezeigt.



Nun wird die Steuerung automatisch 3 Bewegungen starten, die auch durch die Blinkleuchte gemeldet werden:

- 1 - Schließung** von Torflügel 2, dann Schließung von Torflügel 1.
- 2 - Öffnung** der beiden Torflügel.
- 3 - Schließung** der beiden Torflügel.

Am Ende der letzten Bewegung schaltet sich die rote LED aus (= Verfahren beendet) und blinkt dann in regelmäßigen Abständen.

Achtung! – Sobald die erste Bewegung beginnt, muss sofort geprüft werden, dass:

- a – sich der Torflügel 2 vor dem Torflügel 1 bewegt;
- b – sich der Torflügel 2 in Schließung bewegt.

Sollte das Ergebnis dieser Überprüfungen nicht mit dem Beschriebenen übereinstimmen, muss das Verfahren unverzüglich angehalten werden, indem **1 Mal** auf Taste **“P1”** an der Steuerung gedrückt wird. Dann das Problem **“a”** und **“b”** lösen – siehe SCHRITT 6.1. Abschließend das ganze Verfahren 9.1 erneut ausführen.

Speicherung von Vorrichtungen, die erst zukünftig über “Bus”-Kabel angeschlossen werden

Wenn man in der Zukunft neue Vorrichtungen installieren und über Bus-Kabel an der Steuerung anschließen will und **das Verfahren 9.1 bereits ausgeführt wurde**, können die neuen Vorrichtungen mit demselben Verfahren, **angefangen bei Punkt 01 bis Punkt 06**, gespeichert werden. Am Ende **1 Mal** auf Taste **“P1”** an der Steuerung drücken, um die Speicherung zu beenden.

9.2 – SPEICHERUNG DES SENDERS Mod. MT4

Achtung! – **Lesen Sie bitte zuerst das Verfahren und führen Sie danach die beschriebenen Vorgänge nacheinander aus** – die Zeit zwischen dem Loslassen einer Taste und dem Druck auf die nächste darf nicht länger als **10 Sekunden** sein.

Damit man die Automation mit dem Sender steuern kann, müssen seine Tasten in der Steuerung gespeichert sein.

Mit der Speicherung kann jeder Taste der gewünschte Befehl zugeordnet werden. Die zur Verfügung stehenden Befehle sind:

1 = Schrittbetrieb: entspricht der Sequenz ... *Öffnet - Stopp - Schließt - Stopp* ... Der erste Steuerbefehl aktiviert die Öffnung, der nächste (mit sich bewegendem Torflügel) ein *Stopp*, der dritte die Schließung, der vierte (mit sich bewegendem Torflügel) ein *Stopp*, usw.

2 = Schrittbetrieb-Öffnet: entspricht der Sequenz ... *Öffnet - Stopp - Schließt - Öffnet* ... Der erste Steuerbefehl aktiviert die Öffnung, der nächste (mit sich bewegendem Torflügel) ein *Stopp*, der dritte die Schließung, der vierte (mit sich bewegendem Torflügel) die Öffnung, usw.

3 = Teilöffnung: entspricht der vollständigen Öffnung von nur einem Torflügel. Dieser Befehl wirkt nur, wenn der **Torflügel 2** (der untere) ganz geschlossen ist.

4 = Wohnblocköffnung: Dieser Befehl dient für die Benutzung in Wohnblöcken. An allen Sendern der Bewohner wird nur die Taste "Wohnblocköffnung" programmiert sein. Der Befehl funktioniert wie folgend:

- wenn man den Befehl sendet, solange eine *Öffnungsbewegung* im Gang ist, wird die Bewegung fortgesetzt;
- wenn man den Befehl sendet, solange eine *Schließbewegung* im Gang ist, unterbricht sich diese und es startet eine *Öffnungsbewegung*;
- wenn man den Befehl sendet, wenn das Tor steht und ganz geöffnet ist, startet eine *Schließbewegung*. **Anmerkung** – Man kann auch die **automatische Schließung** des Tors programmieren, indem man die gewünschte *Pausezeit* eingibt (siehe das Kapitel 10).

Die einzelne Durchführung des Verfahrens speichert **eine einzelne Taste** des Senders; dieser kann sowohl in der vorliegenden Steuerung als auch in Steuerungen anderer Automationen gespeichert sein. Im Speicher der Steuerung können bis zu 150 Tasten gespeichert werden. Das folgende Verfahren für jede Taste wiederholen, die man speichern will.

- 01.** Bestimmen, welche **Taste** des Senders man speichern will (Beispiel: *Taste T3*).
- 02.** Bestimmen, welcher **Befehl** der vorher angegebenen der gewählten Taste zugeordnet werden soll (Beispiel: *Befehl "2"*).
- 03.** Dann **sooft** auf die Taste "**P1**" an der Steuerung drücken, **wie die Zahl des gewählten Befehls ist** (in unserem Beispiel "**2**" Mal) und prüfen, ob die grüne LED genauso oft schnell blinkt (dieses Blinken wird sich regelmäßig wiederholen).
- 04.** (innerhalb von 10 Sekunden) Mindestens 2 Sekunden lang auf die Sendertaste drücken, die man speichern will (in unserem Beispiel *Taste "T3"*).

Die grüne LED wird 3 Mal lang blinken, falls die Speicherung erfolgreich war (= *Speicherung OK*). **Anmerkung** – Vor dem Ablauf der 10 Sekunden kann **eine Taste eines NEUEN Senders mit demselben Befehl** gespeichert werden (was zum Beispiel nützlich ist, wenn man mehrere Sender in derselben Steuerung speichern muss).

Andernfalls warten, bis sich die grüne LED ausschaltet (= *Verfahren beendet*) und die rote LED wieder regelmäßig blinkt.

9.3 – PROGRAMMIERUNG DER TASTATUR Mod. MK

Die Steuertastatur kann entweder auf den einen oder den anderen der folgenden Betriebsmodi programmiert werden:

- **KONVENTIONELLER Betriebsmodus** (kein individuelles Passwort)
- **SICHERHEITSMODUS** (mit individuellem Passwort)

Nach ihrer Speicherung (siehe **SCHRITT 9.1**) ist die Tastatur auf den « Konventionellen Betriebsmodus » eingestellt (*werkseitige Einstellung*). Der Modus kann wie folgend beschrieben geändert werden.

"Konventioneller" Betriebsmodus

In diesem Modus sind die Tasten unabhängig. Jede Taste verursacht eine spezifische Handlung. Die Befehle sind:

- Taste "**A**" = Befehl **Schrittbetrieb**
- Taste "**B**" = Befehl "**Teilöffnung**"
- Taste "**C**" = Befehl **Öffnet**
- Taste "**D**" = Befehl **Schließt**
- Taste "**OK**" = Befehl **Stopp**

Sicherheitsmodus

In diesem Modus funktioniert die Tastatur, wenn ein vom Benutzer bestimmtes Passwort (von 1 bis 10 Buchstaben) eingetippt und mit Taste "**OK**" bestätigt wird. Mit dieser Tastenkombination sendet die Tastatur nur den Befehl, der vom Benutzer während der Programmierung des Modus eingestellt wurde.

Anmerkung – Wenn der Befehl *Schrittbetrieb* programmiert ist, hat man 10 Sekunden zur Verfügung, um einen eventuellen weiteren Befehl zu senden, indem einfach auf Taste "**OK**" gedrückt wird. Auf diese Weise braucht man das Passwort nicht erneut eintippen.

PROGRAMMIERUNG DES "SICHERHEITSMODUS"

- 01.** Die Tasten "**A**" und "**B**" ein paar Sekunden lang gleichzeitig gedrückt halten, bis die Tastatur eine Tönesequenz (*Bieptöne*) abgibt, die den Beginn der Programmierung meldet.
- 02.** Den "*PUK-Code*" (mit der Tastatur gelieferter Code, bestehend aus 10 Buchstaben) mit den Tasten der Tastatur eingeben, dann auf Taste "**OK**" drücken.
Falls der Code korrekt ist, gibt die Tastatur eine Reihe Töne (*Bieptöne*) ab; falls er falsch ist, wird nur ein Dauerton abgegeben.
- 03.** Ein *individuelles Passwort* (von 1 bis 10 Buchstaben) mit den Tasten der Tastatur eingeben, dann auf Taste "**OK**" drücken.
Die Tastatur gibt eine Reihe Töne (*Bieptöne*) ab.
- 04.** Dann in der Liste unten den Befehl wählen, den man programmieren will, und an der Tastatur auf **die dem Befehl zugeordnete Taste** und dann auf Taste "**OK**" drücken:

Befehl Schrittbetrieb	= Taste A
Befehl " Teilöffnung "	= Taste B
Befehl Öffnet	= Taste C
Befehl Schließt	= Taste D
Befehl Stopp	= Taste OK

Die Tastatur gibt eine Reihe Töne (*Bieptöne*) ab, die das Ende dieser Programmierung melden.

Ändern des individuellen Passwortes

Wenn man sein Passwort ändern will, das ganze Verfahren "Sicherheitsmodus" erneut ausführen und das existierende Passwort in Punkt 03 ändern.

PROGRAMMIERUNG DES "KONVENTIONELLEN" BETRIEBSMODUS

Zur Programmierung dieses Betriebsmodus, das Verfahren "Programmierung des Sicherheitsmodus" ausführen und in den Punkten 03 und 04 nur auf Taste "**OK**" drücken.

Die Steuerung verfügt über mehrere Sonderfunktionen, die der Automation spezifische Funktionalitäten hinzufügen und diese je nach Ihrem Bedarf personalisieren.

10 – EINSTELLUNG DER FUNKTIONEN DER AUTOMATION

Um die Automation zu personalisieren, können mehrere Funktionen aktiviert bzw. deaktiviert werden. Weiterhin ist es möglich, ihren Wert einzustellen. Diese Funktionen sind:

• **AUTOMATISCHE SCHLIEßUNG DER TORFLÜGEL.** Wenn diese Funktion aktiviert ist, wird die Steuerung das Tor am Ende einer vom Benutzer befohlenen *Öffnungsbewegung* nach einer bestimmten Zeit automatisch schließen.

• **BEWEGUNGSGESCHWINDIGKEIT DER TORFLÜGEL.** Mit dieser Funktion kann die Geschwindigkeit eingestellt werden, mit der die Automation die Torflügel bewegen soll.

• **EMPFINDLICHKEIT DER TORFLÜGEL HINDERNISSEN GEGENÜBER.** Falls die Torflügel während einer Bewegung durch ein zufälliges Hindernis gebremst werden (ein Windstoß, ein Fahrzeug, eine Person, usw.), misst diese Funktion unverzüglich den erhöhten Kraftaufwand des Antriebs und verursacht eine sofortige und vollständige Reversierung der Bewegung. Wenn die "automatische Schließung der Torflügel" eingestellt ist, macht die Steuerung einen zweiten Versuch und stoppt die Bewegung endgültig beim dritten Versuch nach einer kurzen Reversierung.

• **DRUCKENTLADUNG AN DEN TORFLÜGELN.** Nachdem die Torflügel am Ende der *Schließbewegung* den Endanschlag "0" erreicht haben, wird der Antrieb die Torflügel noch kurz schieben und so eine einwandfreie Schließung gewährleisten. Gleich danach verursacht diese Funktion eine sehr kurze Reversierung, um den überschüssigen Druck zu entladen, den der Antrieb auf die Torflügel ausübt.

Die Werte dieser Funktionen können mit dem folgenden Verfahren und einem Sender, der mindestens eine bereits in der Steuerung gespeicherte Taste besitzt, je nach Bedarf eingestellt werden.

Anmerkung – Während des Verfahrens wird die Blinkleuchte bei jedem Druck auf eine Taste einmal blinken.

01. Mindestens **5 Sekunden** lang gleichzeitig auf die Tasten "T1" und "T2" des Senders drücken und dann loslassen.

An der Steuerung blinken die beiden LEDs (grün und rot) und melden so den Beginn der "Programmierung der Funktionen" (die LEDs werden während des ganzen Verfahrens blinken).

02. Eine Taste an dem Sender, der bereits in jener Steuerung gespeichert ist, mindestens **1 Sekunde** lang gedrückt halten (die grüne LED wird 1 Mal blinken).

03. Dann eine der vier verfügbaren Funktionen wählen und am Sender die Taste, die der gewählten Funktion zugeordnet ist, mindestens **1 Sekunde** lang gedrückt halten (die grüne LED wird 1 Mal blinken).

- **Automatische Schließung der Torflügel** = (auf Taste "T1" drücken)
- **Bewegungsgeschwindigkeit der Torflügel** = (auf Taste "T2" drücken)
- **Empfindlichkeit der Torflügel Hindernissen gegenüber** = (auf Taste "T3" drücken)
- **Druckentladung an den Torflügeln** = (auf Taste "T4" drücken)

04. Dann in **Tabelle 4** den gewünschten Wert der gewählten Funktion auswählen und am Sender die Taste, der der gewählte Wert zugeordnet ist, mindestens **1 Sekunde** lang gedrückt halten (die rote und die grüne LED werden als Bestätigung 1 Mal kurz blinken).

TABELLE 4

AUTOMATISCHE SCHLIEßUNG der Torflügel

Keine Schließung → (auf Taste "T1" drücken)

Schließung nach 15 Sekunden → (auf Taste "T2" drücken)

Schließung nach 30 Sekunden → (auf Taste "T3" drücken)

Schließung nach 60 Sekunden → (auf Taste "T4" drücken)

BEWEGUNGSGESCHWINDIGKEIT der Torflügel

Langsam → (auf Taste "T1" drücken)

Mittel-Langsam → (auf Taste "T2" drücken)

Mittel-Hoch → (auf Taste "T3" drücken)

Hoch → (auf Taste "T4" drücken)

EMPFINDLICHKEIT der Torflügel Hindernissen gegenüber

Hoch → (auf Taste "T1" drücken)

Mittel-Hoch → (auf Taste "T2" drücken)

Mittel-Langsam → (auf Taste "T3" drücken)

Niedrig → (auf Taste "T4" drücken)

DRUCKENTLADUNG an den Torflügeln

Keine Entladung → (auf Taste "T1" drücken) (*)

Minimal → (auf Taste "T2" drücken)

Mittel → (auf Taste "T3" drücken)

Maximal → (auf Taste "T4" drücken)

Anmerkungen zur Tabelle 4:

- (*) Es wird empfohlen, diesen Wert NIE einzustellen.
- In der Tabelle sind die für jede der 4 Sonderfunktionen verfügbaren Werte und die entsprechende Taste angegeben, die am Sender gedrückt werden muss, um jenen Wert einzustellen.
- Die werkseitig eingestellten Werte sind in grau angegeben.
- Nach einem Stromausfall wird die Automation die erste Bewegung unabhängig von der eingestellten Geschwindigkeit mit reduzierter Geschwindigkeit ausführen.

11 – SPEICHERUNG EINES NEUEN SENDERS MIT DEM VERFAHREN IN DER NÄHE DER STEUERUNG [mit einem bereits gespeicherten Sender]

Ein NEUER Sender kann ohne direkte Betätigung der Taste "P1" der Steuerung gespeichert werden, indem man einfach in ihrer Reichweite vorgeht. Um das Verfahren durchzuführen, muss ein bereits gespeicherter und funktionierender ALTER Sender zur Verfügung stehen. Durch das Verfahren wird der NEUE Sender die Einstellungen des ALTEN erhalten.

Wichtiger Hinweis – Das Verfahren muss in der Reichweite des Empfängers ausgeführt werden (max. Entfernung vom Empfänger 10-20 m).

- 01.** Am NEUEN Sender, mindestens **5 Sekunden** lang auf die Taste drücken, die man speichern will, dann loslassen.
- 02.** Am ALTEN Sender, **3 Mal** langsam auf die Taste mit dem Befehl drücken, den man im anderen Sender speichern will.
- 03.** Am NEUEN Sender, **1 Mal** auf die vorher in Punkt 01 gedrückte Taste drücken.

Anmerkung – Das Verfahren muss für jede Taste wiederholt werden, die man speichern will.

12 – LÖSCHEN DER DATEN AUS DEM SPEICHER DER STEUERUNG

Die Daten können selektiv oder ganz aus dem Speicher der Steuerung gelöscht werden. Hierzu kann man je nach Bedarf die folgenden Verfahren anwenden:

- Löschen eines Befehls in einem bereits gespeicherter Sender
- Löschen der anderen in der Steuerung gespeicherten Daten

Löschen eines Befehls in einem bereits gespeicherten Sender

Mit dem folgenden Verfahren kann ein einzelner Befehl, der einer Taste des Senders zugeordnet ist, aus dem **Speicher** der Steuerung gelöscht werden.

Anmerkung – Während des Verfahrens werden die rote und die grüne LED fest leuchtend eingeschaltet bleiben.

01. Länger als **10 Sekunden** auf die Taste "**P1**" an der Steuerung drücken (zuerst schaltet sich die **grüne** LED ein, dann nach 5 Sekunden die **rote** und abschließend beide, was bedeutet, dass sich die Steuerung im Modus "Speicher löschen" befindet. (**ACHTUNG!**- die Taste "**P1**" **nicht loslassen!**).
02. Die Taste "**P1**" nicht loslassen und am Sender auf die Taste drücken, die man löschen will: falls die Steuerung diesen Vorgang erkennt, wird die **grüne** LED einmal kurz blinken. Danach können die Taste "**P1**" und die Sendertaste losgelassen werden.

Löschen der anderen in der Steuerung gespeicherten Daten

Mit dem folgenden Verfahren können verschiedene **gespeicherte** Daten aus dem Speicher der Steuerung gelöscht werden, wie in **Tabelle 5** angegeben.

Anmerkung – Während des Verfahrens werden die rote und die grüne LED fest leuchtend eingeschaltet bleiben.

01. Länger als **10 Sekunden** auf die Taste "**P1**" an der Steuerung drücken (zuerst schaltet sich die **grüne** LED ein, dann nach 5 Sekunden die **rote** und abschließend beide, was bedeutet, dass sich die Steuerung im Modus "Speicher löschen") befindet. Dann die Taste loslassen.
02. In **Tabelle 5** die Datengruppe auswählen, die man löschen will und sofort auf Taste "**P1**" drücken, wie die Zahl in Klammern ist (*bei jedem Druck auf Taste "P1" wird die grüne LED einmal blinken*).
03. Falls das Löschen erfolgreich war, werden beide LEDs (rot und grün) nach 5 Sekunden ab dem letzten Druck auf Taste "**P1**" schnell blinken (= Speicher gelöscht!).
Anmerkung – Bevor das Löschen ausgeführt wird, hat man 5 Sekunden Zeit, um seine Entscheidung rückgängig zu machen; in dieser Zeit kann man das Verfahren ohne Löschen von Daten beenden, indem 5 Mal auf Taste "**P1**" gedrückt wird.

WICHTIG! – Nach dem Löschen von "Speicher der Stellungen **0** und **1**" und "GANZER Speicher" muss das Verfahren 9.1 – "**Speicherung der über Bus-Kabel angeschlossenen Vorrichtungen und der Endlaufstellungen 0 und 1 der Torflügel**" erneut ausgeführt werden.

TABELLE 5

- Speicher der Werte der Sonderfunktionen (= **1 Druck**)
- Speicher der Stellungen "**0**" und "**1**" (= **2-maliger Druck**)
- Speicher der Sender (= **3-maliger Druck**)
- GANZER Speicher (= **4-maliger Druck**) *Anmerkung – löscht die drei obigen Speicher auf einmal*



Dem Fachtechniker vorbehaltene Tätigkeiten

ACHTUNG! – Alle im vorliegenden Abschnitt enthaltene Tätigkeiten dürfen ausschließlich durch erfahrenes Fachpersonal unter Einhaltung der Anweisungen im Handbuch und der örtlich gültigen Gesetze und Sicherheitsvorschriften ausgeführt werden.

ANSCHLUSS DER AUTOMATION AM STROMNETZ MIT EINEM ANDEREN KABEL ALS DEM MITGELIEFERTEN

ACHTUNG – Ein falscher Anschluss kann Defekte und/oder Gefahren verursachen, daher die hier angegebenen Anschlüsse genau ausführen.

Falls der Abstand zwischen Tor und Steckdose des fixen Stromnetzes größer ist als die Länge des mitgelieferten Kabels, kann dieses Kabel mit einer geschützten und den Umständen entsprechenden elektrischen Leitung ersetzt werden. Hierzu, ein Stromkabel 3 x 1,5 mm² mit einer Länge unter 30 m verwenden. Für größere Längen, ein Kabel mit einem größeren Durchmesser verwenden, (z. B. 3 x 2,5 mm²); eine Sicherheitserdung in der Nähe der Automation vorsehen. Dann wie folgend vorgehen

Anschluss des neuen Kabels an der Steuerung:

01. Abb. A:

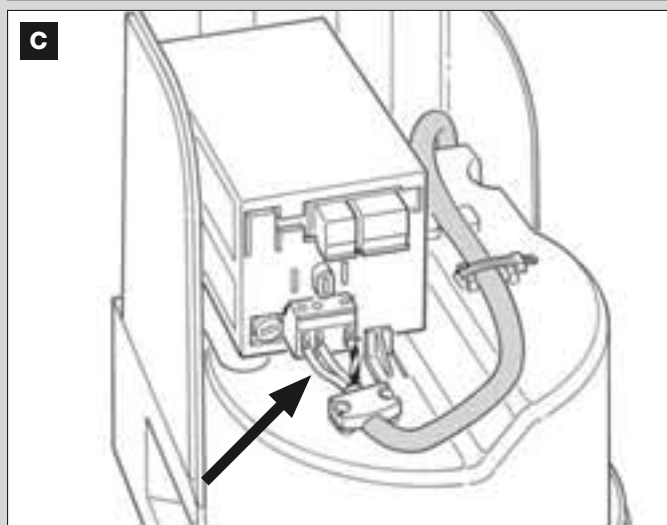
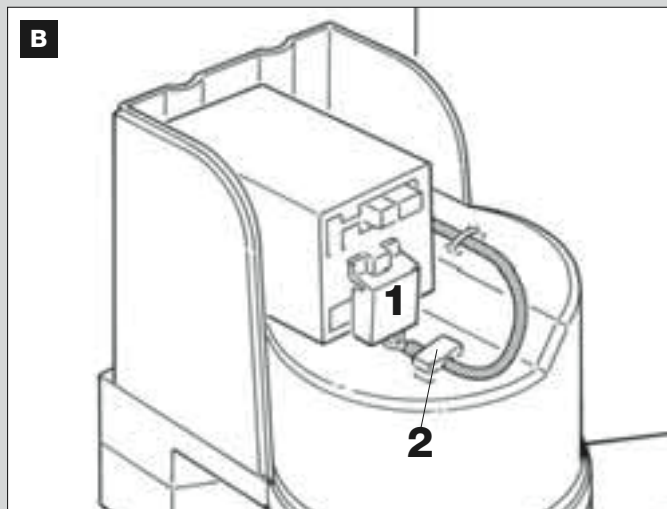
- Die Schraube an der Oberseite des Deckels mit einem Kreuzschraubenzieher ausdrehen.
- Zwei Finger in die beiden Aushöhlungen an der Rückseite des Antriebs stecken und den Deckel nach oben wegziehen, dabei auf seiner Basis Druck ausüben.



02. Abb. B und C – Die Schrauben des Klemmleistendeckels (Abb.B-1) und des Kabelhalters (Abb. B-2) mit einem Kreuzschraubenzieher ausdrehen, um das zu ersetzende Stromkabel frei zu machen und zu entfernen. Dann das neue Stromkabel in der Bohrung an der Unterseite des Antriebs einführen und die Leiter des Kabels mit der

Klemmleiste verbinden, dabei die vorhandenen Symbole beachten.
Anmerkung – die Klemmleiste aus ihrem Sitz nehmen, damit die Drähte leicht angeschlossen werden können.

- Brauner Draht - muss an der "Phase" angeschlossen werden;
- Blauer Draht, muss am "Null" angeschlossen werden;
- Gelb-grüner Draht, muss an der "Erde" angeschlossen werden.



03. Abschließend, den Kabelhalter und den Deckel wieder auf der Klemmleiste anbringen und den Antrieb mit seinem Deckel schließen.

Anschluss des neuen Kabels am Stromnetz:

Achtung! – Bei der Durchführung dieses Anschlusses muss in der Zuleitung (zwischen Automation und Stromnetz) eine Kurzschluss-Schutzvorrichtung eingeschaltet werden.

Weiterhin muss eine Abtrennvorrichtung der Stromversorgung (mit Überspannungsklasse III bzw. Abstand zwischen den Kontakten von mindestens 3 mm) oder ein gleichwertiges System (wie z.B. Steckdose und Stecker) installiert werden.

Bei Bedarf garantiert diese Vorrichtung ein schnelles und sicheres Abtrennen der Spannungsversorgung. Sie muss daher in Sichtweite der Automation angebracht sein. Falls sie in nicht sichtbarer Stellung angebracht ist, muss sie – um Gefahren zu vermeiden - über ein System verfügen, das eine unbeabsichtigte, nicht autorisierte Einschaltung der Spannungsversorgung blockiert.

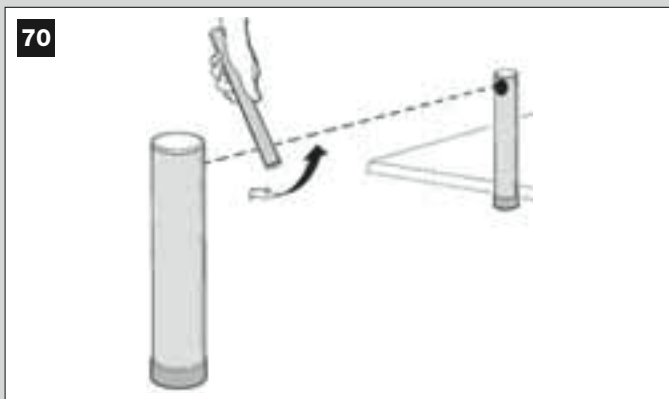
Anmerkung – Die Abtrennvorrichtung ist nicht mit dem Produkt geliefert.

ABNAHME UND INBETRIEBSETZUNG DER AUTOMATION

Um die höchste Sicherheit der Anlage zu gewährleisten, sind das die wichtigsten Phasen bei der Realisierung der Automation. Das beschriebene Abnahmeverfahren kann auch für die periodischen Überprüfungen der Vorrichtungen benutzt werden, aus denen die Automation besteht. Die Abnahme und die Inbetriebsetzung der Automation müssen von erfahrenem Fachpersonal ausgeführt werden, das die erforderlichen Tests zur Überprüfung der je nach vorhandenem Risiko angewendeten Lösungen festzulegen und die Einhaltung des von Gesetzen, Vorschriften und Verordnungen Vorgesehenen zu überprüfen hat, und insbesondere aller Anforderungen der Norm EN 12445, in der die Testmethoden zur Überprüfung von Torautomatismen festgelegt sind.

ABNAHME DER AUTOMATION

- 1 Überprüfen Sie, dass das in SCHRITT 1 für die Sicherheit Vorgesehene genauestens eingehalten wurde.
- 2 Verwenden Sie den Sender und testen Sie die Schließung und Öffnung des Tors; prüfen Sie, ob die Bewegung des Torflügels wie vorgesehen ist. Besser mehrere Tests ausführen, um das Gleiten des Tors und eventuelle Montage- und Einstellfehler sowie das Vorhandensein besonderer Reibungen zu überprüfen.
- 3 Überprüfen Sie den korrekten Betrieb aller Sicherheitsvorrichtungen der Anlage einzeln (Photozellen, Schaltleisten usw.). **Photozellen:** Lösen Sie die Vorrichtung während einer *Öffnung* oder *Schließung* aus und überprüfen Sie, ob die Steuerung die Bewegung stoppt und eine vollständige Reversierung verursacht (die Blinkleuchte blinkt zwei Mal und wiederholt dann dieses Blinken ein zweites Mal). **Schaltleisten:** Lösen Sie die Vorrichtung während einer *Öffnung* oder *Schließung* aus und überprüfen Sie, ob die Steuerung die Bewegung stoppt und eine kurze Reversierung verursacht (die Blinkleuchte blinkt vier Mal und wiederholt dann dieses Blinken ein zweites Mal).
- 4 Überprüfen Sie, dass keine Interferenzen zwischen den Photozellen und anderen Vorrichtungen bestehen, indem Sie die optische Achse zwischen den Photozellenpaaren mit einem Zylinder (Durchmesser 5 cm, Länge 30 cm) unterbrechen (**Abb. 70**): Führen Sie den Zylinder zuerst in der Nähe der Photozelle TX durch, dann in der Nähe von RX und abschließend in der Mitte zwischen den beiden Photozellen. Stellen Sie dann sicher, dass die Vorrichtung in allen Fällen auslöst und vom aktiven Zustand auf den Alarmzustand übergeht und umgekehrt; prüfen Sie dann, dass in der Steuerung die vorgesehene Handlung verursacht wird (zum Beispiel die Reversierung der Bewegung während der *Schließung*).
- 5 Führen Sie die Messung der Aufprallkraft nach den Bestimmungen der Vorschrift EN 12445 aus. Falls die die Kontrolle der Motorkraft als Hilfsmittel für das System zur Aufprallkraftreduzierung benutzt wird, testen Sie die Einstellungen und bestimmen Sie, mit welcher Einstellung die besten Ergebnisse erzielt werden.
- 6 Geben Sie einen Schließbefehl und überprüfen Sie die Aufprallkraft des Torflügels gegen den mechanischen Endanschlag. Versuchen Sie ggf., den Druck zu entladen, um die optimale Einstellung zu erzielen.



INBETRIEBSETZUNG DER AUTOMATION

Die Inbetriebsetzung darf erst erfolgen, nachdem alle Abnahmephasen erfolgreich beendet sind. Eine teilweise oder vorübergehende Inbetriebsetzung ist unzulässig.

- 1 Realisieren Sie die technischen Unterlagen der Automation. Sie müssen mindestens umfassen: eine Gesamtzeichnung (siehe das Beispiel in **Abb. 8**), den Schaltplan mit den durchgeführten Anschlüssen (siehe das Beispiel in **Abb. 26**), die Analyse der vorhandenen Risiken und die entsprechenden angewendeten Lösungen (siehe die auszufüllenden Formulare im Internet unter www.moovo.com), die Konformitätserklärung des Herstellers für alle benutzten Vorrichtungen und die vom Installateur ausgefüllte Konformitätserklärung (siehe im Abschnitt "TECHNISCHE DOKUMENTATION").
- 2 Bringen Sie am Tor ein Schild mit mindestens folgenden Daten an: Automationstyp, Name und Adresse des Herstellers (Verantwortlicher der "Inbetriebsetzung"), Seriennummer, Baujahr und CE-Markierung.
- 3 Füllen Sie die Konformitätserklärung aus und übergeben Sie diese dem Inhaber der Automation; hierzu muss das Formular "**CE-Konformitätserklärung**" im Abschnitt "TECHNISCHE DOKUMENTATION" ausgefüllt werden.
- 4 Füllen Sie das Formular "**Bedienungshandbuch**" im Abschnitt "TECHNISCHE DOKUMENTATION" aus und übergeben Sie es dem Inhaber der Automation.
- 5 Füllen Sie das Formular "**Wartungsprogramm**" im Abschnitt "TECHNISCHE DOKUMENTATION" aus und übergeben Sie es dem Inhaber der Automation. Es muss die Wartungsvorschriften aller Vorrichtungen der Automation enthalten.
- 6 Informieren Sie den Inhaber vor der Inbetriebsetzung der Automation über die noch vorhandenen Gefahren und Restrisiken.

PERIODISCHE WARTUNGSEINGRIFFE

Das vorliegende Produkt bedarf gewöhnlich keiner besonderen Wartung. Eine zeitlich regelmäßige Kontrolle wird die Anlage effizient halten und den ordnungsgemäßen Betrieb der installierten Sicherheitssysteme gewährleisten.

Um die Wartung korrekt auszuführen, beziehen Sie sich daher bitte auf das Kapitel "**Wartungsprogramm**" im Abschnitt "TECHNISCHE DOKUMENTATION" am Ende des Handbuchs.

ENTSORGUNG DES PRODUKTES

Das vorliegende Produkt ist Bestandteil der Automation und muss daher zusammen mit ihr entsorgt werden.

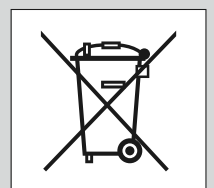
Wie die Installationsarbeiten muss auch die Abrüstung am Ende der Lebensdauer dieses Produktes von Fachpersonal ausgeführt werden. Dieses Produkt besteht aus verschiedenen Stoffen, von denen einige recycelt werden können, andere müssen hingegen entsorgt werden. Informieren Sie sich über die Recycling- oder Entsorgungssysteme für dieses Produkt, die von den auf Ihrem Gebiet gültigen Verordnungen vorgesehen sind.

Achtung! – bestimmte Teile des Produktes können Schadstoffe oder gefährliche Substanzen enthalten, die, falls in die Umwelt gegeben,

schädliche Wirkungen auf die Umwelt und die menschliche Gesundheit haben könnten.

Wie durch das Symbol seitlich angegeben, ist es verboten, dieses Produkt zum Haushaltsmüll zu geben. Daher differenziert nach den Methoden entsorgen, die von den auf Ihrem Gebiet gültigen Verordnungen vorgesehen sind, oder das Produkt dem Verkäufer beim Kauf eines neuen, gleichwertigen Produktes zurückgeben.

Achtung! – die örtlichen Verordnungen können schwere Strafen im Fall einer widerrechtlichen Entsorgung dieses Produktes vorsehen.



TECHNISCHE MERKMALE DER VERSCHIEDENEN KOMPONENTEN DES PRODUKTES

HINWEISE:

- Das Produkt XA4... ist von Nice S.p.a. (TV) hergestellt. **Moovo** ist eine Handelsmarke der Firma Nice S.p.a.
- Alle angegebenen technischen Merkmale beziehen sich auf eine Temperatur von 20°C (± 5°C).
- Nice S.p.a. behält sich das Recht vor, jederzeit als nötig betrachtete Änderungen am Produkt vorzunehmen, wobei Funktionalitäten und Einsatzzweck beibehalten werden.

ANTRIEBE XA4..

Anmerkung – Das Modell XA432e enthält die Steuerung.

BESCHREIBUNG	DATEN			
	Mod. XA432		Mod. XA432e	
Betriebsspannung	12 Vdc		230 Vac - 50/60 Hz	
Max. Leistungsaufnahme (W) mit zwei Antrieben	250 W			
Höchstschub	150 N			
Nennschub	70 N			
Geschwindigkeit ohne Last	<i>langsam</i>	<i>schnell</i>	<i>langsam</i>	<i>schnell</i>
	4,5° / sec	9° / sec	4,5° / sec	9° / sec
Nenngeschwindigkeit	3° / sec	6° / sec	3° / sec	6° / sec
Zyklen/Stunde beim Nenndrehmoment (20°C)	8			
Max. Häufigkeit der Dauerbetriebszyklen	5			
Betriebstemp.	- 20 / + 50° C			
Abmessungen	253 x 155 h x 235 mm			
Gewicht	6.2 kg		6.3 kg	
Schutzart	IP 44			
Geschätzte Dauer (*)	von 50.000 bis 100.000 Bewegungszyklen			

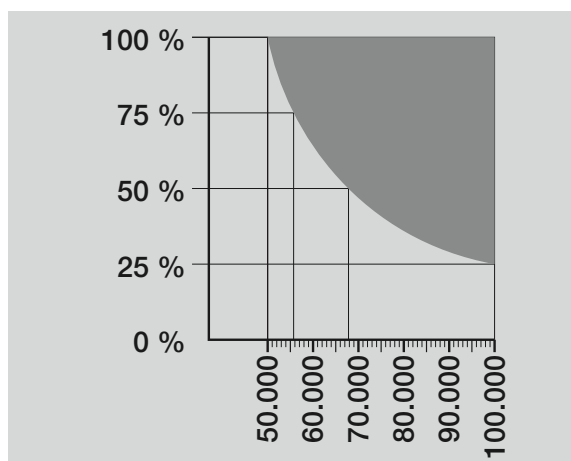
(*) **Anmerkung** – Die geschätzte Dauer des Produktes liegt zwischen 50.000 und 100.000 Bewegungszyklen. Gehen Sie wie folgend vor, um die wahrscheinliche Dauer Ihrer Automation zu bestimmen:

a) – bewerten Sie die Einsatzbedingungen und die mitspielenden Kräfte in Ihrer Anlage, wie zum Beispiel:

- das Gewicht und die Länge des Tors;
- das einwandfreie Gleichgewicht des Tors;
- den Zustand der Torzapfen;;
- den Tortyp::geschlossen oder mit zahlreichen Öffnungen
- Vorhandensein von starkem Wind;
- Betriebshäufigkeit der Automation.

b) – ermitteln Sie aus diesen Bewertungen einen Wert in Prozenten, der den Abnutzungsgrad (mehr oder weniger) der Automation bestimmen wird.

c) – finden Sie im Schaubild seitlich den geschätzten Prozentsatz (in Punkt "b") und lesen Sie dann daneben die Anzahl an Bewegungszyklen.



BLINKLEUCHE MF

BESCHREIBUNG	DATEN
Typik	Blinkende Anzeigeleuchte für Torautomatismen
Angewendete Technologie	Leuchtanzeige mit Lampe, die über das "Bus"-System der Automation von den Steuerungen Moovo geschaltet ist
Lampe	12V 21W Fassung BA15 (Autolampe)
Betriebsspannung sein	Die Vorrichtung muss an der Klemme "Bus" der Steuerungen Moovo für Automationen angeschlossen
Betriebstemperatur di funzionamento	-20 ÷ 50°C
Benutzung in säure- und salzhaltiger oder potentiell explosiver Atmosphäre	Nein
Montage	Vertikal auf einer Ebene oder horizontale Wandmontage
Schutzart	IP 44
Abmessungen	135 x 120h x 110 mm
Gewicht	340 g

SENDER MT4

BESCHREIBUNG	DATEN
Typik	Funksender für Torautomatismen
Angewendete Technologie	AM OOK codierte Funkträgermodulation
Frequenz	433.92 MHz (\pm 100 KHz)
Codifica	Rolling Code mit 64 Bit Code (18 Milliarden Kombinationen)
Tasten	4; jede Taste kann für verschiedene Befehle durch dieselbe Steuerung oder von anderen Steuerungen benutzt werden.
Abgestrahlte Leistung	1 dBm e.r.p.
Betriebsspannung	3V +20% -40% mit Nr. 1 Lithiumbatterie des Typs CR2032
Dauer der Batterien	3 Jahre, geschätzt auf der Basis von 10 Befehlen/Tag mit einer Dauer von 1 Sekunde bei 20°C (bei niedrigen Temperaturen verringert sich die Effizienz der Batterien)
Betriebstemperatur	-20°C ÷ 50°C
Benutzung in säure- und salzhaltiger oder potentiell explosiver Atmosphäre	Nein
Schutzart	IP 40 (Benutzung im Haus oder in geschützter Umgebung)
Abmessungen	40 x 70h x 8 mm
Gewicht	25 g
Reichweite	ca. 200 m im Freien; 35 m in Gebäuden (*)

(*) Die Reichweite der Sender und das Empfangsvermögen des Empfängers ist durch andere Vorrichtungen wie zum Beispiel Alarmer, Kopfhörer usw., die in Ihrer Zone auf derselben Frequenz funktionieren, stark beeinflusst. Nice kann Ihnen daher im Fall von Interferenzen die effektive Reichweite der Vorrichtungen nicht garantieren.

PHOTOZELLEN MP MP

BESCHREIBUNG	DATEN
Typik	Präsenzdetektor für Torautomatismen (Klasse D gemäß Norm EN 12453) bestehend aus einem Paar Sender (TX) und Empfänger (RX)
Angewendete Technologie	Optische Direktinterpolation von TX und RX mit moduliertem Infrarotstrahl
Wahrnehmungsvermögen	Matte Gegenstände auf der optischen Achse zwischen TX und RX mit einer Größe über 50 mm und
Übertragungswinkel von TX	ca. 20°
Empfangswinkel von RX	ca. 20°
Nutzreichweite	Bis 7m bei einer Nichtfluchtung von TX mit RX von max. \pm 4° (die Vorrichtung kann ein Hindernis auch bei besonders schlechtem Wetter wahrnehmen)
Betriebsspannung/Ausgang	Die Vorrichtung kann nur an Moovo-“Bus“-Netze angeschlossen werden, denen sie die Betriebsspannung entnimmt und zu denen sie die Ausgangssignale sendet.
Leistungsaufnahme	450mW in Betrieb; 40mW in Stand-by
Max. Kabellänge	Bis 20m (die Hinweise mit Bezug auf den Mindestquerschnitt und den Kabeltyp beachten)
Adressierungsmöglichkeiten	Bis zu 6 Detektoren mit Schutzfunktion und bis zu 4 mit Öffnungsfunktion Der automatische Synchronismus verhindert Interferenzen zwischen den verschiedenen Detektoren.
Betriebstemperatur	-20 ÷ 50°C
Benutzung in säure- und salzhaltiger oder potentiell explosiver Atmosphäre	Nein
Montage	Vertikal auf einer Ebene oder horizontale Wandmontage
Schutzart	IP 44
Abmessungen	50 x 85h x 35 mm
Gewicht (pro Paar)	140 g

TASTATUR MK

BESCHREIBUNG	DATEN
Typik	Tastatur mit 5 Tasten. Kann die Automation mit und ohne Eingabe einer Kombination betätigen.
Angewendete Technologie	Mögliche Eingabe eines Aktivierungscodes bis zu 10 Ziffern (mehr als 1 Million mögliche Kombinationen)
Betriebsspannung/Ausgang	Die Vorrichtung muss an Moovo-“Bus“-Netze angeschlossen werden, denen sie die Betriebsspannung entnimmt und zu denen sie die Ausgangssignale sendet.
Leistungsaufnahme	120mW in Betrieb; 45mW in Stand-by
Temperatura ambientale di funzionamento	-20 ÷ 50°C
Benutzung in säure- und salzhaltiger oder potentiell explosiver Atmosphäre	Nein
Montage	Vertikale Wandmontage
Schutzart	IP 44
Abmessung	50 x 85h x 35 mm
Gewicht	80 g

WAS TUN, WENN... (Leitfaden zum Lösen von Problemen)

Die Steuerung hält während des ordnungsgemäßen Betriebs die Vorgänge der Automation ständig unter Kontrolle und zeigt eventuelle Störungen durch bereits bestimmte Blinksequenzen der Blinkleuchte und der roten LED "L1" an der Steuerung an (das Diagnose-Blinken bezieht sich immer auf die von der Automation ausgeführte letzte Handlung). Die Beziehung zwischen der Anzahl an Blinkvorgängen und ihrer Ursache kann **Tabelle Nr. 6** entnommen werden:

TABELLE 6

Blinkvorgänge	Problem	Lösung
2 Mal Blinken – Pause – 2 Mal Blinken	Während der <i>Öffnung</i> oder <i>Schließung</i> blockieren sich die Torflügel oder führen die umgekehrte Bewegung aus.	Dieses Verhalten wird durch die Auslösung eines bestimmten Photozellenpaars in der Anlage verursacht, das ein Hindernis wahrnimmt. Daher das Hindernis zwischen diesen beiden Photozellen entfernen.
3 Mal Blinken – Pause – 3 Mal Blinken	<ul style="list-style-type: none"> • Während der <i>Öffnung</i> oder <i>Schließung</i> blockieren sich die Torflügel plötzlich und die Steuerung führt die <u>vollständige</u> Reversierung der laufenden Bewegung bis zum Endschalter aus. • Während der <i>Öffnung</i> oder <i>Schließung</i> blockiert die Steuerung plötzlich die Bewegung und führt eine erste <u>Teilreversierung</u> der laufenden Bewegung aus, ohne dass der Endanschlag erreicht wird, und dann zwei weitere Teilreversierungen mit endgültiger Blockierung der Bewegung. 	Die Torflügel sind aufgrund eines plötzlichen Hindernisses (Windstoß, Fahrzeug, Person, usw.) einer stärkeren Reibung ausgesetzt. Siehe das Kapitel " Sonstige Einstellungen und Sonderfunktionen " für die eventuelle neue Einstellung der Empfindlichkeit gegenüber Hindernissen.
4 Mal Blinken – Pause – 4 Mal Blinken	Während der <i>Öffnung</i> oder <i>Schließung</i> blockieren sich die Torflügel plötzlich und die Steuerung führt ein " <i>Stopp</i> ", gefolgt von einer kurzen Reversierung der Bewegung aus.	Eventuell installierte Sicherheitsvorrichtungen (anders als die Photozellen, es kann sich z. B. um Schaltleisten handeln) haben ein plötzliches Hindernis wahrgenommen. Daher das Hindernis entfernen.
5 Mal Blinken – Pause – 5 Mal Blinken	Die Automation spricht nicht auf die gesendeten Befehle an.	Fehler in der Konfiguration des Systems. Die Konfiguration erneut ausführen.
6 Mal Blinken – Pause – 6 Mal Blinken	Die Automation blockiert sich nach mehreren aufeinander folgenden Bewegungen.	Die zulässige Höchstgrenze an aufeinander folgenden Bewegungen wurde überschritten. Die Folge ist eine Überhitzung. Daher ein paar Minuten warten, damit die Temperatur wieder unter die festgelegte Höchstgrenze sinkt.
7 Mal Blinken – Pause – 7 Mal Blinken	Die Automation spricht nicht auf die gesendeten Befehle an.	Defekt in den internen elektrischen Kreisen. Daher alle Versorgungskreise abtrennen, ein paar Sekunden warten und erneut anschließen. Einen Befehl erteilen. Falls die Automation nicht anspricht, hat die Steuerkarte in der Steuerung oder die Verdrahtung des Antriebs einen schweren Defekt. Daher überprüfen und ggf. auswechseln.
8 Mal Blinken – Pause – 8 Mal Blinken	Die Automation spricht nicht auf die gesendeten Befehle an.	Defekt in den elektrischen "Bus"-Kreisen. Die angeschlossenen Vorrichtungen einzeln überprüfen. Sie könnten kurzgeschlossen sein und daher nicht korrekt funktionieren.

OGÓLNE UWAGI I OSTRZEŻENIA DOTYCZĄCE BEZPIECZEŃSTWA

PASSO 1

– Pracując zachowaj zasady bezpieczeństwa!	4
– Ostrzeżenia dotyczące montażu	44

ZNAJOMOŚĆ PRODUKTU I PRZYGOTOWANIE DO MONTAŻU

KROK 2

2.1 - Opis i przeznaczenie produktu	5
2.2 - Części potrzebne do wykonania kompletnej instalacji	5

KROK 3

Kontrola wstępna przed montażem 6

3.1 - Sprawdzenie warunków otoczenia i bramy, która ma zostać zautomatyzowana	6
3.2 - Sprawdzenie ograniczeń eksploatacyjnych	6

KROK 4

4.1 - Wstępne prace przygotowawcze	7
- 4.1.1 - Typowa instalacja	7
- 4.1.2 - Określenie miejsca montażu poszczególnych elementów	7
- 4.1.3 - Wybór schematu podłączenia urządzeń	7
- 4.1.4 - Kontrola narzędzi potrzebnych do wykonania pracy	8
- 4.1.5 - Prace przygotowawcze	8
4.2 - Przygotowywanie kabli elektrycznych	8

INSTALACJA: MONTAŻ I PODŁĄCZENIE POSZCZEGÓLNYCH ELEMENTÓW

KROK 5

5.1 - Montaż elementów automatyki	10
5.2 - Ustawienie ogranicznika mechanicznego manewru <i>Otwarcia</i>	12

KROK 6

– Montaż i podłączenia elektryczne do centrali urządzeń, składających się na instalację	13
6.1 - Ustawienie kolejności otwarcia skrzydeł bramy	14
– Wyjęcie Centrali sterującej z silownika	15
6.2 - Montaż i podłączenie silownika bez Centrali	16
6.3 - Montaż i podłączenie lampy ostrzegawczej mod. MF	17
6.4 - Montaż i podłączenie FOTOKOMÓREK mod. MP	19
– Wybór trybu pracy pary fotokomórek	20
6.5 - Montaż i podłączenie klawiatury sterującej mod. MK	21
6.6 - Montaż akumulatora buforowego mod. MB	22

PODŁĄCZENIE ZASILANIA

KROK 7 23

PIERWSZE PODŁĄCZENIE I KONTROLA POŁĄCZEŃ ELEKTRYCZNYCH

KROK 8 23

PROGRAMOWANIE AUTOMATYKI

KROK 9

9.1 - Wczytywanie urządzeń podłączonych przy użyciu przewodu "Bus" oraz pozycji krańcowych "0" oraz "1" skrzydeł	24
9.2 - Wczytywanie nadajnika mod. MT4	24
9.3 - Programowanie klawiatury sterującej mod. MK	25

REGULACJE I POZOSTAŁE FUNKCJE OPCJONALNE

10 - Regulacja pracy automatyki	26
11 - Wczytywanie nowego nadajnika przy użyciu procedury 'w pobliżu' Centrali	26
12 - Kasowanie danych z pamięci Centrali	27

CZYNNOŚCI ZASTRZEŻONE DLA WYKWALIFIKOWANEGO TECHNIKA

– Podłączenie automatyki do sieci elektrycznej przy użyciu przewodu innego od przewodu znajdującego się na wyposażeniu	28
– Odbiór techniczny i przekazanie automatyki do eksploatacji	29
– Utylizacja produktu	29

CARATTERISTICHE TECNICHE DEI VARI COMPONENTI DEL PRODOTTO

30

CO ROBIĆ GDY... (pomoc w rozwiązywaniu problemów)

32

Załączniki: "DOKUMENTACJA TECHNICZNA"

I-VII

KROK 1

PRACA W WARUNKACH BEZPIECZEŃSTWA!

⚠ Uwaga - dla bezpieczeństwa osób ważne jest przestrzeganie tych instrukcji.

⚠ Uwaga - Ważne instrukcje dotyczące bezpieczeństwa: dlatego też należy przechowywać te instrukcje.

Projekt i produkcja urządzeń składających się na produkt, a także informacje zawarte w niniejszej instrukcji są w pełni zgodne z obowiązującymi normami bezpieczeństwa. Pomimo to nieprawidłowy montaż i programowanie mogą doprowadzić do ciężkich urazów osób wykonujących daną pracę lub użytkowników instalacji. W związku z tym, podczas montażu, należy postępować ściśle według zaleceń zawartych w niniejszej instrukcji.

W przypadku jakichkolwiek wątpliwości nie przystępuj do instalacji, ale zwróć się o ewentualne wyjaśnienia do Serwisu Technicznego Moovo.

Jeśli po raz pierwszy przystępujesz do realizacji automatyki do skrzydłowych bram garażowych i wjazdowych, zalecamy uważne zapoznanie się z niniejszą instrukcją. Najlepiej zrobić to przed rozpoczęciem pracy, nie spiesząc się z przystąpieniem do części praktycznej.

Ponadto zaleca się zgromadzenie w zasięgu ręki wszystkich urządzeń, które składają się na produkt, aby podczas lektury można sprawdzać i weryfikować wszystkie informacje zawarte w niniejszej instrukcji (za wyjątkiem etapów programowania).

Podczas lektury niniejszej instrukcji, należy zwrócić szczególną uwagę na zalecenia oznaczone symbolem:



Symbolem tym oznaczono miejsca, które mogą stanowić źródło potencjalnego zagrożenia, a co za tym idzie związane z nimi czynności mogą być wykonane wyłącznie przez wykwalifikowany i doświadczony personel, przy poszanowaniu niniejszych zaleceń oraz lokalnych norm bezpieczeństwa.

⚠ OSTRZEŻENIA DOTYCZĄCE MONTAŻU

Zgodnie z najnowszym ustawodawstwem europejskim, drzwi lub bramy automatyczne muszą być wykonane zgodnie z zasadami, o których mowa w Dyrektywie 98/37/CE (Dyrektywie Maszynowej) a w szczególności w normach: EN 12445; EN 12453; EN 12635 i EN 13241-1, co pozwala na wydanie oświadczenia o domniemaniu zgodności.

Biorąc powyższe pod uwagę,

ostateczne podłączenie automatyki do sieci elektrycznej, odbiór techniczny instalacji oraz jej przekazanie do eksploatacji i okresowa konserwacja muszą być wykonane przez doświadczonego i wykwalifikowanego technika, w poszanowaniu zaleceń, o których mowa w części "Czynności zastrzeżone dla wykwalifikowanego technika". Ponadto musi on także wziąć na siebie odpowiedzialność za przeprowadzenie wymaganych testów związanych z istniejącym ryzykiem i sprawdzić czy spełnione zostały wymagania zawarte w przepisach, normach i regulaminach, a w szczególności wszystkie wymagania normy EN 12445, ustalającej metody badań służące do kontroli automatyki do bram.

Natomiast prace związane ze wstępnym przygotowaniem, montażem i programowaniem mogą być wykonane również przez personel bez specjalnych kwalifikacji, pod warunkiem ścisłego przestrzegania wszystkich zaleceń zawartych w niniejszej instrukcji - wraz z kolejnością ich wykonywania - a w szczególności uwag opisanych w KROKU 1.

Przed rozpoczęciem montażu przeprowadź następujące kontrole:

– upewnij się czy poszczególne urządzenia przeznaczone do automatyzacji nadają się do instalacji, która ma zostać zrealizowana. Sprawdź ze szczególną uwagą dane zawarte w punkcie "Dane techniczne". Nie przystępuj do montażu, jeśli choć jedno z urządzeń nie nadaje się do użycia.

– upewnij się czy urządzenia, tworzące zestaw wystarczą do zagwarantowania bezpieczeństwa instalacji oraz jej funkcjonalności.

– przeprowadź analizę ryzyka, zawierającą między innymi spis podstawowych wymagań bezpieczeństwa przewidzianych przez załącznik I Dyrektywy Maszynowej, z jednoczesnym wskazaniem przyjętych rozwiązań. Przypominamy, że analiza ryzyka jest jednym z dokumentów, tworzących "dokumentację techniczną" automatyki, która musi być wypełniona przez zawodowego instalatora.

Biorąc pod uwagę ryzyko, które może wystąpić na różnych etapach montażu i użytkowania produktu, podczas montażu należy pamiętać o następujących ostrzeżeniach:

– nie wprowadzaj zmian w żadnej z części automatyki, o ile nie są to zmiany przewidziane w niniejszej instrukcji. Takie działanie mogłoby tylko przyczynić się do nieprawidłowej pracy instalacji. Producent nie bierze na siebie żadnej odpowiedzialności za uszkodzenia powstałe w wyniku użytkowania produktów zmodyfikowanych na własną rękę.

– unikaj zetknięcia elementów automatyki z wodą lub innymi płynami. W czasie montażu, nie wolno pozwolić by jakiegokolwiek substancje płynne przedostały się do wnętrza siłowników oraz urządzeń, składających się na produkt.

– jeśli substancje płynne dostaną się do wnętrza części automatyki, należy natychmiast odłączyć zasilanie elektryczne i skontaktować się z Serwisem Technicznym Moovo. Korzystanie z automatyki w takich warunkach mogłoby doprowadzić do niebezpiecznych sytuacji.

– nie kładź części automatyki blisko źródeł ciepła i płomieni. Mogłoby to doprowadzić do zniszczenia produktu, spowodować jego nieprawidłowe działanie, wywołać pożar lub doprowadzić do innych groźnych sytuacji.

– wszystkie czynności, które wymagają otwarcia osłony poszczególnych komponentów automatyki, można wykonywać dopiero po odłączeniu Centrali od zasilania elektrycznego. Jeśli urządzenie odłączające zasilanie nie znajduje się w zasięgu wzroku, przywieś na nim karteczkę z następującym napisem "UWAGA! KONSERWACJA W TOKU".

– produkt nie może być uznawany za skuteczny system antywłamaniowy. Jeśli zachodzi potrzeba zabezpieczenia przed włamaniem, należy dołączyć do automatyki dodatkowe urządzenia.

– Centrala musi być podłączona do linii zasilania elektrycznego z uziemieniem.

– produkt może być użytkowany dopiero po wykonaniu "oddania automatyki do eksploatacji", zgodnie z zasadami przewidzianymi w punkcie "Odbiór techniczny i oddanie automatyki do eksploatacji", który znajdziesz w części "Czynności zastrzeżone dla wykwalifikowanego technika".

– Opakowania wszystkich części automatyki muszą być zutilizowane zgodnie z lokalnymi przepisami.

KROK 2

2.1 – OPIS I PRZEZNACZENIE PRODUKTU

Wszystkie urządzenia składające się na niniejszy produkt służą do automatyzacji 2-skrzydłowych bram garażowych lub wjazdowych (rys. 1a). Ponadto produkt ten może być też wykorzystany do automatyzacji 1-skrzydłowych bram garażowych i wjazdowych (rys. 1b).

Jakiegolwiek zastosowanie inne od opisanego w niniejszym punkcie oraz użycie w warunkach otoczenia innych od tych wskazanych w KROKU 3, jest niewłaściwe i zabronione!

Główna część automatyki składa się z dwóch silowników elektromechanicznych, z których każdy posiada silnik prądu stałego o napięciu 12V i jedną przekładnię z kołami zębatymi o prostych zębach. Jeden z silowników posiada także wbudowaną Centralę sterującą.

Centrala steruje wszystkimi urządzeniami znajdującymi się w automatyce, a także zasila je i zarządza ich skuteczną pracą. Składa się z płyty i wbudowanego odbiornika radiowego, który odbiera polecenia wysłane przez nadajnik. Ponadto Centralę można sterować również przy użyciu naściennych klawiatur sterujących lub pary fotokomórek odpowiadających wyłącznie za polecenie otwarcia.

Centrala może sterować różnymi manewrami, z których każdy może być zaprogramowany i użytkowany wedle indywidualnych potrzeb.

Ponadto istnieją też różne funkcje specjalne, które pozwalają na personalizację parametrów automatyki.

Automatyka jest przystosowana do podłączenia różnych akcesoriów, które zwiększają jej funkcjonalność i zapewniają bezpieczeństwo. Do Centrali można wczytać między innymi do 150 przycisków nadajników MT4, podłączyć do 4 klawiatur sterujących MK lub alternatywnie do 4 par fotokomórek MP odpowiadających wyłącznie za polecenie otwarcia.

Poszczególne urządzenia są podłączane przy użyciu systemu "Bus". Redukuje on konieczność użycia złożonego połączenia pomiędzy poszczególnymi urządzeniami, ponieważ przewiduje tylko jeden przewód pomiędzy jednym urządzeniem a drugim.

Produkt wykorzystuje zasilanie elektryczne z sieci, a w przypadku zaniku energii elektrycznej (black-out), posiada możliwość ręcznego wysprzęglenia silowników i 'ręcznego' przesunięcia skrzydeł bramy. Istnieje możliwość otwarcia bramy również przy użyciu akumulatora buforowego (model MB), o ile znajduje się on na wyposażeniu instalacji.

2.2 – CZĘŚCI POTRZEBNE DO WYKONANIA KOMPLETNEJ INSTALACJI

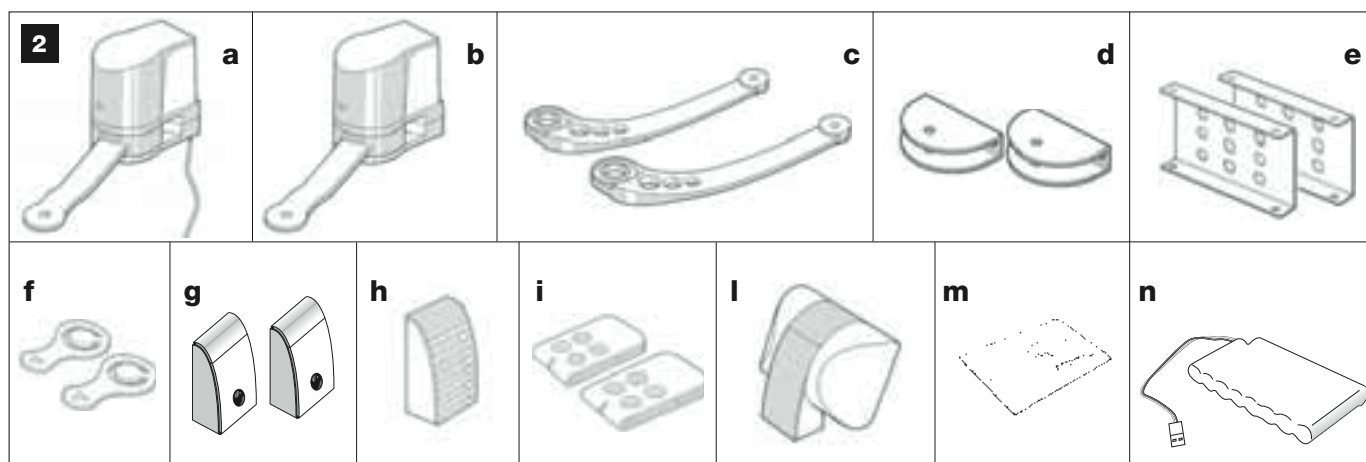
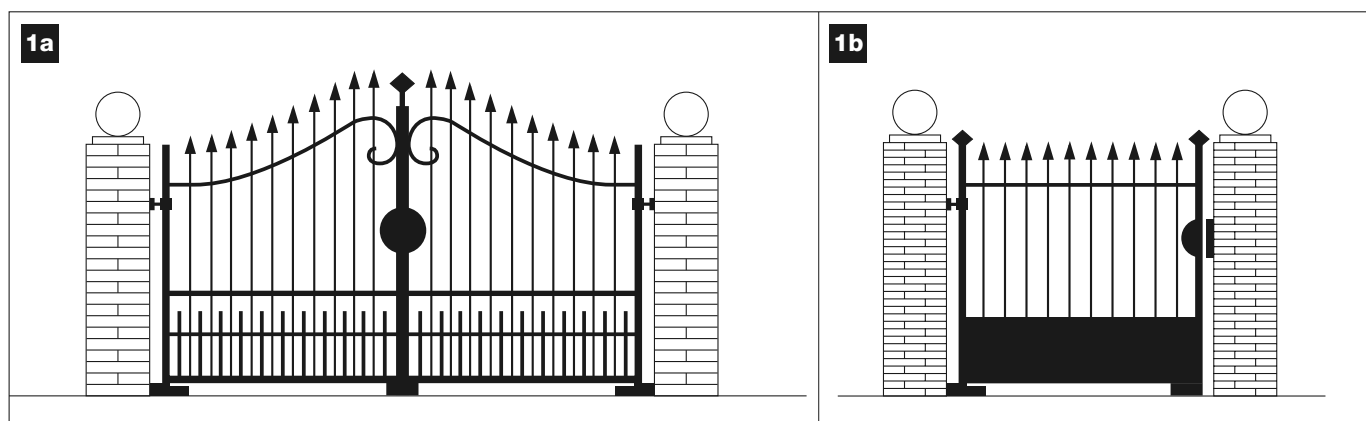
Na rys. 2 pokazano wszystkie części potrzebne do wykonania kompletnej instalacji, takiej jak na rys. 8.

OSTRZEŻENIE!

Niektóre części przedstawione na rys. 2 są opcjonalne i mogą nie znajdować się w opakowaniu.

Wykaz potrzebnych części:

- [a] - silownik elektromechaniczny z wbudowaną Centralą
- [b] - silownik elektromechaniczny bez Centrali
- [c] - zakrzywione ramiona silownika
- [d] - uchwyty przednie (do mocowania silowników do bramy)
- [e] - wsporniki tylne (do mocowania silowników na ścianie)
- [f] - klucze do ręcznego wysprzęglenia silowników
- [g] - para fotokomórek mod. MP (na ścianę)
- [h] - klawiatura sterująca mod. MK (na ścianę)
- [i] - nadajnik przenośny mod. MT4
- [l] - lampa ostrzegawcza mod. MF
- [m] - drobne części metalowe (śruby, podkładki, itd.)
- [n] - akumulator buforowy mod.



KROK 3

KONTROLA WSTĘPNA PRZED MONTAŻEM

Przed przystąpieniem do montażu, upewnij się czy części produktu są nienaruszone, czy wybrano odpowiedni model oraz czy produkt nadaje się do montażu w danym otoczeniu.

WAŻNE – siłowniki mogą być użyte wyłącznie do automatyzacji bramy, która działa w sposób skuteczny i bezpieczny. Nie mogą one także służyć do rozwiązywania problemów wywołanych wadliwym montażem lub złą konserwacją bramy.

3.1 – SPRAWDZENIE WARUNKÓW OTOCZENIA I BRAMY, KTÓRA MA ZOSTAĆ ZAUTOMATYZOWANA

- Upewnij się czy konstrukcja mechaniczna bramy nadaje się do automatyzacji i odpowiada lokalnym normom (*ewentualnie sprawdź dane znajdujące się na etykiecie bramy, o ile posiada ona taką informację*).
- Wykonaj manewr *Otwarcia i Zamknięcia* poruszając ręcznie skrzydłami bramy i upewnij się czy podczas całego ruchu występuje równe tarcie, jednolite w każdym punkcie ruchu (*nie mogą występować miejsca, w których potrzeba użyć większej siły*).
- Ręcznie ustaw skrzydła w jakiegokolwiek pozycji i zostaw je, sprawdzając czy nie poruszają się.
- Sprawdź miejsce, w którym będzie zamocowany siłownik, upewniając się czy będzie w nim możliwy obrotowy ruch ramienia siłownika (**rys. 7**).
- Upewnij się czy miejsce wokół siłowników pozwoli na ręczne wysprężanie skrzydeł w sposób łatwy i bezpieczny.
- Upewnij się czy powierzchnie wybrane do montażu poszczególnych urządzeń są trwale i zapewniają stabilne mocowanie.
- Upewnij się czy miejsca, w których zostaną zamontowane poszczególne urządzenia są bezpieczne i zapewniają ochronę przed przypadkowymi uderzeniami.
- Upewnij się czy powierzchnie wybrane do mocowania fotokomórek są płaskie i pozwalają na dobre osiowanie fotokomórek.

3.2 – SPRAWDZENIE OGRANICZEŃ EKSPLOATACYJNYCH

Podczas montażu siłowników należy przymocować ich tylny wspornik na ścianie (lub słupku) bramy a uchwyt, który przytrzymuje ramię siłownika na skrzydle bramy.

W celu sprawdzenia czy produkt odpowiada właściwościom danej bramy oraz specyficznym potrzebom automatyzacji, należy przeprowadzić opisane poniżej kontrole i sprawdzić zgodność ich wyników zarówno z danymi podanymi w niniejszym punkcie, jak i z wartościami zawartymi w rozdziale **“Dane techniczne produktu”**.

1 – Upewnij się czy wymiary i ciężar skrzydeł bramy zawierają się w następujących limitach, w tym celu skorzystaj z **wykresu nr 1**:

- maksymalna szerokość 1,80 m;

- maksymalna wysokość 2 m;
- maksymalny ciężar 250 kg.

2 – Upewnij się czy minimalna i maksymalna temperatura otoczenia montażu odpowiadają określonym parametrom temperatury pracy niniejszego produktu. Skorzystaj z informacji zawartych w rozdziale **“Dane techniczne produktu”**.

3 – Określ, na którym skrzydle bramy zostanie zamontowany siłownik z wbudowaną Centralą, pamiętając o kierunku, z którego idzie linia elektryczna (o ile istnieje ona już wcześniej), przewidziana do zasilania instalacji.

4 – Upewnij się czy na każdym skrzydle i na przylegającej do niego ścianie (lub słupku) znajduje się wystarczająca ilość miejsca, która umożliwi montaż siłownika. W związku z tym pamiętaj o wymiarach wskazanych na **rys. 3-4-5-6-7** oraz o następujących uwagach:

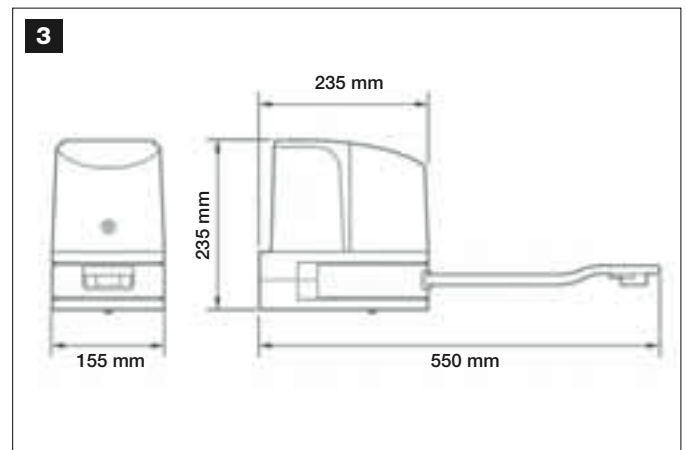
a) Rys. 3: wskazuje wymiary całkowite siłownika.

b) Rys. 4: wskazuje miejsce w poziomie, które należy przewidzieć pod montaż tylnego wspornika siłownika. Dokładna pozycja, w której należy umieścić wspornik musi zostać obliczona zgodnie z procedurą opisaną w punkcie 02 KROKU 5.

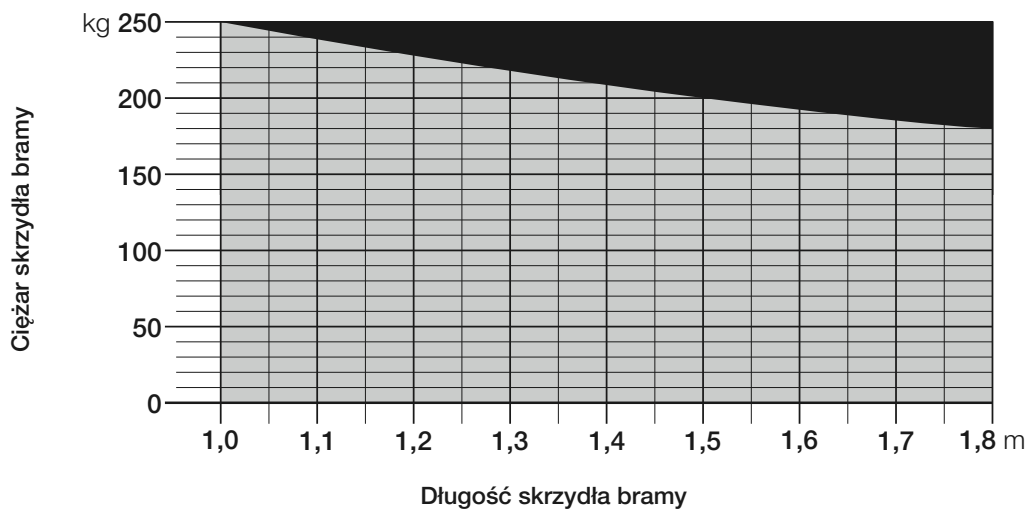
c) Rys. 5: wskazuje maksymalny wymiar **“B”** jaki musi być zachowany pomiędzy osią obrotu skrzydła a powierzchnią ściany, na której zostanie zamocowany tylny wspornik siłownika.

d) Rys. 6: wskazuje miejsce w pionie, które należy przewidzieć pod montaż siłownika. Wymiar **“D”** wskazuje minimalną wysokość od ziemi (zaleca się pozostawienie min. 200 mm od ziemi). Wymiar **“C”** (maksymalna wysokość od ziemi) zależy od wysokości danego skrzydła.

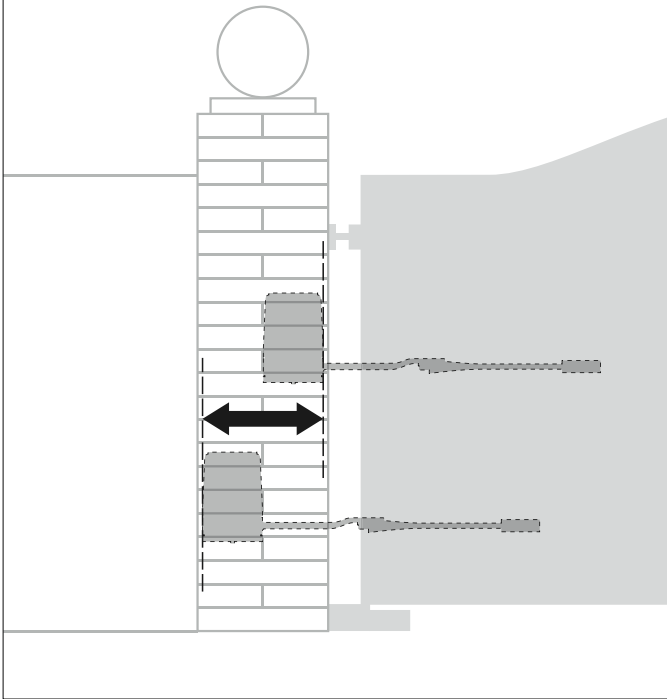
e) Rys. 7: wskazuje minimalny wymiar **“E”** (400 mm) jaki musi być zachowany pomiędzy ramieniem siłownika a ewentualną przeszkodą (ściana, obramowanie trawnika, itd), gdy skrzydło jest całkowicie otwarte. **Pamiętaj** - Podczas pobierania tego wymiaru, przyjmij jako punkt wyjścia środek siłownika.



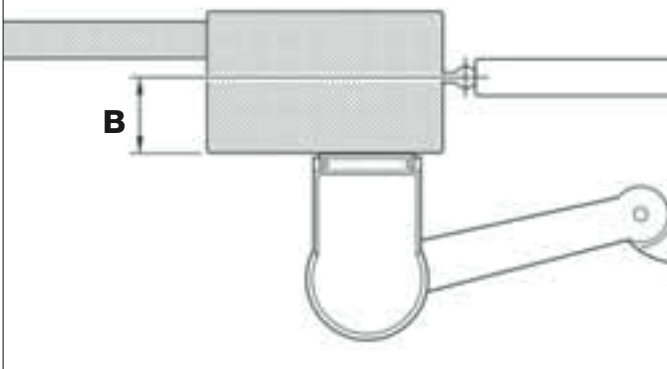
WYKRES 1



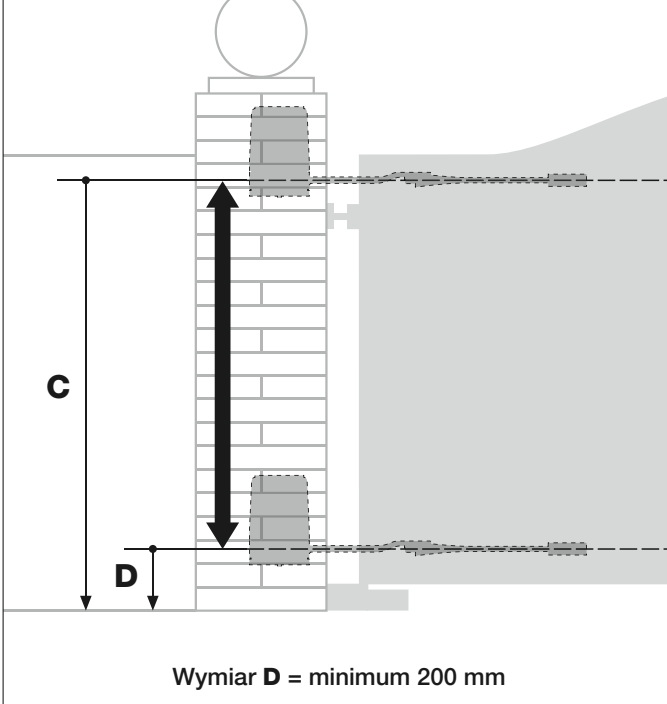
4



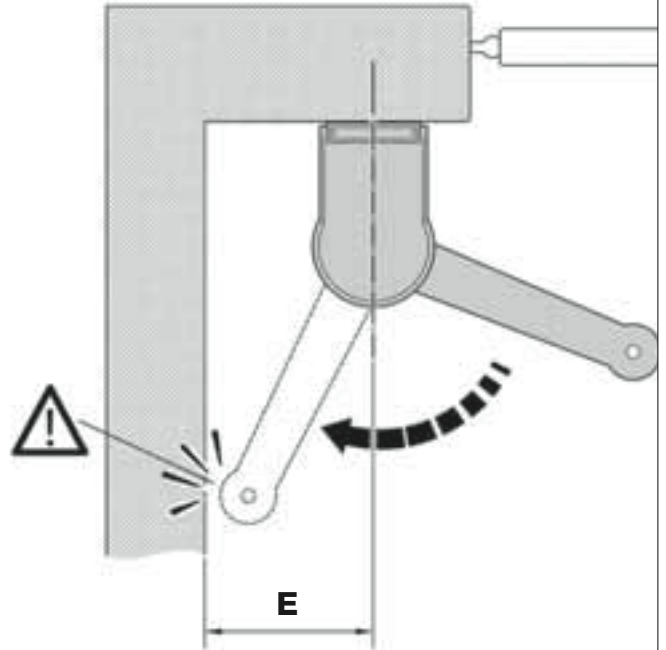
5



6



7



Wymiar **E** = minimum 400 mm

KROK 4

4.1 – WSTĘPNE PRACE PRZYGOTOWAWCZE

4.1.1 – Typowa instalacja

Rys. 8 pokazuje przykładową instalację automatyki wykonaną przy użyciu różnych elementów zestawu **Moovo**. Są one rozmieszczone i złożone według klasycznego schematu. Są to:

a - Siłownik elektromechaniczny z wbudowaną Centralą

b - Siłownik elektromechaniczny bez Centrali

c - Wsporniki tylne (na ścianę)

d - Uchwyty przednie (na skrzydle)

e - Para fotokomórek (na ścianę)

f - Lampa ostrzegawcza

g - Klawiatura sterująca (na ścianę)

h - Para słupków pod fotokomórki

i - Blokady mechaniczne przy *Otwarceniu* (*Pamiętaj – Ruch skrzydła może być ograniczony naturalną blokadą taką jak ściana, obramowanie trawnika, itd. lub można skorzystać z ogranicznika mechanicznego, który znajduje się w siłowniku*).

l - Blokada mechaniczna przy *Zamknięciu*

4.1.2 – Określenie miejsca montażu poszczególnych elementów

Korzystając z rys. 8, ustal przybliżone miejsce montażu każdej części przewidzianej w instalacji.

4.1.3 – Wybór schematu podłączenia urządzeń

Przewidziano połączenie typu "Bus" - przy użyciu jednego, dwużyłowego przewodu - pomiędzy wszystkimi urządzeniami składającymi się na instalację. Przy tego rodzaju połączeniu, dane pomiędzy urządzeniami są przekazywane drogą kablową, przy wykorzystaniu specjalnego protokołu zwanego **Bus-Moovo**". **Uwaga!** - do instalacji można podłączyć wyłącznie urządzenia, które obsługują ten protokół.

W sieci "Bus" urządzenia mogą być połączone przy wykorzystaniu różnych schematów. W każdej z opisanych konfiguracji, poszczególne urządzenia stają się węzłem sieci. Oto możliwe schematy połączenia:

- **“gwiazdzisty”**: w tym schemacie każde urządzenie jest samodzielne ponieważ jest podłączone bezpośrednio do 2 zacisków “Bus” na Centrali
- **“łańcuchowy”**: w tym schemacie jedno urządzenie jest podłączone do drugiego, a to z kolei do następnego, jak pierścienie w łańcuchu. W związku z tym tylko pierwsze urządzenie łańcucha jest podłączone do 2 zacisków “Bus” na na Centrali.
- **“mieszane”**: schemat ten jest połączeniem dwóch konfiguracji opisanych powyżej.

W celu wyboru schematu połączeń, który będzie najlepiej nadawał się do podłączenia wszystkich urządzeń przewidzianych w danej instalacji, skorzystaj z przykładu przedstawionego na **rys. 9/rys. 26**. Zazwyczaj zaleca się by pierwszym urządzeniem podłączonym bezpośrednio do Centrali była lampa ostrzegawcza.

4.1.4 – Kontrola narzędzi potrzebnych do wykonania pracy

Przed rozpoczęciem montażu, upewnij się czy masz wszystkie urządzenia i materiały potrzebne do wykonania pracy (przykład na **rys. 10**). Ponadto upewnij się czy jest to materiał w dobrym stanie i zgodny z lokalnymi normami w materii bezpieczeństwa.

4.1.5 – Prace przygotowawcze

Wykonaj prace przygotowawcze związane z przygotowaniem bruzd pod osłony przewodów elektrycznych lub położeniem zewnętrznych korytek, następnie przymocuj powyższe osłonki do betonu i wykonaj inne prace wstępne, niezbędne do przygotowania wybranego miejsca montażu

UWAGI:

- Ustal miejsce montażu siłownika z wbudowaną Centralą w pobliżu miejsca gdzie znajduje się zasilanie elektryczne, o ile takowe już istnieje.
- Zaplanuj rozmieszczenie krańców osłon, w których będą biegiły przewody elektryczne, tak by wypadały w pobliżu miejsc montażu poszczególnych elementów.

Pamiętaj:

- Osłony mają za zadanie chronić przewody elektryczne i zapobiegać ich przypadkowemu przerwaniu, na przykład w wyniku uderzenia.
- “Stałe” urządzenia sterujące mogą być umieszczone w pobliżu bramy, ale z dala od jej części ruchomych.

4.2 – VORBEREITUNG DER ELEKTROKABEL

Um die für Ihre Anlage notwendigen Elektrokabel vorzubereiten, beziehen Sie sich bitte auf die **Abb. 9** und auf die **“Tabelle 1 – Technische Merkmale der elektrischen Kabel”**. Weiterhin befolgen Sie diese Hinweise:

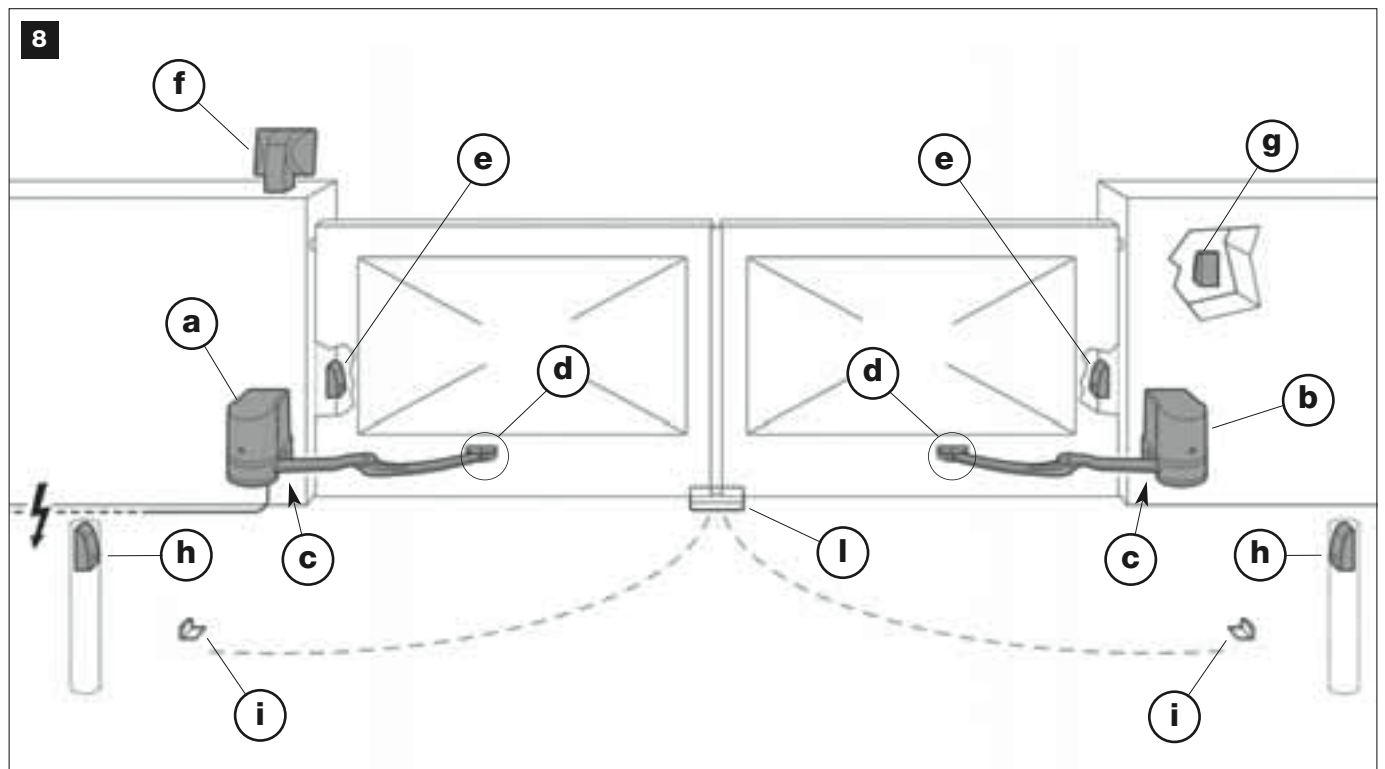
– Bei der **“Sternverbindung”** darf die Länge des einzelnen Kabels, das

eine Vorrichtung mit der Steuerung verbindet, **NICHT über 20m sein.**

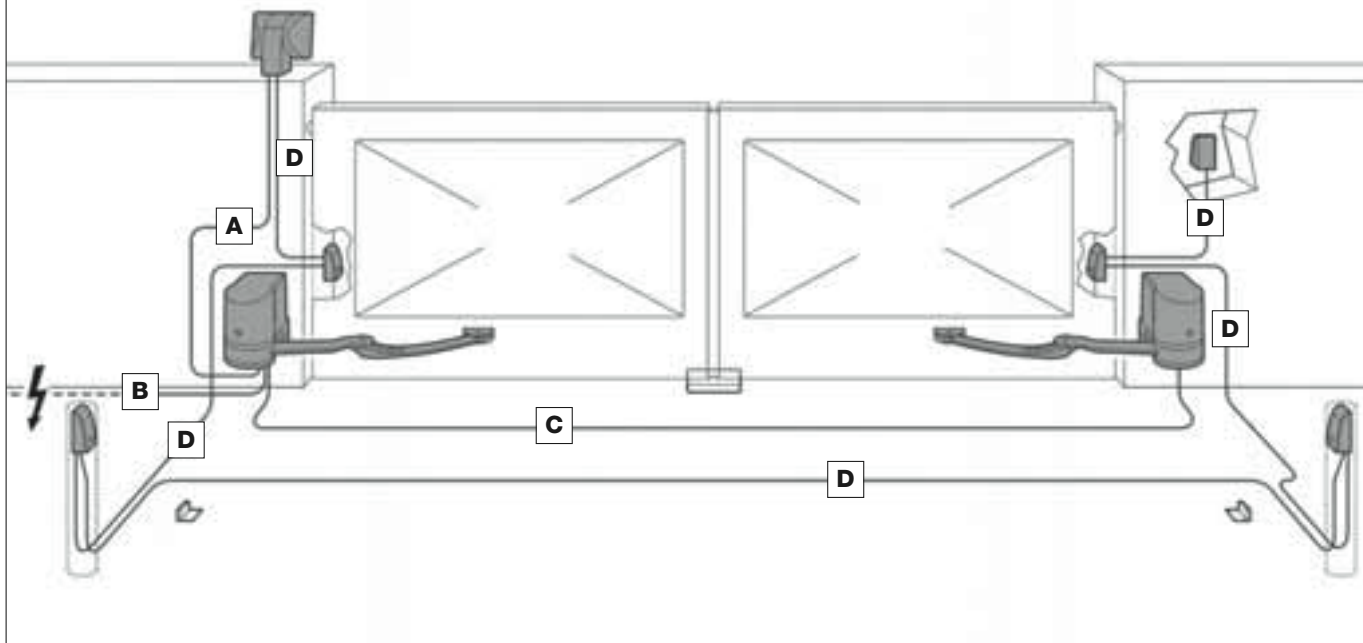
– Bei der **“Kettenverbindung”** darf die Summe der Länge eines jeden Kabels, das zur Verbindung einer Vorrichtung mit der anderen und am Ende mit der Steuerung benutzt wird, **NICHT über 20 m sein.**

– Wenn zwischen Steuerung und Blinkleuchte/Leuchtanzeige andere Vorrichtungen eingeschaltet werden, für diese dasselbe Kabel wie für die Blinkleuchte/Leuchtanzeige verwenden.

– Das Verlegen der Elektrokabel und ihre Verbindung mit den verschiedenen Vorrichtungen sind Vorgänge, die während der Installation der Komponenten auszuführen sind.



9



10

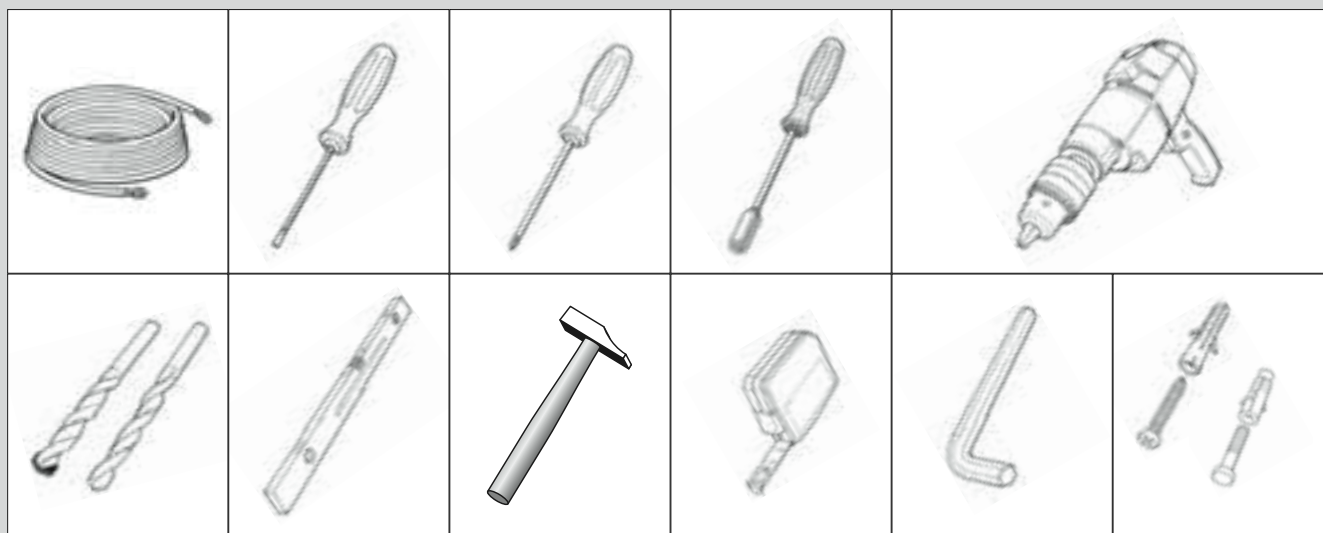


TABELA 1 – Dane techniczne przewodów elektrycznych i (uwaga nr 1)

Podłączenie	Rodzaj przewodu	Lunghezza max consentita
A - Przewód LAMPY OSTRZEGAWCZEJ	Przewód 2 x 1,0 mm ²	10 m (patrz punkt 4.2)
B - Przewód ZASILANIA	Przewód 3 x 1,5 mm ²	30 m (uwaga 2)
C - Przewód SILNIKA	Przewód 3 x 1,5 mm ²	10 m
D - Przewód BUS	Przewód 2 x 0,5 mm ²	20 m (patrz punkt 4.2)

Uwaga nr 1 – Przewody potrzebne do wykonania instalacji (nie na wyposażeniu) są zależne od ilości i rodzaju elementów, z których będzie złożona instalacja.

Uwaga nr 2 – Jeśli przewód zasilania znajdujący się na wyposażeniu jest zbyt krótki, zastąp go przewodem tego samego typu. Praca ta musi być wykonana przez doświadczony i wykwalifikowany personel - patrz rozdział "Czynności zastrzeżone dla wykwalifikowanego technika".

UWAGA! – Użyte przewody muszą być odpowiednie do otoczenia, w którym odbywa się montaż; na przykład w przypadku montażu na zewnątrz zaleca się przewód typu H07RN-F.

KROK 5

5.1 – MONTAŻ ELEMENTÓW AUTOMATYKI

OSTRZEŻENIA

- **Nieprawidłowy montaż może spowodować poważne urazy u osób wykonujących instalację oraz jej przyszłych użytkowników.**
- **Przed rozpoczęciem montażu automatyki, wykonaj wstępną kontrolę opisaną w KROKU 3.**

WAŻNE! – Poniższe etapy montażu (KROK 5) pokazują "mechaniczny" montaż jednego siłownika. Jeśli brama przeznaczona do automatyzacji jest bramą dwuskrzydłową, powtórz czynności w celu zamontowania drugiego siłownika. Zwróć uwagę podczas montażu **siłownika z Centralą** skorzystaj z uwag zawartych w KROKU 6, by wybrać skrzydło bramy, na którym powinien on zostać umieszczony.

Przymocowanie do ściany tylnego wspornika siłownika

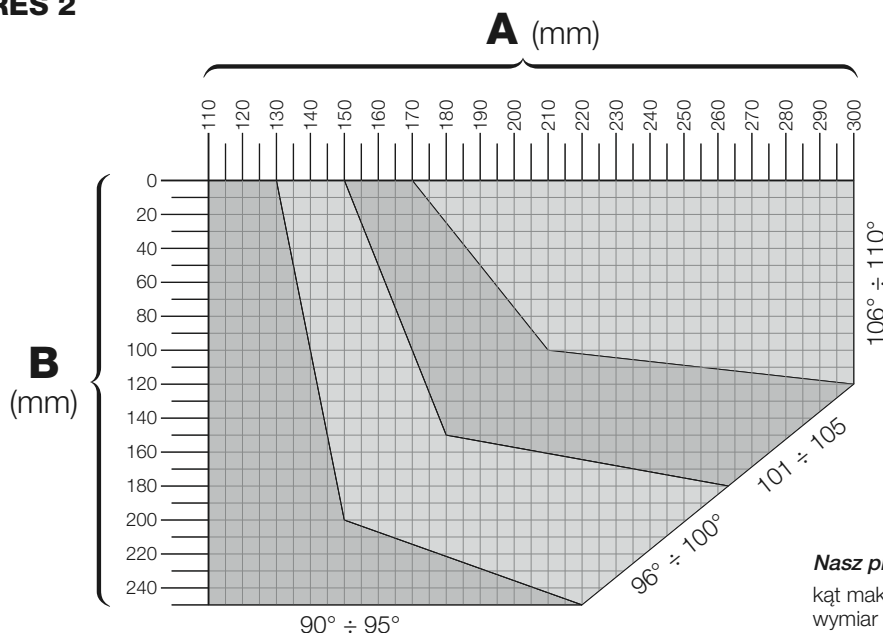
By przymocować do ściany lub do słupka bramy tylny wspornik siłownika należy określić miejsce jego montażu - w pionie i w poziomie - w następujący sposób:

- **Pozycja pionowa (rys. 5):** postępuj zgodnie z ogólnymi informacjami zawartymi w KROKU 3 i zilustrowanymi na rys. 5; następnie, po wybraniu pozycji, zaznacz ołówkiem poziomą linię na ścianie (lub na słupku).
- **Pozycja pozioma (rys. 4):** w celu określenia pozycji siłownika w poziomie skorzystaj z Wykresu 2. Wykonaj następujące czynności:

- 01. Ustal maksymalny kąt otwarcia skrzydła:**
Ustaw skrzydło bramy w żądanej pozycji maksymalnego otwarcia (pamiętaj o uwadze 4-d z KROKU 3.2) i przy użyciu goniometru przedstawionego na ostatniej stronie instrukcji, zmierz stopień kąta otwarcia skrzydła. Następnie znajdź i zaznacz na Wykresie 2 obszar zaznaczony szarym kolorem, który odpowiada zmierzonemu kątowi.
- 02. Ustal wymiar B i wymiar A:**
Korzystając z rys. 11 zmierz ile wynosi twój wymiar B. Wymiar ten, to odległość pomiędzy osią obrotu skrzydła bramy a powierzchnią, na której zostanie zamocowany tylny wspornik. Następnie zaznacz na wykresie wymiar B i narysuj – poczynając od niego – linię poziomą, aż do przecięcia obszaru kąta, który określiłeś w punkcie poprzednim. Narysowana linia wyznacza 2 punkty na tym obszarze. Poczynając od każdego z nich narysuj linię pionową skierowaną ku górze aż przetniesz linię określającą wymiar A. Obszar oznaczony tymi liniami będzie wskazywał **wymiary A**, a więc wartości możliwe do użycia podczas mocowania tylnego wspornika.

- 03.** Teraz, zaznacz na ścianie (na słupku bramy) ustalony wymiar i narysuj pionową linię przechodzącą przez ten punkt. Następnie - korzystając z linii zaznaczonych na ścianie - przyłóż tylny wspornik do powierzchni w określonej pozycji i ołówkiem zaznacz miejsca wykonania otworów.
- 04.** Przy użyciu wiertarki zrób w ścianie otwory, włóż kołki (minimum 8 mm; brak w zestawie) i przymocuj wspornik, korzystając z odpowiednich śrub i podkładek (rys. 12). **Ważne** – Upewnij się czy wspornik jest idealnie wypoziomowany, siłownik niewypoziomowany może być przyczyną nieprawidłowego działania automatyki (rys. 13 i 14).
Pamiętaj – Śruby potrzebne do zamocowania wspornika do ściany nie znajdują się w zestawie, ponieważ ich rodzaj zależy od materiału i grubości ściany, w której zostaną użyte.
- 05.** Przy użyciu klucza 13 mm zdejmij ogranicznik mechaniczny znajdujący się na dolnej ścianie siłownika (rys. 15), w tym celu poluzuj i odkręć nakrętkę samoblokującą śruby ogranicznika mechanicznego.
- 06.** Włóż końcówkę wspornika w odpowiednie miejsce w tylnej części siłownika, tak by otwory znajdujące się na siłowniku nałożyły się na otwory wspornika (rys. 16).
- 07.** Przytrzymaj siłownik jedną ręką, a drugą włóż do otworów śruby znajdujące się w zestawie. **Pamiętaj** – Jeśli śruby nie wchodzi lekko w otwory, skorzystaj z młotka i klucza, by włożyć je do końca (patrz rys. 17). Następnie przymocuj śruby przy użyciu odpowiednich nakrętek. Użyj klucza ampulowego do przytrzymania główki śruby oraz śrubokrętu do nakrętek (10 mm) - o zewnętrznych wymiarach nie przekraczających 14,5 mm – do przykręcenia nakrętki.
- 08.** Przymocuj zakrzywione ramię do siłownika. **WAŻNE!** – **Ramię musi być ustawione tak, by zakrzywienie było zwrócone w kierunku skrzydła bramy.** Włóż końcówkę ramienia prostego w otwór zakrzywionego ramienia i przymocuj wszystko śrubą, podkładką i nakrętką, które znajdziesz w zestawie (rys. 18).
- 09.** By zamocować uchwyt mocujący do skrzydła bramy postępuj w następujący sposób:
 - a)** Włóż uchwyt w końcówkę zakrzywionego ramienia tak, by otwory nałożyły się na siebie, a następnie włóż w nie sworznię, znajdującą się na wyposażeniu (bez pierścienia zabezpieczającego typu Benzing - rys. 19).
 - b)** Przy użyciu odpowiedniego klucza wysprężlij siłownik (patrz rozdział "Ręczne zasprężanie i wysprężanie siłownika", który znajdziesz w "Instrukcji użytkownika").
 - c)** Ustaw skrzydło bramy w pozycji pełnego Zamknięcia i rozewrzyj ramiona siłownika, aż do uzyskania maksymalnego rozwarcia (rys. 20). Teraz przybliż je do skrzydła, aż uchwyt mocujący przylgnie całkowicie do skrzydła.
 - d)** Przy użyciu ołówka zaznacz miejsca wykonania otworów, a następnie wykonaj je przy użyciu wiertarki.

WYKRES 2



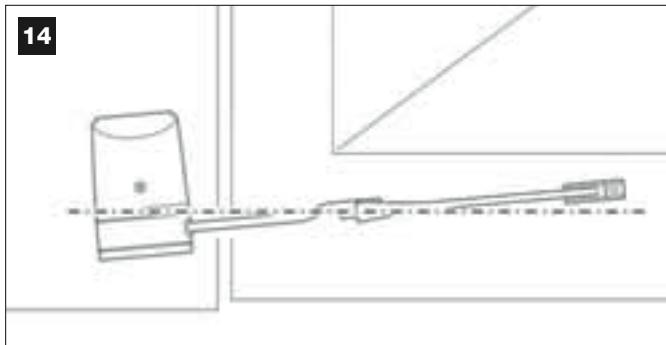
Nasz przykład:

kąt maksymalnego otwarcia skrzydła = 98°;
wymiar B = 120 mm; wymiar A możliwy do wykorzystania od 142 mm do 174 mm.

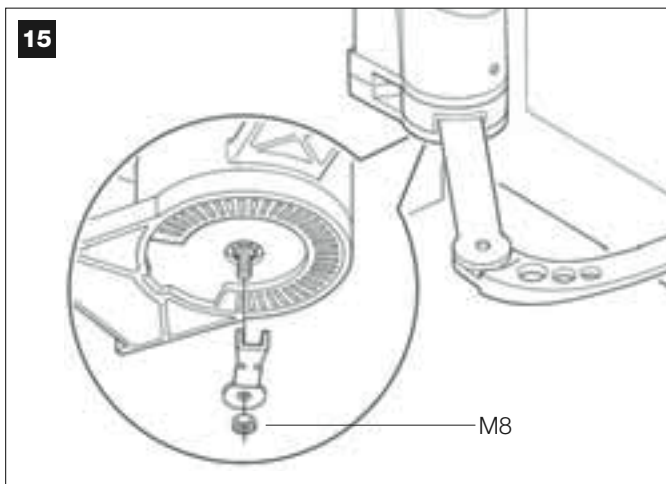
Pamiętaj – Śruby potrzebne do zamocowania uchwyty na skrzydle bramy nie znajdują się w zestawie, ponieważ ich rodzaj zależy od materiału i grubości bramy wjazdowej lub garażowej, w której będą one użyte.

10. Odczep uchwyt od ramienia siłownika i przymocuj go do skrzydła bramy. **Ważne** – Upewnij się czy wspornik jest idealnie wypoziomowany.
11. Przymocuj ramię siłownika do uchwyty przy użyciu **sworznia oraz zabezpieczającego pierścienia typu Benzing**, znajdującego się na wyposażeniu.
12. **UWAGA!** – Jeśli w miejscu montażu brak ograniczników mechanicznych na ziemi, patrz KROK 5.2.
13. Na koniec - cały czas na wysprężonym siłowniku - ustaw ręcznie skrzydło bramy mniej więcej w połowie jej biegu (**rys.21**) i przy użyciu specjalnego klucza zasprężnij siłownik (patrz rozdział **"Ręczne zasprężanie i wysprężanie siłownika"**, który znajdziesz w części "DOKUMENTACJA TECHNICZNA"). Teraz przesun delikatnie skrzydło bramy o kilka centymetrów w kierunku maksymalnej pozycji *Otwarcia*, aż usłyszysz kliknięcie.
14. Jeśli brama przeznaczona do automatyzacji jest bramą dwuskrzydłową, powtórz czynności opisane w KROKU 5, by zamontować drugi siłownik.

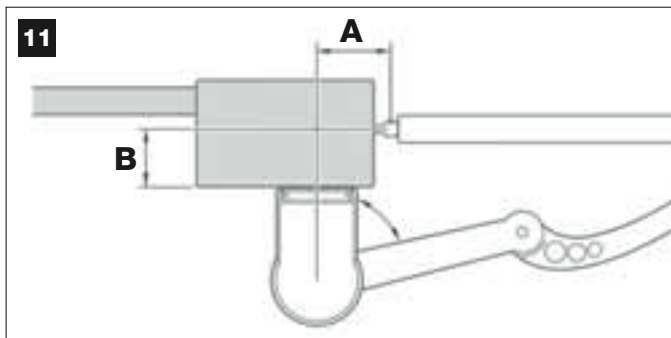
14



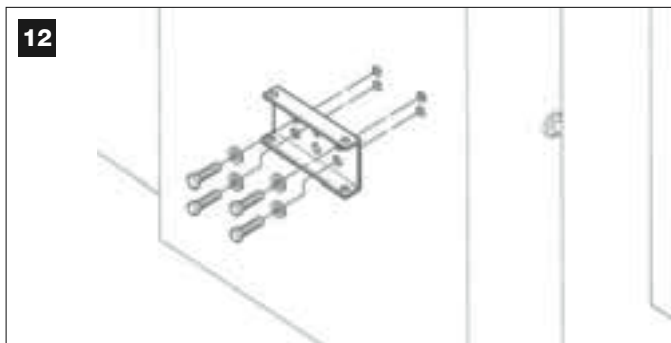
15



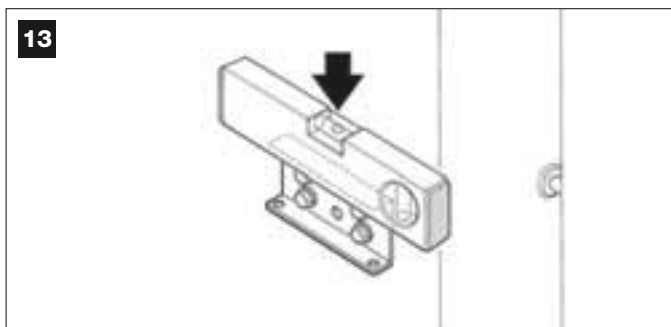
11



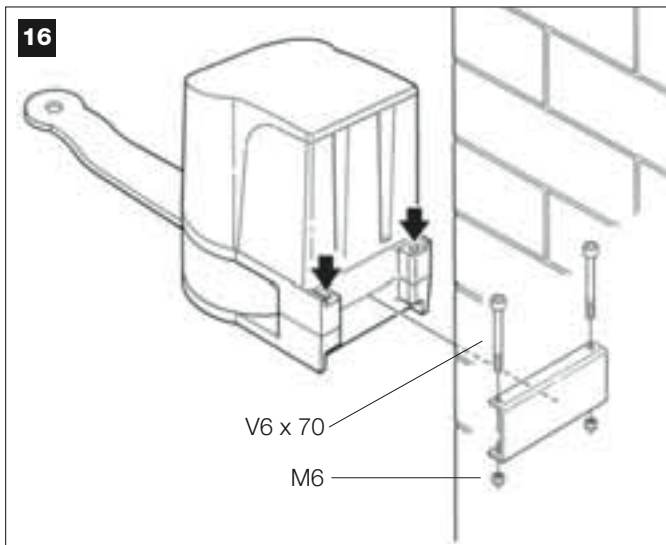
12



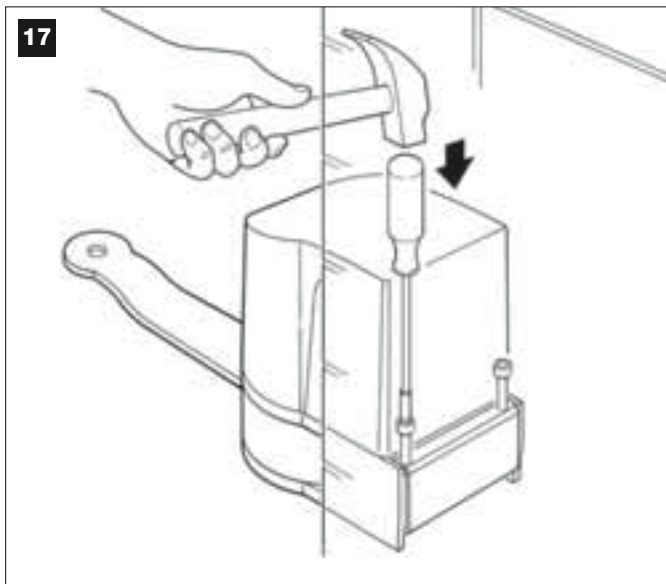
13



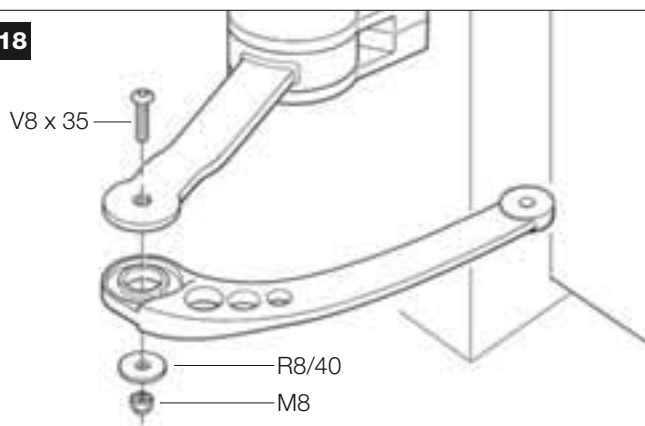
16



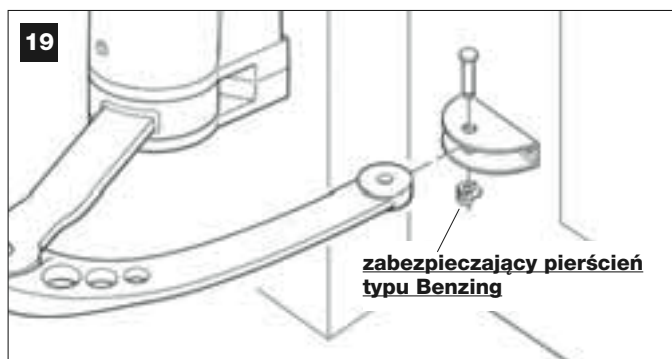
17



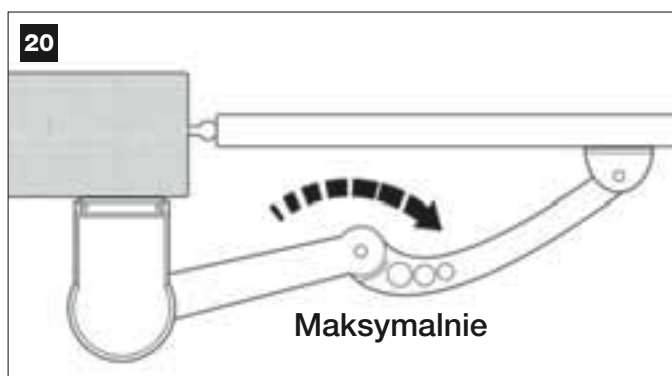
18



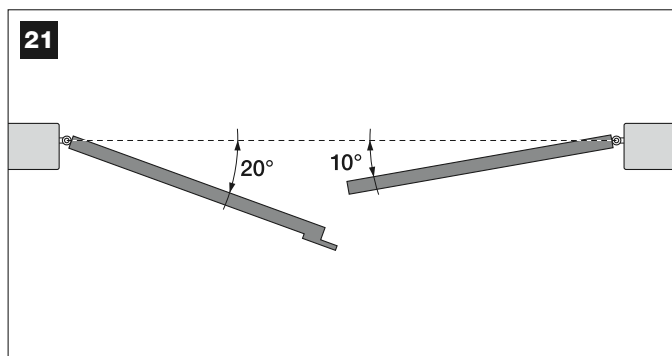
19



20



21



5.2 – USTAWIENIE OGRANICZNIKA MECHANICZNEGO MANEWRU OTWARCIA

Jeśli w miejscu montażu brak ograniczników mechanicznych na ziemi, mających za zadanie zatrzymanie skrzydeł bramy na zakończenie manewru *Otwarcia*, ustaw mechaniczny ogranicznik, znajdujący się na dolnej ścianie każdego siłownika. W tym celu wykonaj następujące czynności:

01. Przy wysprężonym siłowniku, ustaw skrzydło ręcznie w pozycji *Otwarcia*.
02. Znajdź środek (oś) ramienia siłownika i oznacz go przy użyciu kawałka taśmy samoprzylepnej, przyczepiając ją na nieruchomej części siłownika, nad ramieniem (rys. 22).

03. Teraz zamknij skrzydło bramy.

04. By ułatwić mocowanie ogranicznika mechanicznego, zalecamy przyklepnięcie dłuższego kawałka taśmy, aż do podstawy siłownika, tak jak pokazano na rys. 23.

05. Ustaw ogranicznik mechaniczny w następujący sposób: jeśli pracujesz na siłowniku, który porusza lewym skrzydłem, ogranicznik mechaniczny musi zostać zamocowany po lewej stronie od taśmy samoprzylepnej, przylegając do niej; natomiast jeśli pracujesz na prawym siłowniku, ogranicznik mechaniczny musi zostać zamocowany po prawej stronie od taśmy samoprzylepnej, przylegając do niej (rys. 24). Następnie przymocuj go przy użyciu nakrętki samoblokującej (rys. 25).

06. Teraz, poruszaj ręcznie skrzydłem bramy, by upewnić się czy zatrzyma się ona dokładnie w żądanej pozycji maksymalnego *Otwarcia*. Jeśli tak by się nie stało, przesunij ogranicznik mechaniczny o jeden lub dwa "zębki" i ponownie sprawdź pozycję maksymalnego *Otwarcia*.

07. Cały czas przy wysprężonym siłowniku, ustaw ręcznie skrzydło bramy mniej więcej w połowie jej biegu i przy użyciu specjalnego klucza zasprężnij siłownik (patrz rozdział "Ręczne zasprężanie i wysprężanie siłownika", który znajdziesz w "Instrukcji użytkownika") Teraz przesunij delikatnie skrzydło bramy o kilka centymetrów w kierunku maksymalnej pozycji *Otwarcia*, aż usłyszysz kliknięcie.

22



23



24



25



KROK 6

MONTAŻ I PODŁĄCZENIA ELEKTRYCZNE DO CENTRALI URZĄDZEŃ, SKŁADAJĄCYCH SIĘ NA INSTALACJĘ

Zamontuj i podłącz urządzenia przewidziane w instalacji, korzystając z uwag opisanych w poniższych KROKACH oraz przykładu z rys. 26.

UWAGA! – Błędne podłączenie może doprowadzić do uszkodzeń lub niebezpiecznych sytuacji, w związku z tym skrupulatnie przestrzegaj wskazanych podłączeń.

By dostać się do Centrali sterującej, zdejmij pokrywę siłownika z Centralą postępując w następujący sposób (patrz rysunek obok):

- Przy użyciu śrubokrętu gwiazdkowego odkręć śrubę w górnej części pokrywy.
- Przyłóż dwa palce do dwóch wgłębień, które znajdziesz na tylnej części siłownika i zdejmij pokrywę pociągając ją do góry, tak aby obróciła się na swojej podstawie.



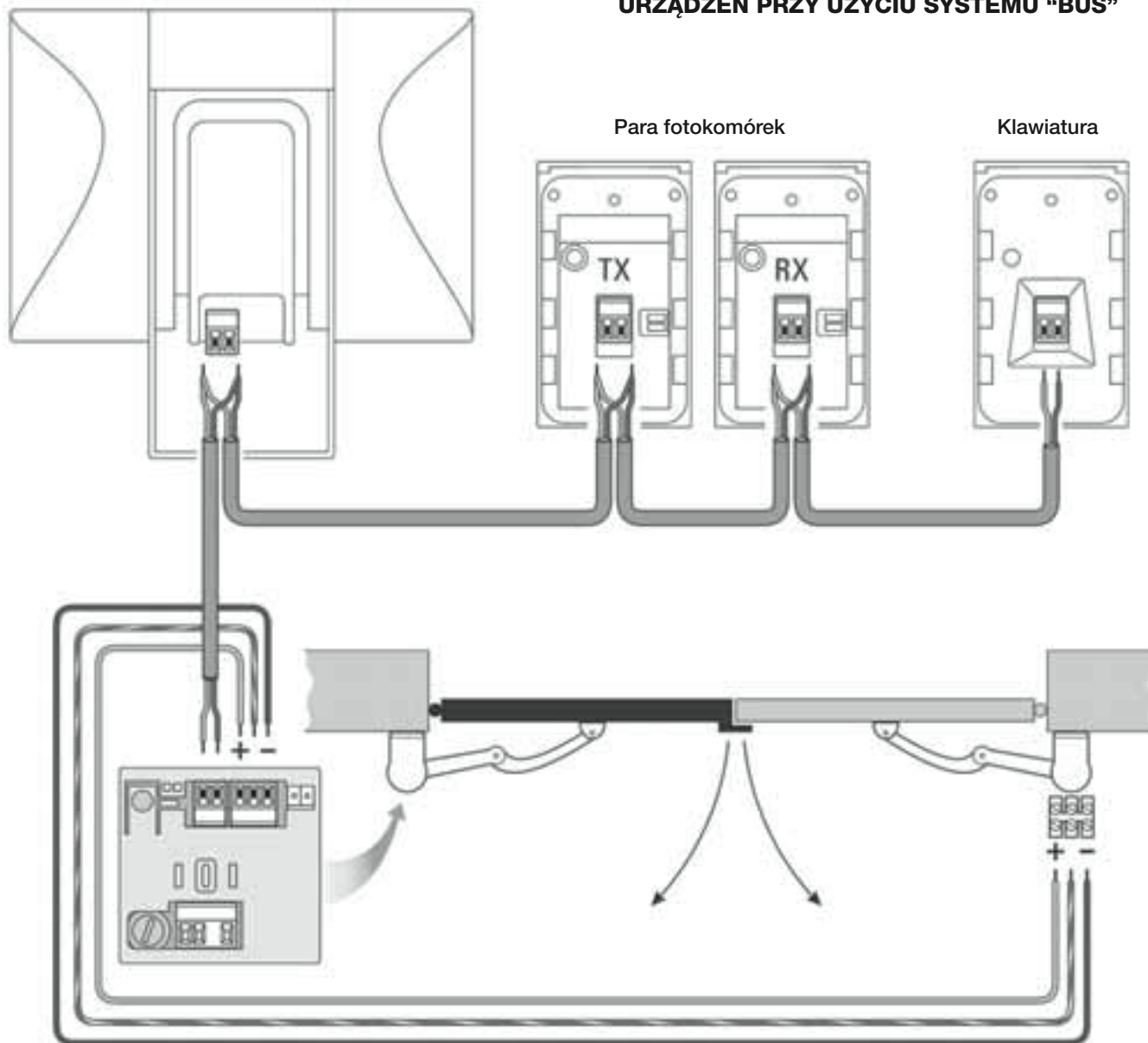
26

Lampa ostrzegawcza

SCHEMAT POŁĄCZENIA URZĄDZEŃ PRZY UŻYCIU SYSTEMU "BUS"

Para fotokomórek

Klawiatura



6.1 – USTAWIANIE KOLEJNOŚCI OTWARCIA SKRZYDEŁ BRAMY

W celu prawidłowego ustawienia w **Centrali sterującej** kolejności otwarcia skrzydeł bramy, wybierz wśród poniższych konfiguracji tę, która odpowiada twojej instalacji i postępuj wedle wskazań.

Wykonanie poniższych czynności może wymagać wyjęcia Centrali z obsady, wówczas postępuj według zaleceń opisanych w części **“Wyjęcie Centrali sterującej z siłownika”**.

Przypadek A: nie potrzebna jest żadna zmiana.



Przypadek B: (na Centrali) należy wykonać następujące czynności:

– znajdź mostek elektryczny **“Sel”** i przesuń go z początkowej pozycji wskazanej na **rys. 27**, w pozycję przedstawioną na **rys. 28**

– zamień miejscami przewody na listwie zaciskowej oznaczonej jako **“Motor 2”** (**rys. 29**).

– zamień miejscami przewody na listwie zaciskowej oznaczonej jako **“Motor 1”** (**rys. 30**).



Przypadek C:

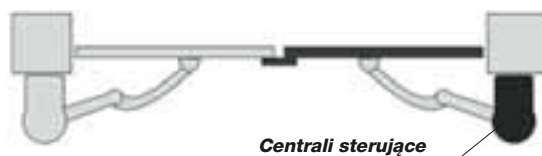
– (na Centrali) znajdź mostek elektryczny **“Sel”** i przesuń go z początkowej pozycji wskazanej na **rys. 27**, w pozycję przedstawioną na **rys. 28**



Przypadek D: (na Centrali) należy wykonać następujące czynności:

– zamień miejscami przewody na listwie zaciskowej oznaczonej jako **“Motor 2”** (**rys. 29**).

– zamień miejscami przewody na listwie zaciskowej oznaczonej jako **“Motor 1”** (**rys. 30**).



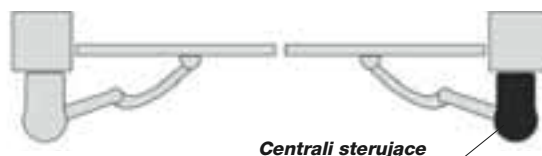
Przypadek E: nie potrzebna jest żadna zmiana.



Przypadek F: (na Centrali) należy wykonać następujące czynności:

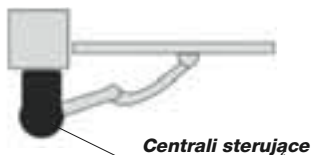
– zamień miejscami przewody na listwie zaciskowej oznaczonej jako **“Motor 2”** (**rys. 29**).

– zamień miejscami przewody na listwie zaciskowej oznaczonej jako **“Motor 1”** (**rys. 30**).



Przypadek G: w celu automatyzacji jednoskrzydłowej bramy wjazdowej lub garażowej, na której siłownik z wbudowaną Centralą jest ustawiony po **lewej**, wykonaj następujące czynności:

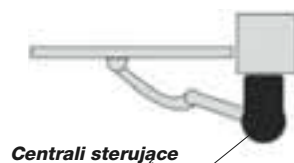
– (na Centrali) znajdź mostek elektryczny **“Sel”** i przesuń go z początkowej pozycji wskazanej na **rys. 27**, w pozycję przedstawioną na **rys. 28**.



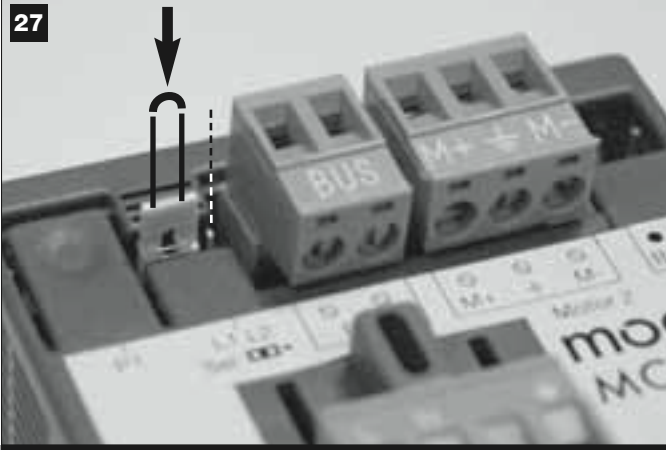
Przypadek H: w celu automatyzacji jednoskrzydłowej bramy wjazdowej lub garażowej, na której siłownik z wbudowaną Centralą jest ustawiony po **prawej**, wykonaj następujące czynności

– (na Centrali) znajdź mostek elektryczny **“Sel”** i przesuń go z początkowej pozycji wskazanej na **rys. 27**, w pozycję przedstawioną na **rys. 28**

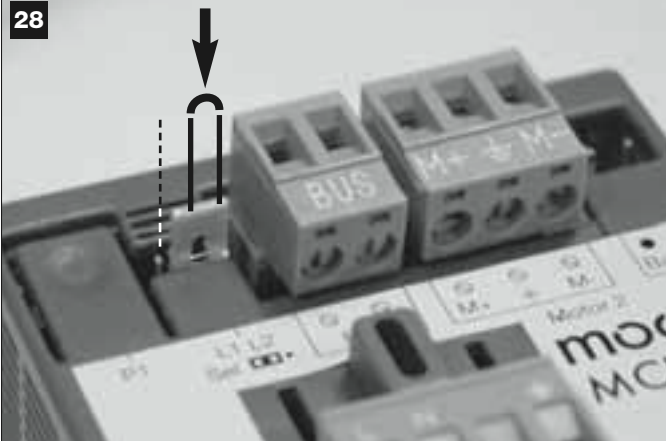
– (na Centrali) zamień miejscami przewody na listwie zaciskowej oznaczonej jako **“Motor 1”** (**rys. 30**).



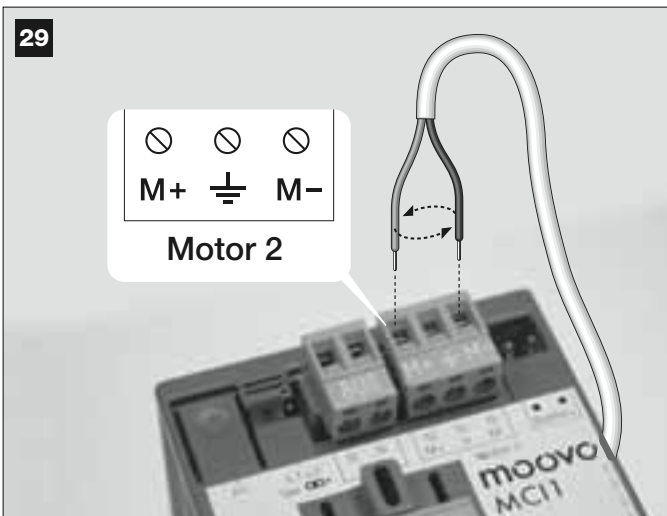
27



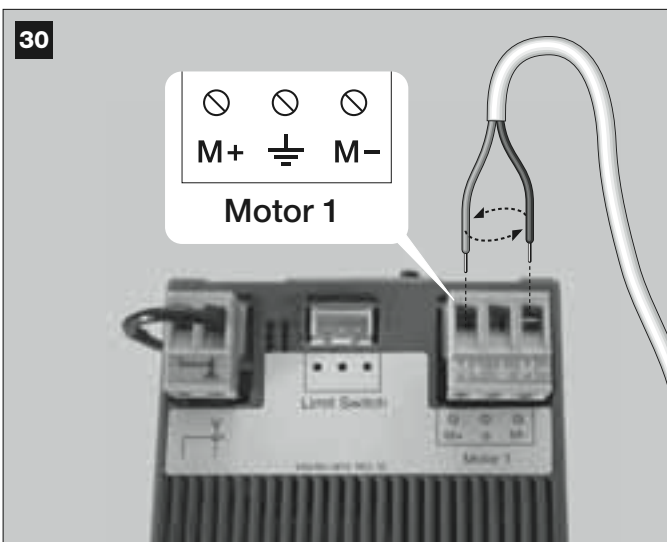
28



29



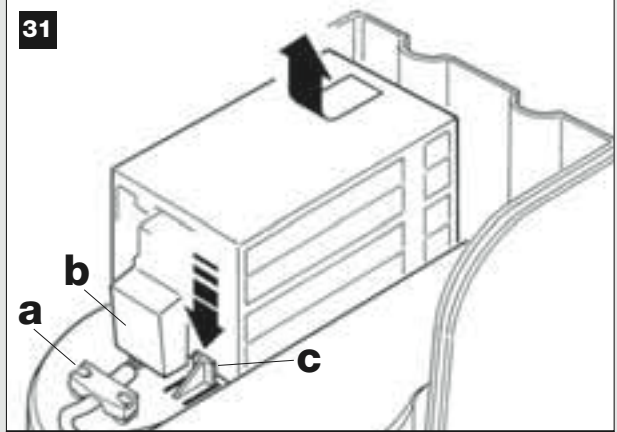
30



WYJĘCIE CENTRALI STERUJĄCEJ Z SIŁOWNIKA

01. Przy użyciu śrubokręta gwiazdkowego, odkręć śruby opaski (rys. 31-a) oraz pokrywy listwy zaciskowej (rys. 31-b), by ułatwić wyjęcie Centrali z obsady.
02. Rys. 31-32: wciśnij jednym palcem kłapkę (rys. 31-c), która blokuje Centralę, a drugą ręką, wyjmij Centralę z obsady wypychając ją do przodu i jednocześnie do góry tak, by wyszła z szyny, w której jest obsadzona.

31

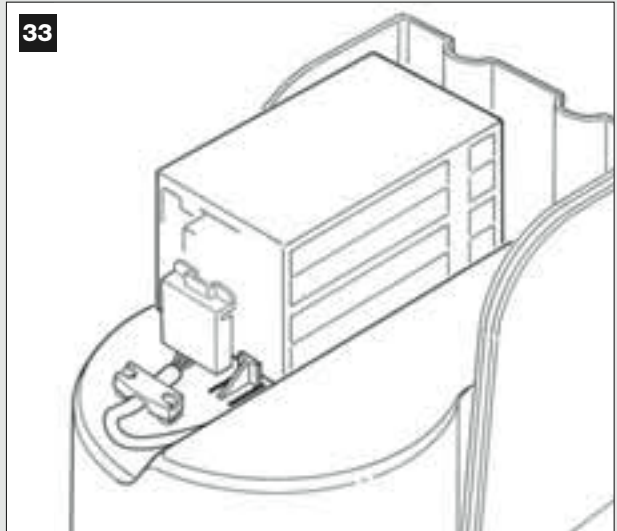


32



03. Rys. 33: po wykonaniu pracy, włóż na nowo Centralę w obsadę wykonując w tym celu następujące czynności:
a) ustaw Centralę nad kłapką (rys. 31-c), a następnie naciśnij ją do dołu, pociągając jednocześnie do tyłu, aż usłyszysz kliknięcie.
Na zakończenie załóż na nowo pokrywę na opaskę i listwę zaciskową.

33



6.2 – MONTAŻ I PODŁĄCZENIE SIŁOWNIKA BEZ CENTRALI

Jeśli instalacja przewiduje użycie dwóch siłowników, siłownik bez Centrali należy połączyć z siłownikiem z wbudowaną Centralą, w następujący sposób:

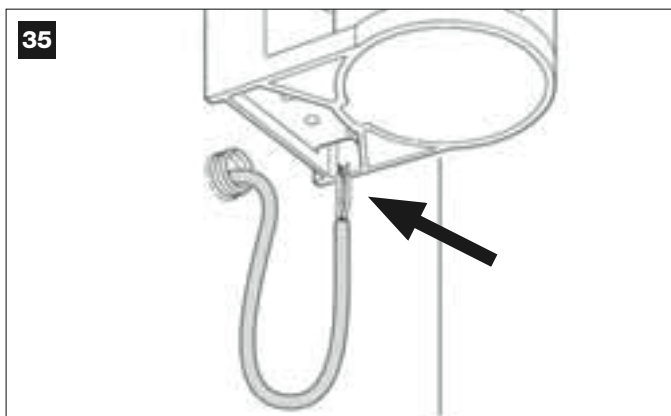
01. Rys. 34:

- Przy użyciu śrubokręta gwiazdkowego odkręć śrubę, która znajduje się w górnej części pokrywy siłownika bez Centrali.
- Przyłóż dwa palce do dwóch wgłębień, które znajdziesz na tylnej części siłownika i zdejmij pokrywę pociągając ją do góry, tak aby obróciła się na swojej podstawie.



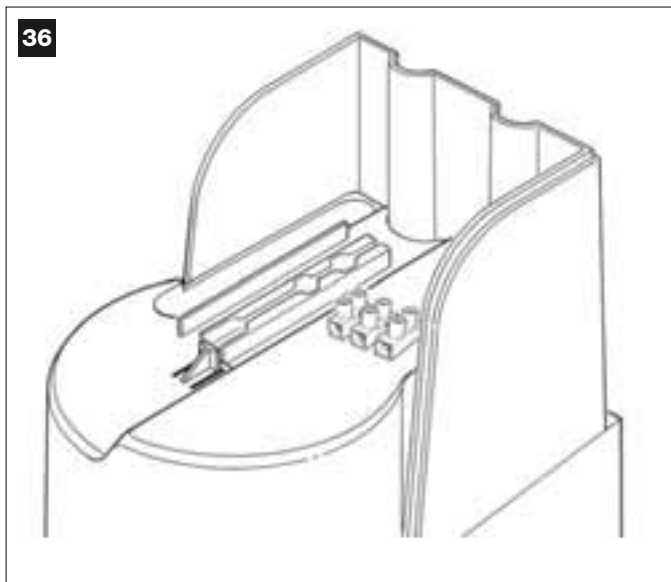
02. Rys. 35:

Włóż przewód łączący w otwór znajdujący się na dolnej ścianie siłownika.



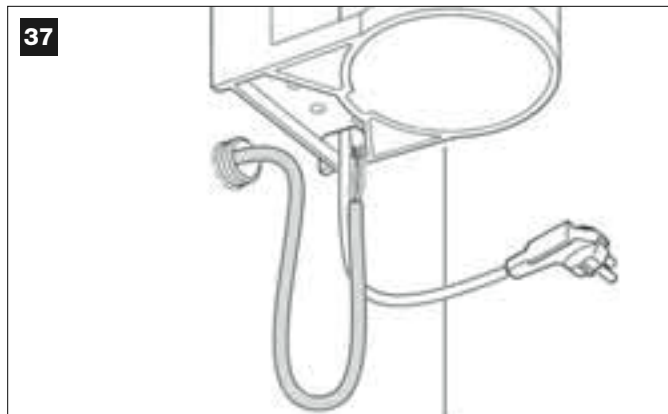
03. Rys. 36:

Podłącz żyły przewodu do listwy zaciskowej, z zachowaniem wskazanych oznaczeń. Następnie przymocuj przewód przy użyciu opaski.



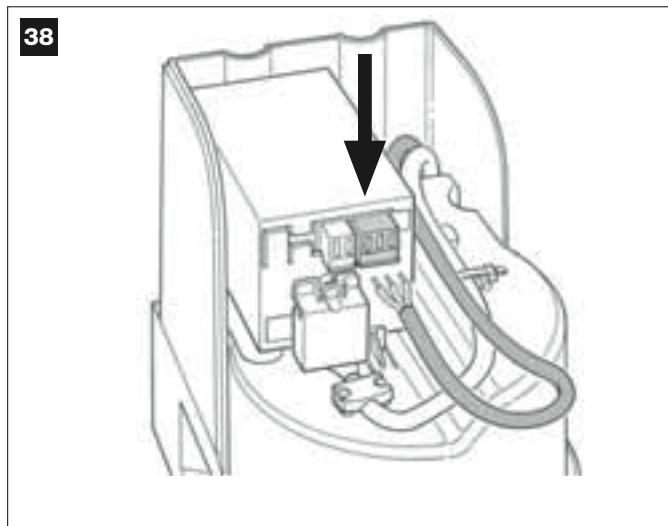
04. Rys. 37:

Na siłowniku z wbudowaną Centralą, zdejmij pokrywę i przelóż przez otwór znajdujący się z przodu w dolnej części siłownika, przewód łączący pochodzący z drugiego siłownika.



05. Rys. 38:

- Wyjmij z gniazda listwę zaciskową zasilania, by ułatwić odkręcenie śrub 3 zacisków.
- Podłącz żyły przewodu, uwzględniając oznaczenia znajdujące się na listwie zaciskowej, a potem włóż ją ponownie do gniazda.



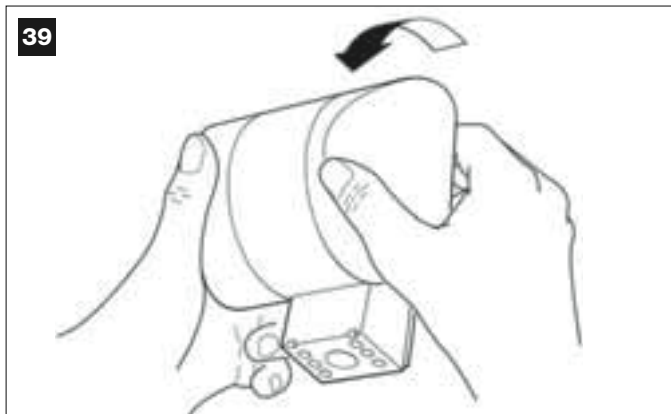
6.3 – MONTAŻ I PODŁĄCZENIE LAMPY OSTRZEGAWCZEJ mod. MF

Jest to urządzenie świetlne sygnalizujące manewr w toku. Lampa jest podłączona także do systemu autodiagnostycznego Centrali i w przypadku wystąpienia anomalii pracy, sygnalizuje rodzaj zaistniałego problemu poprzez określone sekwencje mignięć (patrz punkt "Co robić gdy...").

W celu montażu i podłączenia lampy ostrzegawczej wykonaj następujące czynności:

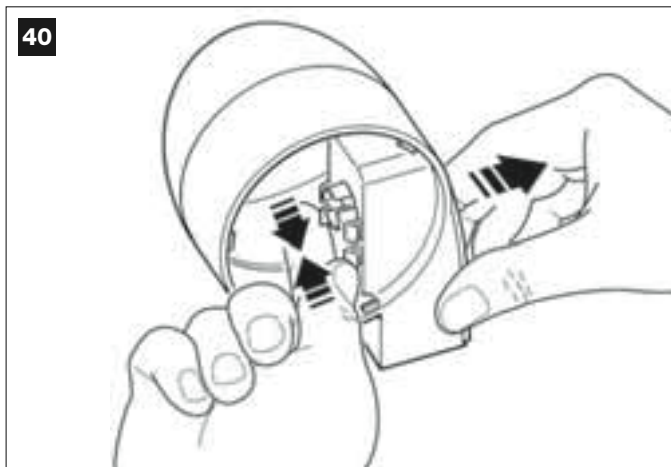
01. Rys. 39:

Zdejmij jedną z dwóch przezroczystych nasadek, przekręcając ją w kierunku przeciwnym do ruchu wskazówek zegara a następnie odłóż ją na bok.



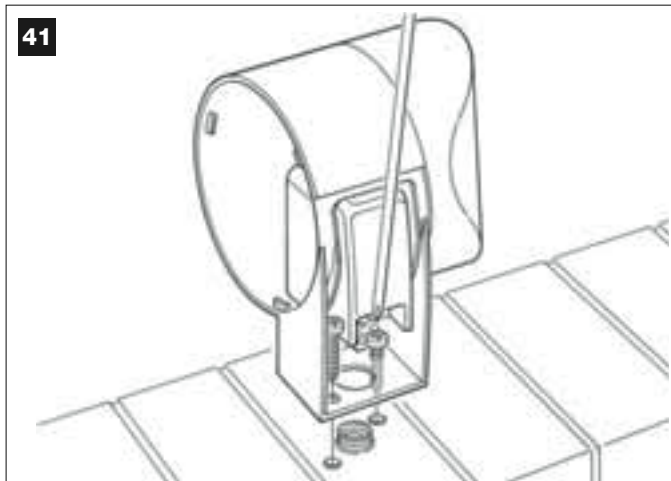
02. Rys. 40:

Wciśnij jednocześnie - dwoma palcami jednej ręki - dwa wpusty znajdujące się u dołu, a drugą ręką zdejmij zewnętrzną pokrywę lampy ostrzegawczej.



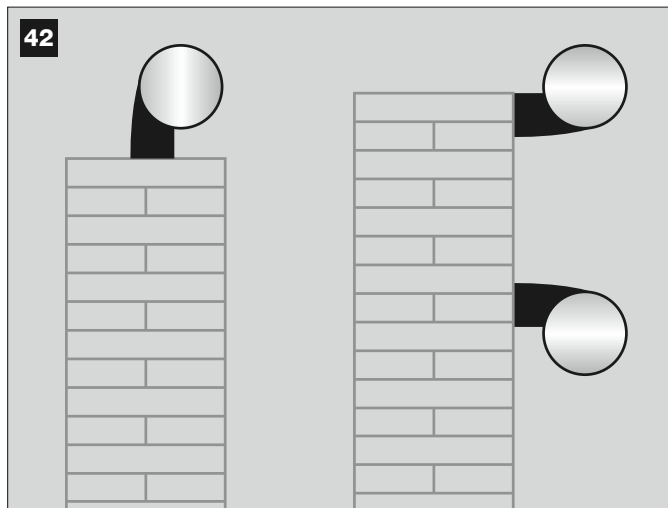
03. Rys. 41:

Przy użyciu wiertarki wykonaj otwór - na tylnej obudowie lampy ostrzegawczej - w miejscach przeznaczonych do mocowania przy użyciu śrub i do przełożenia przewodów.



04. Rys. 42:

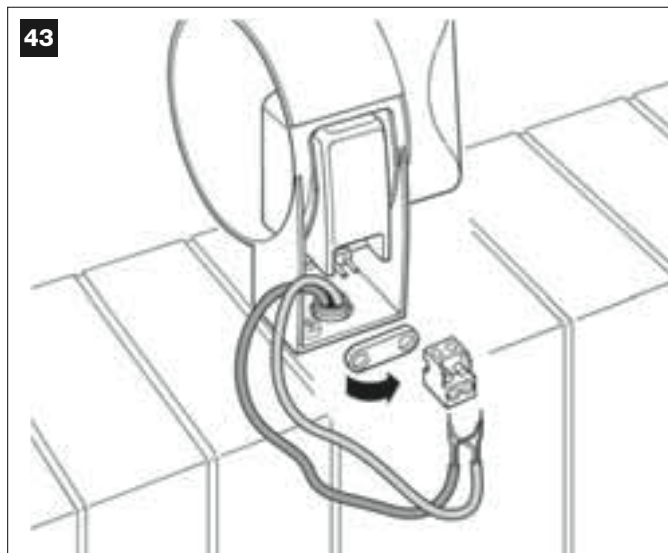
Uwaga! – nie jest dozwolony montaż produktu w miejscach odmiennych od wskazanych.



05. Przymocuj, przy użyciu odpowiednich śrub, obudowę lampy ostrzegawczej do ściany, przekładając przewody przez przygotowany uprzednio otwór.

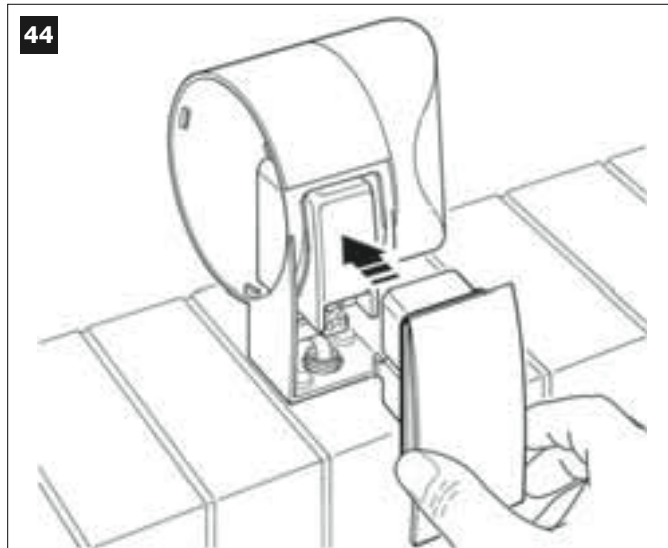
06. Rys. 43:

- a) Połącz pomiędzy sobą żyły dwóch przewodów i podłącz je do listwy zaciskowej
- b) Zablockuj przewód przy użyciu specjalnej opaski.



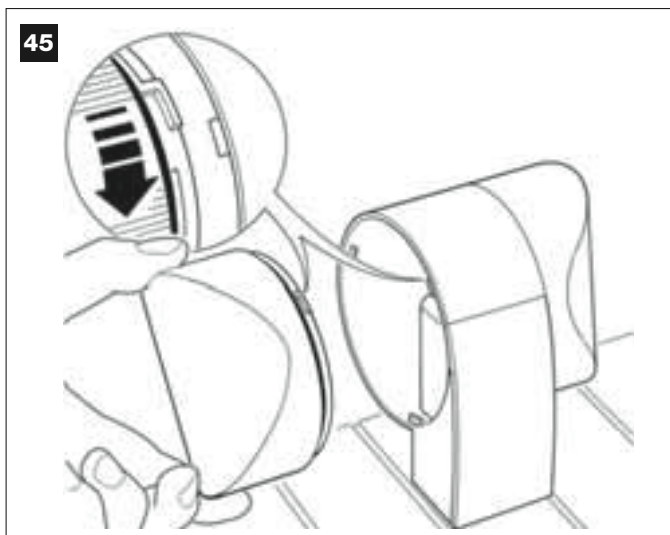
07. Rys. 44:

Włóż zewnętrzną pokrywę lampy ostrzegawczej na miejsce - usłyszysz kliknięcie obu wpustów.



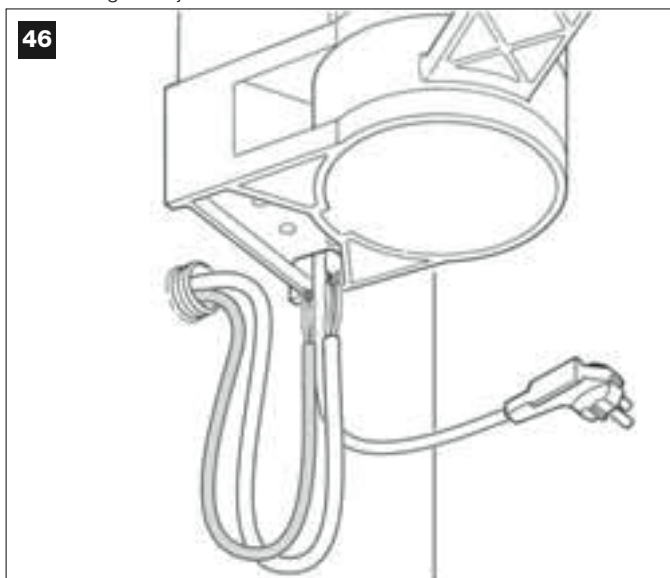
08. Rys. 45:

Włóż przezroczystą nasadkę na miejsce i obróć ją w kierunku zgodnym z ruchem wskazówek zegara. Pamiętaj, że nasadka musi założyć się z obudową lampy ostrzegawczej.



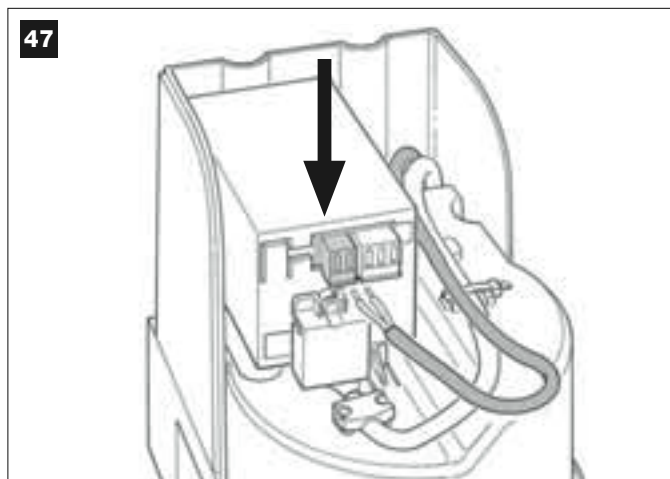
09. Rys. 46:

Na siłowniku z wbudowaną Centralą włóż w otwór, znajdujący się z przodu w dolnej części siłownika, przewód podłączeniowy lampy ostrzegawczej.



10. Rys. 47:

- a) Na Centrali, wyjmij z obsady listwę zaciskową przeznaczoną do podłączenia BUS, by łatwo odkręcić śruby 2 zacisków.
- b) Podłącz żyły przewodu, uwzględniając oznaczenia znajdujące się na listwie zaciskowej i włóż ją z powrotem na miejsce.
- c) Na zakończenie zaciśnij przelotkę, mocując przewód do siłownika.



6.4 – MONTAŻ I PODŁĄCZENIE FOTOKOMÓREK mod. MP

Parę fotokomórek tworzy fotokomórka nadająca (zwana TX) oraz fotokomórka odbierająca (zwana RX). TX i RX są oznaczone przy użyciu etykiety znajdującej się wewnątrz pokrywy. Każda z fotokomórek jest montowana na jednym z boków przejścia i podłączana do Centrali za lampą ostrzegawczą, przy użyciu przewodu BUS.

Fotokomórki to urządzenia zabezpieczające, które pozwalają na wykrycie przeszkód znajdujących się na łączącej je linii optycznej. Instalacja może zawierać maksymalnie do 6 par fotokomórek zabezpieczających oraz jedną parę fotokomórek sterujących wyłącznie manewrem *Otwarcia* (w przypadku montażu dodatkowych fotokomórek zapoznaj się z ramką "Wybór trybu działania pary fotokomórek").

By zamontować i podłączyć jedną parę fotokomórek postępuj w następujący sposób:

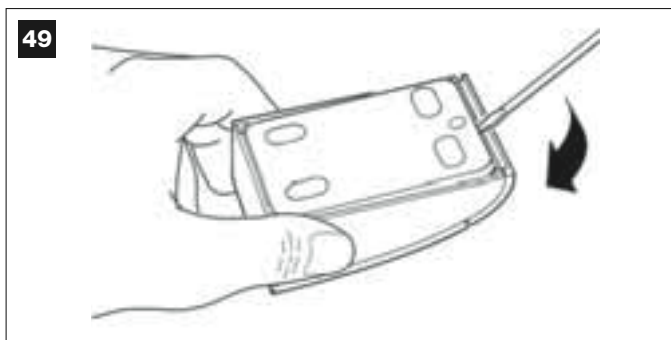
01. Rys. 48:

Zdejmij zewnętrzną pokrywę, która zasłania śrubę, naciskając z boku, zgodnie z ilustracją przedstawioną na rysunku.



02. Rys. 49:

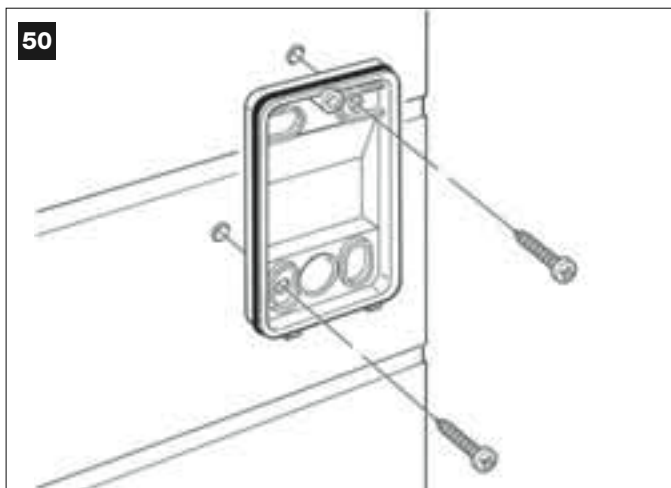
Przy użyciu śrubokrętu, otwórz i wyjmij tylną ściankę fotokomórki.



03. Rys. 50:

a) Przy użyciu wiertarki wykonaj otwór w tylnej ściance, w miejscu, przez które należy przełożyć przewody.

b) Przymocuj tylną ściankę fotokomórki do ściany przy użyciu odpowiednich śrub, przekładając przewody przez przygotowany wcześniej otwór.

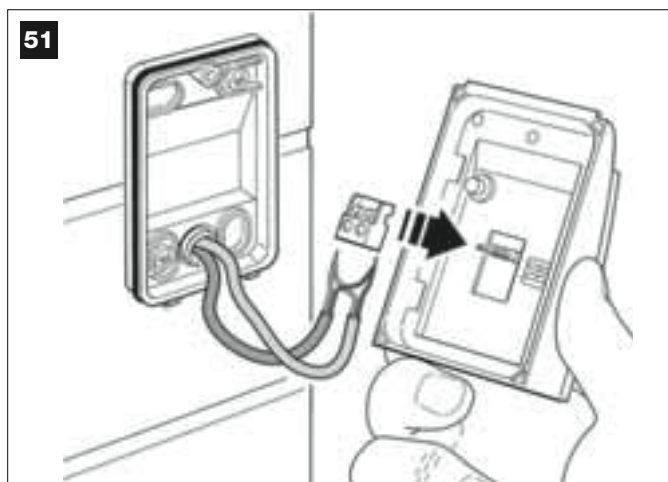


04. Rys. 51:

a) Połącz pomiędzy sobą żyły obu przewodów i zamocuj je do listwy zaciskowej.

b) Włóż listwę zaciskową na złączkę męską, który znajduje się z tyłu fotokomórki.

WAŻNE! – Przed zamknięciem fotokomórki wybierz przy użyciu odpowiedniego mostka elektrycznego tryb pracy fotokomórek (patrz ramka "Wybór trybu pracy pary fotokomórek").



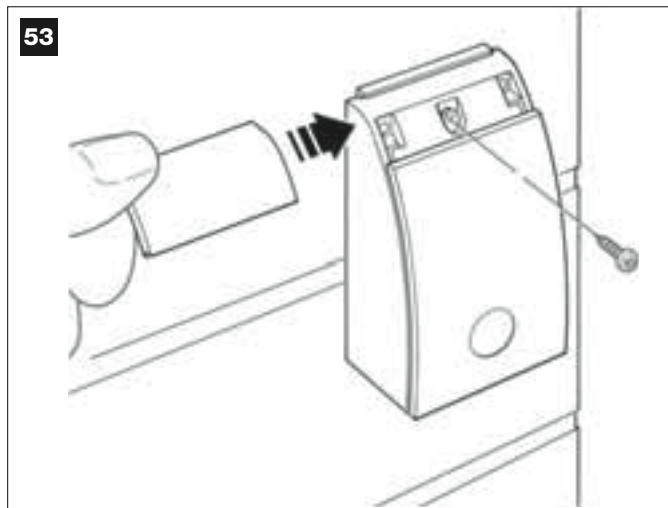
05. Rys. 52:

Założ z powrotem obudowę, tak by założyła się ona z tylną ścianką fotokomórki.



06. Rys. 53:

Zamocuj obudowę fotokomórki do jej tylnej ścianki przy użyciu śrub, znajdujących się na wyposażeniu. Na zakończenie załóż z powrotem zewnętrzną pokrywę, która zasłania śruby, tak jak pokazano na rysunku.



WYBÓR TRYBU PRACY PARY FOTOKOMÓREK

W instalacjach automatyki do bramy skrzydłowych można w każdej chwili zamontować dodatkowe pary fotokomórek. Można dodać maksymalnie do 6 par fotokomórek bezpieczeństwa (przykład **A-B-C-D-E-F** na **rys. 54**) i 1 parę sterującą (przykład **G** na **rys. 54**), która odpowiada jedynie za manewr *Otwarcia*. Prawidłowe rozmieszczenie par fotokomórek pokazano na **rys. 54**.

Aby Centrala rozpoznawała pojedynczą parę fotokomórek oraz przypisaną im funkcję, należy wykonać adresowanie fotokomórek poprzez włożenie jednego lub dwóch mostków elektrycznych (**Tabela 3**) lub bez mostka elektrycznego (**Tabela 3**). Dzięki temu, kiedy Centrala otrzyma sygnał pochodzący od fotokomórek, wyda silnikowi polecenie wykonania odpowiedniego manewru.

Musisz przeprowadzić operację adresowania zarówno w fotokomórcie TX jak i w fotokomórcie RX w następujący sposób:

Fotokomórki "A-B-C-D-E-F"

Pamiętaj o następujących ostrzeżeniach:

- **mostki elektryczne muszą być ustawione na obu fotokomórkach przy użyciu tej samej konfiguracji;**
- **konfiguracja użyta na jednej parze fotokomórek NIE może być ponownie wykorzystana na innej parze.**

W celu zaprogramowania par fotokomórek (o ile znajdują się one w danej instalacji) postępuj w następujący sposób:

- 01.** Otwórz pokrywę fotokomórki.
- 02.** Znajdź na **rys. 54** pozycję montażu fotokomórek, które chcesz zaprogramować.
- 03.** Wybierz w **Tabeli 3** żadaną konfigurację i załóż mostki elektryczne w obu fotokomórkach.

Fotokomórki "G"

Pamiętaj o następujących ostrzeżeniach:

- Fotokomórki te pełnią odmienną rolę (sterują automatyką), w związku z tym należy umieścić je w pewnej odległości od pozostałych by uniknąć ewentualnych zakłóceń.
- Fotokomórki te są zasilane nawet wówczas, gdy automatyka nie jest aktywna. Jeśli instalacja posiada akumulator buforowy, fotokomórki te obniżą jego normalną długość życia, wykorzystując jego zasilanie w przypadku braku energii elektrycznej (patrz KROK 6.6).

W celu programowania tych fotokomórek (o ile są one przewidziane w instalacji), nie trzeba zakładać żadnego mostka elektrycznego (patrz **Tabela 3**).

54

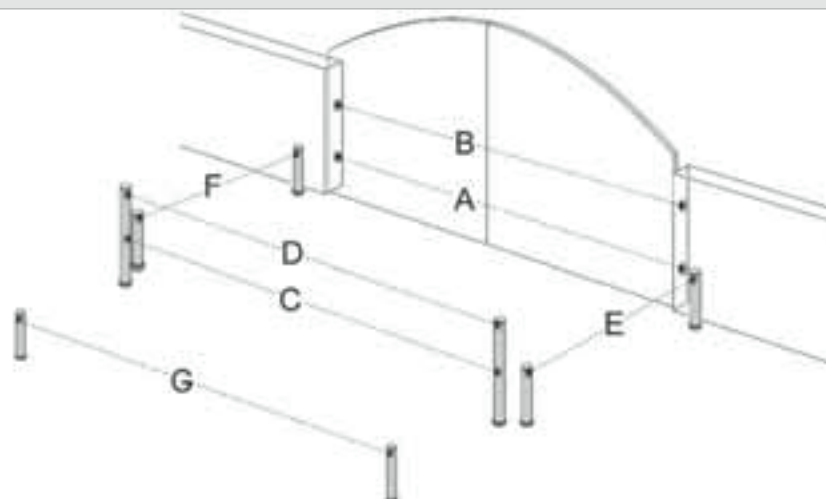


TABELA 3

Para Fotokomórek	Mostki elektryczne	Para Fotokomórek	Mostki elektryczne
A Fotokomórki h = 50 cm (działają gdy brama wykonuje manewr Zamknięcia)		E Fotokomórki po prawej (działają gdy brama wykonuje manewr Otwarcia)	
B Fotokomórki h = 100 cm (działają gdy brama wykonuje manewr Zamknięcia)		F Fotokomórki po lewej (działają gdy brama wykonuje manewr Otwarcia)	
C Fotokomórki h = 50 cm (działają gdy brama wykonuje manewr Otwarcia lub Zamknięcia)		G Fotokomórki sterują wyłączenie Otwarciem bramy	
D Fotokomórki h = 100 cm (działają gdy brama wykonuje manewr Otwarcia lub Zamknięcia)			

6.5 – MONTAŻ I PODŁĄCZENIE KLAWIATURY STERUJĄCEJ mod. MK

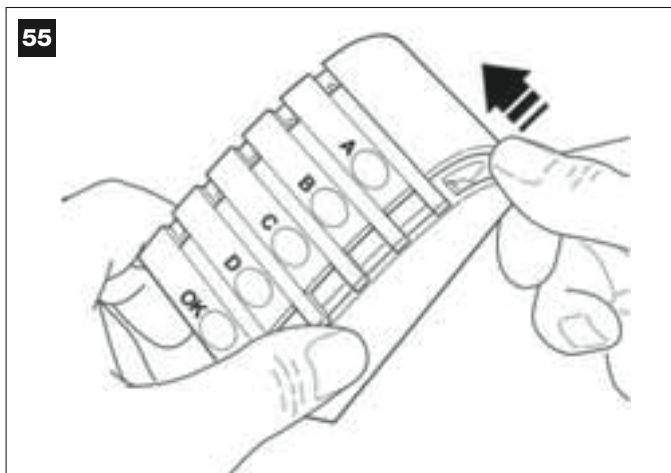
Klawiatura sterująca to urządzenie do montażu ściennego, które steruje automatyką przy użyciu systemu Bus. W jednej instalacji można podłączyć do 4 klawiatur sterujących. Mogą być one zaprogramowane w dwóch trybach: **tryb normalny** (każdy przycisk wykonuje konkretną przypisaną mu funkcję – *tryb ustawiony fabrycznie*) oraz **tryb bezpieczeństwa** (by sterować manewrem należy wybrać specjalny kod ustalony przez użytkownika).

Klawiatura sterująca jest podświetlana od tyłu by ułatwić korzystanie z niej w przypadku braku światła.

By zamontować i podłączyć klawiaturę wykonaj następujące czynności:

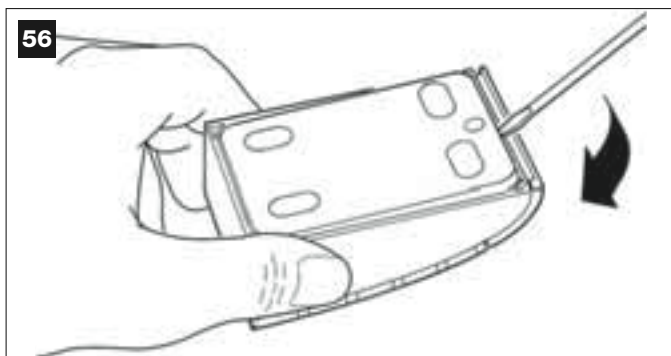
01. Rys. 55:

Zdejmij osłonę klawiatury naciskając z boku, jak pokazano na rysunku.



02. Rys. 56:

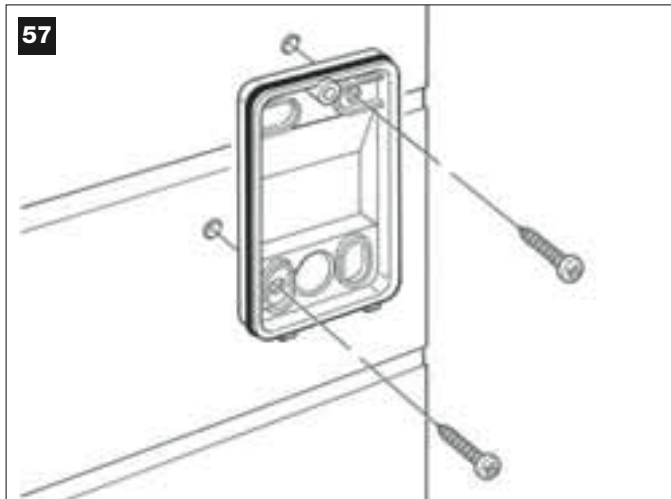
Przy użyciu śrubokręta, otwórz i zdejmij spód klawiatury.



03. Rys. 57:

a) Przy użyciu wiertarki zrób otwór w tylnej ściance, w miejscu, przez którą będzie przeprowadzony przewód.

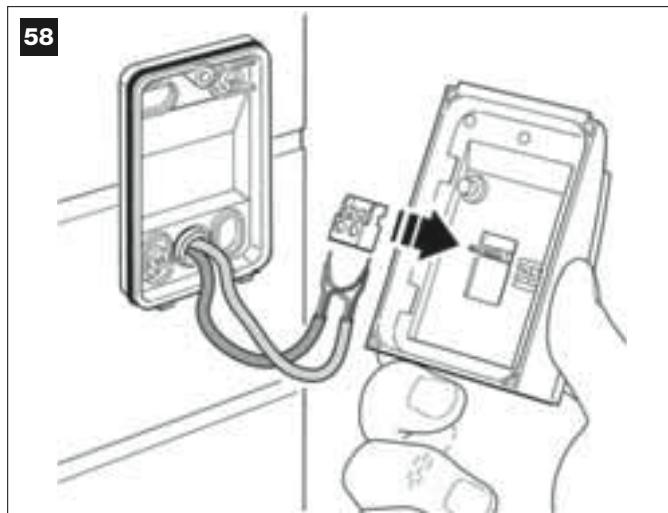
b) Zamocuj tylną ściankę klawiatury do ściany przy użyciu specjalnych śrub, przekładając przewód przez przygotowany uprzednio otwór.



04. Rys. 58:

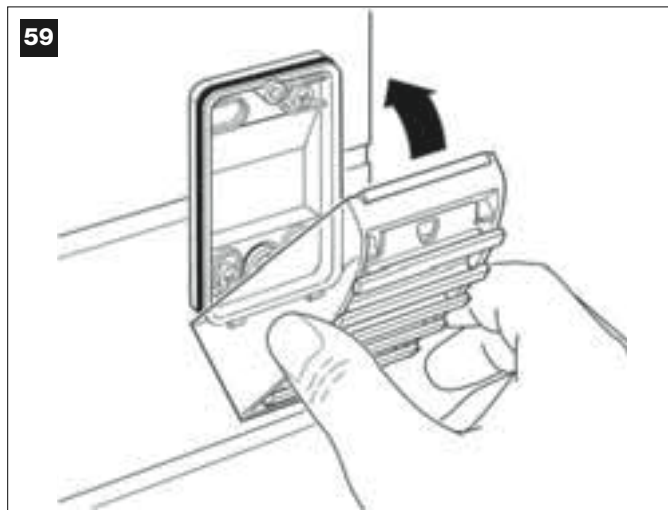
a) Podłącz żyły przewodu do odpowiednich zacisków.

b) Włóż złączkę przewodu w złączkę wtykową, która znajduje się na tylnej części klawiatury.



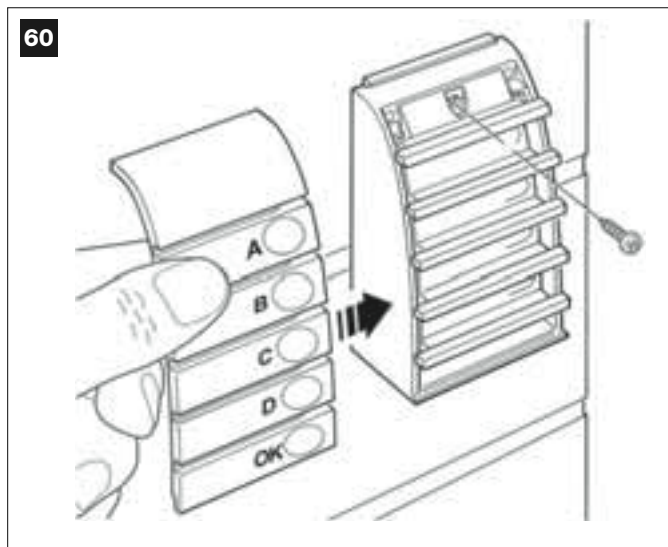
05. Rys. 59:

Założ z powrotem osłonę tak, aby zaażębiła się ona o tylną ściankę klawiatury.



06. Rys. 60:

Przymocuj osłonę klawiatury sterującej do tylnej ścianki przy użyciu śruby, znajdującej się na wyposażeniu. Na zakończenie załóż z powrotem zewnętrzną pokrywę, tak jak wskazano na obrazku.



6.6 – MONTAŻ AKUMULATORA BUFOROWEGO mod. MBB

Akumulator buforowy o napięciu 12V i pojemności 2100mAh posiada funkcję automatycznego ładowania. Jest on szczególnie przydatny w przypadku nagłego zaniku energii elektrycznej (*black-out*). Siłownik z Centralą pozwala na montaż 1 akumulatora.

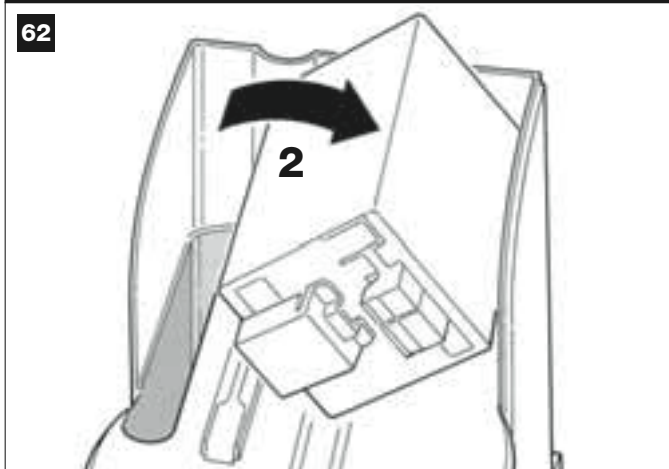
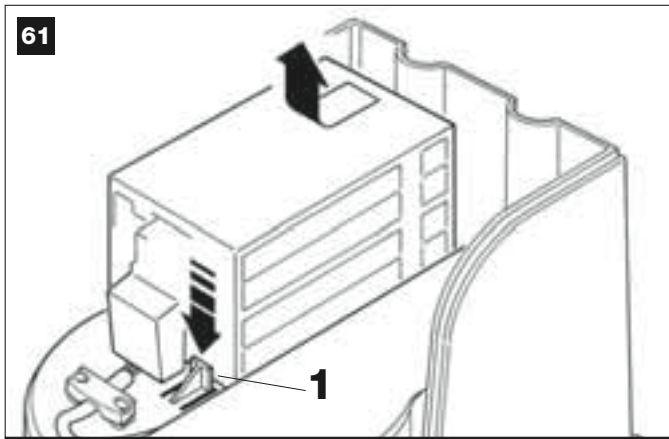
W zależności od typu i masy bramy, naładowany akumulator jest w stanie zagwarantować autonomię pracy na około 6 – 7 następujących po sobie cykli (1 cykl = *Otwarcie - Zamknięcie*).

Miejsce przeznaczone do montażu akumulatora buforowego znajduje się pod Centralą, w związku z tym, by go zainstalować, należy wykonać następujące czynności:

01. Przy użyciu śrubokręta gwiazdkowego, odkręć śruby opaski przytrzymującej przewód zasilania, by ułatwić wyjęcie Centrali z obsady.

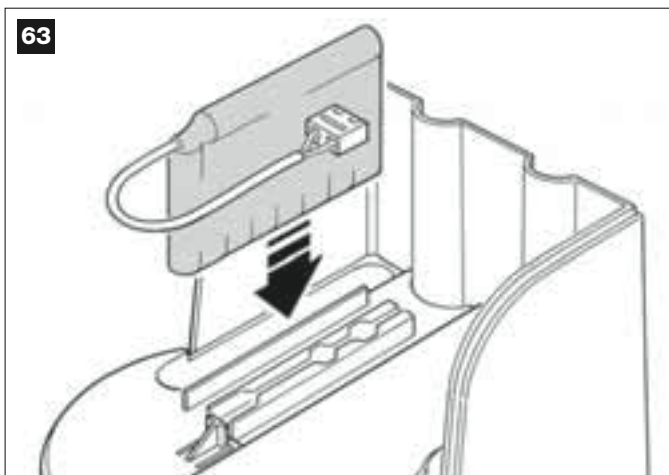
02. Rys. 61-62:

Wciśnij jednym palcem klapkę (1), która blokuje Centralę, a drugą ręką, wyjmij Centralę z obsady wypychając ją do przodu i jednocześnie do góry (2) tak, by wyszła z szyny, w której jest obsadzona.



03. Rys. 63:

Włóż akumulator w specjalnie przygotowane miejsce pod Centralą.



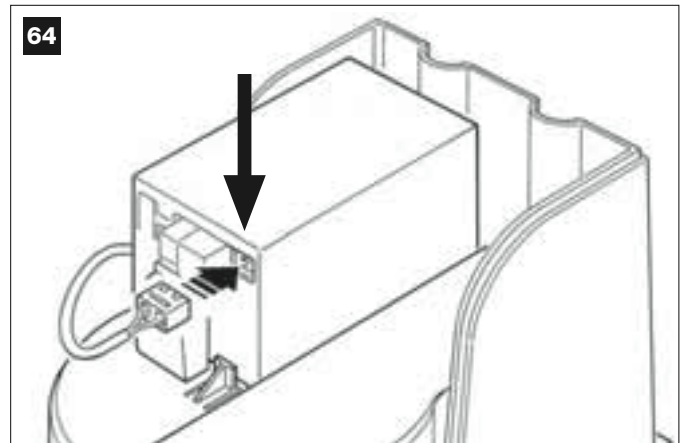
04. Włóż na miejsce Centralę postępując w następujący sposób:

- ustaw Centralę nad szyną prowadzącą
- naciskając do dołu, pociągnij ją jednocześnie do tyłu, aż usłyszysz kliknięcie.

UWAGA! – W związku z faktem, że akumulator buforowy stanowi awaryjne zasilanie elektryczne, następny punkt (05 – elektryczne podłączenie akumulatora buforowego do Centrali) może być wykonany dopiero po zakończeniu wszystkich etapów montażu i programowania.

05. Rys. 64:

Teraz, włóż złączkę akumulatora w gniazdo, które znajduje się w Centrali.



OSTRZEŻENIA

W celu zapewnienia długiego życia akumulatora buforowego należy pamiętać o następujących ostrzeżeniach:

- Akumulator buforowy jest urządzeniem przeznaczonym do wykorzystania w nagłych sytuacjach: w związku z tym powinien być używany wyłącznie, gdy to konieczne i w sposób zrównoważony. Jego nadmierne i stałe wykorzystywanie może spowodować przegrzanie elementów, które z biegiem czasu mogą nie gwarantować normalnej długości życia akumulatora.

- Unikaj pozostawiania automatyki zasilanej wyłącznie przez akumulator na okresy dłuższe niż 1 dzień - mógłby rozładować się on nadmiernie, co wpłynie na jego trwałość.

W związku z tym, jeśli przewiduje się wyjazd na dłużej z miejsca, gdzie jest zamontowana instalacja, zaleca się odłączyć akumulator od Centrali.

- Gdy akumulator buforowy rozładuje się całkowicie, potrzeba 24 godzin by naładować w pełni.

- W przypadku długich okresów nie korzystania z automatyki, w celu uniknięcia ryzyka wycieku substancji szkodliwych, lepiej jest wyjąć akumulator i przechowywać go w suchym miejscu

Utylizacja akumulatora

Uwaga! – Rozładowany akumulator zawiera szkodliwe substancje i w związku z tym nie może być wrzucony do odpadów komunalnych. Trzeba zutylizować go korzystając z metody segregacji odpadów, przewidzianej przez lokalne normy.

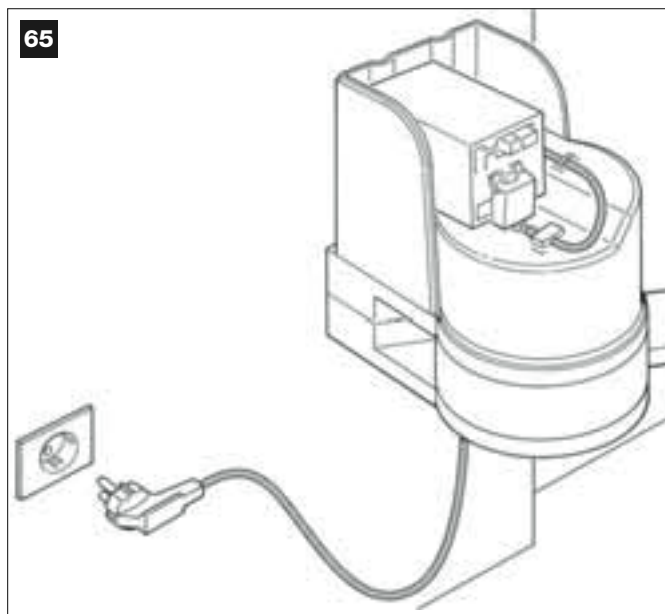
KROK 7

OSTRZEŻENIA!

– Znajdujący się na wyposażeniu przewód zasilania wykonany z PVC powoduje, że produkt ten nadaje się do montażu w pomieszczeniach. W przypadku montażu zewnętrznego należy zaizolować cały przewód i zabezpieczyć go ochronną rurką lub zastąpić go innym przewodem, na przykład typu H07RN-F.

– Ostateczne podłączenie automatyki do sieci elektrycznej lub zamiana przewodu dostarczonego na wyposażeniu mogą być wykonane wyłącznie przez wykwalifikowanego i doświadczonego elektryka, w poszanowaniu lokalnych norm bezpieczeństwa oraz zaleceń zawartych w części "Czynności zastrzeżone dla wykwalifikowanego technika".

W celu wykonania prób działania i zaprogramowania automatyki, należy podłączyć Centralę do zasilania włączając wtyczkę przewodu zasilającego dostarczonego na wyposażeniu do gniazdka (rys. 65). Jeśli gniazdko znajduje się z dala od automatyki, na tym etapie można korzystać z przedłużacza.



PIERWSZE WŁĄCZENIE I SPRAWDZENIE PODŁĄCZEŃ ELEKTRYCZNYCH

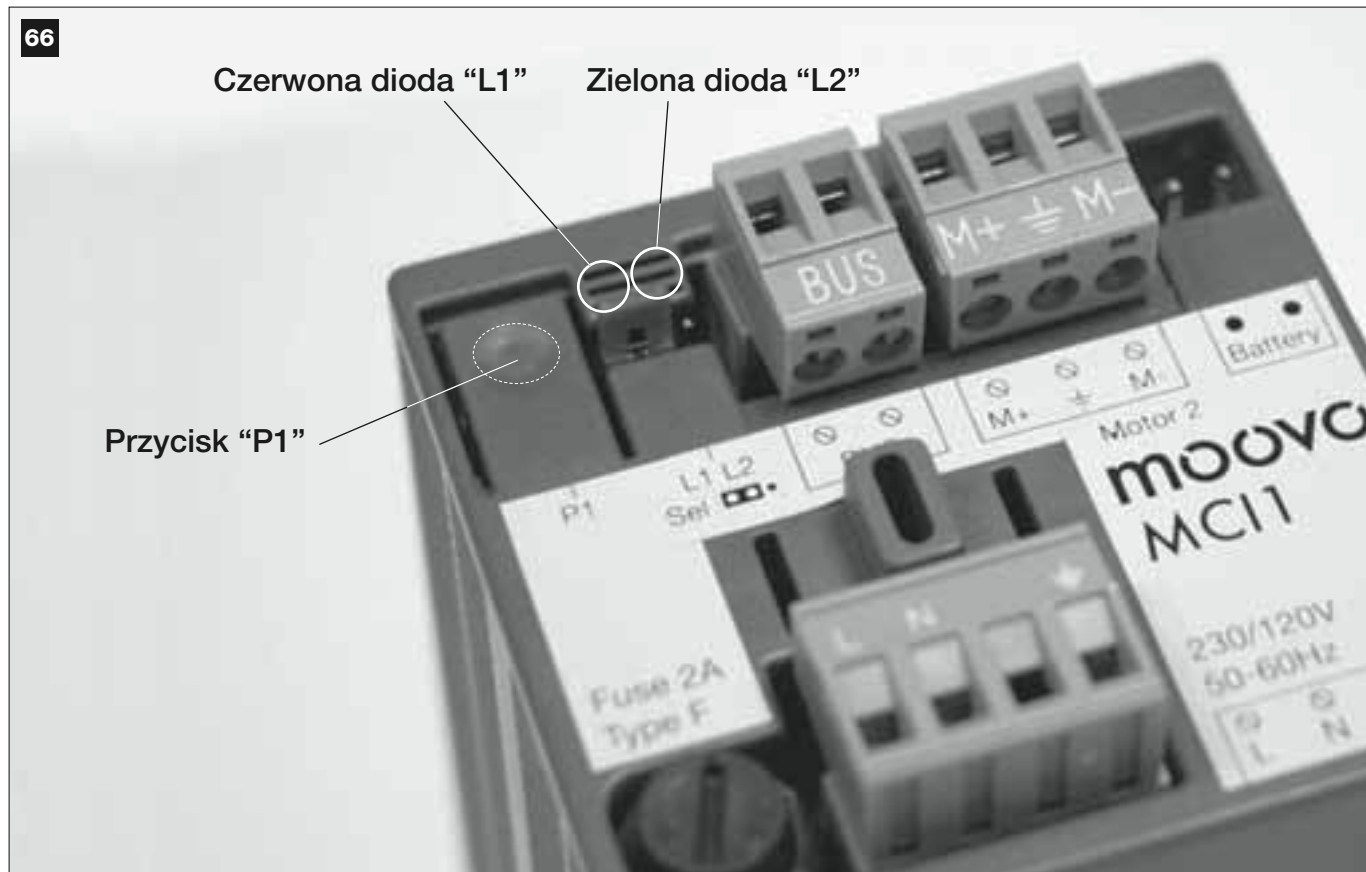
KROK 8

UWAGA! – Wszystkie czynności opisane poniżej w instrukcji będą wykonywane na obwodach elektrycznych pod napięciem, a manewry mogą być niebezpieczne! Zachowaj ostrożność podczas pracy.

Po podłączeniu Centrali do zasilania elektrycznego (rys. 65), dioda czerwona i dioda zielona (rys. 66) migną kilkakrotnie.

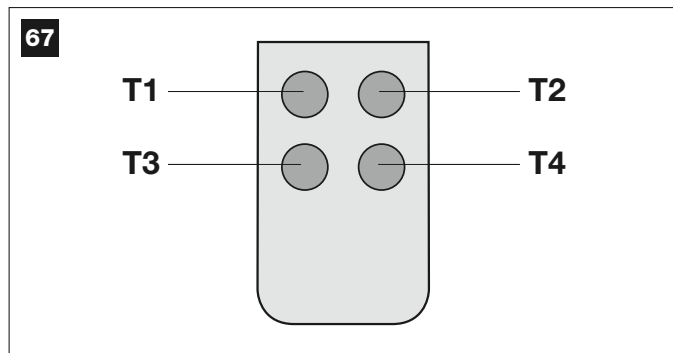
Po zakończeniu tego etapu, dioda czerwona zacznie migać regularnie, informując w ten sposób o prawidłowym działaniu Centrali.

Uwaga! – Jeśli czerwona dioda nie miga tak jak opisano zaleca się odłączyć Centralę od zasilania elektrycznego i sprawdzić uważnie wykonane podłączenia (więcej informacji w punkcie "Co robić gdy...").



OSTRZEŻENIA przy programowaniu:

- Zaleca się **najpierw przeczytać** opis procedur a dopiero **potem przystąpić do pracy**, wykonując w sposób ciągły poszczególne etapy każdej procedury.
- W niniejszej instrukcji przyciski nadajnika zostały oznaczone przy użyciu numerów. Na rys. 67. przedstawiono zestawienie pomiędzy numerami a poszczególnymi przyciskami nadajnika.



KROK 9

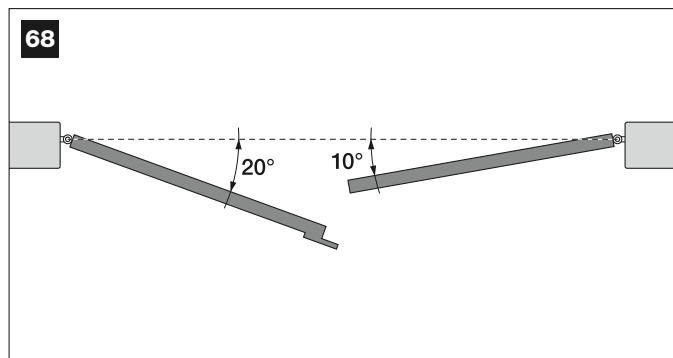
9.1 – WCZYTYWANIE URZĄDZEŃ PODŁĄCZONYCH PRZY UŻYCIU PRZEWODU “BUS” ORAZ POZYCJI KRAŃCOWYCH “0” I “1” SKRZYDEŁ BRAMY

Zaprogramuj Centralę sterującą, wykonując po kolei następujące czynności:

Pamiętaj – W trakcie wykonywania procedury można z niej w każdej chwili zrezygnować (nie zapamiętując wykonanych czynności) wciskając 1 raz przycisk “P1” na Centrali (rys. 66). Poczynając od punktu 07, można wyjść z procedury również wtedy, gdy zadziała jedno z urządzeń bezpieczeństwa (fotokomórki lub inne).

01. (na Bramie)

Wysprzęglj oba siłowniki przy użyciu specjalnego klucza (patrz rozdział “Ręczne wysprzęglanie i zasprzęglanie siłownika” w części “DOKUMENTACJA TECHNICZNA”) i ręcznie ustaw oba skrzydła bramy w pozycji wskazanej na rys. 68. Następnie zasprzęglj siłowniki ponownie.



02. (na Centrali)

Wciśnij i przytrzymaj, przez co najmniej 5 sekund przycisk “P1”, aż do momentu, gdy wyłączy się zielona dioda a włączy się dioda czerwona (będzie paliła się aż do zakończenia procedury). Następnie zwolnij przycisk i wykonaj następujące czynności:

03. (na Fotokomórkach bezpieczeństwa)

Pamiętaj – Czas na wykonanie tej kontroli jest nieograniczony. O prawidłowym działaniu fotokomórek informuje migająca powoli dioda. Jeśli pali się ona światłem ciągłym lub jest zgaszona, oznacza to, że trzeba poprawić osiowanie fotokomórek, starając się uzyskać jak najwolniejsze miganie (im wolniej miga dioda, tym lepsze jest osiowanie fotokomórek).

- dioda migająca w długich odstępach = poprawne osiowanie fotokomórek;

- dioda paląca się światłem ciągłym = nieprawidłowe osiowanie (sprawdź ustawienie fotokomórek w linii);
- dioda zgaszona = nieprawidłowy montaż fotokomórek (sprawdź podłączenie “Bus” fotokomórek).

04. (na Fotokomórkach sterujących)

Wykonaj aktywację fotokomórek (o ile występują w danej instalacji), przerywając jednej raz ich promień. Potwierdzeniem wykonanego wczytania będzie 1 mignięcie lampy ostrzegawczej oraz 1 sygnał bip klawiatury sterującej, o ile urządzenia te są przewidziane w instalacji.

05. (na Klawiaturach sterujących)

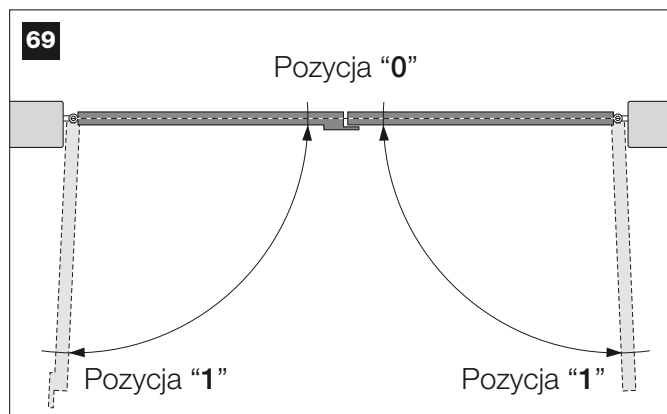
Wykonaj aktywację klawiatur sterujących (o ile występują w danej instalacji) wciskając na każdej z nich 1 raz, jeden dowolny przycisk. Potwierdzeniem wykonanego wczytania będą 2 szybkie sygnały (bip) klawiatur sterujących lub jedno mignięcie lampy ostrzegawczej, o ile jest ona przewidziana w instalacji.

06. (na Centrali)

Wciśnij i przytrzymaj, przez co najmniej 5 sekund przycisk “P1”, aż zgaśnie zielona dioda. Następnie zwolnij przycisk.

07. (na Bramie)

Pamiętaj – poniższe manewry pozwalają Centrali na automatyczne wczytanie pozycji “0” (Całkowite zamknięcie) i pozycji “1” (Całkowite otwarcie), jak pokazano na rys. 69.



Centrala uruchamia samodzielnie 3 manewry, o których informuje również lampa ostrzegawcza:

- 1 - Zamknięcie Skrzydła 2 a następnie zamknięcie Skrzydła 1.
- 2 - Otwarcie obu skrzydeł.
- 3 - Zamknięcie obu skrzydeł.

Po zakończeniu ostatniego manewru czerwona dioda gaśnie (= procedura zakończona), a następnie zaczyna ponownie migać z regularną częstotliwością.

Uwaga! – Jak tylko rozpocznie się pierwszy manewr sprawdź natychmiast czy:

- a - Skrzydło 2 rusza przed Skrzydłem 1;
- b - Skrzydło 2 rusza wykonując manewr Zamknięcia.

Jeśli wynik tych kontroli nie odpowiada powyższym zaleceniom, natychmiast zatrzymaj procedurę wciskając 1 raz przycisk “P1” na Centrali. Następnie rozwiąż problem “a” i “b” korzystając z zaleceń opisanych w KROKU 6.1. Na zakończenie ponownie przeprowadź procedurę opisana w podpunkcie 9.1.

Wczytywanie w przyszłości innych urządzeń podłączonych przy użyciu systemu “Bus”

Jeśli w przyszłości zajdzie potrzeba montażu i wczytania innych urządzeń podłączonych do Centrali przy użyciu systemu Bus, a procedura 9.1 została już wykonana w przeszłości, zawsze będzie istniała możliwość wczytania nowych urządzeń przy użyciu tej samej procedury, wykonując czynności opisane w punktach od 01 do 06. By zakończyć wczytywanie, wciśnij 1 raz przycisk “P1” na Centrali.

9.2 – WCZYTYWANIE NADAJNIKA mod. MT4

Uwaga! – Zaleca się najpierw przeczytać opis procedury a dopiero potem przystąpić do pracy, wykonując w sposób ciągły poszczególne etapy procedury, tak by pomiędzy zwolnieniem jednego przycisku, a wciśnięciem drugiego nie minęło więcej niż 10 sekund.

By sterować automatyką przy użyciu nadajnika należy wczytać jego przyciski do pamięci Centrali.

Wczytywanie pozwala na przypisanie przyciskom poszczególnych poleceń. Do wyboru są następujące polecenia:

1 = Krok po kroku: odpowiada sekwencji ... *Otwiera - Stop - Zamyka - Stop ...* Pierwsze polecenie aktywuje manewr *Otwarcia*; następne - gdy skrzydło jest w ruchu - powoduje *Stop*; trzecie aktywuje manewr *Zamknięcia*; czwarte - gdy skrzydło jest w ruchu - powoduje *Stop* i tak dalej...

2 = Krok po kroku 2: odpowiada sekwencji ... *Otwiera - Stop - Zamyka - Otwiera ...* Pierwsze polecenie aktywuje manewr *Otwarcia*; drugie - gdy skrzydło jest w ruchu - powoduje *Stop*; trzecie aktywuje manewr *Zamknięcia*; czwarte - gdy skrzydło jest w ruchu - aktywuje manewr *Otwarcia* i tak dalej...

3 = Częściowe otwarcie: odpowiada całkowitemu otwarciu jednego skrzydła. Polecenie to działa tylko jeśli **Skrzydło 2**, czyli to które znajduje się pod spodem, jest całkowicie zamknięte.

4 = Zespół Mieszkalny: polecenie to jest przewidziane dla sytuacji o wysokim natężeniu ruchu i pozwala na sterowanie w następujący sposób:

- jeśli polecenie zostaje wydane podczas trwania manewru *Otwarcia*, manewr ten jest kontynuowany;
- jeśli polecenie zostaje wydane podczas trwania manewru *Zamknięcia*, manewr zostaje przerwany i rozpoczyna się manewr *Otwarcia*;
- jeśli polecenie zostaje wydane gdy brama jest w bezruchu i jest całkowicie otwarta, rozpoczyna się manewr *Zamknięcia*. **Pamiętaj** – *Możliwe jest także automatyczne zamknięcie bramy po zaprogramowaniu żadanego czasu pauzy*, (patrz rozdział 10).

Pojedyncze wykonanie procedury pozwala na wczytanie **jednego przycisku** nadajnika. Może być on wczytany zarówno do niniejszej Centrali jak i do Centrali innych instalacji automatyki. Do pamięci Centrali można wczytać do 150 przycisków.

Dla każdego przycisku, który chcesz wczytać powtórz następującą procedurę.

- 01.** Wybierz **przycisk** nadajnika, który chcesz wczytać (przykład: *przycisk T3*).
- 02.** Wybierz **polecenie**, spośród wymienionych wcześniej, które chcesz przypisać do wybranego przycisku (przykład: *polecenie "2"*).
- 03.** Wciśnij przycisk "**P1**" (na Centrali) **ilość razy odpowiadającą numerowi wybranego polecenia** (na naszym przykładzie "**2**" razy) i sprawdź czy zielona dioda mignie krótko tyle samo razy (mignięcia z regularną częstotliwością).
- 04.** (w przeciągu 10 sekund) Wciśnij i przytrzymaj na nadajniku przez co najmniej 2 sekundy przycisk, który chcesz wczytać (na naszym przykładzie jest to przycisk T3).

Jeśli wczytanie powiodło się zielona dioda mignie długo 3 razy (= wczytanie ok). **Pamiętaj** – *Przed upływem 10 sekund możesz wczytać przycisk NOWEGO nadajnika z tym samym poleceniem (jest to przydatne, kiedy na przykład trzeba wczytać większą ilość nadajników do tej samej Centrali).*

W przeciwnym razie, odczekaj, aż zielona dioda zgaśnie (= procedura zakończona) a czerwona dioda ponownie zacznie migać w regularnych odstępach.

9.3 – PROGRAMOWANIE KLAWIATURY STERUJĄCEJ mod. MK

Klawiaturę sterującą można zaprogramować w jednym z dwóch trybów pracy:

- **tryb NORMALNY** (bez użycia specjalnego hasła)
- **tryb BEZPIECZYSTWA** (z użyciem specjalnego hasła)

Po wczytaniu klawiatury (patrz podpunkt 9.1) jest ona ustawiona w "trybie Normalnym" (*ustawienie fabryczne*). W celu zmiany trybu pracy wykonaj następujące czynności.

Tryb "Normalny"

W tym trybie przyciski są niezależne i każdy steruje konkretną czynnością. Dostępne polecenia to:

- przycisk "**A**" = polecenie **Krok po kroku**
- przycisk "**B**" = polecenie **Otwarcie częściowe**
- przycisk "**C**" = polecenie **Otwiera**
- przycisk "**D**" = polecenie **Zamyka**
- przycisk "**OK**" = polecenie **Stop**

Tryb "Bezpieczeństwa"

W tym trybie klawiatura sterująca działa po wpisaniu hasła wybranego

przez użytkownika (od 1 do 10 liter), i wciśnięciu przycisku "**OK**". Ta kombinacja przycisków wysyła tylko jedno konkretne polecenie, które użytkownik wcześniej ustawił podczas programowania tego trybu.

Pamiętaj – *W przypadku zaprogramowania polecenia Krok po kroku, po wysłaniu polecenia masz do dyspozycji 10 sekund by wysłać ewentualne kolejne polecenie, poprzez wciśnięcie po prostu przycisku "OK". W ten sposób unikasz konieczności wybierania na nowo hasła.*

PROGRAMOWANIE TRYBU "BEZPIECZEŃSTWA"

01. Przytrzymaj wciśnięte przyciski "**A**" i "**B**" przez kilka sekund, aż do chwili, gdy klawiatura sterująca wyda sekwencję sygnałów (*bip*), oznaczających uruchomienie programowania.

02. Używając przycisków klawiatury sterującej wprowadź "*kod PUK*" (kod 10 literowy dostarczony z klawiaturą), po czym wciśnij przycisk "**OK**".

Jeśli kod jest prawidłowy klawiatura wyda szereg sygnałów (*bip*); jeśli kod jest błędny usłyszysz jeden ciągły sygnał.

03. Używając przycisków klawiatury sterującej wpisz *indywidualne hasło* (od 1 do 10 liter) i wciśnij przycisk "**OK**".

Klawiatura sterująca wyda szereg dźwięków (*bip*).

04. Na zakończenie wybierz z poniższej listy polecenie, które chcesz zaprogramować i wciśnij na klawiaturze **przycisk przypisany do polecenia**, a następnie przycisk "**OK**":

Polecenie Krok po kroku	= przycisk A
Polecenie Częściowe otwarcie	= przycisk B
Polecenie Otwiera	= przycisk C
Polecenie Zamyka	= przycisk D
Polecenie Stop	= przycisk OK

Klawiatura sterująca wyda szereg sygnałów (*bip*), które oznaczają zakończenie procedury programowania.

Zmiana hasła indywidualnego

Jeśli chcesz zmienić hasło, przeprowadź od nowa procedurę trybu „Bezpiecznego”, zmieniając w punkcie 03 aktualne hasło.

PROGRAMOWANIE TRYBU "NORMALNEGO"

By zaprogramować ten tryb działania wykonaj procedurę "Programowanie trybu bezpiecznego", wciśkając w punkcie 03 i 04 wyłącznie przycisk "**OK**".

Centrala posiada kilka funkcji opcjonalnych, które pozwalają na dodanie do automatyki specyficznych funkcji, a co za tym idzie dostosowanie jej do indywidualnych potrzeb.

10 – REGULACJA PRACY AUTOMATYKI

W celu personalizacji pracy automatyki można aktywować lub dezaktywować niektóre funkcje i regulować ich wartość. Są to następujące funkcje:

- **ZAMKNIJ AUTOMATYCZNIE SKRZYDŁA.** Kiedy funkcja ta jest aktywna, po zakończeniu manewru *Otwarcia*, którego polecenie wydał użytkownik, po pewnym czasie Centrala automatycznie zamyka bramę.
- **PRĘDKOŚĆ RUCHU SKRZYDEŁ.** Funkcja ta pozwala na ustawienie żądanej prędkości, z którą automatyka będzie poruszała skrzydłami bramy.
- **CZUŁOŚĆ SKRZYDEŁ NA WYKRYCIE PRZESZKÓD.** Jeśli podczas wykonywanego manewru jakaś przypadkowa przeszkoda spowolni ruch skrzydeł bramy (podmuch wiatru, pojazd, człowiek, itd) funkcja ta wychwytuje od razu wzrost siły silnika potrzebnej do zrównoważenia oporu i wydaje polecenie natychmiastowego odwrócenia ruchu. Jeśli zostało ustawione „automatyczne zamknięcie skrzydeł”, Centrala ponawia próbę, a przy trzeciej próbie, po krótkim odwróceniu ruchu, zatrzymuje definitywnie manewr.
- **ZMNIEJSZENIE NAPRĘŻENIA SKRZYDEŁ.** Po zakończeniu manewru *Zamknięcia*, gdy skrzydła osiągnęły już pozycję krańcową „0”, siłownik „naciska” na nie jeszcze przez kilka chwil, aby zagwarantować idealne zamknięcie bramy. Następnie funkcja ta wydaje polecenie bardzo krótkiego odwrócenia ruchu, w celu zmniejszenia zbyt dużego nacisku wywieranego przez siłownik na skrzydła.

Wartości tych funkcji mogą być regulowane według potrzeb, przy wykorzystaniu poniższej procedury oraz nadajnika, który posiada co najmniej jeden przycisk wczytany uprzednio do Centrali.

Pamiętaj – Podczas wykonywania procedury, za każdym razem, gdy przyciskasz jeden przycisk lampa ostrzegawcza miga jeden raz.

01. Wciśnij i przytrzymaj **równocześnie**, przez co najmniej przez **5 sekund**, przyciski „T1” i „T2” na nadajniku a potem zwolnij je. Na Centrali migają obie diody (zielona i czerwona), które oznaczają rozpoczęcie procedury „programowania funkcji” (diody będą migać podczas całej procedury).
02. Wciśnij i przytrzymaj, przez co najmniej **1 sekundę** przycisk na nadajniku, który został uprzednio wczytany do tej Centrali (zielona dioda mignie 1 raz).
03. Następnie wybierz jedną z czterech dostępnych funkcji a potem wciśnij i przytrzymaj, przez co najmniej **1 sekundę** przycisk nadajnika, przypisany do wybranej funkcji (zielona dioda mignie 1 raz):
 - **Zamknij automatycznie skrzydła** = (wciśnij przycisk „T1”)
 - **Prędkość ruchu skrzydeł** = (wciśnij przycisk „T2”)
 - **Czułość skrzydeł na wykrycie przeszkód** = (wciśnij przycisk „T3”)
 - **Zmniejszenie naprężenia** = (wciśnij przycisk „T4”)
04. Na zakończenie wybierz z **Tabeli 4** żadaną wartość, zależną od wybranej funkcji, a potem wciśnij i przytrzymaj przez co najmniej **1 sekundę** przycisk nadajnika, przypisany do wybranej wartości (diody zielona i czerwona migną krótko 1 raz na potwierdzenie).

TABELA 4

ZAMKNIJ AUTOMATYCZNIE skrzydła

Brak zamknięcia → (wciśnij przycisk „T1”)

Zamknięcie po 15 sekundach → (wciśnij przycisk „T2”)

Zamknięcie po 30 sekundach → (wciśnij przycisk „T3”)

Zamknięcie po 60 sekundach → (wciśnij przycisk „T4”)

PRĘDKOŚĆ RUCHU skrzydeł

Niska → (wciśnij przycisk „T1”)

Średnio niska → (wciśnij przycisk „T2”)

Średnio wysoka → (wciśnij przycisk „T3”)

Wysoka → (wciśnij przycisk „T4”)

CZUŁOŚĆ skrzydeł NA WYKRYCIE PRZESZKÓD

Niska → (wciśnij przycisk „T1”)

Średnio niska → (wciśnij przycisk „T2”)

Średnio wysoka → (wciśnij przycisk „T3”)

Wysoka → (wciśnij przycisk „T4”)

ZMNIEJSZENIE NAPRĘŻENIA

Brak zmniejszenia naprężenia → (wciśnij przycisk „T1”) (*)

Minimalne → (wciśnij przycisk „T2”)

Średnie → (wciśnij przycisk „T3”)

Maksymalne → (wciśnij przycisk „T4”)

Uwagi do Tabeli 4:

– (*) Zaleca się NIGDY nie ustawiać tej wartości.

– Tabela zawiera wartości dostępne dla każdej z 4 funkcji specjalnych i przycisk, który trzeba wcisnąć na nadajniku by wybrać określoną wartość.

– Kolorem szarym zaznaczono wartości ustawione fabrycznie.

– W przypadku braku zasilania, pierwszy manewr wykonywany przez automatykę po ponownym włączeniu zasilania, wykonany zostanie w obniżonej prędkości, niezależnie od uprzednio ustalonej prędkości.

11 – WCZYTYWANIE NOWEGO NADAJNIKA PRZY UŻYCIU PROCEDURY ‘W POBLIŻU’ CENTRALI [przy użyciu innego nadajnika, uprzednio już wczytanego]

NOWY nadajnik można wczytać do pamięci Centrali nie używając bezpośrednio przycisku „P1” samej Centrali, ale działając „zdalnie” w zasięgu jej odbioru. Do wykonania procedury potrzebny jest STARY nadajnik, wczytany wcześniej i sprawny. Procedura pozwala na przekazanie NOWEMU nadajnikowi ustawień STAREGO nadajnika.

Ostrzeżenie – Musisz wykonywać procedurę w promieniu odbioru odbornika (maksymalnie 10-20 m od odbornika).

01. Na NOWYM nadajniku wciśnij i przytrzymaj, przez co najmniej **5 sekund** przycisk, który chcesz wczytać, a potem zwolnij go.
02. Na STARYM nadajniku, wciśnij wolno **3 razy** przycisk z poleceniem, które chcesz wczytać do drugiego nadajnika.
03. Na NOWYM nadajniku wciśnij **1 raz** ten sam przycisk, który wcisnąłeś uprzednio w punkcie 01.

Pamiętaj – Procedurę należy powtórzyć w odniesieniu do każdego przycisku, który chcesz wczytać.

12 – KASOWANIE DANYCH Z PAMIĘCI CENTRALI

Istnieje możliwość skasowania częściowego lub całościowego danych zapisanych w pamięci Centrali. Operację tę można przeprowadzić, zależnie od potrzeby, korzystając z jednej z następujących procedur:

- Kasowanie polecenia w uprzednio wczytanym Nadajniku
- Kasowanie innych danych wczytanych do Centrali

Kasowanie Polecenia w uprzednio wczytanym Nadajniku

Procedura ta pozwala wykasować z pamięci Centrali pojedyncze polecenie przypisane do jednego przycisku nadajnika.

Pamiętaj – W czasie procedury dioda czerwona i dioda zielona palą się stałym światłem.

01. Wciśnij i przytrzymaj przez ponad **10 sekund** przycisk "P1" na Centrali: najpierw zapali się dioda **zielona**, po 5 sekundach zapali się dioda **czerwona** a na koniec obie diody, informując tym samym, że Centrala rozpoczęła procedurę "kasowanie pamięci" (**UWAGA! – nie zwalniasz przycisku "P1"!**).
02. Nie zwalniasz przycisku "P1", wciśnij na nadajniku przycisk, który chcesz wykasować: jeśli Centrala rozpozna tę operację, dioda **zielona** mignie krótko, dopiero teraz możesz zwolnić przycisk "P1" oraz przycisk na nadajniku.

Kasowanie innych danych wczytanych do Centrali

Ta procedura pozwala skasować z pamięci Centrali różne rodzaje wczytanych danych, tak jak podano to w Tabeli 5.

Pamiętaj – W czasie procedury dioda czerwona i dioda zielona palą się stałym światłem.

01. Wciśnij i przytrzymaj, przez co najmniej **10 sekund** przycisk "P1" na Centrali: najpierw zapali się dioda **zielona**, po 5 sekundach zapali się dioda **czerwona** a na zakończenie obie, informując tym samym, że Centrala rozpoczęła procedurę "kasowania pamięci". Teraz możesz zwolnić przycisk.
02. Z Tabeli 5 wybierz typ danych, które chcesz skasować i wciśnij przycisk "P1" tyle razy ile zaznaczono w nawiasie (*przy każdym wciśnięciu przycisku "P1", dioda zielona miga*).
03. Po 5 sekundach od ostatniego wciśnięcia przycisku "P1", jeśli kasowanie powiodło się, obie diody (czerwona i zielona) zaczną szybko migać (= *pamięć skasowana!*).
Pamiętaj – Zanim kasowanie zostanie wykonane, masz 5 sekund na zmianę podjętej decyzji - w przeciągu tego czasu możesz wyjść z procedury nie kasując danych, musisz tylko wcisnąć 5 razy przycisk "P1".

WAŻNE! – Po skasowaniu "Pamięci pozycji 0 i 1" oraz "Pamięci CAŁKOWITEJ", trzeba powtórzyć procedurę 9.1 – "Wczytywanie urządzeń podłączonych przy użyciu przewodu Bus i połączeń końcowych 0 i 1 skrzydeł bramy".

TABELA 5

- Pamięć wartości Funkcji Opcjonalnych (= **1 wciśnięcie**)
- Pamięć pozycji "0" i "1" (= **2 wciśnięcia**)
- Pamięć kodów Nadajników (= **3 wciśnięcia**)
- Pamięć CAŁKOWITA (= **4 wciśnięcia**) *Pamiętaj* – za jednym razem kasuje pierwsze trzy pamięci



Czynności zastrzeżone dla wykwalifikowanego technika

UWAGA! – Wszystkie czynności opisane w tej części mogą być wykonane wyłącznie przez wykwalifikowany i doświadczony personel, w poszanowaniu zaleceń opisanych w instrukcji oraz lokalnych przepisów i norm bezpieczeństwa.

PODŁĄCZENIE AUTOMATYKI DO SIECI ELEKTRYCZNEJ PRZY UŻYCIU PRZEWODU INNEGO NIŻ PRZEWÓD ZNAJDUJĄCY SIĘ NA WYPOSAŻENIU

UWAGA! – Błędne podłączenie może spowodować uszkodzenia lub niebezpieczne sytuacje. W związku z tym należy ściśle przestrzegać podłączeń omówionych w niniejszym punkcie.

Jeśli odległość bramy od gniazda stałej linii elektrycznej przekracza długość załączonego przewodu zasilającego, można zastąpić go chronioną linią elektryczną, odpowiednią do istniejących warunków.

W tym celu, użyj przewodu zasilania o wymiarach 3 x 1,5 mm² i długości nieprzekraczającej 30 m. Jeśli odległość jest większa, użyj przewodu o większym przekroju: na przykład 3 x 2,5 mm², przewidując uzziemienie zabezpieczające w pobliżu automatyki. Następnie wykonaj następujące czynności:

Podłączenie nowego przewodu do Centrali:

01. Rys. A:

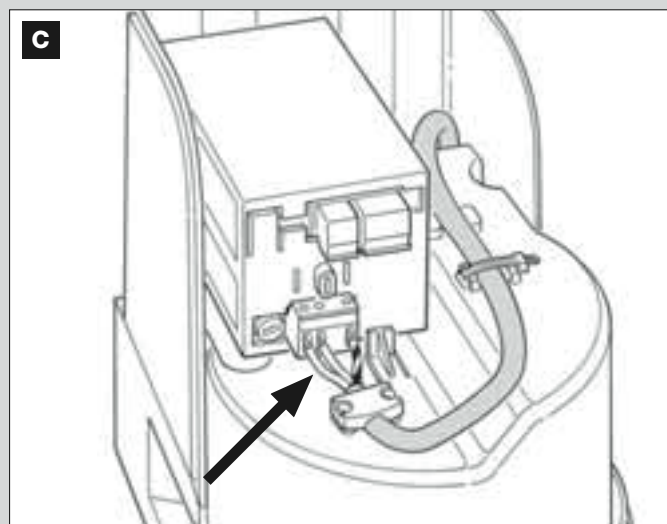
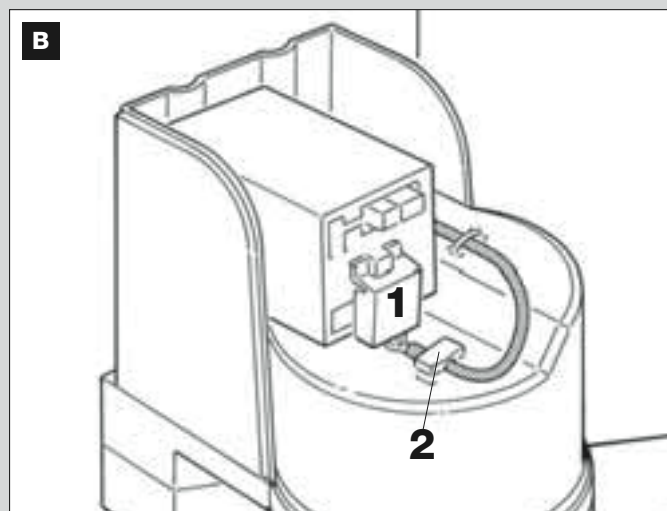
- Przy użyciu śrubokręta gwiazdkowego odkręć śrubę, znajdującą się w górnej części pokrywy.
- Przyłóż dwa palce do dwóch wgłębień, które znajdziesz na tylnej części siłownika i zdejmij pokrywę pociągając ją do góry, tak aby obróciła się na swojej podstawie.



02. Rys. B i C – Przy użyciu śrubokręta gwiazdkowego odkręć śruby pokrywy listwy zaciskowej (rys. B-1) oraz opaski (rys. B-2), przytrzymującej przewód zasilania, który chcesz wymienić i wyjmij go. Następnie włóż nowy przewód zasilania w otwór znajdujący się z przodu w dolnej części siłownika i podłącz żyły przewodu do listwy

zaciskowej, z zachowaniem wskazanych oznaczeń. **Pamiętaj** – w celu łatwiejszego podłączenia przewodów, należy wyjąć listwę zaciskową z obsady.

- **Brazowy** przewód służy do podłączenia "Fazy";
- **Niebieski** przewód służy do podłączenia "Zera";
- **Żółto-zielony** przewód służy do podłączenia "Uziemienia".



03. Na zakończenie nałóż pokrywę na listwę zaciskową i zamknij siłownik przy użyciu odpowiedniej pokrwy.

Podłączenie nowego przewodu do sieci elektrycznej:

Uwaga! – Przy wykonywaniu tego podłączenia należy zainstalować na linii zasilania (pomiędzy automatyką a siecią elektryczną), urządzenie chroniące przez zwarcie.

Ponadto na tej samej linii należy zainstalować także urządzenie odłączające zasilanie (z III kategorią przepięcia, tzn. odległość pomiędzy stykami musi wynosić minimum 3 mm) lub inny ekwiwalentny system (na przykład gniazdko z wtyczką).

W razie potrzeby to urządzenie gwarantuje szybkie i bezpieczne odcięcie zasilania. W związku z tym musi być umieszczone w zasięgu wzroku od automatyki. Jeśli natomiast nie jest ono widoczne, wówczas musi posiadać system, który blokuje ewentualne przypadkowe rozłączenie lub nieautoryzowane załączenie, tak by uniknąć niebezpiecznych sytuacji.

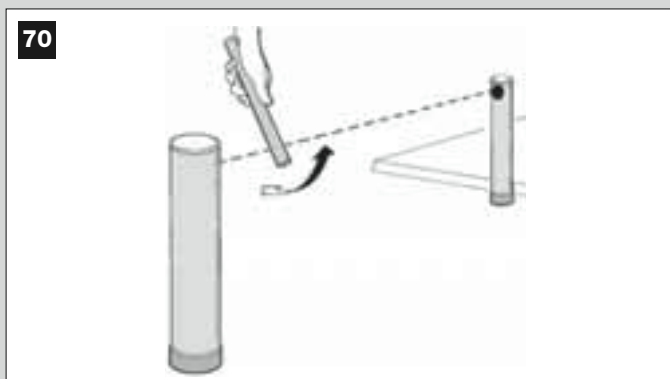
Pamiętaj – Urządzenie odłączające zasilanie nie jest dostarczane z produktem.

ODBIÓR TECHNICZNY I ODDANIE AUTOMATYKI DO EKSPLOATACJI

Są to najważniejsze etapy podczas realizacji automatyki, które mają zagwarantować jak największe bezpieczeństwo instalacji. Opisana procedura odbioru technicznego może być też wykorzystywana do okresowej kontroli urządzeń składających się na automatykę. Etapy odbioru technicznego i oddania automatyki do eksploatacji muszą być wykonane przez wykwalifikowany i doświadczony personel, który będzie musiał wziąć na siebie obowiązek określenia prób potrzebnych do kontroli rozwiązań, które zastosowano wobec istniejących zagrożeń, a także sprawdzić czy są przestrzegane prawa, norm i przepisy, a w szczególności czy zachowano wymogi normy EN 12445, która określa metody przeprowadzania prób w celu weryfikacji automatyki bram.

ODBIÓR TECHNICZNY AUTOMATYKI

- 1 Sprawdź czy zachowano ściśle zalecenia w materii bezpieczeństwa opisane w KROKU 1.
- 2 Korzystając z nadajnika, przeprowadź próby zamknięcia i otwarcia bramy, upewniając się czy rzeczywisty ruch skrzydła odpowiada przewidzianemu. Wykonaj wiele prób w celu oceny płynności ruchu bramy, sprawdzenia regulacji, wykrycia ewentualnych wad montażowych i ewentualnych punktów zwiększonego tarcia.
- 3 Sprawdź po kolei prawidłowe działanie wszystkich urządzeń bezpieczeństwa znajdujących się w instalacji (fotokomórki, zabezpieczające listwy krawędziowe, itd.). **Fotokomórki:** spraw by urządzenie zadziało podczas manewru *Otwarcia* lub *Zamknięcia* i sprawdź czy Centrala zatrzyma manewr i wykona całkowite odwrócenie ruchu (lampa ostrzegawcza mignie 2 razy, po czym powtórzy serię mignięć). **Zabezpieczające listwy krawędziowe:** spraw by urządzenie zadziało podczas manewru *Otwarcia* lub *Zamknięcia* i sprawdź czy Centrala zatrzyma manewr i wykona krótkie odwrócenie ruchu (lampa ostrzegawcza mignie 4 razy, po czym powtórzy serię mignięć).
- 4 Upewnij się czy nie występują zakłócenia pomiędzy fotokomórkami a innymi urządzeniami. W tym celu przetrnij cylindrycznym przedmiotem (średnica 5 cm, długość 30 cm) oś optyczną, łączącą parę fotokomórek (**rys. 70**) – przesuń przedmiot najpierw przy fotokomórce TX, następnie przy fotokomórce RX a potem po środku, między obiema fotokomórkami. Upewnij się czy urządzenie zadziało za każdym razem, przechodząc ze stanu czuwania w stan alarmu i na odwrót. Upewnij się też czy wywołuje ono w Centrali przewidzianą czynność (na przykład odwrócenie ruchu przy manewrze *Zamknięcia*).
- 5 Wykonaj pomiar siły uderzenia zgodnie z zaleceniami normy EN 12445 i ewentualnie - jeśli kontrola "siły silnika" jest wykorzystywana jako wsparcie systemu redukującego siłę uderzenia - znajdź ustawienie, które przyniesie lepsze wyniki.
- 6 Wydadź polecenie manewru *Zamknięcia* i sprawdź siłę uderzenia skrzydła o ogranicznik blokady mechanicznej. Jeśli to konieczne spróbuj zmniejszyć nacisk, ustawiając regulację, która przyniesie lepsze wyniki.



ODDANIE AUTOMATYKI DO EKSPLOATACJI

Oddanie do eksploatacji może nastąpić po pozytywnym zakończeniu wszystkich etapów odbioru technicznego. Nie zezwala się na oddanie do eksploatacji częściowe lub "tymczasowe".

- 1 Wykonaj dokumentację techniczną automatyki. Musi ona zawierać następujące dokumenty: rysunek całościowy (przykład na **rys. 8**), schemat wykonanych połączeń elektrycznych (przykład na **rys. 26**), analizę ryzyka i zastosowane rozwiązania (zobacz na stronie internetowej **www.moovo.com** formularze do wypełnienia), deklarację zgodności producenta dotyczącą wszystkich zastosowanych urządzeń oraz deklarację zgodności wypełnioną przez instalatora (patrz część "DOKUMENTACJA TECHNICZNA").
- 2 Przywieś na bramie tabliczkę znamionową, która musi zawierać między innymi następujące dane: rodzaj automatyki, nazwisko i adres producenta (odpowiedzialnego za "oddanie do eksploatacji"), numer seryjny, rok produkcji i znak "CE".
- 3 Wypełnij i przekaz właścicielowi automatyki deklarację zgodności. W tym celu należy wypełnić formularz "**Deklaracja zgodności CE**", który znajdziesz w części "DOKUMENTACJA TECHNICZNA".
- 4 Wypełnij i przekaz właścicielowi automatyki formularz "**Instrukcja użytkownika**", które znajdziesz w części "DOKUMENTACJA TECHNICZNA".
- 5 Wypełnij i przekaz właścicielowi automatyki formularz "**Plan konserwacji**", które znajdziesz w części "DOKUMENTACJA TECHNICZNA". Zawiera on zalecenia dotyczące konserwacji wszystkich urządzeń automatyki.
- 6 Przed oddaniem automatyki do eksploatacji przekaz właścicielowi automatyki informacje na temat wciąż istniejących zagrożeń i ryzyka.

OKRESOWE PRACE KONSERWACYJNE

Niniejszy produkt nie wymaga właściwie prowadzenia specjalnych prac konserwacyjnych, jednak regularna kontrola pozwala utrzymać skuteczne działanie instalacji i zagwarantować właściwą pracę zamontowanych systemów bezpieczeństwa.

Właściwy sposób prowadzenia prac konserwacyjnych opisano w rozdziale "**Plan Konserwacji**", który znajdziesz w części "DOKUMENTACJA TECHNICZNA" na końcu instrukcji.

UTYLIZACJA PRODUKTU

Produkt ten stanowi integralną część automatyki i w związku z tym musi być zutylizowany razem z nią.

Podobnie jak w przypadku montażu, również czynności związane z demontażem muszą być wykonane przez wykwalifikowany personel techniczny.

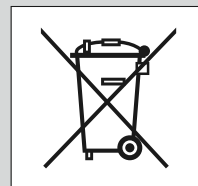
Produkt ten składa się z różnego rodzaju materiałów, niektóre z nich mogą być powtórnie użyte, inne muszą zostać poddane utylizacji. Zasięgnij informacji odnośnie systemów recyklingu i utylizacji, przewidzianych zgodnie z lokalnymi przepisami obowiązującymi dla tej kategorii produktu.

Uwaga! Niektóre elementy produktu mogą zawierać substancje szkodliwe lub niebezpieczne, które po wyrzuceniu, mogłyby zaszkodzić środowi-

sku lub zdrowiu ludzkiemu.

Zgodnie ze wskazaniem symbolu obok, zabrania się wyrzucania tego produktu do odpadów domowych. Należy przeprowadzić "segregację odpadów" na potrzeby utylizacji, według metod przewidzianych lokalnymi przepisami lub zwrócić produkt sprzedawcy podczas zakupu nowego, równorzędnego produktu.

Uwaga! Lokalne przepisy mogą przewidywać poważne sankcje w przypadku nielegalnej utylizacji produktu.



DANE TECHNICZNE POSZCZEGÓLNYCH CZĘŚCI PRODUKTU

OSTRZEŻENIA:

- Produkt XA4... został wyprodukowany przez firmę Nice S.p.a. (TV) Włochy. **Moovo** to marka firmy Nice S.p.a.
- Wszystkie zamieszczone dane techniczne dotyczą temperatury otoczenia 20°C (± 5°C).
- Nice S.p.a. zastrzega sobie prawo wprowadzania w każdej chwili zmian w produkcie, zachowując jednak jego funkcje i przeznaczenie zastosowania.

ANTRIEBE XA4...

Pamiętaj – Model XA432e posiada wbudowaną Centralę sterującą

OPIS	DANE			
	Mod. XA432		Mod. XA432e	
Zasilanie	12 Vdc		230 Vac - 50/60 Hz	
Maksymalna pobierana moc przy dwóch silnikach	250 W			
Siła maksymalna	150 N			
Siła nominalna	70 N			
Prędkość bez obciążenia	<i>wolny</i> 4,5° / sec	<i>szybki</i> 9° / sec	<i>wolny</i> 4,5° / sec	<i>szybki</i> 9° / sec
Prędkość nominalna	3° / sec	6° / sec	3° / sec	6° / sec
Cykle/h przy nominalnym momencie obrotowym (20°C)	8			
Maksymalna częstotliwość cykli pracy ciągłej	5			
Zakres temperatur pracy	- 20 / + 50° C			
Wymiary	253 x 155 h x 235 mm			
Masa	6.2 kg		6.3 kg	
Stopień ochrony	IP 44			
Szacunkowa trwałość (*)	od 50.000 do 100.000 cykliów manewrów			

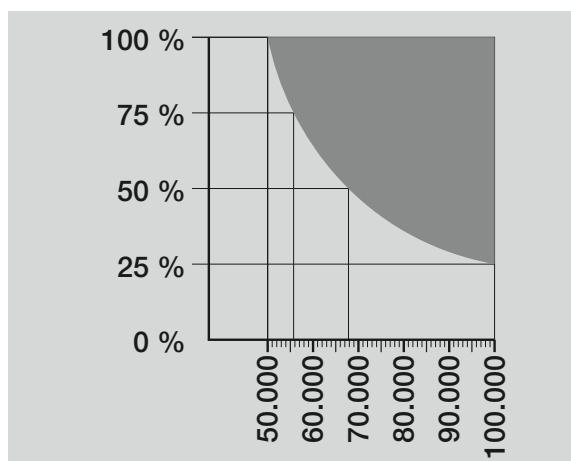
(*) **Pamiętaj** – Szacunkowa trwałość produktu zawiera się pomiędzy 50.000 a 100.000 cykliów manewrów. W celu określenia prawdopodobnej trwałości danej automatyki wykonaj następujące czynności:

a) – oceń warunki użytkowania i siły występujące w danej instalacji, jak na przykład...

- masa i długość skrzydła;
- idealne wyważenie skrzydła;
- stan konserwacji zawiasów skrzydła;
- rodzaj skrzydła: ślepe lub z dużą ilością otworów;
- występowanie silnych podmuchów wiatru;
- częstotliwość użytkowania automatyki.

b) – po zakończeniu tej oceny otrzymasz wartość procentową, która określi większy lub mniejszy stopień zużycia automatyki.

c) – znajdź na wykresie obok obliczony procent (w punkcie "b") i sprawdź odpowiadającą mu liczbę cykli manewrów.



LAMPA OSTRZEGAWCZA MF

OPIS	DANE
Typ	Migająca lampa ostrzegawcza do automatyzacji bram wjazdowych i garażowych
Zastosowane rozwiązanie	Sygnalizacja świetlna do automatyki - lampa sterowana za pośrednictwem Centrali Moovo z systemem "Bus"
Żarówka	12V 21W oprawa BA15 (typ samochodowy)
Zasilanie	Urządzenie musi być podłączone do zacisku "Bus" Centrali Moovo do automatyki
Zakres temperatur pracy	-20 ÷ 50°C
Stosowanie w otoczeniu kwaśnym, słonym lub zagrożonym wybuchem	Nie
Montaż	Pionowo na płaskiej powierzchni lub poziomo na ścianie
Stopień ochrony	IP 44
Wymiary	135 x 120h x 110 mm
Masa	340 g

NADAJNIK MT4

OPIS	DANE
Typ	Nadajniki radiowe do sterowania automatyką bram wjazdowych i garażowych
Zastosowane rozwiązanie	Modulacja kodowana AM OOK radio
Częstotliwość	433.92 MHz (\pm 100 kHz)
Kodowanie	Rolling code z kodem 64 Bitowym (18 trylionów kombinacji)
Przyciski	4, każdy przycisk może być wykorzystywany do różnych poleceń jednej Centrali lub różnych Centrali
Moc wyjściowa	1 dBm e.r.p.
Zasilanie	3V +20% -40% 1 bateria litowa typu CR2032
Długość życia baterii	3 lata, przy następujących założeniach: 10 poleceń/dziennie o długości 1s każde, w temperaturze 20°C (przy niskich temperaturach wydajność baterii spada)
Zakres temperatur pracy	-20°C ÷ 50°C
Stosowanie w otoczeniu kwaśnym, słonym lub zagrożonym wybuchem	Nie
Stopień ochrony	IP 40 (stosowanie w domu i chronionym otoczeniu)
Wymiary	40 x 70h x 8 mm
Masa	25 g
Zasięg	szacowany na 200 m na zewnątrz; 35 m w budynkach (*)

(*) Na zasięg Pilotów i pracę Odbiorników silnie wpływają inne urządzenia (np.: alarmy, słuchawki radiowe, itp.), działające w pobliżu na tej samej częstotliwości. W związku z tym w przypadku występowania zakłóceń, Nice nie może zagwarantować rzeczywistego zasięgu urządzeń".

FOTOKOMÓRKI MP

OPIS	DANE
Typ	Urządzenie wykrywające przeszkody, przeznaczone do automatyzacji bram wjazdowych i garażowych (typu D według normy EN 12453). Składa się z fotokomórki nadającej "TX" i fotokomórki odbierającej "RX".
Zastosowane rozwiązanie	Optyczne, poprzez bezpośrednie połączenie TX-RX przy użyciu podczerwonego promienia modulowanego
Zdolność wykrywania przeszkód	Obiekty nieprzezroczyste o wymiarach ponad 50 mm, poruszające się z szybkością mniejszą niż 1,6 m/s, które znajdują się na osi optycznej łączącej TX-RX
Kąt promieniowania TX	około 20°
Kąt odbioru RX	około 20°
Zasięg	Do 7 m, przy maksymalnej niewspółosiowości TX-RX \pm 4° (urządzenie może informować o przeszkodzie również w przypadku szczególnie ciężkich warunków meteorologicznych)
Zasilanie/ Wyjście	Urządzenie musi być podłączone do sieci "Bus" Moovo, z której pobiera zasilanie i przez którą wysyła sygnały
Pobierana moc	450mW podczas pracy; 40mW w stanie czuwania
Maksymalna długość przewodów	Do 20 m (przestrzegać zaleceń dotyczących minimalnego przekroju i rodzaju przewodów)
Możliwość adresowania	Do 6 fotokomórek zabezpieczających i do 4 fotokomórek sterujących.
Zakres temperatur pracy	-20 ÷ 50°C
Stosowanie w otoczeniu kwaśnym słonym lub zagrożonym wybuchem	Nie
Montaż	Pionowo na płaskiej powierzchni lub poziomo na ścianie
Stopień ochrony	IP 44
Wymiary	50 x 85h x 35 mm
Masa (dwie)	140 g

KLAWIATURA STERUJĄCA MK

OPIS	DANE
Typ	Klawiatura z 5 przyciskami, która pozwala na uruchamianie automatyki z wprowadzeniem hasła lub bez
Zastosowane rozwiązanie	Możliwość wprowadzenia hasła aktywującego do 10 cyfr (ponad 1 milion możliwych kombinacji)
Zasilanie / Wyjście	Urządzenie musi być podłączone do sieci "Bus" Moovo, z której pobiera zasilanie i przez którą wysyła sygnały wyjścia
Moc pobierana	120mW podczas pracy; 45mW w stanie czuwania
Zakres temperatur pracy	-20 ÷ 50°C
Stosowanie w otoczeniu kwaśnym słonym lub zagrożonym wybuchem	Nie
Montaż	Pionowo na ścianie
Stopień ochrony	IP 44
Wymiary	50 x 85h x 35 mm
Masa	80 g

CO ROBIĆ GDY... (rozwiązywanie problemów)

Podczas normalnego działania Centrala stale kontroluje procesy automatyki i jest w stanie poinformować o ewentualnych anomaliach, poprzez określone wcześniej serie mignięć, które wydaje lampa ostrzegawcza i czerwona dioda "L1", znajdująca się na Centrali (mignięcia diagnostyczne dotyczą zawsze ostatniej czynności wykonanej przez automatykę). Związek pomiędzy ilością mignięć, a przyczyną zaistniałego problemu został opisany w Tabeli 6:

TABELA 6

Mignięcia	Problem	Rozwiązanie
2 mignięcia - przerwa - 2 mignięcia	Podczas manewru <i>Otwarcia</i> lub <i>Zamknięcia</i> skrzydła blokują się lub następuje odwrócenie trwającego manewru.	Para fotokomórek obecnych w instalacji zadziałała, wykrywając przeszkodę. Należy usunąć przeszkodę znajdującą się na linii łączącej obie fotokomórki.
3 mignięcia - przerwa - 3 mignięcia	<ul style="list-style-type: none"> Podczas manewru <i>Otwarcia</i> lub <i>Zamknięcia</i> skrzydła nagle zatrzymują się a Centrala wykonuje całkowite odwrócenie trwającego manewru, osiągając pozycję krańcową. Podczas manewru <i>Otwarcia</i> lub <i>Zamknięcia</i> Centrala zatrzymuje nagle manewr i wykonuje <u>częściowe</u> odwrócenie wykonywanego manewru, nie osiągając pozycji krańcowej, następnie jeszcze dwukrotnie ponawia częściowe odwrócenie ruchu po czym definitywnie zatrzymuje bramę. 	Skrzydła napotkały na zwiększony opór w wyniku wystąpienia niespodziewanej przeszkody (podmuch wiatru, pojazd, człowiek, itd.). W razie konieczności regulacji ich czułości na występujące przeszkody, patrz Rozdział " Regulacje i inne Funkcje opcjonalne ".
4 mignięcia - przerwa - 4 mignięcia	Podczas manewru <i>Otwarcia</i> lub <i>Zamknięcia</i> skrzydła blokują się nagle a Centrala wykonuje "Stop", po którym następuje krótkie odwrócenie ruchu.	Ewentualne urządzenia zabezpieczające (inne niż fotokomórki, np. zabezpieczające listwy krańcowe) wykryły nagłą przeszkodę. Usuń przeszkodę
5 mignięć - przerwa - 5 mignięć	Automatyka nie odpowiada na wysłane polecenia.	Wystąpił błąd w konfiguracji systemu. Powtórz instalację.
6 mignięć - przerwa - 6 mignięć	Po szeregu poleceń wydanych jedno po drugim, automatyka blokuje się.	Przekroczono maksymalny limit dozwolony dla manewrów następujących jeden po drugim i w związku z tym doszło do przegrzania. Należy odczekać kilka minut by temperatura zeszała poniżej maksymalnego ustalonego limitu.
7 mignięć - przerwa - 7 mignięć	Automatyka nie odpowiada na wysłane polecenia.	Uszkodzenie w wewnętrznych obwodach elektrycznych. Odłącz wszystkie obwody zasilania, odczekaj kilka sekund i podłącz je na nowo. Wydadź nowe polecenie, ponowny brak reakcji automatyki oznacza poważne uszkodzenie płyty elektrycznej Centrali lub okablowania silnika. Przeprowadź kontrole i wymień części, jeśli zachodzi taka potrzeba.
8 mignięć - przerwa - 8 mignięć	Automatyka nie odpowiada na wysłane polecenia.	Wystąpiło uszkodzenie na obwodach elektrycznych "Bus". Sprawdź po kolei działanie podłączonych urządzeń. Mogło nastąpić zwarcie lub nieprawidłowe działanie

ALGEMENE AANBEVELINGEN EN VOORZORGSMAATREGELEN IN VERBAND MET DE VEILIGHEID

STAP 1	
– Veilig werken!	4
– Aanbevelingen voor het installeren	4

KENNIS VAN HET PRODUCT EN VOORBEREIDING VOOR DE INSTALLATIE

STAP 2	
2.1 - Beschrijving van het product en gebruiksdoel	5
2.2 - Componenten voor het aanleggen van een complete installatie	5

STAP 3	
Controles voor het installeren	6
3.1 - Controleren van de geschiktheid van de omgeving en de te automatiseren poort	6
3.2 - Controleren van de gebruikslimieten van het product	6

STAP 4	
4.1 - Voorbereidende werkzaamheden	7
– 4.1.1 - Karakteristieke referentie-installatie	7
– 4.1.2 - Vaststellen van de plaats van de verschillende componenten	7
– 4.1.3 - Vaststellen met welk schema de inrichtingen te verbinden	7
– 4.1.4 - Controleren van het voor het te verrichten werk benodigde gereedschap	8
– 4.1.5 - Uitvoeren van de voorbereidende werkzaamheden	8
4.2 - Voorbereiden van de elektriciteitskabels	8

INSTALLATIE: MONTAGE EN AANSLUITING VAN DE COMPONENTEN

STAP 5	
5.1 - Installeren van de componenten van de automatisering	10
5.2 - Afstellen van de mechanische eindschakelaar in open stand	12

STAP 6	
– Installeren en aansluiten van de in de installatie aanwezige inrichtingen op de installatie	13
6.1 - Instellen van de volgorde van opening van de poortvleugels	14
– Weghalen van de besturingseenheid	15
6.2 - Installeren en aansluiten van de reductiemotor zonder besturingseenheid	16
6.3 - Installeren en aansluiten van het knipperlicht mod. MF	17
6.4 - Installeren en aansluiten van de fotocellen mod. MP	19
– Selecteren van de manier van werken van het stel fotocellen	20
6.5 - Installeren en aansluiten van het toetsenpaneel mod. MK	21
6.6 - Installeren van de bufferbatterij mod. MB	22

AANSLUITING VAN DE STROOMVOORZIENING	
STAP 7	23

EERSTE INBEDRIJFSTELLING EN CONTROLE VAN DE ELEKTRISCHE AANSLUITINGEN	
STAP 8	23

PROGRAMMEREN VAN DE AUTOMATISERING	
STAP 9	
9.1 - Geheugenopslag van de inrichtingen die via een "Buskabel" zijn aangesloten en van de eindposities "0" en "1" van de vleugels	24
9.2 - Geheugenopslag van de zender mod. MT4	24
9.3 - Programmeren van het toetsenpaneel mod. MK	25

AFSTELLINGEN EN ANDERE OPTIONELE FUNCTIES	
10 - Afstellen van de werking van de automatisering	26
11 - Geheugenopslag van een nieuwe zender met de procedure 'in de nabijheid' van de besturingseenheid	26
12 - Wissen van gegevens uit het geheugen van de besturingseenheid	26

WERKZAAMHEDEN DIE AAN EEN BEVOEGDE TECHNICUS ZIJN VOORBEHOUDEN

– Aansluiting van de automatiseringseenheid op het elektriciteitsnet met een andere kabel dan die welke is meegeleverd	28
– Eindtest en inbedrijfstelling van de automatisering	29
– Afvalverwerking van het product	29

TECHNISCHE GEGEVENS VAN DE VERSCHILLENDE COMPONENTEN VAN HET PRODUCT	30
---	----

WAT TE DOEN ALS... (gids voor het oplossen van problemen)	32
--	----

Bijlagen: "TECHNISCHE DOCUMENTATIE"	I-VII
--	-------

STAP 1

VEILIG WERKEN!

- ⚠ Let op – voor de veiligheid van de personen is het van belang deze aanwijzingen op te volgen.**
- ⚠ Let op – Belangrijke aanwijzingen inzake de veiligheid: bewaar daarom deze aanwijzingen.**

Het ontwerp, de productie van de inrichtingen waaruit dit product bestaat, evenals deze handleiding beantwoorden volledig aan de thans geldende regelgeving op het gebied van veiligheid. Desondanks kan een foutief uitgevoerde installatie en programmering ernstig letsel kunnen toebrengen aan de personen die de werkzaamheden uitvoeren of aan hen die de installatie zullen gebruiken. Daarom is het van belang dat u tijdens de installatie alle aanwijzingen uit deze handleiding opvolgt.

Begin niet met de installatie indien u ook maar de minste twijfel heeft. Vraag eventueel uitleg aan de klantenservice van **Moovo**.

Indien u voor het eerst een automatisering voor draaipoorten of –deuren gaat uitvoeren, verdient het aanbeveling enige tijd aan het lezen van deze handleiding te besteden. Het is raadzaam dit te doen voordat u met de automatisering begint, dus zonder dat u onder tijdsdruk moet werken. Houd bovendien alle inrichtingen van het product bij de hand, zodat u alle informatie van deze handleiding kunt lezen, uitproberen en verifiëren (met uitzondering van de programmeerfase).

Bij het lezen van deze handleiding dient u speciaal te letten op die delen welke gemarkeerd zijn met het symbool:



Deze symbolen duiden onderwerpen aan die een mogelijke bron voor gevaar kunnen zijn en daarom dienen de uit te voeren handelingen uitsluitend door daartoe bevoegde en ervaren technici met inachtneming van deze aanwijzingen en de in dit land bestaande normen en wetten worden uitgevoerd:

⚠ AANBEVELINGEN VOOR HET INSTALLEREN

Volgens de meest recente Europese wetgeving dienen bij het aanleggen van een automatische deur of poort de voorschriften zoals die zijn voorzien in de Richtlijn 98/37/EG (Machinerichtlijn) opgevolgd te worden en met name de normen EN 12445; EN 12453; EN 12635 en EN 13241-1, die een verklaring van vermoedelijke conformiteit van de automatisering mogelijk maken.

Met het oog hierop

moeten de definitieve aansluiting van de automatisering op het elektriciteitsnet, de eindtest van de installatie, de inbedrijfstelling daarvan alsook het periodieke onderhoud door daartoe bevoegd en ervaren personeel worden uitgevoerd, waarbij de aanwijzingen vervat in het kader “*Werkzaamheden die aan een bevoegde technicus zijn voorbehouden*” in acht dienen te worden genomen. Deze technicus moet bovendien bepalen welke tests in functie van de bestaande risico’s noodzakelijk zijn en moet hij controleren of de wettelijke voorschriften, regelgeving en regels, en met name alle vereisten van norm EN 12445, die de testmethodes voor de controle van automatiseringen voor poorten bepaalt, in acht zijn genomen. Daarentegen kunnen werkzaamheden in verband met de voorbereiding, installatie en programmering ook worden verricht door personeel dat niet speciaal geschoold is, mits alle in deze handleiding vervatte aanwijzingen nauwgezet en in de juiste volgorde in acht worden genomen, en dan met name de aanbevelingen van deze STAP 1.

Voordat u met het installeren begint, dient u de volgende analyses en controles te verrichten:

– controleer of de afzonderlijke voor de automatisering bestemde inrichtingen voor de aan te leggen installatie geschikt zijn. Controleer hiertoe met de grootst mogelijke aandacht de gegevens in de paragraaf “*Technische gegevens*”. Begin niet met de installatie als er ook maar een enkele inrichting niet voor het gebruik geschikt is.

– ga na of de in de kit aanwezige inrichtingen voldoende zijn om te garanderen dat de installatie veilig is en goed werkt.

– maak een analyse van de risico’s waarvan de lijst met essentiële veiligheidseisen zoals die voorzien zijn in *Bijlage I van de Machinerichtlijn*, deel uitmaakt, en geef de toegepaste oplossingen daarvoor aan. Wij maken u erop attent dat de risicoanalyse één van de documenten is die deel uitmaken van het “technisch dossier” van de automatisering. Deze dient door een erkende installateur te worden ingevuld.

Met het oog op de gevaarlijke situaties die zich bij het installeren en gebruiken van het product zouden kunnen voordoen, dient de automatisering met inachtneming van onderstaande aanbevelingen te worden geïnstalleerd:

– breng op geen enkel onderdeel van de automatisering wijzigingen aan, tenzij die in deze handleiding zijn voorzien. Dergelijke handelingen kunnen alleen maar storingen veroorzaken. De fabrikant wijst elke aansprakelijkheid voor schade tengevolge van willekeurig gewijzigde producten van de hand.

– zorg ervoor dat geen enkel deel van de automatisering in water of een andere vloeistof terecht kan komen. Zorg er tijdens de installatie ook voor dat er geen vloeistoffen in de reductiemotoren of andere inrichtingen kunnen komen.

– sluit onmiddellijk de elektrische stroom af indien er een vloeistof in delen van de componenten van de automatisering is gekomen, en wend u tot de klantenservice van Moovo. Indien de automatisering onder die omstandigheden toch wordt gebruikt, kan dit een gevaarlijke situatie veroorzaken.

– houd de verschillende componenten van de automatisering uit de buurt van relevante warmtebronnen en open vuur. Anders zouden ze schade kunnen oplopen of zouden er storingen, brand of gevaarlijke situaties kunnen ontstaan.

– elke handeling waarvoor het nodig is het beschermende omhulsel van een bepaald component van de automatisering te openen, dient plaats te vinden terwijl de besturingseenheid van het elektriciteitsnet losgekoppeld is. Indien de ontkoppelingseenheid niet goed te zien is, dient u een bord aan te brengen met het opschrift: “LET OP ONDERHOUDSWERKZAAMHEDEN IN UITVOERING”.

– het product kan niet als een doelmatig beveiligingssysteem tegen indringers beschouwd worden. Indien u zich doelmatig wilt beveiligen, dient u de automatisering met andere inrichtingen aan te vullen.

– de besturingseenheid moet op een geaarde elektriciteitsleiding voor stroomvoorziening worden aangesloten.

– het product mag pas worden gebruikt, nadat de automatisering “in bedrijf is gesteld” zoals dat is voorzien in de paragraaf “*Eindtest en inbedrijfstelling van de automatisering*” in het kader “*Werkzaamheden die aan een bevoegde technicus zijn voorbehouden*”.

– De afvalverwerking van al het verpakkingsmateriaal van de onderdelen van de automatisering moet helemaal volgens de plaatselijk geldende regels plaatsvinden.

STAP 2

2.1 – BESCHRIJVING VAN HET PRODUCT EN GEBRUIKSDOEL

Alle inrichtingen tezamen die dit product vormen, dienen ertoe een poort of een deur met dubbele vleugels (afb. 1a) te automatiseren. Bovendien is het ook mogelijk poorten of deuren met één enkele vleugel te automatiseren (afb. 1b).

Elk ander gebruik dat niet overeenkomt met wat beschreven is en onder andere omstandigheden dan wat in STAP 3 is aangeduid, dient als oneigenlijk gebruik te worden beschouwd en is dus verboden!

Het belangrijkste deel van de automatisering bestaat uit twee elektromechanische reductiemotoren die elk van een 12V-gelijkstroommotor voorzien zijn en een vertragingswerk met een tandwerk voorzien van rechte tanden. In één van de reductiemotoren bevindt zich ook een besturingseenheid.

De besturingseenheid stuurt alle inrichtingen van de automatisering aan en voorziet ze van elektrische stroom waarbij zij de werking daarvan beheert. Ze bestaat uit een kaart en een ingebouwde radio-ontvanger die de door een zender verstuurde instructies ontvangt. Bovendien kan ze door een bedieningspaneel aan de wand worden aangestuurd of door een stel fotocellen, dat alleen voor een *openingsinstructie* is geprogrammeerd.

De besturingseenheid is in staat verschillende soorten manoeuvres aan te sturen, die elk volgens de persoonlijke wensen kunnen worden gebruikt en geprogrammeerd.

Bovendien zijn er verschillende speciale functies waarmee het mogelijk is de parameters van de automatisering op de persoonlijke wensen af te stellen.

De automatisering is gereed voor het gebruik van verschillende accessoires die de functionaliteit daarvan verhogen en garant staan voor veiligheid. Zo kan de besturingseenheid ten hoogste 150 toetsen van MT4-zenders in het geheugen opslaan; ten hoogste 4 bedieningspanelen MK of in plaats daarvan maximaal 4 stel fotocellen MP, die alleen voor een openingsinstructie zijn ingericht.

De verschillende elementen worden door het systeem "Bus" verbonden. Dit systeem maakt de verbinding tussen de verschillende inrichtingen heel

wat minder complex, daar er maar één enkele kabel tussen de ene inrichting en het andere gebruikt moet worden.

Het product werkt op stroom die van het elektriciteitsnet afkomstig is; ingeval van stroomuitval (*black-out*) kunnen de reductiemotoren ook handmatig ontgrendeld worden en kunnen de poortvleugels met de hand worden geopend.

Het is in ieder geval mogelijk de poort ook met behulp van de bufferbatterij (model MB) te openen als die deel uitmaakt van de installatie.

2.2 – COMPONENTEN VOOR HET AANLEGGEN VAN EEN COMPLETE INSTALLATIE

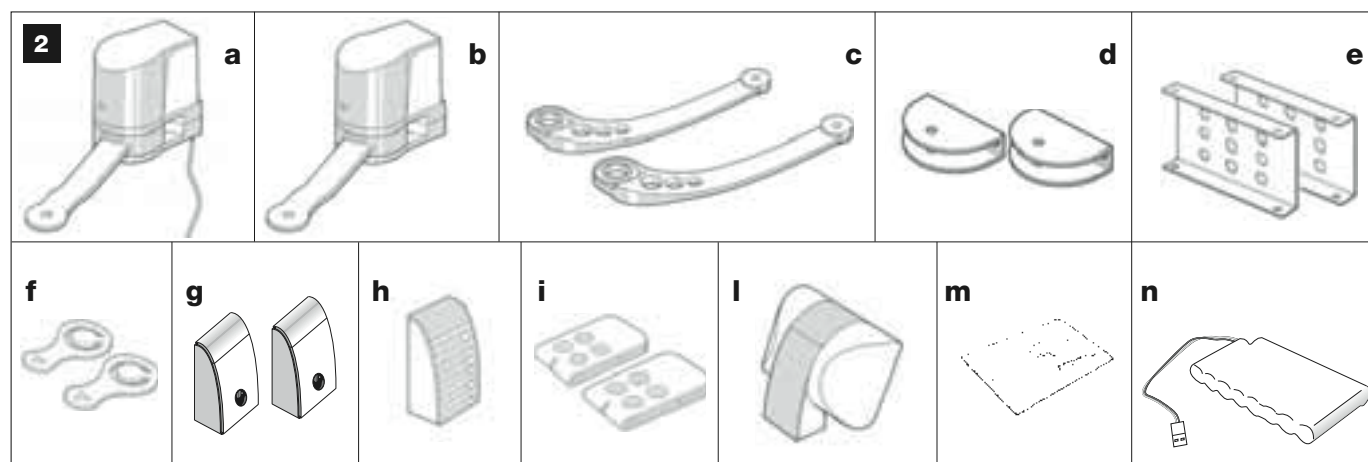
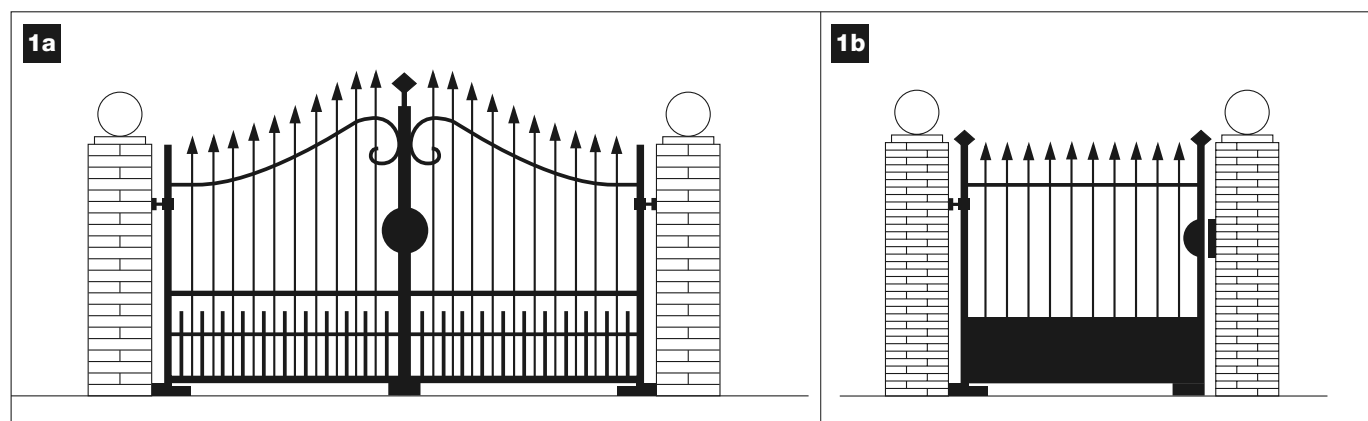
Afb. 2 laat alle componenten zien die voor het aanleggen van een complete installatie nuttig zijn, zoals die op afb. 8 te zien is.

AANBEVELING!

Enkele componenten die op afb. 2 zijn afgebeeld, zijn niet standaard en het kan zijn dat die niet in de verpakking zitten.

Lijst van nuttige componenten:

- [a] - elektromechanische reductiemotor met besturingseenheid
- [b] - elektromechanische reductiemotor zonder besturingseenheid
- [c] - gebogen armen
- [d] - beugels voorkant (voor bevestiging van de reductiemotoren aan de poort)
- [e] - steunen achterkant (voor bevestiging van de reductiemotoren aan de muur)
- [f] - sleutels voor handmatige ontgrendeling van de reductiemotoren
- [g] - stel fotocellen mod. MP (voor aan de wand)
- [h] - bedieningspaneel mod. MK (voor aan de wand)
- [i] - handzender mod. MT4
- [l] - knipperlicht mod. MF
- [m] - metalen verbruiksmateriaal (schroeven, borgringetjes, etc.)
- [n] - bufferbatterij mod. MB



STAP 3

CONTROLES VOOR HET INSTALLEREN

Voordat u gaat installeren, dient u te controleren of de onderdelen van het product intact zijn en het uitgekozen model en de voor installatie bestemde omgeving geschikt is.

BELANGRIJK – De reductiemotoren kunnen geen poort automatiseren die niet al goed en veilig functioneert of defecten verhelpen die het gevolg zijn van een verkeerd uitgevoerde installatie van de poort of slecht onderhoud daaraan.

3.1 – CONTROLEREN VAN DE GESCHIKTHEID VAN DE OMGEVING EN DE TE AUTOMASISEREN POORT

- Controleer of de mechanische structuur van de poort geschikt is om conform de in uw land van kracht zijnde voorschriften te worden geautomatiseerd (raadpleeg eventueel de gegevens op het etiket van de poort, als dit aanwezig is).
- Controleer wanneer u de poortvleugels handmatig *opent en sluit*, of de wrijving tijdens de manoeuvre op alle punten gelijkmatig en constant is (er mogen geen momenten met een grotere belasting voorkomen).
- Verplaats de vleugels handmatig naar een willekeurige stand, breng ze tot stilstand en controleer dan of zij niet in beweging komen.
- Controleer op de plaats waar de reductiemotor zal worden bevestigd, of er ruimte genoeg is voor de draaiende beweging van de arm (afb. 7).
- Controleer of de ruimte rond de reductiemotoren groot genoeg is om de deur gemakkelijk en veilig handmatig te kunnen ontgrendelen.
- Controleer of de door u gekozen plaats voor het installeren van de verschillende inrichtingen stevig genoeg is en een stabiele bevestiging gegarandeerd is.
- Controleer of alle te installeren inrichtingen aangebracht zijn op een veilige en tegen stoten beschermde plaats.
- Controleer of de uitgekozen bevestigingsvlakken van de fotocellen goed vlak zijn waardoor een goede uitlijning tussen de fotocellen mogelijk is.

3.2 – CONTROLEREN VAN DE GEBRUIKSLIMIETEN VAN HET PRODUCT

De reductiemotoren moeten zo worden geïnstalleerd dat de achtersteun op de muur (of op de zuil) van de poort wordt bevestigd en de beugel waarop de arm steunt, op de poortvleugel.

De reductiemotoren moeten zo worden geïnstalleerd dat de achtersteun op de muur (of op de zuil) van de poort wordt bevestigd en de beugel waarop het voorste gedeelte steunt, op de poortvleugel.

Om vast te stellen of het product geschikt is voor de te automatiseren poort en de specifieke context is het noodzakelijk onderstaande controles uit te voeren en te controleren of de technische gegevens in deze paragraaf alsook die vervat in hoofdstuk "Technische gegevens van het product" overeenkomen.

1 – Controleer dat de afzonderlijke poortvleugels qua afmetingen en

gewicht binnen onderstaande grenzen vallen en raadpleeg hiervoor **grafiek 1**:

- **maximumbreedte 1,80 m;**
- **maximumhoogte 2 m;**
- **maximumgewicht 250 kg.**

2 – Controleer of de minimum-en maximumtemperatuur van de omgeving van de installatie binnen de temperatuurslimieten voor werking van dit product vallen. Kijk daarvoor bij de technische gegevens in het hoofdstuk "Technische gegevens van het product".

3 – Met het oog op de richting vanwaar de elektriciteitsleiding loopt (als die reeds aanwezig is) die de stroom voor de installatie moet leveren, stelt u vast op welke poortvleugel de reductiemotor met de besturingseenheid zal worden bevestigd.

4 – Uitgaande van de waarden op de **afb. 3-4-5-6-7** controleert u op elke vleugel en op de muur (of de zuil) daarnaast dat er voldoende ruimte is voor het plaatsen van de reductiemotor:

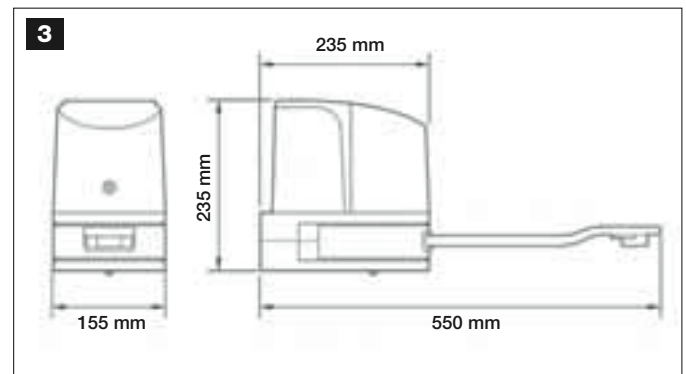
a) Afb. 3: geeft de totale ruimte aan die de reductiemotor in beslag neemt.

b) Afb. 4: geeft in verticale richting de ruimte aan, waarbinnen de achtersteun van de reductiemotor moet worden geplaatst. De precieze waarde waarop deze steun moet worden geplaatst, moet berekend worden op grond van punt 02 van STAP 5.

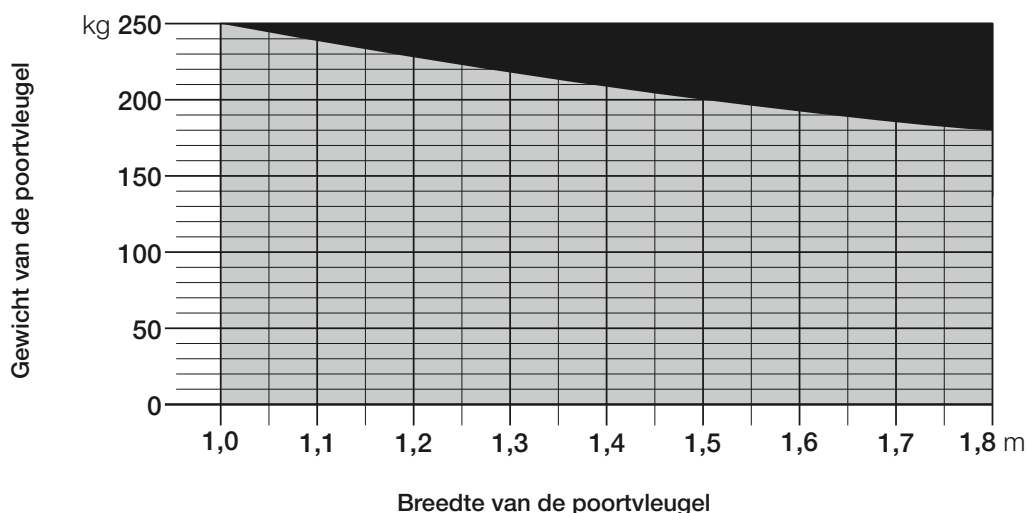
c) Afb. 5: geeft de maximale maat "B" aan die nodig is tussen het draaipunt van de vleugel en het muurvlak waarop de achtersteun van de reductiemotor zal worden bevestigd.

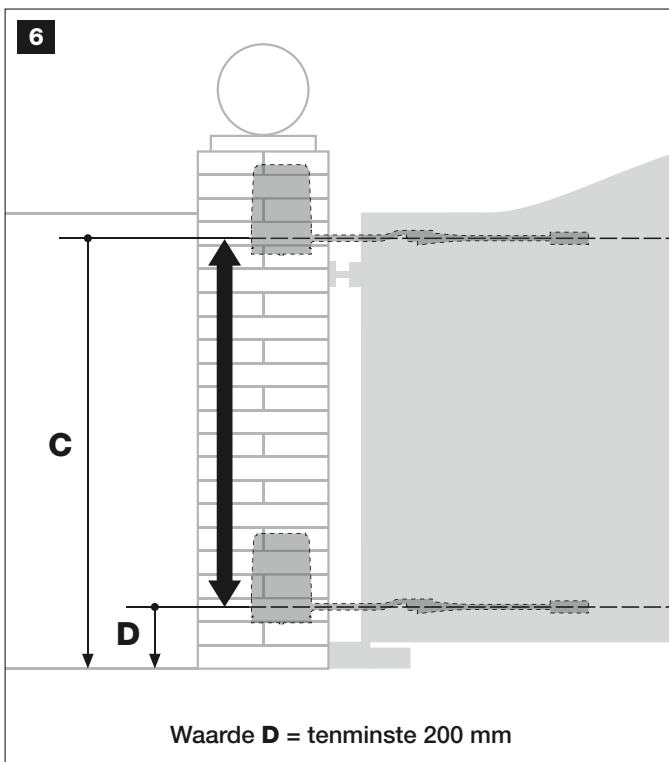
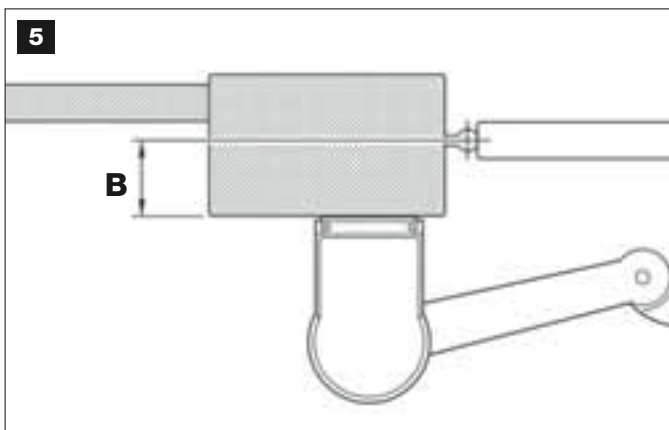
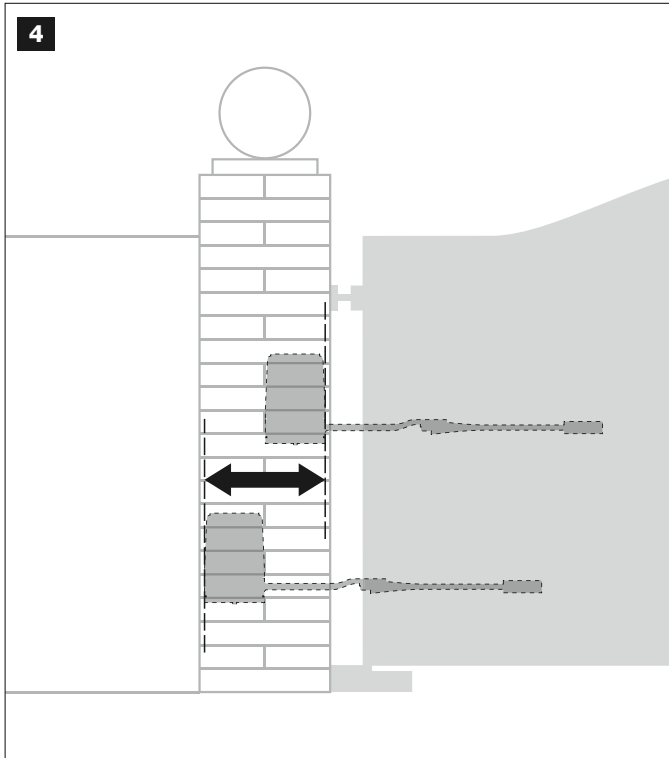
d) Afb. 6: geeft in horizontale richting de ruimte aan waarbinnen de achtersteun van de reductiemotor moet worden geplaatst. De precieze waarde waarop deze steun moet worden geplaatst, moet berekend worden op grond van punt 01 van STAP 5. De maat "D" geeft de minimale waarde vanaf de grond aan (aanbevolen minimumwaarde: 200 mm vanaf de grond). De maat "C" (maximale waarde vanaf de grond) hangt van de hoogte van de vleugel af.

e) Afb. 7: geeft de minimale maat "E" (400 mm) aan die nodig is tussen de arm van de reductiemotor en een eventueel obstakel wanneer de vleugel helemaal open staat (muur, rand van een bloemperk, etc.). **N.B.** – Deze waarde moet gemeten worden gerekend vanaf de middellijn van de reductiemotor.

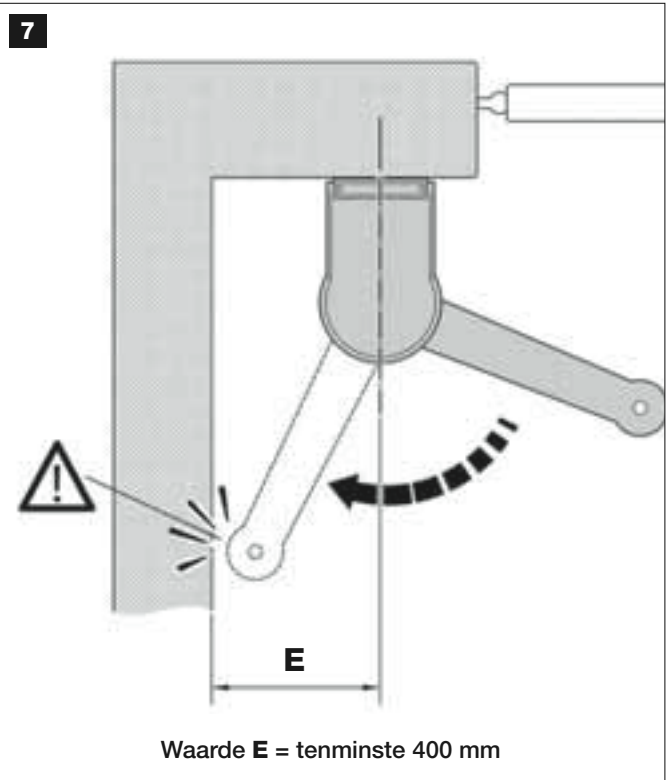


GRAFIEK 1





Waarde **D** = tenminste 200 mm



Waarde **E** = tenminste 400 mm

STAP 4

4.1 – VOORBEREIDENDE WERKZAAMHEDEN

4.1.1 – Karakteristieke referentie-installatie

Op **afb. 8** ziet u een voorbeeld van automatisering zien die tot stand is gekomen met de verschillende onderdelen van **Moovo**. Zij worden geplaatst en geassembleerd volgens een karakteristiek en gebruikelijk schema. Dit zijn:

- a** - Elektromechanische reductiemotor met besturingseenheid
- b** - Elektromechanische reductiemotor zonder besturingseenheid
- c** - Steunen achterzijde (voor op de muur)
- d** - Beugels voorzijde (voor op de vleugel)
- e** - Stel fotocellen (voor aan de wand)
- f** - Knipperlicht
- g** - Bedieningspaneel (voor aan de wand)
- h** - Stel zuiltjes voor fotocellen
- i** - Mechanische stops bij *Opening* (*N.B.* – In plaats hiervan kan de manoeuvre van de vleugel eindigen tegen een natuurlijke stop - muur, rand van een bloemperk, etc. - of kan de mechanische eindschakelaar in de reductiemotor worden gebruikt)
- l** - Mechanische stop bij *Sluiting*

4.1.2 – Vaststellen van de plaats van de verschillende componenten

Gebruik **afb. 8** als voorbeeld voor het ongeveer vaststellen van de plaats waar u de verschillende componenten zoals die in de installatie zijn voorzien, gaat installeren.

4.1.3 – Vaststellen met welke schema de inrichtingen te verbinden

Het product voorziet een verbinding van het type "Bus" tussen de verschillende inrichtingen van de installatie, d.w.z. door middel van één enkele kabel met daarin twee elektriciteitsdraden. Bij dit soort verbinding verloopt de datacommunicatie tussen de verschillende inrichtingen via kabel, waarbij gebruik wordt gemaakt van een specifiek protocol genaamd "**Bus-Moovo**". **Let op!** – in de installatie kunnen alleen inrichtingen worden geïnstalleerd die dit protocol ondersteunen.

Binnen het net "Bus" kunnen de inrichtingen verbonden via verschillende aansluitschema's worden verbonden en wordt in elk schema elke inrichting een knooppunt van dit net. Dit zijn de aansluitschema's:

– "sterconfiguratie": in dit schema is elke inrichting zelfstandig, daar zij rechtstreeks op de 2 klemmetjes van de "Bus" op de besturingseenheid is aangesloten.

– "kettingconfiguratie": in dit schema is de ene inrichting met de andere verbonden en deze laatste met weer een ander, zoals de schakels van een ketting. Dus wordt alleen de eerste inrichting van de ketting op de 2 klemmetjes van de "Bus" op de besturingseenheid aangesloten

– "gemengde configuratie": dit schema bestaat uit een vermenging van de twee hierboven beschreven schema's.

Om vast te stellen welk aansluitschema het meest geschikt is voor de verbinding van alle inrichtingen in uw installatie, gelieve u het voorbeeld op **afb. 9 / afb. 26** te raadplegen. In het algemeen is het raadzaam het knipperlicht als eerste inrichting rechtstreeks op de besturingseenheid aan te sluiten.

4.1.4 – Controleren van het voor het te verrichten werk benodigde gereedschap

Voordat u het product gaat installeren dient u zich ervan te vergewissen over al het gereedschap en het materiaal te kunnen beschikken dat nodig is voor het uitvoeren van de werkzaamheden (zie voorbeeld op **afb. 10**). Controleer bovendien of dit in goede staat verkeert en in overeenstemming is met de plaatselijke regelgeving inzake veiligheid.

4.1.5 – Uitvoeren van de voorbereidende werkzaamheden

U kunt nu de sleuven voor de buizen van de elektriciteitskabels trekken of, als alternatief, kabelgootjes voor buiten aanleggen, bovengenoemde buizen in het cement vastzetten of andere voorbereidingen treffen die ertoe dienen de omgeving klaar te maken voor de hierna komende installatiewerkzaamheden.

AANBEVELINGEN:

- Plaats de reductiemotor met de besturingseenheid in de nabijheid van het punt waar de elektrische stroomvoorziening zich bevindt, als die reeds aanwezig is.
- Plaats de uiteinden van de buizen voor doorvoer van elektriciteitskabels vlakbij het punt waar de verschillende componenten zullen worden bevestigd.

N.B.:

- De buizen hebben tot doel de elektriciteitskabels te beschermen en onvoorzien breuk daarvan te voorkomen, zoals bijvoorbeeld bij stoten
- De "vaste" bedieningsorganen dienen zo geplaatst te worden dat de poort zichtbaar is, maar uit de buurt van de bewegende delen hiervan.

4.2 – VOORBEREIDEN VAN DE ELEKTRICITEITSKABELS

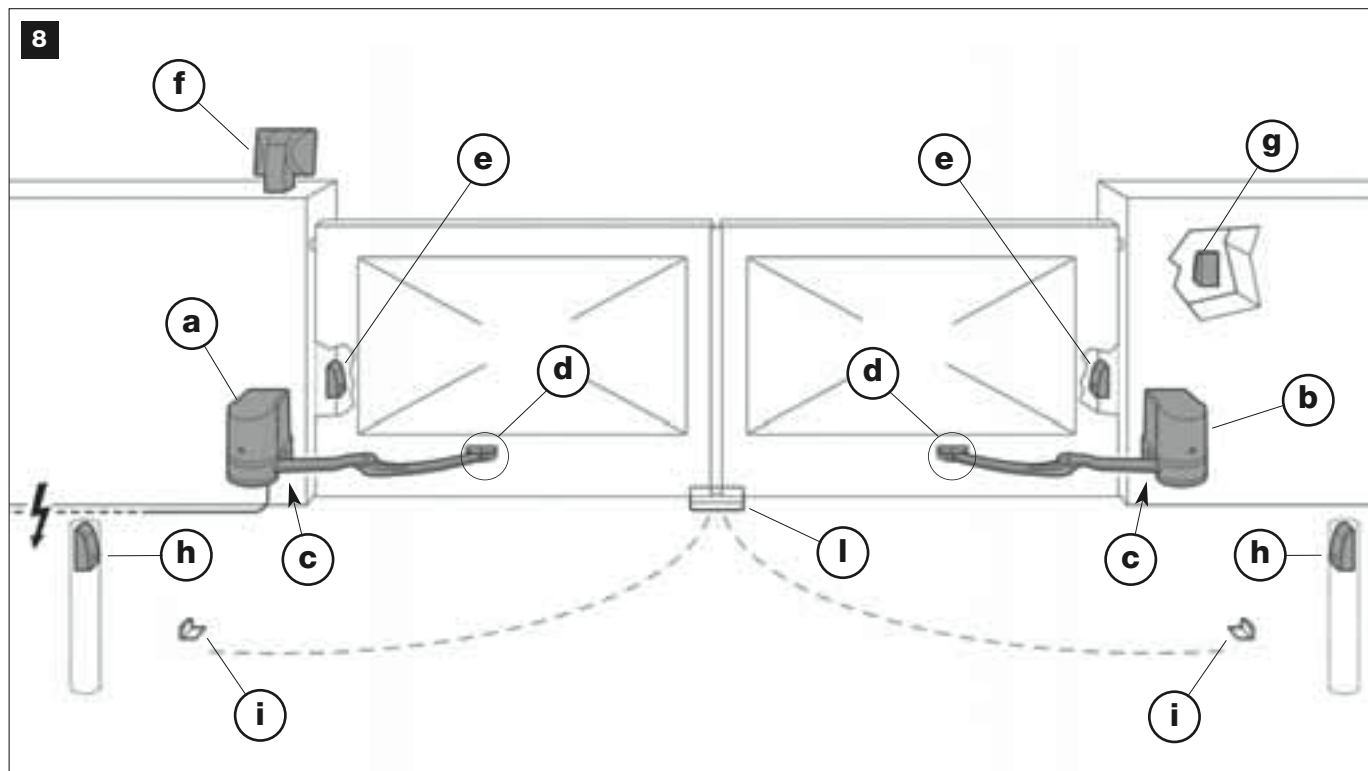
Bij het voorbereiden van de voor uw installatie benodigde elektriciteitskabels gelieve u uit te gaan van **afb. 9** en "Tabel 1 – Technische gegevens van de elektriciteitskabels". Bovendien dient u onderstaande aanbevelingen in acht te nemen:

– Bij de "sterconfiguratie" mag de lengte van de afzonderlijke kabel die een inrichting met de besturingseenheid verbindt, **NIET meer dan 20 m bedragen**.

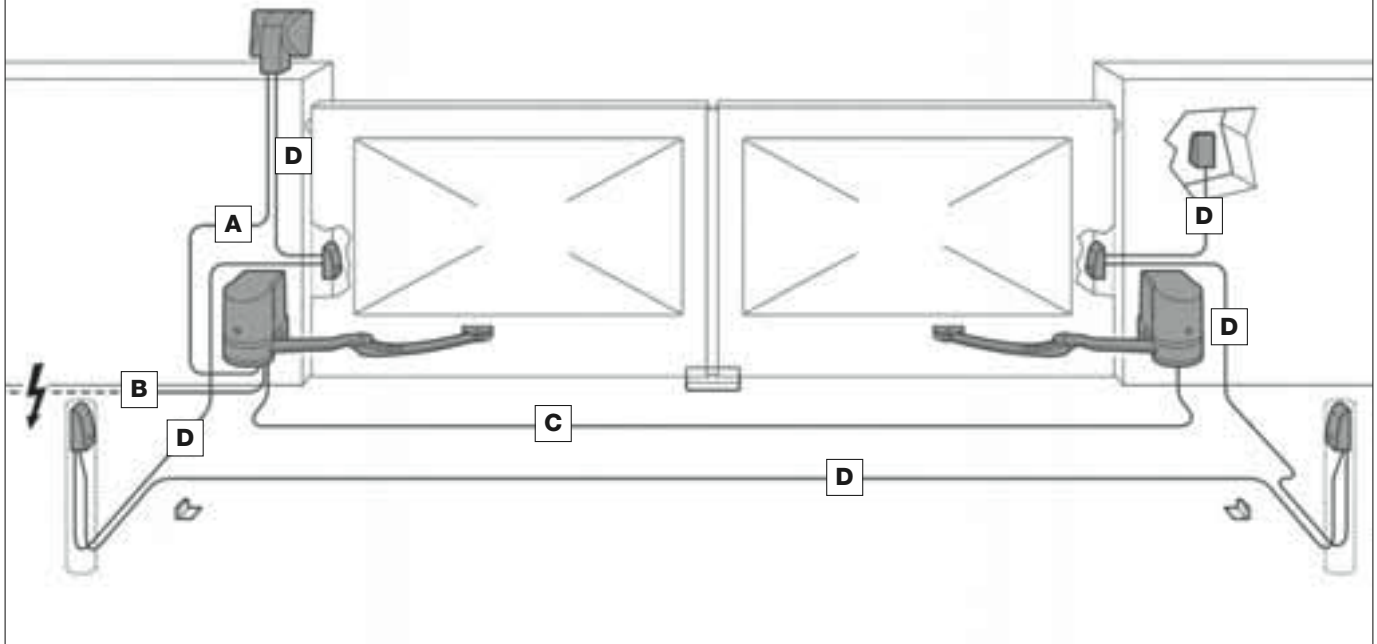
– Bij de "kettingconfiguratie" mag de som van de lengten van de kabels die gebruikt zijn om de ene inrichting met de andere en tenslotte met de besturingseenheid te verbinden, **NIET meer dan 20 m bedragen**.

– Als er tussen de besturingseenheid en het knipperlicht nog andere inrichtingen worden aangesloten, dient u voor die inrichtingen dezelfde kabel te gebruiken als die welke u voor het knipperlicht hebt gebruikt.

– Het leggen van de elektriciteitskabels en het aansluiten daarvan op de verschillende inrichtingen zijn werkzaamheden die tijdens het installeren van de componenten dienen te worden verricht.



9



10



TABEL 1 – Technische kenmerken van de elektriciteitskabels (opmerking 1)

Aansluiting	Type kabel	Max. toegestane lengte
A - Kabel voor KNIPPERLICHT	Kabel 2 x 1,0 mm ²	10 m (lees paragraaf 4.2)
B – Kabel voor STROOMTOEVOER	Kabel 3 x 1,5 mm ² (opmerking 2)	30 m
C - Kabel voor MOTOR	Kabel 3 x 1,5 mm ²	10 m
D - Kabel voor BUS	Kabel 2 x 0,5 mm ²	20 m (lees paragraaf 4.2)

Opmerking 1 – De voor de aanleg van de installatie benodigde kabels (niet aanwezig in de verpakking) kunnen verschillen op grond van het aantal en het soort inrichtingen van de installatie

Opmerking 2 – Als de meegeleverde kabel voor stroomtoevoer niet lang genoeg is, dient u hem met een kabel van dit type te vervangen. Dit moet door bevoegd en ervaren personeel gebeuren: zie het kader “Werkzaamheden die aan een bevoegde technicus zijn voorbehouden”.

LET OP! – De gebruikte kabels moeten geschikt zijn voor de omgeving waarin zij worden geïnstalleerd; voor het installeren in een ruimte buitenshuis is het bijvoorbeeld raadzaam een kabel van het type H07RN-F te gebruiken.

STAP 5

5.1 – INSTALLEREN VAN DE COMPONENTEN VAN DE AUTOMATISERING

AANBEVELINGEN

- Een verkeerd uitgevoerde installatie kan ernstige verwondingen toebrengen aan degene die het werk verricht en aan de mensen die de installatie zullen gebruiken.
- Voordat u met het assembleren van de automatisering begint, voert u de controles vooraf uit zoals die in STAP 3 zijn beschreven.

BELANGRIJK! – Onderstaande montagefasen (STAP 5) beschrijven de “fysieke” installatie van één enkele reductiemotor.

Als de te automatiseren poort een dubbele vleugel heeft, dient u dezelfde handelingen ook voor het installeren van de andere reductiemotor uit te voeren. Met name voor het installeren van de reductiemotor met de besturingseenheid gelieve u STAP 6 te raadplegen om vast te stellen op welke poortvleugel hij moet worden gemonteerd.

Bevestiging van de achterbeugel van de reductiemotor op de muur

Voor het bevestigen van de achterbeugel van de reductiemotor op de muur of de zuil van de poort dient u de plaats in verticale en horizontale richting vast te stellen; u doet dit als volgt:

– **Plaats in verticale richting (afb.5):** volg de algemene aanwijzingen uit STAP 3 en **afb. 5** op; trek vervolgens nadat u met een potlood de plaats hebt bepaald, een horizontale lijn op de muur (of op de zuil).

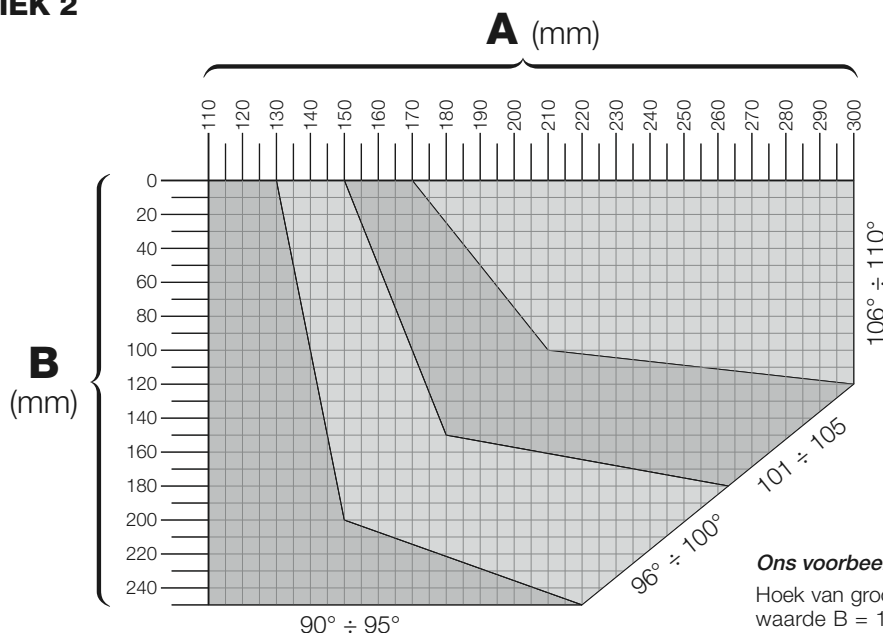
– **Plaats in horizontale richting (afb.4):** voor het plaatsen van de achtersteun van de reductiemotor in horizontale richting kunt u **Grafiek 2** gebruiken, waarbij u als volgt te werk gaat:

01. Bepalen van de **hoek van grootst mogelijke opening van de vleugel**: zet de poortvleugel in de gewenste maximale openingsstand (let op de aanbeveling **4-d** van STAP 3.2) en meet met behulp van de afbeelding van de goniometer op de laatste bladzijde van deze handleiding het aantal graden van de openingshoek van de vleugel. Zoek daarna op **Grafiek 2** het grijze gebied dat overeenkomt met uw hoek en markeer het.
02. Bepalen van de **waarde B** en de **waarde A**: Meet op basis van **afb. 11** in uw context de **waarde B**. Deze waarde is de afstand tussen het rotatiepunt van de poortvleugel en het vlak waarop de achterbeugel zal worden bevestigd. Markeer dan op de grafiek de zojuist gevonden **waarde B** en trek vanaf hier een horizontale lijn totdat die het gebied van de hoek dat u op bovengenoemd punt hebt gevonden, snijdt. In dit gebied geeft de getrokken lijn 2

punten; trek nu vanaf elk van beide punten een verticale lijn naar omhoog tot deze de rechte lijn van de waarde A snijdt. Het gebied dat door lijnen bepaald wordt, geeft de **waarde A** aan, dat wil zeggen de waarden die u kunt gebruiken voor het bevestigen van de achterbeugel.

03. Teken nu op de muur (of op de zuil) de gevonden waarde af en trek tenslotte een verticale lijn die door dit punt loopt. Plaats vervolgens waarbij u de op de muur getrokken lijnen aanhoudt, de achterbeugel op de plaats die voorzien is op het vlak en teken met een potlood de te boren punten af.
04. Breng met een boor gaten in de muur aan, steek de plugs (tenminste 8 mm; niet meegeleverd) erin en bevestig de steun met behulp van de juiste schroeven en borgringetjes (**afb. 12**). **Belangrijk** – Controleer of de beugel volkomen waterpas is; een reductiemotor die niet in lijn is kan storingen aan de automatisering veroorzaken (**afb. 13 en 14**).
N.B. – De schroeven die u nodig hebt om de beugel op de muur te bevestigen maken geen deel uit van de verpakking daar het soort schroeven afhangt van het materiaal en de dikte van de muur waarin zij moeten worden aangebracht.
05. Haal de mechanische eindschakelaar op het ondervlak van de reductiemotor, met een sleutel van 13 mm (**afb. 15**) weg; draai de zelfblokkerende moer van de schroef van de mechanische eindschakelaar los.
06. Steek het achterdeel van de reductiemotor in de daarvoor bestemde plaats van de bevestigingsbeugel en let er daarbij op dat de openingen op de motor overeenkomen met die op de beugel (**afb. 16**).
07. Ondersteun de reductiemotor met de ene hand en steek met de andere hand de twee meegeleverde schroeven in de boringen. **N.B.** – Als de schroeven niet gemakkelijk kunnen worden aangebracht kunt u een hamer en een inbussleutel gebruiken om ze er helemaal in aan te brengen (zie **afb. 17**). Zet daarna de schroeven met de daarvoor bestemde moeren vast; gebruik hiervoor een steeksleutel om de kop van de schroef vast te houden en een inbussleutel (van 10 mm), met een buitenmaat van niet meer dan 14,5 mm om de moer vast te schroeven.
08. Bevestig nu de gebogen arm op de reductiemotor. **BELANGRIJK!** – De arm moet zo worden geplaatst dat de buiging naar de poortvleugel is gericht. Steek daarna de kop van de “verlenging” van de reductiemotor in de opening van de gebogen arm en bevestig dit alles met de meegeleverde schroef, borgringetje en moer (**afb. 18**).
09. Om de aansluitbeugel op de poortvleugel te bevestigen gaat u als volgt te werk:
 - a) Steek de beugel in het uiteinde van de gebogen arm en zorg ervoor dat de openingen daarvan overeenkomen en steek de meegeleverde pin erin (**zonder de stopbenzing** - **afb. 19**).
 - b) Ontgrendel de reductiemotor met de daarvoor bestemde ontgrendelingsleutel (zie het hoofdstuk “Handmatig vergrendelen en ont-

GRAFIEK 2



grendelen van de reductiemotor" in de "Gebruikershandleiding)
c) Zet de poortvleugel in de maximale gewenste *sluitstand* en **strek de arm helemaal uit** (afb. 20). Breng daarna de vleugel daarbij totdat de bevestigingsbeugel helemaal daar tegenaan komt.
d) Teken nu met een potlood de te boren punten af en maak met een boor de gaten in de vleugel.

N.B. – De schroeven die u nodig hebt om de beugel op de poortvleugel te bevestigen maken geen deel uit van de verpakking daar het soort schroeven afhangt van het materiaal en de dikte van de poort of deur waarin zij moeten worden aangebracht.

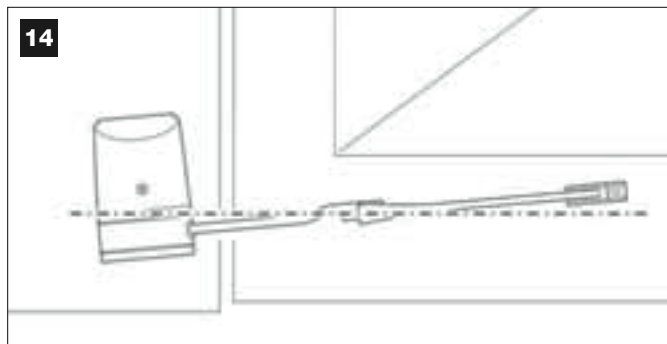
- 10.** Haal de beugel van de arm van de reductiemotor weg en bevestig hem aan de poortvleugel. **Belangrijk** – Controleer of de beugel helemaal waterpas is.
11. Bevestig de arm van de reductiemotor op de beugel waarbij u de meegeleverde pin en stopbenzing aanbrengt.

12. **LET OP!** – Als er op de plaats van installatie geen mechanische stops op de grond aanwezig zijn, gelieve u STAP 5.2 te raadplegen.

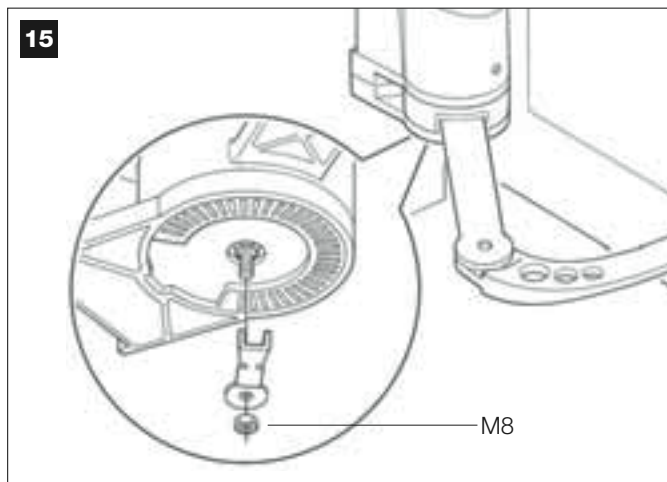
- 13.** Zet daarna, terwijl de reductiemotor nog steeds ontgrendeld is, de poortvleugel handmatig ongeveer halverwege zijn loop (afb. 21) en vergrendel de reductiemotor met de daarvoor bestemde sleutel (zie het hoofdstuk "Handmatig vergrendelen en ontgrendelen van de reductiemotor" in de sectie "TECHNISCHE DOCUMENTATIE"). Verplaats de poortvleugel nu met een lichte beweging een paar centimeter in de richting van de grootst mogelijke *opening*, totdat u een klik hoort.

- 14.** Is de te automatiseren poort een dubbele vleugel heeft, dient u dezelfde handelingen die in STAP 5 beschreven zijn opnieuw uit te voeren om ook de andere reductiemotor te installeren.

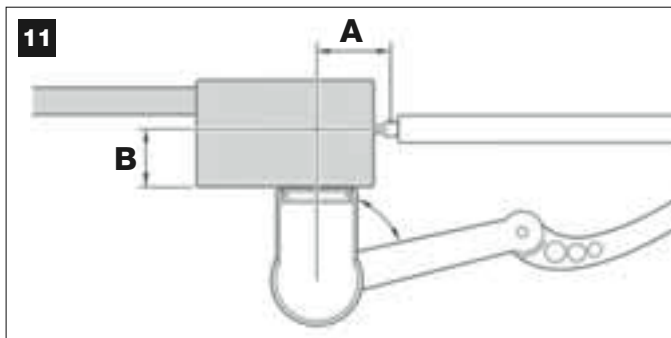
14



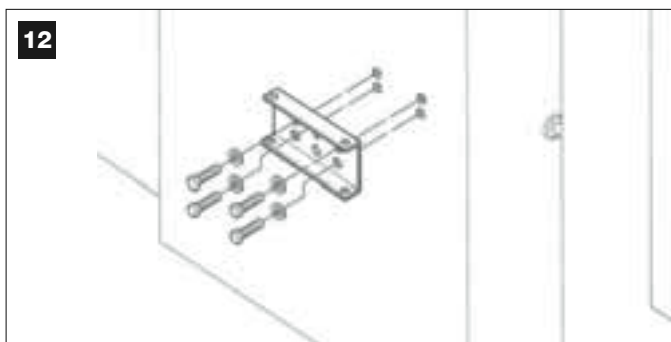
15



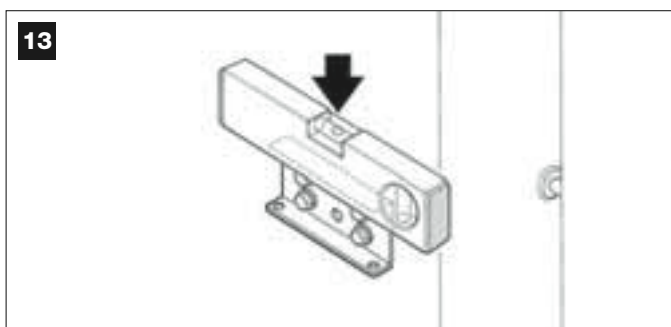
11



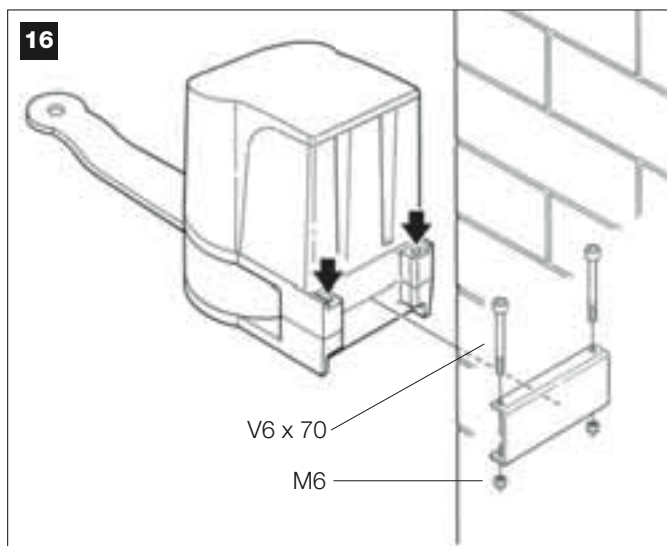
12



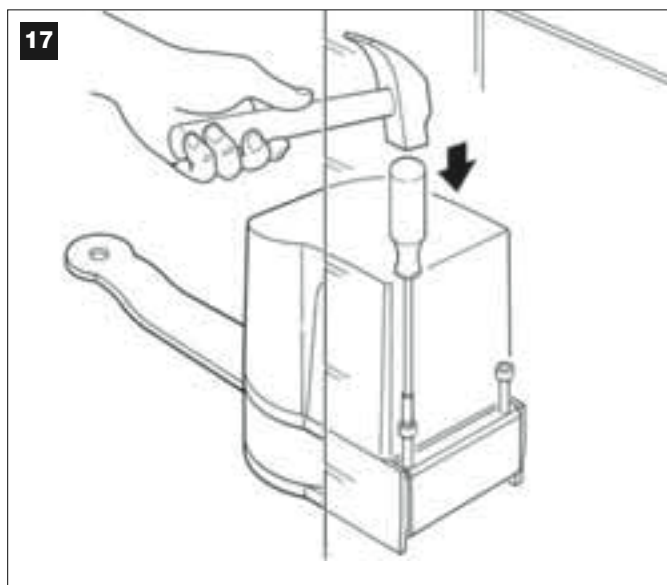
13



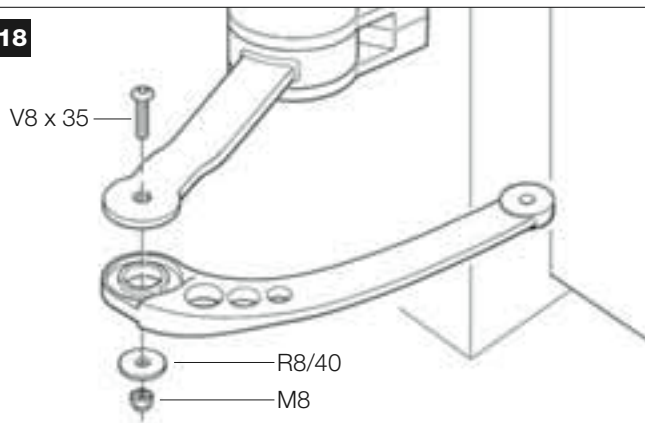
16



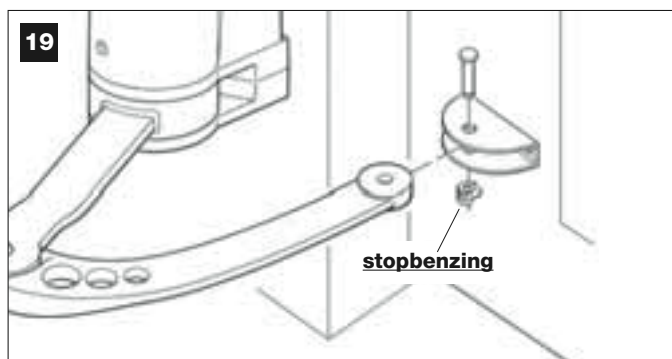
17



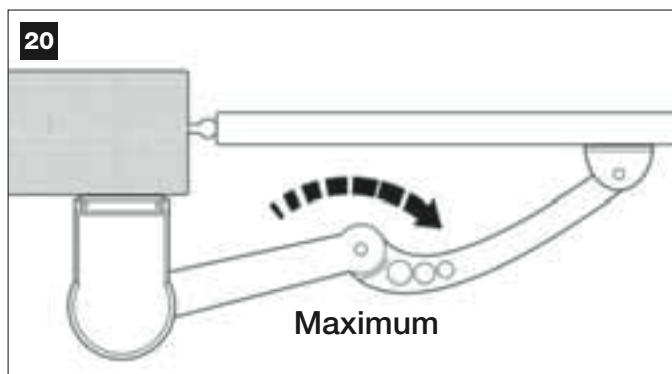
18



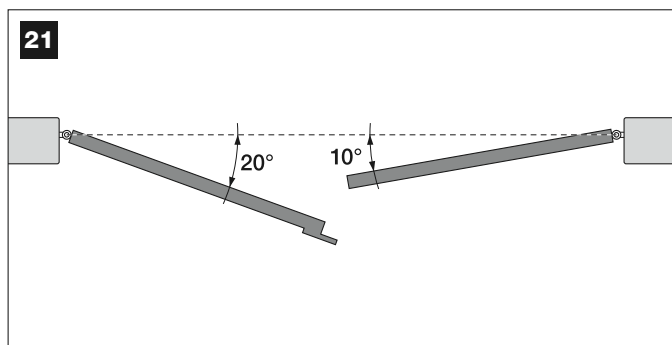
19



20



21



5.2 – AFSTELLING VAN DE MECHANISCHE EINDSCHAKELAAR IN *OPENING*

Als er op de plaats van installatie geen mechanische stops op de grond aanwezig zijn, die de poortvleugels aan het einde van de *openingsmanoeuvre* moeten laten stoppen, dient u de mechanische eindschakelaar op het ondervlak van elk van beide reductiemotoren af te stellen; u gaat hiervoor als volgt te werk:

01. Terwijl de reductiemotor ontgrendeld is, brengt u de vleugel handmatig in de *openingsstand*.
02. Zoek het middelpunt (as) van de arm van de reductiemotor en markeer dat met een stuk plakband dat u op het vaste deel van de reductiemotor, boven de arm (afb. 22) plakt.

03. Sluit nu de poortvleugel.

04. Om het bevestigen van de mechanische eindschakelaar gemakkelijker te maken, raden wij u aan er een stuk plakband aan toe te voegen tot op de basis van de reductiemotor, zoals te zien is op **afb. 23**.

05. Plaats de mechanische eindschakelaar als volgt: als u bezig bent met de reductiemotor die de linkervleugel laat bewegen, moet de mechanische eindschakelaar links van plakband daarnaast worden aangebracht; als u daarentegen bezig bent met de rechter reductiemotor, zal de mechanische eindschakelaar rechts van het plakband daarnaast (**afb. 24**) moeten worden aangebracht. Zet hem nu met de zelflokkerende moer daarvan vast (**afb. 25**).

06. Terwijl u de poortvleugel handmatig beweegt controleert u nu op deze precies op de gewenste maximale *openingsstand* stopt. Mocht dit niet het geval zijn, verplaats de mechanische eindschakelaar dan een of twee "tandjes"; en controleer opnieuw de maximale *openingsstand*.

07. Zet nu, terwijl de reductiemotor nog steeds ontgrendeld is de poortvleugel handmatig op ongeveer halverwege zijn loop en vergrendel de reductiemotor met de daarvoor bestemde sleutel (zie hoofdstuk "Handmatig vergrendelen en ontgrendelen van de reductiemotor" in de Gebruikershandleiding). Verplaats de poortvleugel nu met een lichte beweging een paar centimeter in de richting van de grootst mogelijke *opening*, totdat u een klik hoort.

22



23



24



25



STAP 6

INSTALLEREN EN AANSLUITEN VAN DE IN DE INSTALLATIE VOORZIENE INRICHTINGEN

Installeer de in de installatie voorziene inrichtingen en sluit ze aan waarbij u uitgaat van de volgende STAPPEN en het voorbeeld op **afb. 26**.

LET OP! – Een verkeerd uitgevoerde aansluiting kan schade of een gevaarlijke situatie ten gevolge hebben; houd u daarom nauwgezet aan de aangegeven aansluitingen.

Om bij de besturingseenheid te kunnen komen verwijderd u de dekplaat van de reductiemotor met de besturingseenheid waarbij u als volgt te werk gaat: (zie de afbeelding hiernaast):

- Draai de schroef op het bovendeel van de dekplaat met een Amerikaanse schroevendraaier los.
- Zet twee vingers op de twee holten in het achterdeel van de reductiemotor en haal de dekplaat naar boven waarbij u hem naar boven weg trekt; draai hierbij op het grondstuk waarop laatstgenoemde rust.



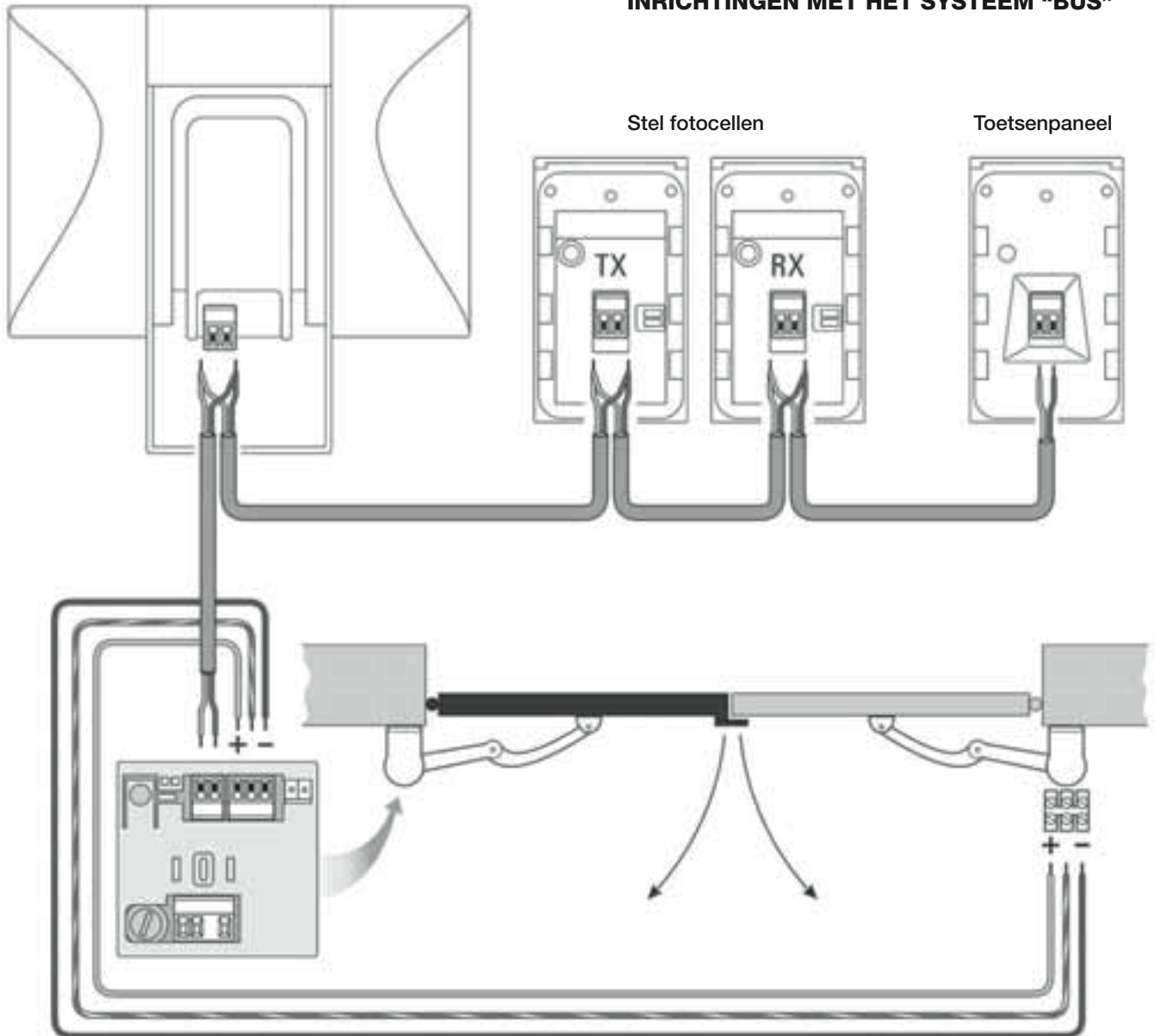
26

Knipperlicht

AANSLUITSCHEMA VAN DE INRICHTINGEN MET HET SYSTEEM "BUS"

Stel fotocellen

Toetsenpaneel



6.1 – INSTELLEN VAN DE VOLGORDE VAN OPENING VAN DE POORTVLEUGELS

Voor het correct instellen op de **Besturingseenheid** van de volgorde waarin de vleugels van uw poort moeten opengaan, dient u uit onderstaande configuraties die te vinden die overeenkomt met uw installatie, en te werk te gaan zoals dat is aangegeven.

Bij het uitvoeren van de aangegeven handelingen kan het nuttig zijn de besturingseenheid van haar plaats te halen; hiervoor gaat u te werk zoals dat is beschreven in het kader "**De besturingseenheid uit de reductiemotor verwijderen**".

Geval A: er is geen enkele wijziging aan te brengen.



Geval B: (op de besturingseenheid) dient u als volgt te werk te gaan:

– zoek het elektrische bruggetje "**Sel**" en zet het van de oorspronkelijke stand van **afb. 27** op de stand zoals die is aangegeven op **afb. 28**

– verwissel de plaats van de draden op de klemmenstrip gemerkt "**Motor 2**" (**afb. 29**).

– verwissel de plaats van de draden op de klemmenstrip gemerkt "**Motor 1**" (**afb. 30**).



Geval C:

– (op de besturingseenheid) dient u het elektrische bruggetje "**Sel**" te vinden en het van de oorspronkelijk stand van **afb. 27** op de stand te zetten zoals die is aangegeven op **afb. 28**



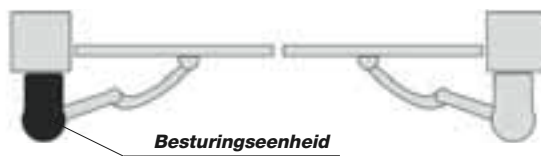
Geval D: (op de besturingseenheid) dient u als volgt te werk te gaan:

– verwissel de plaats van de draden op de klemmenstrip gemerkt "**Motor 2**" (**afb. 29**).

– verwissel de plaats van de draden op de klemmenstrip gemerkt "**Motor 1**" (**afb. 30**).



Geval E: er is geen enkele wijziging aan te brengen.



Geval F: (op de besturingseenheid) dient u als volgt te werk te gaan:

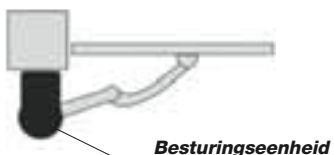
– verwissel de plaats van de draden op de klemmenstrip gemerkt "**Motor 2**" (**afb. 29**).

– verwissel de plaats van de draden op de klemmenstrip gemerkt "**Motor 1**" (**afb. 30**).



Geval G: voor het automatiseren van een poort of een deur met één enkele vleugel, waar de reductiemotor met besturingseenheid **links** is geplaatst, dient u als volgt te werk te gaan:

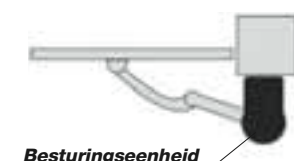
– (op de besturingseenheid) dient u het elektrische bruggetje "**Sel**" te vinden en het van de oorspronkelijke stand van **afb. 27** te zetten op de stand zoals die is aangegeven op **afb. 28**.



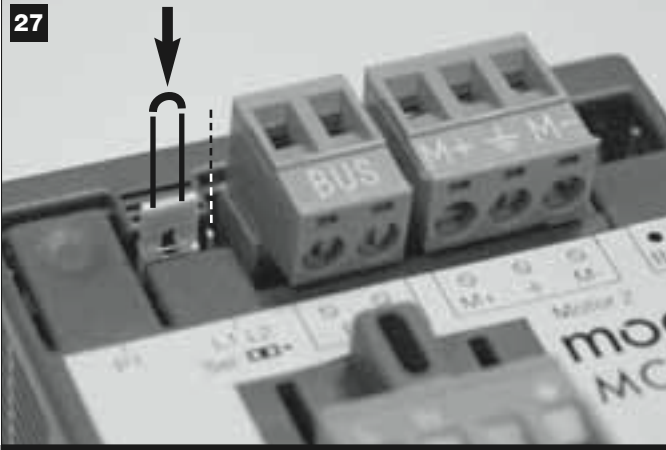
Geval H: voor het automatiseren van een poort of een deur met één enkele vleugel, waar de reductiemotor met besturingseenheid **rechts** is geplaatst, dient u als volgt te werk te gaan:

– (op de besturingseenheid) dient u het elektrische bruggetje "**Sel**" te vinden en het van de oorspronkelijke stand van **afb. 27** op de stand te zetten zoals die is aangegeven op **afb. 28**

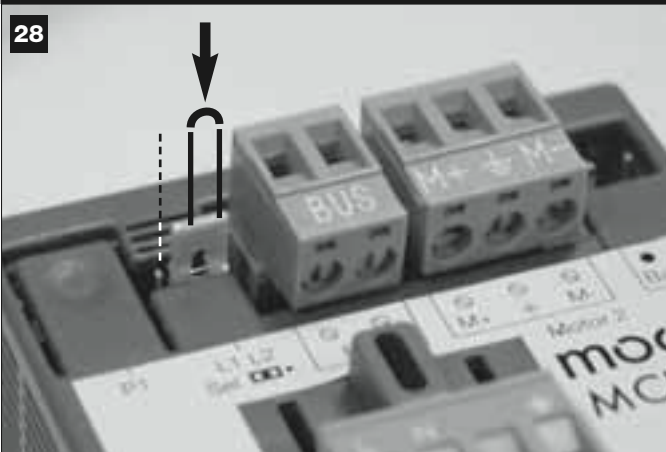
– (op de besturingseenheid) verwissel de plaats van de draden op de klemmenstrip gemerkt "**Motor 1**" (**afb. 30**).



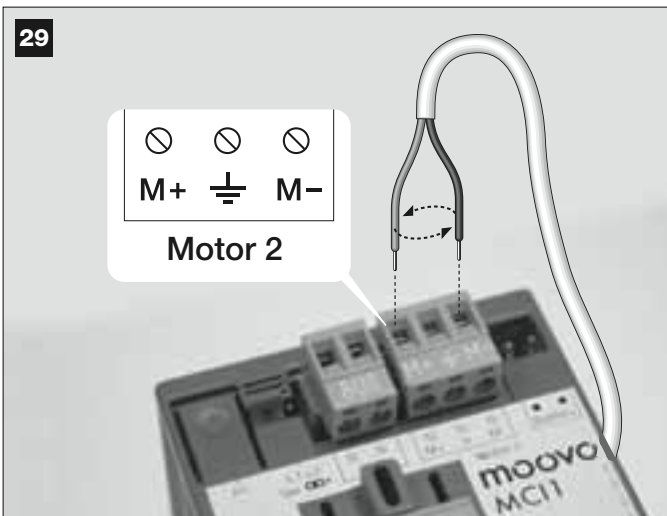
27



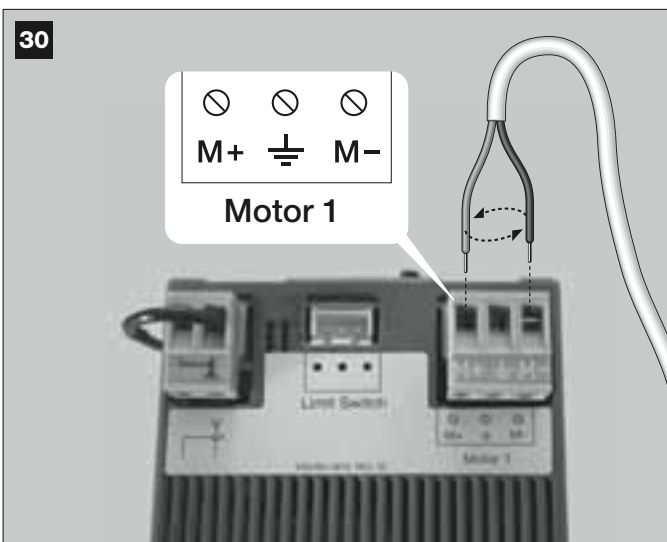
28



29



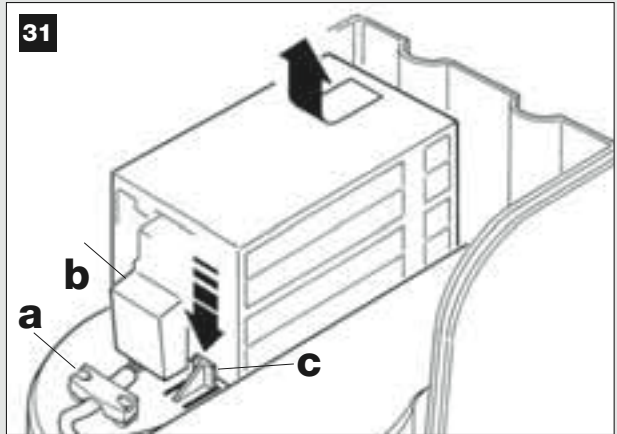
30



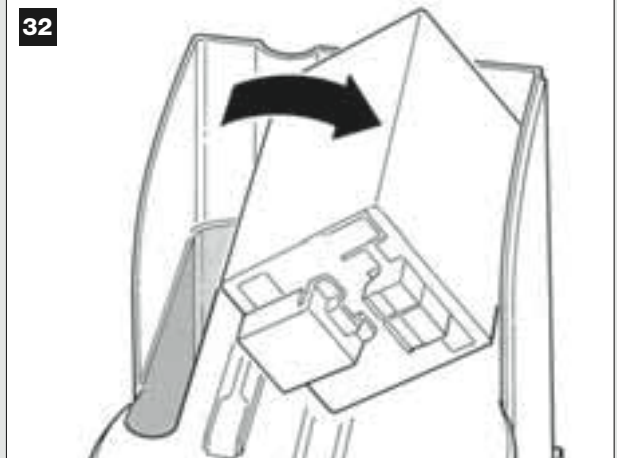
DE BESTURINGSEENHEID UIT DE REDUCTIEMOTOR VERWIJDEREN

01. Draai met behulp van een Amerikaanse schroevendraaier de schroeven van het kabelbandje los (afb. 31-a) en verwijder de dekplaat van de klemmenstrip (afb. 31-b) om de besturingseenheid gemakkelijker van haar plaats te halen.
02. Afb. 31-32: Druk met uw vinger op het lipje (afb. 31-c) dat de besturingseenheid vasthoudt en haal met uw andere hand de besturingseenheid van haar plaats door haar tegelijk naar voren en naar boven te duwen (2) zodat ze van haar geleider vrijkomt.

31

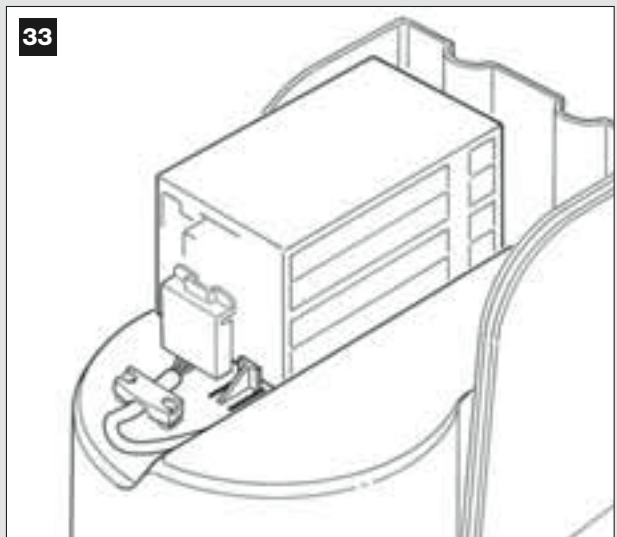


32



03. Afb. 33: na afloop van de werkzaamheden zet u de besturingseenheid als volgt weer op haar plaats terug: a) zet de besturingseenheid boven het lipje (afb. 31-c), druk haar naar beneden en trek haar tegelijkertijd naar achteren totdat u een klik hoort. Zet daarna de dekplaat weer op de klemmenstrip en zet het kabelbandje weer vast.

33



6.2 – INSTALLEREN EN AANSLUITEN VAN DE REDUCTIEMOTOR ZONDER BESTURINGSEENHEID

Als er in uw installatie twee reductiemotoren worden gebruikt, sluit u de reductiemotor zonder besturingseenheid op die waarin wel een besturingseenheid aanwezig is, op de volgende manier aan:

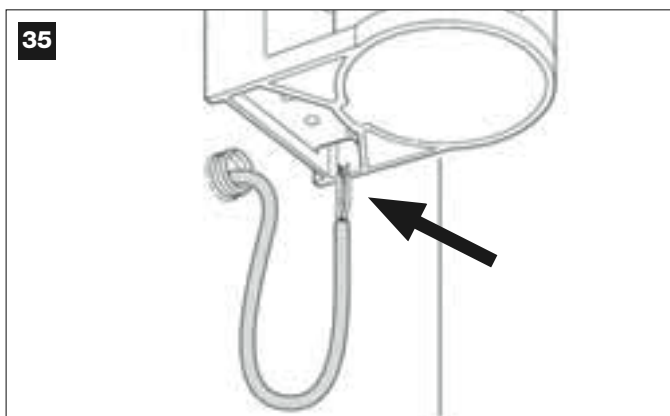
01. Afb. 34:

- Op de reductiemotor zonder besturingseenheid schroeft u met behulp van een Amerikaanse schroevendraaier de schroef op het bovendeel van de dekplaat los.
- Zet twee vingers op de twee holten in het achterdeel van de reductiemotor en haal de dekplaat naar boven waarbij u hem naar boven weg trekt; draai hierbij op het grondstuk waarop laatstgenoemde rust.



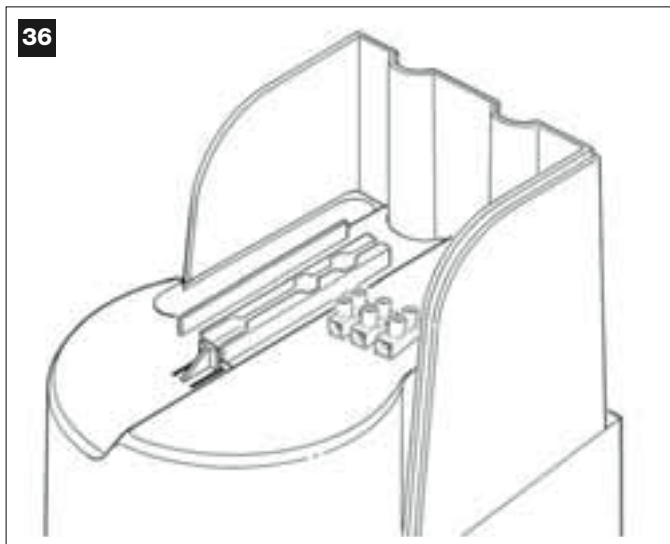
02. Afb. 35:

Steek de verbindingkabel in de opening op de onderzijde van de reductiemotor.



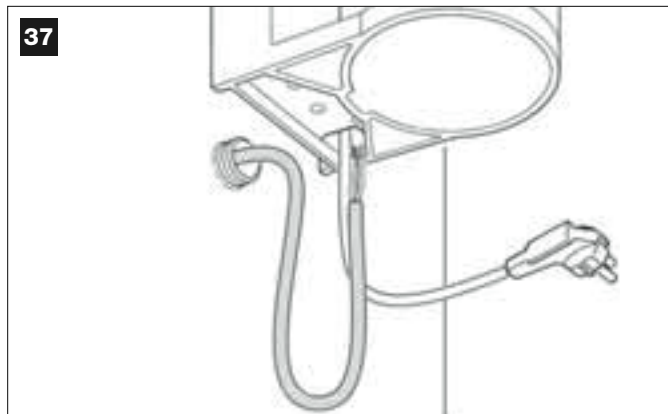
03. Afb. 36:

Sluit de draden van de kabel op de klemmenstrip aan en let daarbij op de aanwezige symbolen. Zet daarna de kabel met het kabelbandje vast.



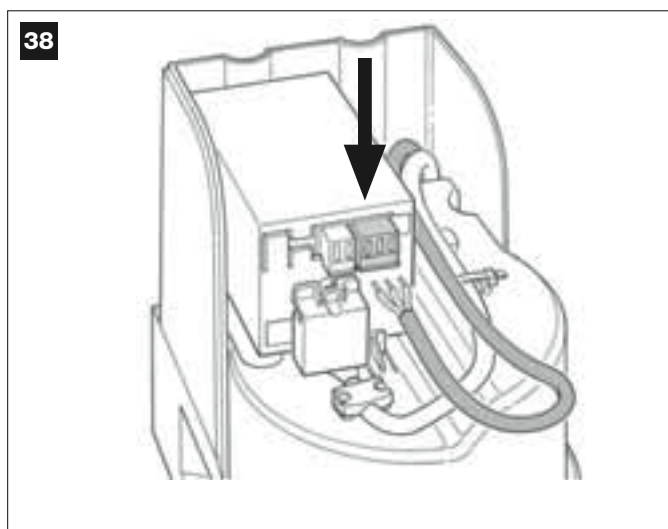
04. Afb. 37:

Op de reductiemotor met besturingseenheid haalt u de dekplaat weg en laat de verbindingkabel afkomstig van de andere reductiemotor door de opening op het onderste deel passeren.



05. Afb. 38:

- Haal de klemmenstrip voor de stroomvoorziening van zijn plaats om gemakkelijk de schroeven van de 3 klemmetjes los te kunnen schroeven.
- Verbind daarna de draden van de kabel, waarbij u de symbolen op de klemmenstrip volgt, en zet de klemmenstrip weer terug.



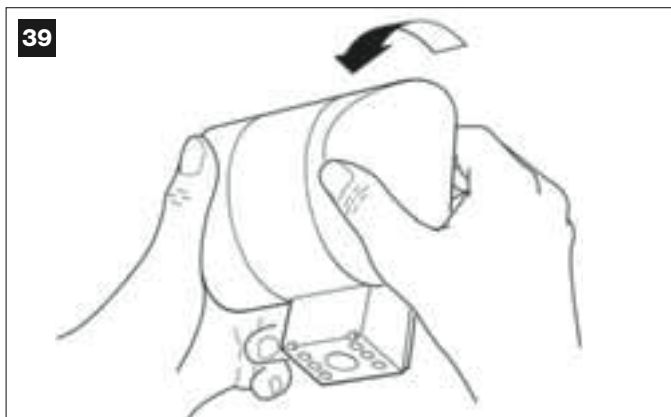
6.3 – INSTALLEREN EN AANSLUITEN VAN HET KNIPPERLICHT mod. MF

Dit licht signaleert dat er een manoeuvre wordt uitgevoerd. Bovendien is het aan het systeem voor zelfdiagnose van de besturingseenheid gekoppeld en signaleert via een eerder vastgesteld aantal opeenvolgende knipperingen het soort probleem (zie de paragraaf "Wat te doen als...").

Voor het installeren en aansluiten van het knipperlicht dient u als volgt te werk te gaan:

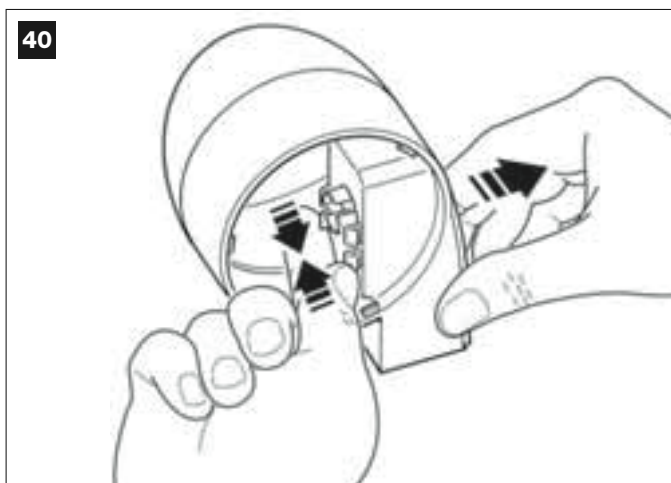
01. Afb. 39:

Haal een van de twee doorzichtige kappen weg door hem tegen de wijzers van de klok in te draaien en leg hem terzijde.



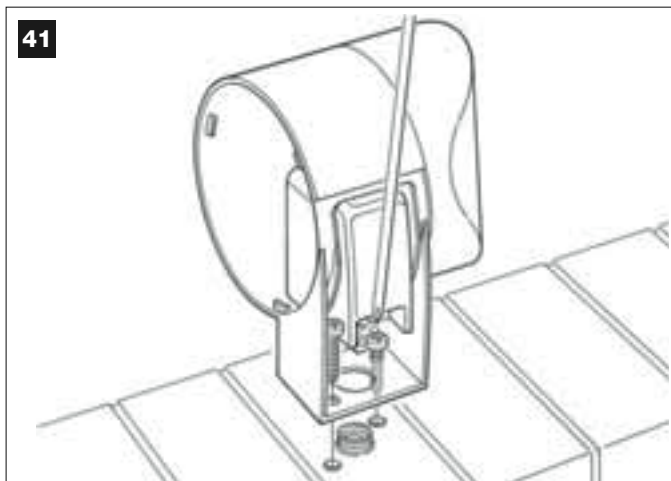
02. Afb. 40:

Druk met twee vingers van dezelfde hand tegelijk op de twee lipjes beneden en trek met de andere hand de buitendop van het knipperlicht weg.



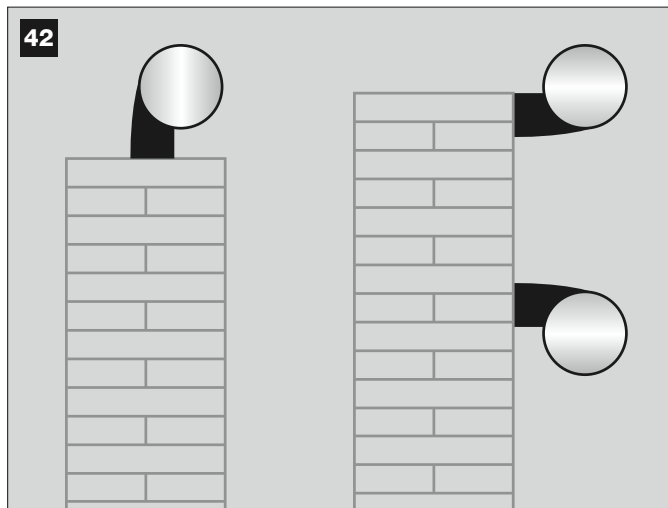
03. Afb. 41:

Maak met een boor op de montageplaat van de behuizing van het knipperlicht de schroefgaten voor montage en de openingen waar de kabels doorheen moeten lopen.



04. Afb. 42:

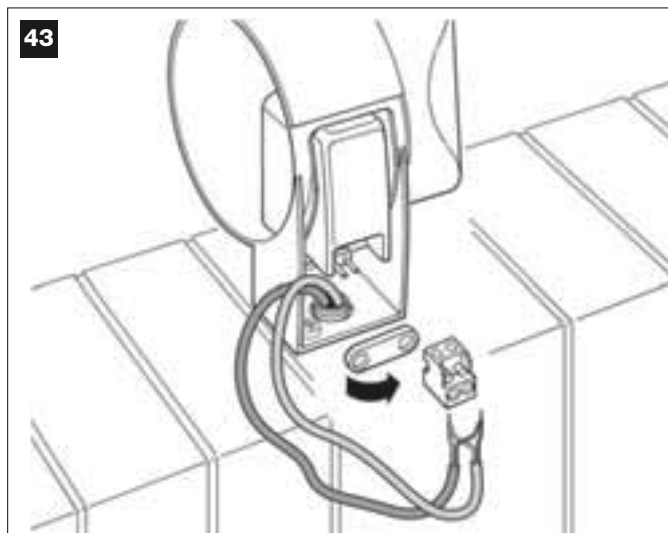
Let op! – monteer het product niet in een andere stand dan die welke is aangegeven.



05. Bevestig de behuizing van het knipperlicht met de daarvoor bestemde schroeven aan de muur en laat daarbij de kabels door de daarvoor bestemde opening lopen.

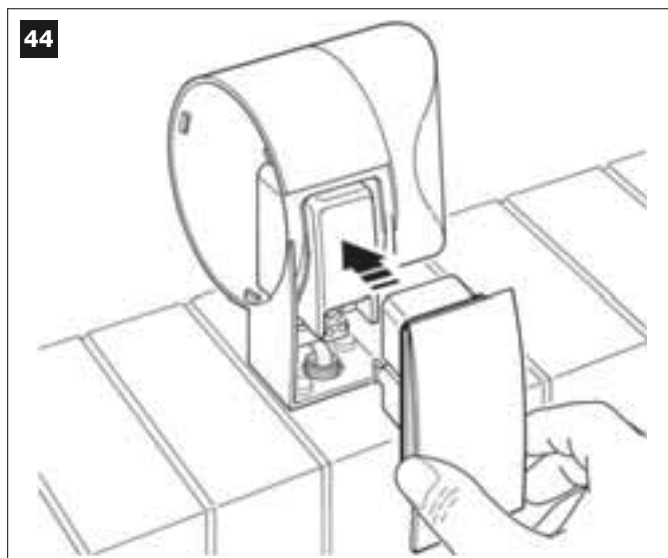
06. Afb. 43:

- Verbind de draden van de twee kabels met elkaar en zet ze op de klemmenstrip vast.
- Zet de kabel met de speciale kabelklem vast.



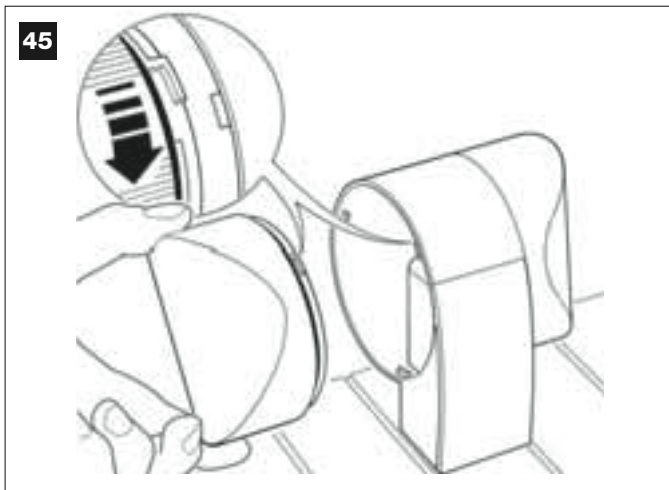
07. Afb. 44:

Breng de buitendop van het knipperlicht op zijn plaats aan en laat de lipjes daarvan vastklikken.



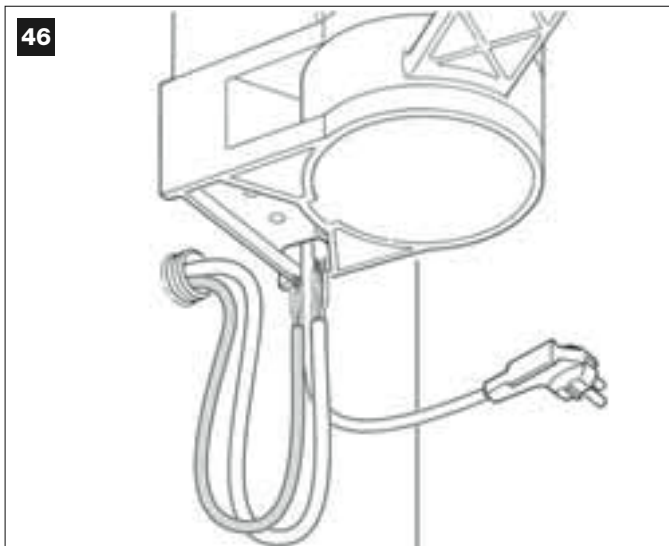
08. Afb. 45:

Zet de doorzichtige kap op zijn plaats terug en draai hem met de wijzers van de klok mee, waarbij u erop dient te letten dat de tandjes daarvan vast komen te zitten in die van de behuizing van het knipperlicht.



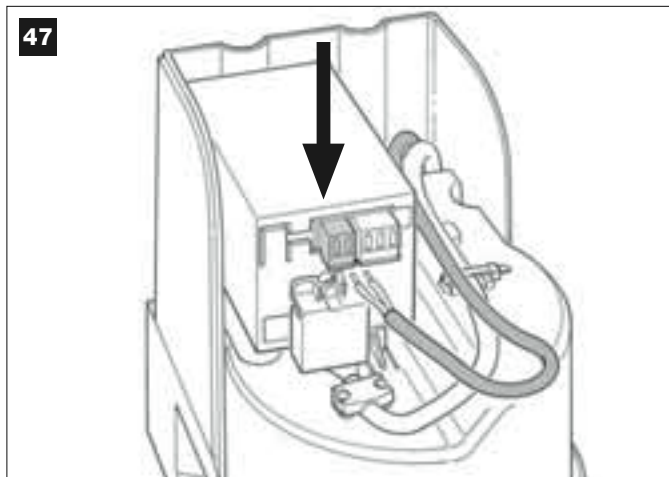
09. Afb. 46:

Steek op de reductiemotor met de besturingseenheid de verbindingkabel van het knipperlicht in de opening op het onderste vlak



10. Afb. 47:

- a) Haal op de besturingseenheid de klemmenstrip voor de BUS-aansluiting van zijn plaats naar buiten om de schroeven van de 2 klemmetjes gemakkelijk los te kunnen draaien.
- b) Verbind daarna de draden van de kabel, waarbij u de symbolen op de klemmenstrip volgt en zet daarna de klemmenstrip weer op zijn plaats terug.
- c) Draai tenslotte de kabeldoorvoer aan om de kabel op de reductiemotor vast te zetten.



6.4 – INSTALLEREN EN AANSLUITEN VAN DE FOTOCELLEN mod. MP

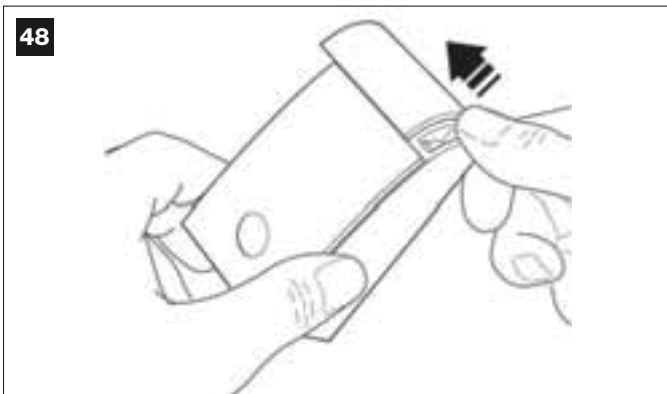
Een stel fotocellen bestaat uit een fotocel die zendt (TX genoemd) en een die ontvangt (RX genoemd). TX en RX worden door een etiket aan de binnenzijde van de dekplaat geïdentificeerd. De fotocellen worden elk aan een kant van de doorgang geïnstalleerd en worden met de BUS-kabel via het knipperlicht op de besturingseenheid aangesloten.

De fotocellen vormen een veiligheidsinrichting waarmee het mogelijk is obstakels te detecteren wanneer deze op de verbindingsslijn daartussen komen. Het is mogelijk op de installatie ten hoogste 6 stellen fotocellen voor de veiligheid bij te plaatsen en een stel fotocellen dat daarentegen bestemd is om alleen de *openingsmanoeuvre* aan te sturen (voor het installeren van verdere fotocellen gelieve u het kader "*Keuze van de werkingsmodus van het stel fotocellen*" te raadplegen).

Voor het installeren en aansluiten van een stel fotocellen dient u als volgt te werk te gaan:

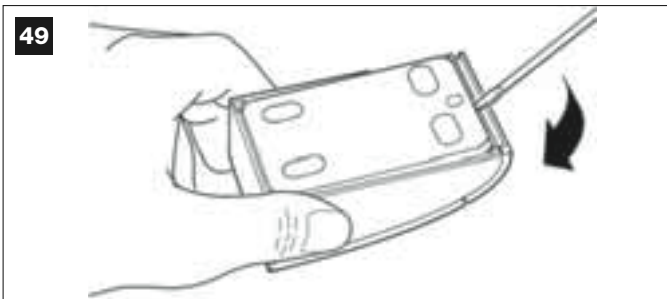
01. Afb. 48:

Verwijder het dekplaatje van de schroef door dat naar de kant te schuiven zoals dat op de afbeelding te zien is.



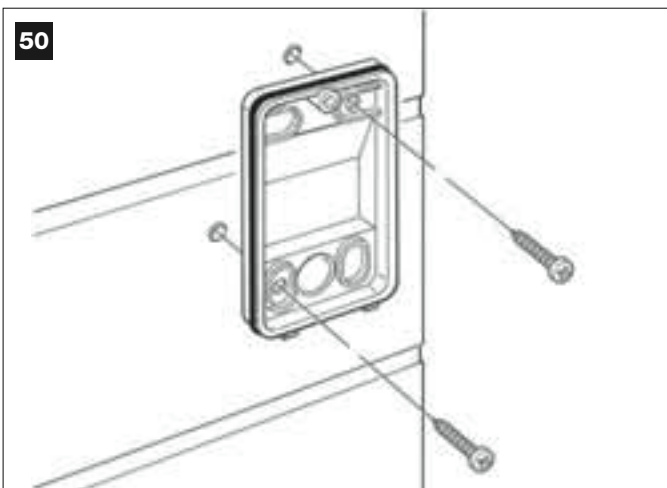
02. Afb. 49:

Open met behulp van een schroevendraaier en haal de montageplaat van de fotocel los.



03. Afb. 50:

- Maak met een boor op de montageplaat de openingen waar de verbindingskabel doorheen moet lopen.
- Bevestig de montageplaat van de fotocel met de speciale schroeven aan de muur en laat daarbij de kabels door de daarvoor bestemde opening lopen.

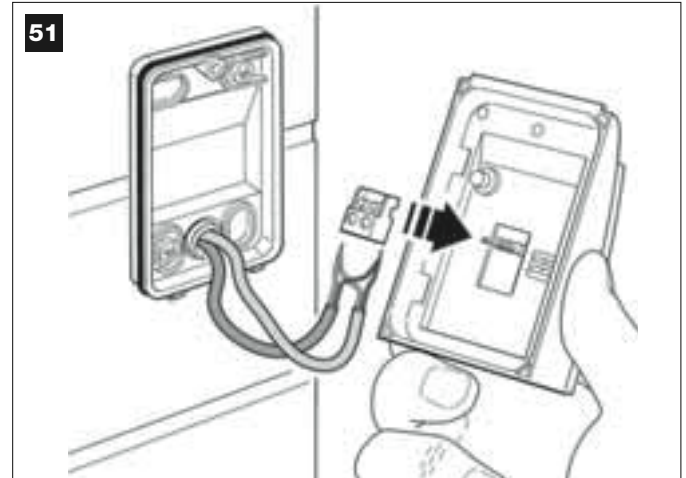


04. Afb. 51:

Verbind de draden van de twee kabels met elkaar en zet ze op de klemmenstrip vast.

- Steek de klemmenstrip op de stekker op de achterzijde van de fotocel.

BELANGRIJK! – Voordat u de fotocel sluit, dient u met behulp van het speciale elektrische bruggetje de werkingsmodus van de fotocellen te selecteren (zie het kader "*Keuze van de werkingsmodus van het stel fotocellen*").



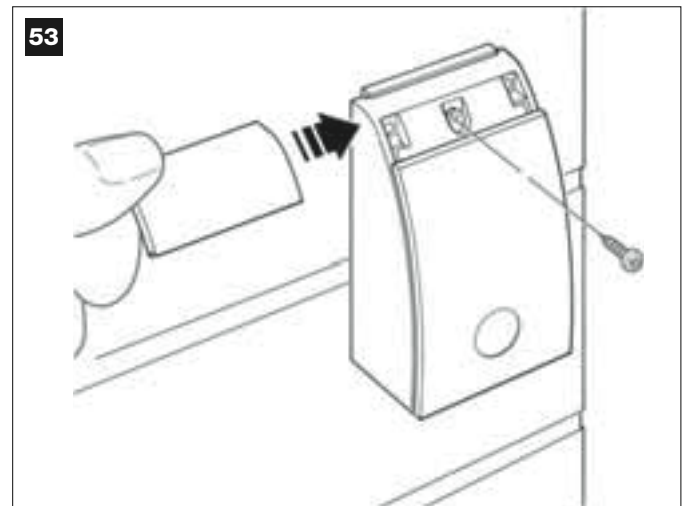
05. Afb. 52:

Zet de dekplaat terug en let erop dat de tandjes daarvan vast komen te zitten in die van de montageplaat van de fotocel.



06. Afb. 53:

Bevestig de dekplaat van de fotocel met de meegeleverde schroef op de montageplaat. Zet tenslotte het afdekdopje van de schroef terug zoals dat op de afbeelding te zien is.



SELECTEREN VAN DE MANIER VAN WERKEN VAN HET STEL FOTOCELLEN

In een installatie van poorten met twee draaiende vleugels is het op elk gewenst moment mogelijk er andere stellen fotocellen bij te plaatsen. Er kunnen ten hoogste 6 stellen fotocellen met veiligheidsfunctie bijgeplaatst worden (zoals voorbeeld **A-B-C-D-E-F** op **afb. 54**) en 1 stel met aansturingfunctie (zoals voorbeeld **G** op **afb. 54**) dat alleen de *openingsmanoeuvre* uitvoert. Om deze stellen fotocellen op de juiste plaats aan te brengen, dient u **afb. 54** te raadplegen.

Om de besturingseenheid elk afzonderlijk stel fotocellen en de specifieke daaraan gekoppelde functie te laten herkennen, is het noodzakelijk de adressering daarvan uit te voeren door een of twee elektrische bruggetjes (**tabel 3**) of zonder een enkel elektrisch bruggetje (**tabel 3**) aan te brengen. Op deze manier zal de besturingseenheid, wanneer zij de imput van de fotocellen krijgt, de motor de manoeuvre in kwestie laten uitvoeren.

De handelingen in verband met de adressering dienen zowel op de fotocel TX als op de fotocel RX uitgevoerd te worden, waarbij u als volgt te werk dient te gaan:

Voor de fotocellen "A-B-C-D-E-F"

Denk aan de onderstaande aanbevelingen:

- **de elektrische bruggetjes moeten worden geplaatst op de twee fotocellen waarbij dezelfde configuratie moet worden gebruikt;**
- **een configuratie die reeds op een stel fotocellen is gebruikt, mag NIET op andere fotocellen worden gebruikt.**

Voor het programmeren van deze stellen fotocellen (als die in uw installatie aanwezig zijn) dient u als volgt te werk te gaan:

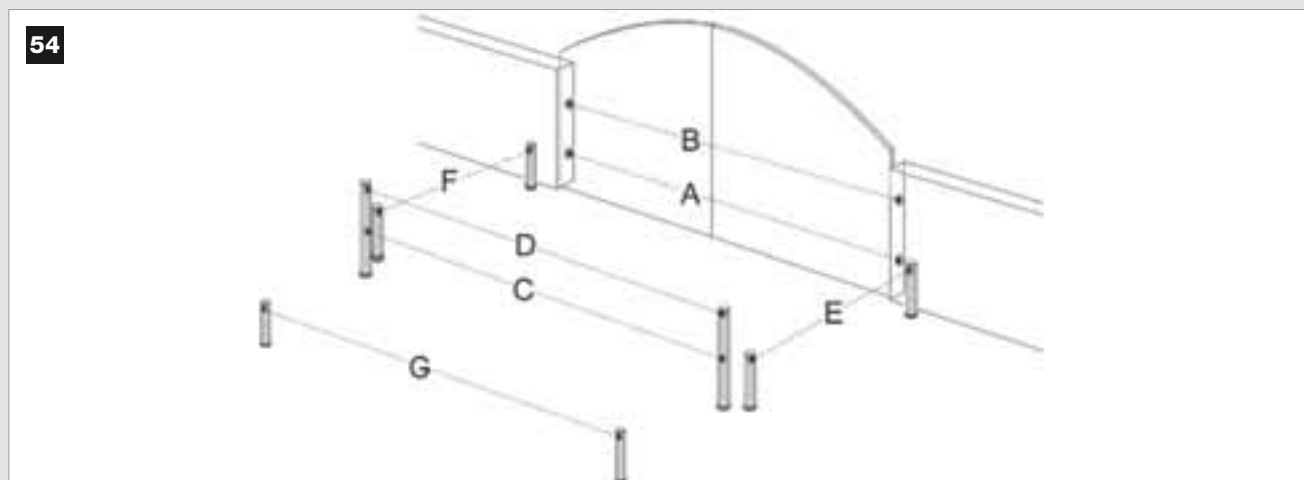
- 01.** Open de dekplaat van de fotocel.
- 02.** Zoek op **afb. 54** de plaats waar de fotocellen, waarop u wilt werken, zijn geïnstalleerd.
- 03.** Kies in **tabel 3** de gewenste configuratie en breng de elektrische bruggetjes in de twee fotocellen aan.

Voor de fotocellen "G"

Let op de volgende aanbevelingen:

- Deze fotocellen hebben een andere rol dan de andere (zij sturen de automatisering aan) en daarom dienen zij op een bepaalde afstand van de andere geplaatst te worden om interferentie te voorkomen.
- Deze fotocellen blijven ook onder spanning staan wanneer de automatisering niet gebruikt wordt; in geval van stroomuitval zal deze wanneer er een bufferbatterij in de installatie aanwezig is, de normale duur verminderen (zie STAP 6.6.).

Voor het programmeren van deze stellen fotocellen (indien die in uw installatie aanwezig zijn), is het niet nodig een elektrisch bruggetje aan te brengen (zie **tabel 3**).



TABEL 3

Stel fotocellen	Elektrische bruggetjes	Stel fotocellen	Elektrische bruggetjes
A Fotocellen h = 50 cm (deze treden in werking wanneer de poort in de sluitfase is)		E Fotocellen rechts (deze treden in werking wanneer de poort in de openingsfase is)	
B Fotocellen h = 100 cm (deze treden in werking wanneer de poort in de sluitfase is)		F Fotocellen links (deze treden in werking wanneer de poort in de openingsfase is)	
C Fotocellen h = 50 cm (deze treden in werking wanneer de poort in de openings-of sluitfase is)		G Fotocellen met alleen de instructie voor opening van de poort	
D Fotocellen h = 100 cm (deze treden in werking wanneer de poort in de openings-of sluitfase is)			

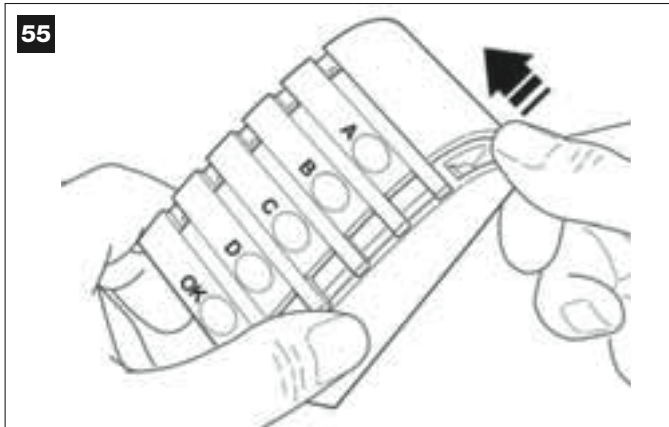
6.5 – INSTALLEREN EN AANSLUITEN VAN HET TOETSENpaneel mod. MK

Het toetsenpaneel voor bediening van de automatisering is een inrichting die aan de wand wordt bevestigd en die de automatisering via een Bus-aansluiting aanstuurt. Het is mogelijk ten hoogste 4 toetsenpanelen in een enkele installatie aan te sluiten en de inrichting kan geprogrammeerd worden om op twee verschillende manieren te werken: *traditionele modus* (elke toets voert een specifieke daaraan gekoppelde functie uit – *modus welke in de fabriek wordt ingesteld*) en *veiligheidsmodus* (voor het aansturen van de manoeuvre is het noodzakelijk een geheime door de gebruiker ingestelde toetscombinatie in te tikken). Het toetsenpaneel is verlicht voor die situaties dat er weinig licht is.

Voor het installeren en aansluiten van het toetsenpaneel dient u als volgt te werk te gaan:

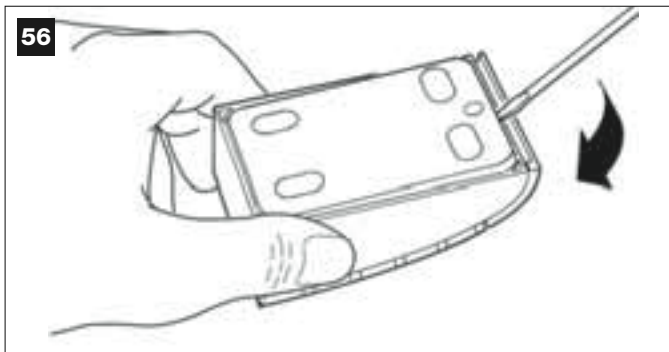
01. Afb. 55:

Vervijder de dekplaat van het toetsenpaneel door hem naar de kant te duwen, zoals u op de afbeelding kunt zien.



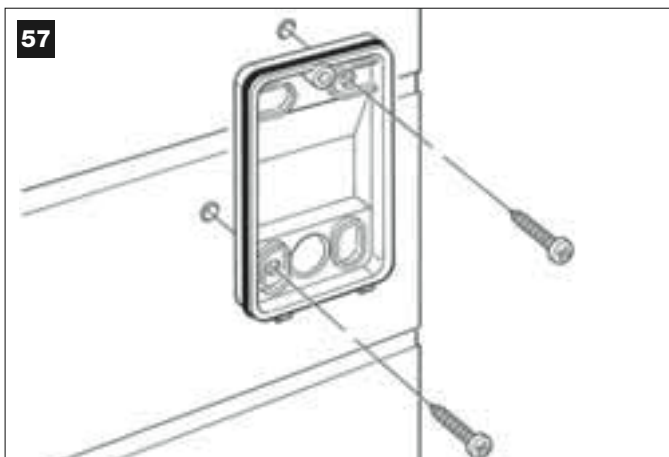
02. Afb. 56:

Maak met behulp van een schroevendraaier de montageplaat van het toetsenpaneel open en haal hem los.



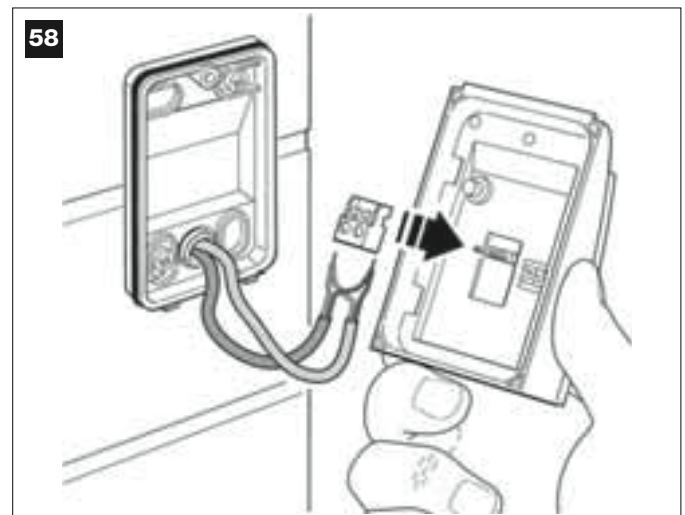
03. Afb. 57:

- Maak met een boor op de montageplaat de openingen waar de verbindingkabel doorheen moet lopen.
- Bevestig de montageplaat van het toetsenpaneel met de speciale schroeven aan de muur en laat de kabel daarbij door de daarvoor bestemde opening lopen.



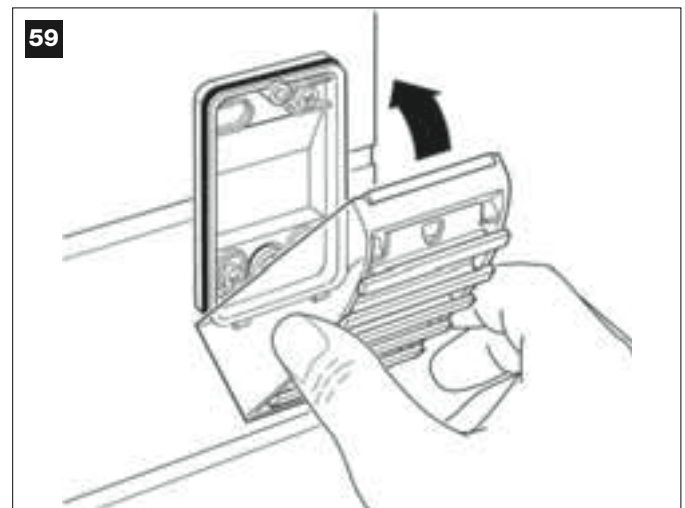
04. Afb. 58:

- Sluit de draden van de kabel op de desbetreffende klemmetjes aan.
- Steek het contact van de kabel op de stekker op de achterzijde van het toetsenpaneel.



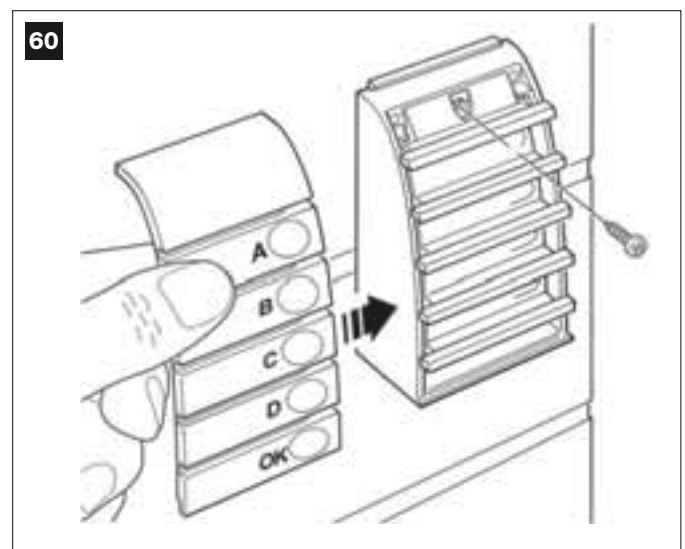
05. Afb. 59:

Zet de dekplaat terug en zorg er daarbij voor dat de tandjes daarvan vast komen te zitten in die van de montageplaat van de fotocel.



06. Afb. 60:

Zet de dekplaat van het toetsenpaneel met behulp van de meegeleverde schroef op de montageplaat vast. Zet daarna het afdekdopje van de schroef weer terug zoals de afbeelding laat zien.



6.6 – INSTALLEREN VAN DE BUFFERBATTERIJ mod. MB

De bufferbatterij is een oplaadbare batterij, met een spanning van 12V en een vermogen van 2100mAh. Dit kan bijzonder nuttig zijn wanneer er plotseling stroomuitval optreedt (*black-out*). De reductiemotor met besturingseenheid biedt de mogelijkheid 1 batterij te installeren.

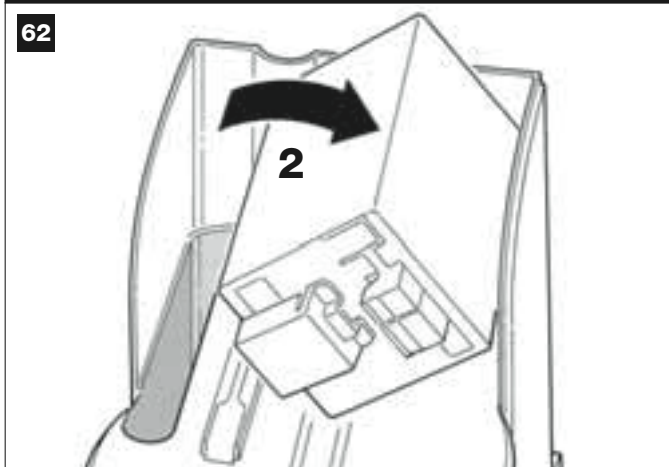
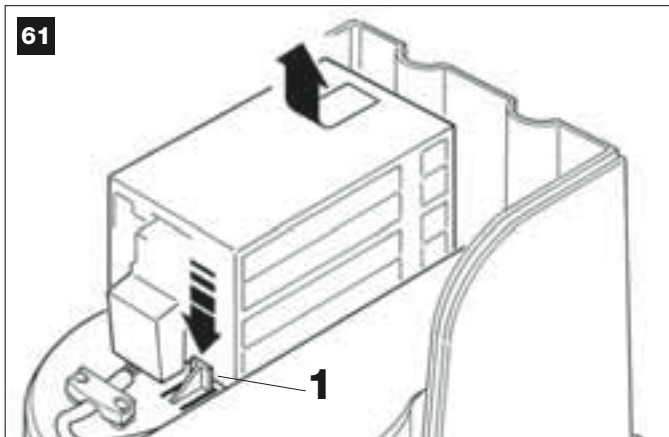
Al naar gelang het type en het gewicht van de poort kan de batterij wanneer zij opgeladen is, een autonomie van circa 6 - 7 opeenvolgende cycli manoeuvres garanderen (1 cyclus = *Opening - Sluiting*).

De ruimte voor de bufferbatterij bevindt zich onder de besturingseenheid; voor het installeren daarvan dient u dus als volgt te werk te gaan:

01. Draai met behulp van een Amerikaanse schroevendraaier de schroeven van het kabelbandje los om de stroomkabel vrij te maken en de besturingseenheid gemakkelijker van haar plaats te kunnen halen.

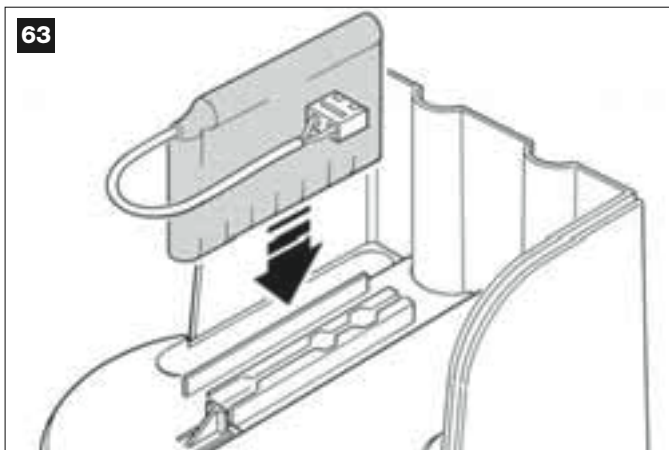
02. Afb. 61-62:

Druk met uw vinger op het lipje (1) dat de besturingseenheid vasthoudt en haal met uw andere hand de besturingseenheid van haar plaats door haar tegelijk naar voren en naar boven te duwen (2) zodat ze van haar geleider vrijkomt.



03. Afb. 63:

Steek de batterij in de daarvoor bestemde ruimte onder de besturingseenheid.

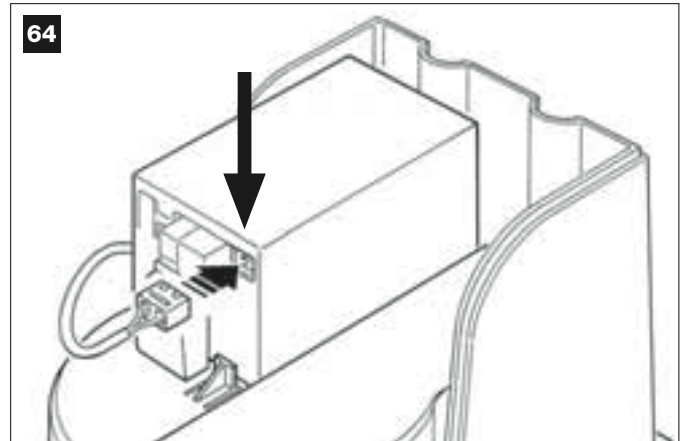


04. Zet de besturingseenheid als volgt weer op haar plaats terug:
a) zet de besturingseenheid boven haar geleider
b) druk haar naar beneden en trek haar tegelijkertijd naar achteren totdat u een klik hoort.

LET OP! – Het volgende punt (05 – elektrische aansluiting van de bufferbatterij op de besturingseenheid) mag alleen worden uitgevoerd, nadat alle installatie- en programmeerwerkzaamheden zijn afgesloten, daar deze batterij een elektrische stroomvoorziening voor geval van nood is.

05. Afb. 64:

Steek nu het contact van de batterij op de stekker van de besturingseenheid.



AANBEVELINGEN

Voor een lange levensduur van de bufferbatterij is het raadzaam onderstaande aanbevelingen op te volgen:

- De bufferbatterij is een noodinrichting: het is dus raadzaam deze alleen te gebruiken indien dat nodig is en haar niet teveel te gebruiken. Wanneer u haar teveel gebruikt, kan dit ten gevolge hebben dat de elementen oververhit raken, waardoor zij op de duur minder lang dan normaal zouden kunnen duren.
- Laat de automatisering niet langer dan één dag op de bufferbatterij werken: de elementen daarvan zouden oververhit raken en teveel ontladen raken waardoor de levensduur van de batterij zou kunnen afnemen. Als u dan ook voor langere tijd niet op de plaats aanwezig bent waar de automatisering is geïnstalleerd, is het raadzaam het klemmetje van de bufferbatterij dat op de besturingseenheid is aangesloten, los te halen.
- Wanneer de bufferbatterij helemaal leeg is, heeft ze 24 uur nodig om weer helemaal te worden opgeladen.
- Indien de automatisering voor langere tijd niet wordt gebruikt verdient het de voorkeur haar te verwijderen en op een droge plaats te bewaren; dit om lekkage van schadelijke stoffen uit de optionele batterij te voorkomen.

Afvalverwerking van de batterij

Let op! – Een lege batterij bevat vervuilende stoffen en mag dus niet met het gewone huisval worden weggegooid. Ze dient te worden verwerkt via "gescheiden" inzameling, zoals dat voorzien is in de regelgeving, die in uw gebied van kracht is.

AANSLUITING VAN DE STROOMVOORZIENING

STAP 7

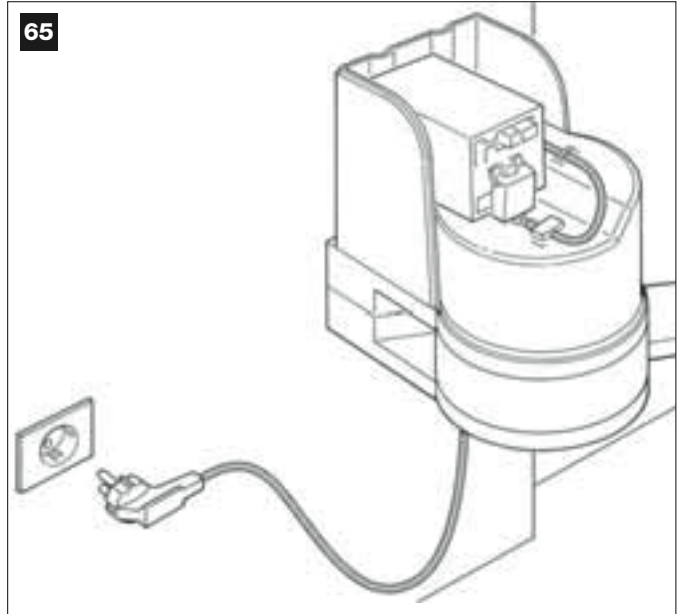
AANBEVELINGEN!

– De bij het product meegeleverde voedingskabel van PVC is geschikt voor installatie binnenshuis; voor gebruik buitenshuis dient u de kabel te beschermen met een beschermende en isolerende leiding of dient u de kabel met een andere van bijvoorbeeld het type H07RN-F te vervangen.

– De definitieve aansluiting van de automatisering op het elektriciteitsnet of de vervanging van de meegeleverde kabel mag uitsluitend door een bevoegde en ervaren electricien worden verricht met inachtneming van de veiligheidsregels zoals die in dat gebied van kracht zijn en de aanwijzingen in het kader “*Werkzaamheden die aan een bevoegde technicus zijn voorbehouden*”.

Voor het uitvoeren van werkingstests en het programmeren van de automatisering, zet u de besturingseenheid onder stroom door de stekker van de meegeleverde voedingskabel in een elektrisch stopcontact (afb. 65) te steken. Als het stopcontact zich ver van de automatisering bevindt, kunt u in deze fase een verlengsnoer gebruiken.

65



EERSTE INBEDRIJFSTELLING EN CONTROLE VAN DE ELEKTRISCHE AANSLUITINGEN

STAP 8

LET OP! – Alle hieronder in deze handleiding beschreven handelingen zullen worden verricht op elektrische circuits die onder stroom staan; de manoeuvres kunnen dus gevaarlijk zijn! Let bij het werk dus goed op!

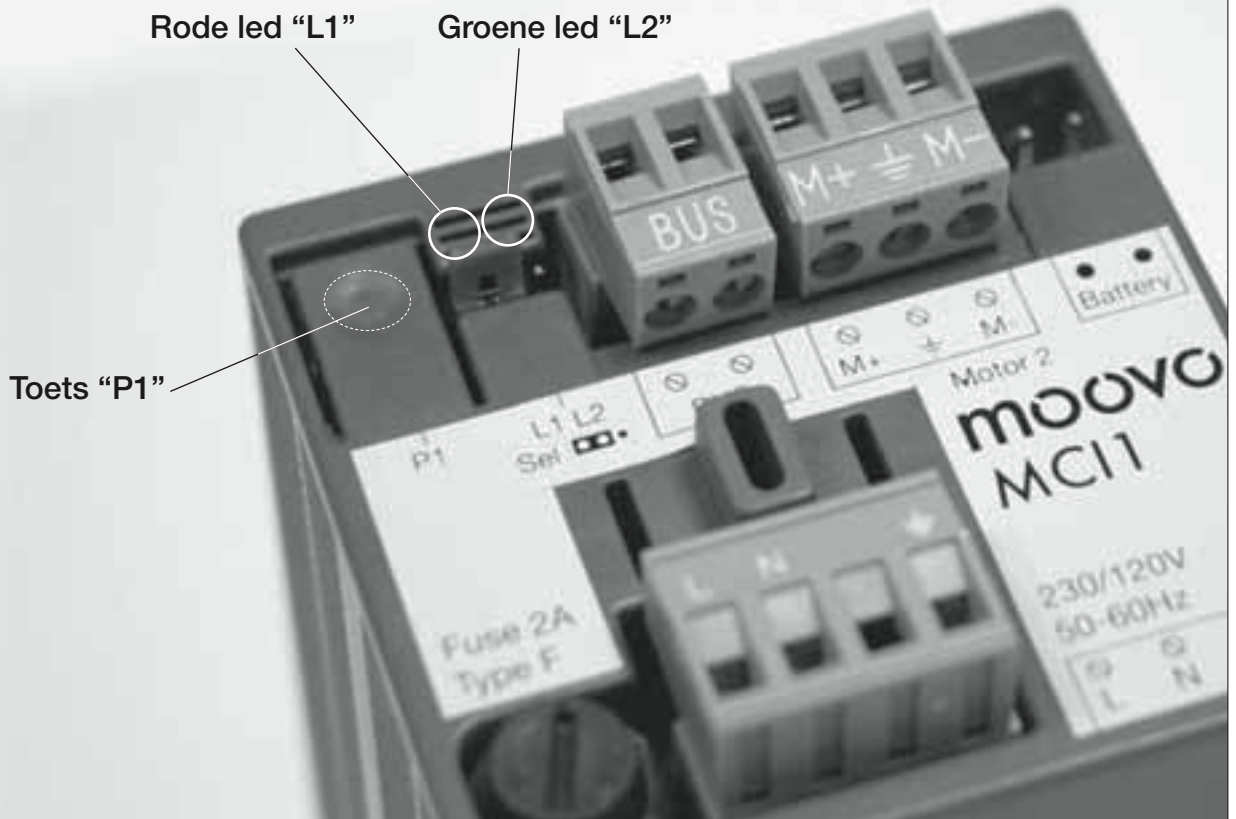
Nadat u de besturingseenheid (afb. 65) onder spanning hebt gezet, zullen de rode en de groene led (afb. 66) eventjes gaan knipperen.

Na afloop van deze fase, zal de rode led met een regelmatig ritme gaan

knipperen. Dit betekent dat de besturingseenheid correct functioneert.

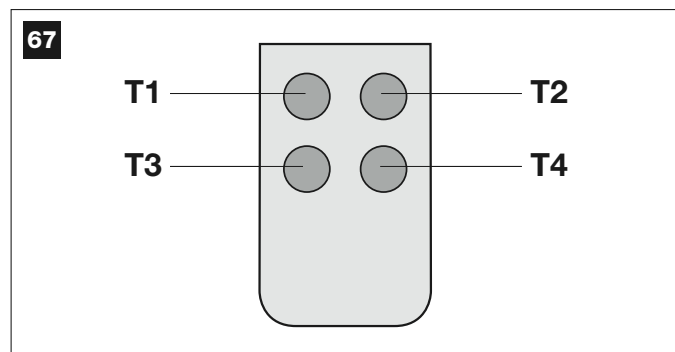
Let op! – Als de rode led niet knippert zoals hier beschreven is, is het raadzaam de elektrische stroomtoevoer naar de besturingseenheid te onderbreken en de verrichte aansluitingen nauwkeuriger te controleren (raadpleeg ook het hoofdstuk “*Wat te doen als...*”).

66



AANBEVELINGEN bij het programmeren:

- Het verdient aanbeveling **eerst de procedures te lezen** en **daarna de handelingen te verrichten**, waarbij de passages van elke procedure **achter elkaar dienen te worden uitgevoerd**.
- In deze handleiding worden de **toetsen van de zenders met nummers aangegeven**. Raadpleeg dan ook **afb. 67** voor het verband tussen deze nummers en de **toetsen** van de zender



STAP 9

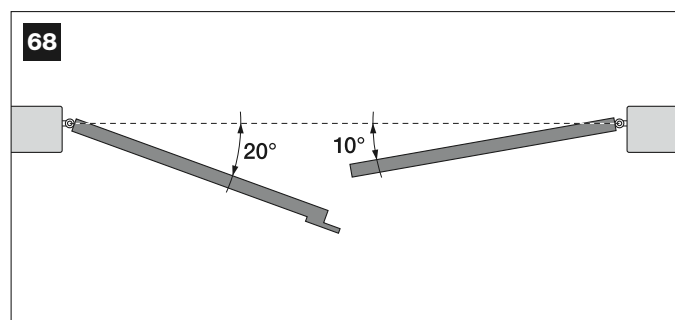
9.1 – GEHEUGENOPSLAG VAN DE INRICHTINGEN DIE VIA EEN “BUS”-KABEL ZIJN AANGESLOTEN EN VAN DE EINDPOSITIES “0” EN “1” VAN DE VLEUGELS

Programmeer de besturingseenheid en voer onderstaande handelingen in deze volgorde uit:

N.B. – Tijdens het uitvoeren van de procedure kunt u op elk gewenst moment deze verlaten (zonder de verrichte handelingen in het geheugen op te slaan) door **1 maal** op de toets **“P1”** op de besturingseenheid (**afb. 66**) te drukken. Vanaf punt 07 kunt u de procedure ook verlaten als gevolg van inwerkingtreding van een veiligheidsinrichting (fotocellen of dergelijke...).

01. (op de poort)

Ontgrendel met de daarvoor bestemde sleutel de twee reductiemotoren (zie het hoofdstuk **“Handmatig vergrendelen of ontgrendelen van de reductiemotor”** in de sectie **“TECHNISCHE DOCUMENTATIE”**) en zet de twee vleugels van de poort handmatig op de op **afb. 68** aangegeven stand. Vergrendel daarna opnieuw de reductiemotoren.



02. (op de besturingseenheid)

Houd toets **“P1”** tenminste **5 seconden** ingedrukt, totdat de groene led uitgaat en de rode led aangaat (*dit lampje blijft aan tot het einde van de procedure*). Laat daarna de toets los en verricht de volgende handelingen.

03. (op de fotocellen voor de veiligheid)

N.B. – De tijd die voor deze controle ter beschikking staat, is onbeperkt.

Controleer of dit soort fotocellen goed werken door te kijken of de daarbij behorende led **langzaam knippert**. Als die onafgebroken brandt of uit is, dient u de uitlijning van de fotocellen te corrigeren waarbij u er voor probeert te zorgen dat de led zo langzaam mogelijk knippert (*hoe langzamer de led knippert, hoe beter de uitlijning tussen de fotocellen*).

- **licht knippert met een langzaam ritme** = *correcte uitlijning van de fotocellen*;

- **licht brandt onafgebroken** = *uitlijning niet correct (bekijk de uitlijning van de fotocellen opnieuw)*;
- **licht uit** = *foutieve installatie van de fotocellen (controleer de “Bus”-aansluiting van de fotocellen)*.

04. (op de fotocellen voor aansturing)

Activeer dit type fotocellen (als die deel uitmaken van de installatie), door **slechts één keer** de straal daartussen te onderbreken. Bevestiging van herkenning hiervan wordt door het knipperlicht (*1 knippering*) en het toetsenpaneel (*1 beep*) gegeven, als die deel uitmaken van de installatie.

05. (op de toetsenpanelen)

Activeer de toetsenpanelen (als die deel uitmaken van de installatie) door op elk daarvan **slechts één maal** op een enkele door u te kiezen toets te drukken.

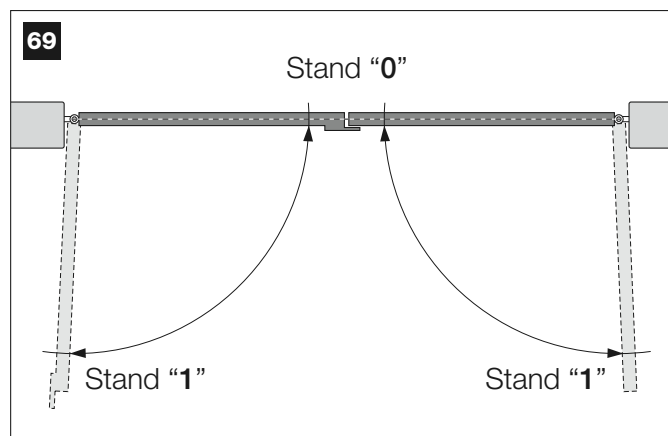
Bevestiging van herkenning hiervan wordt door 2 opeenvolgende geluidsignalen (*beep*) van het toetsenpaneel en een knippering van het knipperlicht gegeven, als die deel uitmaken van de installatie op de **Toetsenpanelen**

06. (op de besturingseenheid)

Houd toets **“P1”** tenminste **5 seconden** ingedrukt, totdat de groene led uitgaat. Laat daarna de toets los.

07. (op de poort)

N.B. – *onderstaande manoeuvres geven de besturingseenheid de mogelijkheid de posities met betrekking tot punt “0” (Helemaal gesloten) en tot punt “1” (Helemaal open) automatisch in het geheugen op te slaan, zoals dat op **afb. 69** te zien is.*



Nu zal de besturingseenheid uit zichzelf 3 manoeuvres in gang zetten die ook door het knipperlicht worden gesignaleerd:

- 1 - **Sluiting** van vleugel 2 en daarna sluiting van vleugel 1.
- 2 - **Opening** van de twee vleugels.
- 3 - **Sluiting** van de twee vleugels.

Na afloop van de laatste manoeuvre gaat de rode led uit (= *procedure beëindigd*) en gaat daarna weer met een regelmatig ritme knipperen.

Let op! – **Zodra de eerste manoeuvre van start gaat, dient u onmiddellijk het volgende te controleren:**

- a - **Vleugel 2 komt eerder dan vleugel 1 in beweging;**
- b - **Vleugel 2 beweegt zich in de richting van sluiting.**

Als het resultaat van deze controles niet overeenkomt met wat hier beschreven is, dient u de procedure onmiddellijk te beëindigen door **1 maal** op toets **“P1”** op de besturingseenheid te drukken. Los vervolgens met behulp van STAP 6.1 het probleem **“a”** en het probleem **“b”** op waarvoor u STAP 6.1. gelieve te raadplegen. Voer tenslotte de procedure 9.1 helemaal opnieuw uit.

Latere geheugenopslag van verdere via de “Bus”-kabel aangesloten inrichtingen

Als u later andere inrichtingen die via de Bus op de besturingseenheid zijn aangesloten, wilt installeren en in het geheugen wilt opslaan en **de procedure 9.1 blijkt in het verleden reeds uitgevoerd te zijn**, is het mogelijk de nieuwe inrichtingen met dezelfde procedure in het geheugen op te slaan; u begint hiervoor bij punt 01 en gaat tot punt 06. Aan het einde hiervan drukt u **1 maal** op toets **“P1”** op de besturingseenheid om de opslagprocedure te beëindigen.

9.2 – GEHEUGENOPSLAG VAN DE ZENDER mod. MT4

Let op! – *Het is raadzaam de procedure eerst te lezen en daarna de handelingen in kwestie uit te voeren, waarbij u deze achter elkaar dient uit te voeren, zonder meer dan 10 seconden te laten verlopen tussen het moment dat u een toets los laat en dat u op de volgende drukt.*

Om de automatisering met de zender te kunnen aansturen, dienen de toetsen daarvan in het geheugen van de besturingseenheid te worden opgeslagen.

Bij deze manier van geheugenopslag kunt u aan elke toets de door u gewenste instructie geven, waarbij u uit onderstaande functies kunt kiezen:

1 = Stap-voor-stap: komt overeen met de reeks ... *Open - Stop - Sluit - Stop ...* De eerste instructie activeert het *Openen*; de daaropvolgende geeft, terwijl de vleugel in beweging is, de instructie *Stop*; de derde het *Sluiten*; de vierde geeft, terwijl de vleugel in beweging is, de instructie *Stop* en zo voort...

2 = Stap-Open: komt overeen met de reeks ... *Open - Stop - Sluit - Open ...* De eerste instructie activeert het *Openen*; daaropvolgende geeft, terwijl de vleugel in beweging is, de instructie *Stop*; de derde het *Sluiten*; de vierde geeft, terwijl de vleugel in beweging is, de instructie *Open* en zo voort...

3 = Gedeeltelijke opening: komt overeen met de gehele van één enkele vleugel. Deze instructie heeft alleen gevolg als **vleugel 2**, waarop de andere vleugel komt, helemaal dicht is.

4 = Opening woonblok: deze instructie is uitgedacht voor gebruik in woonblokken; hiervoor wordt op alle zenders van de bewoners alleen de toets "opening woonblok" geprogrammeerd. Deze instructie werkt als volgt:

- als de instructie wordt verzonden terwijl er een *openingsmanoeuvre* wordt uitgevoerd, gaat de manoeuvre door;
- als de instructie wordt verzonden terwijl er een *sluitmanoeuvre* wordt uitgevoerd, wordt de manoeuvre onderbroken en gaat er een *openingsmanoeuvre* van start;
- als de instructie wordt verzonden, terwijl de poort stil staat en helemaal open is, gaat er een *sluitmanoeuvre* van start.

N.B. – *Het is ook mogelijk de poort automatisch te laten sluiten; dit doet u door de gewenste pauzetijd te programmeren (zie hoofdstuk 10).*

Een enkele uitvoering van de procedure slaat **een enkele toets** van de zender in het geheugen op; deze kan zowel in het geheugen van op deze besturingseenheid alsook van besturingseenheden van andere automatiseringen worden opgeslagen. Het geheugen van de besturingseenheid kan tot 150 toetsen bevatten.

Voor elke toets die u in het geheugen wilt opslaan, dient u onderstaande procedure opnieuw uit te voeren.

- 01.** Beslis welke **toets** op de zender u in het geheugen wilt opslaan (voorbeeld: *toets T3*).
- 02.** Beslis welke **instructie** u uit de eerder opgesomde instructies aan de uitgekozen toets wilt koppelen (voorbeeld: *instructie "2"*).
- 03.** Druk op toets "**P1**" (op de besturingseenheid) *zoveel maal als overeenkomt met het nummer van de gewenste instructie (in ons voorbeeld, "2" maal)* en controleer of de groene led hetzelfde aantal kortdurende knipperingen afgeeft (deze worden in een regelmatig ritme herhaald).
- 04.** (binnen 10 seconden) Houd op de zender de toets die u in het geheugen wilt opslaan (*in ons voorbeeld, toets T3*). tenminste 2 seconden lang ingedrukt.

Als de geheugenopslag tot een goed einde is gekomen zal de groene led 3 langdurige knipperingen afgeven (= *geheugenopslag ok*). **N.B.** – *Voor dat er 10 seconden om zijn, is het mogelijk een toets van een NIEUWE zender met dezelfde instructie in het geheugen op te slaan (dit is handig wanneer er bijvoorbeeld meerdere zenders op dezelfde besturingseenheid in het geheugen moeten worden opgeslagen). Indien dat niet nodig is, wacht u dat de groene led uitgaat (= procedure beëindigd) en dat de rode led opnieuw met een regelmatig ritme zal gaan knipperen.*

9.3 – PROGRAMMEREN VAN HET TOETSENPAANEEL mod. MK

Het bedieningspaneel kan voor twee verschillende manieren van werken worden geprogrammeerd, die alternatief aan elkaar zijn:

- **TRADITIONELE werkingsmodus** (zonder een persoonlijk wachtwoord te gebruiken)
- **VEILIGE werkingsmodus** (met het gebruik van een persoonlijk wachtwoord)

Nadat het toetsenpaneel in het geheugen is opgeslagen (*zie paragraaf 9.1*), zal het op de "Traditionele werkingsmodus" ingesteld blijken te zijn (*fabrieksinstelling*); u kunt het nu in de andere modus instellen, zoals dat hieronder beschreven is.

"Traditionele" werkingsmodus

Bij deze modus zijn de toetsen onafhankelijk waarbij elke toets stuurt een specifieke instructie aanstuurt. De instructies zijn:

toets "**A**" = instructie **Stap-voor-Stap**
toets "**B**" = instructie **Gedeeltelijke opening**
toets "**C**" = instructie **Open**
toets "**D**" = instructie **Sluit**
toets "**OK**" = instructie **Stop**

"Veilige" Werkingsmodus

Bij deze modus werkt het toetsenpaneel wanneer er een door de gebruiker ingevoerd wachtwoord (van 1 tot 10 letters) wordt ingetoetst, gevolgd door de toets "**OK**". Deze toetsencombinatie verzendt alleen de specifieke instructie die de gebruiker bij het programmeren van deze modus heeft ingesteld.

N.B. – *Als de instructie Stap-voor-Stap is geprogrammeerd, hebt u na het versturen van de instructie, 10 seconden de tijd om eventueel nog een instructie te versturen; hiervoor hoeft u alleen maar op de toets "OK" te drukken. Op deze manier hoeft u het wachtwoord niet telkens opnieuw in te toetsen.*

PROGRAMMEREN VAN DE "VEILIGE" MODUS

- 01.** Houd de toetsen "**A**" en "**B**" enige seconden lang tegelijk ingedrukt, tot het toetsenpaneel een reeks geluidssignalen (*beep*) afgeeft die signaleren dat de programmering van start is gegaan.
- 02.** Voer met behulp van de toetsen op het toetsenpaneel de "**PUK**"-code in (code van 10 letters die u bij het toetsenpaneel hebt gekregen); druk tenslotte op toets "**OK**".
Als de code correct is, geeft het toetsenpaneel een reeks geluidssignalen (*beep*) af; als dat niet het geval is, wordt er één enkel continu geluid afgegeven.
- 03.** Voer met behulp van het toetsenpaneel een *persoonlijk wachtwoord* in (van 1 tot 10 letters); druk tenslotte op toets "**OK**".
Het toetsenpaneel geeft een reeks geluidssignalen af (*beep*).
- 04.** Kies daarna op onderstaande lijst de instructie die u wilt programmeren en druk op het toetsenpaneel op de **aan de instructie gekoppelde** toets en daarna op de toets "**OK**":

Instructie Stap-voor-Stap	= toets A
Instructie Gedeeltelijke opening	= toets B
Instructie Open	= toets C
Instructie Sluit	= toets D
Instructie Stop	= toets OK

Het toetsenpaneel geeft een reeks geluidssignalen af (*beep*) die deze programmering afsluiten.

Wijzigen van het persoonlijke wachtwoord

Als u uw wachtwoord wilt veranderen, dient u de gehele procedure "Veilige modus" opnieuw uit te voeren, waarbij u op punt 03 het bestaande wachtwoord verandert.

PROGRAMMEREN VAN DE "TRADITIONELE" MODUS

Voor het programmeren van deze werkingsmodus dient u de procedure "Programmeren van de Veilige modus" uit te voeren, waarbij u op punt 03 en 04 alleen op de toets "OK" hoeft te drukken.

De besturingseenheid heeft enkele optionele functies waarmee het mogelijk is andere specifieke taken door de automatisering te laten uitvoeren, waardoor deze aan uw persoonlijke eisen kan worden aangepast.

10 – AFSTELLEN VAN DE WERKING VAN DE AUTOMATISERIN

Om de werking van de automatisering aan de persoonlijke eisen aan te passen is het mogelijk sommige functies te activeren of te deactiveren en de waarde daarvan af te stellen. Deze functies zijn:

- **AUTOMATISCHE SLUITING VAN DE VLEUGELS.** Wanneer deze functie actief is, zal de besturingseenheid na afloop van een door de gebruiker aangestuurde *openingsmanoeuvre* de poort automatisch na verloop van een bepaalde tijd laten sluiten.
- **SNELHEID VAN DE MANOEUVRE VAN DE VLEUGELS.** Met deze functie kunt u de gewenste snelheid instellen waarmee de automatisering de vleugels van de poort laat bewegen.
- **GEVOELIGHEID VAN DE VLEUGELS TEN OPZICHTE VAN OBSTAKELS.** Als een onvoorzien obstakel (een windstoot, een voertuig, een persoon etc.) de vleugels van de poort tijdens een manoeuvre afremt, constateert deze functie onmiddellijk dat de belasting van de motor om het obstakel te overwinnen, toeneemt, en geeft instructie tot een complete terugloop. Als de "automatische sluiting van de vleugels" is ingesteld, probeert de besturingseenheid het een tweede maal en bij de derde poging onderbreekt zij na een korte terugloop de manoeuvre definitief.
- **WEGNEMEN VAN DE DRUK VAN DE VLEUGELS.** Na afloop van een *sluitmanoeuvre* blijft de motor de vleugels nog even "voortduwen", nadat ze de eindpositie "0" hebben bereikt, zodat de vleugels perfect gesloten zijn. Onmiddellijk daarna zorgt deze functie voor een zeer korte terugloop om te voorkomen dat de door de motor op de vleugels teveel uitgeoefende druk te groot wordt.

De waarden van deze functies kunnen op grond van de persoonlijke eisen worden afgesteld; u gebruikt hiervoor onderstaande procedure en een zender waarvan tenminste één toets reeds in het geheugen van de besturingseenheid is opgeslagen.

N.B. – *Telkens wanneer u bij het uitvoeren van de procedure op een toets drukt, zal het knipperlicht één maal knipperen*

- 01.** Houd de toetsen "T1" en "T2" op de zender tenminste **5 seconden** tegelijk ingedrukt en laat ze daarna los.
Op de besturingseenheid knipperen nu de twee leds (groen en rood) die aangeven dat u de "programmering van de functies" bent binnengegaan *de leds blijven gedurende de gehele procedure knipperen*.
- 02.** Houd op de zender tenminste **1 seconde** een reeds in die besturingseenheid opgeslagen toets ingedrukt *(de groene led knippert 1 maal)*.
- 03.** Kies daarna een van de vier beschikbare functies en houd de toets op de zender die aan de uitgekozen functie gekoppeld is, tenminste **1 seconde** ingedrukt *(de groene led knippert 1 maal)*:
 - **Automatische sluiting van de vleugels** = (druk op toets "T1")
 - **Snelheid van de manoeuvre van de vleugels** = (druk op toets "T2")
 - **Gevoeligheid van de vleugels ten opzichte van obstakels** = (druk op toets "T3")
 - **Wegnemen van de druk van de vleugels** = (druk op toets "T4")
- 04.** Kies tenslotte op basis van **tabel 4** de door u gewenste waarde die bij deze functie staat en houd op de zender tenminste **1 seconde** de toets ingedrukt die aan de gewenste waarde is gekoppeld *(de groene en rode led zullen nu 1 maal ter bevestiging kort knipperen)*.

TABEL 4

AUTOMATISCH SLUITEN van de vleugels

- Geen enkele sluiting → (druk op toets "T1")
- Sluiting na 15 seconden → (druk op toets "T2")
- Sluiting na 30 seconden → (druk op toets "T3")
- Sluiting na 60 seconden → (druk op toets "T4")

SNELHEID VAN DE door de vleugels uitgevoerde BEWEGING

- Laag → (druk op toets "T1")
- Middellaag → (druk op toets "T2")
- Middelhoog → (druk op toets "T3")
- Hoog → (druk op toets "T4")

GEVOELIGHEID van de vleugels TEN OPZICHTE VAN OBSTAKELS

- Hoog → (druk op toets "T1")
- Middelhoog → (druk op toets "T2")
- Middellaag → (druk op toets "T3")
- Laag → (druk op toets "T4")

WEGNEMEN VAN DE DRUK van de vleugels

- Niet wegnemen → (druk op toets "T1") (*)
- Minimum → (druk op toets "T2")
- Middenwaarde → (druk op toets "T3")
- Maximum → (druk op toets "T4")

Opmerkingen bij tabel 4:

- (*) *We bevelen u aan deze waarde NOOIT in te stellen.*
- *Deze tabel geeft de waarden weer die voor elk van de 4 speciale functies beschikbaar zijn alsook de daarmee overeenkomende toets waarop u op de zender moet drukken om die bepaalde waarde te selecteren.*
- *De kleur grijs markeert de in de fabriek vastgestelde waarden.*
- *In geval van stroomuitval zal bij terugkeer daarvan de eerstvolgende door de automatisering aangestuurde manoeuvre op gereduceerde snelheid worden uitgevoerd, onafhankelijk van de ingestelde snelheid.*

11 – GEHEUGENOPSLAG VAN EEN NIEUWE ZENDER MET BEHULP VAN DE PROCEDURE 'IN DE NABIJHEID VAN DE BESTURINGSEENHEID [met een reeds in het geheugen opgeslagen zender]

Het is mogelijk een NIEUWE zender in het geheugen van de besturingseenheid op te slaan zonder rechtstreeks de toets "P1" op die besturingseenheid te gebruiken, maar door binnen de ontvangstraal van de zender te werken. Hiervoor hebt u een OUDE zender nodig, die reeds in het geheugen is opgeslagen en die werkt. Met deze procedure kan de NIEUWE zender de instellingen van de OUDE ontvangen.

Aanbeveling – *De procedure moet uitgevoerd binnen het ontvangstbereik van de ontvanger (ten hoogste 10-20 m van de ontvanger).*

- 01.** Op de NIEUWE zender: houd tenminste **5 seconden** de toets ingedrukt die u in het geheugen wilt opslaan en laat hem daarna los.
- 02.** Op de OUDE zender: druk langzaam **3 maal** op de toets met de instructie die u op de andere zender in het geheugen wilt opslaan.
- 03.** Op de NIEUWE zender: druk **1 maal** op dezelfde toets als die welke u op punt 01 hebt ingedrukt.

N.B. – *De procedure dient voor elke toets die u in het geheugen wilt opslaan, opnieuw te worden uitgevoerd.*

12 – WISSEN VAN GEGEVENS UIT HET GEHEUGEN VAN DE BESTURINGSEENHEID

Het is mogelijk de gegevens te wissen, die zich in het geheugen van de besturingseenheid bevinden, waarbij u enkele gegevens of alle gegevens wist. Hiervoor kunt u de volgende procedures gebruiken:

- **Wissen van een instructie in een reeds in het geheugen opgeslagen zender**
- **Wissen van andere gegevens die in het geheugen van de besturingseenheid zijn opgeslagen**

Wissen van een instructie in een reeds in het geheugen opgeslagen zender

Met onderstaande procedure is het mogelijk een afzonderlijke aan een toets op de zender gekoppelde instructie uit het **geheugen** van de besturingseenheid te wissen.

N.B. – *Tijdens de procedure blijven de rode en de groene led ononderbroken branden.*

01. Houd de toets “P1” op de besturingseenheid langer dan **10 seconden** ingedrukt: eerst gaat de **groene** led branden, na 5 seconden gaat de **rode** led aan en tenslotte beide, ten teken dat de besturingseenheid de modus “wissen van het geheugen” is binnengegaan (**LET OP! – laat toets “P1” niet los!**).

02. Zonder toets “P1” los te laten, drukt u op de toets van de zender die u wilt wissen: als de besturingseenheid deze handeling herkent, knippert de **groene** led één maal kort en, pas nu, kan de toets “P1” en de toets op de zender worden losgelaten.

Wissen van andere gegevens die in het geheugen van de besturingseenheid zijn opgeslagen

Met onderstaande procedure is het mogelijk verschillende soorten opgeslagen gegevens uit het **geheugen** van de besturingseenheid te wissen, zoals die in **tabel 5** zijn weergegeven.

N.B. – *Tijdens de procedure blijven de rode en de groene led ononderbroken branden.*

01. Houd de toets “P1” op de besturingseenheid langer dan **10 seconden** ingedrukt: eerst gaat de **groene** led branden, na 5 seconden gaat de **rode** led aan en tenslotte beide, ten teken dat de besturingseenheid de modus “wissen van het geheugen” is binnengegaan. Laat daarna de toets los.

02. Kies met behulp van **tabel 5** het type gegevens dat u wilt wissen en druk net zo veel maal op toets “P1” als het aantal tussen haakjes geeft (*telkens als er op de toets “P1” wordt gedrukt, knippert de groene led één maal*).

03. Vijf seconden nadat er voor de laatste maal op toets “P1” is gedrukt gaan beide leds (rood en groen) snel knipperen, als het wissen tot een goed einde is gekomen, (= *geheugen gewist!*).

N.B. – *Voordat wissing daadwerkelijk plaatsvindt, is er een marge van 5 seconden, waar u de genomen beslissing nog kunt terugdraaien; in die tijd kunt u de procedure verlaten zonder enig gegeven te wissen door 5 maal op de toets “P1” te drukken.*

BELANGRIJK! – Na wissing van het “geheugen van de standen **0** en **1**” en van “het **GEHELE** geheugen”, zal het nodig zijn de procedure **9.1** opnieuw uit te voeren – “**Geheugenopslag van de inrichtingen die via een Bus-kabel aangesloten zijn, en van de eindstanden 0 en 1 van de vleugels**”.

TABEL 5

- Geheugen van de waarden van de optionele functies (= **1 maal drukken**)
- Geheugen van de standen “0” en “1” (= **2 maal drukken**)
- Geheugen van de zenders (= **3 maal drukken**)
- **GEHELE** geheugen (= **4 maal drukken**) **NB.** – *wist in één maal de drie eerste geheugens*



Werkzaamheden die aan een bevoegde technicus zijn voorbehouden

LET OP! – Alle in dit kader vervatte handelingen mogen uitsluitend door bevoegd en ervaren personeel worden uitgevoerd, waarbij de aanwijzingen van de handleiding, de wetten en de regelgeving inzake veiligheid, zoals die in het gebied van kracht zijn, worden nageleefd.

AANSLUITING VAN DE AUTOMATISERING OP HET ELEKTRICITEITSNET MET EEN ANDERE KABEL DAN DIE WELKE IS MEEGELEVERD

LET OP! – Een verkeerd uitgevoerde aansluiting kan ernstige schade of een gevaarlijke situatie veroorzaken, neem daarom de in deze paragraaf aangegeven aansluitingen nauwgezet in acht.

Als de afstand van de poort tot het contact van het elektriciteitsnet groter is dan de lengte van de meegeleverde voedingskabel, kan deze kabel vervangen worden met een elektriciteitsleiding die beschermd en afgestemd is op de omstandigheden.

Gebruik hiervoor een voedingskabel van 3 x 1,5 mm² met een lengte van minder dan 30 m. Gebruik voor grotere lengtes een kabel met een grotere doorsnede: bijvoorbeeld, 3 x 2,5 mm² en aard hem in de buurt van de automatisering. Ga vervolgens als volgt te werk.

Voor het aansluiten van een nieuwe kabel op de besturings-eenheid:

01. Afb. A:

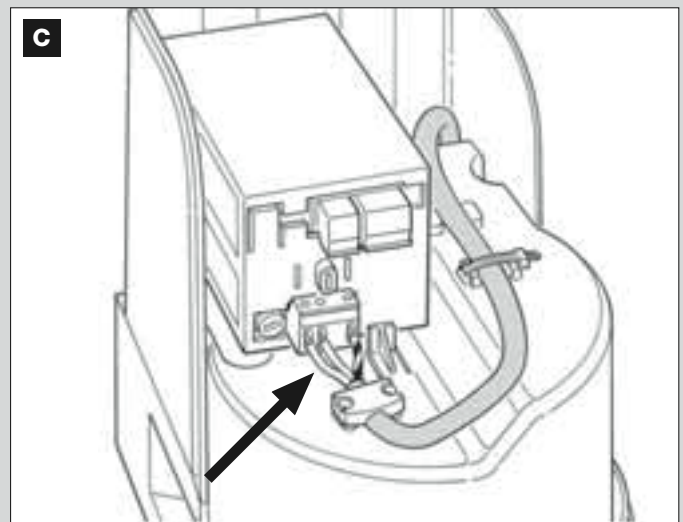
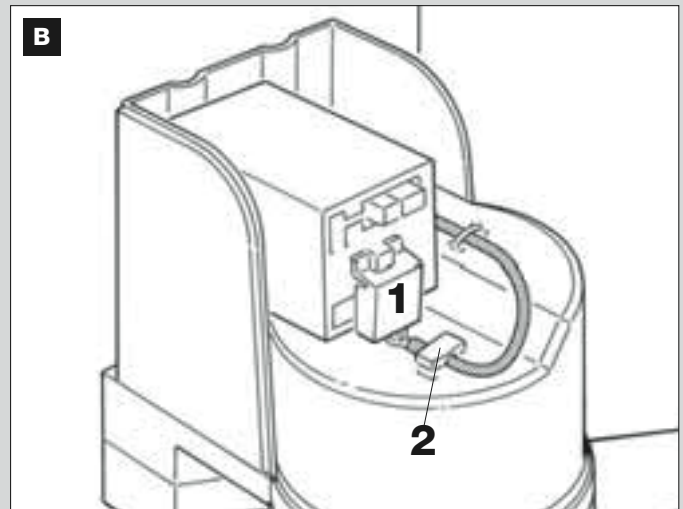
- Draai met behulp van een Amerikaanse schroevendraaier de schroef bovenop de dekplaat los.
- Zet twee vingers op de twee holten in het achterdeel van de reductiemotor en haal de dekplaat naar boven waarbij u hem naar boven weg trekt; draai hierbij op het grondstuk waarop laatstgenoemde rust.



02. Afb. B en C - Draai met behulp van een Amerikaanse schroevendraaier de schroef van de dekplaat van de klemmenstrip (afb.B-1) en de kabelklem (afb. B-2) los om de te vervangen voedingskabel vrij te maken, en verwijder hem. Haal daarna de nieuwe voedingskabel door de opening op het ondervlak van de reductiemotor en sluit de

draden van de kabel op de klemmenstrip aan waarbij u erop dient te leggen de aanwezige symbolen in acht te nemen. **N.B.** – haal de klemmenstrip van zijn plaats, zodat u de elektriciteitsdraden gemakkelijk kunt aansluiten.

- **Bruine** elektriciteitsdraad, aan te sluiten op “Fase”;
- **Blauwe** elektriciteitsdraad, aan te sluiten op “Nulleider”;
- **Geel-groene** elektriciteitsdraad, aan te sluiten op “Aarde”.



03. Zet vervolgens de dekplaat op de klemmenstrip terug en sluit de reductiemotor met de dekplaat daarvan .

Voor het aansluiten van een nieuwe kabel op het elektriciteitsnet:

Let op! – Bij het aansluiten hiervan dient er op de voedingslijn (tussen de automatisering en het elektriciteitsnet) ook een beveiliging tegen kortsluiting te worden geïnstalleerd.

Op deze lijn dient er bovendien een inrichting te worden geïnstalleerd die de stroomtoevoer kan onderbreken (met overspanningscategorie III, d.w.z. met een minimumafstand tussen de contacten van tenminste 3,5 mm) of ander gelijkwaardig systeem, zoals bijvoorbeeld een stopcontact met een stekker. Deze inrichting zorgt er, indien dat nodig is, dat de stroomtoevoer snel en veilig wordt onderbroken. Als die onderbrekingsinrichting van de stroomtoevoer zich niet in de nabijheid van de automatisering bevindt en niet zichtbaar is, dient er een blokkeringsysteem te zijn tegen het per ongeluk of onbevoegd inschakelen, teneinde elk eventueel gevaar uit te 3.

N.B. – De onderbrekingsinrichting wordt niet met het product meegeleverd.

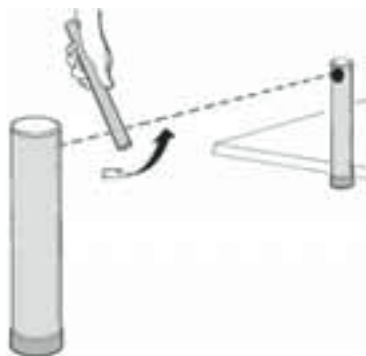
EINDTEST EN INBEDRIJFSTELLING VAN DE AUTOMATISERING

Dit zijn bij de aanleg van de automatisering de belangrijkste fasen om een zo groot mogelijke veiligheid van de installatie te garanderen. De hier beschreven procedure van de eindtest kan ook worden gebruikt om op geregelde tijden de inrichtingen waaruit de automatisering is samengesteld, te controleren. De eindtest en de inbedrijfstelling van de automatisering moeten door vakbekwaam en deskundig personeel uitgevoerd worden. Dat moet ook bepalen welke tests noodzakelijk zijn om de getroffen oplossingen voor de bestaande risico's te controleren en na te gaan of de wettelijke voorschriften, regelgeving en regels en in het bijzonder alle vereisten van norm EN 12445, die de testmethodes voor de controle van automatiseringen voor poorten bepaalt, in acht zijn genomen.

EINDTEST VAN DE AUTOMATISERING

- 1 Controleer of de voorschriften van STAP 1 op het gebied van de veiligheid zijn nageleefd.
- 2 Voer met behulp van de zender sluit- en openingstests met de poort uit, om na te gaan of de beweging van de vleugel naar behoren wordt uitgevoerd. Het is raadzaam meerdere tests uit te voeren om te beoordelen of de deur soepel loopt en er eventuele montage- of afstellingsdefecten zijn, of punten met een bijzondere wrijving.
- 3 Controleer alle veiligheidsinrichtingen van de installatie (fotocellen, gevoelige randen, enz.) één voor één, of ze goed werken. **Fotocellen:** laat de inrichting tijdens een *openings-* of *sluitmanoeuvre* in werking treden en controleer of de besturingseenheid de manoeuvre tot staan brengt en een totale terugloop verricht (het knipperlicht moet nu 2 maal 2 knipperingen afgeven). **Contactlijsten:** laat de inrichting tijdens een *openings-* of *sluitmanoeuvre* in werking treden en controleer of de besturingseenheid de manoeuvre tot staan brengt en een korte terugloop uitvoert (het knipperlicht moet 2 maal 4 knipperingen afgeven).
- 4 Om te controleren of er geen interferenties tussen de fotocellen met andere inrichtingen zijn, onderbreekt u met een 30 cm lange cilinder met een diameter van 5 cm de optische as die het stel fotocellen met elkaar verbindt (**afb. 70**): eerst dichtbij de fotocel TX, vervolgens dichtbij de RX en tenslotte in het midden tussen de twee fotocellen. Ga dan na of de inrichting in alle gevallen in werking treedt en van de actieve status op de alarmstatus overgaat, en omgekeerd. Tenslotte controleert u of de inrichting altijd in werking treedt, waarbij ze van de actieve status in de alarmstatus komt en omgekeerd; vergewis u er daarna van dat ze de voorziene reactie in de besturingseenheid oproept (bijvoorbeeld dat de poort terugloopt bij de *sluitmanoeuvre*).
- 5 Meet de stootkracht volgens de voorschriften van de norm EN 12445 en probeer daarna, indien de aansturing van het „motorvermogen“ gebruikt wordt als hulpmiddel voor het systeem om de stootkracht terug te brengen, eventueel die instelling te vinden, welke de beste resultaten oplevert.
- 6 Geef opdracht tot een sluitmanoeuvre en controleer de stootkracht van de vleugel op de aanslag van de mechanische eindpositie. Probeer, zo nodig, de druk weg te nemen en die afstelling te vinden die de beste resultaten geeft.

70



INBEDRIJFSTELLING VAN DE AUTOMATISERING

Inbedrijfstelling kan alleen plaatsvinden nadat alle fasen van de eindtest met succes zijn afgesloten. Gedeeltelijke inbedrijfstelling of in “tijdelijke” situaties is niet toegestaan.

- 1 Maak een technisch dossier van de automatisering dat de volgende documenten moet omvatten: een overzichtstekening (zie het voorbeeld op **afb. 8**), een schema van de verrichte elektrische aansluitingen (zie het voorbeeld op **afb. 22**), een analyse van de toegepaste oplossingen (zie op de site www.moovo.com de in te vullen formulieren), de conformiteitsverklaringen van alle fabrikanten voor de gebruikte inrichtingen en de conformiteitsverklaring die door de installateur is ingevuld (zie de sectie “TECHNISCHE DOCUMENTATIE”).
- 2 Breng op de poort een plaatje aan met daarop tenminste de volgende gegevens: type automatisering, naam en adres van de fabrikant (verantwoordelijk voor de “inbedrijfstelling”), serienummer, bouwjaar en “CE”-keurmerk.
- 3 Vul de conformiteitsverklaring in en geef ze aan de eigenaar van de automatisering; Hiervoor kunt u de “**EG-conformiteitsverklaring**” in de sectie “TECHNISCHE DOCUMENTATIE” gebruiken.
- 4 Vul het formulier “**Gebruiksaanwijzing**” in dat u in de sectie “TECHNISCHE DOCUMENTATIE” vindt en geef dat aan de eigenaar van de automatisering.
- 5 Vul het formulier “**Onderhoudsplan**” in dat u in de sectie “TECHNISCHE DOCUMENTATIE” vindt en dat de onderhoudsvoorschriften voor alle inrichtingen van de automatisering omvat en geef dit aan de eigenaar van de automatisering.
- 6 Alvorens de automatisering in bedrijf te stellen dient u de eigenaar uitvoerig over de nog aanwezige gevaren en risico's te informeren.

WERKZAAMHEDEN IN VERBAND MET PERIODIEK ONDERHOUD

Over het algemeen heeft dit product geen bijzonder onderhoud nodig; toch zorgt regelmatige controle ervoor de installatie efficiënt te houden en een regelmatige werking van de geïnstalleerde veiligheidssystemen te waarborgen.

Raadpleeg daarom voor een correct onderhoud het hoofdstuk “**Onderhoudsplan**” in de sectie “TECHNISCHE DOCUMENTATIE” aan het einde van deze handleiding.

AFVALVERWERKING VAN HET PRODUCT

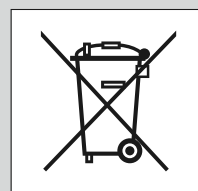
Dit product is een integrerend deel van de automatisering en dient dus daarom samen daarmee verwerkt te worden.

Wanneer de levensduur van dit product ten einde is, dienen de ontmantelingswerkzaamheden, zoals dit ook bij de installatiewerkzaamheden het geval is, door bevoegd personeel uitgevoerd te worden. Dit product bestaat uit verschillende soorten materialen, waarvan sommige gerecycled kunnen worden. Win inlichtingen over de methoden van hergebruik of afvalverwerking zoals die in de in uw gebied van kracht zijnde voorschriften is voorzien.

Let op! – Sommige delen van het product kunnen vervuilende of gevaarlijke stoffen bevatten; als die in het milieu terecht zouden komen, zouden

ze schadelijke gevolgen voor het milieu en de menselijke gezondheid kunnen hebben.

Zoals u kunt zien aan het symbool hiernaast is het verboden dit product met het gewone huisvuil weg te gooien. Scheid uw afval voor verwerking op een manier zoals die in de plaatselijke regelgeving is voorzien, of lever het product bij uw leverancier in wanneer u een nieuw gelijksoortig product koopt.



Let op! – de plaatselijke regelgeving kan in geval van illegale dumping van dit product in zware straffen voorzien.

TECHNISCHE KENMERKEN VAN DE VERSCHILLENDE PRODUCTONDERDELEN

AANBEVELINGEN:

- Het product XA4... is vervaardigd door Nice S.p.a. (TV) I. **Moovo** is een merk van Nice S.p.a.
- Alle hier opgevoerde technische gegevens hebben betrekking op een omgevingstemperatuur van 20°C (±5°C).
- Nice S.p.a. behoudt zich het recht voor op elk door haar gewenst moment wijzigingen in haar producten aan te brengen, waarbij functionaliteit en gebruiksbestemming echter gehandhaafd blijven.

REDUCTIEMOTOREN XA4...

N.B. - Het model XA4-32e bevat de besturingseenheid.

BESCHRIJVING	GEGEVENS			
	Mod. XA432		Mod. XA432e	
Stroomvoorziening	12 Vdc		230 Vac - 50/60 Hz	
Maximaal door de twee motoren opgenomen vermogen (W)	250 W			
Maximum duwkracht	150 N			
Nominale duwkracht	70 N			
Snelheid loos	<i>langzaam</i>	<i>snel</i>	<i>langzaam</i>	<i>snel</i>
	4,5° / sec	9° / sec	4,5° / sec	9° / sec
Nominale snelheid	3° / sec	6° / sec	3° / sec	6° / sec
Cycli/h bij het nominale koppel (20°C)	8			
Maximumaantal cycli achter elkaar	5			
Werkingstemperatuur	- 20 / + 50° C			
Afmetingen	253 x 155 h x 235 mm			
Gewicht (kg)	6.2 kg		6.3 kg	
Beschermingsklasse	IP 44			
Geschatte levensduur (*)	van 50.000 tot 100.000 cicly manoeuvres			

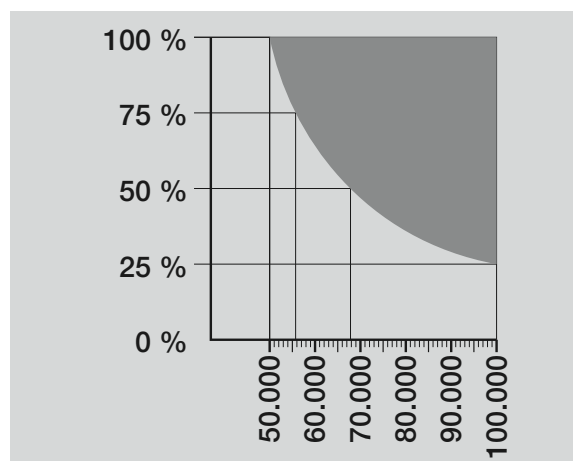
(*) **N.B.** - De geschatte levensduur van het product ligt tussen de 50.000 en 100.000 cycli manoeuvres. Om de waarschijnlijke levensduur van uw automatisme vast te stellen dient u als volgt te werk te gaan:

a) - valutare le condizioni di uso e le forze in gioco presenti nel vostro impianto come beoordeel de gebruiksomstandigheden en de krachten die bij uw installatie in het spel zijn zoals bijvoorbeeld...

- het gewicht en de lengte van de vleugel;
- de perfecte uitbalancerings van de vleugel;
- de staat van onderhoud van de scharnieren van de vleugel;
- het type vleugel: dicht of met veel openingen;
- de aanwezigheid van sterke wind;
- de gebruiksfrequentie van de automatisering.

b) - leid uit deze beoordeling een waarde af die wordt uitgedrukt in een percentage dat in het algemeen de hogere of geringere graad van slijtage van het automatisme bepaalt.

c) - zoek op de grafiek hiernaast het geschatte percentage (op punt "b") en lees daar het aantal cycli van manoeuvres af.



KNIPPERLICHT MF

BESCHRIJVING	GEGEVENS
Typologie	Knipperlicht voor automatismen op poorten en deuren
Toegepaste technologie	Lichtsignalering met een lamp die door de besturingseenheden Moovo met "Bus"-systeem voor automatisering worden aangestuurd
Lamp	12V 21W BA15-fitting (type)
Stroomvoorziening	De inrichting moet worden aangesloten op het klemmetje "Bus" van de besturingseenheden Moovo voor automatiseringen
Omgevingstemperatuur voor werking	-20 ÷ 50°C
Gebruik in zure, zoute of potentieel explosieve omgeving	Nee
Montage	Verticaal op een vlak; of horizontaal aan de wand
Beschermingsklasse	IP 44
Afmetingen	135 x 120h x 110 mm
Gewicht	340 g

ZENDER MT4

BESCHRIJVING	GEGEVENS
Typologie	Radiozenders voor het aansturen van automatiseringen op poorten en deuren
Toegepaste technologie	Gecodeerde radiomodulatie AM OOK
Frequentie	433.92 MHz (\pm 100 kHz)
Codering	Rollingcode met 64-bits code (18×10^{16} combinaties)
Toetsen	4, elke toets kan worden gebruikt voor verschillende instructies van dezelfde besturingseenheid of van verschillende besturingseenheden
Uitgestraald vermogen	1 dBm e.r.p.
Stroomvoorziening	3V +20% -40% met 1 lithiumbatterij type CR2032
Levensduur van de batterijen	3 jaar, geschat op een basis van 10 instructies/dag met een duur van 1s bij 20°C (bij lage temperaturen neemt de werking van de batterijen af)
Omgevingstemperatuur bij werking	-20°C ÷ 50°C
Gebruik in zure, zoute of potentieel explosieve omgeving	Nee
Beschermingsklasse	IP 40 (gebruik in huis of beschermde ruimten)
Afmetingen	40 x 70h x 8 mm
Gewicht	25 g
Bereik	geschat op 200 m buitenshuis; 35 m binnenshuis (*)

(*) Het bereik van de zenders en de ontvangcapaciteit van de ontvanger wordt sterk beïnvloed door andere inrichtingen die in de omgeving op dezelfde frequentie uitzenden zoals alarmen, radiokoptelefoons, e.d. Nice die interferentie met de ontvanger. In geval van interferentie kan Nice geen enkele garantie bieden ten aanzien van het daadwerkelijke bereik van zijn inrichtingen.

FOTOCELLEN MP

BESCHRIJVING	GEGEVENS
Typologie	Obstakeldetector voor automatiseren op poorten en deuren (type D volgens de norm EN 12453) bestaande uit een zender "TX" en ontvanger "RX"
Toegepaste technologie	Optisch, via rechtstreekse interpolatie TX-RX met gemoduleerde infraroodstraal
Detectievermogen	Matte voorwerpen op de optische as tussen TX-RX met een afmeting van meer dan 50 mm en een snelheid van minder dan 1,6 m/s
Zendhoek TX	20° circa
Ontvanghoek RX	20° circa
Nuttig bereik	Tot 7 m voor maximale afwijking TX-RX $\pm 4^\circ$ (de inrichting kan een obstakel ook signaleren wanneer de weersomstandigheden bijzonder slecht zijn)
Stroomvoorziening / Uitgang	De inrichting moet op de "Bus"-netten van Moovo worden aangesloten, waarvan de elektrische stroom wordt opgenomen en waarlangs de uitgaande signalen worden verzonden
Opgenomen vermogen	450mW bij werking; 40mW in stand by
Maximumlengte kabels	Tot 20 m (neem de aanbevelingen voor de minimumdoorsnede en het soort kabels in acht)
Adresseringsmogelijkheden	Tot 6 detectors met beveiligingsfunctie en tot 4 met aansturingfunctie voor de openingsmanoeuvre. Het automatische synchronisme voorkomt interferentie tussen de verschillende inrichtingen.
Omgevingstemperatuur bij werking	-20 ÷ 50°C
Gebruik in zure, zoute of potentieel explosieve omgeving	Nee
Montage	Verticaal op een vlak; of horizontaal aan de wand
Beschermingsklasse	IP 44
Afmetingen	50 x 85h x 35 mm
Gewicht (stel)	140 g

TASTIERA MK

BESCHRIJVING	GEGEVENS
Typologie	Toetsenpaneel met 5 toetsen met de mogelijkheid de automatisering aan te sturen met en zonder invoer van de combinatie
Toegepaste technologie	Mogelijkheid tot invoer van een activeringscode van ten hoogste 10 cijfers (meer dan 1 miljoen combinaties mogelijk)
Stroomvoorziening / Uitgang	De inrichting moet op de "Bus"-netten van Moovo worden aangesloten, waarvan de elektrische stroom wordt opgenomen en waarlangs de uitgaande signalen worden verzonden
Opgenomen vermogen	120mW bij werking; 45mW in stand by
Omgevingstemperatuur bij werking	-20 ÷ 50°C
Gebruik in zure, zoute of potentieel explosieve omgeving	Nee
Montage	Verticaal aan de wand
Beschermingsklasse	IP 44
Afmetingen	50 x 85h x 35 mm
Gewicht	80 g

WAT TE DOEN ALS... (gids voor het oplossen van problemen)

Bij normale werking houdt de besturingseenheid de processen van de automatisering constant onder controle en kan zij eventuele storingen signaleren door het knipperlicht een bepaald aantal maal te laten knipperen (deze diagnostische knipperingen hebben altijd betrekking op de laatste manoeuvre van de automatisering). Om het verband te begrijpen tussen het aantal knipperingen en de oorzaak daarachter, gelieve u onderstaande **tabel 6** te raadplegen:

TABEL 6		
Knipperingen	Probleem	Oplossing
2 maal knipperen - pauze - 2 maal knipperen	Bij de <i>openings-</i> of <i>sluitmanoeuvre</i> komen de vleugels onverwachts tot stilstand of lopen terug in tegengestelde richting.	Dit is het gevolg van het feit dat een bepaald stel fotocellen, dat deel uitmaakt van de installatie, in werking is getreden omdat het een obstakel heeft geconstateerd. Verwijder dus het obstakel dat zich op de baan tussen deze fotocellen bevindt.
3 maal knipperen - pauze - 3 maal knipperen	<ul style="list-style-type: none"> • Bij de <i>openings-</i> of <i>sluitmanoeuvre</i> komen de vleugels onverwachts tot stilstand en de besturingseenheid verricht een <u>totale</u> omkering van de in gang zijnde manoeuvre waarbij de eindstop wordt bereikt. • Bij de <i>openings-</i> of <i>sluitmanoeuvre</i> onderbreekt de besturingseenheid onverwachts de manoeuvre en verricht een eerste <u>gedeeltelijke</u> omkering van de in gang zijnde manoeuvre zonder de eindstop te bereiken en voert daarna nog twee gedeeltelijke omkeringen uit en onderbreekt de beweging definitief. 	De vleugels hebben als gevolg van een onverwacht obstakel (een windstoot, een voertuig, een persoon, etc.) meer wrijving ondervonden. Mocht het eventueel nodig zijn de gevoeligheid daarvan ten opzichte van obstakels bij te stellen, gelieve u hoofdstuk " Afstellingen en andere optionele functies " te raadplegen.
4 maal knipperen - pauze - 4 maal knipperen	Bij de <i>openings-</i> of <i>sluitmanoeuvre</i> komen de vleugels onverwachts tot stilstand en de besturingseenheid voert een "Stop" uit, gevolgd door een korte terugloop.	Eventueel geïnstalleerde veiligheidsinrichtingen (anders dan fotocellen, zoals bijvoorbeeld contactlijsten), hebben een onverwacht obstakel gesignaleerd. Verwijder dus het obstakel.
5 maal knipperen - pauze - 5 maal knipperen	De automatisering reageert niet op de verzonden instructies.	Er is een fout in de configuratie van het systeem. Voer de installatie dus opnieuw uit.
6 maal knipperen - pauze - 6 maal knipperen	Na een aantal opeenvolgende verzonden manoeuvres komt de automatisering tot stilstand.	De hoogst toegestane grens van opeenvolgende manoeuvres is overschreden waardoor oververhitting is ontstaan. Wacht daarom enkele minuten om de temperatuur onder de ingestelde bovengrens te laten zakken.
7 maal knipperen - pauze - 7 maal knipperen	De automatisering reageert niet op de verzonden instructies.	Er is een defect in de interne elektrische circuits. Ontkoppel daarom alle voedingscircuits; wacht een paar seconden en zet ze opnieuw onder spanning. Geef opnieuw een instructie en, als de automatisering niet reageert, betekent dit dat er een ernstig defect is op de elektrische kaart van de besturingseenheid of in de bekabeling van de motor. Controleer dus en vervang zo nodig.
8 maal knipperen - pauze - 8 maal knipperen	De automatisering reageert niet op de verzonden instructies.	Er is een defect in de elektrische circuits van de "Bus". Controleer een voor een of de aangesloten inrichtingen goed werken. Er zou kortsluiting daarin zijn kunnen opgetreden of ze zouden niet goed kunnen werken.

EN	<i>Technical documentation</i>
IT	<i>Documentazione Tecnica</i>
FR	<i>Documentation Technique</i>
ES	<i>Documentación Técnica</i>
DE	<i>Technische Dokumentation</i>
PL	<i>Dokumentacja Techniczna</i>
NL	<i>Technische documentatie</i>

OPERATION MANUAL

(to be given to the final user of the automation)

SAFETY WARNINGS AND PRECAUTIONS

⚠ NEVER touch parts of the automation while the gate or door is moving!

- Before using the automation for the first time, take care to read this operation manual provided by the automation installer. Also ensure that you are fully informed of all origins of residual risks
- Keep the manual for consultation when in doubt and ensure supply to new owners of the automation.
- Your automation is a machine that performs commands imparted by the user; negligent or improper use may constitute a hazard. Never activate automation controls if persons, animals or objects are present in the operating range.
- **Children: this automation system guarantees a high level of safety, using special detection devices to prevent movement in the presence of persons or objects, thereby guaranteeing constant foreseeable and safe activation. However, it is advisable to ensure that children do not play in the vicinity of the automation. To avoid inadvertent activation, and remote controls should always be kept out of reach. (the transmitter is not a toy!)**
- Check the automation frequently to detect possible imbalance, signs of wear or damage. Suspend use immediately if maintenance is required.
- Periodically check correct operation of the photocells and perform the scheduled maintenance at least every six months
- Photocells do not constitute actual safety devices, but safety aids. They are designed using highly reliable technology, but in extreme conditions

may be subject to malfunctions or potential faults. **CAUTION!** – In certain cases these faults are not immediately evident

⚠ NEVER touch parts of the automation while the gate or door is moving! (FRASE SPOSTATA)

- If any anomalous condition is noted on the automation, disconnect the power supply from the system immediately. Never attempt to repair the automation alone; contact your local installer for assistance. In the meantime the system can be used with manual Opening and Closing by manually releasing the gearmotors as described in this manual.
- When power is restored after a power failure the first manoeuvre command will be run at low speed, regardless of the type of speed setting.
- Even if you possess the skills, never modify the system or automation programming and adjustment parameters: This is the responsibility of the automation installer.
- Testing, periodic maintenance and any repairs must be documented by the person performing the operations and the relative documents must be kept by the system owner.
- At the end of the automation's lifetime, ensure that it is disposed by qualified personnel and that the materials are recycled or scrapped according to current standards in the place of use.

MAINTENANCE OPERATIONS ADMISSIBLE TO THE USER

The automation requires periodic maintenance to ensure optimal operation, extended lifetime and complete safety. Checks, maintenance and repairs must be performed exclusively by qualified personnel. Arrange with the installer to draw up a periodic maintenance schedule. *Nice recommends maintenance every 6 months in the case of normal domestic use, but this interval may vary according to the intensity of use.*

The user may and must perform periodic cleaning of the photocell lenses and removal of any leaves or stones that may obstruct the automation.

- For cleaning the surfaces of the devices, use a slightly damp (not wet) cloth. **Important** – Never use substances containing alcohol, benzene,

diluents or other flammable substances. Use of these substances may damage to the devices and cause fires or electric shocks.

- To prevent persons from activating the gate, before proceeding with cleaning, remember to release the automation as described in this manual.

TO CONTROL THE GATE

With transmitter MT4

The transmitter keys have the following functions:

COMMAND (*)

Key T1

Key T2

Key T3

Key T4

(*) This table must be compiled by the person who Programmed the automation

With MK keypad

The keypad keys have the following functions:

COMMAND (*)

Key A

Key B

Key C

Key D

Key OK

(*) This table must be compiled by the person who programmed the automation

With safety devices disabled

With safety devices disabled, the manoeuvre does not start and the courtesy light flashes a few times. *The number of flashes depends on the fault concerned; refer to Table 6 to locate the cause of the problem.*

Important – In the event of safety device malfunction, arrange for repairs to the automation immediately.



MANUALLY RELEASING OR LOCKING THE GEARMOTOR

The gearmotor is equipped with a mechanical system that enables manual opening and closing of the gate.

These manual operations must be performed in the event of a power failure or system malfunctions. In the latter case, use of the release mechanism may be useful also to check whether the fault is linked to the mechanism itself (e.g. it may be excessively tightened).

Note – In the event of a power failure, the buffer battery may also be used to move the gate (mod. MB), if fitted in the system.

To manually release the gearmotor, use the release key supplied as follows:

01. Insert the key in the relative release pin.
02. Turn the key 180° clockwise
03. At this point the gate leaf can be moved manually to the required position.
04. To restore automation operation, turn the key anticlockwise on the release pin and manually move the gate leaf until you can hear the leaf engage mechanically with the drive mechanism.
05. Then remove the key from the release pin and store in a safe place.

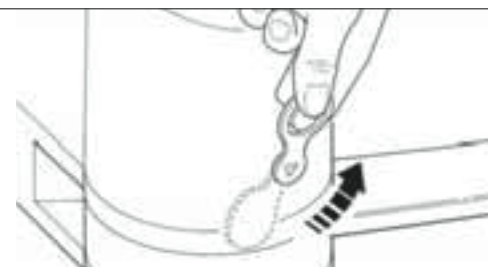
01



02



04



TRANSMITTER BATTERY REPLACEMENT

When the battery is discharged, the transmitter capacity is significantly reduced. In particular, this can be noted when the intensity of the led is reduced (fading) when lit (= battery totally discharged).

In these cases, to restore normal transmitter operation, the battery must be replaced with a version of the same type (CR2032), noting the polarity as specified.

To replace the battery proceed as follows:

01. The edge of the frame at the back of the transmitter.



02. Keeping the frame raised, press on the battery cover as shown in the figure.



03. Then remove the old battery and replace with a new version, taking care to insert the latter with the polarity as specified (the + sign at the bottom).



04. Then, holding the transmitter with the keys facing upwards, refit the battery cover in its seat and ensure that the "tab" shown in grey in the figure is above the battery, as shown in the figure below.



05. Then lower the edge of the frame onto the back of the transmitter until it clicks into place.

Battery disposal

CAUTION! – Even if discharged, the batteries can contain pollutant substances and therefore must never be disposed of in common waste collection points. Dispose of according to separate waste collection methods as envisaged by current local standards.

CE DECLARATION OF CONFORMITY

Note: The contents of this declaration correspond to those of the official document, dated 5 April 2007, deposited at the registered offices of Nice S.p.a., and in particular to the last revision available before printing of this manual. The text herein has been drawn up for editorial purposes.

XA432, XA432E, MT4, MP, MK and, MF are produced by NICE S.p.a. (TV) I; MOOVO is a commercial trademark owned by Nice S.p.a.

Number: **XA..** Revision: **0**

The undersigned, Lauro Buoro, in the role of Managing Director, declares under his sole responsibility, that the product:

Manufacturer's Name: NICE s.p.a.

Address: Via Pezza Alta 13, 31046 Z.I. Rustignè, Oderzo (TV) Italy

Type: "MOOVO" series electromechanical gearmotors and relative accessories

Models: XA432, XA432E, MT4, MP, MK, MF, MB

The models XA432, XA432E, , comply with the requirements of the EC directive:

- 98/37/EC (89/392/EEC amended); DIRECTIVE 98/37/EC OF THE EUROPEAN PARLIAMENT AND COUNCIL of 22 June 1998 regarding the approximation of member state legislation related to machinery

As envisaged in the directive 98/37/EC, start-up of the product specified above is not admitted unless the machine, in which the product is incorporated, has been identified and declared as conforming to directive 98/37/EC.

The models XA432E and MT4, and also conform to the essential requirements stated in article 3 of the following EC directive, for the intended use of products:

- 1999/5/EC; DIRECTIVE 1999/5/EC OF THE EUROPEAN PARLIAMENT AND COUNCIL of 9 March 1999 regarding radio equipment and telecommunications terminal equipment and the mutual recognition of their conformity

According to the following harmonised health protection standards: EN 50371:2002;

Electric safety: EN 60950-1:2001;

Electromagnetic compatibility : EN 301 489-1V1.6.1:2006; EN 301 489-3V1.4.1:2002

Radio spectrum: EN 300220-2V2.1.1:2006

The product also complies with the requirements of the following EC directives, as amended by Directive 93/68/EEC of the European Council of 22 July 1993:

- The models XA432, XA432E, comply with the 73/23/EEC, DIRECTIVE 73/23/EEC OF THE EUROPEAN COUNCIL of 19 February 1973 regarding the approximation of member state legislation related to electrical material destined for use within specific voltage limits

according to following harmonised standard:

EN 60335-1:1994+A11:1995+A1:1996+A13:1998 +A14:1998+A15:2000+A2:2000+A16:2001;

- The models XA432, XA432E, MT4, MP, MK, MF, and MB , comply with the 89/336/EEC DIRECTIVE 89/336/EEC OF THE EUROPEAN COUNCIL of 3 May 1989 regarding the approximation of member state legislation related to electromagnetic compatibility.

According to the following harmonised standards: EN 61000-6-2:2001; EN 61000-6-3:2001+A11:2004

- The models XA432, XA432E, , and also comply, within the constraints of applicable parts, with the following standards:

EN 60335-1:2002+A1:2004+A11:2004, EN 60335-2-103:2003, EN 13241-1:2003, EN 12453:2002, EN 12445:2002, EN 12978:2003

Lauro Buoro
(Managing director)




CE DECLARATION OF CONFORMITY

In conformity with Directive 98/37/EC, Appendix II, part A (EC declaration of conformity for machinery)

The undersigned / company:

(name or company name of the person responsible for commissioning of the power-operated gate)

(address)

Hereby declares under his/her sole responsibility that:

The automation:

power-operated swing gate

power-operated swing door

power-operated sliding gate

Serial N°:

Year of manufacture:

Location (address):

Complies with the essential requirements of the following directives:

98/37/EC	Machinery Directive
89/336/EEC	Electromagnetic compatibility directive
73/23/EEC	Low Voltage Directive
99/5/EC	R&TTE Directive

and the specifications, as applicable, of the following standards:

EN 13241-1	Industrial, commercial and garage doors and gates. Product standard Products without fire resistance or smoke control characteristics.
EN 12445	Industrial, commercial and residential doors and gates. Safety in use of Power-operated doors and gates – Test Methods
EN 12453	Industrial, commercial and residential doors and gates. Safety in use of Power-operated doors and gates - Requirements

Name

Signature

Date

Place



MAINTENANCE SCHEDULE

Caution! – All maintenance work on this system must be carried out by qualified technical personnel, in full compliance with the safety standards provided for by the laws in force and the safety instructions specified in STEP 1 - “General safety warnings and precautions”, found at the beginning of this manual.

Note – If the system features other devices which are not mentioned in this manual, please see the respective maintenance schedules for the instructions to follow.

Assuming the automation in question is put to normal household use, we recommend a regular system check-up **every 6 months**; if the automation is put to particularly frequent use, or the leaf moves at high speeds, the check-up should be carried out **upon completion of a certain cycle of manoeuvres**.

To calculate this number of manoeuvres, please refer to the estimated durability parameter (see “Product’s technical characteristics”); the maintenance must be carried out **every time 10% of total number of the manoeuvre cycles set for this parameter is reached**; for example, if the total durability is 100,000 manoeuvre cycles, the work must be carried out every 10,000 cycles.

The following checks and replacements must be performed at the intervals scheduled for maintenance:

- A.** Disconnect all electric power sources (including buffer batteries).
- B.** Check all the equipment comprising the automation for wear and tear; then check the moving parts to assess their degree of wear, looking out for any erosion or oxidation on structural parts too. If necessary, replace the parts which do not offer sufficient guarantees.
- C.** Make sure the product is securely anchored to the fastening surface and that the fastening nuts are well tightened.
- D.** Check the manual manoeuvre release mechanism is in good working order; the force required to operate the release mechanism must not exceed 220 N.
- E.** Reconnect the electric power sources and carry out the following checks in the order in which they are given:

1 Using the transmitter, perform a few trial gate opening and closing manoeuvres, making sure the leaf moves as envisaged (**Note** – when you restore the electricity, the first manoeuvre activated will be performed by the automation at low speed, regardless of the type of speed set).

It is worthwhile running a series of tests in order to evaluate the smoothness of the gate’s motion and to check for assembly flaws, mis-adjustment, and the presence of any friction points.

2 Check, one by one, that all the safety devices featured in the system (photocells, sensitive edges, etc.) work properly. **Photocells:** set off the device during an *opening* or *closing* manoeuvre and check that the control unit stops the manoeuvre and reverses the movement completely (the lamp flashes twice, stops, and then repeats the two flashes). **Sensitive edges:** set off the device during an *opening* or *closing* manoeuvre and check that the control unit stops the manoeuvre and reverses the movement for a short while (the lamp flashes four times, stops, and then repeats the four flashes).

3 Check that there are no interferences between the photocells and the other devices by proceeding as outlined below: break up the optical axis linking the pair of photocells (**fig. 71**) by moving a cylinder (diameter: 5 cm, length: 30 cm) in front of the TX photocell first of all, then near the RX, and finally between the two. Next, make sure the device is triggered in all eventualities, by switching from the *active* status to the *alarm* status, and back again; last of all, check that this causes the action envisaged in the control unit (e.g. in the *closing* manoeuvre, it should result in inversion of movement).

4 After positioning an obstacle along the gate’s closing trajectory, activate a closing manoeuvre and check that the automatism reverses the movement as soon as the gate touches the obstacle (safety manoeuvre).

Caution! – For the obstacle, use a 50 cm long piece of wood which is wide enough to be hit by the leaf. Position the obstacle as shown in **fig. 72**.

MAINTENANCE REGISTER

Important – Before passing this maintenance register on to the owner of the automatism, make sure all the gaps are filled in with the information required.

This register must contain a list of all the maintenance activities, repair work and alterations to the automatism. The register must be updated every time work is carried out and must be stored carefully so that it is available for any inspections that may be required by the relative authorities.

This Maintenance Register is issued for the following automatism:

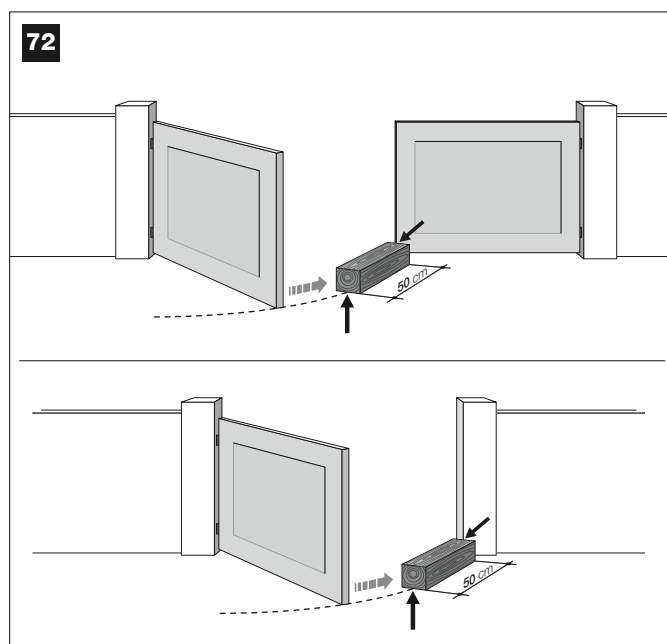
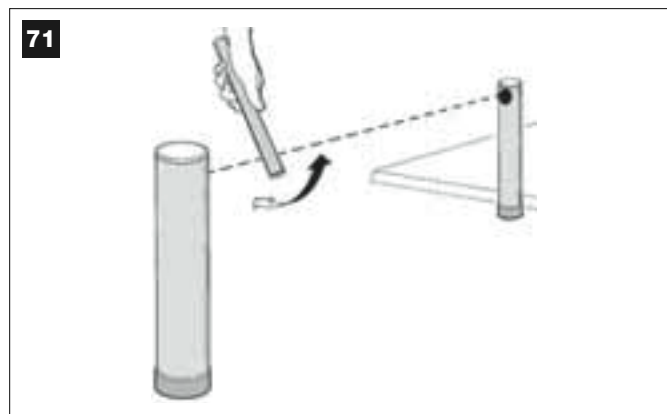
model:
 serial n
 installation date
 installation location

The attached documents listed below constitute a part of this Maintenance Register:

- 1) - Maintenance schedule
- 2) -
- 3) -
- 4) -
- 5) -
- 6) -

According to the “Maintenance Schedule” attached, the maintenance operations must be carried out with the following regularity:

every months, or **every** manoeuvre cycles, whichever comes first.



MANUALE PER L'USO

(Da consegnare all'utilizzatore finale dell'automazione)

AVVERTENZE E PRECAUZIONI PER L'USO

⚠ È assolutamente vietato toccare parti dell'automazione mentre il cancello o il portone è in movimento!

• Prima di usare per la prima volta l'automazione, dedicate qualche minuto alla lettura del presente manuale per l'uso, consegnatovi da chi ha installato l'automazione. Inoltre, fatevi spiegare da questo l'origine dei rischi residui.

• Conservate il presente manuale per ogni dubbio futuro e consegnatelo ad un eventuale nuovo proprietario dell'automazione.

• La vostra automazione è un macchinario che esegue fedelmente i vostri comandi; un uso incosciente ed improprio può farlo diventare pericoloso. Non comandate il movimento dell'automazione se nel suo raggio di azione si trovano persone, animali o cose.

• **Bambini:** questo impianto di automazione garantisce un alto grado di sicurezza, impedendo con i suoi sistemi di rilevazione il movimento in presenza di persone o cose. Inoltre, garantisce un'attivazione sempre prevedibile e sicura. In ogni caso, è prudente vietare ai bambini di giocare in prossimità dell'automazione. Per evitare attivazioni involontarie dell'automazione non lasciare i trasmettitori alla loro portata (il trasmettitore non è un gioco!).

• Controllate frequentemente l'automazione alla ricerca di eventuali segni di usura, danni o sbilanciamento. Sospendere immediatamente l'uso se è necessaria una manutenzione.

• Verificare periodicamente il corretto funzionamento delle fotocellule e far eseguire almeno ogni 6 mesi i controlli di manutenzione previsti.

• Le fotocellule non sono un dispositivo di sicurezza ma soltanto un dispositivo ausiliario alla sicurezza. Queste sono costruite con tecnologia ad altissima affidabilità ma possono, in situazioni estreme, subire malfunzionamenti o addirittura guastarsi. **Attenzione!** – In certi casi il guasto potrebbe non essere subito evidente.

⚠ È assolutamente vietato transitare mentre il cancello o il portone è in movimento!

• Non appena notate qualunque comportamento anomalo da parte dell'automazione, per sicurezza togliere l'alimentazione elettrica all'impianto. Non tentare da soli nessuna riparazione ma richiedere l'intervento del vostro installatore di fiducia. Nel frattempo l'impianto potrà funzionare con *Apertura e Chiusura* manuale, sbloccando manualmente i motoriduttori come descritto in questo manuale.

• In caso di mancanza dell'energia elettrica, al ripristino della corrente la prima manovra comandata verrà eseguita dall'automazione a velocità ridotta, indipendentemente dal tipo di velocità impostata.

• Non modificare l'impianto ed i parametri di programmazione e regolazione dell'automazione, anche se pensate di essere in grado di farlo: la responsabilità è di chi ha installato l'automazione.

• Il collaudo, le manutenzioni periodiche e le eventuali riparazioni devono essere documentate da chi le esegue e i documenti devono essere conservati dal proprietario dell'impianto.

• Al termine della vita dell'automazione, assicurarsi che lo smantellamento sia eseguito da personale qualificato e che i materiali vengano riciclati o smaltiti secondo le norme vigenti sul territorio.

INTERVENTI DI MANUTENZIONE CONCESSI ALL'UTILIZZATORE

La vostra automazione ha bisogno di una manutenzione periodica affinché possa funzionare più a lungo possibile ed in completa sicurezza. Gli interventi di controllo, manutenzione o riparazione devono essere eseguiti solo da personale qualificato.

Concordare con chi ha effettuato l'installazione un piano di manutenzione con frequenza periodica: *Nice consiglia un intervento ogni 6 mesi per un normale utilizzo domestico, ma questo periodo può variare in funzione dell'intensità dell'uso.*

L'utilizzatore può e deve effettuare periodicamente solo la pulizia dei vetri delle fotocellule e la rimozione di eventuali foglie o sassi che potrebbero ostacolare l'automatismo.

• Per la pulizia superficiale dei dispositivi, utilizzare un panno leggermente umido (non bagnato). **Importante** – Non utilizzare sostanze contenenti alcool, benzene, diluenti o altre sostanze infiammabili. L'uso di tali sostanze potrebbe danneggiare i dispositivi e generare incendi o scosse elettriche.

• Prima di procedere alla pulizia, per impedire che qualcuno possa azionare inavvertitamente il cancello, sbloccare l'automatismo come descritto in questo manuale.

PER COMANDARE IL CANCELLO

Con Trasmettitore MT4

I tasti del trasmettitore hanno i seguenti comandi:

COMANDO(*)

Tasto T1

Tasto T2

Tasto T3

Tasto T4

(*) Questa tabella deve essere compilata da chi ha effettuato la programmazione.

Con Tastiera MK

I tasti della tastiera hanno i seguenti comandi:

COMANDO(*)

Tasto A

Tasto B

Tasto C

Tasto D

Tasto OK

(*) Questa tabella deve essere compilata da chi ha effettuato la programmazione.

Con i dispositivi di sicurezza fuori uso

Con i dispositivi di sicurezza fuori uso, se si invia un comando la manovra non parte e il segnalatore lampeggiante emette alcuni lampeggi: *il numero di questi lampeggi dipende dall'anomalia in corso; quindi, fare riferimento alla Tabella 6 per capire la natura del problema.*

Importante – Con i dispositivi di sicurezza fuori uso è necessario far riparare quanto prima l'automatismo.



BLOCCARE O SBLOCCARE MANUALMENTE IL MOTORIDUTTORE

Il motoriduttore è dotato di un sistema meccanico che consente di aprire e chiudere il cancello manualmente.

Queste operazioni manuali devono essere eseguite nei casi di mancanza di corrente elettrica o di anomalie di funzionamento. In quest'ultimo caso, l'uso del meccanismo di sblocco può essere utile anche per verificare se il guasto dipende dal meccanismo stesso (ad esempio potrebbe essere stretto male).

Nota – In caso di mancanza di corrente elettrica, per muovere il cancello è possibile usufruire anche della batteria tampone (mod. MB), se questa è presente nell'impianto.

Per sbloccare manualmente il motoriduttore, utilizzare la chiave di sblocco in dotazione nel modo seguente:

01. Inserire la chiave nell'apposito perno di sblocco.
02. Ruotare di 180° la chiave in senso orario.
03. A questo punto sarà possibile muovere manualmente l'anta del cancello nella posizione desiderata.
04. Per ripristinare la funzionalità dell'automatismo, ruotare in senso antiorario l'apposita chiave sul perno di sblocco e muovere manualmente l'anta fino a quando si sente il rumore meccanico di aggancio dell'anta al meccanismo di traino.
05. Infine, togliere la chiave dal perno di sblocco e conservarla.

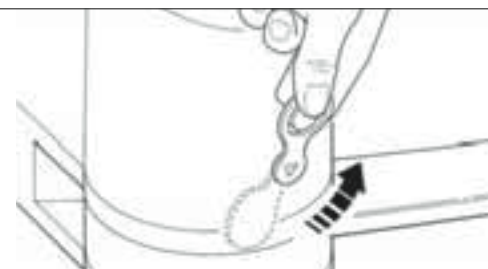
01



02



04



SOSTITUZIONE DELLA PILA DEL TRASMETTITORE

Quando la pila è scarica, il trasmettitore riduce sensibilmente la portata. In particolare, premendo un tasto si nota che l'intensità della luce del Led si affievolisce (= pila totalmente scarica).

In questi casi, per ripristinare il regolare funzionamento del trasmettitore, occorre sostituire la pila scarica con una dello stesso tipo (CR2032), rispettando la polarità indicata.

Per la sostituzione della pila procedere nel modo seguente:

01. Alzare il bordo della cornice sul retro del trasmettitore.



02. Mantenendo alzata la cornice, spingere con un dito il copri pila, come mostrato nella figura di seguito.



03. A questo punto, rimuovere la vecchia pila e sostituirla con quella nuova, facendo attenzione ad inserire quest'ultima rispettando la polarità indicata (il segno + verso il basso).



04. Quindi, tenendo il trasmettitore con i tasti rivolti verso l'alto, reinserte il copri pila nella sua sede iniziale facendo in modo che la "lamella" rappresentata in colore grigio stia sopra la pila, come mostrato nella figura di seguito.



05. Infine, abbassare il bordo della cornice sul retro del trasmettitore fino a sentire un piccolo scatto.

Smaltimento della pila

Attenzione! – La pila scarica contiene sostanze inquinanti e quindi, non deve essere buttata nei rifiuti comuni. Occorre smaltirla utilizzando i metodi di raccolta 'separata', previsti dalle normative vigenti nel vostro territorio.

DICHIARAZIONE CE DI CONFORMITÀ

Nota: Il contenuto di questa dichiarazione corrisponde a quanto dichiarato nel documento ufficiale, alla data del 5 Aprile 2007, depositato presso la sede di Nice S.p.a., e in particolare, alla sua ultima revisione disponibile prima della stampa di questo manuale. Il testo qui presente è stato rieditato per motivi editoriali.

XA432, XA432E, MT4, MP, MK e, MF sono prodotti da NICE S.p.a. (TV) I/MOOVO è un marchio commerciale di proprietà di Nice S.p.a.

Numero: **XA..** Revisione: **0**

Il sottoscritto Lauro Buoro in qualità di Amministratore Delegato, dichiara sotto la propria responsabilità che il prodotto:

Nome produttore: NICE s.p.a.

Indirizzo: Via Pezza Alta 13, 31046 Z.I. Rustignè, Oderzo (TV) Italia

Tipo: Motoriduttori elettromeccanici e relativi accessori serie "MOOVO"

Modelli: XA432, XA432E, MT4, MP, MK, MF, MB

I modelli XA432, XA432E, risultano conformi a quanto previsto dalla direttiva comunitaria :

- 98/37/CE (89/392/CEE modificata); DIRETTIVA 98/37/CE DEL PARLAMENTO EUROPEO E DEL CONSIGLIO del 22 giugno 1998 concernente il ravvicinamento delle legislazioni degli Stati membri relative alle macchine

Come previsto dalla direttiva 98/37/CE si avverte che non è consentita la messa in servizio dei prodotti sopra indicati finché la macchina, in cui il prodotto è incorporato, non sia stata identificata e dichiarata conforme alla direttiva 98/37/CE.

Inoltre i modelli XA432E e MT4 risultano conformi ai requisiti essenziali richiesti dall'articolo 3 dalla seguente direttiva comunitaria, per l'uso al quale i prodotti sono destinati:

- 1999/5/CE DIRETTIVA 1999/5/CE DEL PARLAMENTO EUROPEO E DEL CONSIGLIO del 9 marzo 1999 riguardante le apparecchiature radio e le apparecchiature terminali di telecomunicazione e il reciproco riconoscimento della loro conformità

Secondo le seguenti norme armonizzate protezione della salute : EN 50371:2002;

sicurezza elettrica : EN 60950-1:2001;

compatibilità elettromagnetica : EN 301 489-1V1.6.1:2006; EN 301 489-3V1.4.1:2002

spettro radio : EN 300220-2V2.1.1:2006

Inoltre il prodotto risulta conforme a quanto previsto dalle seguenti direttive comunitarie, così come modificate dalla Direttiva 93/68/CEE del consiglio del 22 Luglio 1993:

- I modelli XA432, XA432E risultano conformi alla 73/23/CEE; DIRETTIVA 73/23/CEE DEL CONSIGLIO del 19 febbraio 1973 concernente il ravvicinamento delle legislazioni degli Stati membri relative al materiale elettrico destinato ad essere adoperato entro taluni limiti di tensione

Secondo la seguente norma armonizzata:

EN 60335-1:1994+A11:1995+A1:1996+A13:1998 +A14:1998+A15:2000+A2:2000+A16:2001;

- I modelli XA432, XA432E, MT4, MP, MK, MF, MB risultano conformi alla 89/336/CEE; DIRETTIVA 89/336/CEE DEL CONSIGLIO del 3 maggio 1989, per il ravvicinamento delle legislazioni degli Stati membri relative alla compatibilità elettromagnetica

Secondo le seguenti norme armonizzate: EN 61000-6-2:2001; EN 61000-6-3:2001+A11:2004

- Inoltre i modelli XA432, XA432E risultano conformi, limitatamente per le parti applicabili, alle seguenti norme:

EN 60335-1:2002+A1:2004+A11:2004, EN 60335-2-103:2003, EN 13241-1:2003, EN 12453:2002, EN 12445:2002, EN 12978:2003

Lauro Buoro
(Amministratore delegato)




DICHIARAZIONE CE DI CONFORMITÀ

Secondo la direttiva 98/37/CE ALLEGATO II parte A (dichiarazione CE di conformità per le macchine)

Il sottoscritto / ditta:

(nome o ragione sociale di chi ha messo in servizio il cancello motorizzato)

(indirizzo)

Dichiara sotto la propria responsabilità che:

- L'automazione:**
- cancello ad ante battenti motorizzato
 - portone ad ante battenti motorizzato
 - cancello scorrevole motorizzato

Matricola N°:

Anno di fabbricazione:

Ubicazione (indirizzo):

Soddisfa i requisiti essenziali delle seguenti direttive:

- | | |
|------------|--|
| 98/37/CE | Direttiva "Macchine" |
| 89/336/CEE | Direttiva sulla compatibilità elettromagnetica |
| 73/23/CEE | Direttiva "bassa tensione" |
| 99/5/CE | Direttiva "R&TTE" |

e quanto previsto, per le parti applicabili, dalle seguenti norme:

- | | |
|------------|--|
| EN 13241-1 | Porte e cancelli industriali, commerciali e da autorimessa. Norma di prodotto. Prodotti senza caratteristiche di resistenza al fuoco o controllo del fumo. |
| EN 12445 | Porte e cancelli industriali, commerciali e residenziali. Sicurezza in uso di porte motorizzate - Metodi di prova. |
| EN 12453 | Porte e cancelli industriali, commerciali e residenziali. Sicurezza in uso di porte motorizzate - Requisiti. |

Nome

Firma

Data

Luogo

PIANO DI MANUTENZIONE

Attenzione! – La manutenzione dell'impianto deve essere effettuata da personale tecnico e qualificato, nel pieno rispetto delle norme per la sicurezza previste dalle leggi vigenti e delle prescrizioni sulla sicurezza riportate nel PASSO 1 - "Avvertenze e precauzioni generali per la sicurezza", presente all'inizio di questo manuale.

Nota – Se nell'impianto sono presenti altri dispositivi non citati in questo manuale, per la loro manutenzione seguire le disposizioni previste nei rispettivi piani di manutenzione.

Considerando un normale utilizzo domestico dell'automazione, si consiglia di eseguire un controllo periodico dell'impianto **ogni 6 mesi** o, nei casi di utilizzo frequente dell'automazione e nei casi di movimento veloce dell'anta, **al compimento di un determinato ciclo di manovre**.

Per calcolare questo numero di manovre fare riferimento al parametro della **durabilità stimata** (vedere nelle "Caratteristiche tecniche del prodotto"), pianificando un intervento di manutenzione **al compimento di ogni 10% delle manovre fissate da questo parametro**; ad esempio, se la durabilità totale fosse di 100.000 cicli di manovre, la manutenzione deve essere fatta ogni 10.000 cicli.

Alla cadenza prevista per la manutenzione, occorre eseguire i seguenti controlli e sostituzioni:

A. Scollegare qualsiasi sorgente di alimentazione elettrica, comprese le eventuali batterie tampone.

B. Verificare lo stato di deterioramento di tutti i materiali che compongono l'automazione; inoltre, valutare il grado di usura delle parti in movimento e osservare se sono in atto fenomeni di erosione o di ossidazione delle parti strutturali: eventualmente, sostituire le parti che non forniscono sufficienti garanzie.

C. Verificare che il prodotto sia perfettamente ancorato alla superficie di fissaggio e che i dadi di fissaggio siano ben serrati.

D. Verificare l'efficienza del meccanismo di sblocco per la manovra manuale; la forza necessaria per azionare lo sblocco deve essere inferiore a 220 N.

E. Ricollegare le sorgenti di alimentazione elettrica ed eseguire nella sequenza indicata le seguenti verifiche:

1 Utilizzando il trasmettitore, effettuare delle prove di chiusura e apertura del cancello, accertando che il movimento dell'anta corrisponda a quanto previsto (**Nota** – Al ripristino della corrente elettrica, la prima manovra comandata verrà eseguita dall'automazione a velocità ridotta, indipendentemente dal tipo di velocità impostata).

È opportuno eseguire diverse prove al fine di valutare la fluidità del movimento del cancello e di accertare eventuali difetti di montaggio, di regolazione, nonché la presenza di particolari punti d'attrito.

2 Verificare uno ad uno il corretto funzionamento di tutti i dispositivi di sicurezza presenti nell'impianto (fotocelle, bordi sensibili ecc.). **Fotocelle:** far intervenire il dispositivo durante una manovra di *Apertura* o di *Chiusura* e verificare che la Centrale fermi la manovra ed esegua un'inversione totale del movimento (il lampeggiante emette 2 lampeggi, ripetuti una seconda volta). **Bordi sensibili:** far intervenire il dispositivo durante una manovra di *Apertura* o di *Chiusura* e verificare che la Centrale fermi la manovra ed esegua una breve inversione del movimento (il lampeggiante emette 4 lampeggi, ripetuti una seconda volta).

3 Verificare che non vi siano interferenze tra le fotocelle e altri dispositivi, operando nel modo seguente: interrompere l'asse ottico che unisce la coppia di fotocelle (**fig. 71**) passando un cilindro (diametro 5 cm e lunghezza 30 cm) prima vicino alla fotocella TX, poi vicino alla RX e infine al centro tra queste due. Quindi, accertare che il dispositivo intervenga in tutti i casi, passando dallo stato *attivo* a quello di *allarme* e viceversa; infine, accertare che provochi nella Centrale l'azione prevista (ad esempio, l'inversione del movimento nella manovra di *Chiusura*).

4 Dopo aver posizionato un ostacolo lungo la traiettoria di chiusura del cancello, comandare una manovra di chiusura e verificare che l'automatismo inverta il movimento appena il cancello tocca l'ostacolo (manovra di sicurezza).

Attenzione! – utilizzare come ostacolo un pezzo di legno lungo 50 cm e di sezione adeguata affinché possa essere colpito dall'anta. Quindi, posizionare l'ostacolo come mostrato in fig. 72.

REGISTRO DI MANUTENZIONE

Importante – Questo registro di manutenzione deve essere consegnato al proprietario dell'automazione dopo averlo compilato nelle parti richieste.

Nel presente Registro devono essere elencate tutte le attività di manutenzione, di riparazione e di modifica svolte. Il Registro dovrà essere aggiornato ad ogni intervento e conservato con cura per essere disponibile per eventuali ispezioni da parte di organismi autorizzati.

Il presente Registro di manutenzione si riferisce al seguente automatismo:

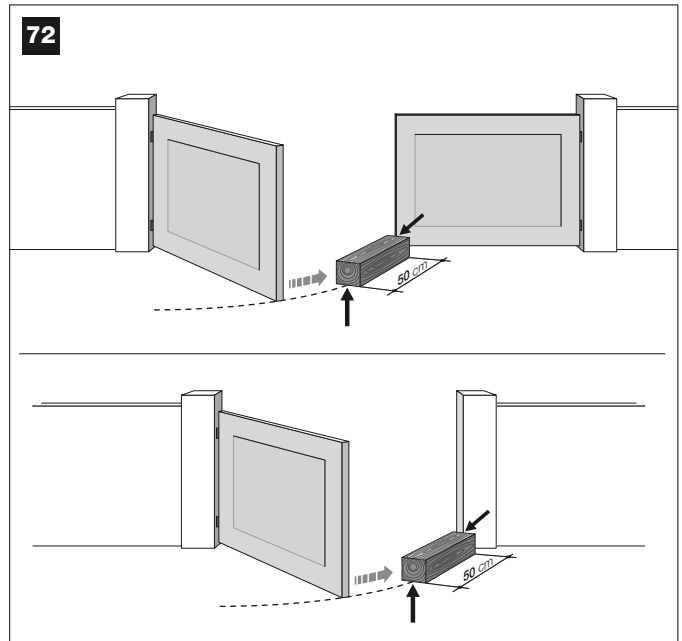
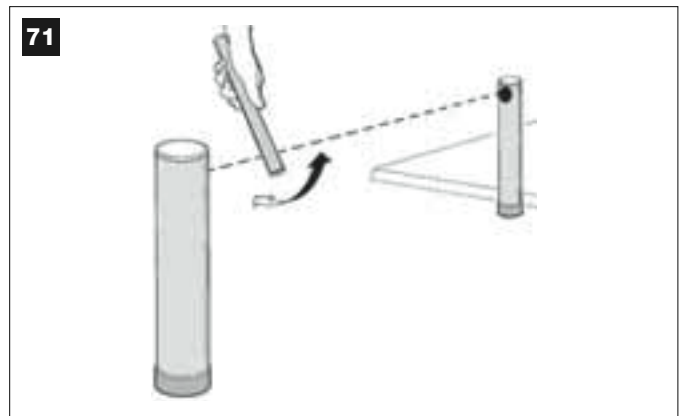
mod.
 matricola n°
 installato in data
 presso.....

Fanno parte di questo Registro di manutenzione i seguenti documenti allegati:

- 1) - Piano di manutenzione
- 2) -
- 3) -
- 4) -
- 5) -
- 6) -

Secondo il documento allegato "Piano di Manutenzione", le operazioni di manutenzione devono essere svolte con la seguente periodizzazione:

ogni mesi, oppure **ogni** cicli di manovre, secondo l'evento che si verifica per prima.



GUIDE DE L'UTILISATEUR

(À remettre à l'utilisateur final de l'automatisme)

RECOMMANDATIONS ET PRÉCAUTIONS POUR L'UTILISATION

⚠ Il est absolument interdit de toucher des parties de l'automatisme quand le portail ou la porte sont en mouvement !

• Avant d'utiliser pour la première fois l'automatisme, consacrez quelques minutes à la lecture de ce guide, qui vous a été remis par l'installateur de l'automatisme. D'autre part, faites vous expliquer par ce dernier l'origine des risques résiduels.

• Conservez ce guide pour pouvoir le consulter pour n'importe quel doute futur et remettez-le à tout nouveau propriétaire de l'automatisme.

• Votre automatisme est un équipement qui exécute fidèlement vos commandes ; une utilisation inconsciente et incorrecte peut le rendre dangereux. Ne commandez pas le mouvement de l'automatisme si des personnes, des animaux ou des objets se trouvent dans son rayon d'action.

• **Enfants** : cet automatisme garantit un haut niveau de sécurité, en empêchant grâce à ses systèmes de détection le mouvement en présence de personnes ou de choses. De plus, il garantit une activation toujours prévisible et sûre. Dans tous les cas, il est prudent de ne pas laisser les enfants jouer à proximité de l'automatisme. Pour éviter des activations involontaires de l'automatisme, ne pas laisser les émetteurs à leur portée (l'émetteur n'est pas un jouet !)

• Contrôlez fréquemment l'automatisme à la recherche d'éventuels signes d'usure, dommages ou déséquilibres. Suspendre immédiatement l'utilisation si une maintenance est nécessaire.

• Vérifier périodiquement le fonctionnement correct des photocellules et faire effectuer au moins tous les 6 mois les contrôles de maintenance prévus.

• Les photocellules ne sont pas un dispositif de sécurité mais uniquement

un dispositif auxiliaire à la sécurité. Elles sont construites avec une technologie à très haute fiabilité mais peuvent subir, dans des situations extrêmes, des problèmes de fonctionnement ou tomber en panne. **Attention !** – dans certains cas, la panne pourrait ne pas être immédiatement évidente.

⚠ Il est absolument interdit de transiter quand le portail ou la porte est en mouvement !

• Dès que l'on remarque une anomalie quelconque dans le fonctionnement de l'automatisme, par sécurité il faut couper l'alimentation électrique de l'installation. Ne jamais tenter de réparer soi-même l'automatisme mais demander l'intervention de l'installateur de confiance. Dans l'intervalle, l'installation pourra fonctionner avec l'Ouverture et la Fermeture manuelles, en débrayant les opérateurs comme décrit dans ce guide.

• En cas de coupure de l'énergie électrique, au retour du courant la première manœuvre commandée sera effectuée par l'automatisme à vitesse réduite, indépendamment du type de vitesse programmé.

• Ne pas modifier l'installation ni les paramètres de programmation et de réglage de l'automatisme, même si l'on pense en être capables : la responsabilité en incombe à qui a installé l'automatisme.

• L'essai de fonctionnement final, les maintenances périodiques et les éventuelles réparations doivent être documentés par la personne qui s'en charge et les documents doivent être conservés par le propriétaire de l'installation.

• À la fin de la vie de l'automatisme, s'assurer que le démantèlement est effectué par du personnel qualifié et que les matériaux sont recyclés ou mis au rebut en respectant les normes locales en vigueur.

INTERVENTIONS D'ENTRETIEN AUTORISÉES À L'UTILISATEUR

L'automatisme a besoin d'une maintenance périodique pour pouvoir fonctionner le plus longtemps possible et en toute sécurité. Les interventions de contrôle, maintenance ou réparation doivent être exécutées exclusivement par du personnel qualifié.

Programmer avec qui a effectué l'installation un plan de maintenance suivant une fréquence périodique : *Nice conseille une intervention tous les 6 mois pour une utilisation domestique normale, mais cette période peut varier en fonction de l'intensité d'utilisation.*

L'utilisateur peut et doit effectuer périodiquement uniquement le nettoyage des verres des photocellules et l'élimination des feuilles et des cailloux qui pourraient bloquer l'automatisme.

• Pour le nettoyage superficiel des dispositifs, utiliser un chiffon légèrement humide (pas mouillé). **Important** – Ne pas utiliser de substances contenant de l'alcool, du benzène, des diluants ou autres substances inflammables. L'utilisation de ces substances pourrait endommager les dispositifs et provoquer des incendies ou des décharges électriques.

• Avant de procéder au nettoyage, pour éviter que le portail puisse être actionné par quelqu'un d'autre, débrayer l'automatisme comme décrit dans ce guide.

POUR COMMANDER LE PORTAIL

Avec Émetteur MT4

Les touches de l'émetteur ont les commandes suivantes :

COMMANDE (*)

Touche **T1**

Touche **T2**

Touche **T3**

Touche **T4**

(*) Ce tableau doit être rempli par qui a effectué la programmation.

Avec Clavier MK

Les touches du clavier ont les commandes suivantes :

COMMANDE (*)

Touche **A**

Touche **B**

Touche **C**

Touche **D**

Touche **OK**

(*) Ce tableau doit être rempli par qui a effectué la programmation.

Avec les dispositifs de sécurité hors d'usage

Avec les dispositifs de sécurité hors d'usage, si on envoie une commande la manœuvre ne commence pas et l'indicateur clignotant émet quelques clignotements : *le nombre de clignotements dépend de l'anomalie en cours ; se référer par conséquent au Tableau 6 pour comprendre la nature du problème.*

Important – Avec les dispositifs de sécurité hors service, il faut faire réparer au plus tôt l'automatisme.



BLOQUER OU DÉBRAYER MANUELLEMENT L'OPÉRATEUR

L'opérateur est muni d'un système mécanique qui permet d'ouvrir et de fermer manuellement le portail.

Ces opérations manuelles doivent être effectuées en cas de manque de courant électrique ou d'anomalies de fonctionnement. Dans ce dernier cas, l'utilisation du mécanisme de débrayage peut être utile également pour vérifier si la panne dépend du mécanisme proprement dit (par exemple il pourrait être mal serré).

Note – En cas de coupure de courant, pour manœuvrer le portail on peut utiliser également la batterie tampon (mod. MB) si l'installation en est équipée.

Pour le débrayage manuel de l'opérateur, utiliser la clé de débrayage fournie en procédant de la façon suivante :

01. Introduire la clé dans l'axe de débrayage.
02. Tourner la clé de 180° dans le sens des aiguilles d'une montre.
03. Il est maintenant possible de déplacer manuellement le vantail dans la position désirée.
04. Pour rétablir le bon fonctionnement de l'automatisme, introduire la clé dans l'axe de débrayage et la tourner dans le sens inverse des aiguilles d'une montre puis déplacer manuellement le vantail jusqu'à ce qu'on entende le bruit mécanique indiquant l'enclenchement du vantail au mécanisme d'entraînement.
05. Retirer la clé de l'axe de débrayage et la conserver.

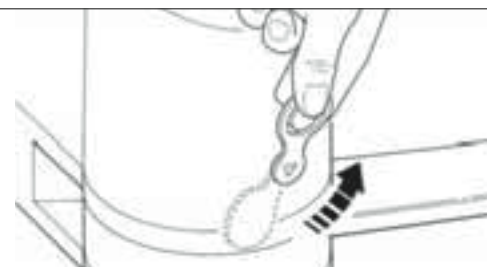
01



02



04



REPLACEMENT DE LA PILE DE L'ÉMETTEUR

Quand la pile est usagée, la portée de l'émetteur est sensiblement réduite. En particulier, en pressant une touche on remarque que l'intensité de la lumière émise par la Led faiblit (= pile complètement à plat).

Dans ce cas, pour rétablir le fonctionnement normal de l'émetteur, changer la pile usagée en utilisant une pile du même type (CR2032), en respectant la polarité indiquée.

Pour le remplacement de la pile procéder de la façon suivante :

01. Soulever le bord du cadre sur l'arrière de l'émetteur.



02. En maintenant le cadre soulevé, pousser d'un doigt le couvercle de la pile, comme l'indique la figure ci-après.



03. Enlever la pile usagée et la remplacer par une neuve, en faisant attention à la mettre en place en respectant la polarité indiquée (le signe + vers le bas).



04. En tenant l'émetteur avec les touches vers le haut, remettre le couvercle en place en faisant en sorte que la « lamelle » représentée en gris se trouve au-dessus de la pile, comme l'illustre la figure ci-après.



05. Pour finir, abaisser le bord du cadre sur l'arrière de l'émetteur jusqu'au déclic.

Mise au rebut de la pile

Attention ! – La pile usagée contient des substances polluantes et ne doit donc pas être jetée avec les ordures ménagères. Il faut la mettre au rebut en adoptant les méthodes de collecte sélective prévues par les normes en vigueur dans le pays d'utilisation.

DÉCLARATION CE DE CONFORMITÉ

Note : Le contenu de cette déclaration de conformité correspond à ce qui est déclaré dans le document officiel, à la date du 5 avril 2007, déposé au siège de Nice S.p.a., et en particulier à sa dernière révision disponible avant l'impression de ce guide. Le texte ici présent a été réadapté pour des raisons d'édition.

XA432, XA432E, MT4, MP, MK et MF sont produits par NICE S.p.a. (TV) I / MOOVO est une marque commerciale dont Nice S.p.a. est propriétaire.

Numéro : **XA4..** Révision : **0**

Je soussigné Lauro Buoro en qualité d'Administrateur Délégué, déclare sous mon entière responsabilité que le produit :

Nom du producteur : NICE s.p.a.

Adresse : Via Pezza Alta 13, 31046 Z.I. Rustignè, Oderzo (TV) Italie

Type : Opérateurs électromécaniques et accessoires correspondants de la série « MOOVO »

Modèles : XA432, XA432E, MT4, MP, MK, MF, MB

Les modèles XA432, XA432E sont conformes à ce qui est prévu par la directive communautaire :

- 98/37/CE (89/392/CEE modifiée) ; DIRECTIVE 98/37/CE DU PARLEMENT EUROPÉEN ET DU CONSEIL du 22 juin 1998 concernant le rapprochement des législations des États membres relatives aux machines

Comme le prévoit la directive 98/37/CE, nous avertissons que la mise en service des produits susmentionnés n'est pas autorisée tant que la machine dans laquelle le produit est incorporé n'a pas été identifiée et déclarée conforme à la directive 98/37/CE.

En outre, les modèles XA432 et MT4 sont conformes aux exigences essentielles requises par l'article 3 de la directive communautaire suivante, pour l'usage auquel ces produits sont destinés :

- 1999/5/CE DIRECTIVE 1999/5/CE DU PARLEMENT EUROPÉEN ET DU CONSEIL du 9 mars 1999 concernant les équipements hertziens et les équipements terminaux de télécommunication et la reconnaissance mutuelle de leur conformité

Selon les normes harmonisées suivantes – protection de la santé : EN 50371:2002 ;
sécurité électrique : EN 60950-1:2001 ;
compatibilité électromagnétique : EN 301 489-1V1.6.1:2006; EN 301 489-3V1.4.1:2002
spectre radio : EN 300220-2V2.1.1:2006

En outre, le produit résulte conforme à ce qui est prévu par les directives communautaires suivantes, modifiées par la Directive 93/68/CEE du conseil du 22 juillet 1993 :

- Les modèles XA432, XA432E sont conformes à la DIRECTIVE 73/23/CEE DU CONSEIL du 19 février 1973 concernant le rapprochement des législations des États membres relatives au matériel électrique destiné à être employé dans certaines limites de tension

Selon la norme harmonisée suivante :
EN 60335-1:1994+A11:1995+A1:1996+A13:1998 +A14:1998+A15:2000+A2:2000+A16:2001 ;

- Les modèles XA432, XA432E, MT4, MP, MK, MF et MB sont conformes à la DIRECTIVE 89/336/CEE DU CONSEIL du 3 mai 1989 concernant le rapprochement des législations des États membres relatives à la compatibilité électromagnétique.

Selon les normes harmonisées suivantes : EN 61000-6-2:2001; EN 61000-6-3:2001+A11:2004

- Les modèles XA432, XA432E sont également conformes, pour ce qui est des seules parties applicables, aux normes suivantes :

EN 60335-1:2002+A1:2004+A11:2004, EN 60335-2-103:2003, EN 13241-1:2003, EN 12453:2002, EN 12445:2002, EN 12978:2003

Lauro Buoro
(Administrateur délégué)



DÉCLARATION CE DE CONFORMITÉ

suivant la Directive 98/37/CE, Annexe II, partie A (déclaration CE de conformité pour les machines)

Le soussigné / société :

(nom ou raison sociale de qui a mis en service le portail motorisé)

(adresse)

déclare sous sa responsabilité que :

L'automatisme :

portail à battants motorisé

porte à battants motorisée

portail coulissant motorisé

Matricule N° : _____

Année de fabrication : _____

Lieu d'installation (adresse): _____

Satisfait les exigences essentielles des directives suivantes :

98/37/CE Directive « Machines »
89/336/CEE Directive sur la compatibilité électromagnétique
73/23/CEE Directive « basse tension »
99/5/CE Directive « R&TTE »

et ce qui est prévu, pour les parties applicables, par les normes suivantes :

EN 13241-1 Portes et portails équipant les locaux industriels et commerciaux et les garages. Norme de produit. Produits sans caractéristiques coupe-feu ni pare-fumée.

EN 12445 Portes et portails équipant les locaux industriels, commerciaux et résidentiels. Sécurité à l'utilisation des portes motorisées - Méthodes d'essai

EN 12453 Portes et portails équipant les locaux industriels, commerciaux et résidentiels. Sécurité à l'utilisation des portes motorisées - Prescriptions.

Nom _____

Signature _____

Date _____

Lieu _____

PLAN DE MAINTENANCE

Attention ! – La maintenance de l'installation doit être effectuée par du personnel technique et qualifié, dans le plein respect des normes de sécurité prévues par les lois en vigueur et des consignes de sécurité qui figurent dans la PHASE 1 - « Avertissements et précautions générales pour la sécurité », au début de ce guide.

Note – Si l'installation comprend d'autres dispositifs non cités dans ce guide, pour leur maintenance suivre les indications prévues dans le plan de maintenance respectif.

Considérant une utilisation domestique normale de l'automatisme, il est conseillé d'effectuer un contrôle périodique de l'installation **tous les 6 mois** ou, en cas d'utilisation fréquente de l'automatisme et dans les cas de mouvement rapide du vantail, **quand un nombre donné de cycles de manœuvres a été accompli**.

Pour calculer ce nombre de manœuvres, se référer au paramètre de la durabilité estimée (voir dans les « Caractéristiques techniques du produit »), en planifiant une intervention de maintenance **à un intervalle calculé tous les 10% des manœuvres fixées par ce paramètre** ; par exemple, si la durabilité totale est de 100.000 cycles de manœuvre, la maintenance doit être faite tous les 10.000 cycles.

À l'échéance prévue pour la maintenance, il faut effectuer les contrôles et les remplacements suivants :

A. Couper toutes les sources d'alimentation électrique, y compris les éventuelles batteries tampon.

B. Vérifier l'état de détérioration de tous les matériaux qui composent l'automatisme ; évaluer également le degré d'usure des parties en mouvement et observer si des phénomènes d'érosion ou d'oxydation des parties structurelles sont en cours : remplacer éventuellement les parties qui ne donnent pas de garanties suffisantes.

C. Vérifier que le produit est parfaitement ancré sur la surface de fixation et que les écrous sont bien serrés.

D. Vérifier l'efficacité du mécanisme de débrayage pour la manœuvre manuelle ; la force nécessaire pour actionner le débrayage doit être inférieure à 220 N.

E. Reconnecter les sources d'alimentation électrique et effectuer dans l'ordre indiqué les vérifications suivantes :

1 En utilisant l'émetteur, effectuer des essais de fermeture et d'ouverture du portail, en vérifiant que le mouvement du vantail correspond à ce qui est prévu (**Note** – Au rétablissement du courant électrique, la première manœuvre commandée sera exécutée par l'automatisme à vitesse réduite, indépendamment du type de vitesse sélectionné).

Il convient d'effectuer différentes manœuvres pour contrôler la fluidité du mouvement du portail et détecter les éventuels défauts de montage et de réglage ainsi que la présence de points de frottement.

2 Vérifier un par un le fonctionnement correct de tous les dispositifs de sécurité présents dans l'installation (photocellules, bords sensibles, etc.). **Photocellules** : faire intervenir le dispositif durant une manœuvre d'Ouverture ou de Fermeture et vérifier que la logique de commande arrête la manœuvre et effectue une inversion totale du mouvement (le clignotant émet 2 clignotements répétés une deuxième fois). **Bords sensibles** : faire intervenir le dispositif durant une manœuvre d'Ouverture ou de Fermeture et vérifier que la logique de commande arrête la manœuvre et effectue une brève inversion du mouvement (le clignotant émet 4 clignotements répétés une deuxième fois).

3 Vérifier qu'il n'y a pas d'interférences entre les photocellules et d'autres dispositifs, en opérant de la façon suivante : interrompre l'axe optique qui unit la paire de photocellules (**fig. 71**) en passant un cylindre (diamètre 5 cm et longueur 30 cm d'abord près de la photocellule TX, puis près de la RX et enfin au centre, entre les deux photocellules. Vérifier ensuite que le dispositif intervient dans tous les cas, en passant de l'état d'actif à celui d'alarme et vice versa ; puis contrôler qu'il provoque l'action prévue dans la logique de commande (par exemple, l'inversion du mouvement dans la manœuvre de Fermeture).

4 Après avoir placé un obstacle le long de la trajectoire de fermeture du portail, commander une manœuvre de fermeture et vérifier que l'automatisme invertit le mouvement dès que le portail touche l'obstacle (manœuvre de sécurité).

Attention ! – utiliser comme obstacle un morceau de bois de 50 cm de long et d'une section adéquate pour qu'il puisse être touché par le vantail. Positionner ensuite l'obstacle comme indiqué sur la fig. 72.

REGISTRE DE MAINTENANCE

Important – Ce registre de maintenance doit être remis au propriétaire de l'automatisme après l'avoir dûment rempli.

Il faut prendre note dans ce Registre de toutes les activités de maintenance, de réparation et de modification effectuées. Le Registre devra être mis à jour à chaque intervention et conservé avec soin pour être disponible pour d'éventuelles inspections de la part d'organismes autorisés.

Le présent Registre de maintenance se réfère à l'automatisme suivant :

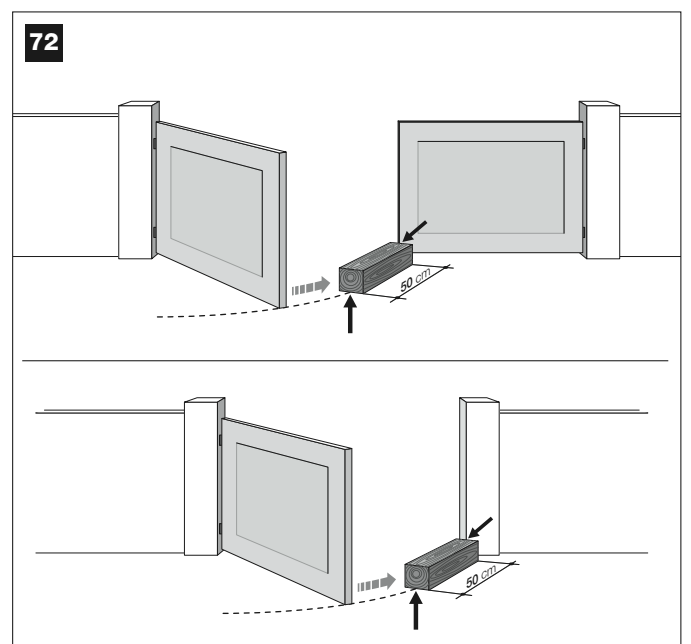
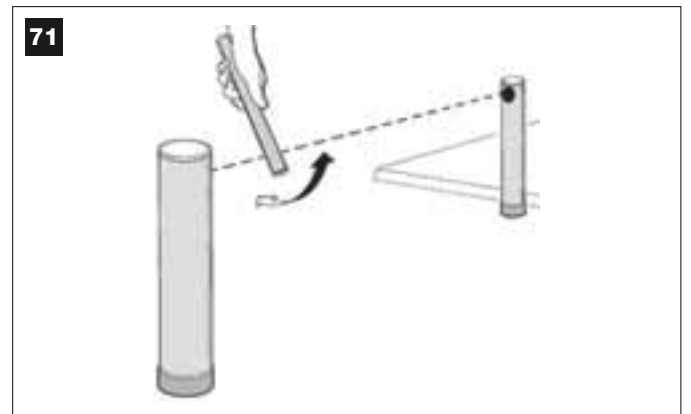
mod.
 n° de série
 installé en date du
 lieu d'installation

Le Registre de maintenance inclut les documents suivants :

- 1) - Plan de maintenance
- 2) -
- 3) -
- 4) -
- 5) -
- 6) -

Sur la base du document joint « Plan de Maintenance », les opérations de maintenance doivent être effectuées en respectant la fréquence suivante :

tous les mois, ou bien tous les cycles de manœuvres, suivant l'évènement qui se vérifie en premier.



MANUAL DE USO

(A entregar al usuario final de la automatización)

ADVERTENCIAS Y PRECAUCIONES PARA EL USO

⚠ ¡Está terminantemente prohibido tocar las partes de la automatización mientras la cancela o el portón se están moviendo!

• Antes de utilizar por primera vez la automatización, dedique algunos minutos para leer este manual de uso que el instalador de la automatización le ha entregado. Pida a su instalador que le explique el origen de los riesgos residuales.

• Conserve este manual por cualquier duda que pueda surgir y entréguelo al nuevo dueño de la automatización en caso de reventa.

• La automatización es una maquinaria que ejecuta fielmente los mandos dados: un uso inconsciente o inadecuado puede ser peligroso. No accione la automatización cuando haya personas, animales o bienes en su radio de acción.

• **Niños: esta instalación de automatización garantiza un alto grado de seguridad, impidiendo, con sus sistemas de detección, el movimiento ante la presencia de personas o bienes. Además, garantiza una activación siempre previsible y segura. Sin embargo, es prudente prohibir a los niños jugar cerca de la automatización. Para evitar activaciones involuntarias de la automatización, no deje los transmisores al alcance de sus manos (¡el transmisor no es un juguete!).**

• Controle con frecuencia la automatización a fin de detectar posibles marcas de desgaste, daños o desequilibrios. Deje de utilizar inmediatamente la automatización si fuera necesario llevar a cabo un mantenimiento.

• Controle periódicamente que las fotocélulas funcionen correctamente y, cada 6 meses, haga hacer los controles de mantenimiento previstos.

• Las fotocélulas no son un dispositivo de seguridad sino que son solamente un dispositivo auxiliar de seguridad. Estas incorporan una tecnología de altísima fiabilidad pero, en situaciones extremas, pueden tener problemas de funcionamiento o averiarse. **¡Atención!** – En ciertos casos, no siempre la avería podría detectarse inmediatamente.

⚠ ¡Está terminantemente prohibido transitar mientras la cancela o el portón se están moviendo!

• Ni bien note que la automatización no funciona correctamente, por seguridad corte la alimentación eléctrica de la instalación. No intente hacer ninguna reparación por su cuenta, sino que llame a su instalador de confianza. Mientras tanto, la instalación podrá funcionar con *Apertura* y *Cierre* manual, desbloqueando manualmente los motorreductores, tal como se describe en este manual.

• Al volver la corriente eléctrica después de un corte, el primer movimiento accionado será ejecutado por la automatización a la velocidad lenta, independientemente del tipo de velocidad regulada.

• Aunque piense que lo sabe hacer, no modifique la instalación ni los parámetros de programación y de regulación de la automatización: la responsabilidad es de la persona que ha instalado la automatización.

• El ensayo, los trabajos de mantenimiento periódico y las posibles reparaciones deben ser documentados por quien los hace, y los documentos tienen que ser conservados por el dueño de la instalación.

• Al final de la vida útil de la automatización, el desguace debe ser hecho por personal cualificado y los materiales deben ser reciclados o eliminados según las normas locales vigentes.

OPERACIONES DE MANTENIMIENTO PERMITIDAS AL USUARIO

Su automatización necesita un mantenimiento periódico para que pueda funcionar durante la mayor cantidad de tiempo posible y con total seguridad. Las operaciones de control, mantenimiento, o reparación deben ser hechas sólo por personal cualificado.

Establezca con su instalador un plan de mantenimiento periódico. *Nice aconseja llevar a cabo un mantenimiento cada 6 meses para un uso residencial normal, que puede variar según la intensidad de uso.*

Las únicas operaciones que el usuario puede y debe efectuar periódicamente son la limpieza de los vidrios de las fotocélulas y la eliminación de hojas o piedras que podrían obstaculizar la automatización.

• Utilice un paño ligeramente humedecido (no mojado) para la limpieza

superficial de los dispositivos. **Importante** – No utilice sustancias que contenga alcohol, benceno, disolventes u otras sustancias inflamables. El uso de dichas sustancias podría averiar los dispositivos y producir incendios o sacudidas eléctricas.

• Antes de proceder con la limpieza, desbloquee la automatización, tal como descrito en este manual, para que nadie pueda accionar inadvertidamente la cancela.

PARA ACCIONAR LA CANCELA

Con Transmisor MT4

Los botones del transmisor tienen las siguientes funciones:

MANDO(*)

Botón **T1**

Botón **T2**

Botón **T3**

Botón **T4**

(*) Esta tabla debe ser cumplimentada por la persona que ha efectuado la programación.

Con Botonera MK

Los botones de la botonera tienen las siguientes funciones:

MANDO(*)

Botón **A**

Botón **B**

Botón **C**

Botón **D**

Botón **OK**

(*) Esta tabla debe ser cumplimentada por la persona que ha efectuado la programación.

Con los dispositivos de seguridad fuera de uso

Con los dispositivos de seguridad fuera de uso, si se enviara un mando, el movimiento no arrancará y la luz intermitente destellará algunas veces: *el número de dichos destellos depende del desperfecto; por consiguiente, consulte la **Tabla 6** para saber el tipo de problema.*

Importante – Con los dispositivos de seguridad fuera de uso es necesario hacer reparar lo antes posible la automatización.



BLOQUEAR O DESBLOQUEAR MANUALMENTE EL MOTORREDUCTOR

El motorreductor incorpora un sistema mecánico que permite abrir y cerrar la cancela manualmente.

Estas operaciones manuales deben hacerse cuando no haya corriente eléctrica o cuando haya algún desperfecto en el funcionamiento. En este último caso, el uso del mecanismo de desbloqueo puede ser útil para comprobar si el desperfecto depende del mismo mecanismo (por ejemplo podría estar mal apretado).

Nota – Si no hubiera corriente eléctrica, para mover la cancela también es posible utilizar la batería de compensación (mod. MB), si estuviera presente en la instalación.

Para desbloquear manualmente el motorreductor, utilice de la siguiente manera la llave de desbloqueo suministrada:

01. Introduzca la llave en el perno de desbloqueo.
02. Gire la llave 180° en el sentido horario.
03. Entonces, será posible mover manualmente la hoja de la cancela hacia la posición deseada.
04. Para restablecer la funcionalidad de la automatización, gire en el sentido antihorario la llave en el perno de desbloqueo y mueva manualmente la hoja hasta que oiga el ruido mecánico del enganche de la hoja con el mecanismo de arrastre.
05. Por último, quite la llave del perno de desbloqueo y guárdela.

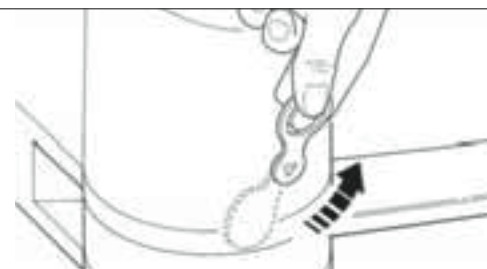
01



02



04



SUSTITUCIÓN DE LA PILA DEL TRANSMISOR

Cuando la pila está agotada, el transmisor reduce sensiblemente su alcance. En particular, pulsando un botón se notará que la intensidad de la luz del Led disminuye (= pila completamente agotada).

En dicho caso, para restablecer el funcionamiento regular del transmisor, sustituya la pila agotada con una del mismo tipo (CR2032), respetando la polaridad indicada

Para sustituir la pila, siga estos pasos:

01. Levante el borde del marco en la parte trasera del transmisor.



02. Manteniendo levantado el marco, empuje con un dedo el cubrepila, tal como se muestra en la siguiente figura.



03. Entonces, quite la pila agotada y sustitúyala con una nueva, teniendo cuidado en introducirla respetando la polaridad indicada (el signo + hacia abajo).



04. Posteriormente, con el transmisor con los botones hacia arriba, coloque el cubrepila en su alojamiento, haciendo que la "tapa", representada de color gris, esté **sobre la pila**, tal como se muestra la siguiente figura.



05. Por último, baje el borde del marco en la parte trasera del transmisor hasta sentir un clic.

Eliminación de la pila

¡Atención! – La pila agotada contiene sustancias contaminantes y, por dicho motivo, no debe arrojarse en los residuos normales. Hay que eliminarla utilizando los métodos de recogida selectiva previstos por las normativas vigentes locales.

DECLARACIÓN DE CONFORMIDAD CE

Nota: el contenido de esta declaración corresponde a aquello declarado en el documento oficial, con fecha 5 de Abril de 2007, depositado en la sede de Nice S.p.a. y, en particular, a la última revisión disponible antes de la impresión de este manual. En este manual, el texto ha sido readaptado por motivos de impresión.

XA432, XA432E, MT4, MP, MK y MF son productos de NICE S.p.a. (TV) I. MOOVO es una marca comercial de propiedad de Nice S.p.a.

Número: **XA..** Revisión: **0**

El suscrito Lauro Buoro, en su carácter de Administrador Delegado, declara bajo su responsabilidad que el producto:

Nombre del fabricante: NICE s.p.a.

Dirección: Via Pezza Alta 13, 31046 Z.I. Rustignè, Oderzo (TV) Italia

Tipo: Motorreductores electromecánicos y accesorios respectivos serie "MOOVO"

Modelos: XA432, XA432E, MT4, MP, MK, MF, MB

Los modelos XA432, XA432E responden a la directiva comunitaria:

- 98/37/CE (89/393/CEE modificada); DIRECTIVA 98/37/CE DEL PARLAMENTO EUROPEO Y DEL CONSEJO del 22 de junio de 1998 acerca de la aproximación de las legislaciones de los Estados miembros relativas a las máquinas

Tal como previsto por la directiva 98/37/CE, se advierte que está prohibido poner en servicio los productos antedichos hasta que la máquina, en la que dichos productos están incorporados, no sea identificada y declarada conforme a la directiva 98/37/CE.

Además, los modelos XA432E y MT4 son conformes a los requisitos esenciales previstos por el artículo 3 de la siguiente directiva comunitaria para el uso al cual los productos han sido destinados:

- 1999/5/CE DIRECTIVA 1999/5/CE DEL PARLAMENTO EUROPEO Y DEL CONSEJO del 9 de marzo de 1999 relativa a los equipos radioeléctricos y equipos terminales de telecomunicación y el recíproco reconocimiento de su conformidad

Según las siguientes normas armonizadas de protección de la salud: EN 50371:2002

seguridad eléctrica : EN 60950-1:2001;

compatibilidad electromagnética : EN 301 489-1V1.6.1:2006; EN 301 489-3V1.4.1:2002

espectro radioeléctrico : EN 300220-2V2.1.1:2006

Asimismo, el producto es conforme a las prescripciones de las siguientes directivas comunitarias, tal como modificadas por la Directiva 93/68/CEE del consejo del 22 de julio de 1993:

- Los modelos XA432 y XA432E son conformes con la DIRECTIVA 73/23/CEE; DIRECTIVA 73/23/CEE DEL CONSEJO del 19 de febrero de 1973 acerca de la aproximación de las legislaciones de los Estados miembros relativas al material eléctrico destinado a ser usado dentro de dichos límites de tensión

Según las siguientes normas armonizadas:

EN 60335-1:1994+A11:1995+A1:1996+A13:1998 +A14:1998+A15:2000+A2:2000+A16:2001;

- Los modelos XA432, XA432E, MT4, MP, MK, MF, MB son conformes a la DIRECTIVA 89/336/CEE; DIRECTIVA 89/336/CEE DEL CONSEJO del 3 de mayo de 1989 acerca de la aproximación de las legislaciones de los Estados miembros relativas a la compatibilidad electromagnética.

Según las siguientes normas armonizadas: EN 61000-6-2:2001, EN 61000-6-3:2001+A11:2004

- Además, los modelos XA432 y XA432E son conformes, sólo para las piezas aplicables, a las siguientes normas:

EN 60335-1:2002+A1:2004+A11:2004, EN 60335-2-103:2003, EN 13241-1:2003, EN 12453:2002, EN 12445:2002, EN 12978:2003

Lauro Buoro
(Administrador delegado)



DECLARACIÓN DE CONFORMIDAD CE

Según la Directiva 98/37/CE, Anexo II, parte A (declaración de conformidad CE para las máquinas)

El suscrito / empresa:

(nombre y razón social de quien ha puesto en servicio la cancela motorizada)

(dirección)

Declara bajo su responsabilidad que:

- La automatización:
- cancela de hojas de batiente motorizada
 - portón de hojas de batiente motorizado
 - cancela de corredera motorizada

Matrícula N°: _____

Año de fabricación: _____

Localización (dirección): _____

Cumple con los requisitos esenciales de las siguientes directivas:

- 98/37/CE Directiva de Máquinas
- 89/336/CEE Directiva sobre la compatibilidad electromagnética
- 73/23/CEE Directiva "baja tensión"
- 99/5/CE Directiva "Equipos Radioeléctricos y Equipos Terminales de Telecomunicación"

y todo aquello previsto, para las piezas aplicables, por las siguientes normas:

- EN 13241-1 Puertas industriales, comerciales, de garaje y portones. Norma de producto. Productos sin características de resistencia al fuego o control de humos.
- EN 12445 Puertas industriales, comerciales, de garaje y portones. Seguridad de utilización de puertas motorizadas - Métodos de ensayo.
- EN 12453 Puertas industriales, comerciales, de garaje y portones. Seguridad de utilización de puertas motorizadas - Requisitos.

Nombre _____

Firma _____

Fecha _____

Lugar _____



PLAN DE MANTENIMIENTO

¡Atención! – El mantenimiento de la instalación debe ser llevado a cabo por personal técnico cualificado, que respete las normas de seguridad previstas por las leyes vigentes y las prescripciones sobre la seguridad indicadas en el 1º PASO – “Advertencias y precauciones generales de seguridad” presente al comienzo de este manual.

Nota – Si la instalación incorporara algunos dispositivos que no estén citados en este manual, para su mantenimiento, siga las indicaciones previstas en el plan de mantenimiento respectivo.

Teniendo en cuenta un uso doméstico normal de la automatización, se aconseja controlar periódicamente la instalación **cada 6 meses**, o bien, si la automatización se utilizara con mayor frecuencia y en los casos de movimiento veloz de la hoja, **al cumplirse un determinado número de ciclos de maniobras**.

Para calcular este número de maniobras, consulte el parámetro de la **durabilidad estimada** (véanse las “Características técnicas del producto”), planificando una operación de mantenimiento **al cumplirse cada 10% de las maniobras reguladas en este parámetro**; por ejemplo, si la durabilidad total fueran 100.000 ciclos de maniobras, el mantenimiento deberá hacerse cada 10.000 ciclos.

En el momento previsto para el mantenimiento, lleve a cabo los siguientes controles y sustituciones:

A. Desconecte cualquier fuente de alimentación eléctrica, incluidas las baterías compensadoras si estuvieran montadas.

B. Compruebe las condiciones de todos los materiales que componen la automatización; evalúe el desgaste de las piezas móviles y observe si hubiera fenómenos de corrosión u oxidación de las piezas de la estructura; sustituya las piezas que no sean lo suficientemente seguras.

C. Controle que el producto esté perfectamente fijado a la superficie de fijación y que las tuercas de fijación estén bien apretadas.

D. Controle que el mecanismo de desbloqueo de la maniobra manual funcione correctamente; la fuerza necesaria para accionar el dispositivo de desbloqueo debe ser inferior a 220 N.

E. Conecte nuevamente las fuentes de alimentación eléctrica y ejecute los siguientes ensayos en la secuencia indicada:

- Utilizando el transmisor, haga algunos ensayos de cierre y de apertura de la cancela, controlando que el movimiento de la hoja corresponda con el movimiento previsto (**Nota** – Al volver la corriente eléctrica, la primera maniobra accionada será hecha por la automatización a velocidad lenta, independientemente del tipo de velocidad configurada). Conviene llevar a cabo varios ensayos para controlar el deslizamiento de la cancela y comprobar los posibles defectos de montaje, o de regulación, así como la presencia de puntos de fricción.
- Controle uno por uno el funcionamiento correcto de todos los dispositivos de seguridad montados en la instalación (fotocélulas, bandas sensibles, etc.). **Fotocélulas:** haga intervenir el dispositivo durante la *Apertura* o el *Cierre*, y controle que la Central detenga el movimiento y ejecute una inversión total del movimiento (la luz intermitente emitirá 2 destellos y los repetirá de nuevo). **Bandas sensibles:** haga intervenir el dispositivo durante la *Apertura* o el *Cierre* y controle que la Central detenga el movimiento y ejecute una breve inversión del movimiento (la luz intermitente emitirá 4 destellos y los repetirá de nuevo).
- Controle que no haya interferencias entre las fotocélulas y otros dispositivos, pasando un cilindro (5 cm de diámetro, 30 cm de longitud) por el eje óptico que une el par de fotocélulas (**fig. 71**): primero pase el cilindro cerca de la fotocélula transmisora TX, después cerca de la receptora RX y, por último, por el centro entre las dos fotocélulas. Compruebe que el dispositivo se accione siempre, pasando del estado *activo* al estado de *alarma* y viceversa; por último, compruebe que en la central provoque la acción prevista (por ejemplo la inversión del movimiento durante el Cierre).
- Después de haber colocado un obstáculo en la trayectoria de cierre de la cancela, accione una maniobra de cierre y controle que la automatización invierta el movimiento ni bien la cancela toque el obstáculo (maniobra de seguridad).

¡Atención! – utilice como obstáculo un trozo de madera de 50 cm de longitud y de sección adecuada para que pueda ser golpeado por la hoja. Posteriormente, coloque el obstáculo tal como se muestra en la fig. 72.

REGISTRO DE MANTENIMIENTO

Importante – Este registro de mantenimiento debe entregarse al dueño de la automatización después de haber cumplimentado las partes necesarias.

En este Registro deben anotarse todas las operaciones de mantenimiento, reparación y modificación llevadas a cabo. El Registro deberá actualizarse después de cada intervención y deberá guardarse para que esté disponible para cualquier tipo de inspección por parte de los organismos autorizados.

Este Registro de mantenimiento se refiere a la siguiente automatización:

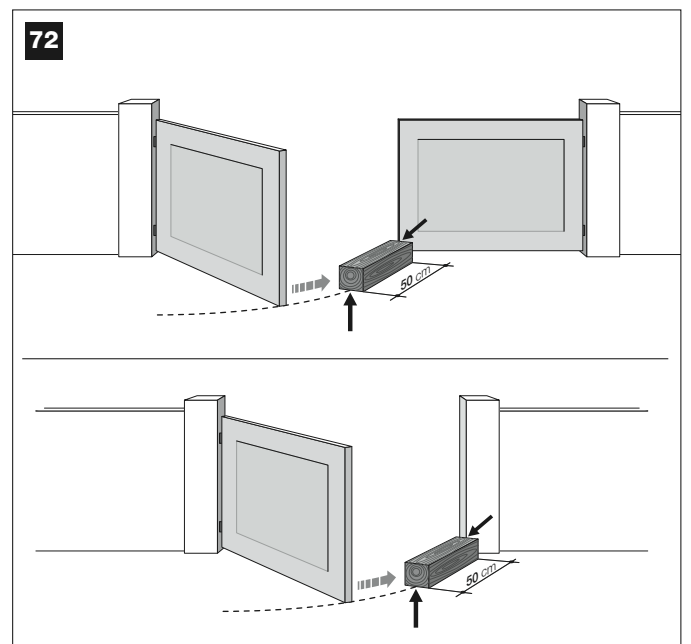
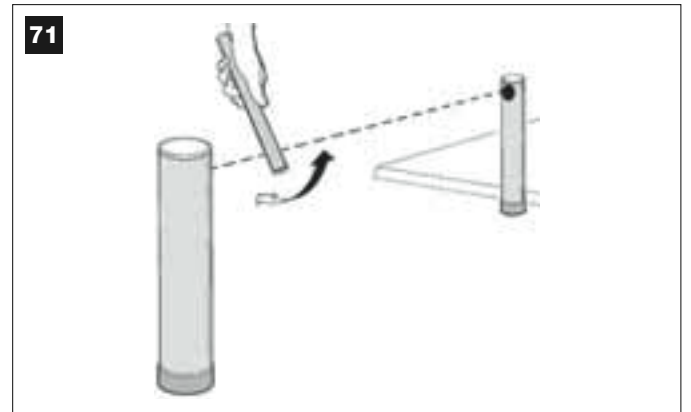
mod.
matrícula n°
instalada en fecha
lugar
.....
.....
.....

Los siguientes documentos forman parte de este Registro:

- 1) - Plan de mantenimiento
- 2) -
- 3) -
- 4) -
- 5) -
- 6) -

Según el documento adjunto “Plan de mantenimiento”, las operaciones de mantenimiento deben ser llevadas a cabo con la siguiente frecuencia:

cada meses, o bien **cada** ciclos de maniobras, según el primer evento que se produce.



BEDIENUNGSANLEITUNG

(Muss dem Endbenutzer der Automation übergeben werden)

HINWEISE UND VORSICHTSMAßNAHMEN ZUM GEBRAUCH

⚠ Teile der Automation dürfen keinesfalls berührt werden, solange sich das Tor bewegt!

- Bevor Sie die Automation zum ersten Mal benutzen, widmen Sie bitte dem Lesen der vorliegenden Bedienungsanleitung, die Ihnen vom Installateur der Automation übergeben wurde, ein wenig Zeit. Lassen Sie sich vom Installateur erklären, wie Restrisiken entstehen.
- Bewahren Sie die vorliegende Anleitung für zukünftige Zweifelsfälle auf und übergeben Sie diese ggf. einem neuen Besitzer der Automation.
- Ihre Automatisierung ist eine Maschine, die Ihre Befehle getreu durchführt; ein verantwortungsloser und unsachgemäßer Gebrauch kann gefährlich werden: Verursachen Sie keine Bewegung der Automation, wenn sich Personen, Tiere oder Gegenstände in ihrem Aktionskreis befinden.
- **Kinder:** diese Automatisierungsanlage gewährleistet einen hohen Sicherheitsgrad und verhindert mit ihren Schutzsystemen, dass sie sich bei Anwesenheit von Personen und Gegenständen bewegt, und sie gewährleistet eine immer vorhersehbare und sichere Aktivierung. Als Vorsichtsmaßnahme sollte man aber Kindern verbieten, in der Nähe der Automatisierung zu spielen. Die Sender nicht in der Reichweite von Kindern lassen, um eine zufällige Aktivierung der Automation zu vermeiden (der Sender ist kein Spielzeug!).
- Kontrollieren Sie die Automation häufig auf eventuelle Abnutzungerscheinungen, Schäden oder Unausgeglichenheiten. Stellen Sie den Gebrauch unverzüglich ein, wenn Wartung erforderlich ist.
- Überprüfen Sie den einwandfreien Betrieb der Photozellen in regelmäßigen Abständen; lassen Sie die vorgesehenen Wartungskontrollen mindestens alle 6 Monate ausführen.

• Die Photozellen sind keine Sicherheitsvorrichtung, sondern nur eine Hilfseinrichtung für die Sicherheit. Sie sind mit einer höchst zuverlässigen Technologie hergestellt, können aber unter extremen Bedingungen Betriebsstörungen und sogar Defekte aufweisen. **Achtung!** – In bestimmten Fällen könnte der Defekt nicht sofort augenscheinlich sein.

⚠ Durch das sich bewegende Tor darf keinesfalls gefahren oder gegangen werden!

- Schalten Sie aus Sicherheitsgründen die Stromversorgung zur Anlage ab, sobald Sie ein ungewöhnliches Verhalten der Automatisierung bemerken. Versuchen Sie nie, selbst Reparaturen auszuführen, sondern fordern Sie den Eingriff Ihres Vertrauensinstallateurs an. In der Zwischenzeit kann die Anlage mit der manuellen *Öffnung* und *Schließung* funktionieren, wenn Sie die Antriebe wie in dieser Anleitung beschrieben manuell entriegeln.
- Nach einem Stromausfall wird die Automation die erste Bewegung unabhängig von der eingestellten Geschwindigkeit mit reduzierter Geschwindigkeit ausführen.
- Auch wenn Sie meinen, dass Sie wissen, wie das gemacht wird, ändern Sie die Anlage und die programmierten Parameter sowie die Einstellungen der Automation nicht: diese Verantwortung hat der Installateur der Automation.
- Die Abnahme, die periodischen Wartungen und eventuelle Reparaturen müssen von dem, der diese Arbeiten ausführt, belegt sein, und diese Belege müssen vom Besitzer der Anlage aufbewahrt werden.
- Versichern Sie sich, dass die Entsorgung am Ende der Lebensdauer Ihrer Automation von Fachpersonal gemacht wird und dass die Materialien nach den örtlich gültigen Vorschriften recycled oder entsorgt werden.

WARTUNGSEINGRIFFE, DIE DER BENUTZER AUSFÜHREN KANN

Ihre Automation benötigt eine regelmäßige Wartung, damit sie so lange wie möglich und in voller Sicherheit funktionieren kann. Arbeiten wie Wartung, Kontrolle oder Reparatur dürfen nur von Fachpersonal ausgeführt werden.

Vereinbaren Sie mit Ihrem Installateur einen programmierten Wartungsplan. *Nice empfiehlt eine programmierte Wartung alle sechs Monate bei Normalgebrauch für den Haushalt, dieser Zeitraum kann aber je nachdem, wie häufig die Anlage benutzt wird, unterschiedlich sein.*

Die einzigen Eingriffe, die der Benutzer ausführen kann und periodisch ausführen muss, sind die Reinigung der Gläser an den Photozellen und die Entfernung eventueller Blätter oder Steine, die den Automatismus behindern könnten.

- Reinigen Sie die Oberflächen der Vorrichtungen mit einem leicht feuchten Tuch (nicht nass). **Wichtig** – Verwenden Sie keine Substanzen, die Alkohol, Benzol, Verdünnungsmittel oder sonstige entzündbare Stoffe enthalten. Solche Substanzen könnten die Vorrichtungen beschädigen und Brand oder Stromschläge verursachen.
- Um eine unbeabsichtigte Aktivierung des Tors zu vermeiden, entriegeln Sie den Automatismus vor der Reinigung, wie in dieser Anleitung beschrieben.

STEUERN DES TORS

Mit Sender MT4

Die Sendertasten erteilen folgende Befehle:

BEFEHL (*)

Taste **T1**

Taste **T2**

Taste **T3**

Taste **T4**

(*) Diese Tabelle muss vom Programmierer der Automation ausgefüllt werden.

Mit Tastatur MK

Die Tasten der Tastatur erteilen folgende Befehle:

BEFEHL (*)

Taste **A**

Taste **B**

Taste **C**

Taste **D**

Taste **OK**

(*) Diese Tabelle muss vom Programmierer der Automation ausgefüllt werden.

Mit den Sicherheitsvorrichtungen außer Betrieb

Wenn die Sicherheitsvorrichtungen außer Betrieb sind und man einen Befehl sendet, wird die Bewegung nicht starten und die Blinkanzeige wird mehrmals blinken. *die Anzahl dieser Blinkvorgänge hängt von der laufenden Störung ab; um zu ermitteln, um welches Problem es sich handelt, beziehen Sie sich bitte auf **Tabelle 6**.*

Wichtig – Wenn die Sicherheitsvorrichtungen außer Betrieb sind, muss der Automatismus so schnell wie möglich repariert werden.



MANUELLES BLOCKIEREN UND ENTRIEGELN DES ANTRIEBS

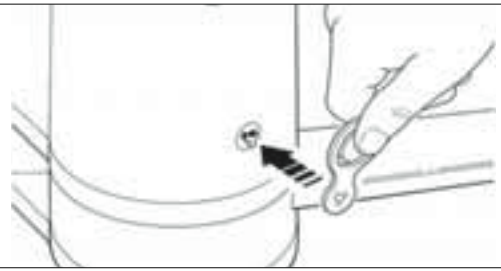
Der Antrieb ist mit einem mechanischen System ausgestattet, das die manuelle Öffnung und Schließung ermöglicht. Diese manuellen Verfahren müssen bei Stromausfall oder Betriebsstörungen ausgeführt werden. Im letzteren Fall kann der Gebrauch der Entriegelung nützlich sein, um zu prüfen, ob der Defekt von der Entriegelung selbst abhängt (sie könnte zum Beispiel locker sein).

Anmerkung – Bei Stromausfall kann das Tor auch mit Hilfe der Pufferbatterie bewegt werden (Mod. MB), falls in der Anlage vorhanden.

Um den Antrieb zu entriegeln, muss der mitgelieferte Entriegelungsschlüssel wie folgend benutzt werden:

01. Den Schlüssel in den Entriegelungszapfen stecken.
02. Um 180° im Uhrzeigersinn drehen.
03. Der Torflügel kann nun von Hand in die gewünschte Stellung verschoben werden.
04. Damit der Automatismus wieder funktioniert, muss der Schlüssel auf dem Entriegelungszapfen gegen den Uhrzeigersinn gedreht werden; dann das Tor von Hand verschieben, bis man hört, dass der Torflügel an der Schleppvorrichtung eingerastet ist.
05. Abschließend den Schlüssel vom Entriegelungszapfen nehmen und aufbewahren.

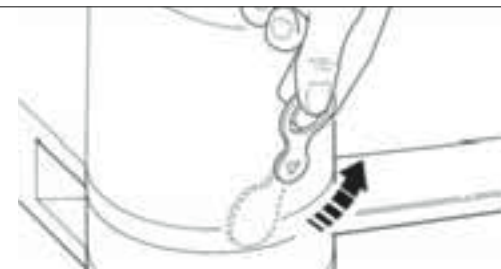
01



02



04



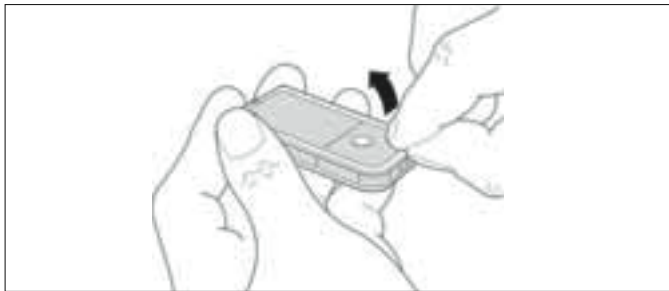
ERSATZ DER BATTERIE DES SENDERS

Wenn die Batterie leer ist, reduziert sich die Reichweite des Senders. Insbesondere kann bemerkt werden, dass die LED schwächer leuchtet (= Batterie ganz leer), wenn man auf eine Taste drückt.

Damit der Sender wieder ordnungsgemäß funktioniert, muss die leere Batterie mit einer desselben Typs (CR2032) ersetzt werden. Die angegebene Polung beachten.

Wie folgend vorgehen, um die Batterie zu ersetzen:

01. Den Rand des Rahmens an der Rückseite des Senders heben.



02. Den Rahmen gehoben halten und die Batterieabdeckung mit einem Finger schieben, wie in der folgenden Abbildung gezeigt.



03. Nun die leere Batterie entfernen und die neue unter Beachtung der angegebenen Polung (Pluspol nach unten) einfügen.



04. Dann den Sender mit den Tasten nach oben gerichtet halten und die Batterieabdeckung so in ihren ursprünglichen Sitz einfügen, dass sich die in grau dargestellte "Lamelle" über der Batterie befindet, wie in der folgenden Abbildung gezeigt.



05. Dann den Rand des Rahmens an der Senderrückseite senken, bis man ein kurzes Einrastgeräusch hört.

Entsorgung der Batterie

Achtung! - Die leere Batterie enthält Schadstoffe und darf daher nicht in den Hausmüll gegeben werden. Sie muss nach den örtlich gültigen Vorschriften differenziert entsorgt werden.

CE-KONFORMITÄTSERKLÄRUNG

Anmerkung: Der Inhalt dieser Erklärung entspricht dem in den offiziellen Unterlagen vom 5. April 2007 Angegebenen, die sich im Firmensitz der Nice S.p.a. befinden, und insbesondere der vor dem Druck dieser Anleitung verfügbaren, letzten Revision. Der vorliegende Text wurde aus Verlagsgründen angepasst.

XA432, XA432E, MT4, MP, MK und MF sind Produkte der Firma NICE S.p.a. (TV) I; MOOVO ist eine Handelsmarke der Firma Nice S.p.a.

Nummer: **XA..** Revision: **0**

Der Unterzeichnete Lauro Buoro erklärt als Geschäftsführer unter seiner Haftung, dass das Produkt:

Herstellername: NICE s.p.a.

Adresse: Via Pezza Alta 13, 31046 Z.I. Rustignè, Oderzo (TV) Italien

Typ: Elektromechanische Antriebe und entsprechendes Zubehör Serie "MOOVO"

Modelle: XA432, XA432E, MT4, MP, MK, MF, MB

Die Modelle XA432 und XA432E sind konform mit der folgenden gemeinschaftlichen Richtlinie:

- 98/37/CE (89/392/CEE geändert); RICHTLINIE 98/37/CE DES EUROPAPARLAMENTS UND DES EUROPARATES vom 22. Juni 1998 für die Annäherung der Gesetzgebung der Mitgliedstaaten bezüglich Maschinen.

Wie von der Richtlinie 98/37/CE vorgesehen, wird darauf hingewiesen, dass die Inbetriebsetzung der oben genannten Produkte erst gestattet ist, nachdem die Maschine, in die das Produkt eingegliedert ist, als konform mit der Richtlinie 98/37/CE gekennzeichnet und erklärt worden ist.

Weiterhin sind die Modelle XA432E und MTA4 konform mit den wichtigsten Anforderungen von Artikel 3 folgender gemeinschaftlicher Richtlinie, was den Einsatzzweck der Produkte betrifft:

- 1999/5/CE; RICHTLINIE DES EUROPAPARLAMENTS UND DES RATES vom 9. März 1999, was die Funkapparaturen und Terminals für Fernmeldewesen und die gegenseitige Anerkennung ihrer Konformität betrifft.

Gemäß der folgenden harmonisierten Gesundheitsschutznormen: EN 50371:2002;
elektrische Sicherheit: EN 60950-1:2001;
elektromagnetische Verträglichkeit: EN 301 489-1V1.6.1:2006; EN 301 489-3V1.4.1:2002
Funkspektrum: EN 300220-2V2.1.1:2006

Weiterhin ist das Produkt mit den Vorschriften der folgenden gemeinschaftlichen Richtlinien sowie den Änderungen durch die Richtlinie 93/68/CEE des Rates vom 22. Juli 1993 konform:

- Die Modelle XA432 und XA432E sind konform mit der RICHTLINIE 73/23/EWG; RICHTLINIE 73/23/EWG DES RATES vom 19. Februar 73 bezüglich der Annäherung der Gesetzgebungen der Mitgliedsstaaten, was das elektrische Material betrifft, das innerhalb bestimmter Spannungsgrenzen zu verwenden ist.

Gemäß folgender harmonisierter Normen:
EN 60335-1:1994+A11:1995+A1:1996+A13:1998 +A14:1998+A15:2000+A2:2000+A16:2001;

- Die Modelle XA432, XA432E, MT4, MP, MK, MF und MB sind konform mit der RICHTLINIE 89/336/EWG; RICHTLINIE 89/336/EWG DES RATES vom .3 Mai 1989 bezüglich der Annäherung der Gesetzgebungen der Mitgliedsstaaten, was das elektromagnetische Verträglichkeit betrifft.

Gemäß der folgenden harmonisierten Normen: EN 61000-6-2:2001; EN 61000-6-3:2001+A11:2004

- Weiterhin sind die Modelle XA432 und XA432e mit folgenden Normen konform (begrenzt auf die anwendbaren Teile):

EN 60335-1:2002+A1:2004+A11:2004, EN 60335-2-103:2003, EN 13241-1:2003, EN 12453:2002, EN 12445:2002, EN 12978:2003

Lauro Buoro
(Geschäftsführer)



CE-KONFORMITÄTSERKLÄRUNG

Gemäß der Richtlinie 98/37/CE ANLAGE II Teil A (CE-Konformitätserklärung für Maschinen)

Der Unterzeichnete / Die Firma:

(Name oder Firmenname des Inbetriebsetzers des motorbetriebenen Tors)

(Adresse)

erklärt unter seiner Haftung, dass:

- die Automation:**
- motorbetriebenes Drehtor
 - motorbetriebenes Garagentor
 - motorbetriebenes Schiebetor

Seriennr.: _____

Baujahr: _____

Installationsort (Adresse): _____

die wichtigsten Anforderungen der folgenden Richtlinien zufrieden stellt:

- 98/37/CE Maschinenrichtlinie
- 89/336/CEE Richtlinie für die elektromagnetische Verträglichkeit
- 73/23/CEE Niederspannungsrichtlinie
- 99/5/CE R&TTE-Richtlinie

und, was die anwendbaren Teile betrifft, die folgenden Normen:

- EN 13241-1 Türen und Tore für Industrie, Handel und Garagen. Produktnorm Nicht feuer- oder rauchbeständige Produkte
- EN 12445 Türen und Tore für Industrie, Handel und Wohngebäude. Sicherheit bei der Bedienung motorbetriebener Türen - Prüfmethode
- EN 12453 Türen und Tore für Industrie, Handel und Wohngebäude. Sicherheit bei der Bedienung motorbetriebener Türen - Anforderungene

Name _____

Unterschrift _____

Datum _____

Ort _____



WARTUNGSPROGRAMM

Achtung! – Die Wartung der Anlage muss durch technisches Fachpersonal unter genauer Einhaltung der von den gültigen Gesetzen vorgesehenen Sicherheitsnormen und der Sicherheitsvorschriften in SCHRITT 1 – “Allgemeine Sicherheitshinweise und Maßnahmen” am Anfang des vorliegenden Handbuchs ausgeführt werden.

Anmerkung – Falls sich in der Anlage andere, nicht im vorliegenden Handbuch erwähnte Vorrichtungen befinden, sind für deren Wartung die Vorschriften in den entsprechenden Wartungsprogrammen zu befolgen.

Unter Berücksichtigung eines normalen Gebrauchs der Automation im Haushalt wird **alle 6 Monate** eine periodische Kontrolle der Anlage empfohlen, falls die Automation häufig benutzt oder das Tor schnell bewegt wird, **nach einer bestimmten Anzahl an Bewegungszyklen**. Um diese Anzahl an Bewegungszyklen zu berechnen, beziehen Sie sich bitte auf den Parameter “geschätzte Dauer” (siehe “Technische Merkmale des Produkts”) und programmieren Sie einen Wartungseingriff **alle 10% der in diesem Parameter festgelegten Bewegungszyklen**; Beispiel: Gesamtdauer 100.000 Bewegungszyklen – Wartung alle 10.000 Zyklen.

Am für die Wartung vorgesehenen Termin sind folgende Kontrollen und Ersatzarbeiten auszuführen:

A. Alle elektrischen Versorgungsquellen, inklusive eventuelle Pufferbatterien abtrennen.

B. Den Zustand aller Materialien, aus denen die Automation besteht, überprüfen. Den Verschleiß der Bewegungsteile kontrollieren und beobachten, ob strukturelle Teile Rost oder Erosionen aufweisen: Teile, die nicht genügend Sicherheit geben, ggf. ersetzen.

C. Prüfen, dass das Produkt einwandfrei mit den Befestigungsflächen verankert ist und dass die Befestigungsmuttern gut festgezogen sind.

D. Die Effizienz des Entriegelungsmechanismus zur manuellen Bewegung überprüfen; die zur Betätigung der Entriegelung notwendige Kraft muss weniger als 220 N sein.

E. Die elektrischen Versorgungsquellen wieder anschließen und der Reihe nach folgende Überprüfungen ausführen:

- 1 Den Sender verwenden und Öffnungs- und Schließungstests des Tors ausführen; sicher stellen, dass die Bewegung des Torflügels wie vorgesehen ist (**Anmerkung** – Wenn der Strom wieder vorhanden ist, wird die Automation die erste Bewegung unabhängig von der eingestellten Geschwindigkeit mit reduzierter Geschwindigkeit ausführen). Besser mehrere Tests ausführen, um das Gleiten des Tors und eventuelle Montage- und Einstellfehler sowie das Vorhandensein besonderer Reibungen zu überprüfen.
- 2 Überprüfen Sie den korrekten Betrieb aller Sicherheitsvorrichtungen der Anlage einzeln (Photozellen, Schalteisten usw.). **Photozellen:** Lösen Sie die Vorrichtung während einer *Öffnung* oder *Schließung* aus und überprüfen Sie, ob die Steuerung die Bewegung stoppt und eine vollständige Reversierung verursacht (die Blinkleuchte blinkt zwei Mal und wiederholt dann dieses Blinken ein zweites Mal). **Schalteisten:** Lösen Sie die Vorrichtung während einer *Öffnung* oder *Schließung* aus und überprüfen Sie, ob die Steuerung die Bewegung stoppt und eine kurze Reversierung verursacht (die Blinkleuchte blinkt vier Mal und wiederholt dann dieses Blinken ein zweites Mal).
- 3 Prüfen Sie, dass es zwischen den Photozellen und anderen Vorrichtungen keine Interferenzen gibt. Gehen Sie wie folgend vor: unterbrechen Sie die optische Achse zwischen dem Photozellenpaar (**Abb. 71**), indem Sie einen Zylinder (Durchmesser 5 cm und Länge 30 cm) auf ihr zuerst in der Nähe der Photozelle TX, dann in der Nähe von RX und abschließend in der Mitte zwischen TX und RX durchführen. Stellen Sie dann sicher, dass die Vorrichtung in allen Fällen auslöst und vom *aktiven* Zustand auf den *Alarmzustand* übergeht und umgekehrt; prüfen Sie dann, dass in der Steuerung die vorgesehene Handlung verursacht wird (zum Beispiel die Reversierung der Bewegung während der *Schließung*).
- 4 Nachdem Sie ein Hindernis auf der Strecke in Schließung des Tors angebracht haben, geben Sie einen Schließbefehl und prüfen Sie, ob die Automation eine Reversierung ausführt, sobald das Tor das Hindernis berührt (Sicherheitsbewegung).

Achtung! – Verwenden Sie als Hindernis ein 50 cm langes Holzstück mit entsprechendem Querschnitt, so dass es vom Torflügel getroffen werden kann. Bringen Sie das Hindernis dann wie in **Abb. 72**.

WARTUNGSREGISTER

Wichtig – Dieses *Wartungsregister* muss dem Inhaber der Automation übergeben werden, nachdem es in den erforderlichen Teilen ausgefüllt wurde.

Im vorliegenden Register müssen alle durchgeführten Wartungs-, Reparatur- und Änderungstätigkeiten eingetragen sein. Das Register muss nach jedem Eingriff aktualisiert und sorgfältig aufbewahrt werden, damit es für eventuelle Überprüfungen durch dazu berechnigte Stellen zur Verfügung steht.

Das vorliegende *Wartungsregister* bezieht sich auf den folgenden Automatismus:

Mod.
Seriennr.
installiert am
bei
.....
.....
.....
.....

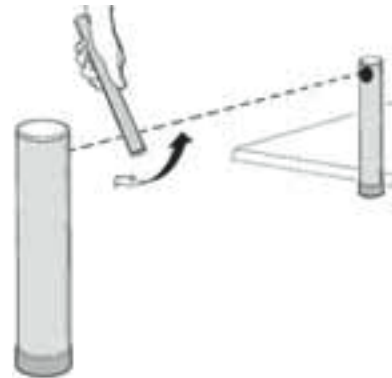
Teil dieses *Wartungsregisters* sind die folgenden anliegenden Dokumente:

- 1) - *Wartungsprogramm*
- 2) -
- 3) -
- 4) -
- 5) -
- 6) -

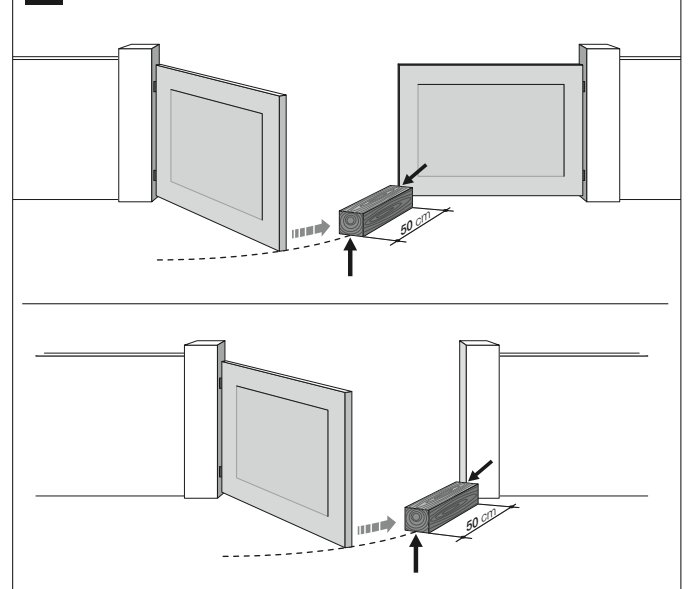
Gemäß dem anliegenden Dokument “*Wartungsprogramm*” müssen die *Wartungsarbeiten* mit der folgenden periodischen Häufigkeit ausgeführt werden:

alle **Monate**, oder **alle** **Bewegungszyklen**, je nachdem, was sich früher ereignet.

71



72



INSTRUKCJA UŻYTKOWANIA

(Dla końcowego użytkownika automatyki)

OSTRZEŻENIA I ZALECENIA UŻYTKOWANIA

⚠ Surowo zabrania się dotykać części automatyki, gdy brama garażowa lub wjazdowa są w ruchu!

• Przed pierwszym użyciem automatyki, prosimy poświęcić kilka chwil na przeczytanie niniejszej instrukcji użytkownika, przekazanej Państwu przez instalatora automatyki, który powinien objaśnić Państwu także pochodzenie ryzyka resztkowego.

• Prosimy zachować niniejszą instrukcję, by móc zaglądać do niej w razie przyszłych wątpliwości i przekazać ją ewentualnemu nowemu właścicielowi automatyki.

• Państwa automatyka to instalacja, wiernie wykonująca wydane polecenia. Nieświadome lub niewłaściwe korzystanie z niej może spowodować, że stanie się ona niebezpieczna. Nie wolno wydawać polecenia ruchu, jeśli w zasięgu działania automatyki znajdują się osoby, zwierzęta lub rzeczy.

• **Dzieci: instalacja automatyki zapewnia wysoki stopień bezpieczeństwa a jej system wykrywania przeszkód uniemożliwia ruch bramy w obecności osób lub rzeczy. Ponadto instalacja gwarantuje pewne i bezpieczne działanie. Pomimo to zaleca się zakazać dzieciom zabaw w pobliżu automatyki. By uniknąć nieplanowanego uruchomienia automatyki nie wolno pozostawiać nadajników w zasięgu dzieci (nadajnik to nie zabawka!).**

• Proszę często kontrolować automatykę, sprawdzając czy nie występują ewentualne oznaki zużycia, uszkodzenia lub nierównej pracy. Jeśli zachodzi potrzeba konserwacji należy natychmiast zaprzestać użytkownika automatyki.

• Proszę sprawdzać okresowo prawidłowe działanie fotokomórek i zlecać przynajmniej raz na 6 miesięcy wykonanie przewidzianych przeglądów konserwacyjnych.

• Fotokomórki nie są urządzeniem zabezpieczającym, ale jedynie urządzeniem wzmacniającym bezpieczeństwo. Są one produkowane przy wykorzystaniu niezawodnych technologii, ale w sytuacjach ekstremalnych mogą działać nieprawidłowo lub nawet zepsuć się. **Uwaga!** – Czasami uszkodzenie może nie być od razu ewidentnie widoczne.

⚠ Surowo zabrania się przechodzić, gdy brama garażowa lub wjazdowa są w ruchu!

• Jak tylko zauważą Państwo jakiegokolwiek anomalie w działaniu automatyki, dla bezpieczeństwa należy odłączyć instalację od zasilania elektrycznego. Prosimy nie próbować naprawiać instalacji samemu, ale zwrócić się o pomoc do zaufanego instalatora. W międzyczasie można używać instalację, wykonując ręcznie manewr *Otwarcia* i *Zamknięcia*, po uprzednim ręcznym wysprzęgleniu siłowników wykonanym zgodnie z opisem zawartym w niniejszej instrukcji.

• W przypadku braku zasilania, pierwszy manewr wykonywany przez automatykę po ponownym włączeniu zasilania, wykonany zostanie w obniżonej prędkości, niezależnie od uprzednio ustalonej prędkości.

• Prosimy nie wprowadzać zmian w instalacji oraz w parametrach programowania i regulacji automatyki, nawet wówczas, gdy potrafili Państwo to zrobić. Obowiązek ten należy do instalatora automatyki.

• Odbiór techniczny, okresowa konserwacja i ewentualne naprawy muszą być udokumentowane przez osoby wykonujące te prace. Właściciel instalacji musi natomiast przechowywać te dokumenty.

• W przypadku braku zasilania, pierwszy manewr wykonywany przez automatykę po ponownym włączeniu zasilania, wykonany zostanie w obniżonej prędkości, niezależnie od uprzednio ustalonej prędkości.

PRACE KONSERWACYJNE, KTÓRE MOGĄ BYĆ WYKONYWANE PRZEZ UŻYTKOWNIKA

Państwa automatyka wymaga okresowej konserwacji, by mogła działać jak najdłużej i w bezpieczny sposób. Czynności związane z kontrolą, konserwacją lub naprawami muszą być wykonywane wyłącznie przez wykwalifikowany personel.

Należy określić z instalatorem plan okresowej konserwacji: *firma Nice zaleca przegląd co 6 miesięcy w przypadku normalnego użytku domowego. Okres ten okres może ulec zmianie w zależności od intensywności użytkownika.*

Użytkownik może i powinien wykonywać okresowo wyłącznie czyszczenie szybek fotokomórek i usuwać ewentualne liście lub kamienie czy inne obiekty, które mogłyby przeszkadzać w działaniu automatyki.

• Do powierzchniowego czyszczenia urządzeń należy stosować lekko wilgotną ściereczkę (nie mokrą). **Ważne** – Nie wolno używać substancji zawierających alkohol, benzen, rozpuszczalniki lub inne substancje łatwopalne. Substancje te mogłyby uszkodzić urządzenia, doprowadzić do pożaru lub porażenia prądem.

• Przed przystąpieniem do czyszczenia należy wysprzęglić bramę, postępując według opisu podanego w niniejszej instrukcji, tak by uniemożliwić innym przypadkowe uruchomienie bramy.

STEROWANIE BRAMĄ

Przy użyciu Nadajnika MT4

Przyciskom nadajnika przypisano następujące polecenia:

POLECENIE (*)

Przycisk T1

Przycisk T2

Przycisk T3

Przycisk T4

(*) Tabela ta powinna zostać uzupełniona przez osobę, która zaprogramowała nadajnik.

Przy użyciu Klawiatury sterującej MK

Przyciskom klawiatury sterującej przypisano następujące polecenia:

POLECENIE (*)

Przycisk A

Przycisk B

Przycisk C

Przycisk D

Przycisk OK

(*) Tabela ta powinna zostać uzupełniona przez osobę, która wykonywała programowanie.

W przypadku zepsutych urządzeń zabezpieczających

W przypadku zepsutych urządzeń zabezpieczających, po wybraniu polecenia, manewr nie rozpoczyna się a lampa ostrzegawcza miga kilka razy: *ilość mignięć zależy od anomalii. By zrozumieć przyczynę zaistniałego problemu należy przeanalizować Tabelę 6.*

Ważne – Jeśli urządzeniach zabezpieczające są zepsute trzeba jak najszybciej naprawić automatykę.



RĘCZNE ZASPRĘGLANIE I WYSPRĘGLANIE SIŁOWNIKA

Siłownik jest wyposażony w system mechaniczny, który pozwala na ręczne otwarcie i zamknięcie bramy.

Manewry ręczne są wykonywane w przypadku braku prądu lub przy wystąpieniu anomalii pracy, kiedy to mechanizm wysprzęglający może posłużyć także do diagnostyki i sprawdzenia czy uszkodzenie nie zostało wywołane przez sam mechanizm (na przykład złe dociśnięcie).

Pamiętaj – W przypadku braku prądu, brama może być uruchomiona także dzięki akumulatorowi buforowemu (mod. MB), o ile jest on przewidywany w instalacji.

W celu ręcznego wysprzęglenia siłownika, proszę użyć klucza znajdującego się na wyposażeniu. Należy wykonać następujące czynności:

01. Proszę nałożyć klucz na odpowiedni trzpień wysprzęglający.
02. Następnie przekręcić klucz o 180° w kierunku zgodnym z ruchem wskazówek zegara.
03. Teraz można przesunąć ręcznie skrzydło bramy w żądaną pozycję.
04. By przywrócić działanie automatyki, proszę przekręcić klucz na trzpieniu wysprzęglającym w kierunku przeciwnym do ruchu wskazówek zegara i poruszyć ręcznie skrzydło bramy, aż do chwili, gdy usłyszysz Państwo kliknięcie, oznaczające, że skrzydło zahaczyło o mechanizm ciągnący.
05. Na zakończenie proszę zdjąć klucz z trzpienia wysprzęglającego i schować go.

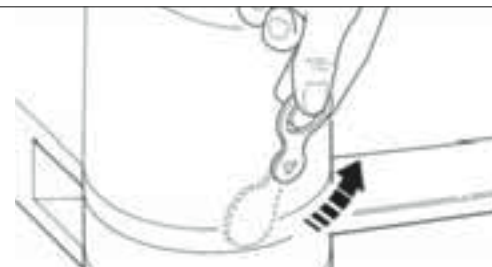
01



02



04



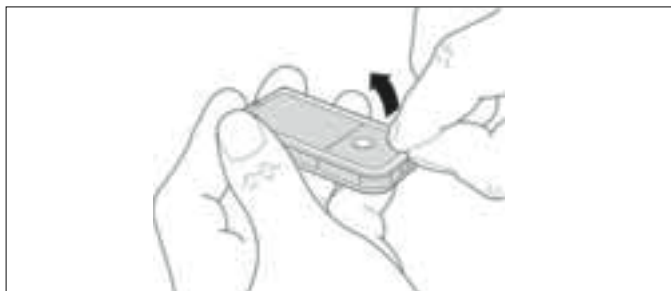
WYMIANA BATERII NADAJNIKA

Kiedy bateria jest rozładowana, nadajnik znacząco zmniejsza zasięg działania. Świadczy o tym między innymi zmniejszenie intensywności światła diody, która włącza się przy wciskaniu przycisków (= bateria całkowicie rozładowana).

W takiej sytuacji, by przywrócić normalne działanie nadajnika, trzeba zastąpić rozładowaną baterię nową baterią tego samego typu (CR2032), pamiętając o zachowaniu biegunowości.

W celu wymiany baterii proszę wykonać następujące czynności:

01. Unieść krawędź otoczki tylnej ścianki nadajnika.



02. Trzymając podniesioną krawędź otoczki, nacisnąć palcem pokrywę baterii, tak jak pokazano to na załączonym rysunku.



03. Wyjąć starą baterię i włożyć nową, pamiętając o zachowaniu wskazanej biegunowości (znak + do dołu).



04. Następnie, trzymając nadajnik przyciskami skierowanymi do góry, założyć ponownie pokrywę baterii tak, aby "płytką" zaznaczoną kolorem szarym znajdowała się nad baterią, jak pokazano na załączonym rysunku.



05. Na zakończenie należy opuścić krawędź otoczki na tylnej ściance nadajnika, aż usłyszysz Państwo ciche kliknięcie.

Utylizacja baterii

Uwaga! – Rozładowana bateria zawiera szkodliwe substancje i w związku z tym nie może być wrzucona do odpadów komunalnych. Trzeba zutylizować ją korzystając z metody segregacji odpadów, przewidzianej przez lokalne normy.

DEKLARACJA ZGODNOŚCI CE

Uwaga: Treść niniejszej deklaracji odpowiada treści dokumentu oficjalnego z dnia 5 kwietnia 2007 roku, złożonego w siedzibie Nice S.p.a. a w szczególności jego ostatniej wersji dostępnej przed wydrukowaniem niniejszej instrukcji. Poniższa treść została zaadaptowana dla potrzeb druku.

XA432, XA432E, MT4, MP, MK i MF zostało wyprodukowanych przez firmę NICE S.p.a. (TV) Włochy. MOOVO to marka firmy Nice S.p.a.

Numer: **XA..** Wersja: **0**

Niżej podpisany Lauro Buoro, pełniący funkcję Prezesa Zarządu, deklaruje z pełną odpowiedzialnością, że produkt:

Nazwa producenta: NICE s.p.a.

Adres: Via Pezza Alta 13, 31046 Z.I. Rustignè, Oderzo (TV) Włochy

Typ: Siłowniki elektromechaniczne i ich akcesoria, serii "MOOVO"

Modele: XA432, XA432E, MT4, MP, MK, MF, MB

Modele XA432, XA432E spełniają wymagania dyrektywy unijnej:

- 98/37/WE (89/392/EWG zmieniona) DYREKTYWA PARLAMENTU EUROPEJSKIEGO I RADY 98/37/WE z dnia 22 czerwca 1998 roku w sprawie zbliżenia ustawodawstw Państw Członkowskich odnoszących się do maszyn

Zgodnie z postanowieniami dyrektywy 98/37/WE oświadcza się, że wyżej wymienione produkty nie mogą zostać przekazane do eksploatacji, aż do momentu gdy maszyna, w którą są one wbudowane nie uzyska deklaracji zgodności z postanowieniami dyrektywy 98/37/WE

Ponadto modele XA432E i MT4 spełniają podstawowe wymogi przewidziane w art. 3 następującej dyrektywy unijnej, odnośnie zastosowania przewidzianego dla produktów:

- 1999/5/WE; DYREKTYWA PARLAMENTU EUROPEJSKIEGO I RADY 1999/5/WE z dnia 9 marca 1999 r. w sprawie urządzeń radiowych i końcowych urządzeń telekomunikacyjnych oraz wzajemnego uznawania ich zgodności
Według następujących zharmonizowanych norm odnośnie ochrony zdrowia: EN 50371:2002;
bezpieczeństwo elektryczne: EN 60950-1:2001;
kompatybilność magnetyczna : EN 301 489-1V1.6.1:2006; EN 301 489-3V1.4.1:2002
widmo radiowe : EN 300220-2V2.1.1:2006

Ponadto produkt spełnia wymagania następujących dyrektyw unijnych, w treści zmodyfikowanej Dyrektywą Rady 93/68/EWG z dnia 22 lipca 1993:

- Modele XA432, XA432E spełniają wymagania dyrektywy unijnej 73/23/EWG; DYREKTYWA RADY 73/23/EWG z dnia 19 lutego 1973 r. dotycząca harmonizacji przepisów prawnych państw członkowskich odnoszących się do sprzętu elektrycznego przeznaczonego do użytku w pewnych granicach napięcia

Zgodnie z następującą zharmonizowaną normą:

EN 60335-1:1994+A11:1995+A1:1996+A13:1998 +A14:1998+A15:2000+A2:2000+A16:2001;

- Modele XA432, XA432E, MT4, MP, MK, MF, MB spełniają wymagania dyrektywy unijnej 89/336/EWG; DYREKTYWA RADY 89/336/EWG z dnia 3 maja 1989 roku, w sprawie zbliżenia ustawodawstw Państw Członkowskich odnoszących się do kompatybilności elektromagnetycznej

Zgodnie z następującymi zharmonizowanymi normami: EN 61000-6-2:2001; EN 61000-6-3:2001+A11:2004

- Ponadto modele XA432, XA432E spełniają postanowienia, w ograniczeniu do dotyczących fragmentów, następujących norm:
EN 60335-1:2002+A1:2004+A11:2004, EN 60335-2-103:2003, EN 13241-1:2003, EN 12453:2002, EN 12445:2002, EN 12978:2003

Lauro Buoro
(Prezes Zarządu)



DEKLARACJA ZGODNOŚCI CE

z Dyrektywą 98/37/WE, Załącznik II, Część A (deklaracja zgodności CE dotycząca maszyn)

Niżej podpisany / firma:

(nazwisko lub nazwa podmiotu, który przekazał zautomatyzowaną bramę do eksploatacji).

(adres)

Oświadczam w pełni odpowiedzialności, że:

Automatyka:

- brama wjazdowa skrzydłowa z napędem
 brama garażowa skrzydłowa z napędem
 brama wjazdowa przesuwana z napędem

Numer seryjny:

Rok produkcji:

Miejsce montażu (adres):

Spełnia podstawowe wymogi następujących dyrektyw:

- 98/37/CE Dyrektywa "Maszynowa"
89/336/CEE Dyrektywa o kompatybilności elektromagnetycznej
73/23/CEE Dyrektywa "niskiego napięcia"
99/5/CE Dyrektywa "R&TTE"

oraz ustalenia zawarte w odpowiednich częściach następujących norm:

- EN 13241-1 Bramy. Norma wyrobu. Wyroby bez właściwości dotyczących odporności ogniowej lub dymoszczelności.
EN 12445 Bramy. Bezpieczeństwo użytkowania bram z napędem – Metody badań.
EN 12453 Bramy. Bezpieczeństwo użytkowania bram z napędem – Wymagania.

Nazwisko

Podpis

Data

Miejsce

PLAN PRAC KONSERWACYJNYCH

Uwaga! – Prace konserwacyjne muszą być wykonywane przez wykwalifikowany personel techniczny, w poszanowaniu norm bezpieczeństwa przewidzianych przez obowiązujące prawo oraz na zasadach bezpieczeństwa opisanych na początku instrukcji w KRO-KU 1 - "Ogólne uwagi i ostrzeżenia dotyczące bezpieczeństwa".

Pamiętaj – Jeśli w instalacji znajdują się inne urządzenia nie omówione w niniejszej instrukcji, ich konserwacji należy dokonywać wedle zaleceń opisanych w odpowiednich planach prac konserwacyjnych.

Przy normalnym, domowym użytkowaniu automatyki, zaleca się okresową kontrolę instalacji co **6 miesięcy**, a w przypadku częstszego użytkowania automatyki lub gdy skrzydło porusza się z dużą prędkością, **po wykonaniu określonej liczby manewrów**.

Aby obliczyć tę liczbę manewrów skorzystaj z parametru szacowana trwałość (patrz "Dane techniczne produktu") i zaplanuj prace konserwacyjne **każdorazowo po wykonaniu 10% manewrów określonych tym parametrem** - na przykład, jeśli przewidywana łączna trwałość wynosi 100.000 cykli, konserwacja powinna być przeprowadzana co 10.000 cykli.

Podczas konserwacji należy przeprowadzić następujące kontrole i wymianę części:

A. Odłącz wszystkie źródła zasilania, włącznie z akumulatorami buforowymi, o ile znajdują się w instalacji.

B. Sprawdź stan zużycia wszystkich elementów, z których zbudowana jest automatyka. Ponadto oceń stopień zużycia części ruchomych i sprawdź czy nie występują zjawiska korozji lub utleniania elementów konstrukcyjnych. Jeśli zachodzi potrzeba wymień te elementy, które nie zapewniają wystarczającej gwarancji działania.

C. Sprawdź czy produkt jest stabilnie zamocowany i czy blokujące go nakrętki są dobrze dociśnięte.

D. Sprawdź pracę mechanizmu wysprężającego, który umożliwił ręczne wykonanie manewru – siła potrzebna do wysprężenia nie może przekraczać 220N.

E. Podłącz na nowo źródła zasilania elektrycznego i przeprowadź, we wskazanej kolejności, następujące testy:

1 Korzystając z nadajnika, przeprowadź próby zamknięcia i otwarcia bramy, upewniając się czy rzeczywisty ruch skrzydła odpowiada przewidzianemu. (**Uwaga:** W przypadku braku zasilania, pierwszy manewr wykonywany przez automatykę po ponownym włączeniu zasilania, wykonany zostanie przy obniżonej prędkości, niezależnie od uprzednio ustalonej prędkości).

Wykonaj wiele prób w celu oceny płynności ruchu bramy, sprawdzenia regulacji, wykrycia ewentualnych wad montażowych i ewentualnych punktów zwiększonego tarcia.

2 Sprawdź po kolei prawidłowe działanie wszystkich urządzeń bezpieczeństwa znajdujących się w instalacji (fotokomórki, zabezpieczające listwy krawędziowe, itd.). **Fotokomórki:** spraw by urządzenie zadziało podczas manewru *Otwarcia* lub *Zamknięcia* i sprawdź czy Centrala zatrzyma manewr i wykona całkowite odwrócenie ruchu (lampa ostrzegawcza mignie 2 razy, po czym powtórzy serię mignięć). **Zabezpieczające listwy krawędziowe:** spraw by urządzenie zadziało podczas manewru *Otwarcia* lub *Zamknięcia* i sprawdź czy Centrala zatrzyma manewr i wykona krótkie odwrócenie ruchu (lampa ostrzegawcza mignie 4 razy, po czym powtórzy serię mignięć).

3 Upewnij się czy nie występują zakłócenia pomiędzy fotokomórkami a innymi urządzeniami. W tym celu przerwij cylindrycznym przedmiotem (średnica 5 cm, długość 30 cm) os optyczną, łączącą parę fotokomórek (**rys. 71**). Przesuń przedmiot najpierw przy fotokomórcie TX, następnie przy fotokomórcie RX a potem po środku, między obiema fotokomórkami. Upewnij się czy urządzenie zadziało za każdym razem, przechodząc ze stanu *czuwania* w stan *alarmu* i na odwrót. Upewnij się też czy wywołuje ono w Centrali przewidzianą czynność (na przykład odwrócenie ruchu przy manewrze *Zamknięcia*).

4 Ustaw przeszkodę na linii ruchu bramy i wydaj polecenie zamknięcia. W ten sposób możesz sprawdzić czy po tym jak brama dotknie przeszkody, automatyka natychmiast rozpocznie ruch w przeciwnym kierunku (manewr bezpieczeństwa).

Uwaga! – W postaci przeszkody, użyj kawałka drewna o długości 50 cm i odpowiednim przekroju, tak by skrzydło mogło w nie uderzyć. Ustaw przeszkodę tak jak pokazano to na rys. 72.

REJESTR PRAC KONSERWACYJNYCH

Ważne – Rejestr prac konserwacyjnych musi być wypełniony w odpowiednich miejscach, a następnie przekazany właścicielowi automatyki

W Rejestrze należy wymienić wszystkie przeprowadzone prace konserwacyjne, naprawcze i wprowadzające zmiany. Rejestr musi być uaktualniany po każdej interwencji i przechowywany w celu okazania podczas ewentualnych kontroli prowadzonych przez uprawnione do tego instytucje.

Niniejszy Rejestr prac konserwacyjnych jest przypisany do automatyki:

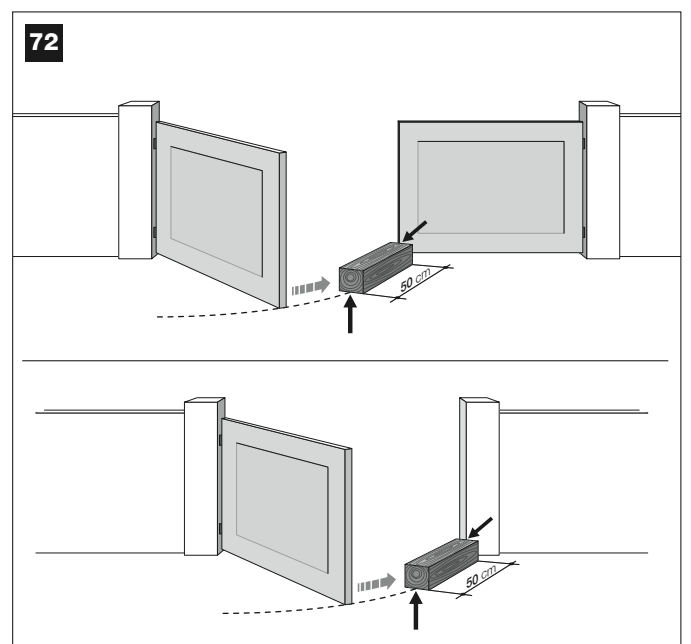
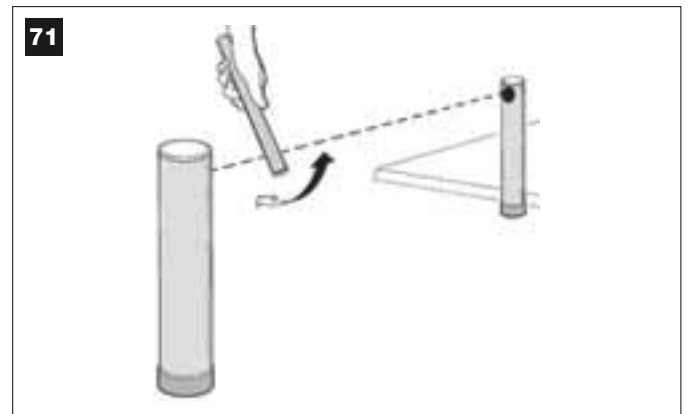
model,
numer seryjny,
zamontowanej w dniu,
w

Część składową Rejestru prac konserwacyjnych stanowią następujące dokumenty, w załączeniu:

- 1) - Plan prac konserwacyjnych
- 2) -
- 3) -
- 4) -
- 5) -
- 6) -

Załączony "Plan prac konserwacyjnych" przewiduje wykonywanie prac konserwacyjnych z następującą częstotliwością:

co miesięcy, lub co cykli, w zależności od tego, która z okoliczności wydarzy się wcześniej.



GEBRUIKERSHANDLEIDING

(Uit te reiken aan de eindgebruiker van de automatisering)

AANBEVELINGEN EN VOORZORGSMAATREGELEN BIJ HET GEBRUIK

⚠ Het is ten strengste verboden delen van de automatisering aan te raken terwijl de poort of deur in beweging is!

• Voordat u de automatisering voor de eerste maal gaat gebruiken, is het raadzaam u door de installateur te laten uitleggen waar de restrisico's ontstaan, en enkele minuten van uw tijd te besteden aan het lezen van deze handleiding met aanwijzingen en aanbevelingen voor de gebruiker die de installateur u overhandigd heeft.

• Bewaar deze handleiding voor eventuele toekomstige twijfels en geef haar aan een eventuele nieuwe eigenaar van de automatisering.

• Uw automatisering is een machine die getrouwelijk uw instructies opvolgt; onverantwoordelijk en oneigenlijk gebruik kan maken dat het een gevaarlijke machine wordt: laat de automatisering niet werken als er zich mensen, dieren of zaken binnen haar bereik bevinden.

• **Kinderen:** deze automatiseringsinstallatie biedt een hoge graad van veiligheid, doordat ze met haar beveiligingsystemen de manoeuvre bij aanwezigheid van mensen of zaken onderbreekt. Bovendien garandeert ze altijd een voorspelbare en veilige active-**ring**. Het is in ieder geval verstandig kinderen te verbieden in de buurt van de installatie te spelen en de zenders buiten hun bereik te houden om te voorkomen dat de installatie per ongeluk in werking komt (een zender is geen speelgoed)!

• Controleer de automatisering dikwijls op eventuele tekenen van slijtage, schade of gebrek aan balans. Stop onmiddellijk het gebruik ervan als er onderhoudswerkzaamheden nodig zijn.

• Controleer geregeld of de fotocellen correct werken en laat tenminste elk half jaar de voorziene onderhoudscontroles verrichten.

• De fotocellen zijn geen veiligheidsinrichting maar vormen slechts een

hulpinrichting voor de veiligheid. Zij zijn vervaardigd op basis van de meest betrouwbare technologie, maar kunnen onder extreme omstandigheden storingen vertonen of zelfs defect raken. **Let op!** – In bepaalde gevallen zou een defect niet onmiddellijk zichtbaar kunnen zijn.

⚠ Het is ten strengste verboden zich in de doorgang te bevinden terwijl de poort of de deur in beweging is!

• Zodra u constateert dat de automatiseringsinstallatie niet werkt zoals ze dat zou moeten doen, dient u de stroomtoevoer naar de installatie te onderbreken. Probeer niet zelf te repareren, maar roep de hulp van uw vertrouwensinstallateur in. Intussen kan de installatie werken met handmatige bediening voor *opening* en *sluiting*, nadat u de reductiemotoren op de hieronder beschreven manier ontgrendeld hebt.

• In geval van stroomuitval zal bij terugkeer daarvan de eerstvolgende door de automatisering aangestuurde manoeuvre op gereduceerde snelheid worden uitgevoerd, onafhankelijk van de ingestelde snelheid.

• Ook al bent u van mening dit te kunnen doen, mag u geen wijzigingen aanbrengen aan de installatie en de programmeer- en afstelparameters van uw automatiseringsinstallatie: degene die de automatisering heeft geïnstalleerd, is aansprakelijk.

• De eindtest, de periodieke onderhoudswerkzaamheden en de eventuele reparatiewerkzaamheden dienen gedocumenteerd te worden door wie die uitvoert en de documenten dienen door de eigenaar van de installatie te worden bewaard.

• Als de automatisering niet meer gebruikt kan worden, dient u zich ervan te vergewissen dat de sloop daarvan door gekwalificeerd personeel wordt uitgevoerd en dat het materiaal volgens de plaatselijk geldende voorschriften wordt hergebruikt of naar de afvalverwerking wordt gezonden.

ONDERHOUDSWERKZAAMHEDEN DIE DE GEBRUIKER MAG UITVOEREN

Uw automatiseringsinstallatie heeft periodiek onderhoud nodig om haar zo lang mogelijk en geheel veilig te laten werken. Alle controle-, onderhouds- of reparatiewerkzaamheden mogen uitsluitend door gekwalificeerd personeel worden uitgevoerd.

Stel met uw installateur een onderhoudsplan met periodieke frequentie op; *Nice raadt bij normaal gebruik bij een woning een onderhoudsbezoek om het half jaar aan, maar dit tijdsbestek kan variëren in functie van een meer of minder intensief gebruik.*

De enige werkzaamheden die de gebruiker regelmatig kan en moet uitvoeren zijn het reinigen van de glasjes van de fotocellen en het verwijderen

van bladeren en stenen die het automatisme in diens werking kunnen belemmeren.

• Gebruik voor het schoonmaken van de buitenzijde van de inrichtingen een enigszins vochtige (geen natte) doek. **Belangrijk** – Gebruik geen stoffen die alcohol, benzeen, oplosmiddelen of andere brandbare stoffen bevatten. Het gebruik van dergelijke stoffen zou de inrichtingen kunnen beschadigen en brand of elektrische schokken veroorzaken.

• Voordat u met het schoonmaken gaat beginnen, dient u, om te voorkomen dat iemand de poort per ongeluk in beweging kan brengen het automatisme te ontgrendelen, zoals dat in deze handleiding is beschreven.

VOOR HET BEDIENEN VAN DE POORT

Met de zender MT4

De toetsen op de zender geven de volgende instructies:

INSTRUCTIE (*)

Toest T1 _____
Toest T2 _____
Toest T3 _____
Toest T4 _____

(*) Deze tabel moet worden ingevuld door degene die de automatisering heeft geprogrammeerd.

Met het toetsenpaneel MK

De toetsen op het toetsenpaneel geven de volgende instructies:

INSTRUCTIE (*)

Toest A _____
Toest B _____
Toest C _____
Toest D _____
Toest OK _____

(*) Deze tabel moet worden ingevuld door degene die de automatisering heeft geprogrammeerd.

Wanneer de veiligheidsinrichtingen buiten gebruik zijn

Wanneer de veiligheidsinrichtingen buiten gebruik zijn en er een instructie wordt verzonden, gaat de manoeuvre niet van start en het knipperlicht knippert een aantal maal: *het aantal malen dat het knipperlicht knippert, is afhankelijk van de storing, kijk op tabel 6 om de aard van het probleem te ontdekken.*

Belangrijk – Wanneer de veiligheidsinrichtingen buiten gebruik zijn, dient de automatisering zo spoedig mogelijk te worden gerepareerd



HANDMATIG VERGRENDELEN OF ONTGRENDELEN VAN DE REDUCTIEMOTOR

De reductiemotor heeft een mechanisch systeem waarmee het mogelijk is de poort handmatig te openen en te sluiten.

Deze handmatige handelingen moeten worden uitgevoerd in geval van stroomuitval of storingen in de werking van het automatisme. In dit laatste geval kan het nuttig zijn het ontgrendelingsmechanisme te gebruiken om te controleren of het defect misschien met het mechanisme zelf van doen heeft (het zou bijvoorbeeld niet goed aangedraaid kunnen zijn).

N.B. – Bij stroomuitval kunt u om de poort te verplaatsen ook gebruikmaken van de bufferbatterij (mod. MB), indien deze in de installatie is aangebracht.

Voor het handmatig ontgrendelen van de reductiemotor gebruikt u als volgt de met de reductiemotor meegeleverde ontgrendelings sleutel:

- 01.** Steek de sleutel in de speciale ontgrendelingspin.
- 02.** Draai de sleutel over 180° met de wijzers van de klok mee.
- 03.** Nu zult u de poortvleugel handmatig in de gewenste stand kunnen zetten.
- 04.** Om het automatisme weer te laten functioneren, draait u de speciale sleutel op de ontgrendelingspin tegen de wijzers van de klok in en verplaatst u handmatig de vleugel totdat u het mechanische geluid hoort dat ontstaat wanneer de vleugel aan het trekmechanisch wordt gekoppeld.
- 05.** Tenslotte haalt u de sleutel uit de ontgrendelingspin en bewaart hem.

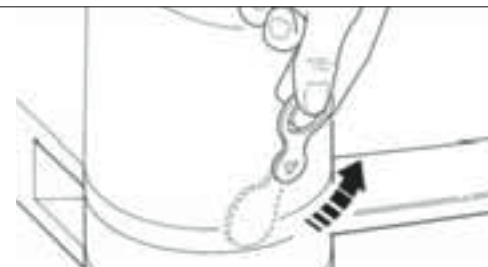
01



02



04



VERVANGEN VAN DE BATTERIJ VAN DE ZENDER

Wanneer de batterij leeg is, neemt het bereik van de zender aanzienlijk af. Wanneer u op een toets drukt zult u merken dat de lichtsterkte van de led afneemt (= batterij helemaal leeg).

In deze gevallen dient u om de zender weer normaal te laten functioneren, de lege batterij met een andere van het zelfde type (CR2032) te vervangen, waarbij u de aangegeven polariteit dient aan te houden.

Voor het vervangen van de batterij gaat u als volgt te werk:

- 01.** Til de rand van de lijst op de achterzijde van de zender op.



- 02.** Terwijl u de lijst omhoog houdt, duwt u met een vinger het dekplaatje van de batterij weg, zoals u op de afbeelding hieronder kunt zien.



- 03.** Nu verwijdert u de oude batterij en vervangt die met de nieuwe waarbij erop dient te letten ze zo aan te brengen dat de aangegeven polariteit (het + teken naar beneden) in acht wordt genomen.



- 04.** Zet daarna het dekplaatje van de batterij weer terug, waarbij u de zender met de toetsen naar boven gericht houdt, waarbij u ervoor dient te zorgen dat de "lamel" die in de kleur grijs is weergegeven **zich boven de batterij bevindt**, zoals op de afbeelding hieronder is aangegeven.



- 05.** Laat tenslotte de rand van de lijst op de achterzijde van de zender zakken tot u een lichte klik hoort.

Afvalverwerking van de batterij

Let op! – De lege batterij bevat vervuilende stoffen en mag dus niet met het gewone huisvuil worden weggegooid. Ze dient verwerkt te worden door ze 'gescheiden' in te zamelen, zoals dat voorzien is in de regelgeving, die in uw gebied van kracht is.

EG-VERKLARING VAN OVEREENSTEMMING

N.B.: De inhoud van deze verklaring is in overeenstemming met wat in het officiële document d.d. 5 april 2007 is verklaard, dat ten kantore van Nice S.p.a. is gedeponereerd, en met name met de laatst beschikbare herziening voordat deze handleiding gedrukt werd. De hier voorliggende tekst is om publicatietechnische redenen aangepast.

XA432, XA432E, MT4, MP, MK en MF worden vervaardigd door NICE S.p.a. (TV) I; MOOVO is een handelsmerk dat eigendom is van Nice S.p.a.

Nummer: **XA..** Herziening: **0**

Ondergetekende in zijn hoedanigheid van Gedelegeerd Bestuurder, verklaart onder zijn verantwoordelijkheid dat het product

Naam van de fabrikant: NICE s.p.a.

Adres: Via Pezza Alta 13, 31046 Z.I. Rustignè, Oderzo (TV) Italië

Type: Elektromechanische reductiemotoren en bijbehorende accessoires serie "MOOVO"

Modellen: XA432, XA432E, MT4, MP, MK, MF, MB

de modellen XA432, XA432E in overeenstemming zijn met de bepalingen van de volgende communautaire richtlijn:

- 98/37/EG (89/392/EEG gewijzigd); RICHTLIJN 98/37/EG VAN HET EUROPESE PARLEMENT EN VAN DE RAAD van 22 juni 1998 inzake de onderlinge aanpassing van de wetgevingen van de Lidstaten betreffende machines

Zoals voorzien is in de richtlijn 98/37/EG wijzen wij erop dat het verboden is de machine waarin bovengenoemd product wordt ingebouwd, in gebruik te stellen voordat deze in overeenstemming met de bepalingen van de richtlijn 98/37/EG is verklaard.

bovendien dat de modellen XA432E en MT4 in overeenstemming zijn met de essentiële vereisten onder artikel 3 van onderstaande communautaire richtlijn, voor het gebruik waarvoor deze producten bestemd zijn:

- 1999/5/EG; RICHTLIJN 1999/5/EG VAN HET EUROPESE PARLEMENT EN VAN DE RAAD van 9 maart 1999 inzake radio-apparatuur en telecommunicatie-eindapparatuur en de wederzijdse erkenning van de conformiteit daarvan volgens de volgende geharmoniseerde normen ter bescherming van de gezondheid: EN 50371:2002; elektrische veiligheid : EN 60950-1:2001; elektromagnetische compatibiliteit: EN 301 489-1V1.6.1:2006; EN 301 489-3V1.4.1:2002 radiospectrum: EN 300220-2V2.1.1:2006

Bovendien het product in overeenstemming is met de bepalingen van de volgende communautaire richtlijnen, zoals die gewijzigd zijn bij de Richtlijn 93/68/EEG van de Raad van 22 juli 1993:

- De modellen XA432 en XA432E zijn in overeenstemming met de Richtlijn 73/23/EEG; RICHTLIJN 73/23/EEG VAN DE RAAD van 19 februari 1973 inzake harmonisering van de verschillende wetgevingen van de Lidstaten met betrekking tot elektrisch materiaal dat binnen bepaalde spanningslimieten moet worden gebruikt

Volgens de volgende geharmoniseerde norm:

EN 60335-1:1994+A11:1995+A1:1996+A13:1998 +A14:1998+A15:2000+A2:2000+A16:2001;

- De modellen XA432, XA432E, MT4, MP, MK, MF en MB in overeenstemming zijn met de 89/336/EEG; RICHTLIJN 89/336/EEG VAN DE RAAD van 3 mei 1989, inzake harmonisering van de verschillende wetgevingen van de Lidstaten met betrekking tot de elektromagnetische compatibiliteit

Volgens de volgende geharmoniseerde normen: EN 61000-6-2:2001; EN 61000-6-3:2001+A11:2004

- bovendien dat de modellen XA432 en XA432E in overeenstemming zijn met de volgende normen, voor zover van toepassing:

EN 60335-1:2002+A1:2004+A11:2004, EN 60335-2-103:2003, EN 13241-1:2003, EN 12453:2002, EN 12445:2002, EN 12978:2003

Lauro Buoro
(Gedelegeerd bestuurder)



EG-VERKLARING VAN OVEREENSTEMMING

Volgens de richtlijn 98/37/CE BIJLAGE II deel A (EG-verklaring van overeenstemming voor machines)

Ondergetekende / firma:

(naam of firmanaam van degene die de door een motor aangedreven poort in bedrijf heeft gesteld)

(adres)

Verklaart onder zijn verantwoordelijkheid dat:

- de automatisering:
- door motor aangedreven draaipoot
 - door motor aangedreven draaideur
 - door motor aangedreven schuifpoort

serienummer: _____

bouwjaar: _____

plaats van installatie (adres): _____

aan de essentiële vereisten van de volgende richtlijnen voldoet:

- 98/37/EG "Machinerichtlijn"
- 89/336/EEG Richtlijn inzake elektromagnetische compatibiliteit
- 73/23/EEG Richtlijn "laagspanning"
- 99/5/EG Richtlijn "R&TTE"

en voorzover van toepassing aan de bepalingen van de volgende normen:

- EN 13241-1 Deuren en poorten voor industrie, handel en garages. Productnorm. Producten zonder brand- of rookwerende eigenschappen.
- EN 12445 Deuren en poorten voor industrie, handel en woningen. Gebruiksveiligheid van gemotoriseerde deuren - Testmethodes.
- EN 12453 Deuren en poorten voor industrie, handel en woningen. Gebruiksveiligheid van gemotoriseerde deuren - Vereisten.

Naam _____

Firma _____

Datum _____

Plaats _____



ONDERHOUDSPLAN

Let op! – Het onderhoud van de installatie moet door bevoegde technici worden uitgevoerd, waarbij de veiligheidswetgeving zoals die van kracht is, volledig in acht dient te worden genomen alsook de veiligheidsvoorschriften uit STAP 1 - “Algemene aanbevelingen en voorzorgsmaatregelen in verband met de veiligheid”, die u aan het begin van deze handleiding vindt.

N.B. – Als er in de installatie nog andere inrichtingen zijn die niet in deze handleiding zijn genoemd, dient u voor wat het onderhoud daarvan de voorschriften van de desbetreffende onderhoudsplannen te volgen.

Uitgaande van normaal huiselijk gebruik van de automatisering is het raadzaam **elk half jaar** een periodieke controle van de installatie uit te voeren of, indien de automatisering dikwijls wordt gebruikt en in geval van een snelle manoeuvre van de vleugel **bij het bereiken van een bepaald aantal manoeuvres**.

Voor het berekenen van dit aantal manoeuvres kunt u uitgaan van de parameter van de geschatte levensduur (zie in “Technische kenmerken van het product”), waarbij u **bij het bereiken van elke 10% van de met deze parameter vastgestelde manoeuvres** een onderhoudsbeurt voorziet; als bijvoorbeeld de totale levensduur 100.000 cycli manoeuvres is, dient het onderhoud elke 10.000 cycli te worden uitgevoerd.

Op het voor het onderhoud voorziene tijdstip dient u de volgende controle- en vervangingswerkzaamheden uit te voeren:

A. Koppel alle bronnen voor elektrische stroomvoorziening los, met inbegrip van eventuele bufferbatterijen.

B. Controleer de mate van kwaliteitsverlies van alle materialen waaruit de automatisering bestaat; controleer bovendien de mate van slijtage van de bewegende delen en kijk tevens naar afslijting of roestvorming van de delen van de structuur; vervang die delen welke onvoldoende garantie bieden.

C. Controleer of het product perfect verankerd is aan het bevestigingsvlak en de bevestigingsmoeren goed aangedraaid zijn.

D. Controleer of het ontgrendelingsmechanisme voor handmatige manoeuvre goed werkt; de kracht die nodig is om de ontgrendeling uit te voeren, mag niet minder dan 220 N zijn.

E. Sluit de bronnen van stroomvoorziening weer aan en voer de hieronder genoemde controles in deze volgorde uit:

1 Voer met behulp van de zender sluit- en openingstests met de poort uit, om na te gaan of de beweging van de vleugel naar behoren wordt uitgevoerd. (**N.B.** – Wanneer de elektrische stroom weer terugkeert, zal de eerste manoeuvre door de automatisering op gereduceerde snelheid worden uitgevoerd, onafhankelijk van het soort ingestelde snelheid). Het is raadzaam meerdere tests uit te voeren om te beoordelen of de poort soepel loopt en er eventuele montage- of afstellingsdefecten zijn, of punten met een bijzondere wrijving

2 Controleer alle veiligheidsinrichtingen van de installatie (fotocellen, gevoelige randen, enz.) één voor één, of ze goed werken. **Fotocellen:** laat de inrichting tijdens een *openings-* of *sluitmanoeuvre* in werking treden en controleer of de besturingseenheid de manoeuvre tot staan brengt en een totale terugloop verricht (het knipperlicht moet nu 2 maal 2 knipperingen afgeven). **Contactlijsten:** laat de inrichting tijdens een *openings-* of *sluitmanoeuvre* in werking treden en controleer of de besturingseenheid de manoeuvre tot staan brengt en een korte terugloop uitvoert (het knipperlicht moet 2 maal 4 knipperingen afgeven).

3 Controleer of er geen interferenties tussen de fotocellen met andere inrichtingen zijn, onderbreekt u met een cilinder (met een diameter van 5 cm en een lengte van 30 cm) de optische as die het stel fotocellen (**afb. 71**) met elkaar verbindt: eerst dichtbij de fotocel TX, vervolgens dichtbij de RX en tenslotte in het midden tussen de twee fotocellen. Tenslotte controleert u of de inrichting altijd in werking treedt, waarbij ze van de *actieve* staat in de *alarmstaat* komt en omgekeerd; vergewis u er daarna van dat ze de voorziene reactie in de besturingseenheid oproept (*bijvoorbeeld* terugloop bij de sluitmanoeuvre)

4 Nadat u een obstakel op het sluittraject van de poort hebt aangebracht, geeft u instructie voor een sluitmanoeuvre en controleert u of de automatisering een terugloop uitvoert zodra de poort het obstakel raakt (veiligheidsmanoeuvre).

Let op! – gebruik als obstakel een stuk hout met een lengte van 50 cm en met een zodanige doorsnede dat hij door de vleugel kan worden geraakt. Plaats daarna het obstakels zoals dat op **afb. 72** is aangegeven.

ONDERHOUDSREGISTER

Belangrijk – Dit onderhoudsregister dient nadat alle delen daarvan zijn ingevuld, aan de eigenaar van de automatisering te worden overhandigd.

In dit register dienen alle verrichte onderhouds- en reparatiewerkzaamheden alsook wijzigingen te worden genoteerd. Het register moet bij elke werkzaamheid worden bijgewerkt en zorgvuldig worden bewaard zodat het voor eventuele inspectie van de bevoegde autoriteiten beschikbaar is.

Dit onderhoudsregister heeft betrekking op onderstaande automatisering:

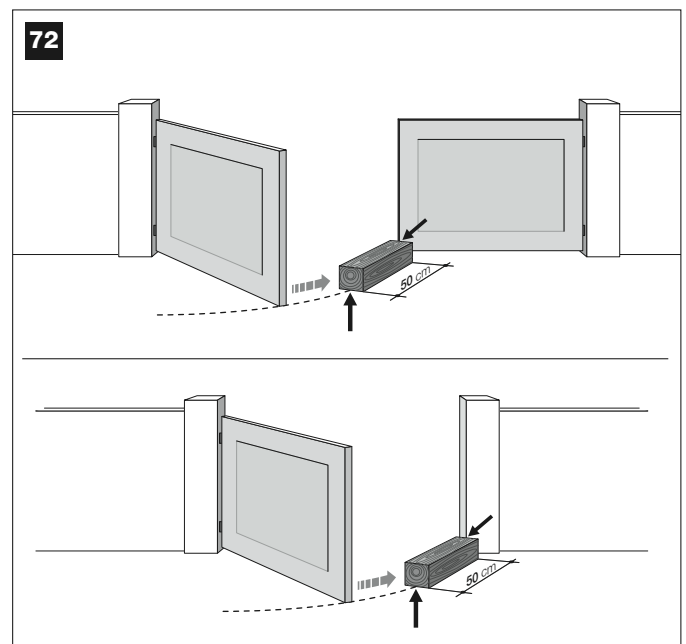
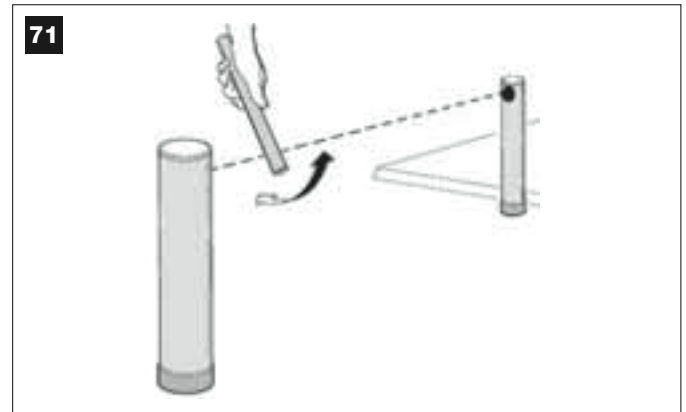
mod.,
serienummer,
geïnstalleerd op,
bij,
.....
.....
.....
.....

Bijgevoegde documenten maken deel uit van dit onderhoudsregister:

- 1) - Onderhoudsplan
- 2) -
- 3) -
- 4) -
- 5) -
- 6) -

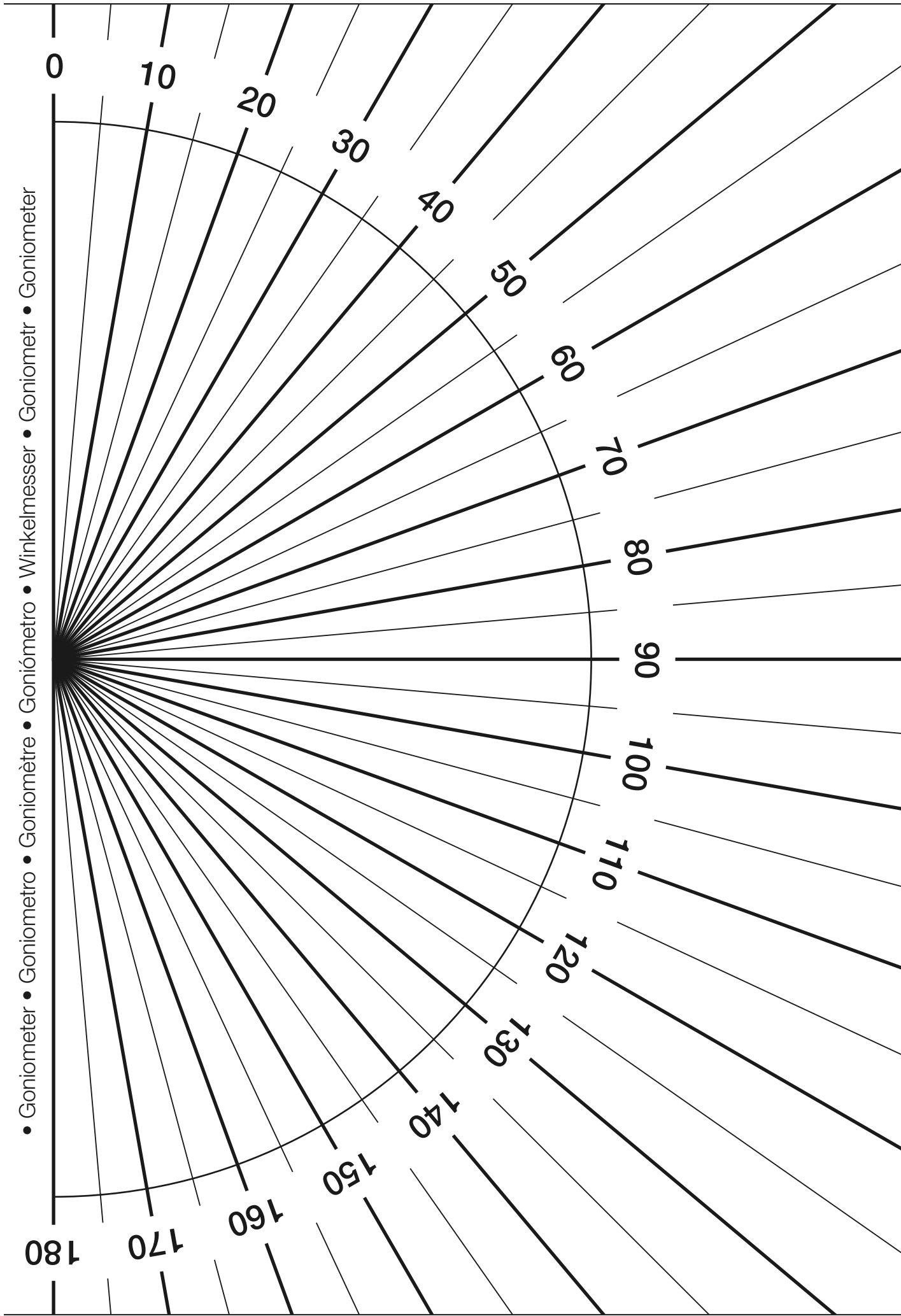
Volgens het bijgevoegde document “Onderhoudsplan” dienen de onderhoudswerkzaamheden met de volgende frequentie te worden uitgevoerd:

elke maanden of **elke** cycli manoeuvres, al naar gelang welke gebeurtenis zich eerder voordoet.





• Goniometer • Goniometro • Goniomètre • Goniómetro • Winkelmesser • Goniometr • Goniometer



English

Italiano

Français

Español

Deutsch

Polski

Nederlands

Moovo is a commercial trademark owned by Nice S.p.a.

Moovo è un marchio di Nice S.p.a.

Moovo est une marque de Nice S.p.a.

Moovo es una marca de Nice S.p.a.

Moovo to marka firmy Nice S.p.a.

Moovo is een merk van Nice S.p.a.

Nice S.p.a.

Via Pezza Alta, 13 - Z.I. Rustignè

31046 Oderzo (TV), Italia

Tel. +39 0422 20 21 09

Fax +39 0422 85 25 82

moovo