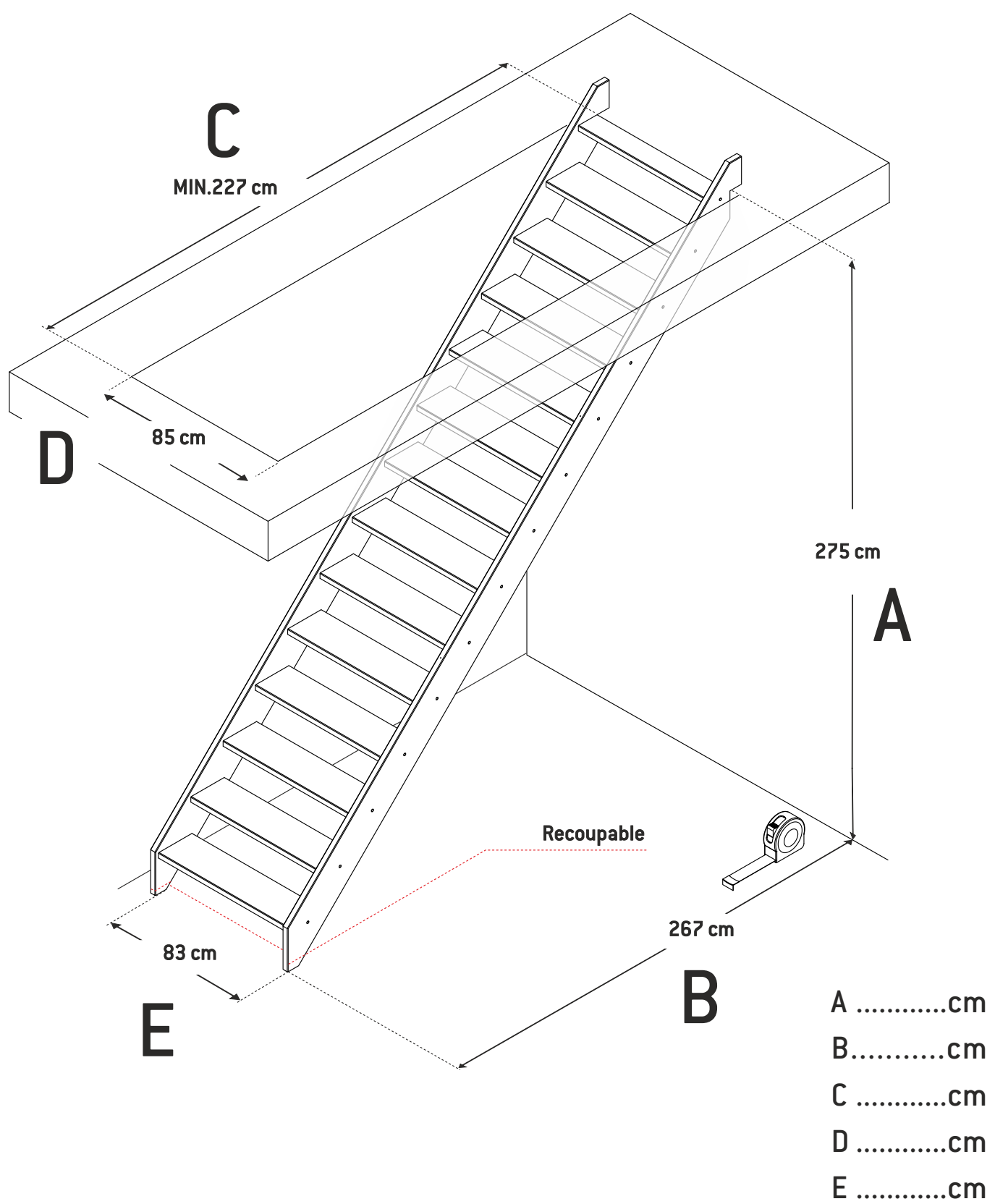


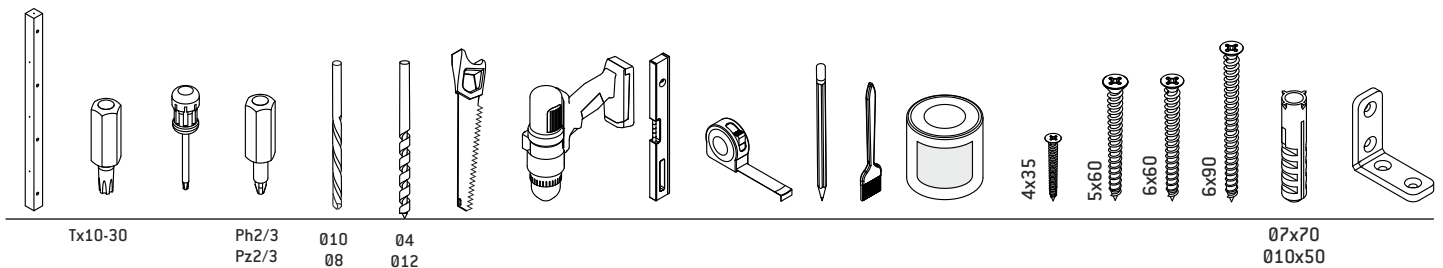
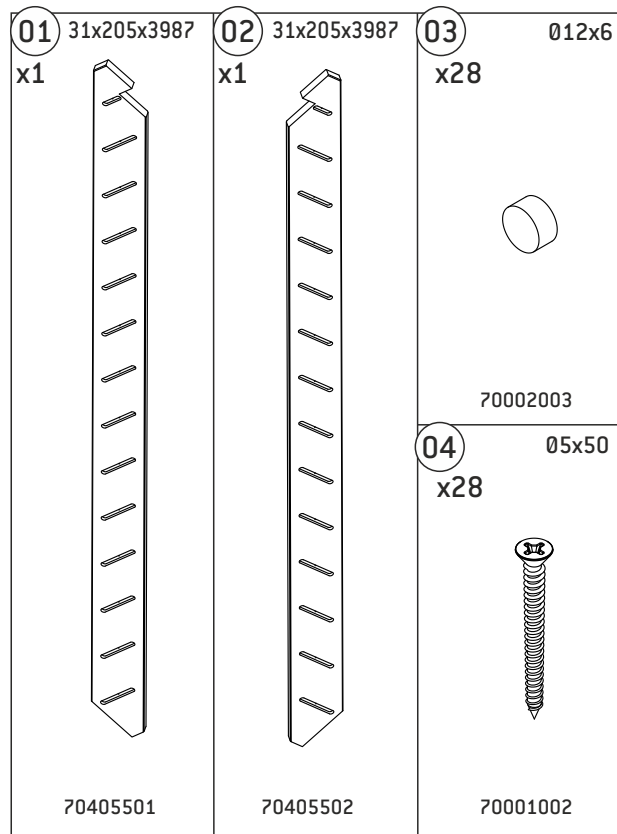
**1 2**

**2 LIMONS**

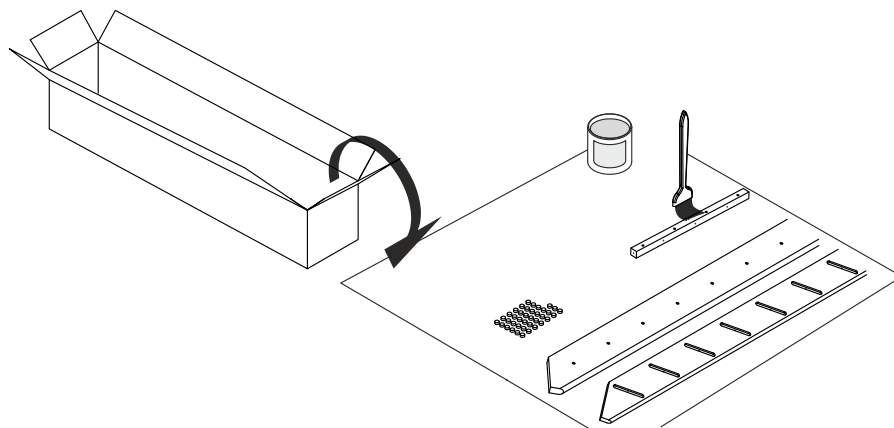
# BERGEN

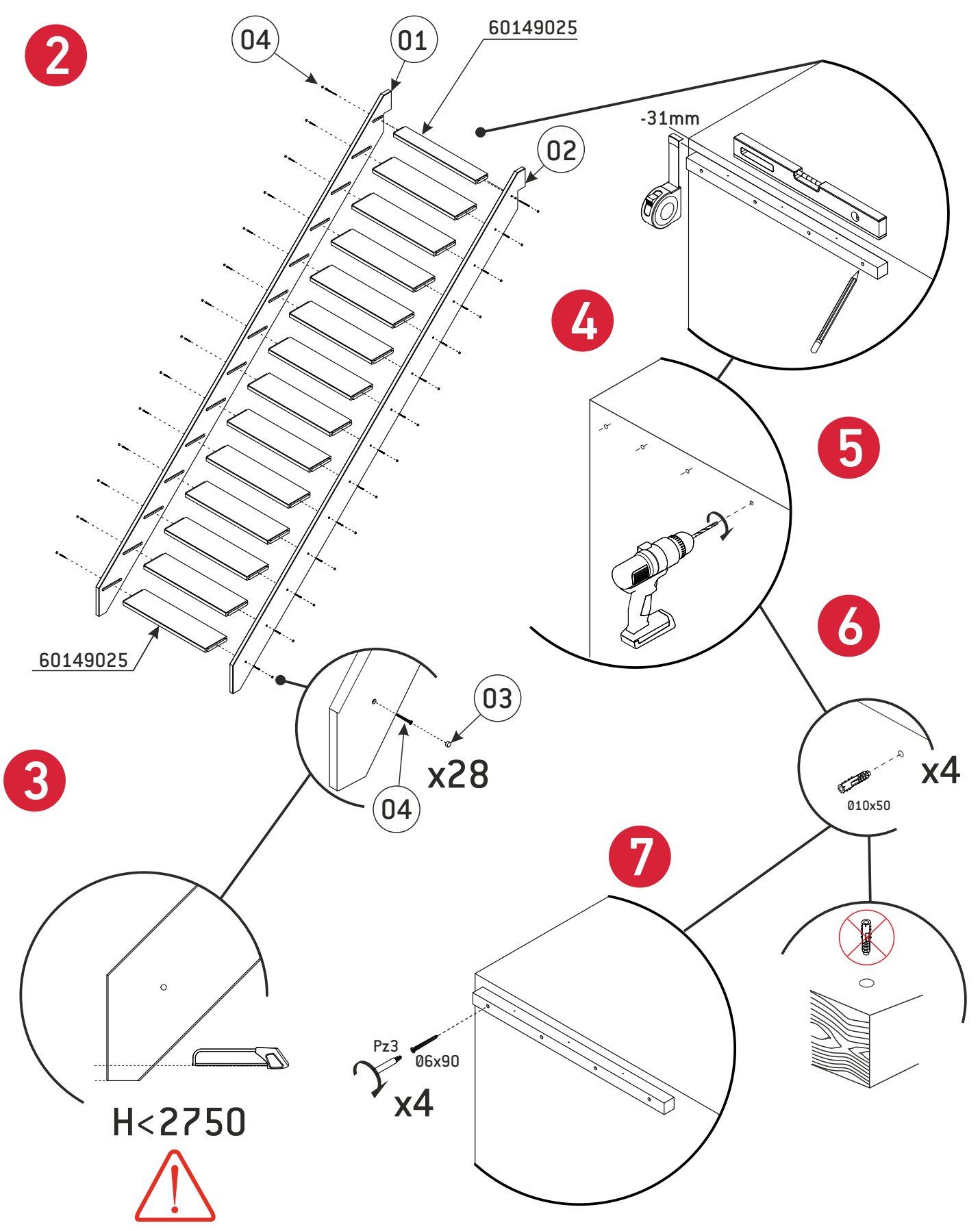
ESCALIER DROIT SANS RAMPE



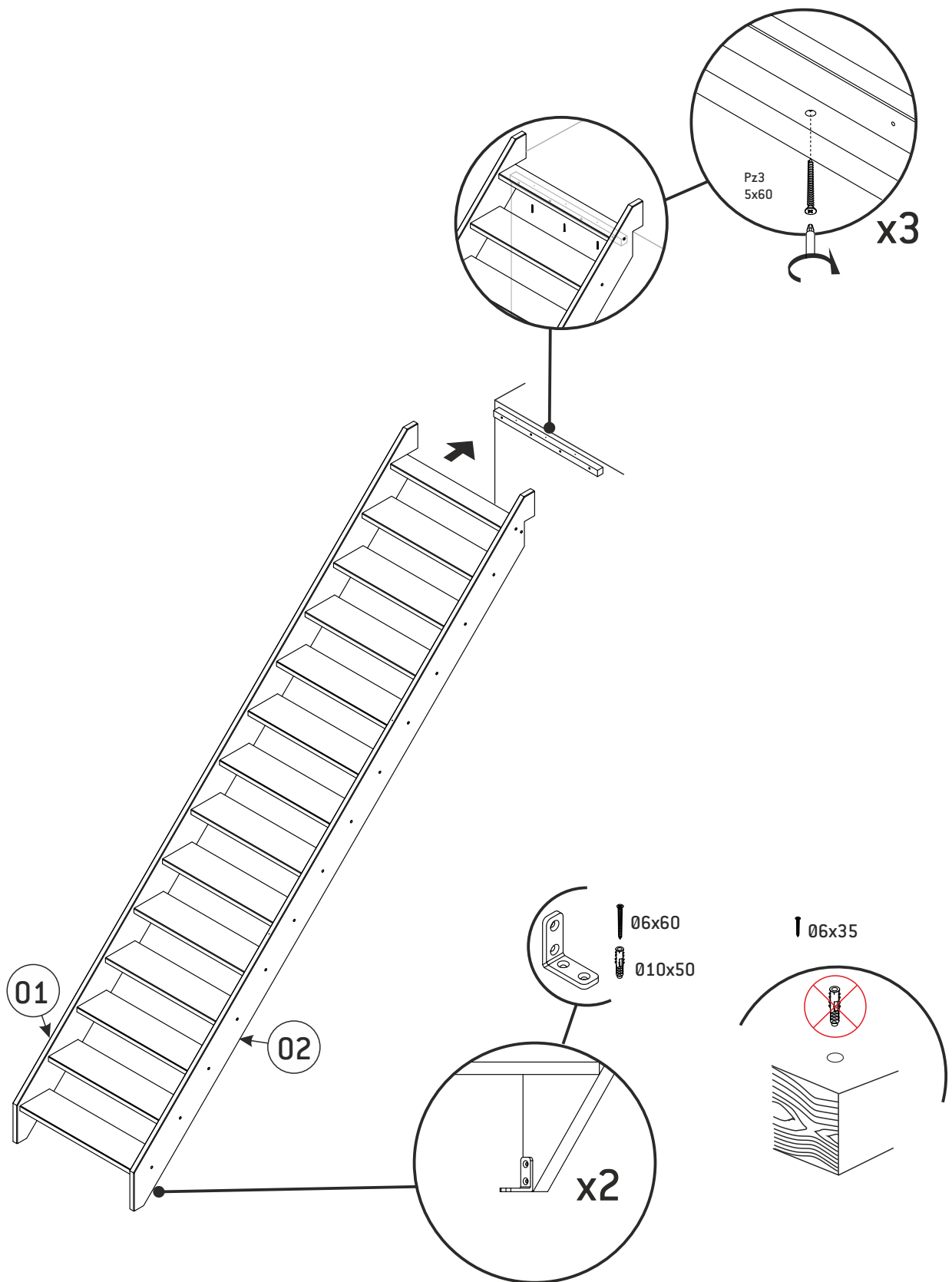


**1**



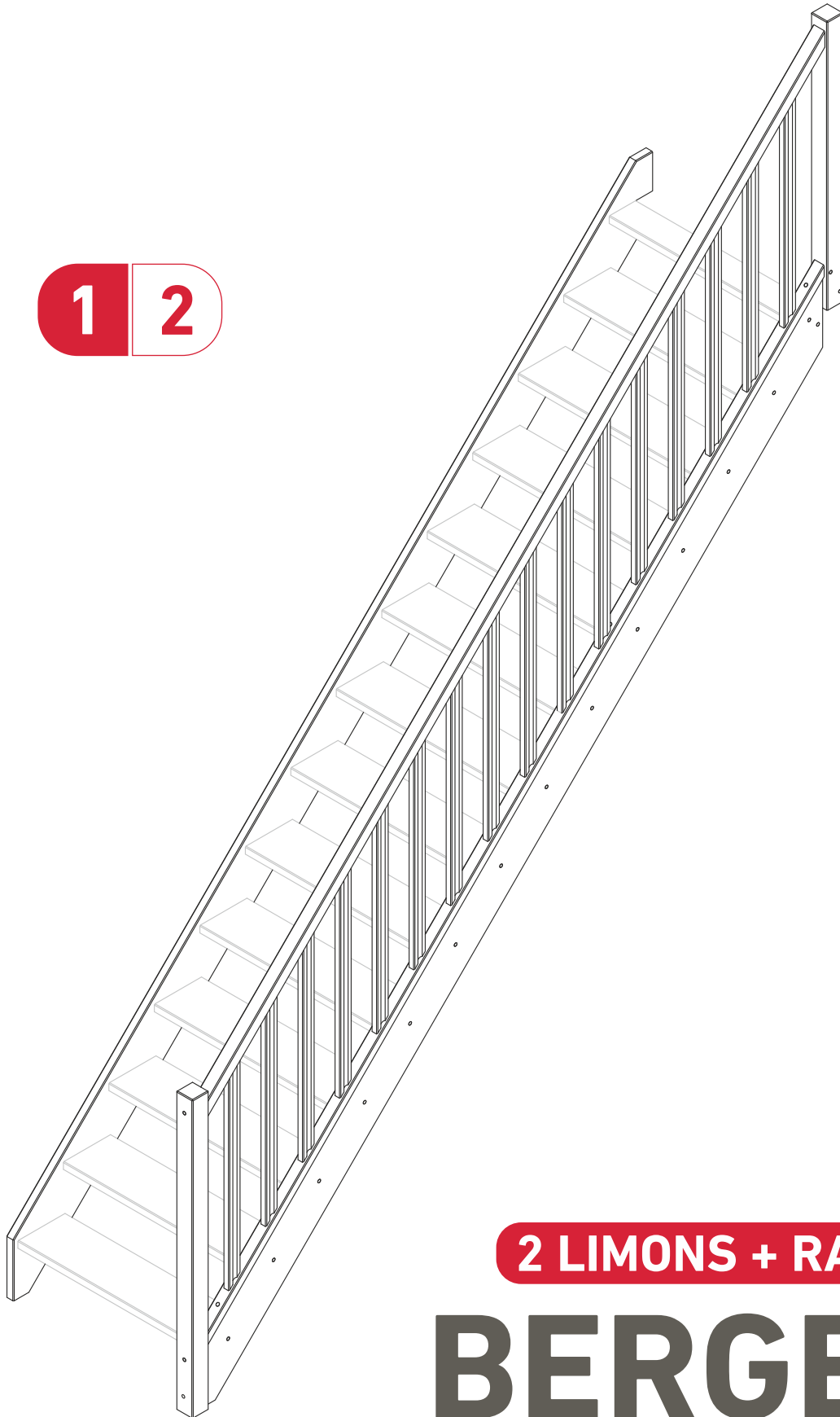


8





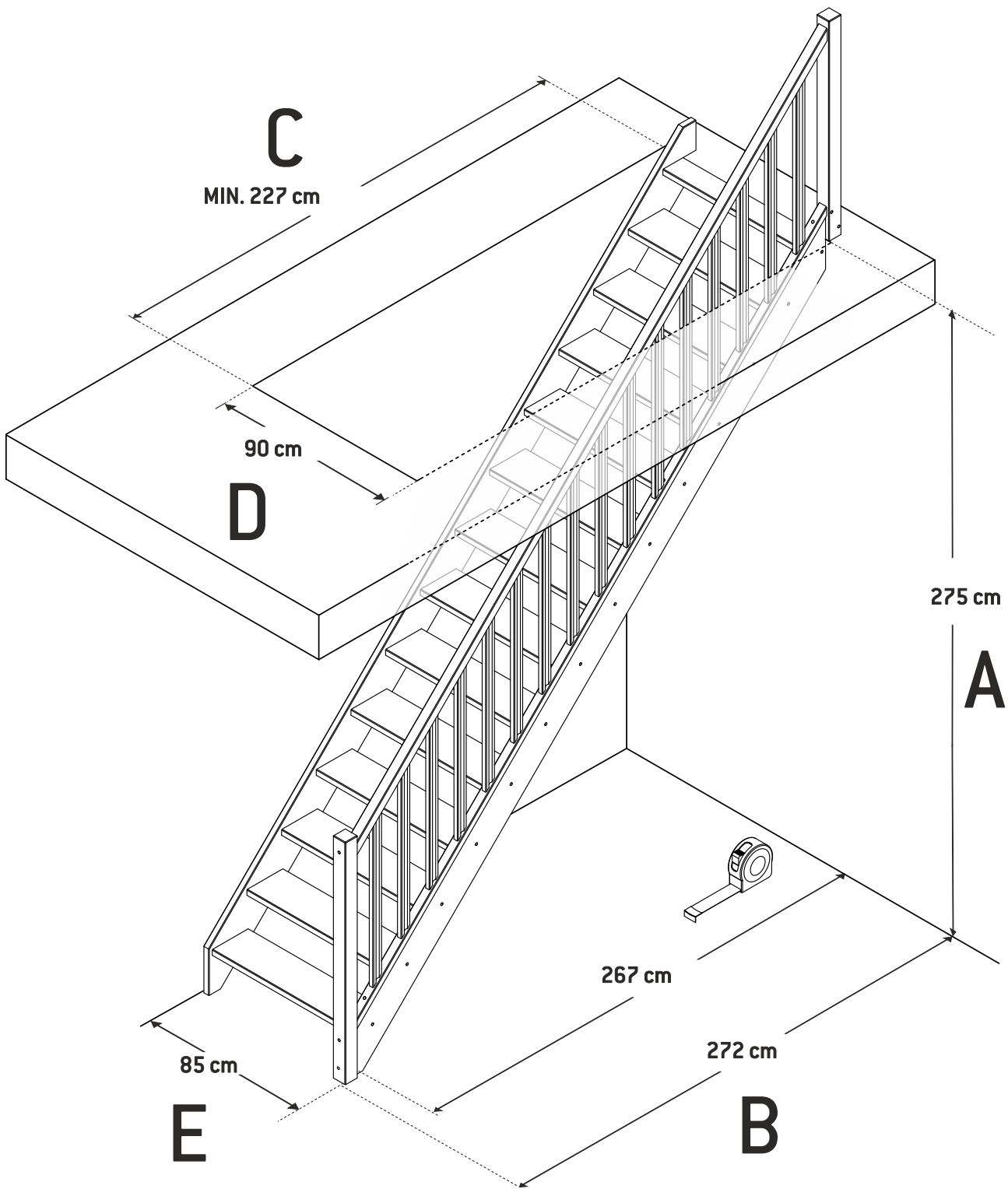
**1 2**



**2 LIMONS + RAMPE**

# **BERGEN**

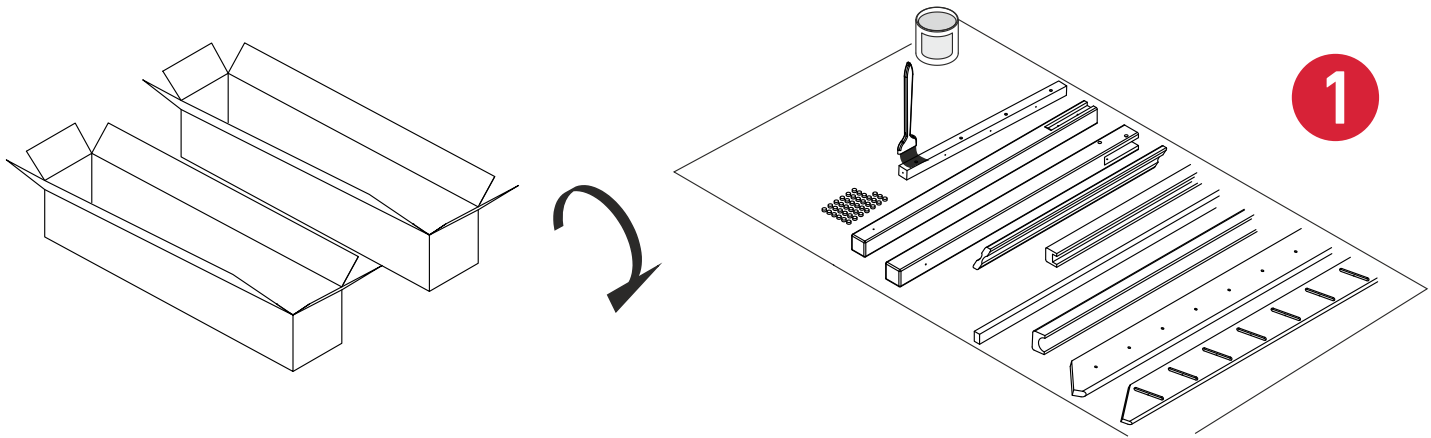
**ESCALIER DROIT AVEC RAMPE**



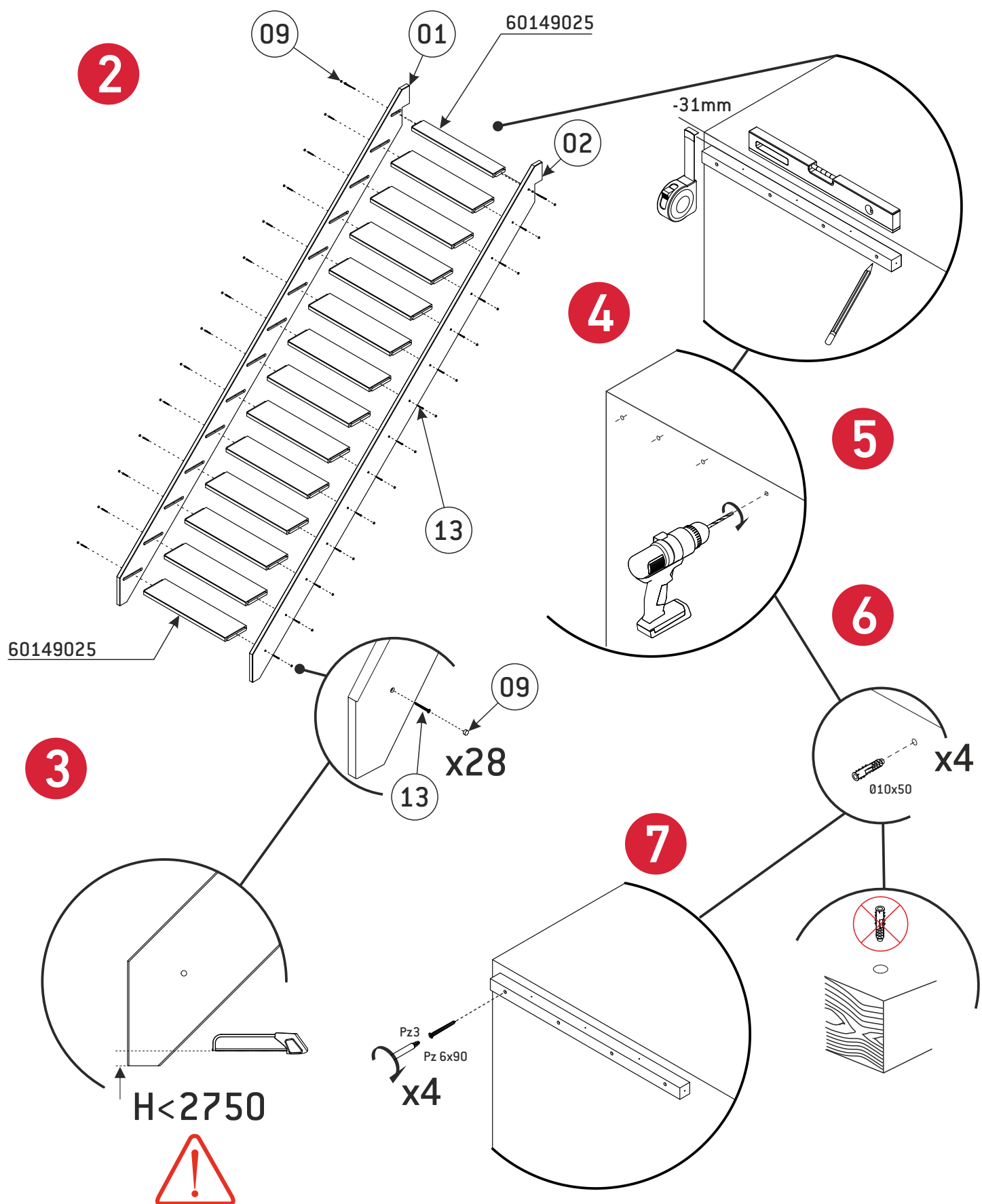
- A .....cm
- B.....cm
- C .....cm
- D .....cm
- E .....cm

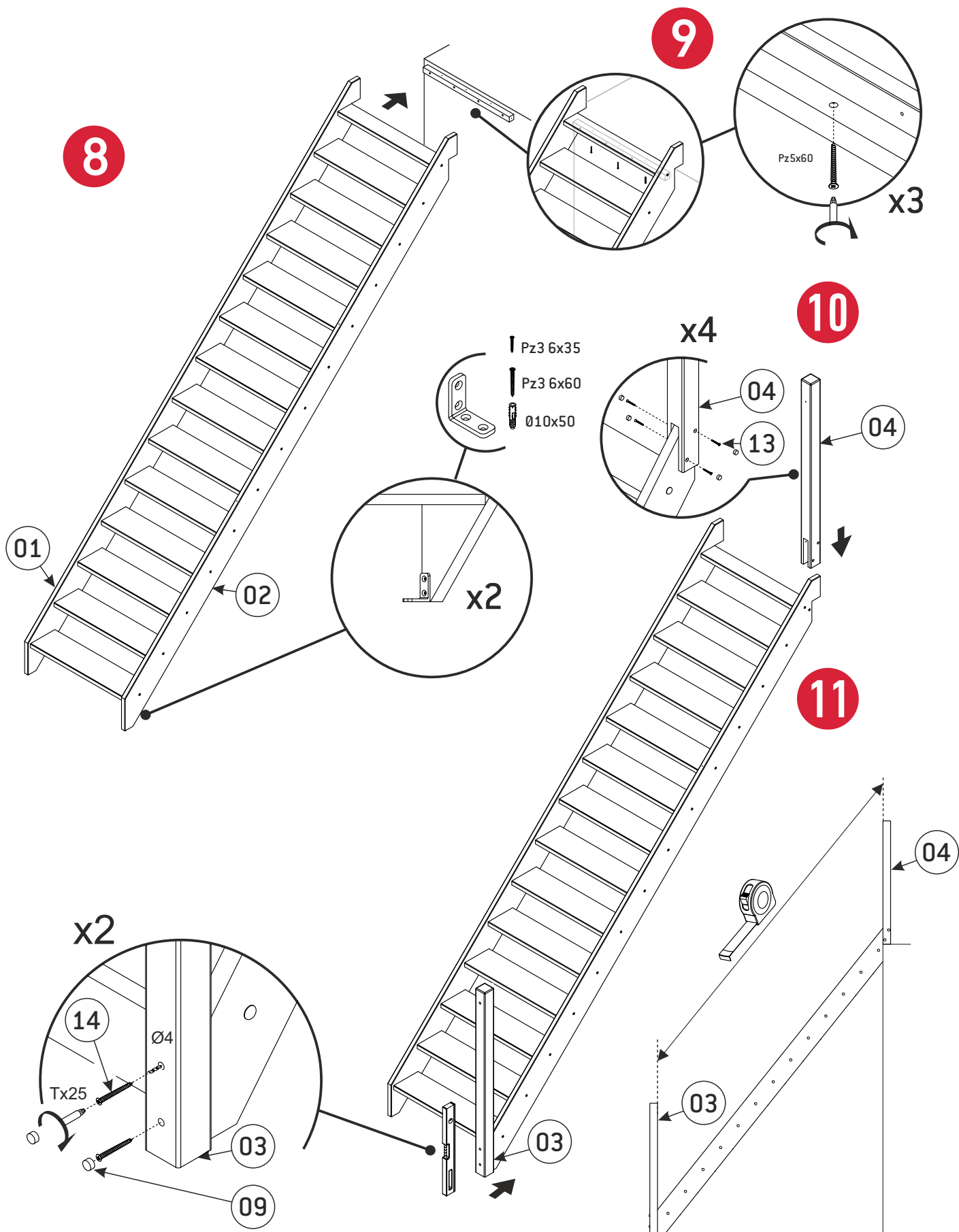
<b>01</b> 31x205x3987 x1  70405501	<b>02</b> 31x205x3987 x1  70405502	<b>03</b> 70x70x1180 x1  70405503	<b>04</b> 70x70x1071 x1  70405504	<b>05</b> 25x50x862 x16  70405203	<b>06</b> 30x44x3800 x1  70405505	<b>07</b> 42x50x3800 x1  70405506	<b>08</b> 26x16x3800 x1  70405507	<b>09</b> 012x6 x41  70002003 <b>10</b> 45x25x200 x2 154  70405205				
<b>11</b> 04x35 x4  70001015	<b>12</b> 04x40 x68  70001016	<b>13</b> 05x50 x32  70001002	<b>14</b> 05x60 x4  70001017									

- 
- 
- 
- 
- 
- 
- 
- 
- 
- 
- 
- 
- 
- 
- 
- 
- 
- 
- 
- 
- 
- 

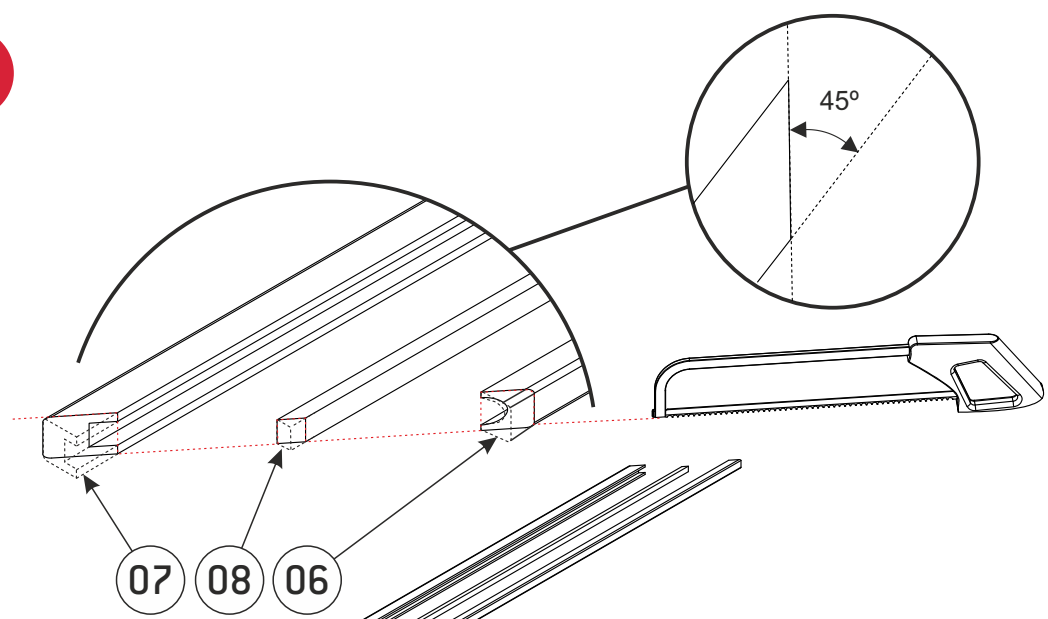




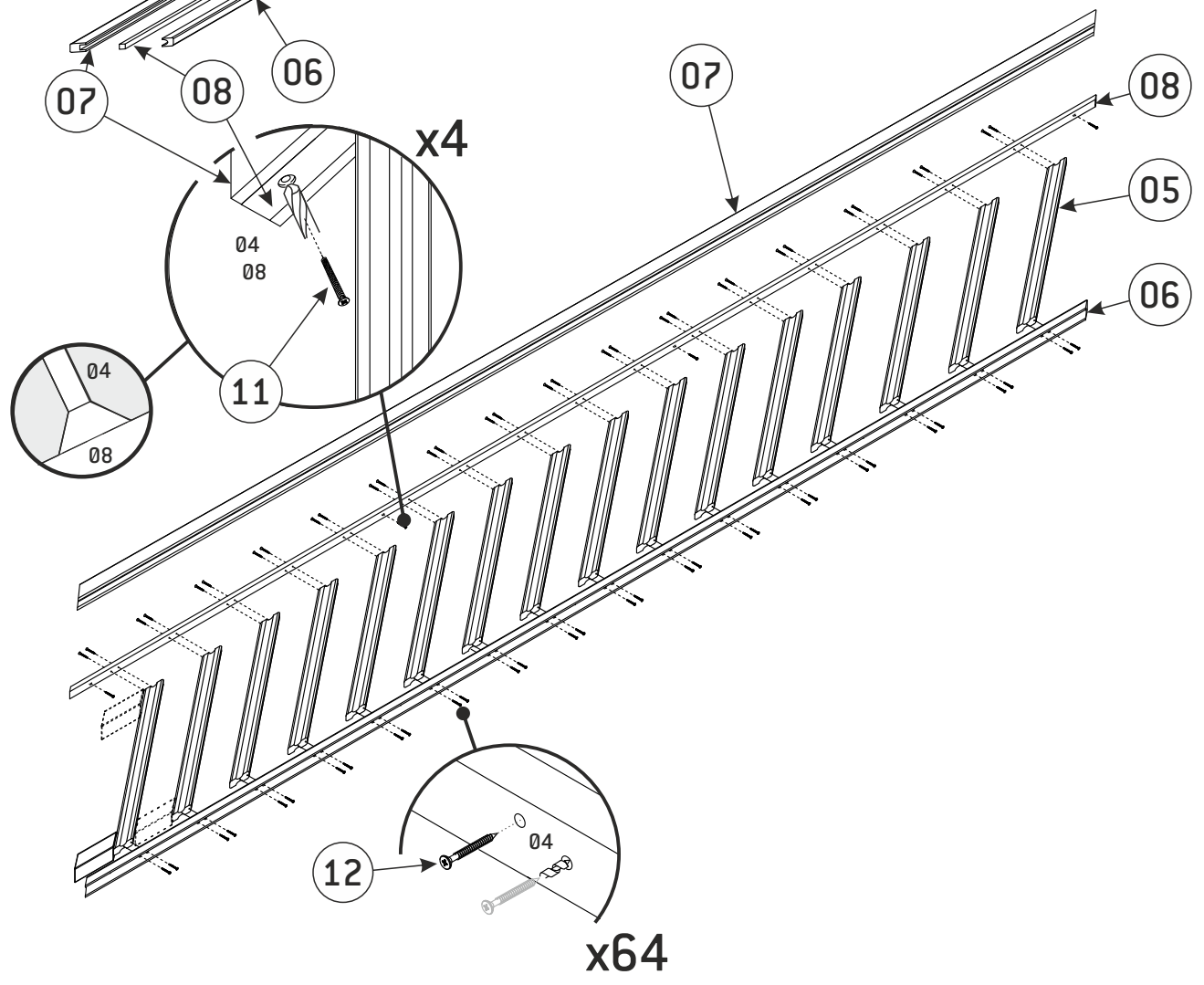




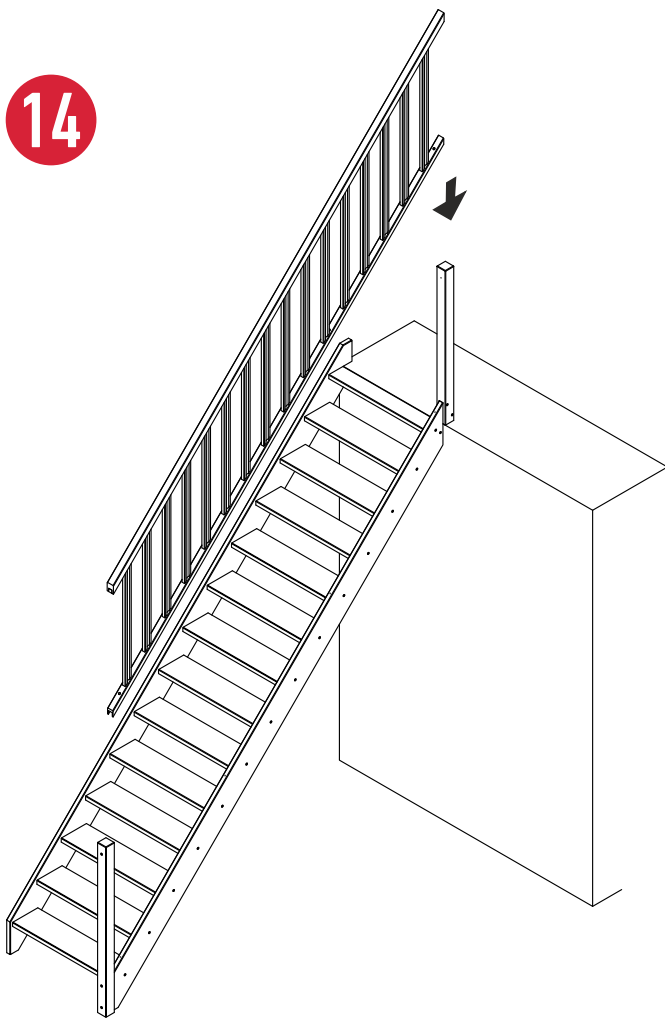
**12**



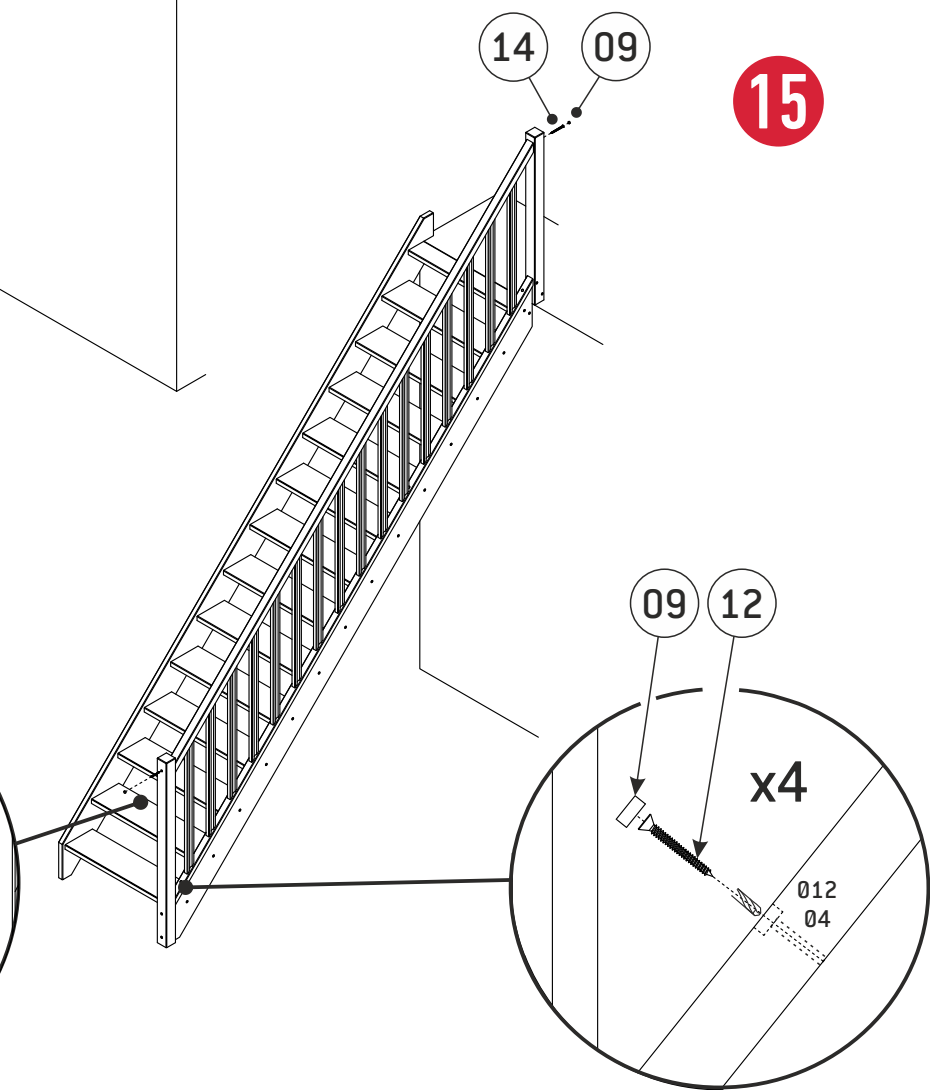
**13**



14



15





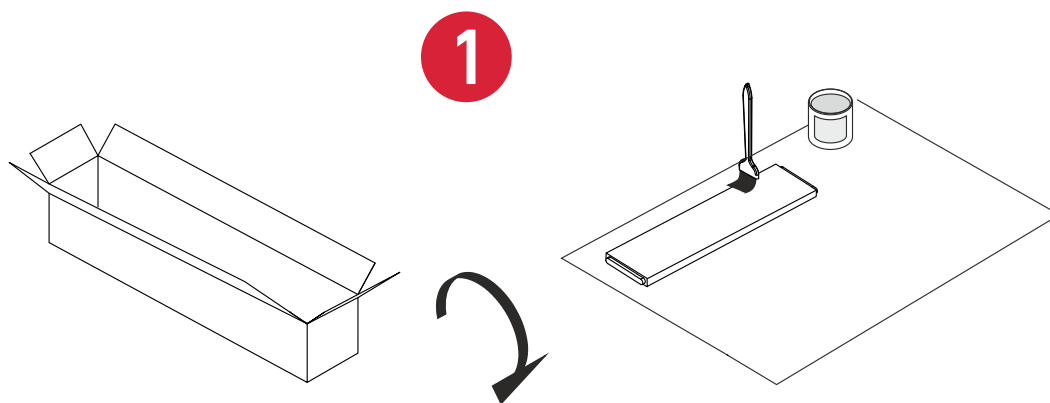
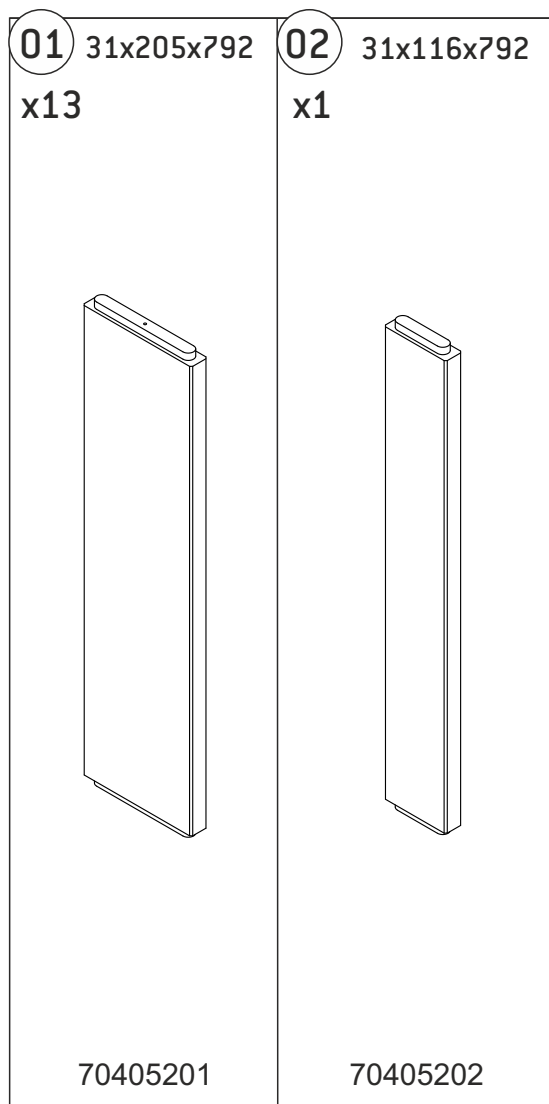
**2 | 2**



**14 MARCHES**

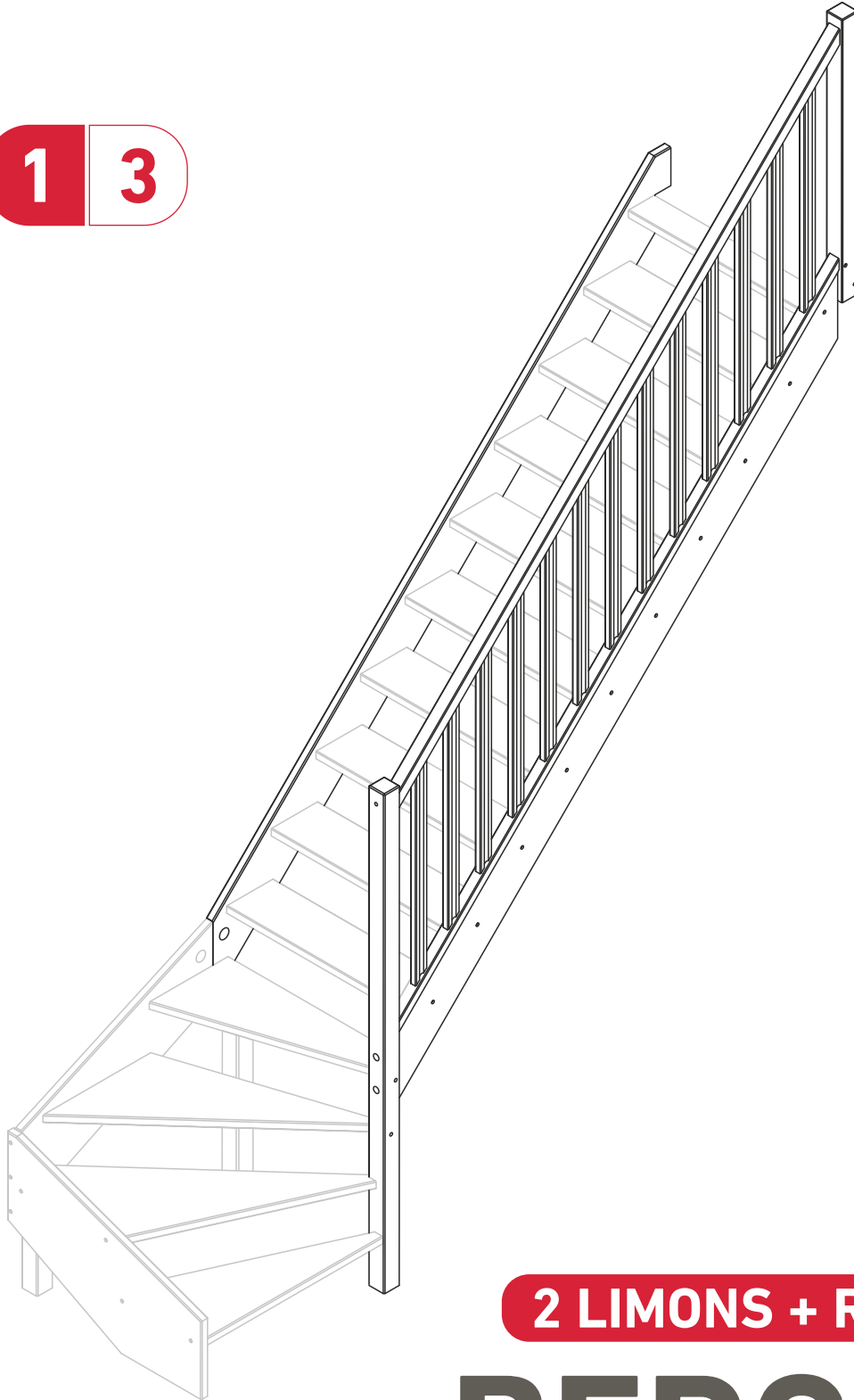
# **BERGEN**

ESCALIER DROIT AVEC/SANS RAMPE





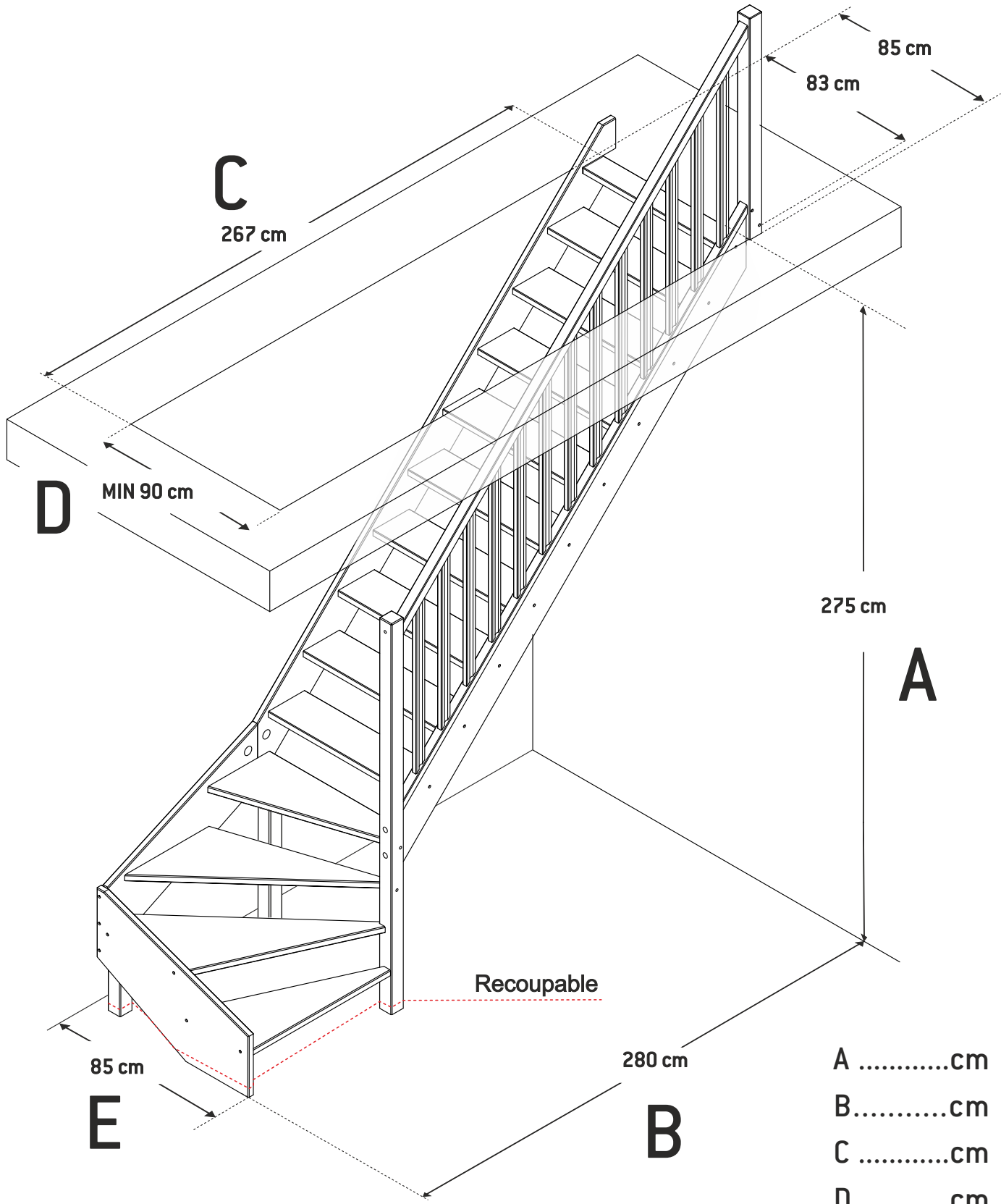
**1** **3**



**2 LIMONS + RAMPE**

# BERGEN

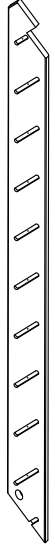
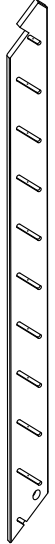


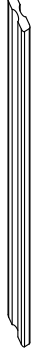



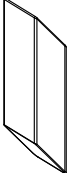





ESCALIER ¼ TOURNANT DROIT AVEC RAMPE









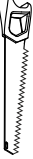
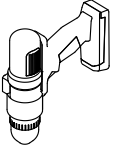
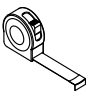







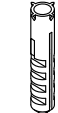
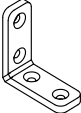

Recoupable

- A .....cm
- B.....cm
- C .....cm
- D .....cm
- E .....cm

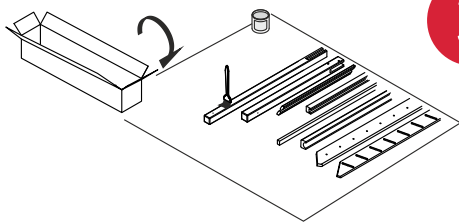


<b>01</b> 31x205x2994 x1  70405508	<b>02</b> 31x205x2994 x1  70405509	<b>03</b> 70x70x1890 x1  70405515	<b>04</b> 70x70x1071 x1  70405511	<b>05</b> 25x50x862 x13  70405203	<b>06</b> 30x44x2800 x1  70405512	<b>07</b> 42x50x2800 x1  70405513	<b>08</b> 26x16x2800 x1  70405514	<b>09</b> 16x25x171 x2  129,4 70405206 <b>10</b> 012x6 x42  70002003
<b>11</b> 04x35 x3  70001015	<b>12</b> 04x40 x55  70001016	<b>13</b> 05x50 x29  70001002	<b>14</b> 05x60 x2  70001017					

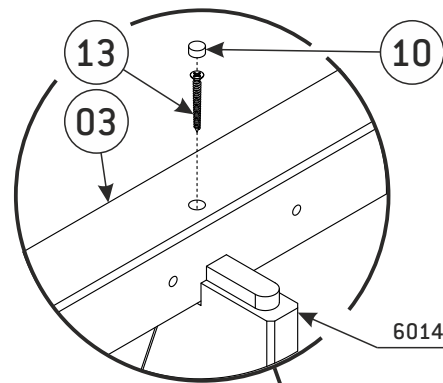


																		
Tx10-30	Ph2/3 Pz2/3	010 08	04 012								6x35	5x60	6x60	6x90	07x70 010x50			13

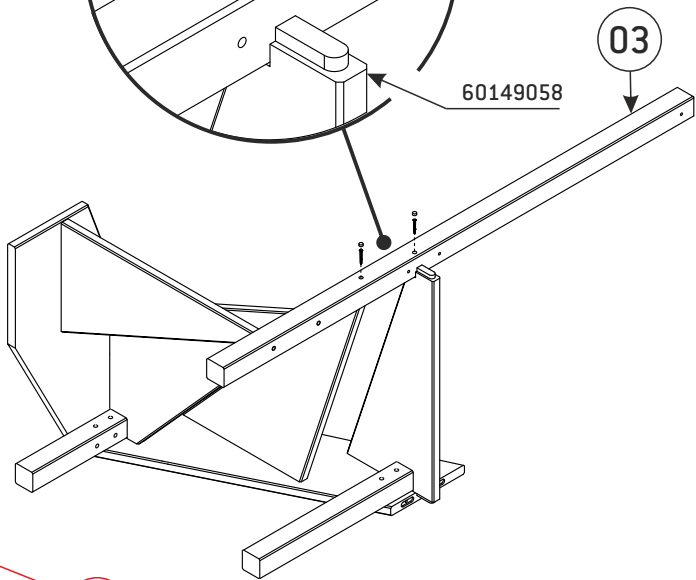
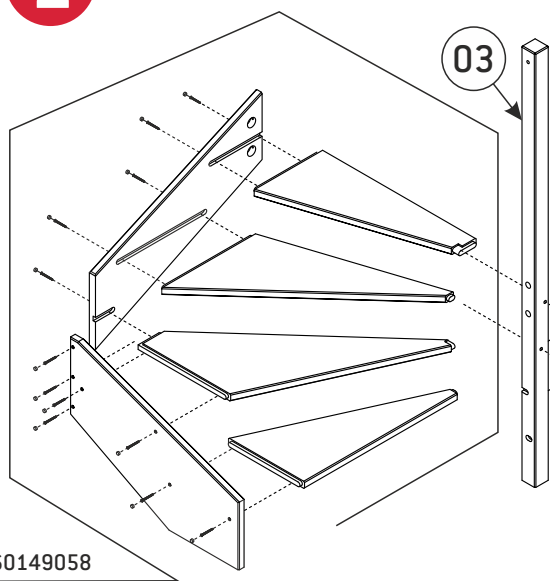
**1**



**3**

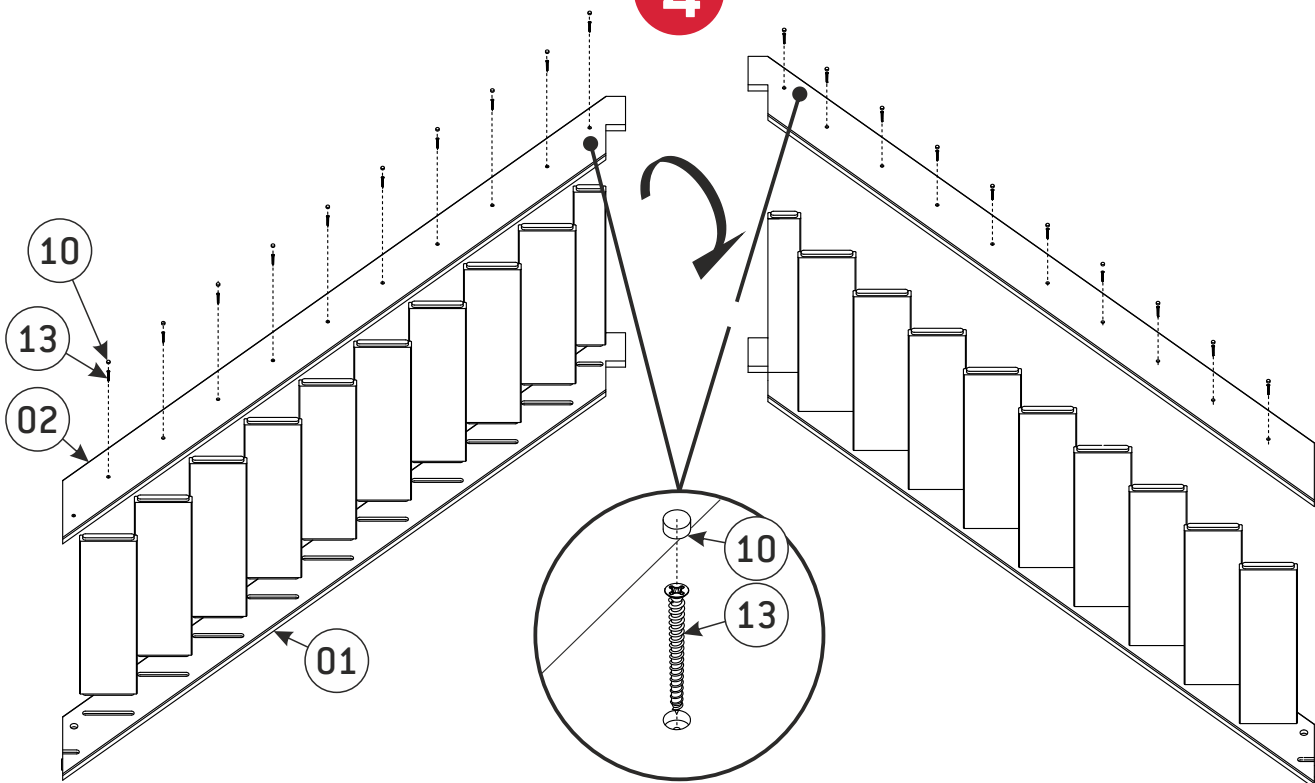


**2**

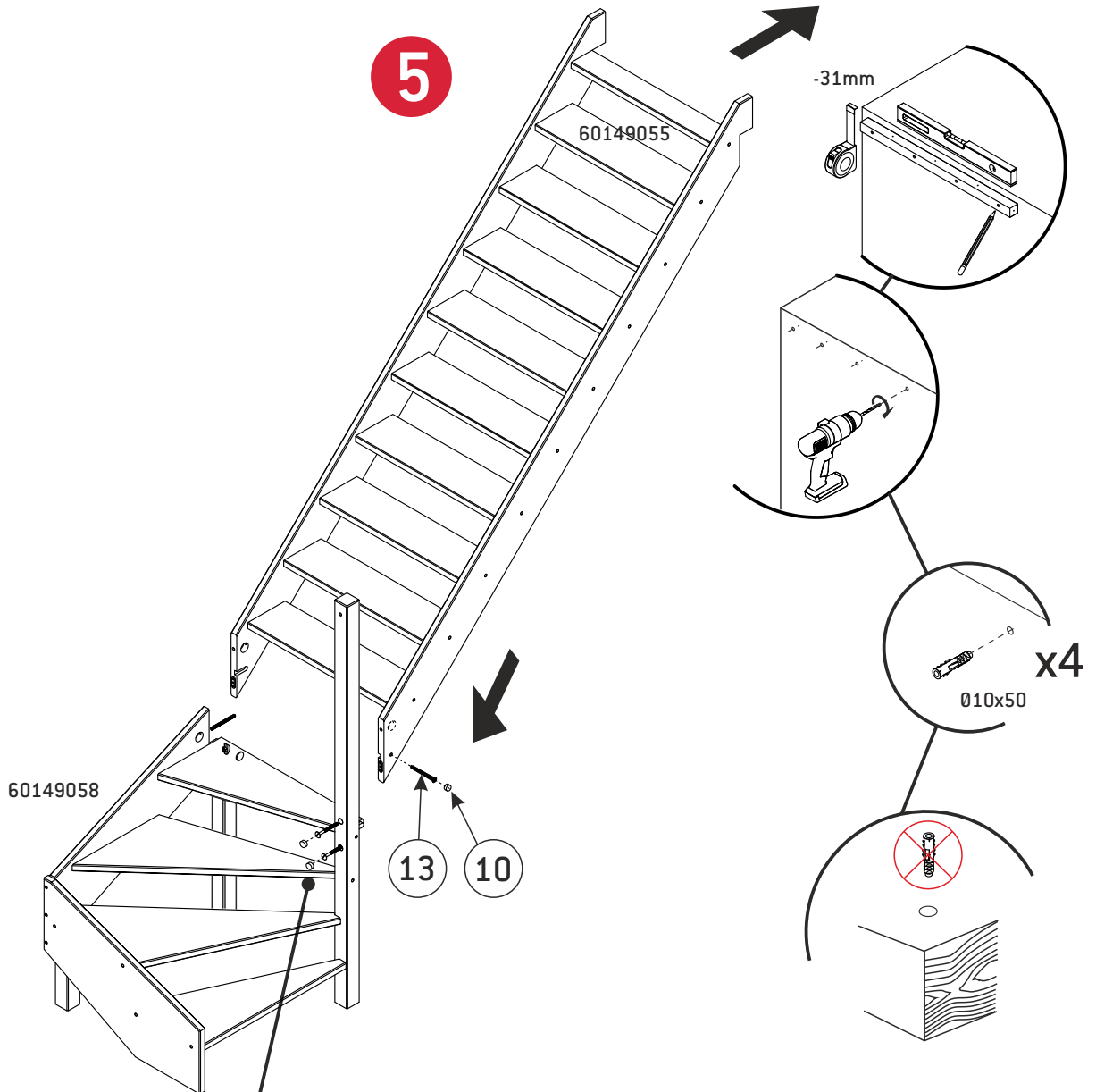


60149058

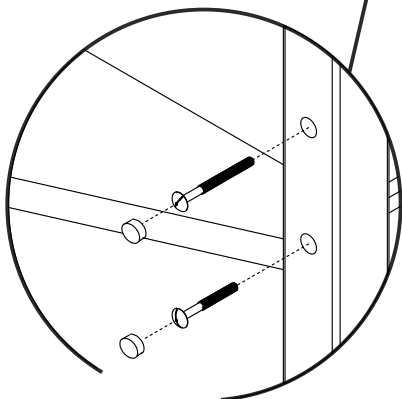
**4**



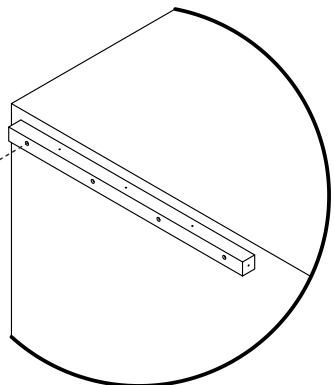
**5**

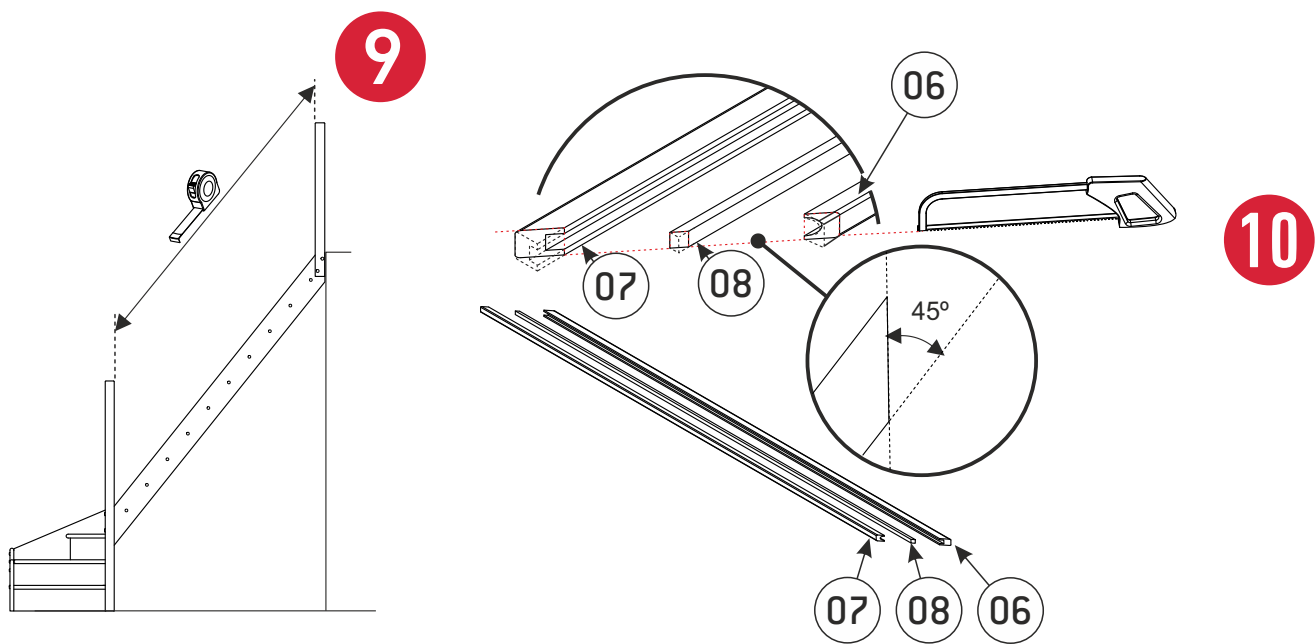
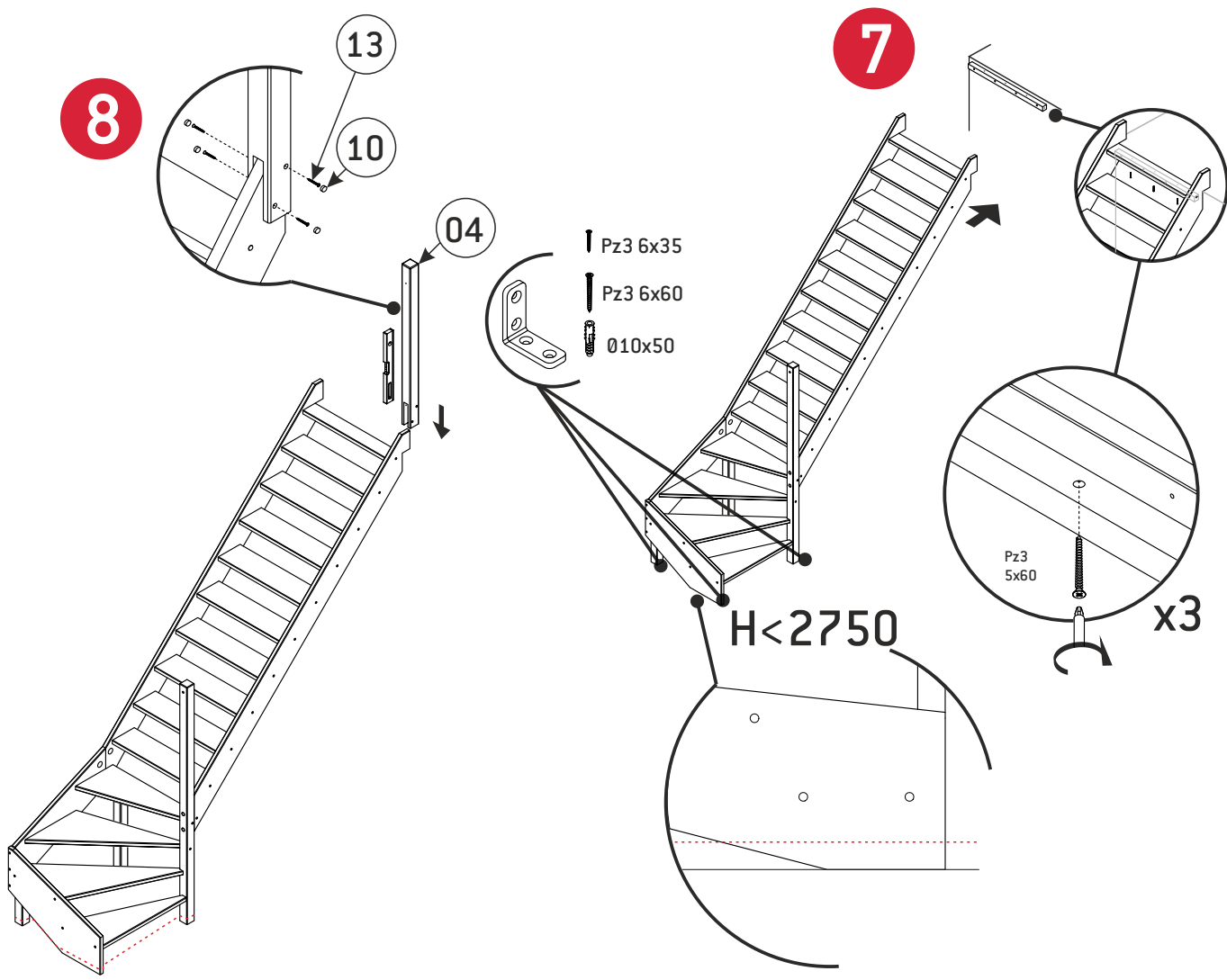


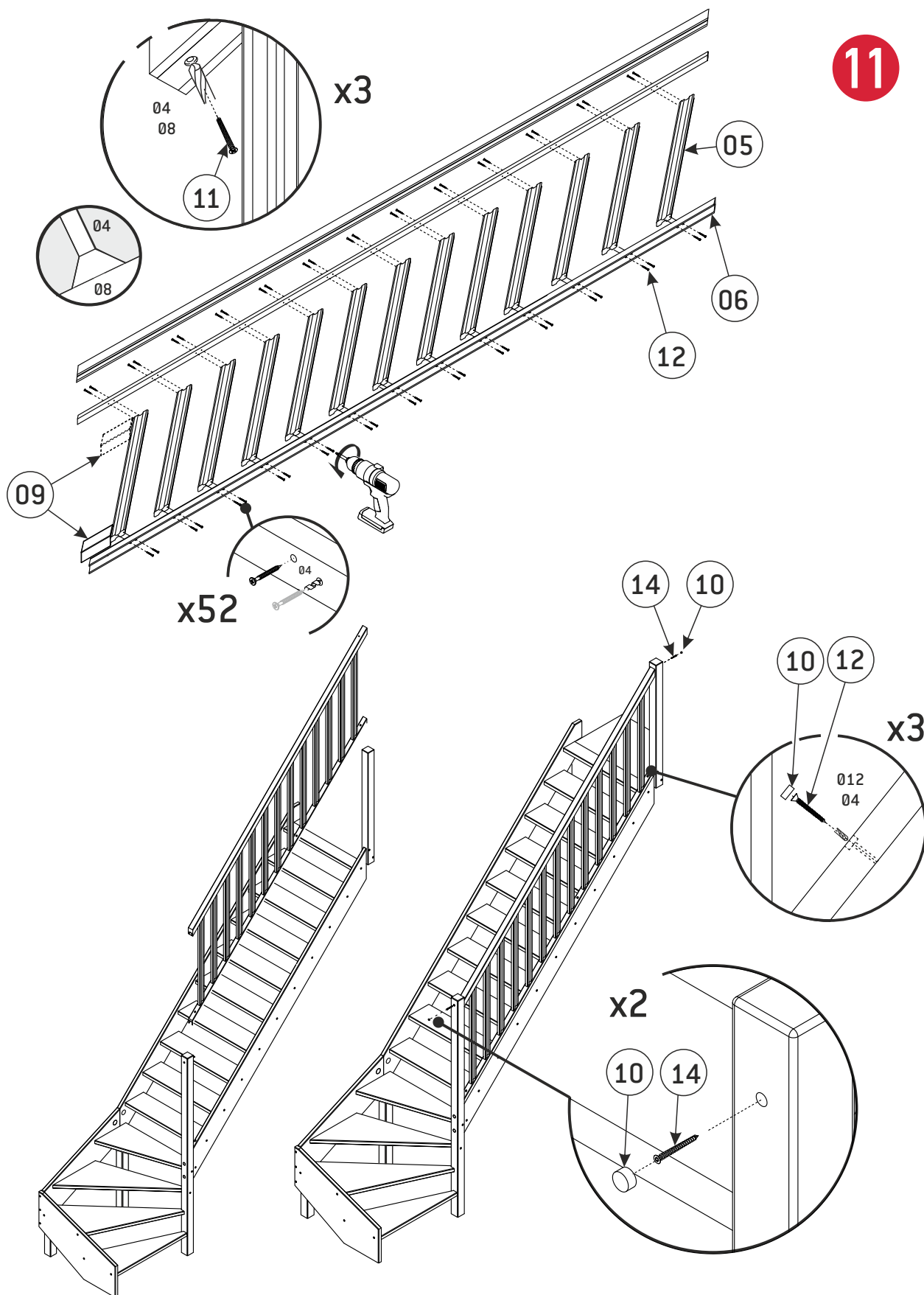
**6**



Pz3  
6x90  
x4

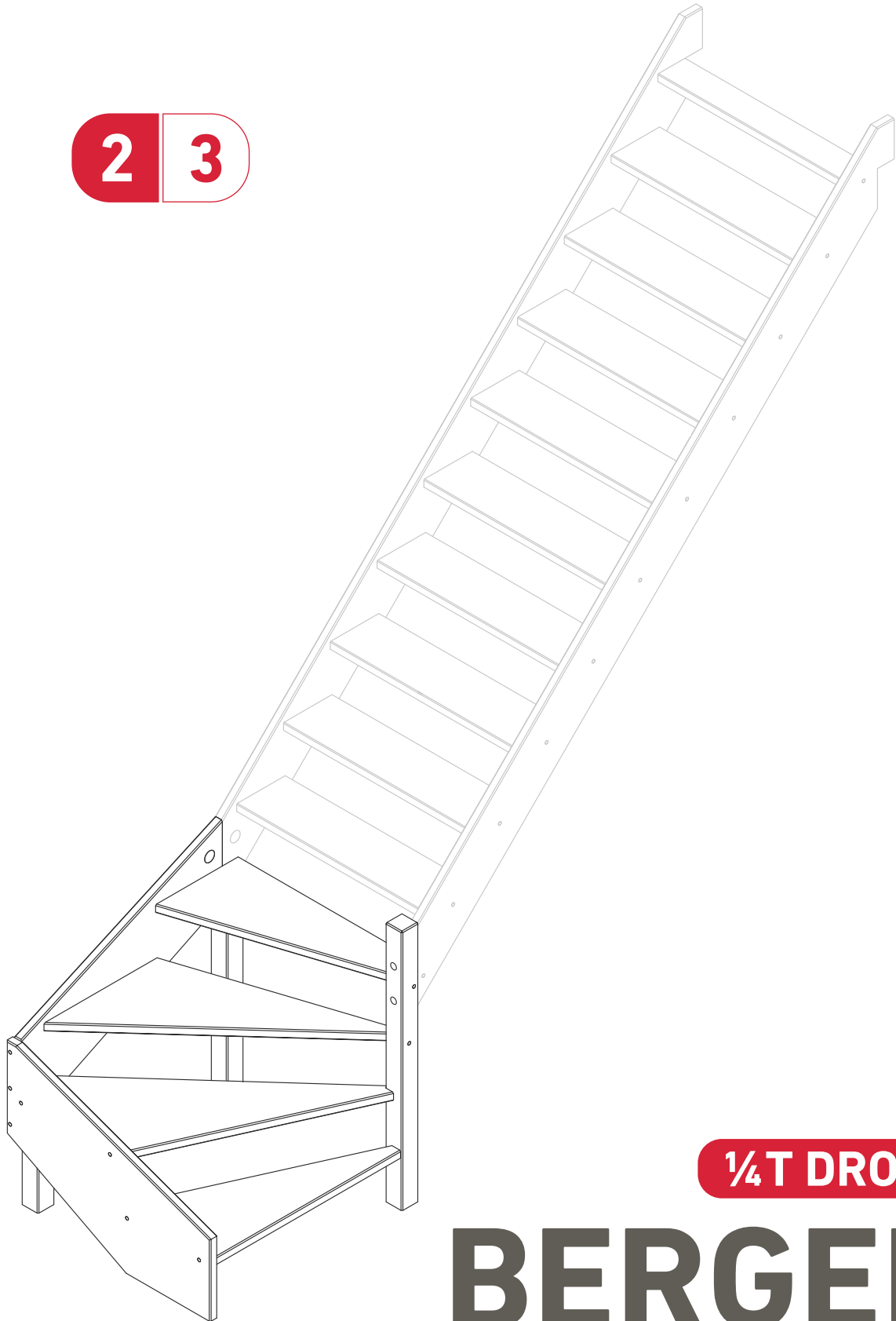








**2 3**

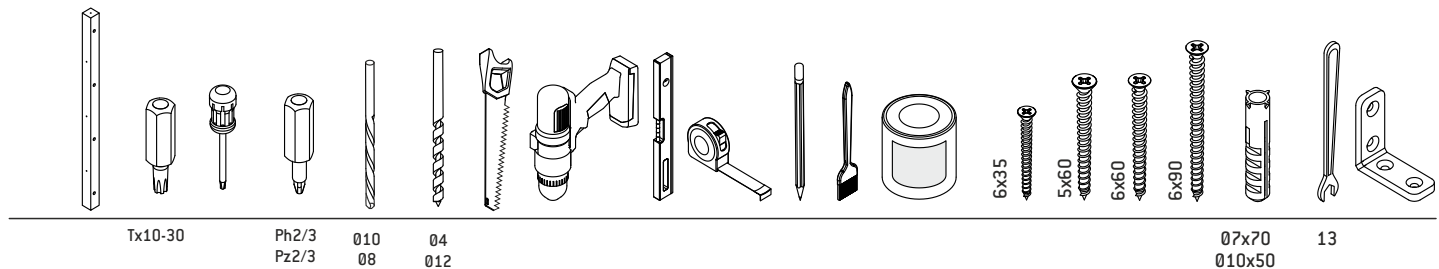


**1/4 T DROIT**

# BERGEN

ESCALIER 1/4 TOURNANT DROIT SANS RAMPE

01 70x70x965 x1  70405221	02 31x348x792 x1  70405215	03 31x719x773 x1  70405216	04 31x796x799 x1  70405217	05 31x382x792 x1  70405218	06 31x590x849 x1  70405219	07 31x705x838 x1  70405220	08 70x70x379 x1  70405213	09 024x6 x2  70002006	
10 040x6 x2  70002009	11 M8x75 x2  70001026	12 4x16x50 x2  70001001	13 15x17x34 x4  70001031	14 M8 x4  70001029	15 05x60 x17  70001017	16 08x80 x2  70001032	17 70x70x769 x1  70405226		
18 04x35 x4  70001015	19 M8x110 x1  70001015	20 08x110 x1  70001015							



Tx10-30

Ph2/3  
Pz2/3

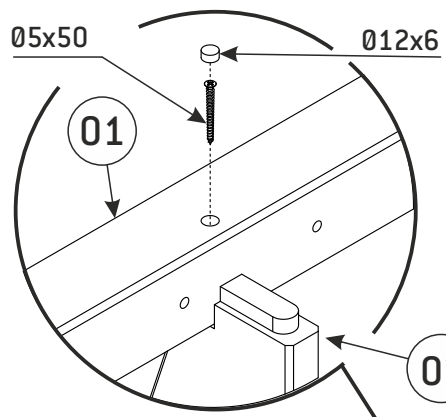
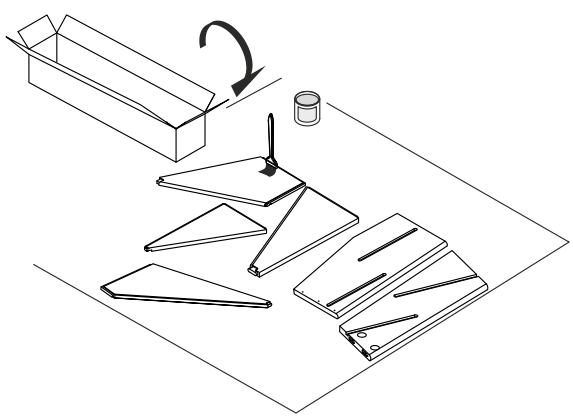
010  
08

04  
012

07x70  
010x50

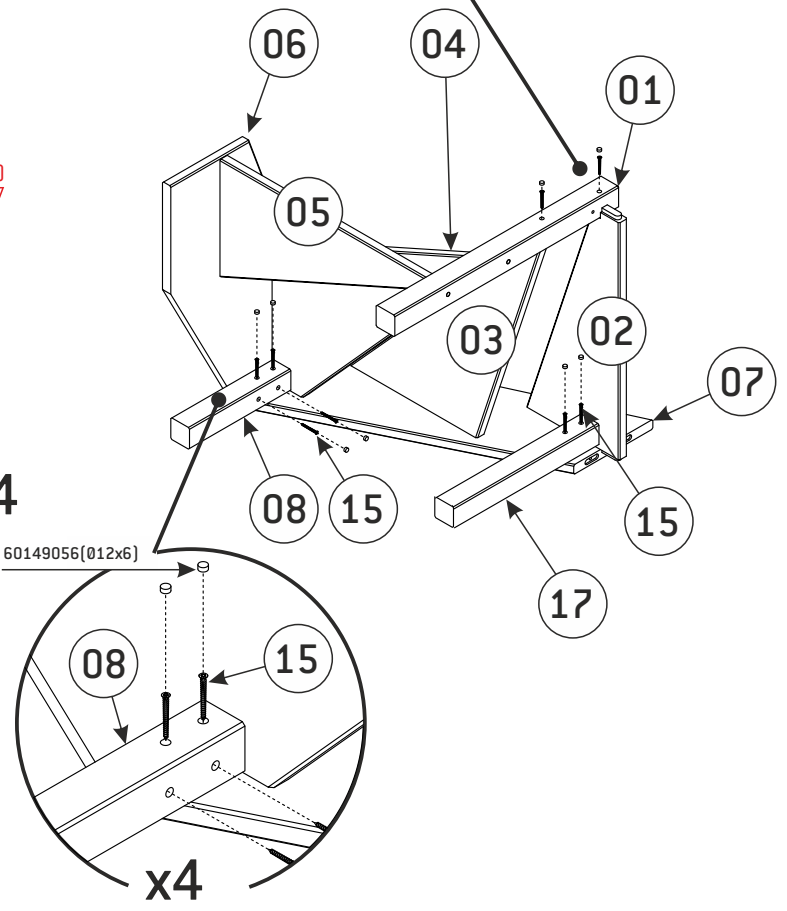
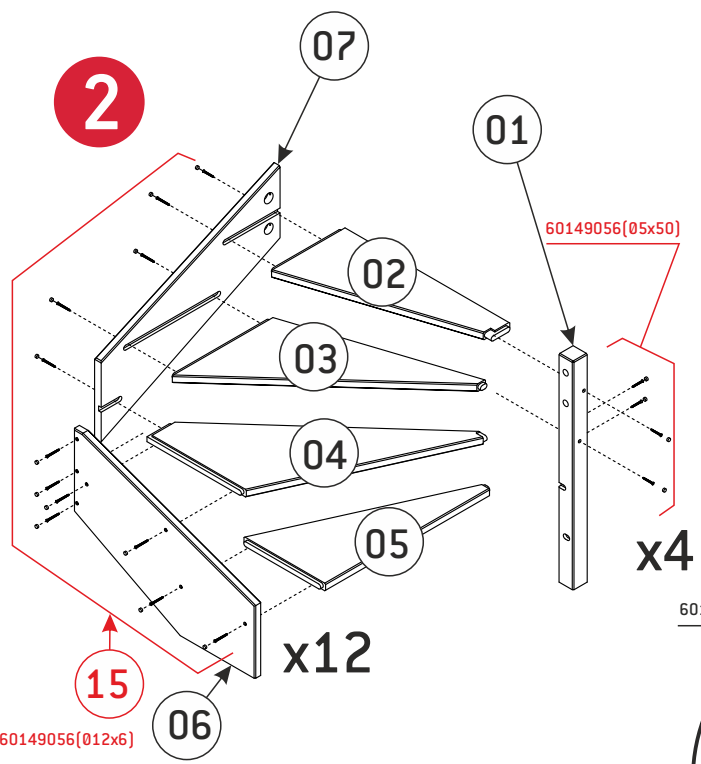
13

**1**

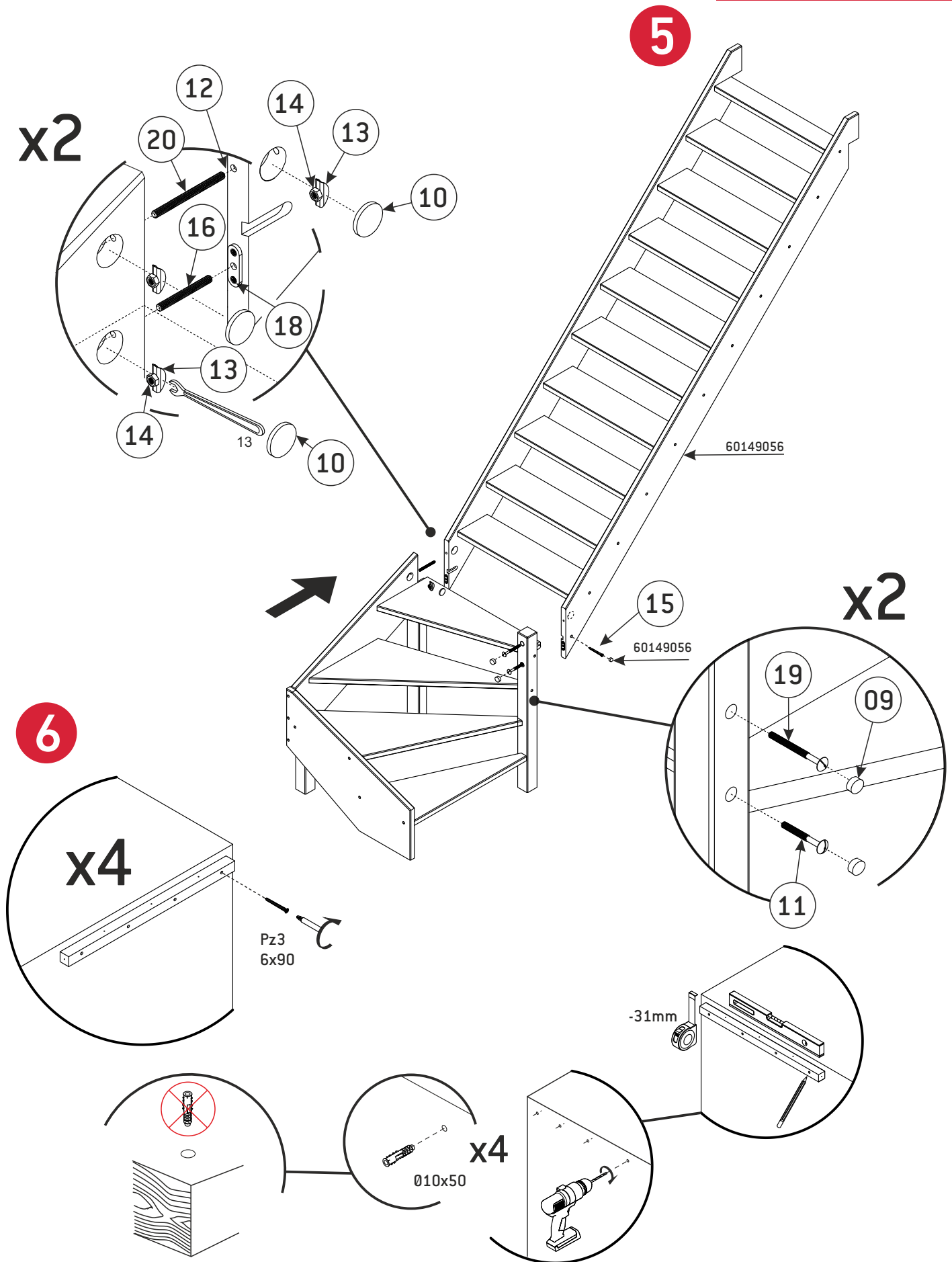


**3**

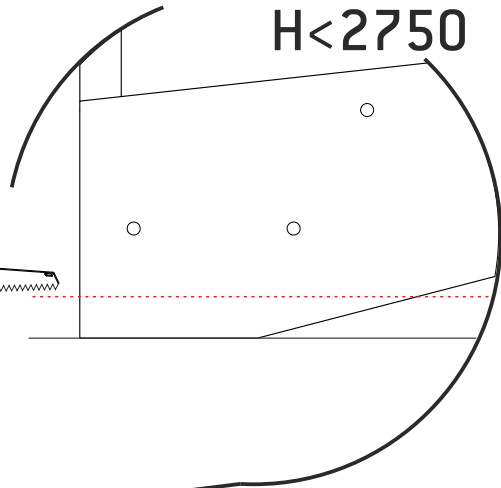
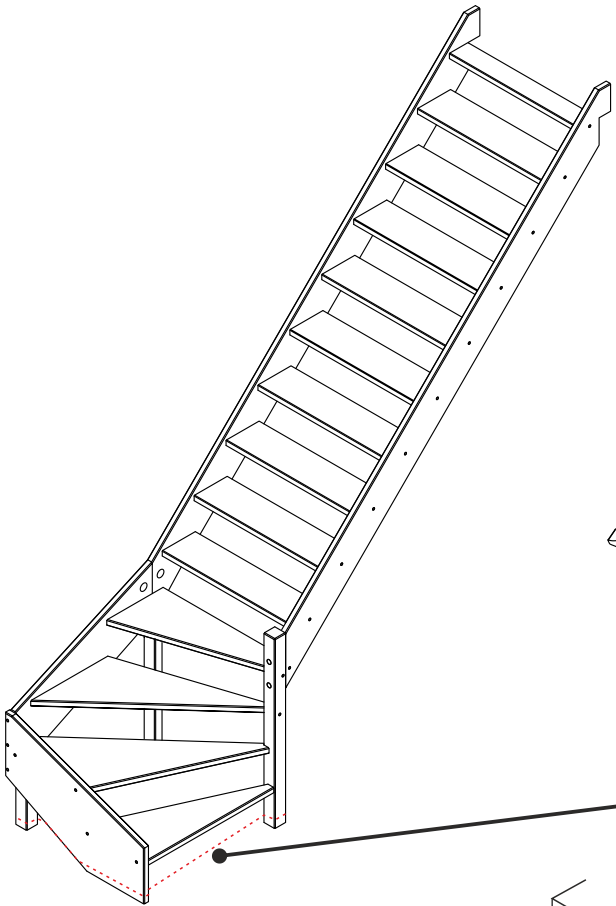
**2**



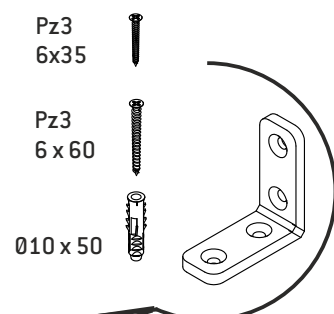
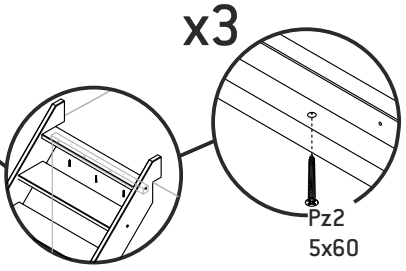
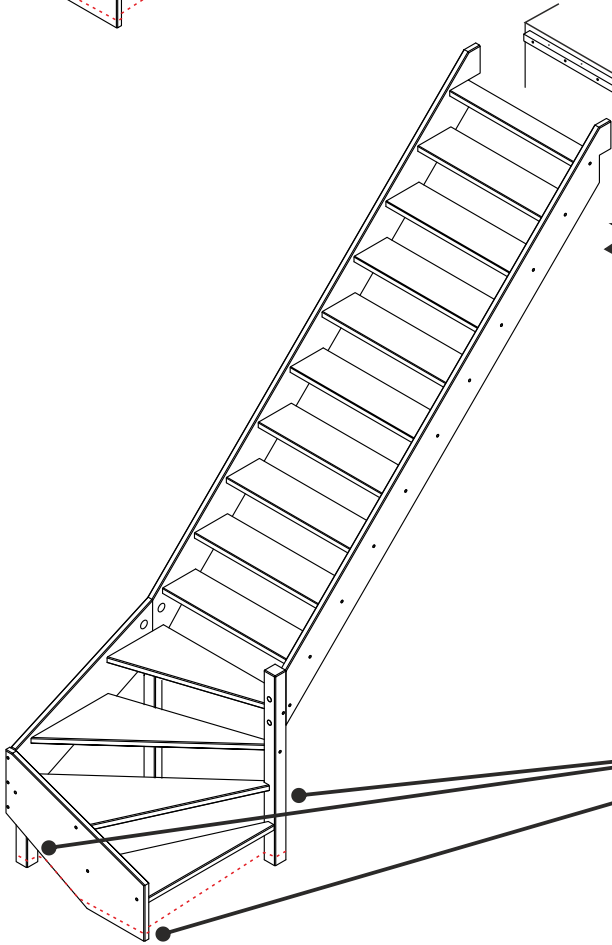


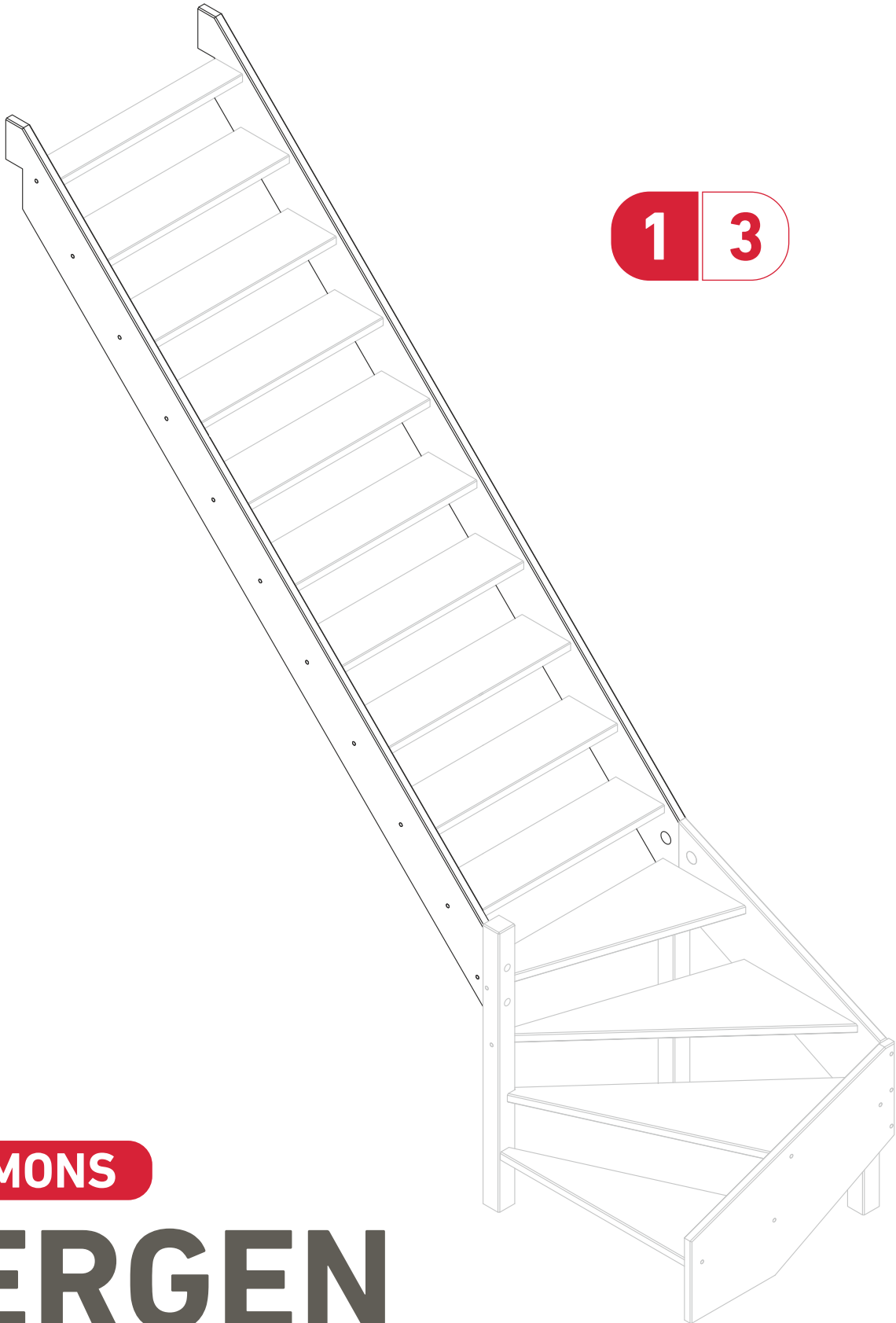


**7**



**8**

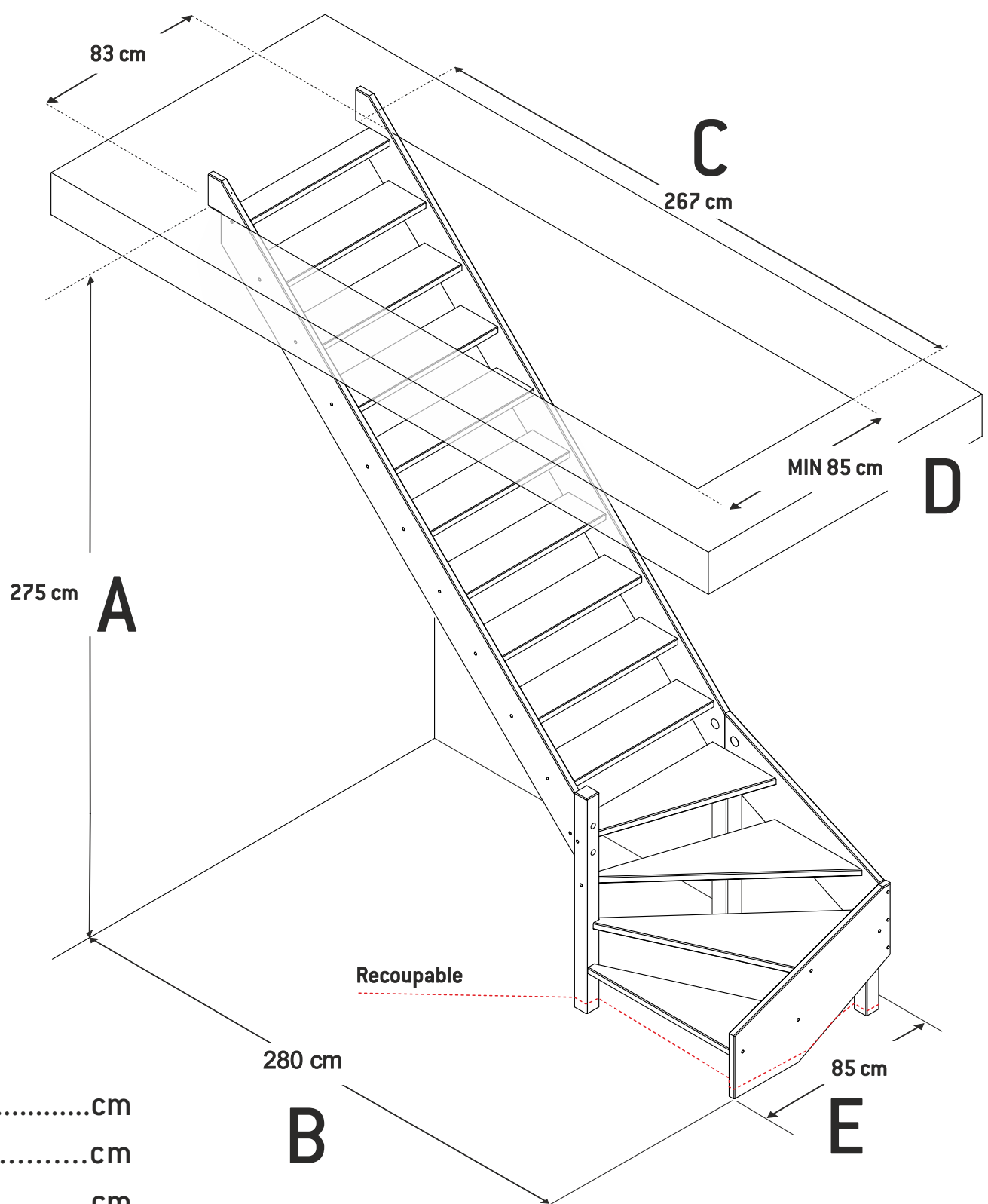




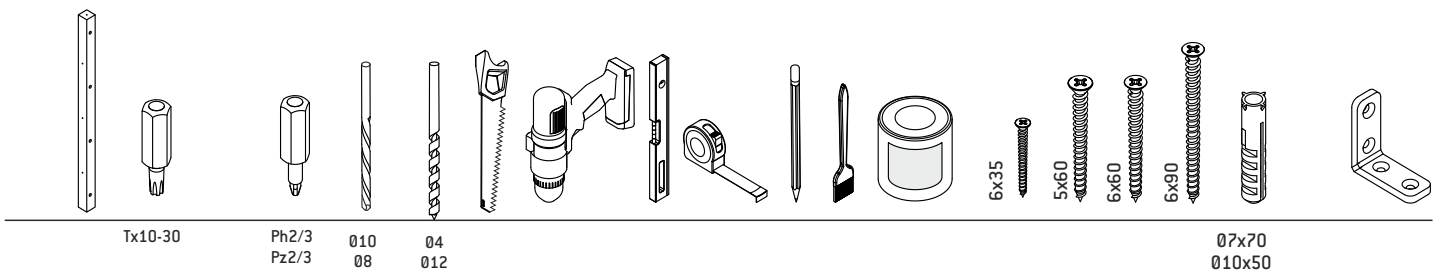
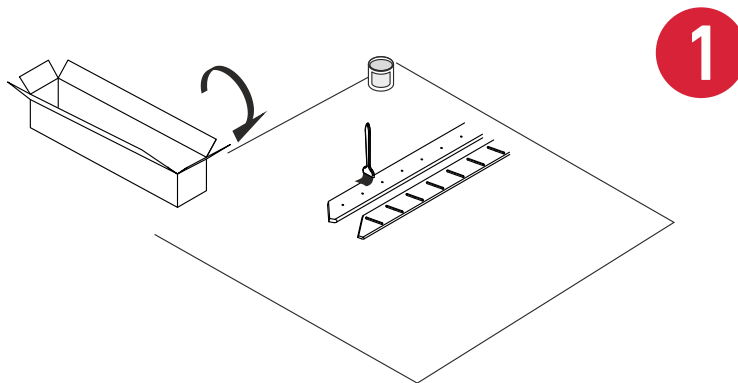
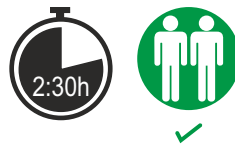
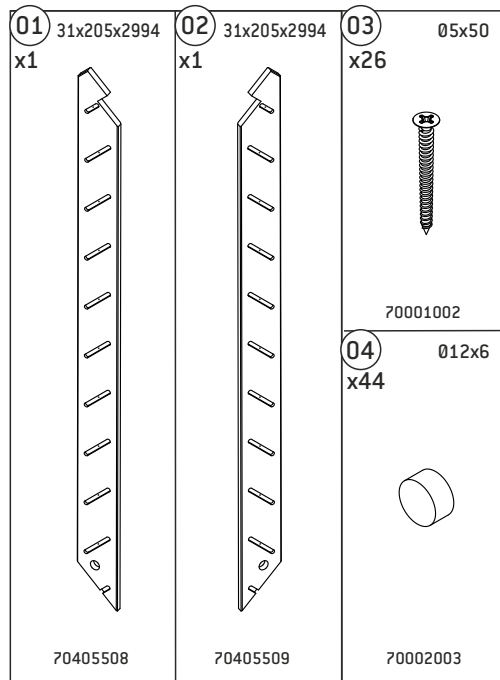
**2 LIMONS**

# BERGEN

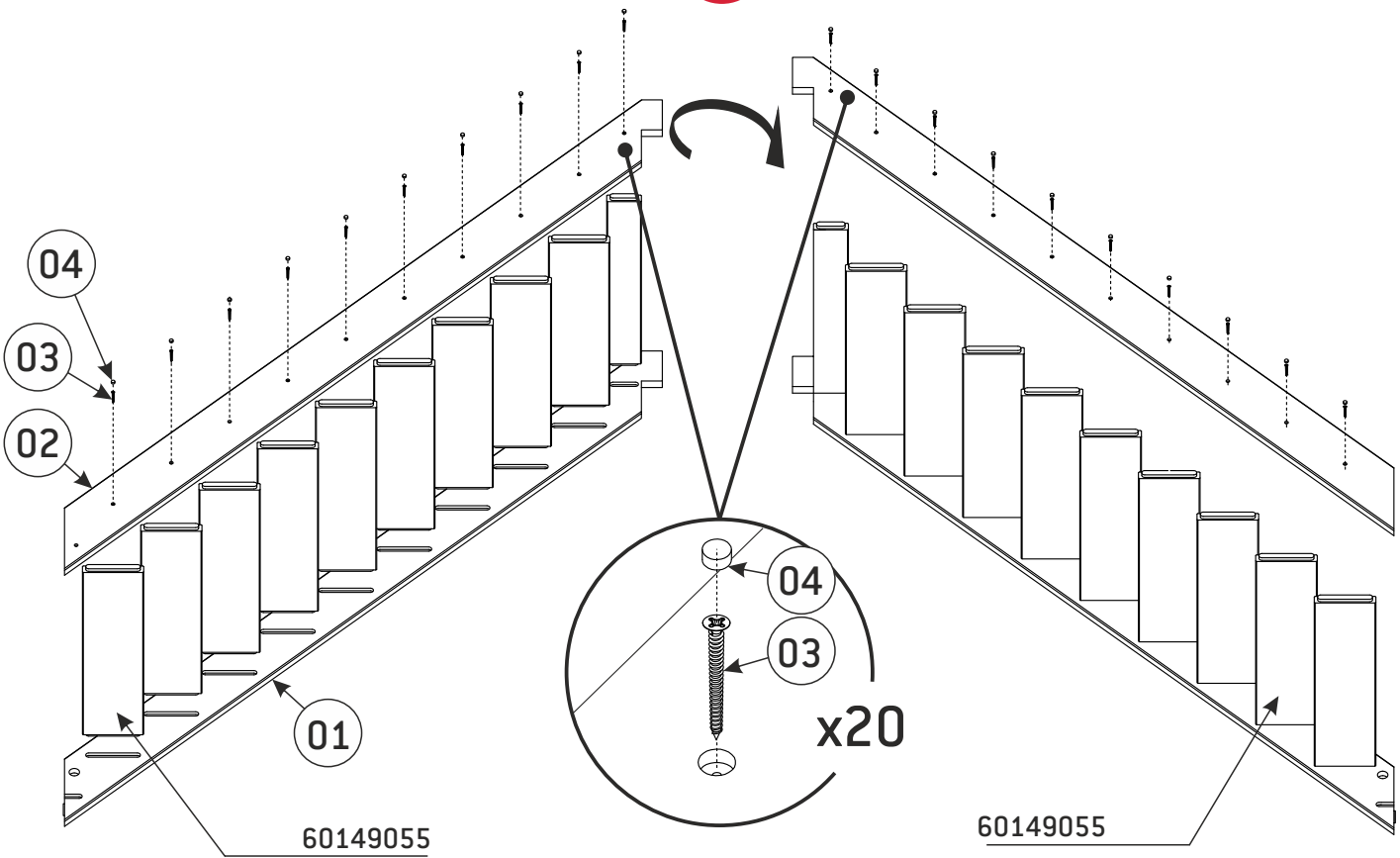
ESCALIER ¼ TOURNANT SANS RAMPE

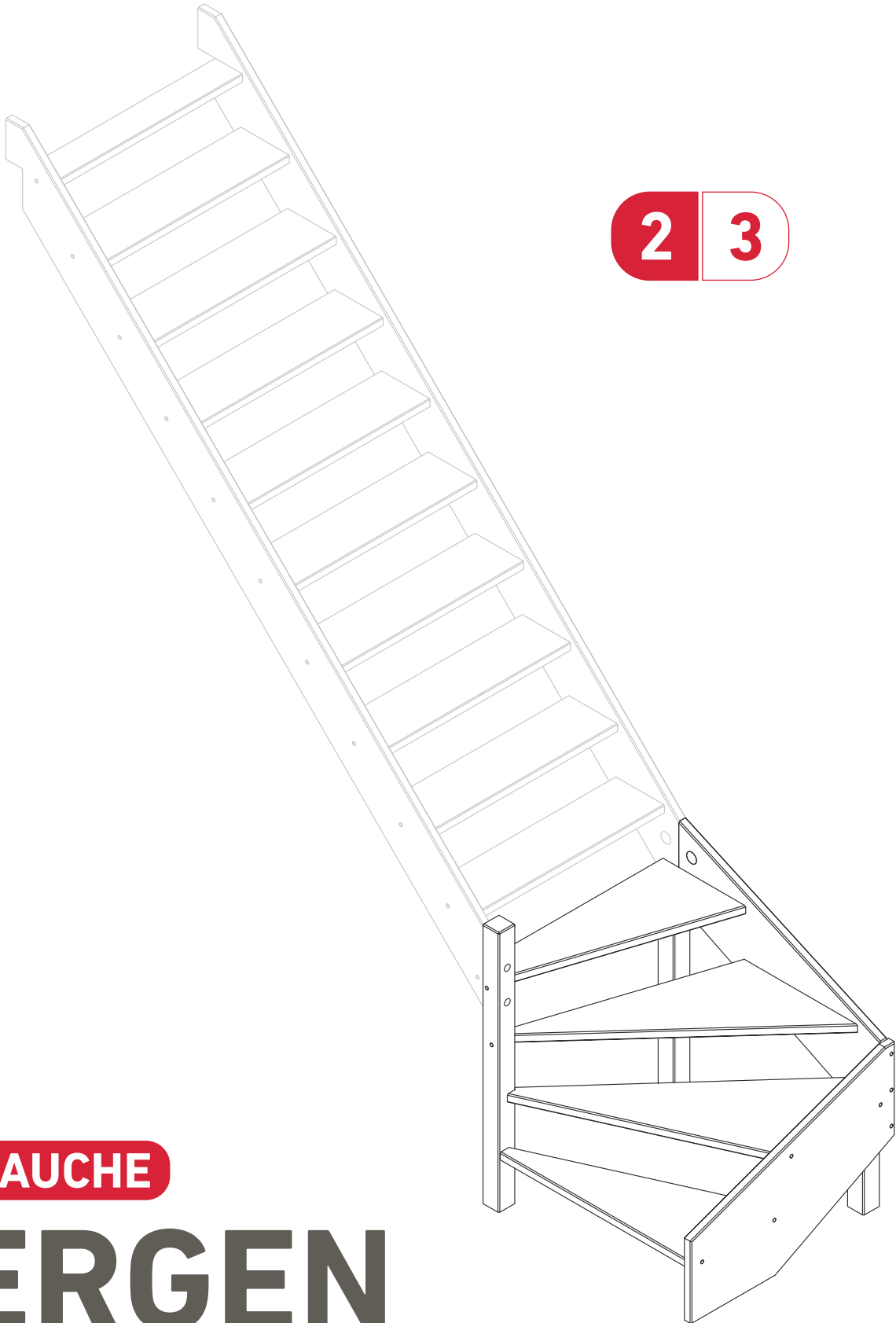


- A .....cm
- B.....cm
- C .....cm
- D .....cm
- E .....cm



**2**

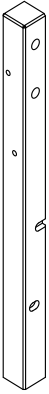


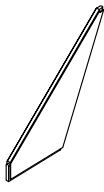
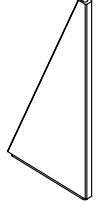




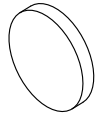

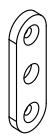


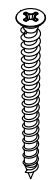



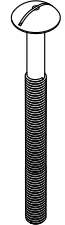





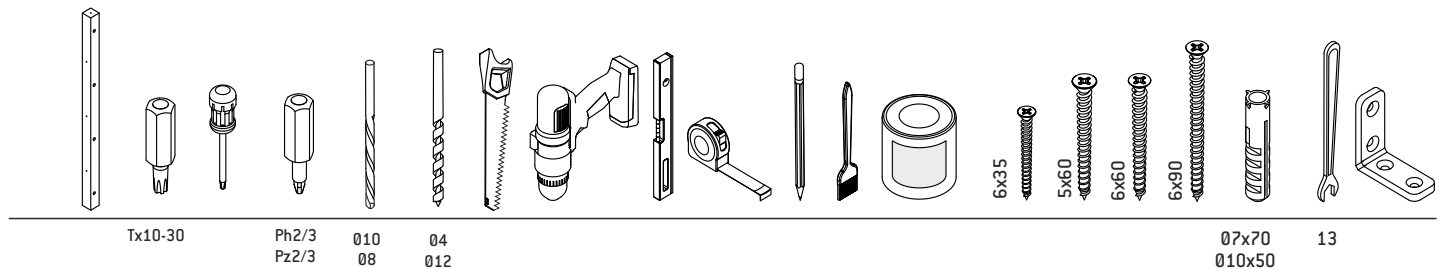


**1/4 T GAUCHE**

# BERGEN

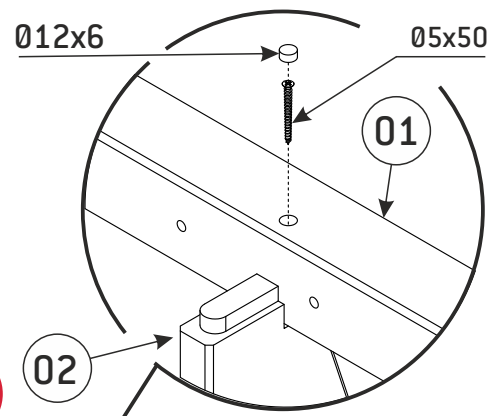
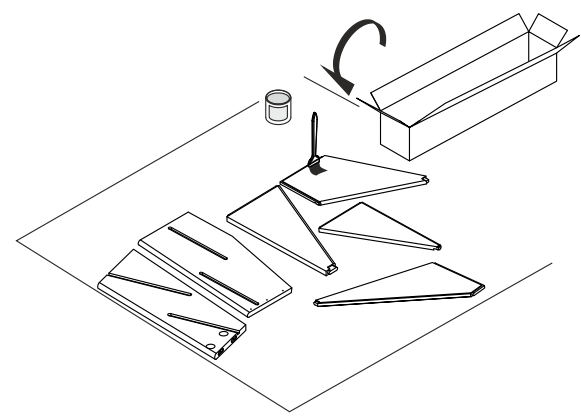
ESCALIER 1/4 TOURNANT GAUCHE SANS RAMPE

<b>01</b> 70x70x965 x1  70405214	<b>02</b> 31x348x792 x1  70405207	<b>03</b> 31x719x773 x1  70405208	<b>04</b> 31x796x799 x1  70405209	<b>05</b> 31x382x792 x1  70405210	<b>06</b> 31x590x849 x1  70405211	<b>07</b> 31x705x838 x1  70405212	<b>08</b> 70x70x379 x1  70405213	<b>09</b> 024x6 x2  70002006		
<b>10</b> 040x6 x2  70002009	<b>11</b> M8x75 x1  70001026	<b>12</b> 4x16x50 x2  70001001	<b>13</b> 15x17x34 x4  70001031	<b>14</b> M8 x4  70001029	<b>15</b> 05x60 x17  70001017	<b>16</b> 08x80 x1  70001032	<b>17</b> 70x70x769 x1  70405226			
<b>18</b> 04x35 x4  70001015	<b>19</b> M8x110 x1 	<b>20</b> 08x110 x1 	 							

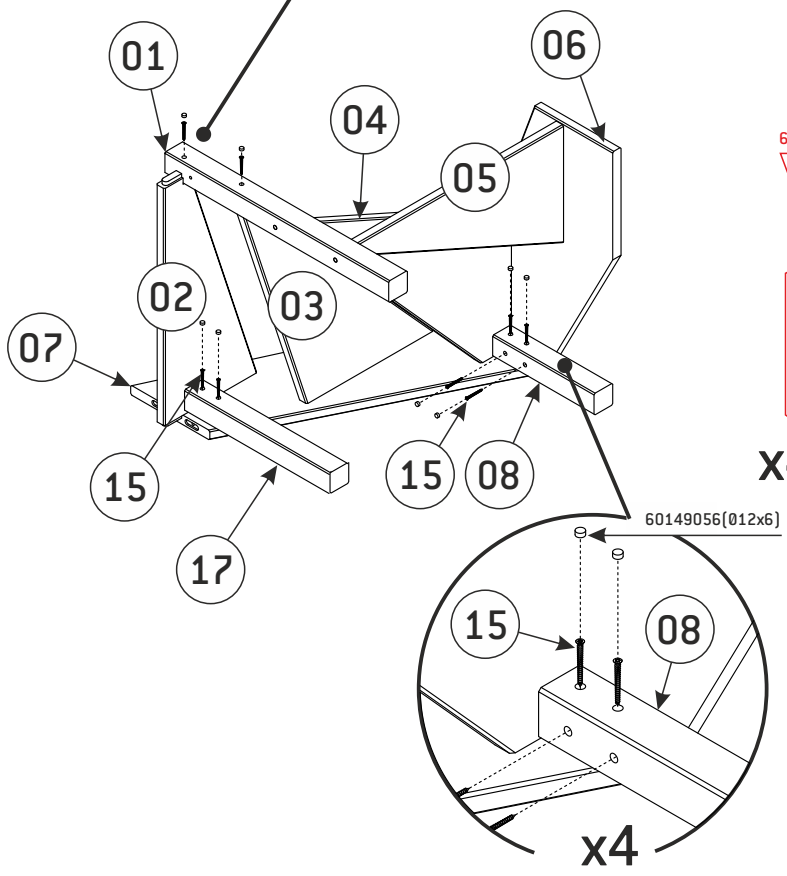
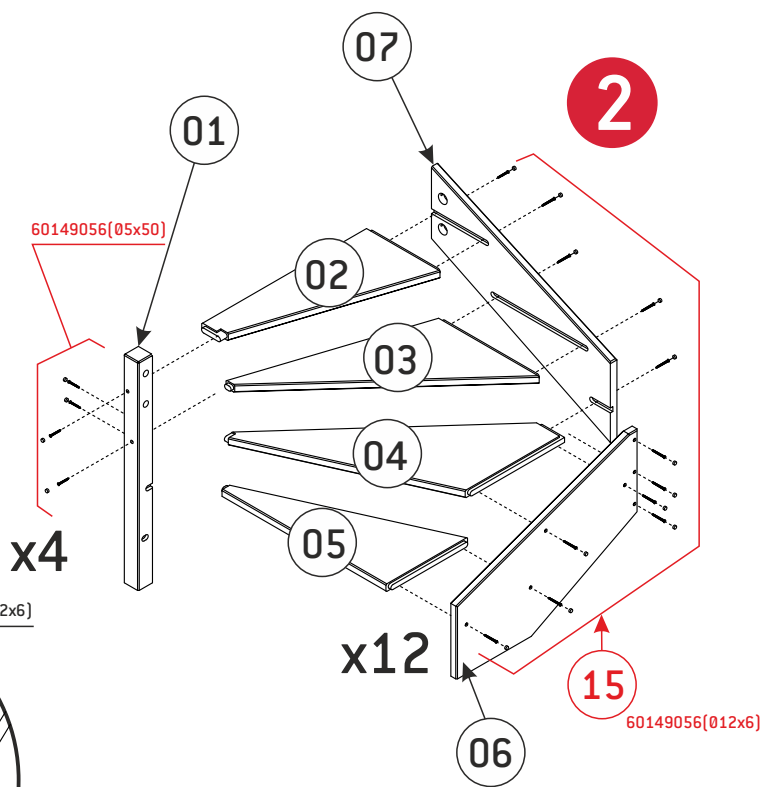




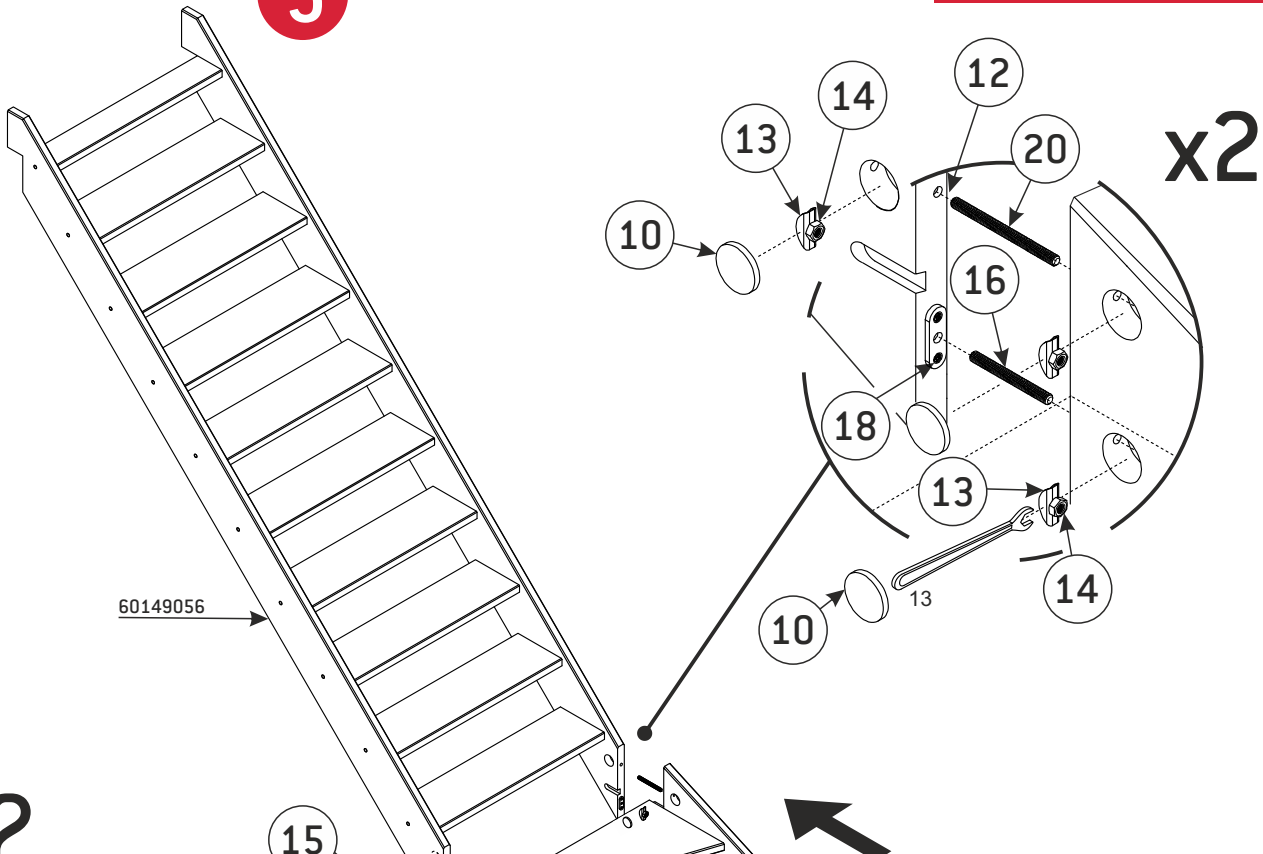
**1**



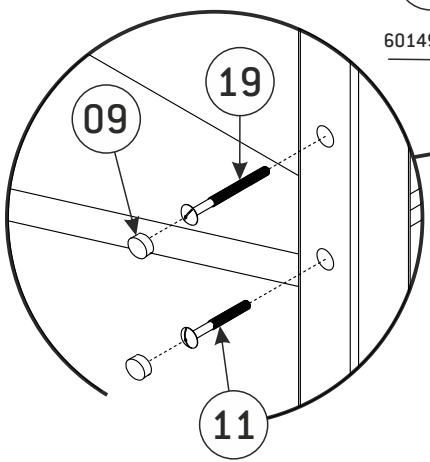
**2**



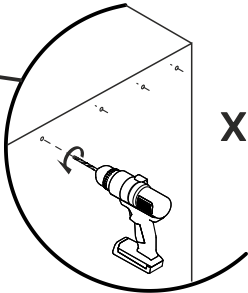
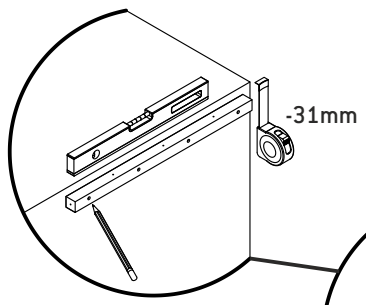
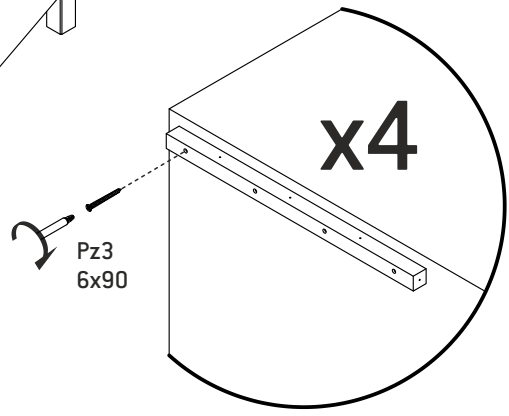
**5**



**x2**

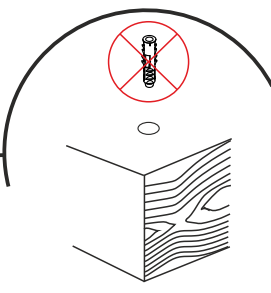


**6**



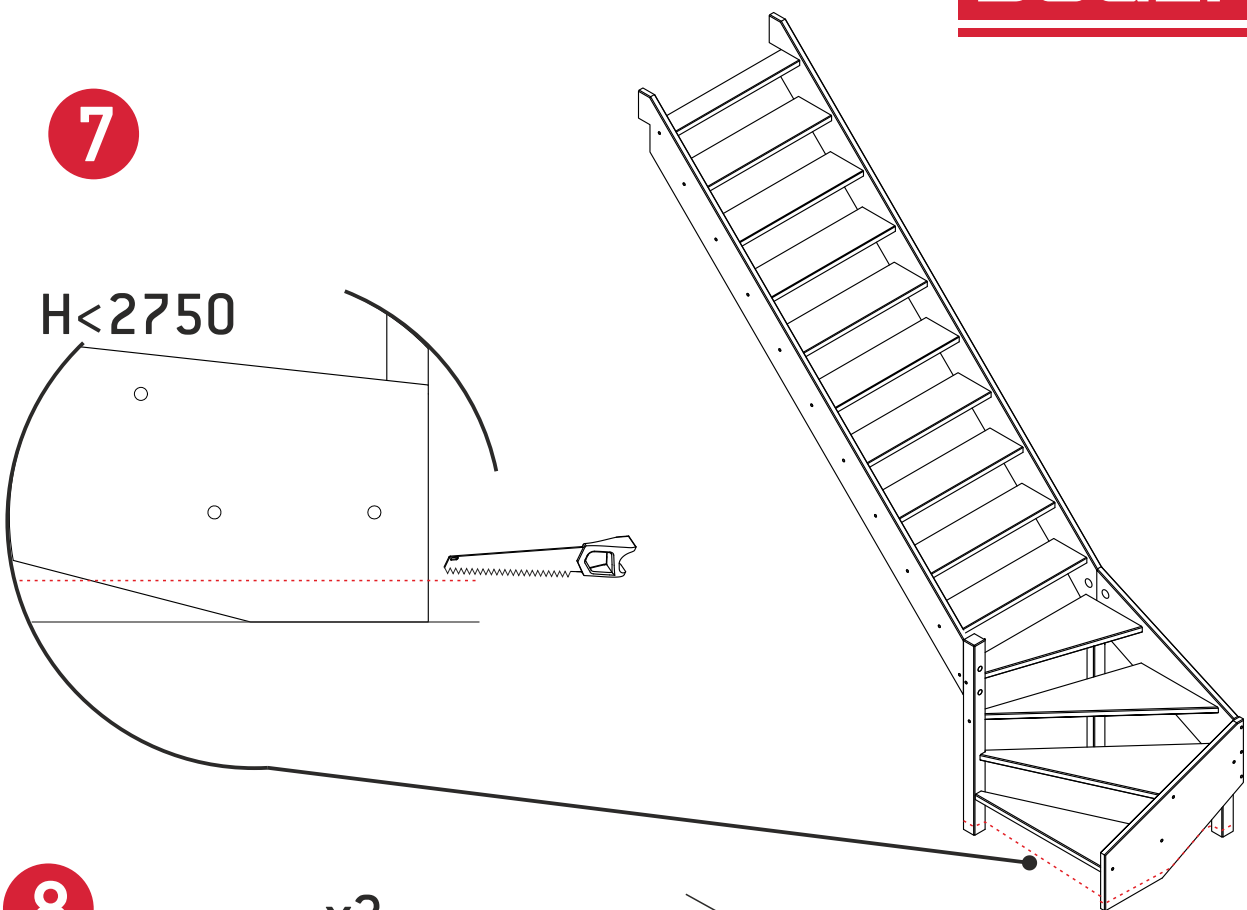
**x4**

Ø10x50

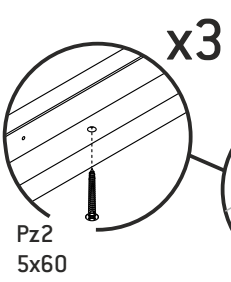


**7**

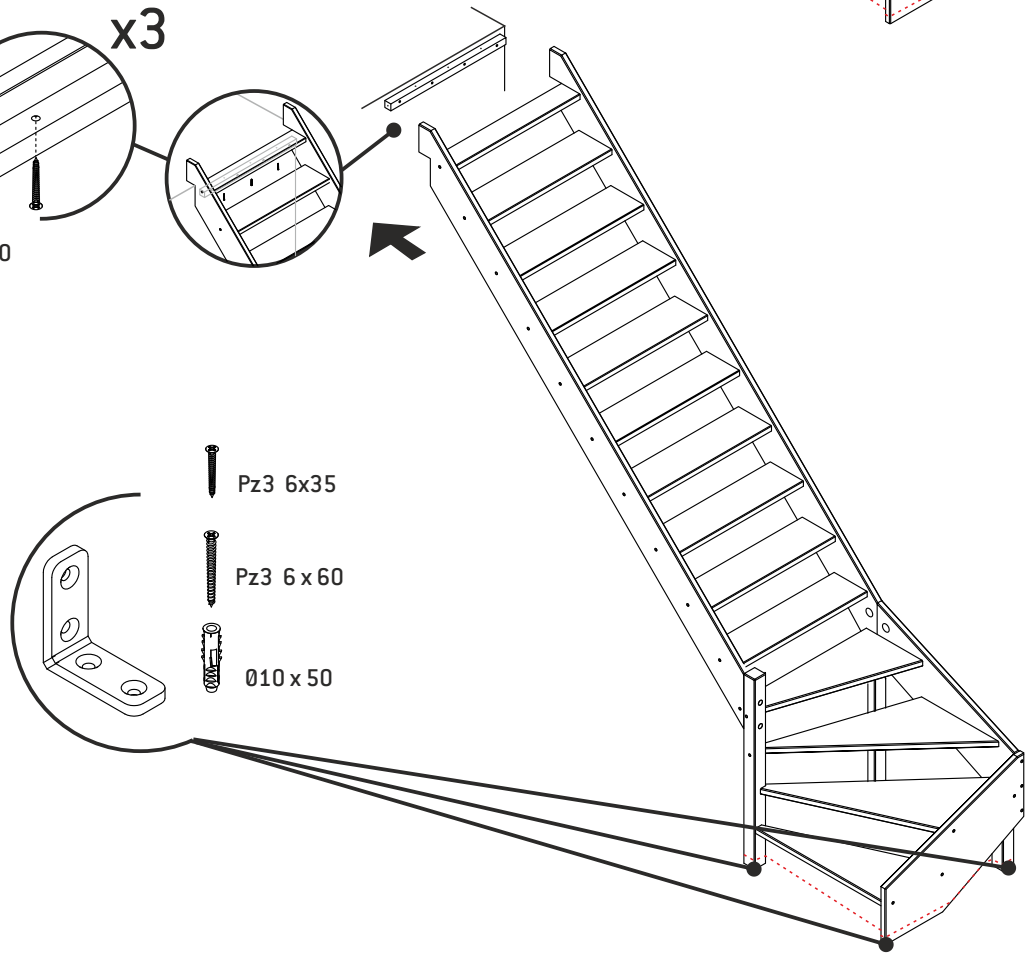
H < 2750






**8**



Pz2  
5x60



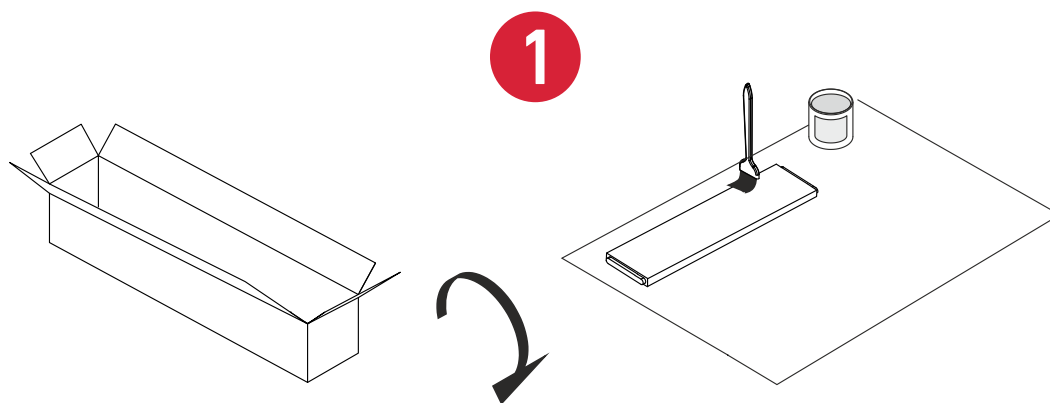
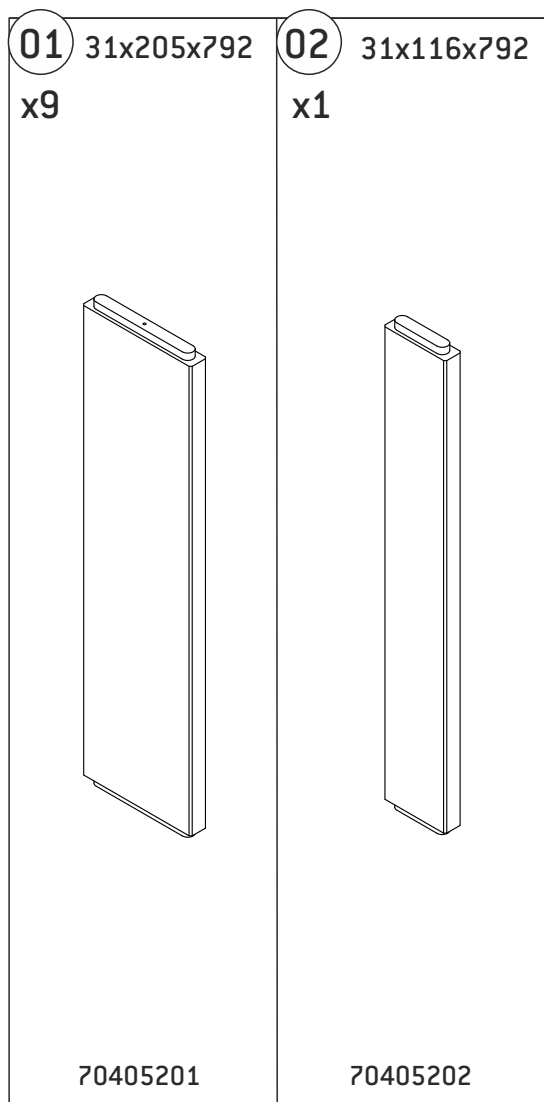
-  Pz3 6x35
-  Pz3 6x60
-  Ø10 x 50

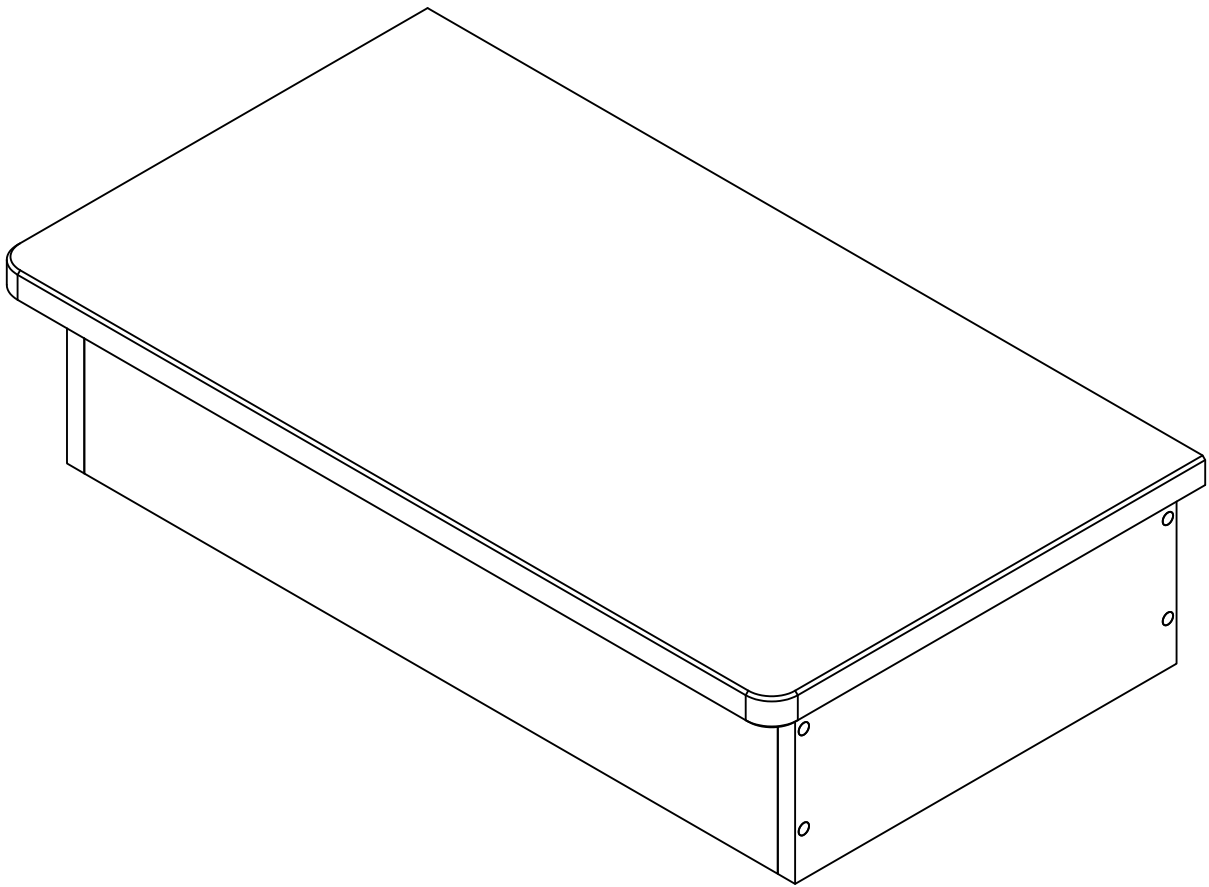


**10 MARCHES**

# BERGEN



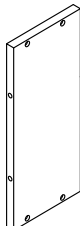
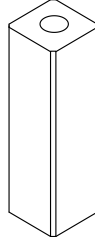



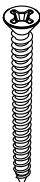


ESCALIER ¼ TOURNANT

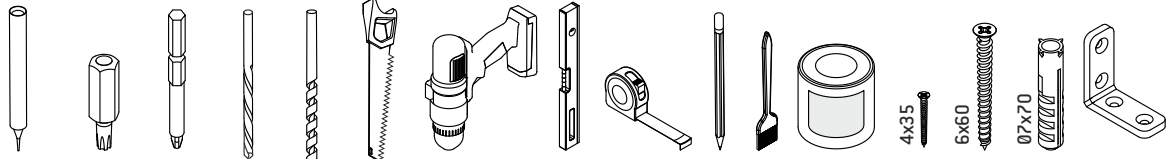




# BERGEN

SOCLE DE DÉPART

<p>01 x1</p> <p>31x500x900</p>  <p>70405222</p>	<p>02 x2</p> <p>31x189x800</p>  <p>70405223</p>	<p>03 x2</p> <p>31x189x440</p>  <p>70405224</p>	<p>04 x2</p> <p>70x70x220</p>  <p>70405225</p>	<p>05 x2</p> <p>Ø20x55</p>  <p>70002014</p>	<p>06 x8</p> <p>Ø10x50</p>  <p>70002013</p>	<p>07 x8</p> <p>Ø12x6</p>  <p>70002003</p>
<p>08 x8</p> <p>Ø5x50</p>  <p>70001002</p>				 		

- 
- silicone/  
la colle à bois
- Tx10-30
- Ph2/3  
Pz2/3
- Ø10  
Ø8
- Ø4  
Ø12

