

## SSS/MSL

MK04  
MK06  
MK08  
MK10  
MK12  
MK27

PK04  
PK06  
PK08  
PK10  
PK25

SK01  
SK04  
SK06  
SK08  
SK10

UK04  
UK08  
UK10

CK01  
CK02  
CK04  
CK06

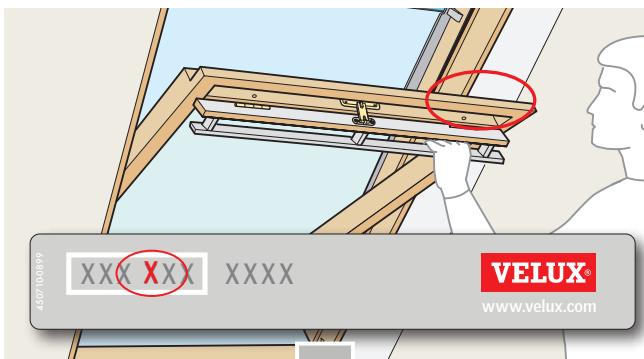
FK04  
FK06  
FK08



1



ZOZ 246

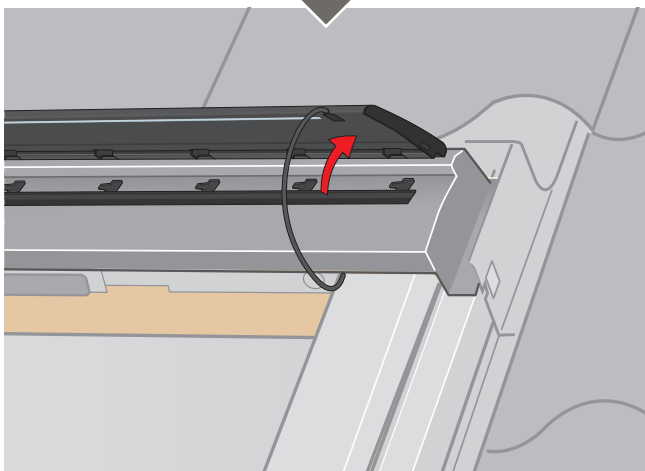
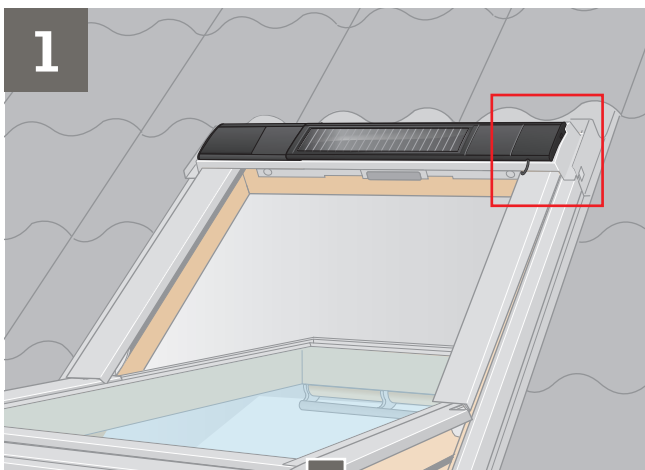


A-Z

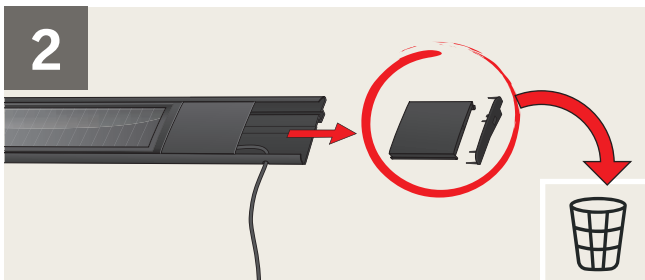


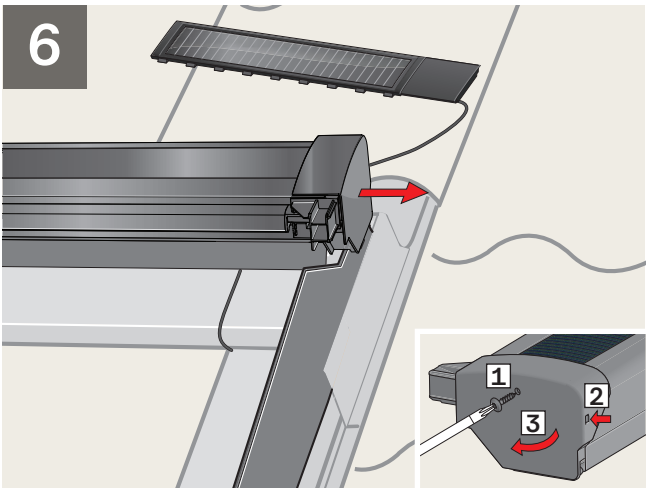
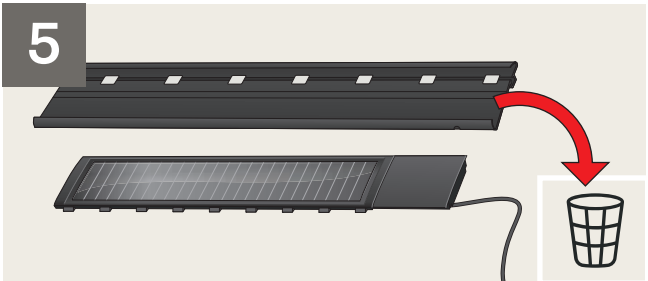
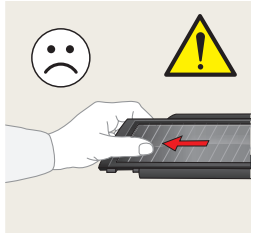
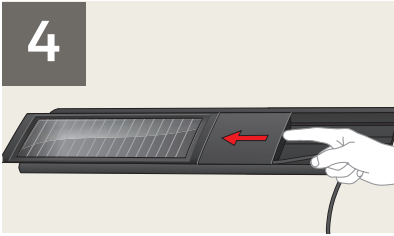
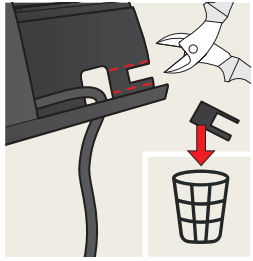
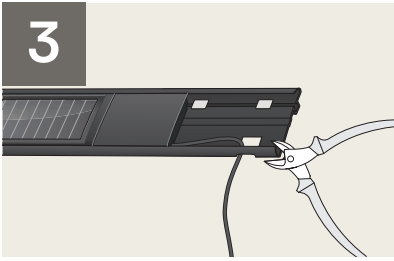
ZOZ 246

1

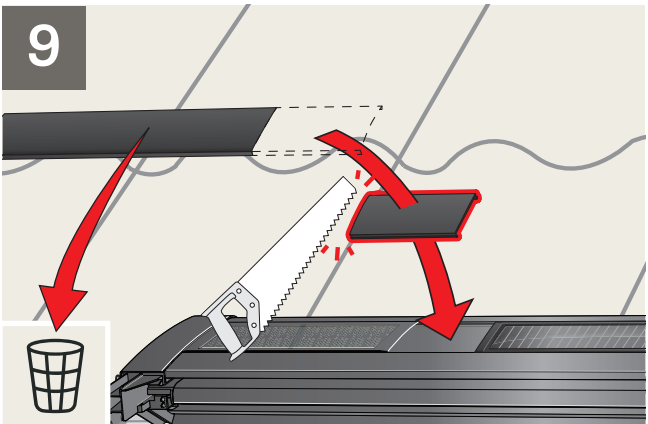
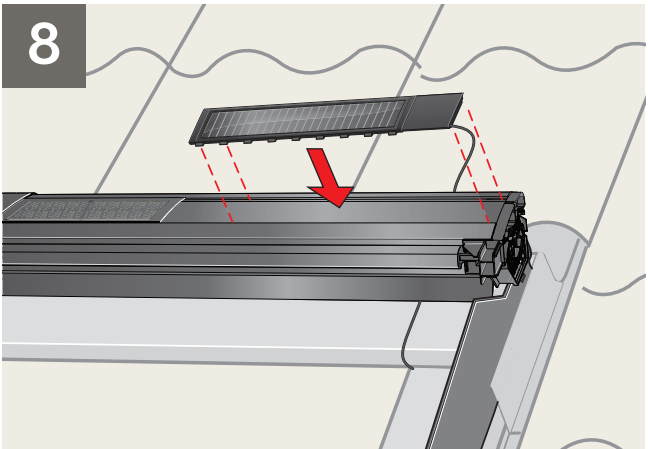
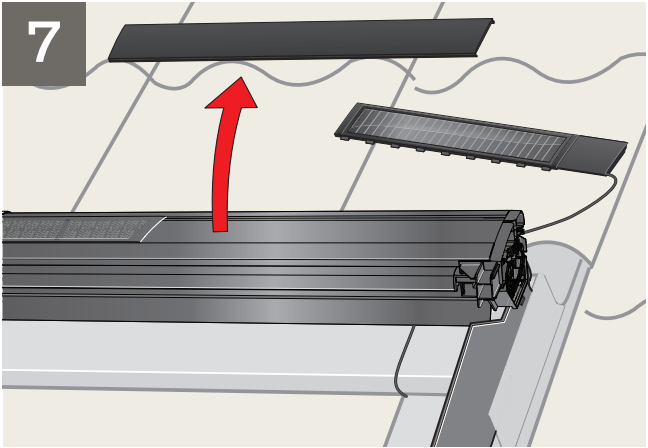


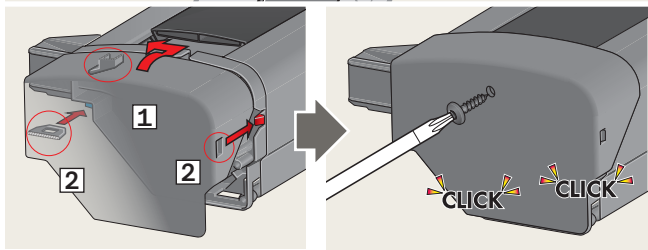
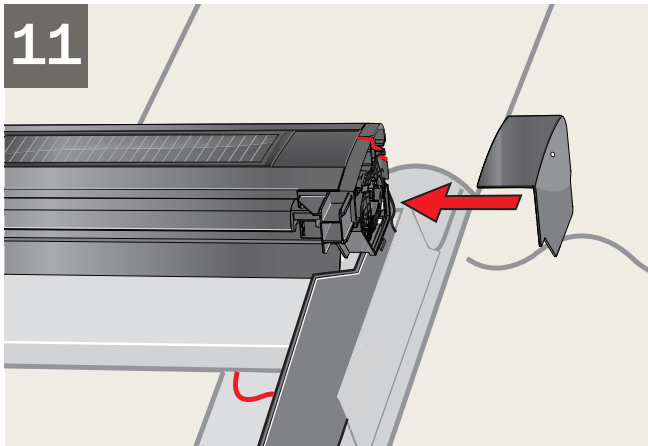
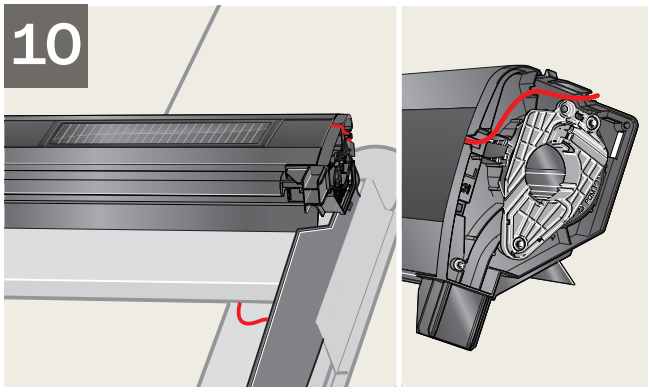
2





SUPPLEMENTARY INSTRUCTION. FOR SSS/MSL INTEGRA. © 2015, 2024, VELUX GROUP ©VELUX, THE VELUX LOGO ARE REGISTERED TRADEMARKS USED UNDER LICENCE BY THE VELUX GROUP





[www.velux.com/electricalsupport](http://www.velux.com/electricalsupport)

# SSS/MSL



**VELUX®**



VAS 454704-2024-09