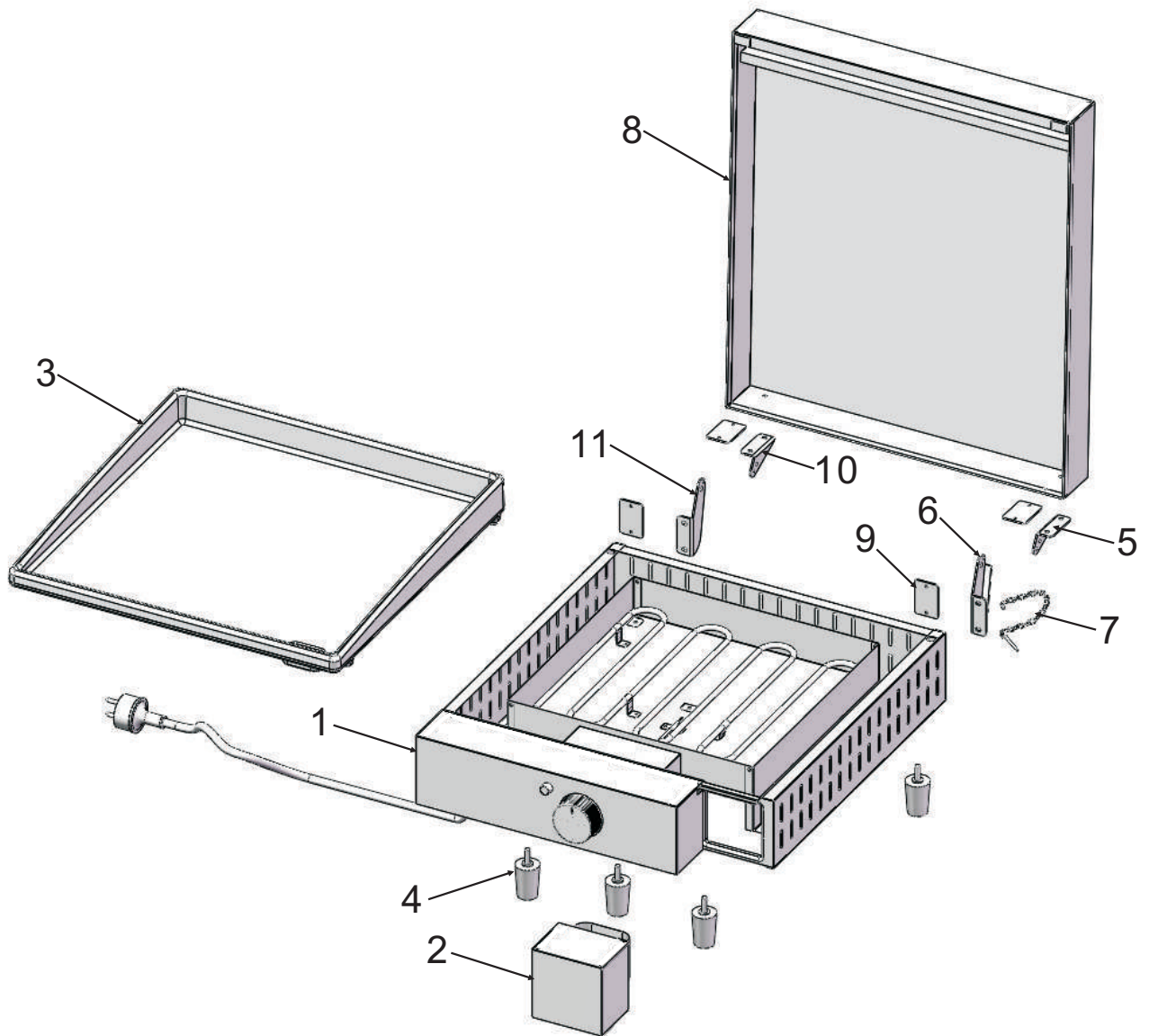
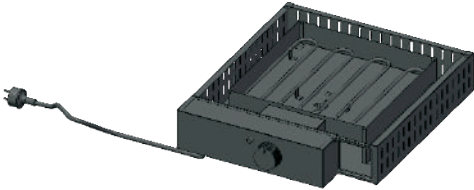






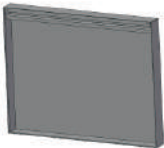




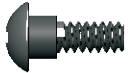
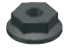


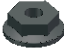
PH2






NO.	DESCRIPTION	QTY
1		1
2		1
3		1
4		4
5		1
6		1
7		1
8		1
9		4
10		1
11		1

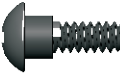
NO.	DESCRIPTION	SPEC	QTY
A		M4x10	8PCS
B		M4	2PCS
C		M4	2PCS




C(2pcs)



A(8pcs)

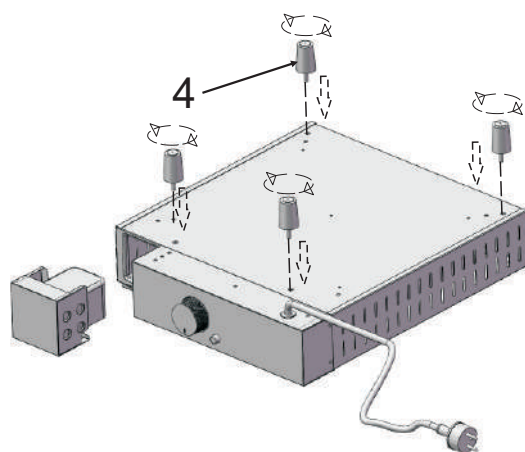
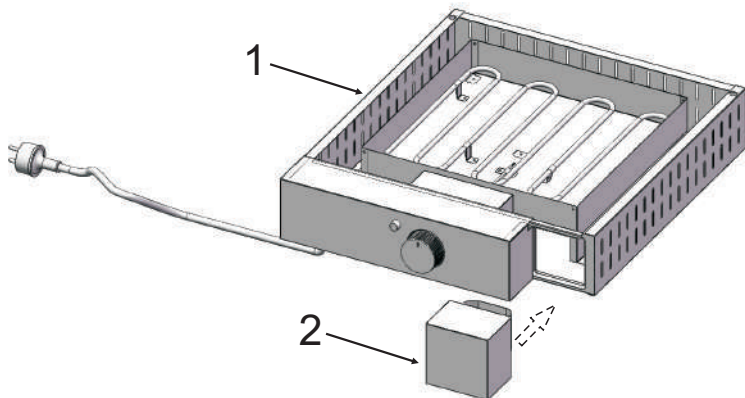
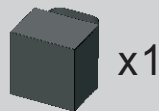


B(2pcs)

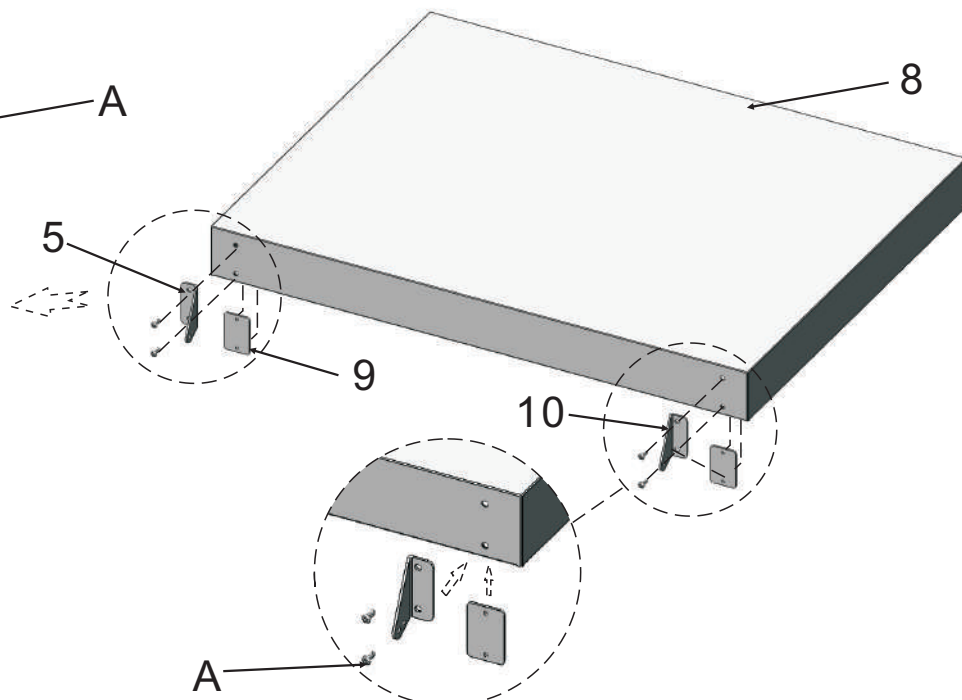
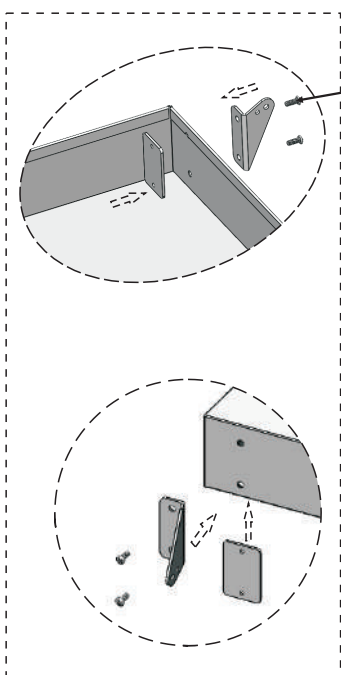
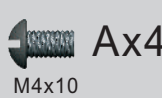
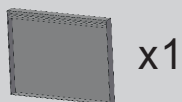


7 (1pcs)

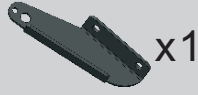
1



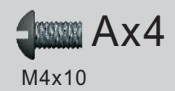
2



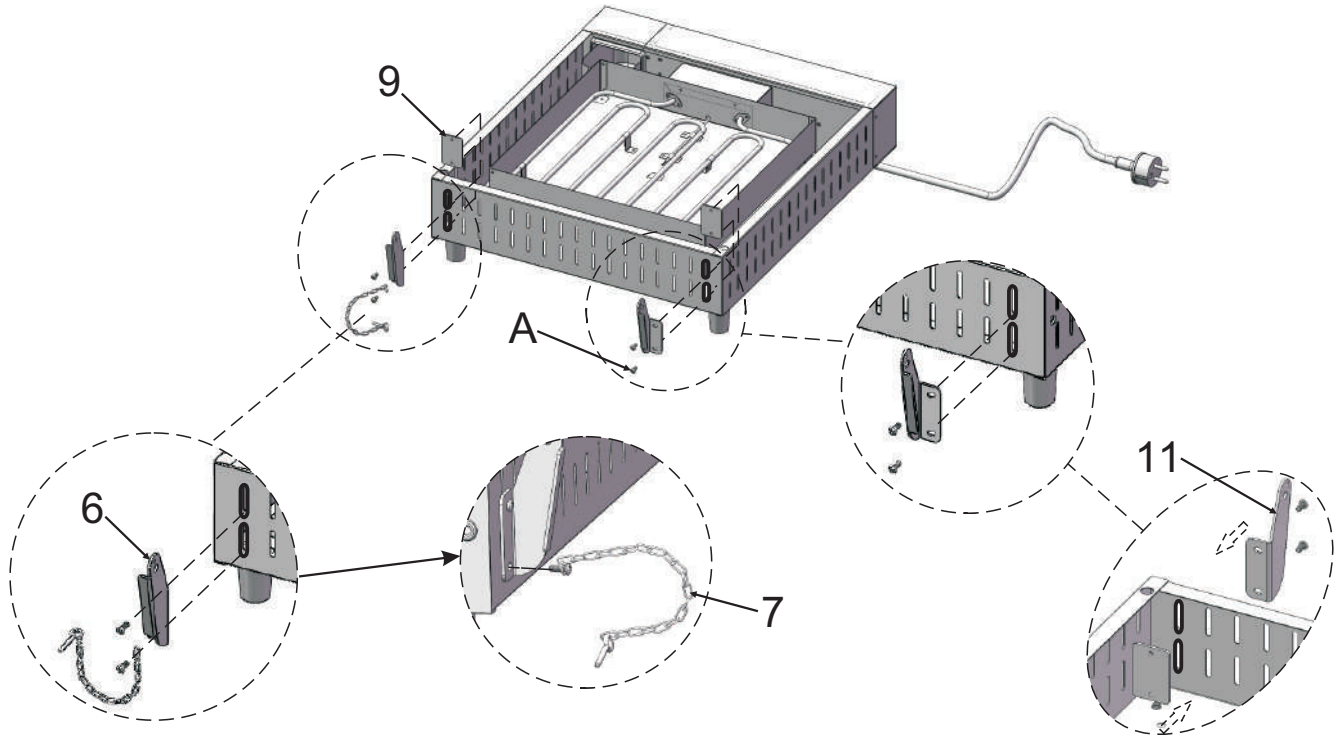
3



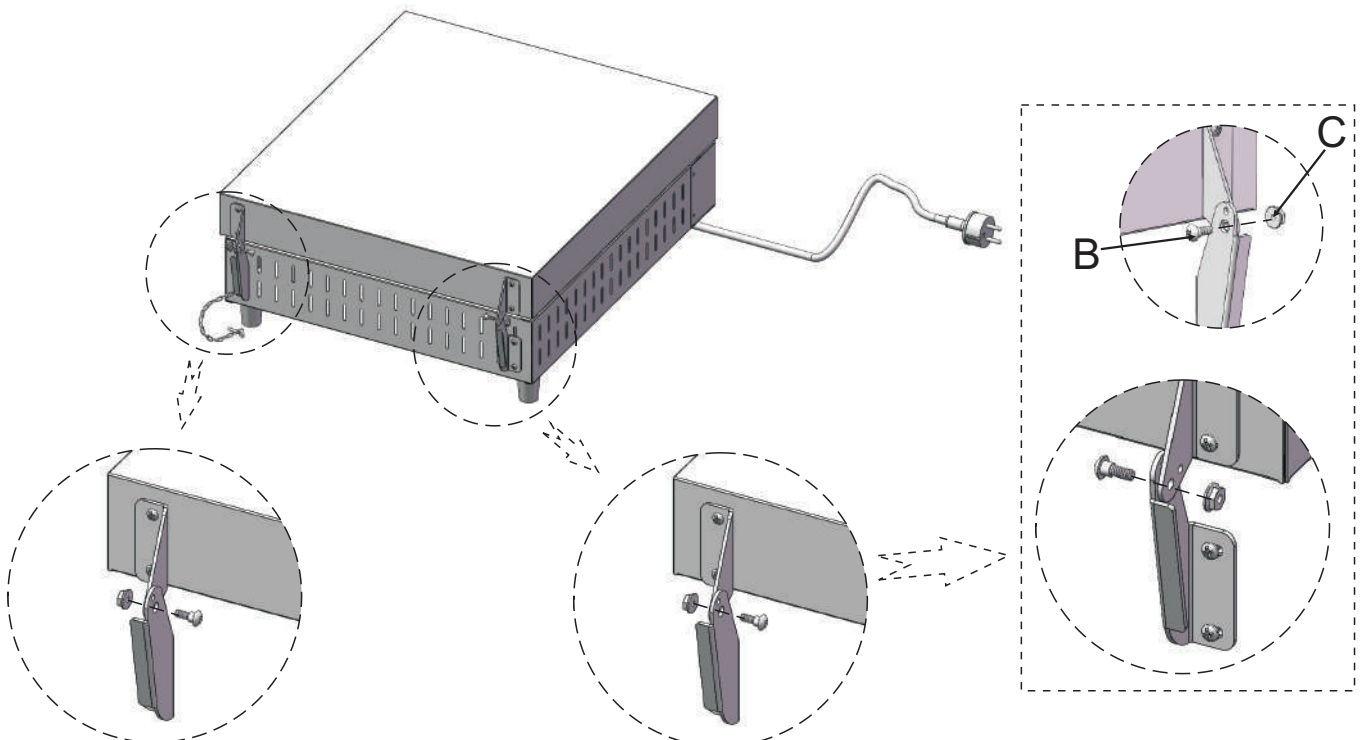
x2



M4x10



4



5

