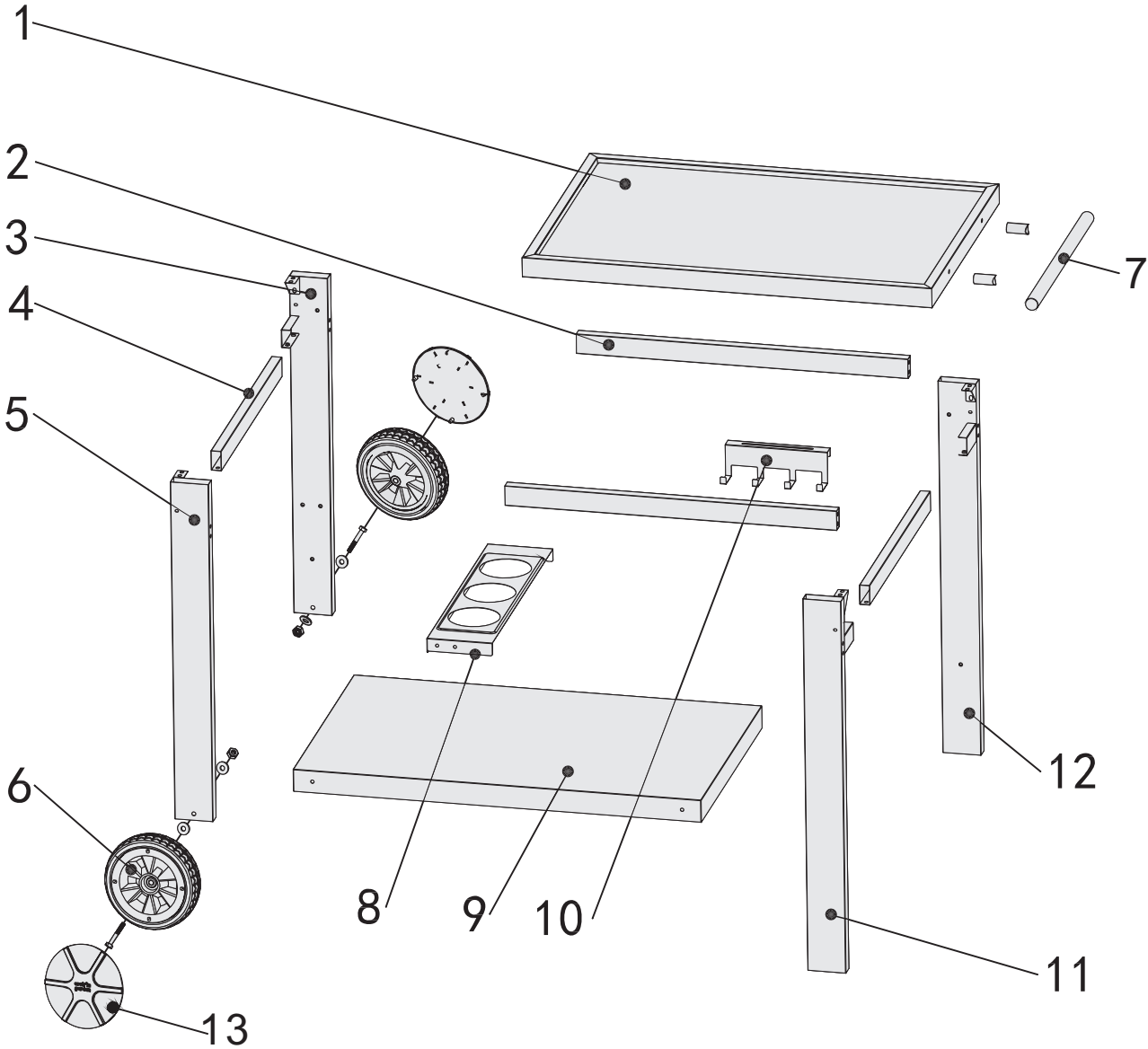
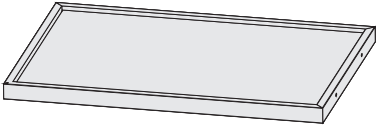
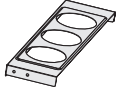

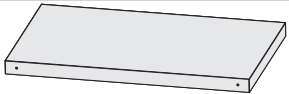

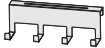
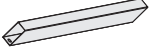





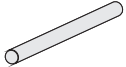

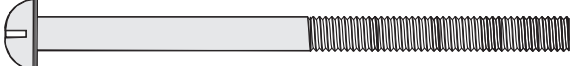







PH2

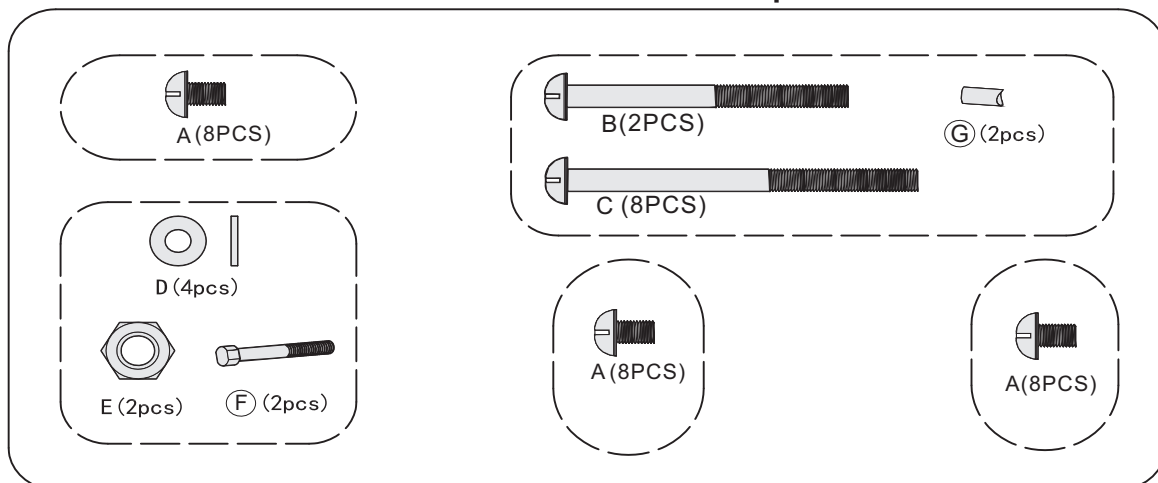




NO.	DESCRIPTION	QTY	NO.	DESCRIPTION	QTY
1		1	8		1
2		2	9		1
3		1	10		1
4		2	11		1
5		1	12		1
6		2	13		2
7		1			

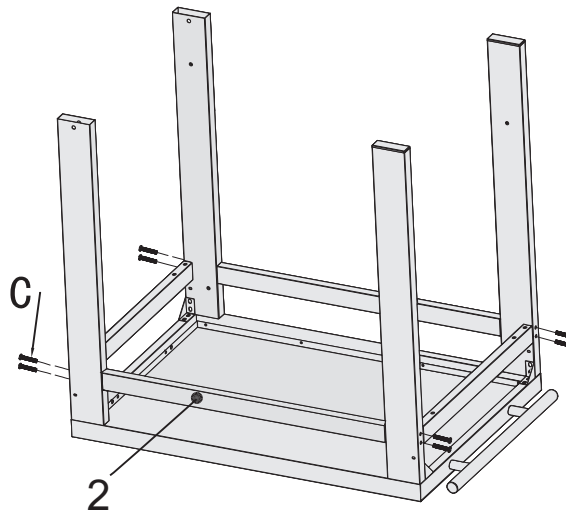
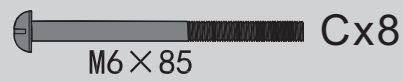
NO.	DESCRIPTION	SPEC	QTY
A		M6 × 10	24
B		M6 × 70	2
C		M6 × 85	8
D		M8	4
E		M8	2
F			2
G			2

View of blister pack

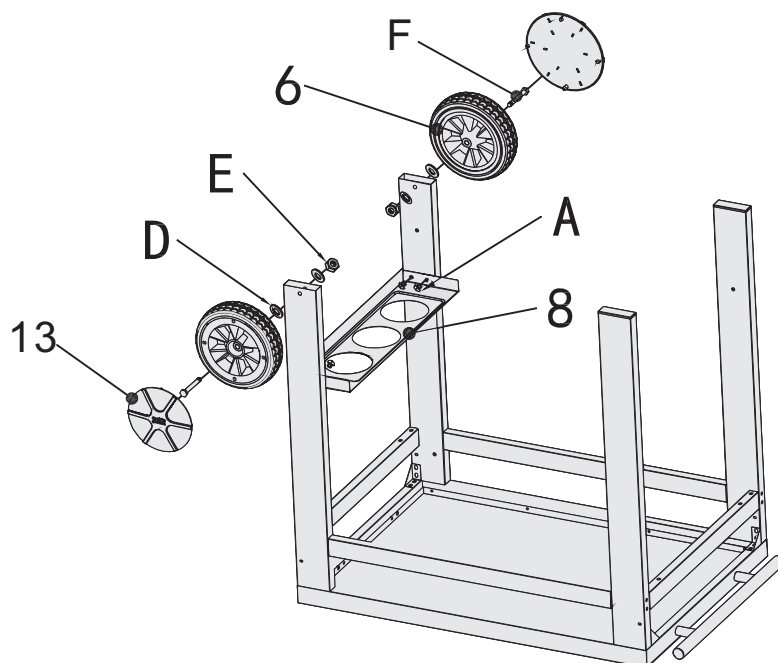
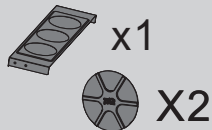




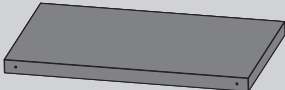
3



4

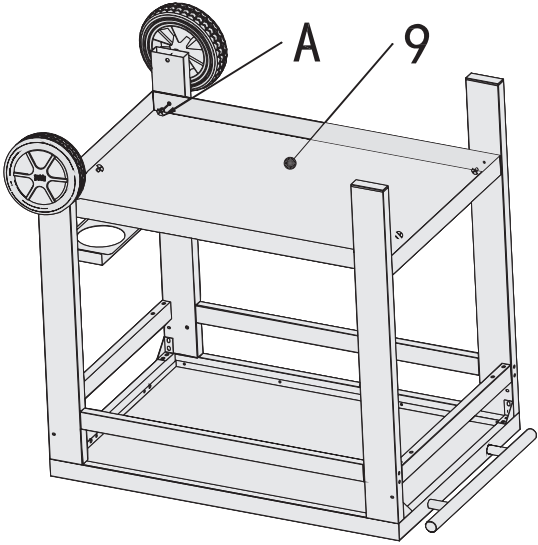


5

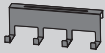


X1

Ax4  
M6x10



6



X1

