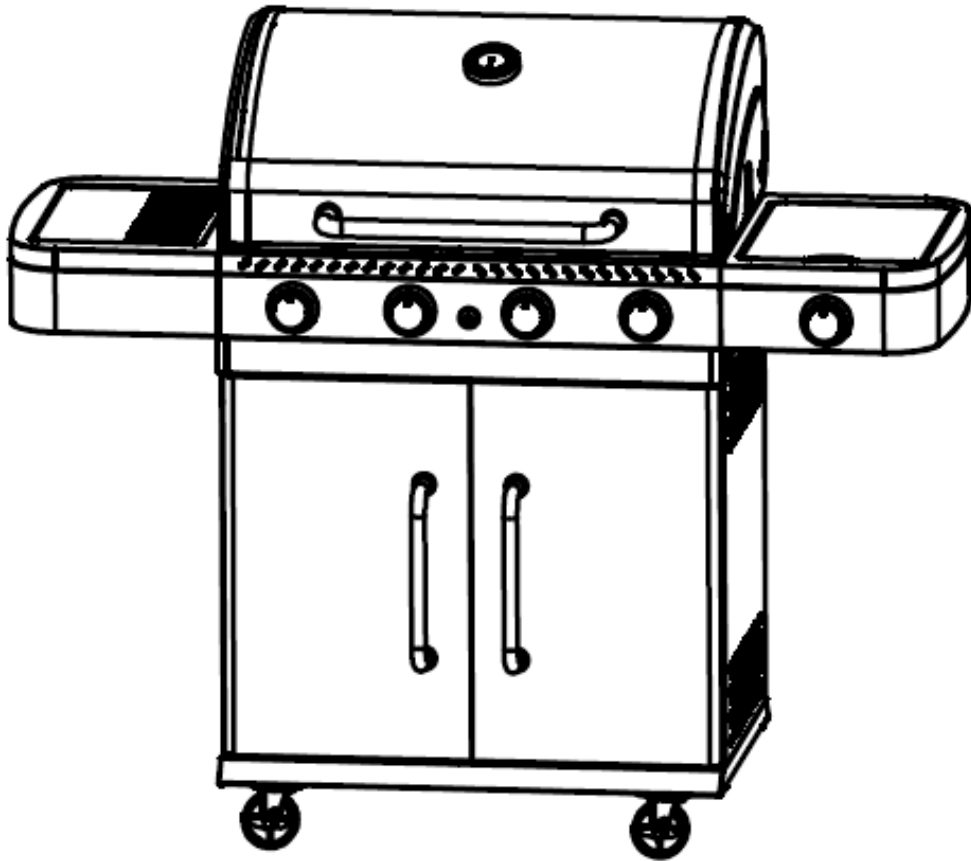
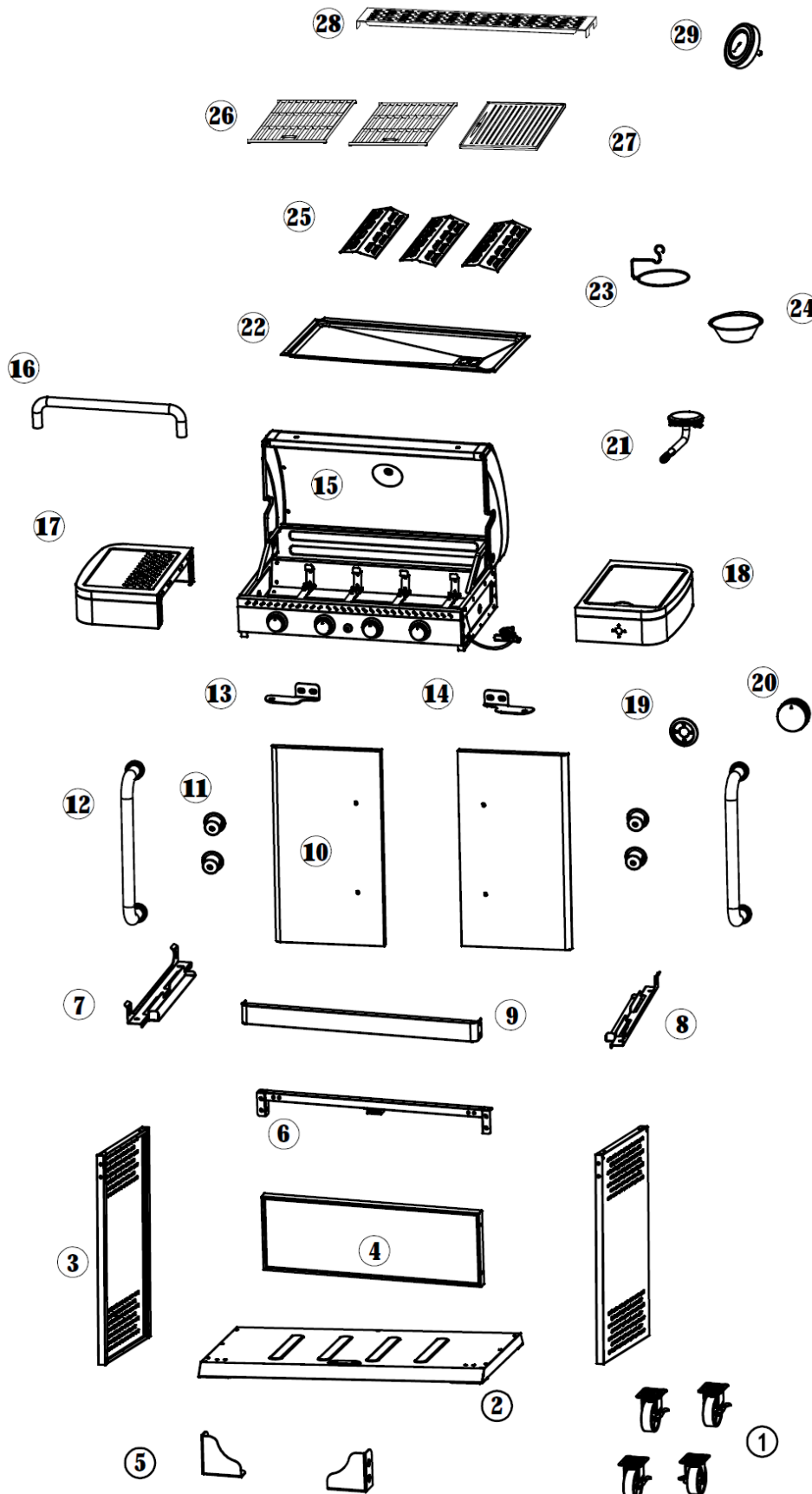


FIDGI 4
















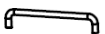


























		 90min
--	--	------------------

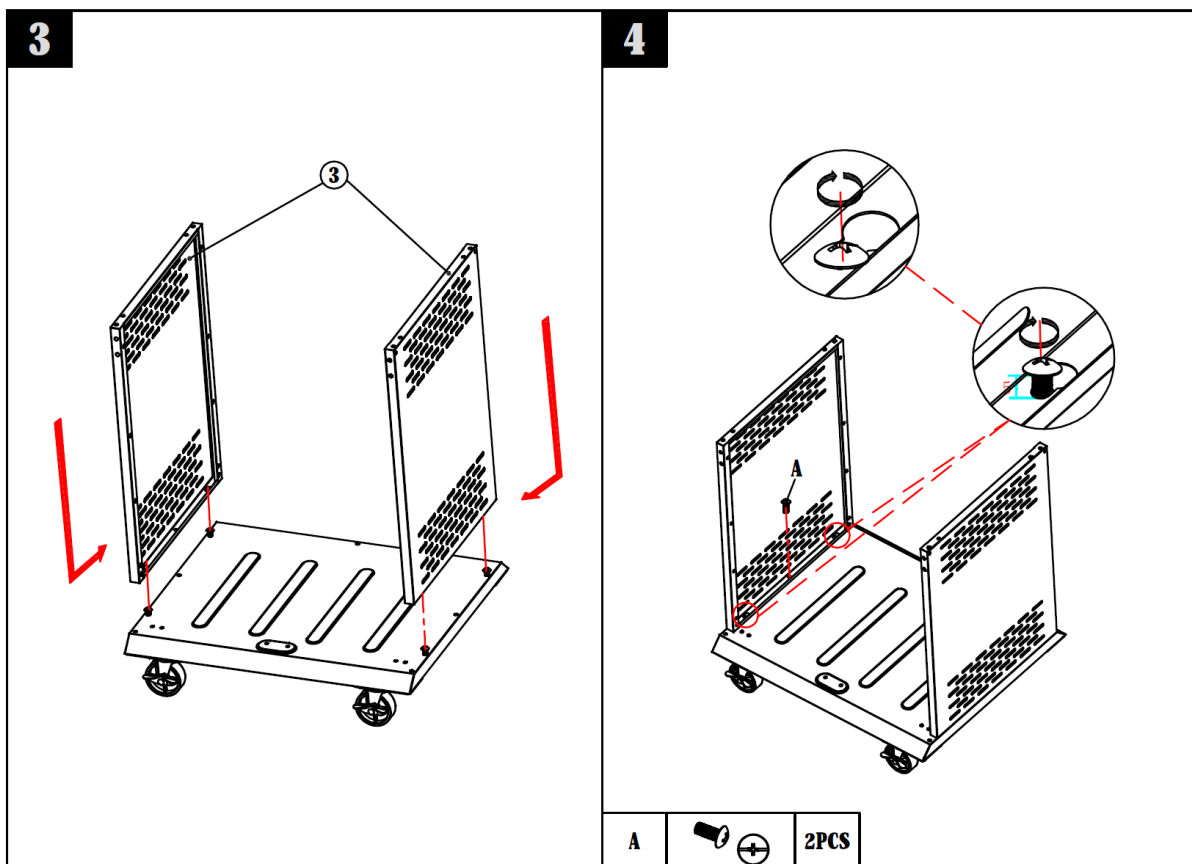
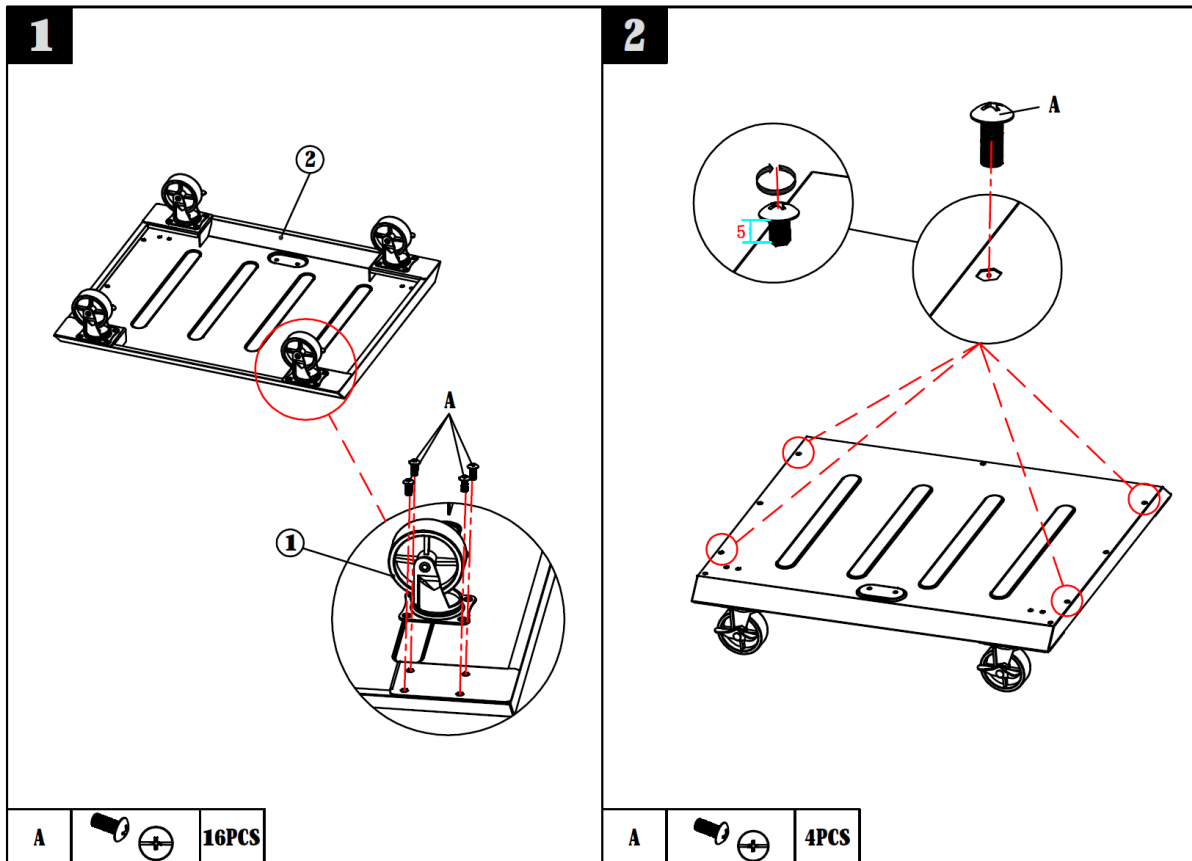
FIDGI 4



FIDGI 4


① *4 	② *1 	③ *2 
④ *1 	⑤ *2 	⑥ *1 
⑦ *1(L) 	⑧ *1(R) 	⑨ *1 
⑩ *2 	⑪ *4 	⑫ *2 
⑬ *1(L) 	⑭ *1(R) 	⑮ *1 
⑯ *1 	⑰ *1 	⑱ *1 
⑲ *1 	⑳ *1 	㉑ *1 
㉒ *1 	㉓ *1 	㉔ *1 
㉕ *3 	㉖ *2 	㉗ *1 
㉘ *1 	㉙ *1 	
A M5-10*49 	B M5-12*10 	C M4-8*6 
D M6-15*4 	E *1 	F *4 
G M4-8*8 	H M4-10*2 	I ϕ 28-2*1 
J M5-16*12 	K *2 	

FIDGI 4




FIDGI 4



5

A  5PCS



6

A  8PCS

7

C  2PCS
E  1PC

8

A  2PCS
B  6PCS

FIDGI 4

9

B

B		4PCS
---	--	------

10

D		4PCS
---	--	------

11

F

F		4PCS
---	--	------

12

FIDGI 4

13

G

14

A

9

G		4PCS	
	A	4PCS	
	G	4PCS	

15

5

J

16

16

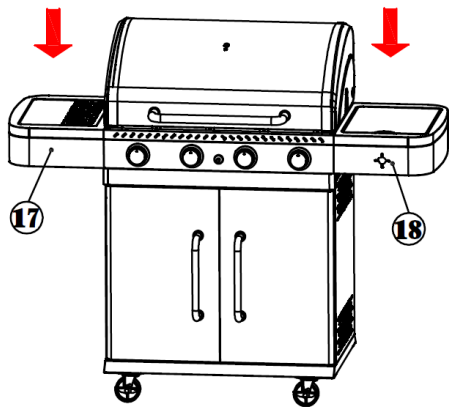
K

J

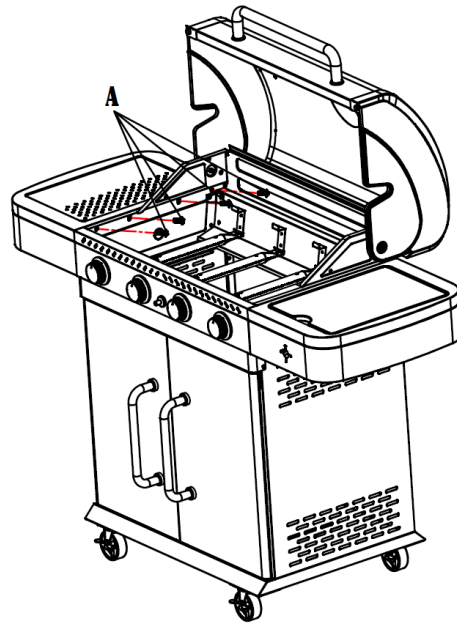
J		4PCS	
	J	2PCS	
	K	2PCS	

FIDGI 4

17

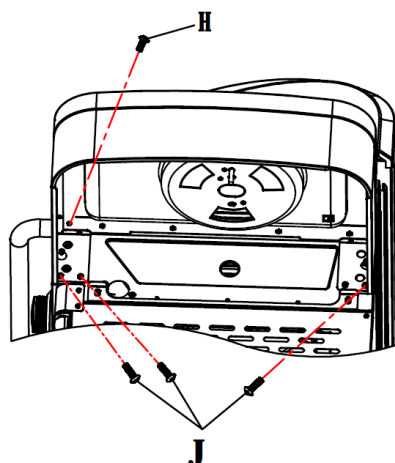


18



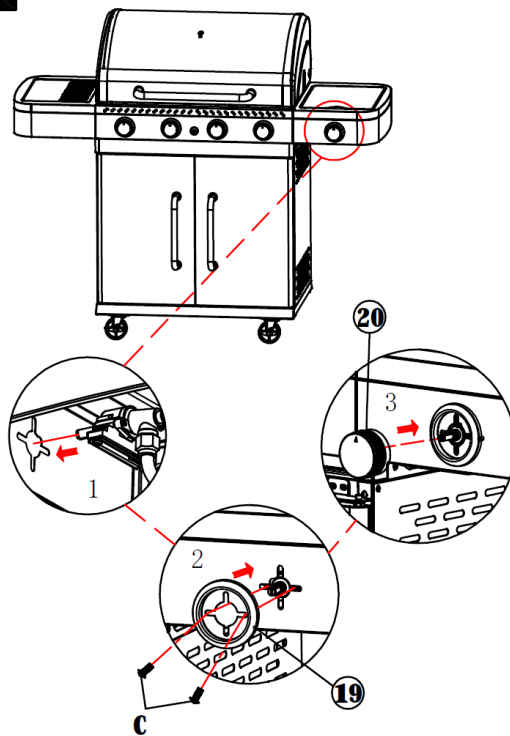
A		8PCS
---	--	------

19

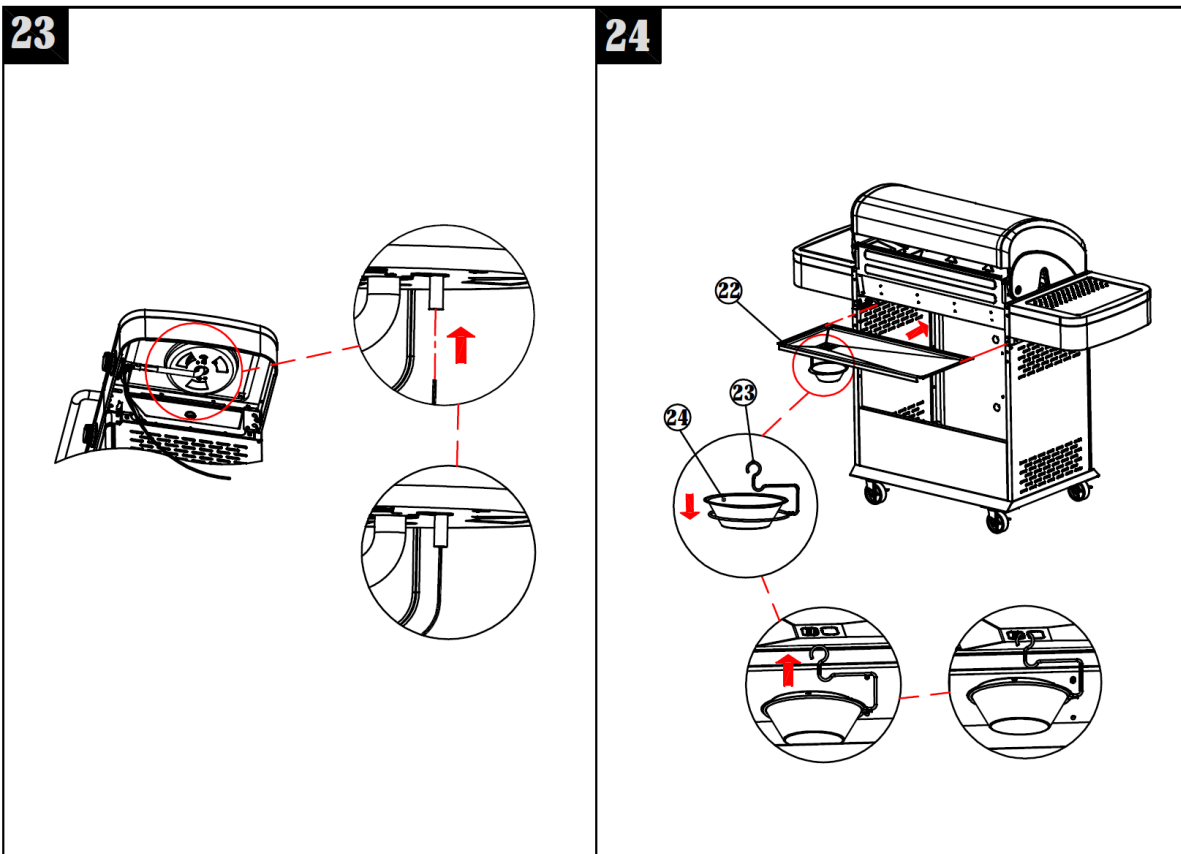
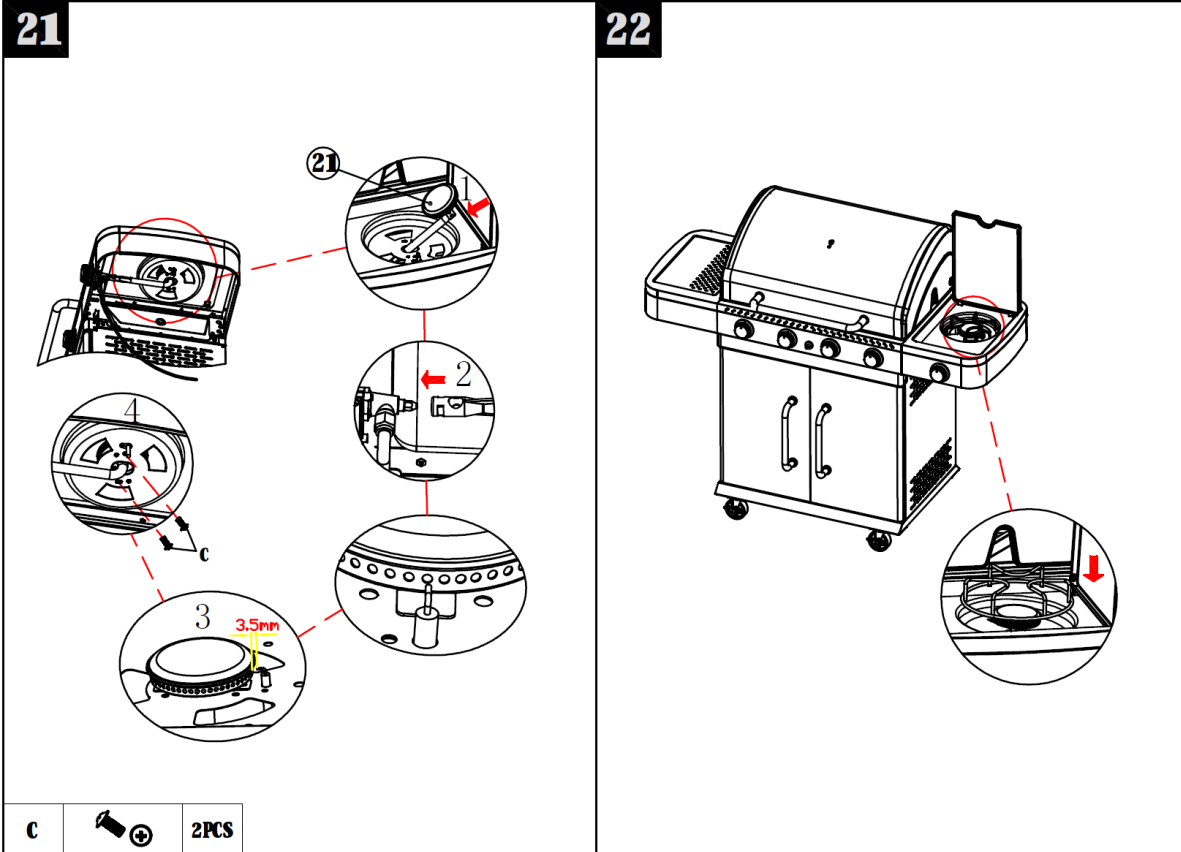


H		2PCS
J		6PCS

20

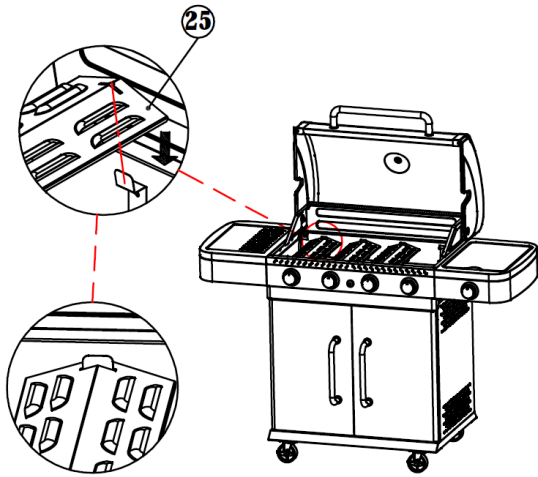


C		2PCS
---	--	------

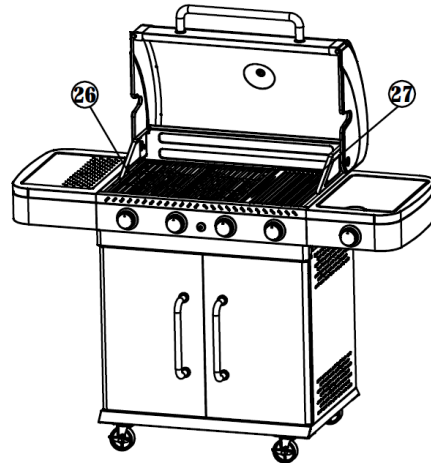


FIDGI 4

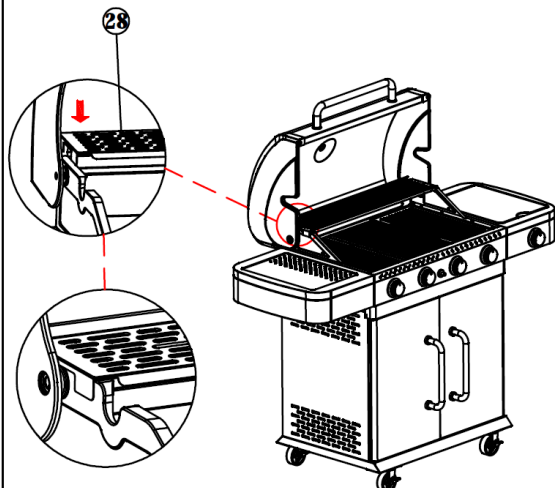
25



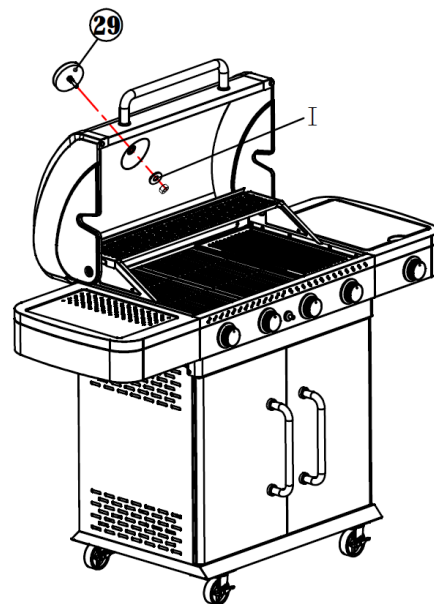
26



27



28



I © IPC

29

