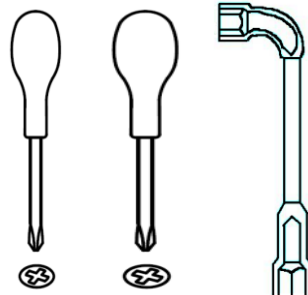
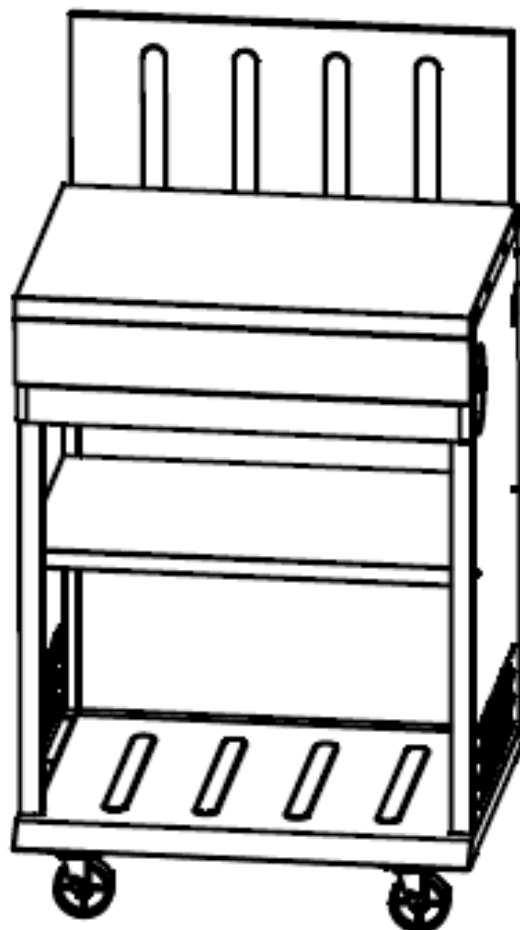
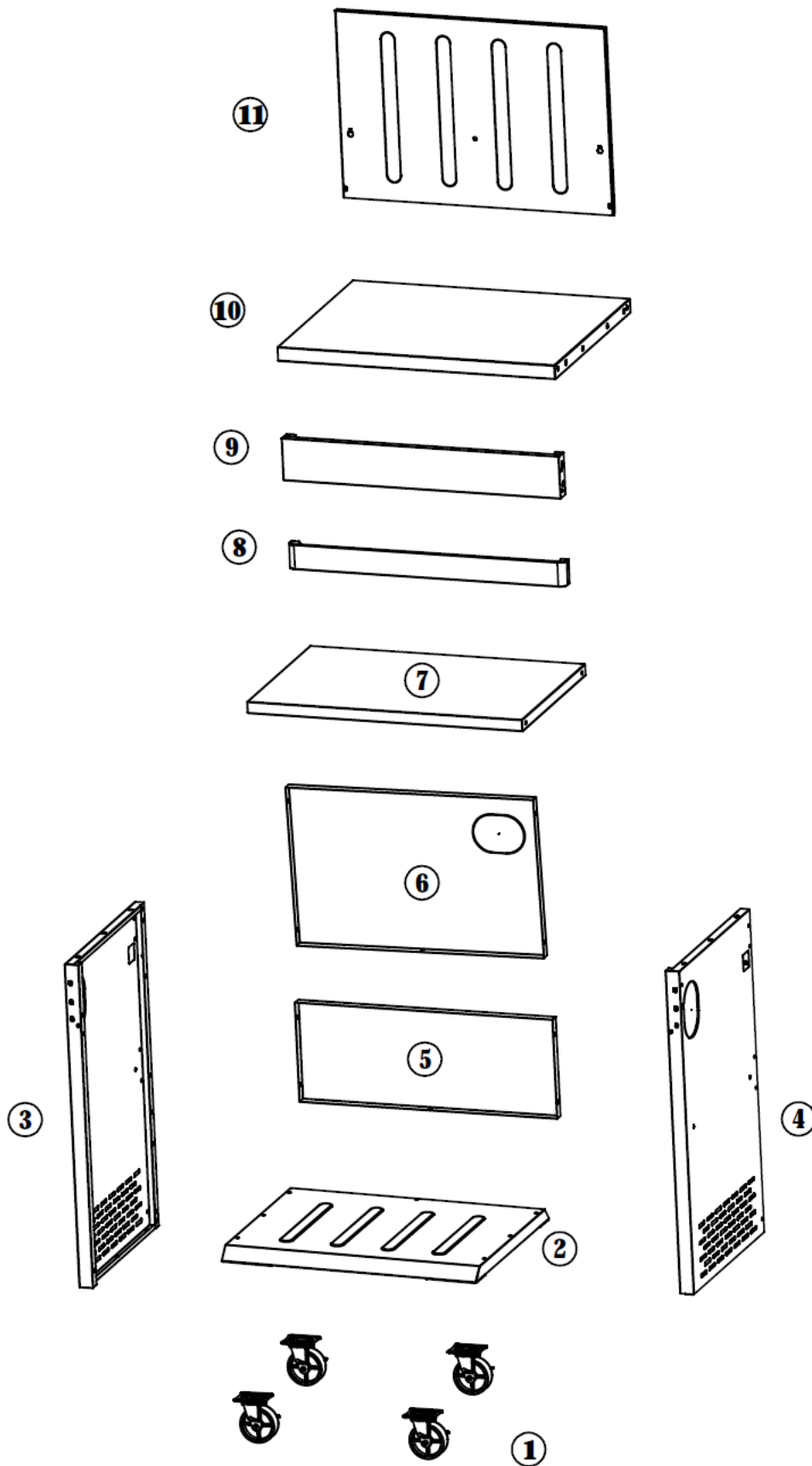




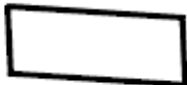
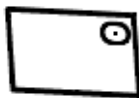


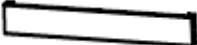
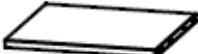

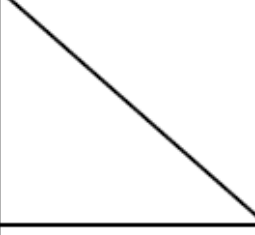




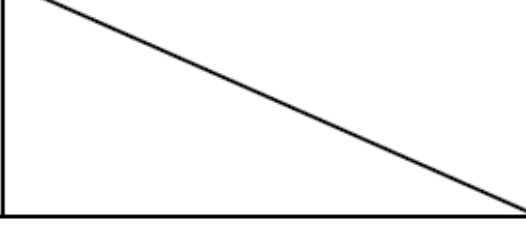


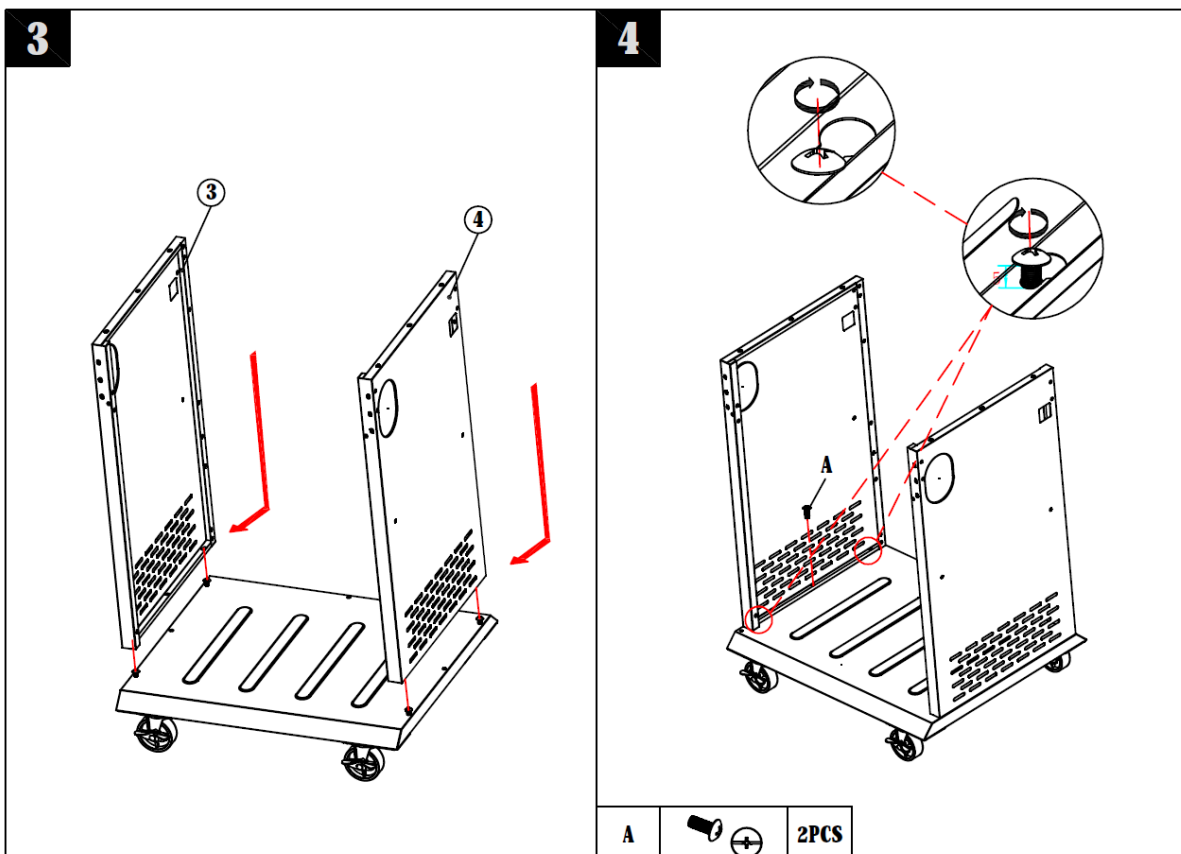
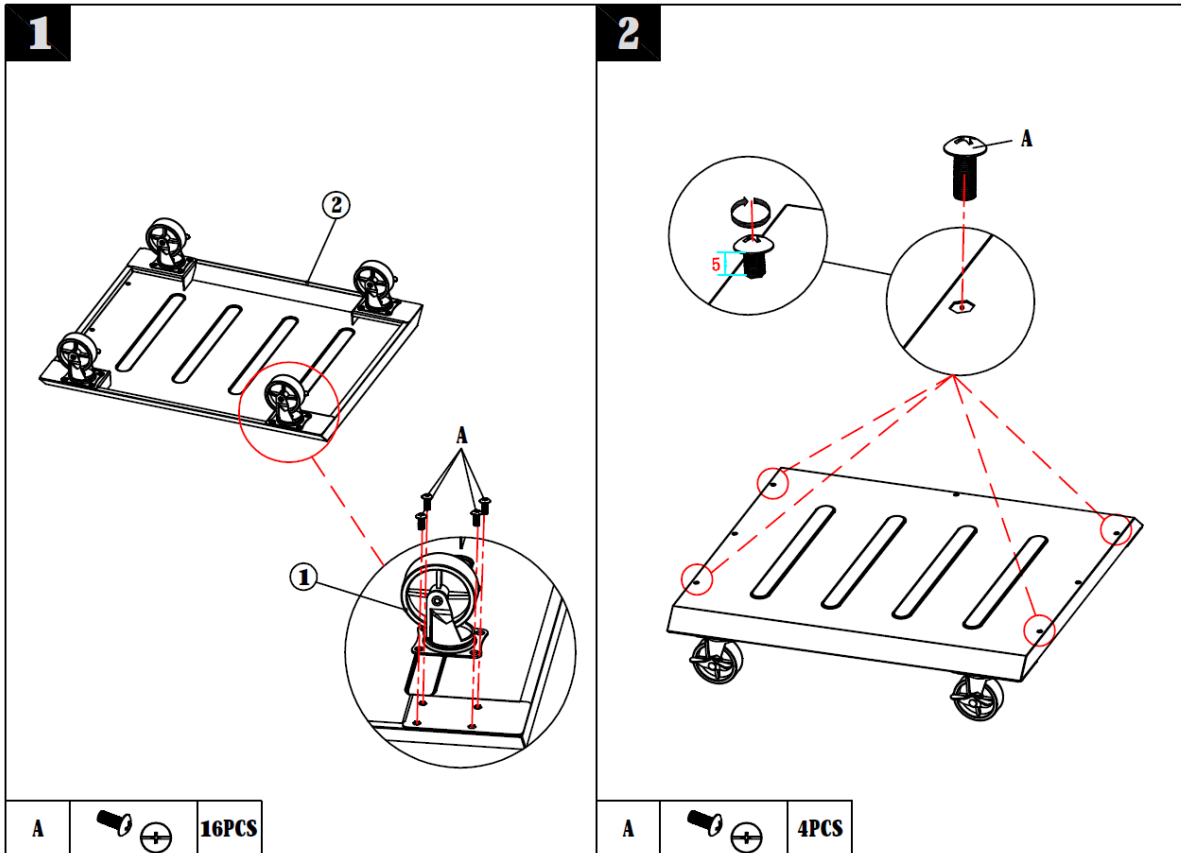
FIDGI



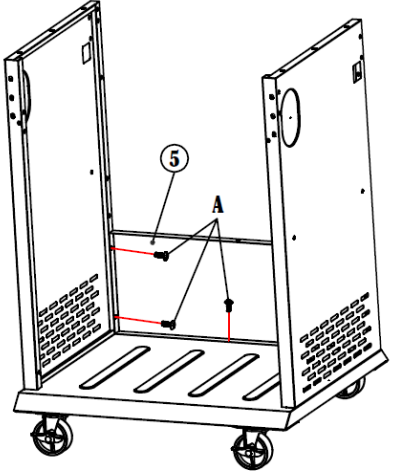
60min




<p>① *4</p> 	<p>② *1</p> 	<p>③ *1(L)</p> 
<p>④ *1(R)</p> 	<p>⑤ *1</p> 	<p>⑥ *1</p> 
<p>⑦ *1</p> 	<p>⑧ *1</p> 	<p>⑨ *1</p> 
<p>⑩ *1</p> 	<p>⑪ *1</p> 	
<p>A M5 - 10*46</p> 	<p>B M5 - 12*4</p> 	<p>C M4 - 8*3</p> 
<p>D M4 - 8*2</p> 		

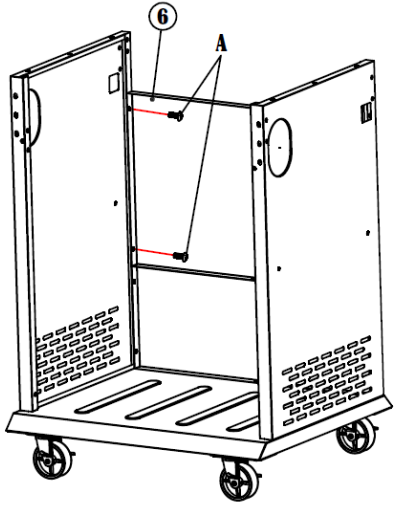



5



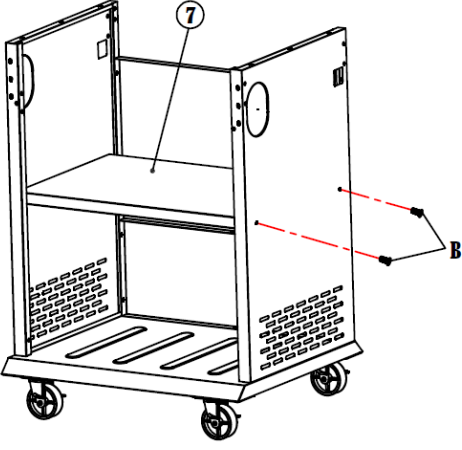
A		5PCS
----------	---	-------------


6



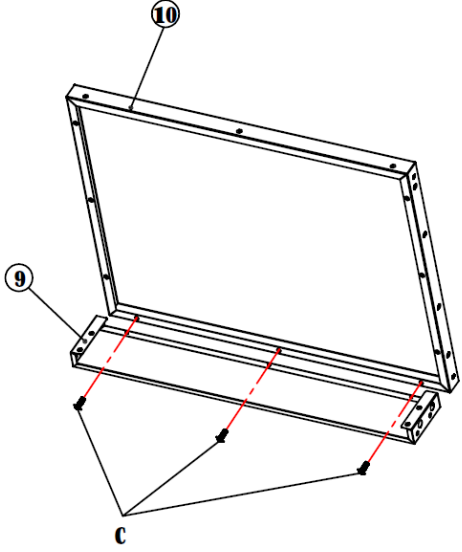
A		4PCS
----------	---	-------------


7

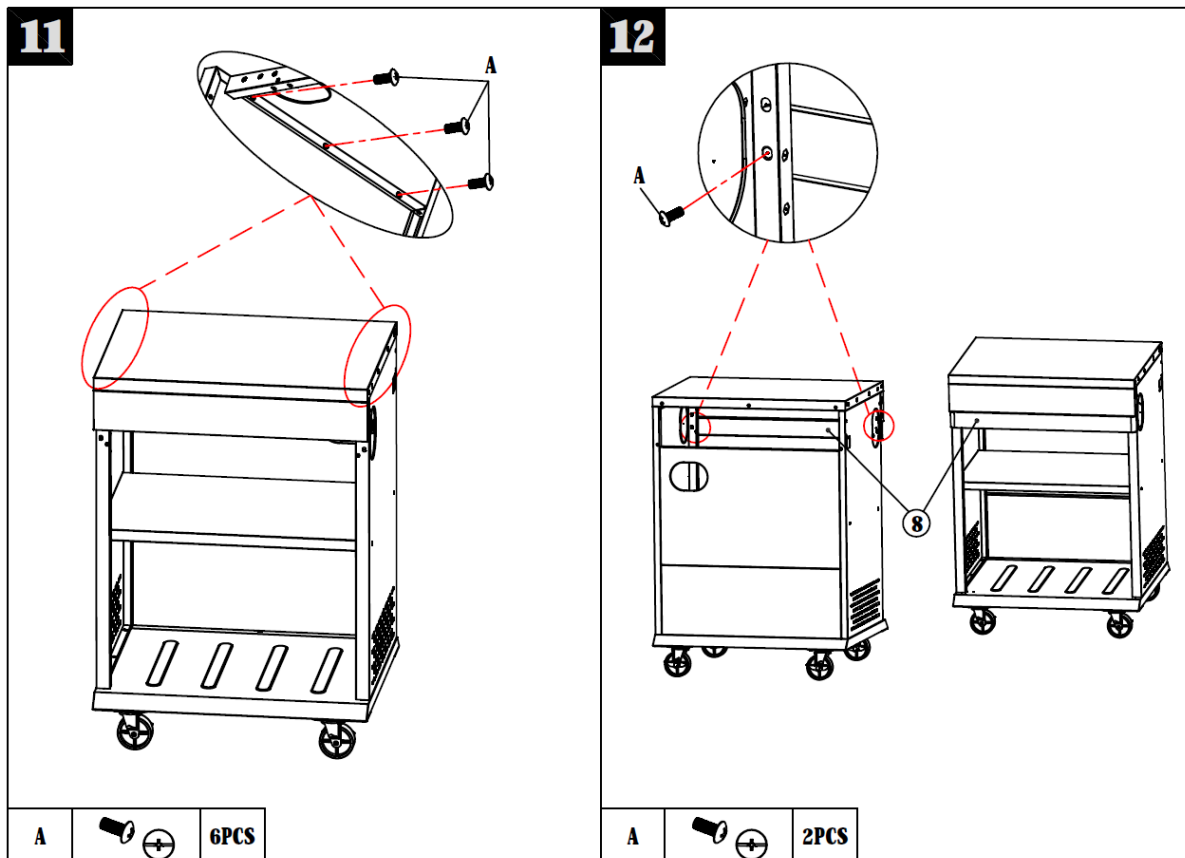
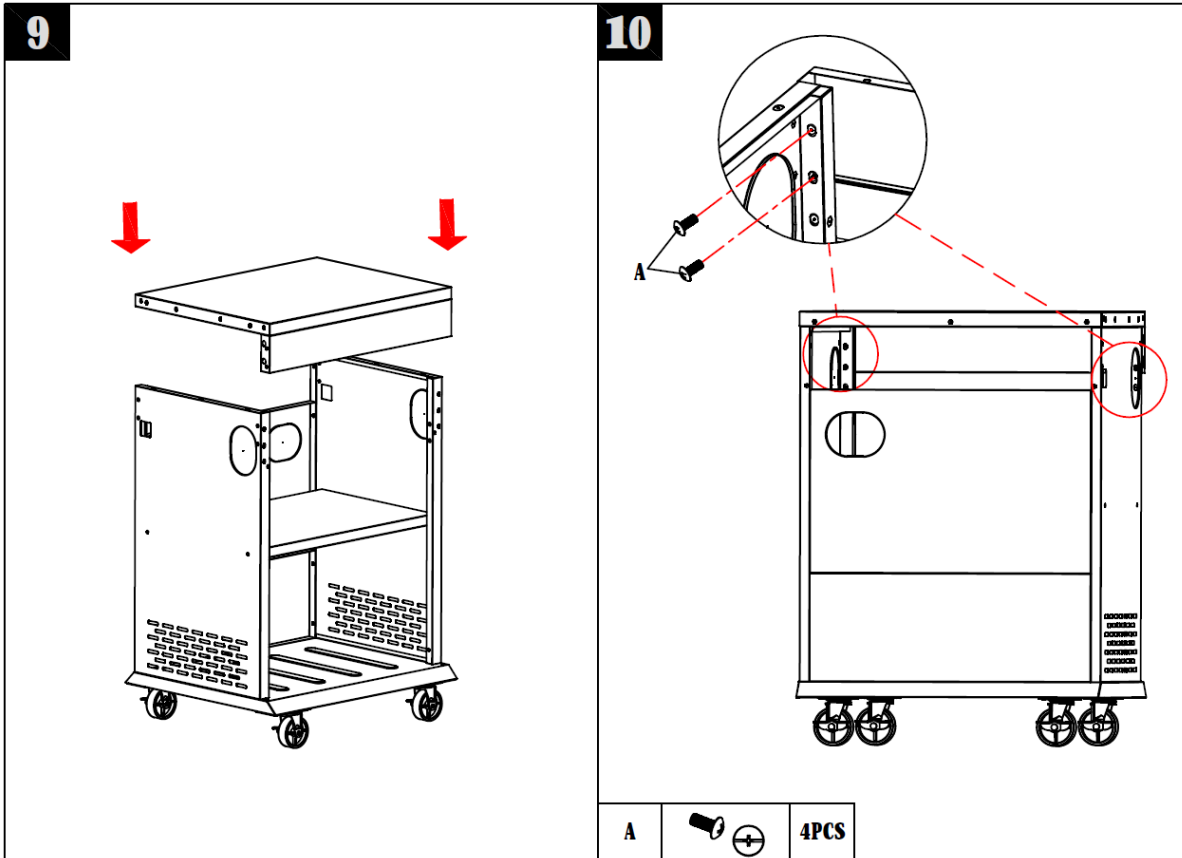


B		4PCS
----------	---	-------------

8



C		3PCS
----------	---	-------------



13

A		2PCS	
---	--	------	--

14

A		1PC	
D		2PCS	