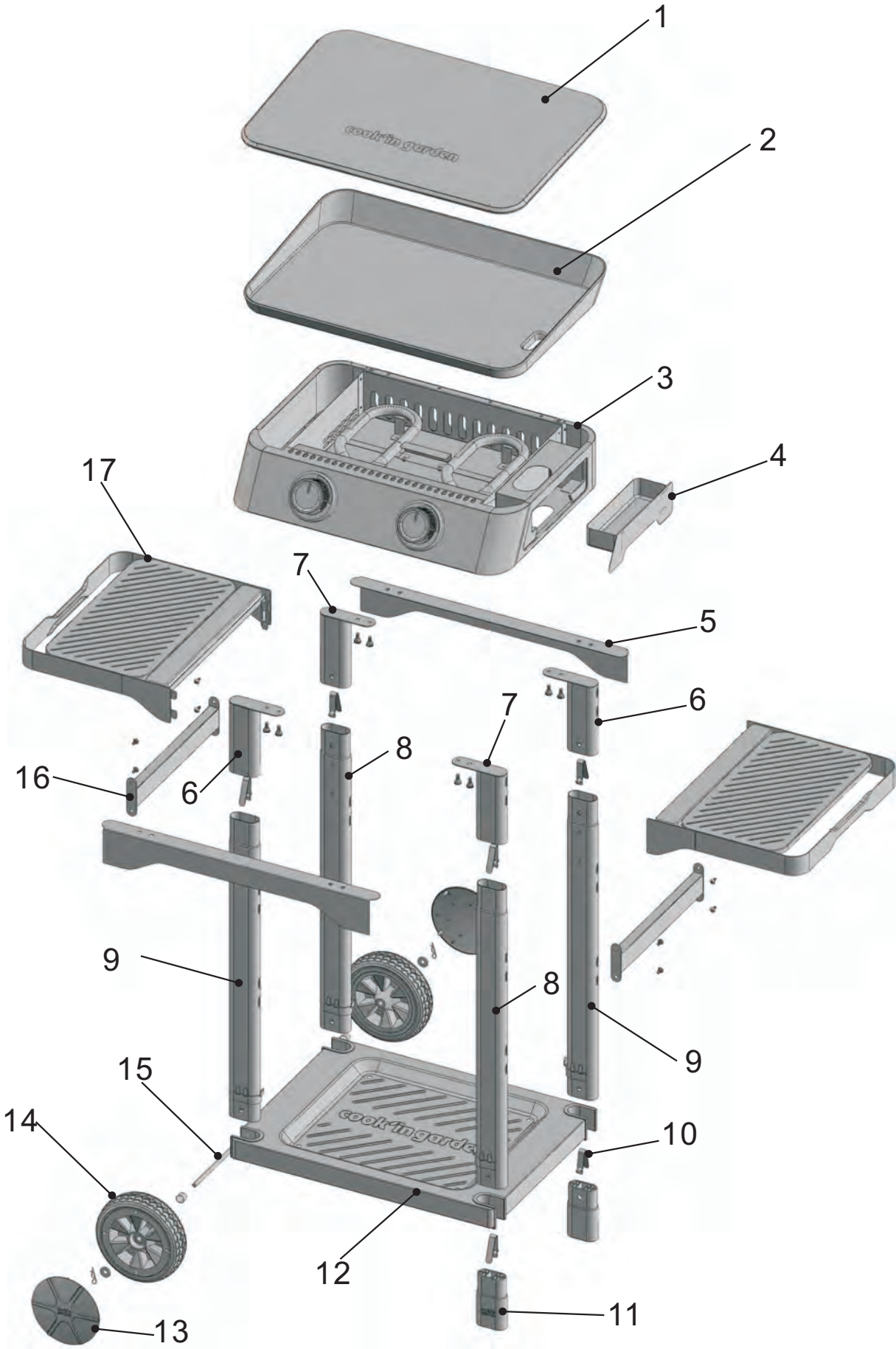







PH2

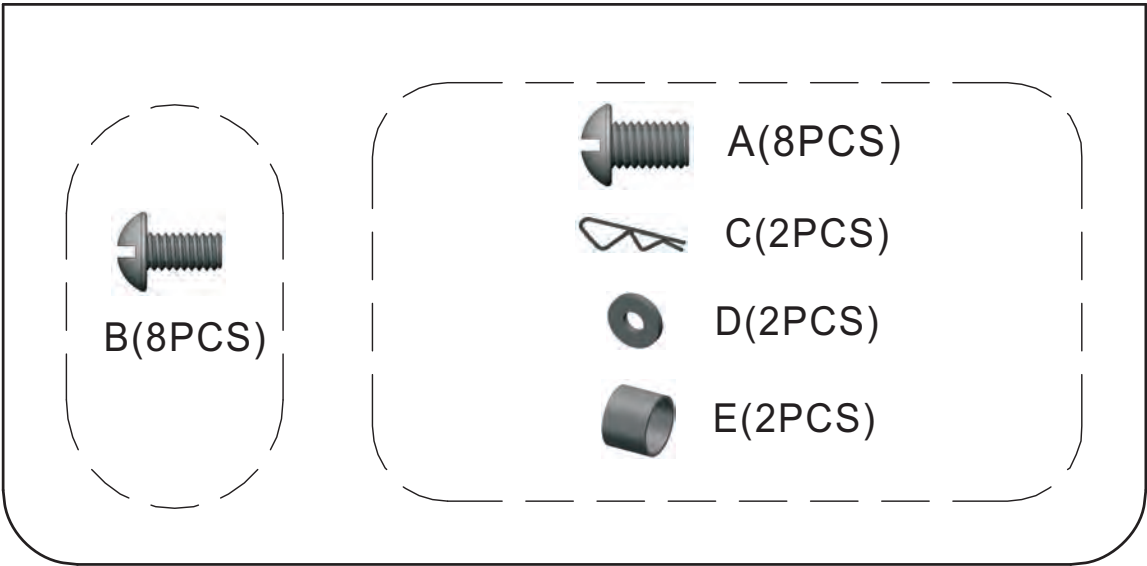




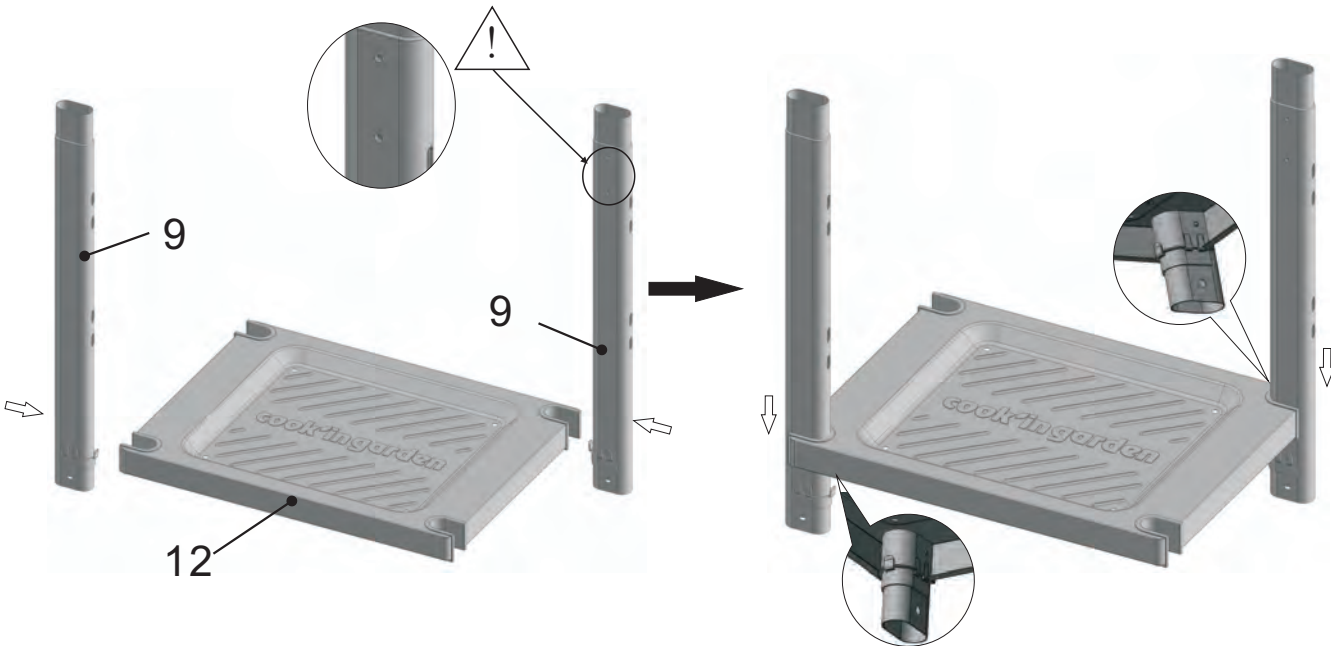
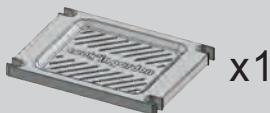
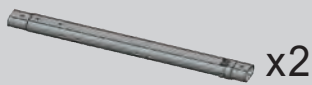
NO.	DESCRIPTION	QTY	NO.	DESCRIPTION	QTY
1		1	10		6
2		1	11		2
3		1	12		1
4		1	13		2
5		2	14		2
6		2	15		1
7		2	16		2
8		2	17		2
9		2			

NO.	DESCRIPTION	SPEC	QTY
A		M6x10	8
B		M5x10	8
C			2
D			2
E			2

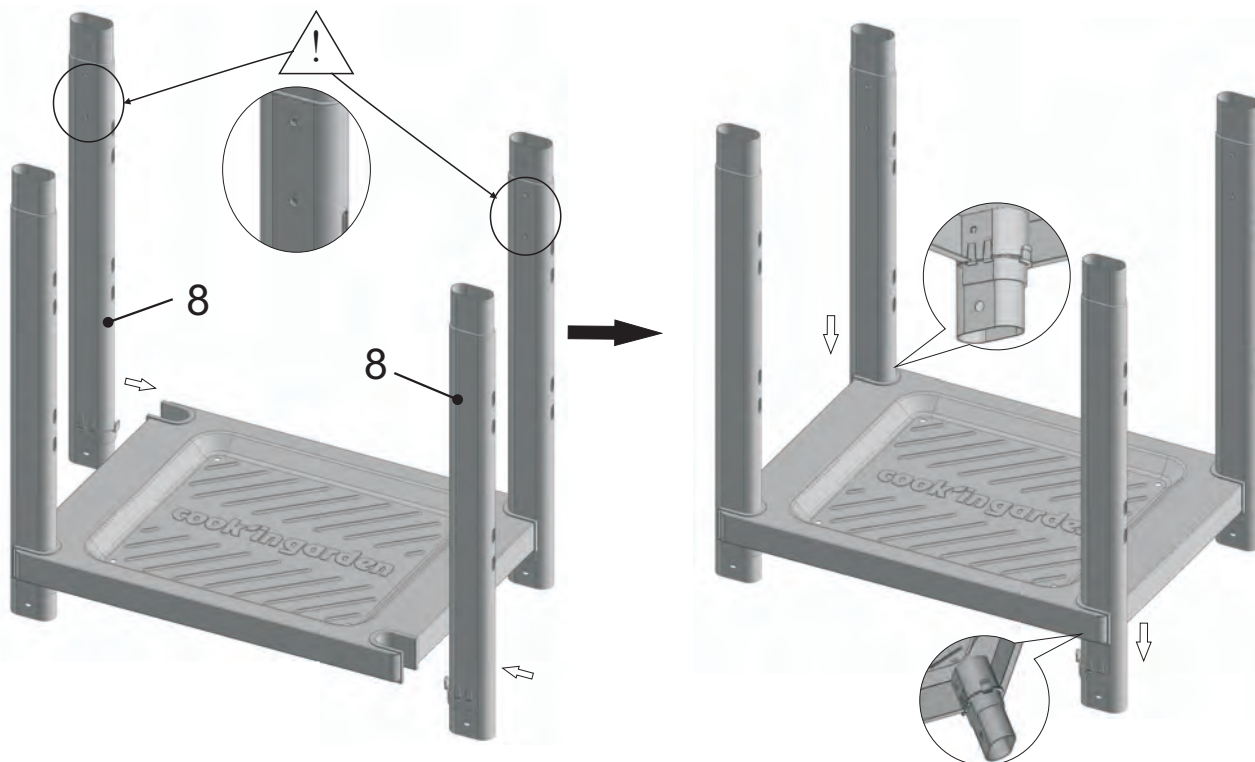
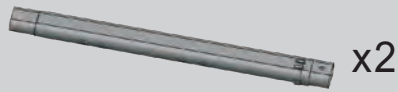
View of blister pack



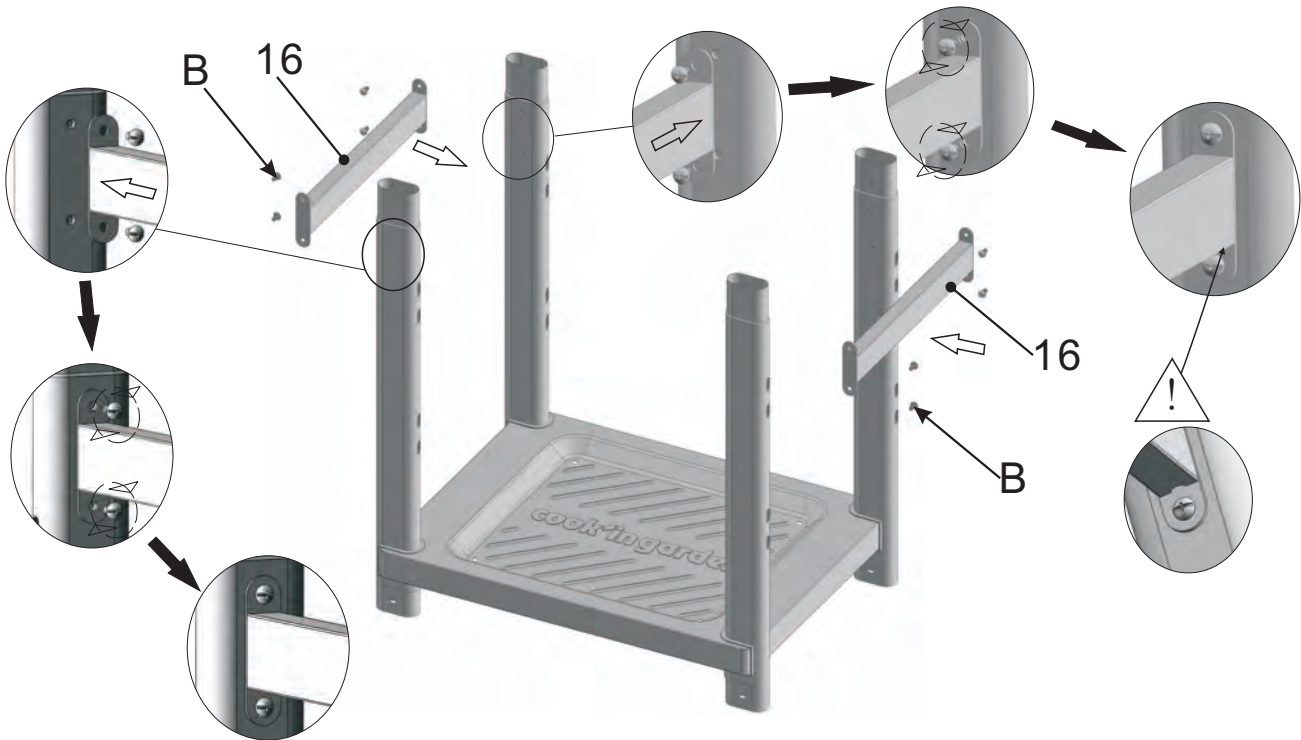
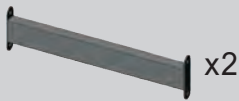
1



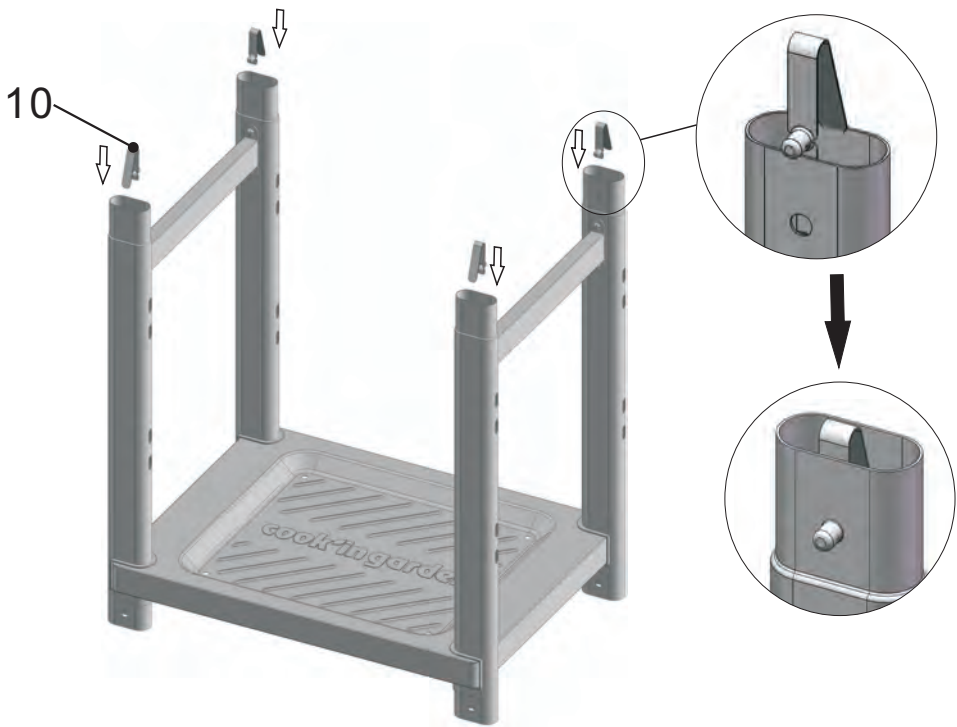
2


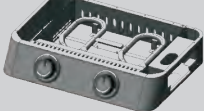

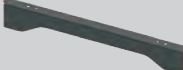



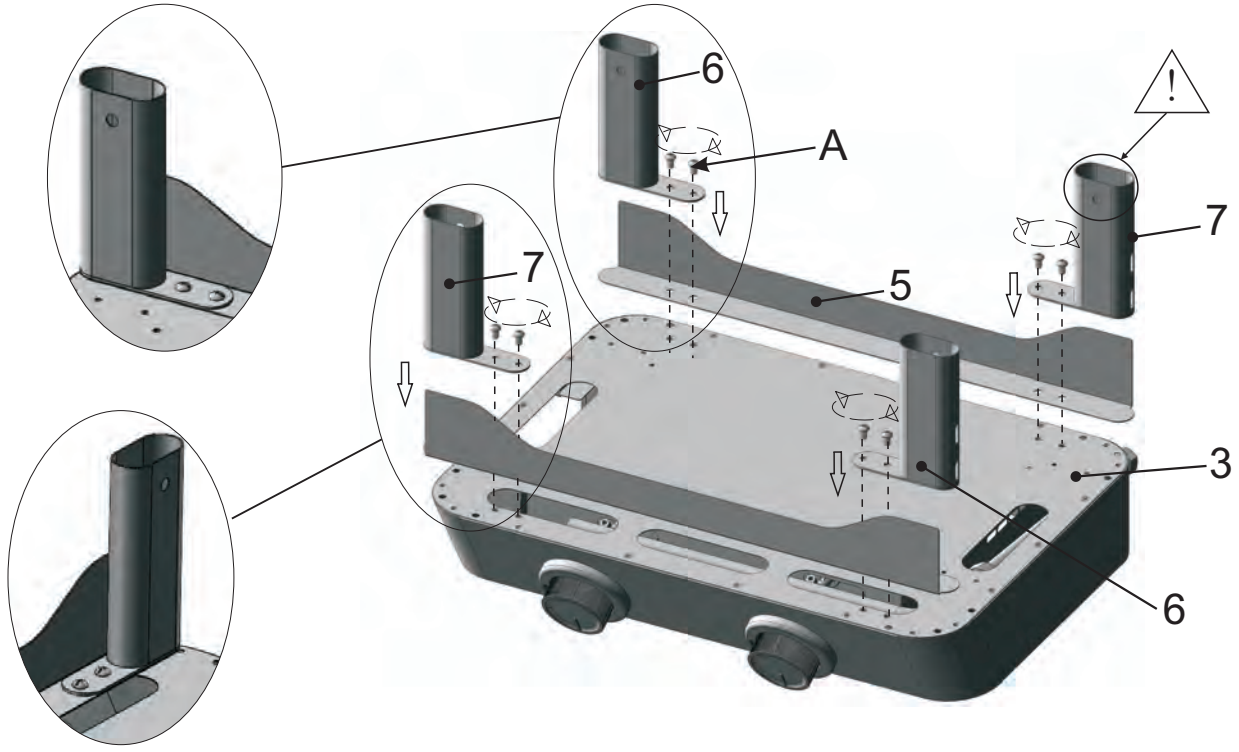
3



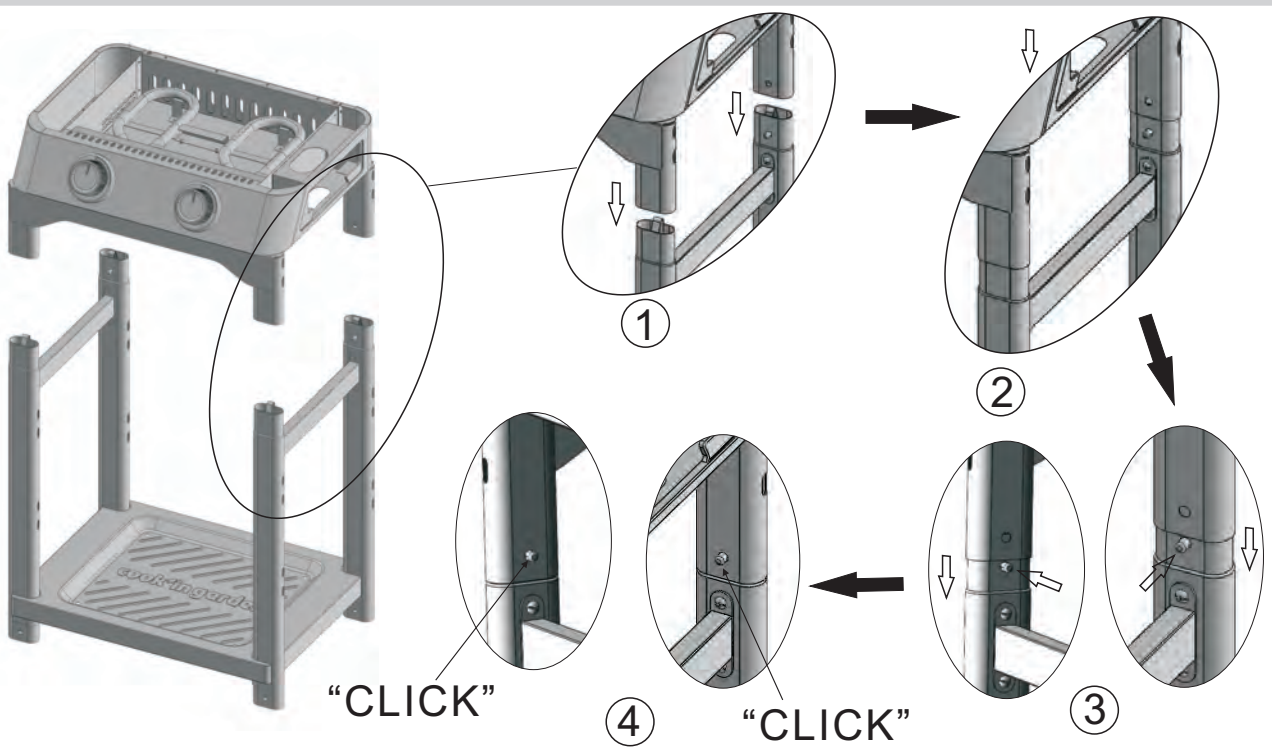
4












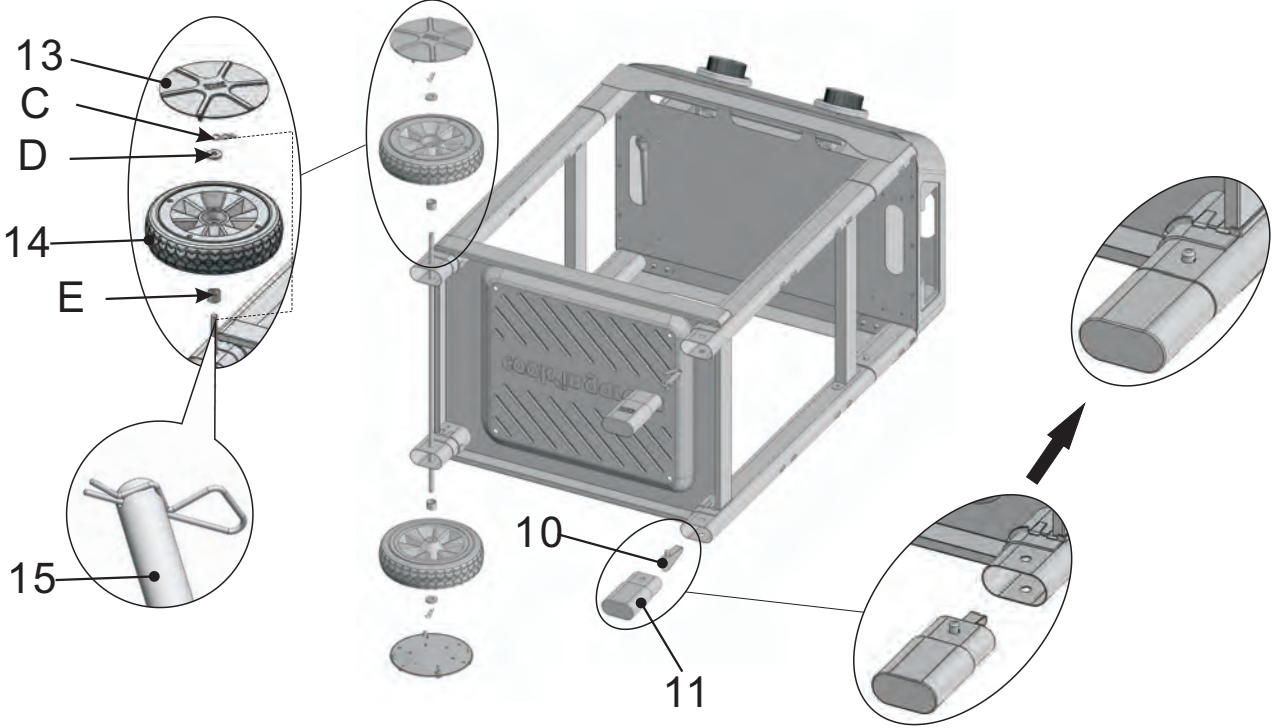
- 5   x1  x2  x2  x2  Ax8  
M6x10





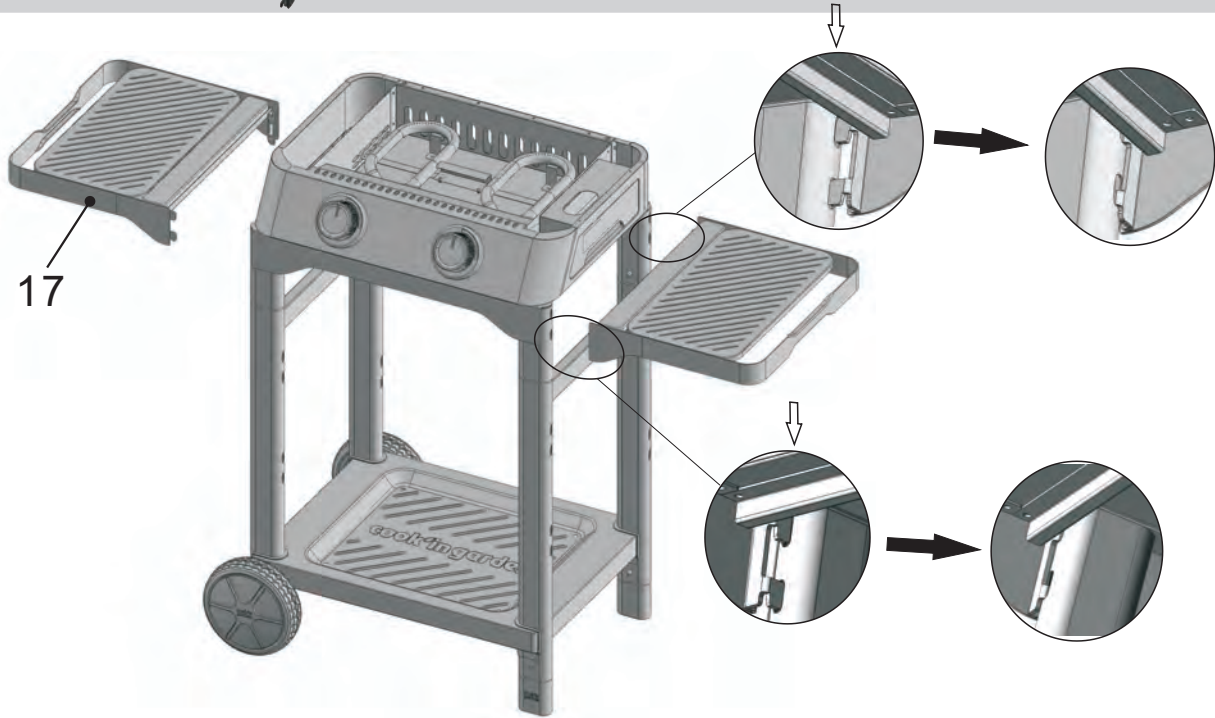
- 6 



- 7   Cx2  x2  Dx2  x2  x2  x1  x2  Ex2

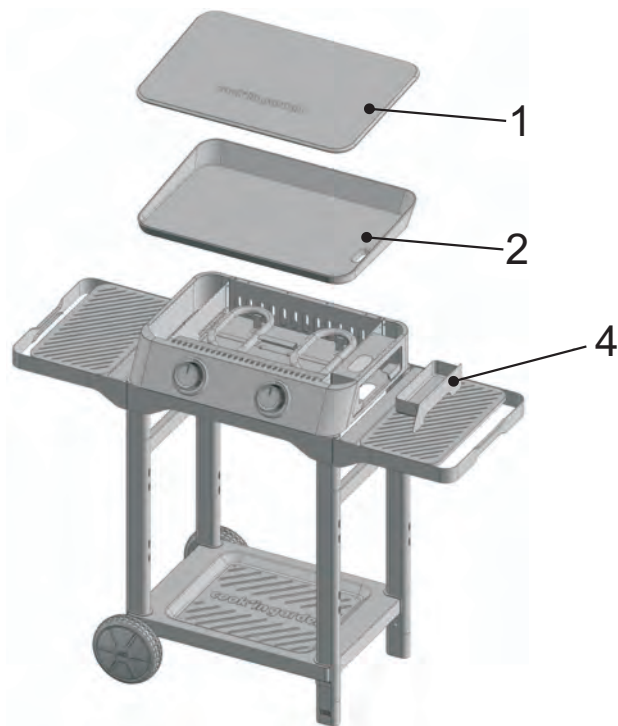
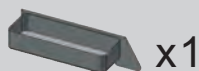
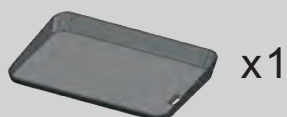
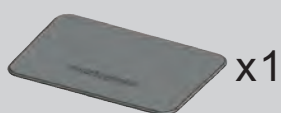


- 8   x2





9



10





